

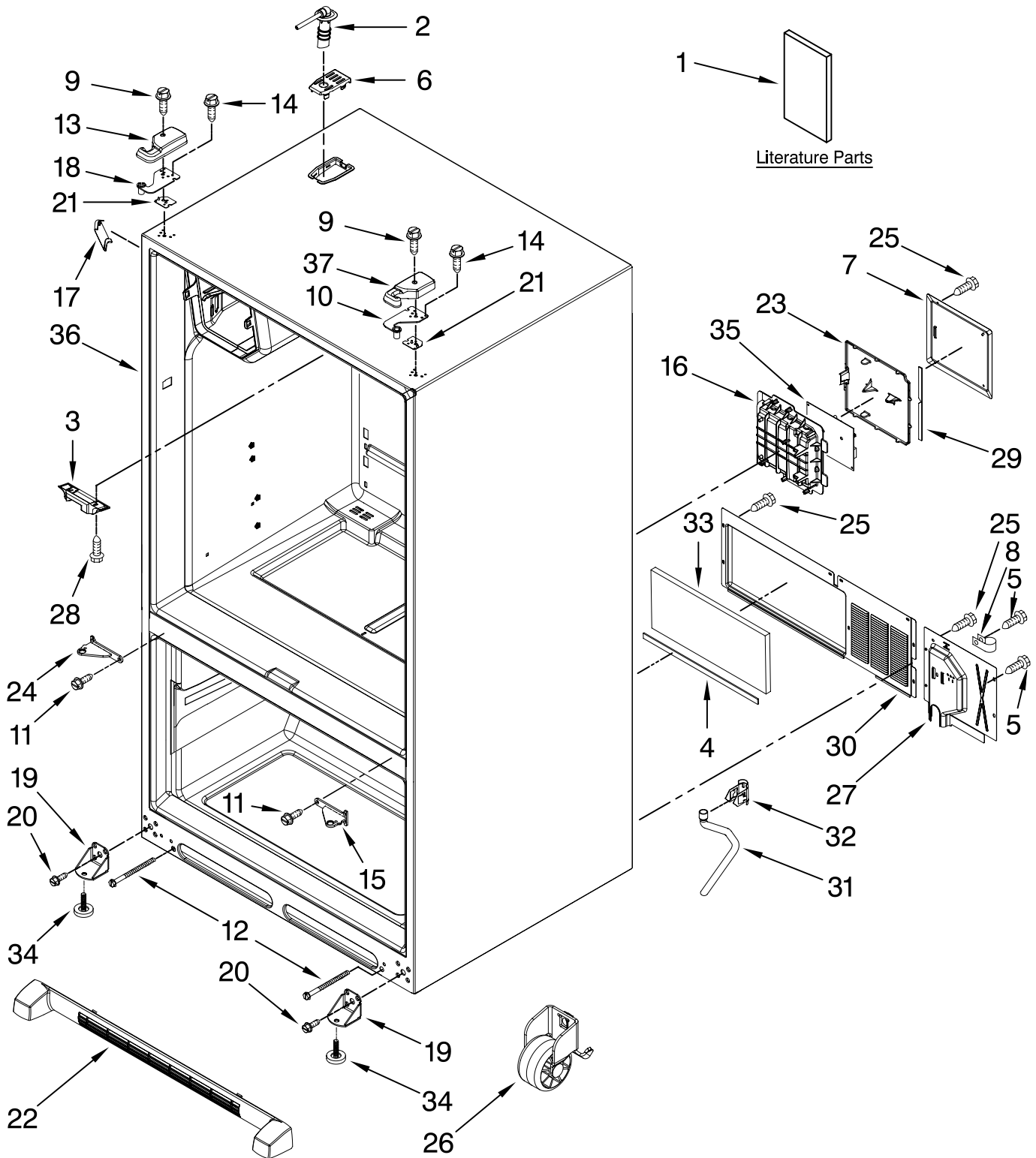
# CABINET PARTS

REFRIGERATOR

For Models: MFI2569VEA10, MFI2569VEB10, MFI2569VEQ10, MFI2569VEM10, MFI2569VEW10  
(Monochromatic Satina) (Black) (Bisque) (Monochromatic Stainless) (White)

## MAYTAG®

The model(s) number shown may be different than what is printed on the model/serial tag of your product. The number(s) shown combine the model number and the first two digits of the serial number from the product tag.



FOR ORDERING INFORMATION REFER TO PARTS PRICE LIST

# CABINET PARTS

For Models: MFI2569VEA10, MFI2569VEB10, MFI2569VEQ10, MFI2569VEM10, MFI2569VEW10  
 (Monochromatic Satina) (Black)      (Bisque) (Monochromatic Stainless) (White)

The model(s) number shown may be different than what is printed on the model/serial tag of your product. The number(s) shown combine the model number and the first two digits of the serial number from the product tag.

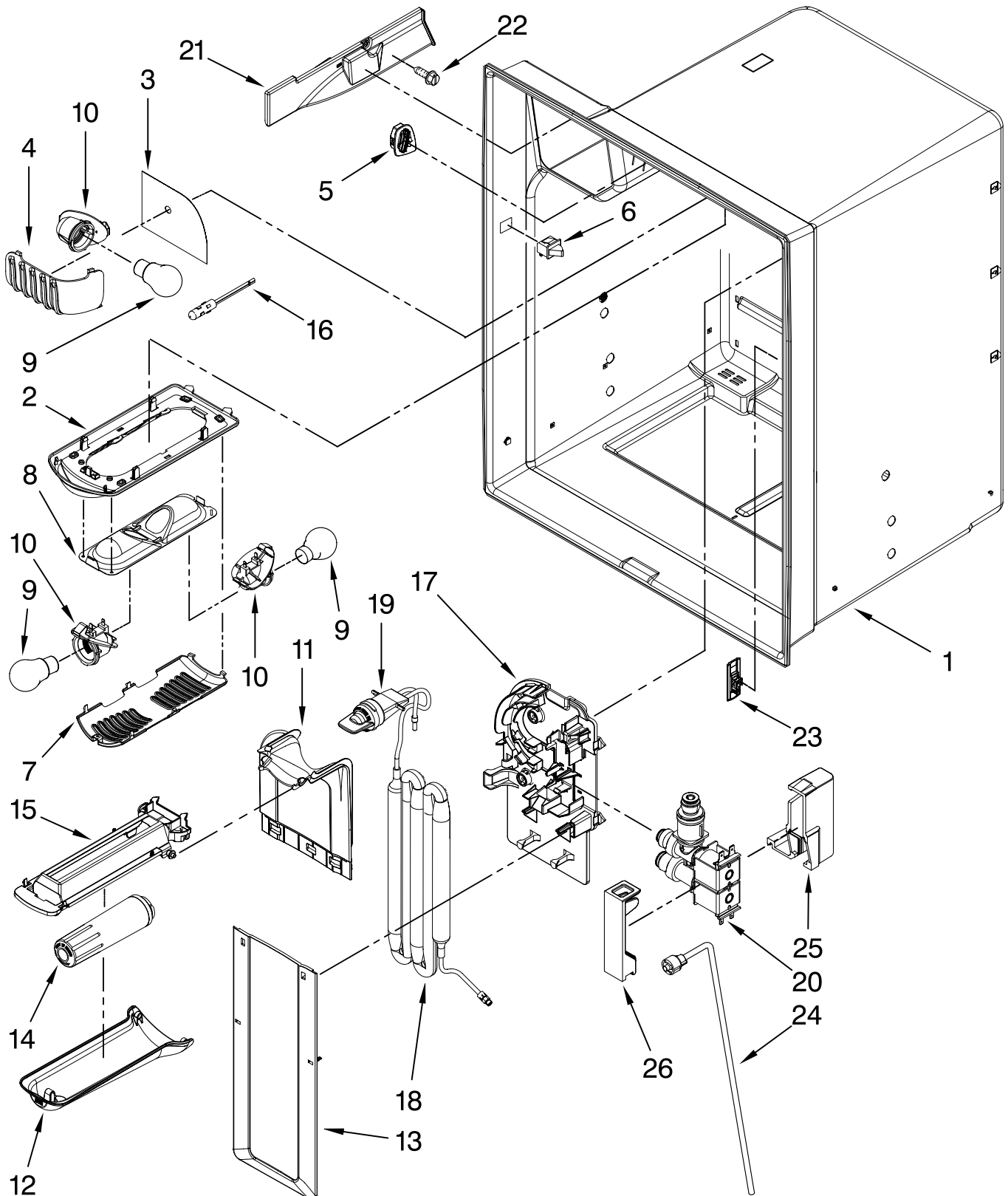
Illus. No.	Part No.	DESCRIPTION	Illus. No.	Part No.	DESCRIPTION	Illus. No.	Part No.	DESCRIPTION
1		Literature Parts	14	67006303	Screw, Top Hinge	24		Hinge, Center (LT)
	W10189628	Tech Sheet	15		Hinge, Center (RT)		67006277	White
	W10200530	Use & Care Guide		67006379	White		67006442	Black
	W10185602	Tag, Energy		67006443	Black		W10191142	Apollo Grey
	16026312	Service Manual		W10191143	Apollo Grey	25	12990702	Screw, Cover
2	67006317	Tube W/Waterline, Fill-IM	16	67006390	Box, HV Control	26	67006118	Roller Assy. (2)
3	67003405	Block, Pivot	17		Cover, Corner (2)	27	67006426	Cover, Water Valve
4	B5759649	Gasket, MC Back		67003484	White	28	67006626	Screw, Block
5	67006425	Screw (3)		67003485	Black	29	67006429	Gasket, HV Control
6		Cover, Fill Tube		67003486	Bisque	30	12575101ED	Cover, MC Back
	67006320	Black		W10191102	Apollo Grey	31	W10164397	Tube, Drain
	67006321	White	18	67005950	Hinge, Top Left	32	W10157973	Clip, Drain Tube
	W10191141	Apollo Grey	19	67007174	Bracket, Foot Cabinet (2)	33	67003796	Fiber, Acoustic
7	67006427	Cover, Control Box	20	67006564	Screw (8)	34	67003868	Brake, Foot
8	M0108105	Clamp, Tube	21		Shim, Top Hinge	35	W10191108	Board, HV Control
9	67006521	Screw, Hinge Cover		67006308	Left	36		Cabinet (Not a Servicable Part)
10	67005955	Hinge, Top Right		67006309	Right	37		Cover, Top Hinge (Right)
11	67006380	Screw, Center Hinge	22		Grille, Toe		67005956	Black
12	67006611	Bolt, Roller Adj.		67006375	Black		67005957	Bisque
13		Cover, Top Hinge (Left)		67006376	Bisque		67005958	White
	67005951	Black		67006377	White		W10191117	Apollo Grey
	67005952	Bisque	23	67006428	Lid, HV Control			
	67005953	White						
	W10191116	Apollo Grey						

FOR ORDERING INFORMATION REFER TO PARTS PRICE LIST

# REFRIGERATOR LINER PARTS

For Models: MFI2569VEA10, MFI2569VEB10, MFI2569VEQ10, MFI2569VEM10, MFI2569VEW10  
(Monochromatic Satina) (Black) (Bisque) (Monochromatic Stainless) (White)

The model(s) number shown may be different than what is printed on the model/serial tag of your product. The number(s) shown combine the model number and the first two digits of the serial number from the product tag.



FOR ORDERING INFORMATION REFER TO PARTS PRICE LIST

# REFRIGERATOR LINER PARTS

For Models: MFI2569VEA10, MFI2569VEB10, MFI2569VEQ10, MFI2569VEM10, MFI2569VEW10  
 (Monochromatic Satina) (Black) (Bisque) (Monochromatic Stainless) (White)

The model(s) number shown may be different than what is printed on the model/serial tag of your product. The number(s) shown combine the model number and the first two digits of the serial number from the product tag.

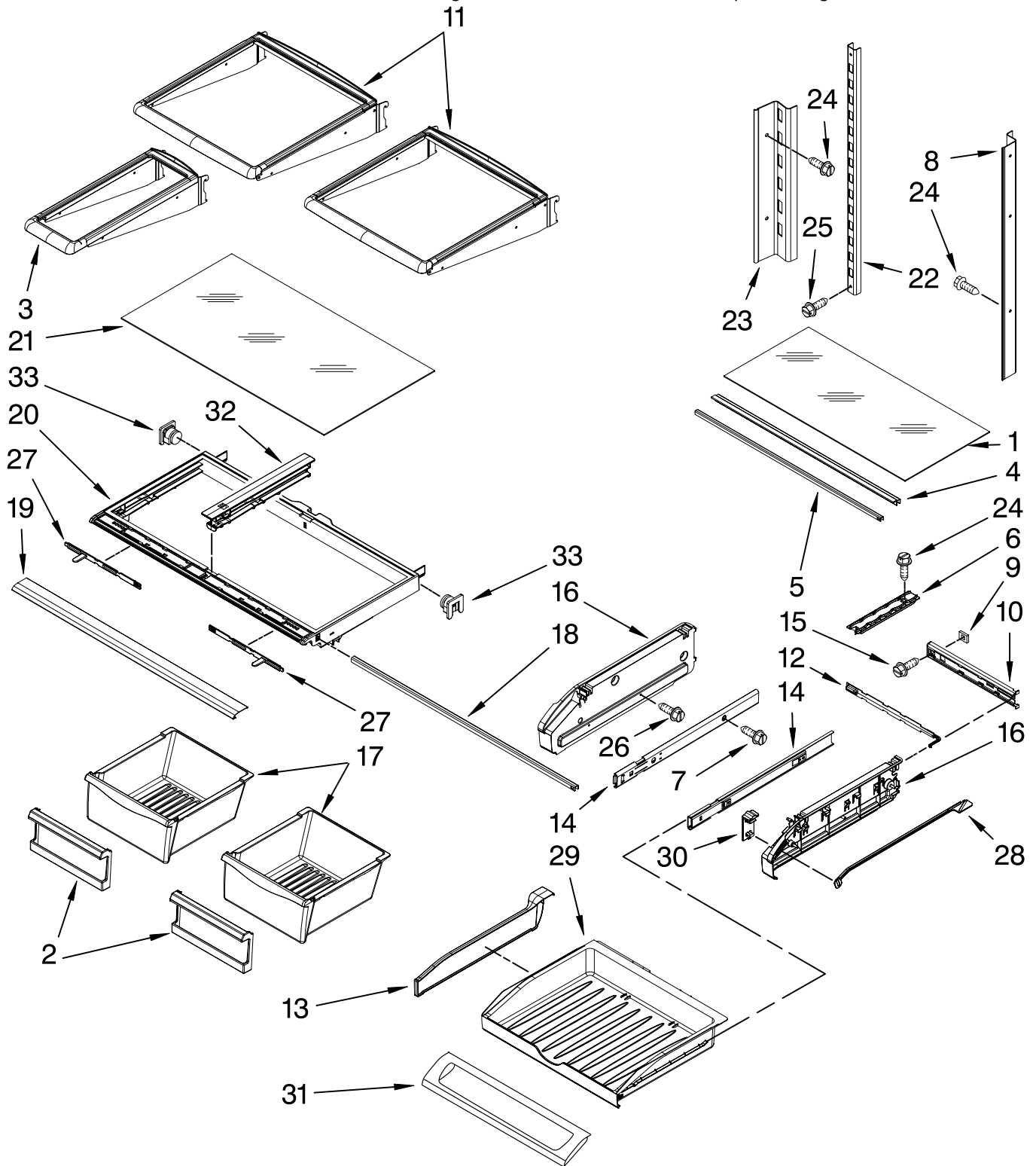
<b>Illus. No.</b>	<b>Part No.</b>	<b>DESCRIPTION</b>
1		Liner (Not A Serviceable Part)
2	67006328	Module, Light
3	67006326	Foil, Light
4	67006327	Cover, Light
5	67006316	Grille, Air
6	12466103	Switch, Light (2)
7	67006318	Cover, Light
8	67003901	Housing, Light
9	A0282812	Bulb, Light
10	Y12570701	Socket, Light
11	67006330	Cover, Water Tank (Upper)
12	67006331	Lid, Water Filter
13	67006329	Cover, Water Tank (Lower)
14	UKF8001AXX	Filter, Water
15	67006325	Bracket, Filter Base
16	12002355	Thermistor
17	67006324	Bracket, Water Tank & Valve
18	12956202	Water Tank & Head Assembly
19	12664501	Plug, Bypass
20	67006322	Valve, Water Inlet
21	67006350	Cover, Ice Box Harness
22	M0238642	Screw
23	67006319	Cover, Chiller Vent
24	12962204	Waterline, Cabinet (W/Nut)
25	W10118193	Enclosure, Water Valve Connector
26	W10118194	Lid, Enclosure

FOR ORDERING INFORMATION REFER TO PARTS PRICE LIST

# SHELF PARTS

For Models: MFI2569VEA10, MFI2569VEB10, MFI2569VEQ10, MFI2569VEM10, MFI2569VEW10  
(Monochromatic Satina) (Black) (Bisque) (Monochromatic Stainless) (White)

The model(s) number shown may be different than what is printed on the model/serial tag of your product. The number(s) shown combine the model number and the first two digits of the serial number from the product tag.



FOR ORDERING INFORMATION REFER TO PARTS PRICE LIST

# SHELF PARTS

For Models: MFI2569VEA10, MFI2569VEB10, MFI2569VEQ10, MFI2569VEM10, MFI2569VEW10  
 (Monochromatic Satina) (Black)      (Bisque) (Monochromatic Stainless) (White)

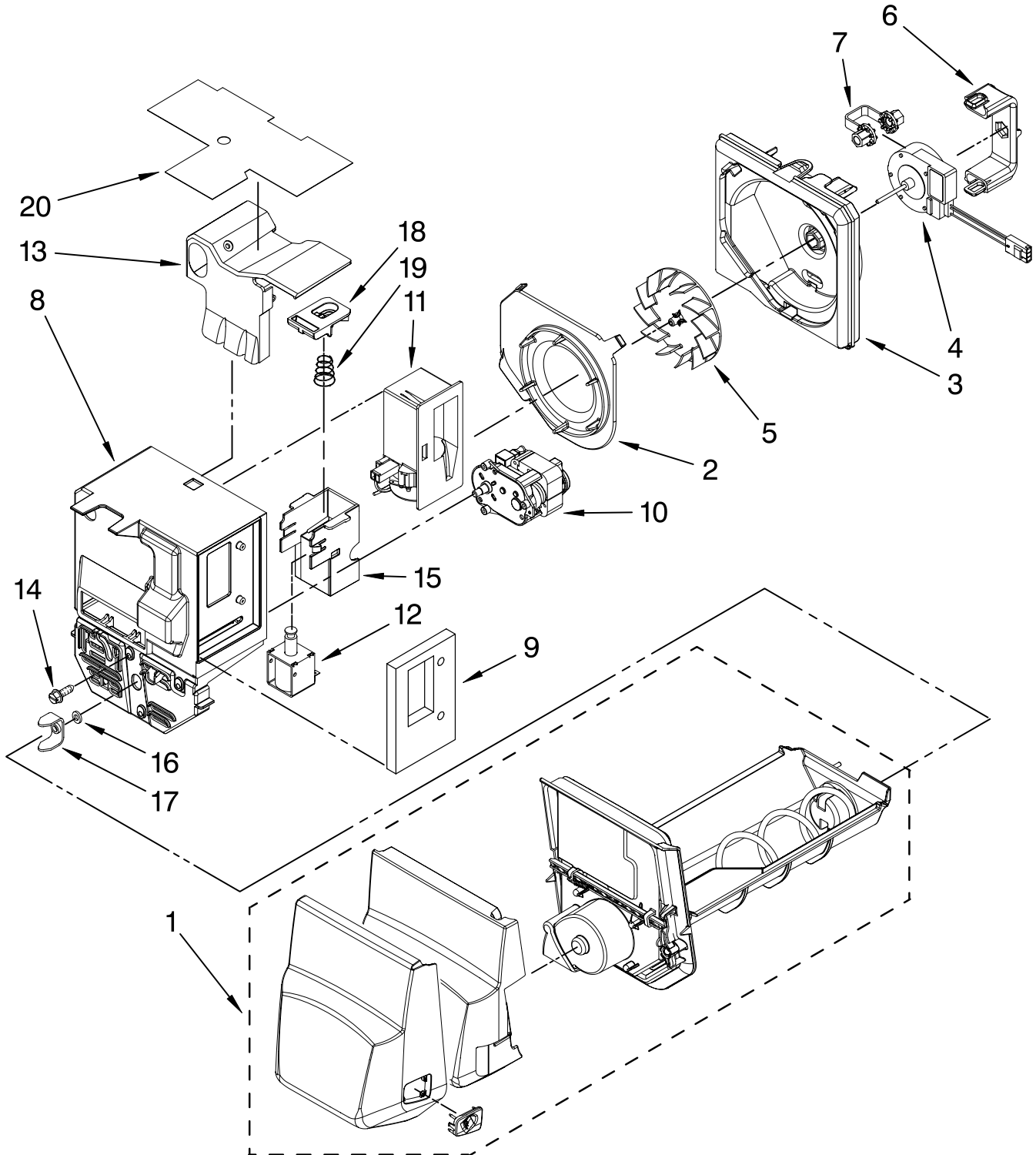
The model(s) number shown may be different than what is printed on the model/serial tag of your product. The number(s) shown combine the model number and the first two digits of the serial number from the product tag.

Illus. No.	Part No.	DESCRIPTION	Illus. No.	Part No.	DESCRIPTION	Illus. No.	Part No.	DESCRIPTION
1	67002761	Glass, Pantry	14	67007026	Glide, Drawer (2)	26	67006415	Screw
2	67005923	Front, Crisper Pan (2)	15	67006400	Screw	27	67005864	Slide, Humidity Control
3	W10187852	Shelf, Mini (Stationary)	16	67005863	Endcap, Pantry Left	28	67003795	Rod, Temperature Control
4	67006010	Extr, Glass Support (2)		67005858	Right	29	67003531	Drawer, Pantry
5	67002330	Brace, Pantry (2)	17	67004515	Pan, Crisper (2)	30	67003791	Knob, Temperature Control
6	67001719	Track, Pantry	18	67002748	Brace, Crisper Cover	31	67005903	Door, Pantry Drawer
7	67006287	Screw	19	67004510	Trim, Crisper	32	67004514	Rail, Center Crisper Frame
8	W10165909	Ladder, Side	20	67003854	Frame, Crisper	33	12603701	Supports, Crisper Frame
9	67002329	Gasket, Pantry	21	67006704	Glass, Crisper Cover			
10	67005625	Housing, Control	22	67006358	Ladder, Center			
11	67006351	Shelf, Glide (2)	23	67006354	Ladder, Side			
12	67003793	Slide, Temperature	24	67006400	Screw			
13	67002759	Divider, Pantry Drawer	25	67006360	Screw (2)			

# MOTOR AND ICE CONTAINER PARTS

For Models: MFI2569VEA10, MFI2569VEB10, MFI2569VEQ10, MFI2569VEM10, MFI2569VEW10  
(Monochromatic Satina) (Black) (Bisque) (Monochromatic Stainless) (White)

The model(s) number shown may be different than what is printed on the model/serial tag of your product. The number(s) shown combine the model number and the first two digits of the serial number from the product tag.



FOR ORDERING INFORMATION REFER TO PARTS PRICE LIST

# MOTOR AND ICE CONTAINER PARTS

For Models: MFI2569VEA10, MFI2569VEB10, MFI2569VEQ10, MFI2569VEM10, MFI2569VEW10  
 (Monochromatic Satina) (Black) (Bisque) (Monochromatic Stainless) (White)

The model(s) number shown may be different than what is printed on the model/serial tag of your product. The number(s) shown combine the model number and the first two digits of the serial number from the product tag.

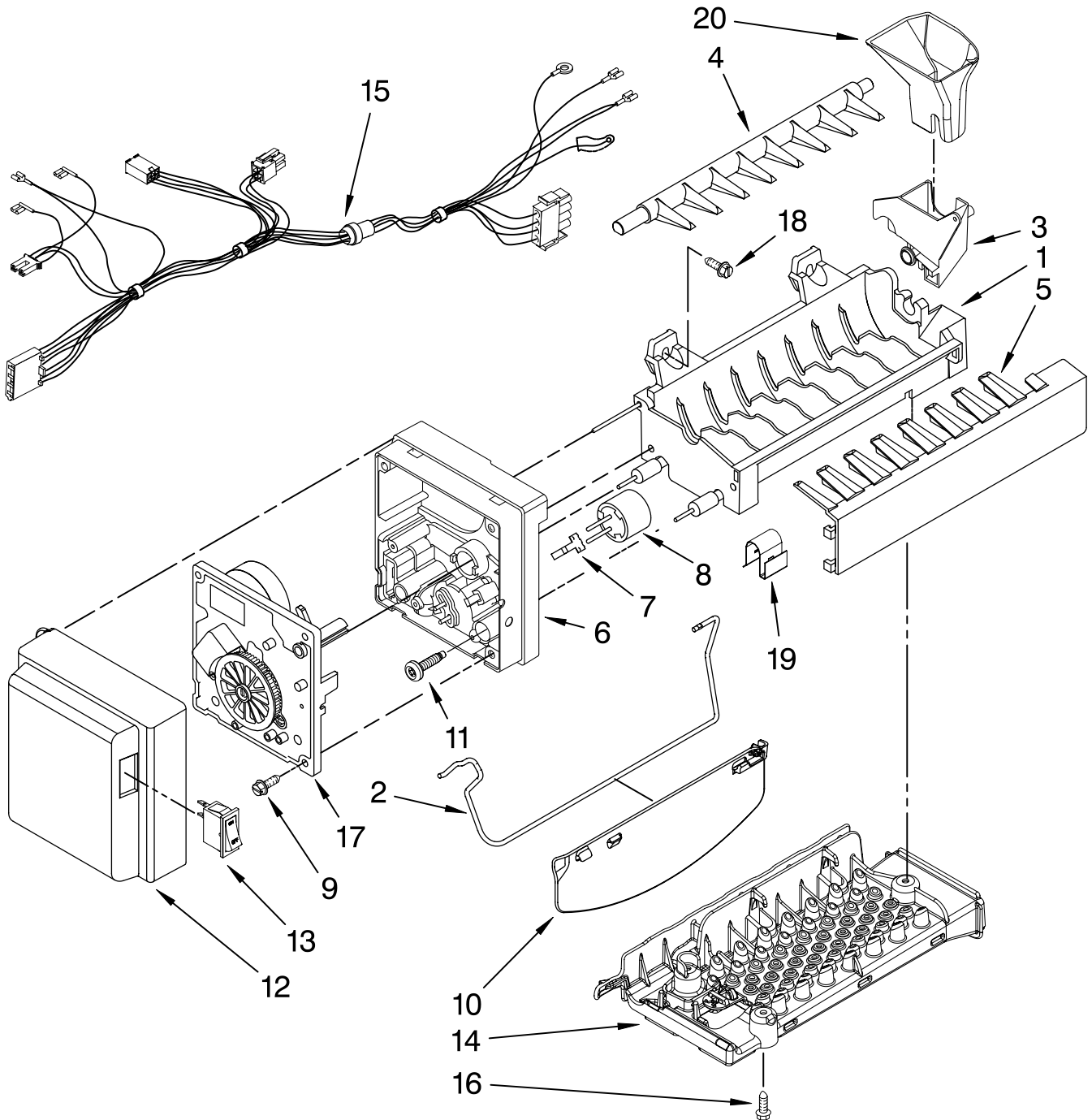
<b>Illus. No.</b>	<b>Part No.</b>	<b>DESCRIPTION</b>
1	67006349	Ice Bin Assembly (Includes Auger)
2	W10121282	Inlet, Blower
3	W10121281	Scroll, Blower
4	W10162697	Motor, Fan
5	W10123444	Wheel, Blower
6	W10165970	Clip, Fan Motor
7	W10151687	Grommet, Fan Motor
8	W10187860	Divider, Ice Box
9	67006341	Gasket, Damper
10	67006342	Motor, Auger
11	W10127427	Damper, Control
12	67006344	Solenoid
13	W10118612	Liner, Divider
14	67006425	Screw (3)
15	67007111	Bracket, Solenoid
16	67006346	Washer
17	63052-1	Yoke, Ice Dispenser
18	67006347	Yoke, Solenoid
19	67006348	Spring, Solenoid
20	W10142628	Foil, Ice Box



# ICEMAKER PARTS

For Models: MFI2569VEA10, MFI2569VEB10, MFI2569VEQ10, MFI2569VEM10, MFI2569VEW10  
(Monochromatic Satina) (Black) (Bisque) (Monochromatic Stainless) (White)

The model(s) number shown may be different than what is printed on the model/serial tag of your product. The number(s) shown combine the model number and the first two digits of the serial number from the product tag.



FOR ORDERING INFORMATION REFER TO PARTS PRICE LIST

# ICEMAKER PARTS

For Models: MFI2569VEA10, MFI2569VEB10, MFI2569VEQ10, MFI2569VEM10, MFI2569VEW10  
(Monochromatic Satina) (Black) (Bisque) (Monochromatic Stainless) (White)

The model(s) number shown may be different than what is printed on the model/serial tag of your product. The number(s) shown combine the model number and the first two digits of the serial number from the product tag.

<b>Illus. No.</b>	<b>Part No.</b>	<b>DESCRIPTION</b>
1	W10122527	Mold & Heater Assembly (Also Order 542638 Grease)
2	W10175514	Arm, Shutoff
3	628515	Cup, Fill
4	627843	Ejector
5	2182124	Ice Stripper
6	2194712	Support, Housing
7	2315522	Retainer, Thermostat
8	627985	Thermostat (Also Order 542369 Cement)
9	489464	Screw (3)
10	W10121440	Extension, Shutoff Arm
11	8533917	Screw (2)
12	W10121444	Cover
13	2313326	Switch, On-Off
14	W10121269	Impinger Assy.
15	W10117860	Harness, Icemaker
16	67006425	Screw, Impinger
17	626678	Module Assembly
18	489276	Screw (3)
19	628379	Clip
20	W10121434	Insert, Fill Cup
100	W10122533	Icemaker Assembly

---

## Following Parts Not Illustrated

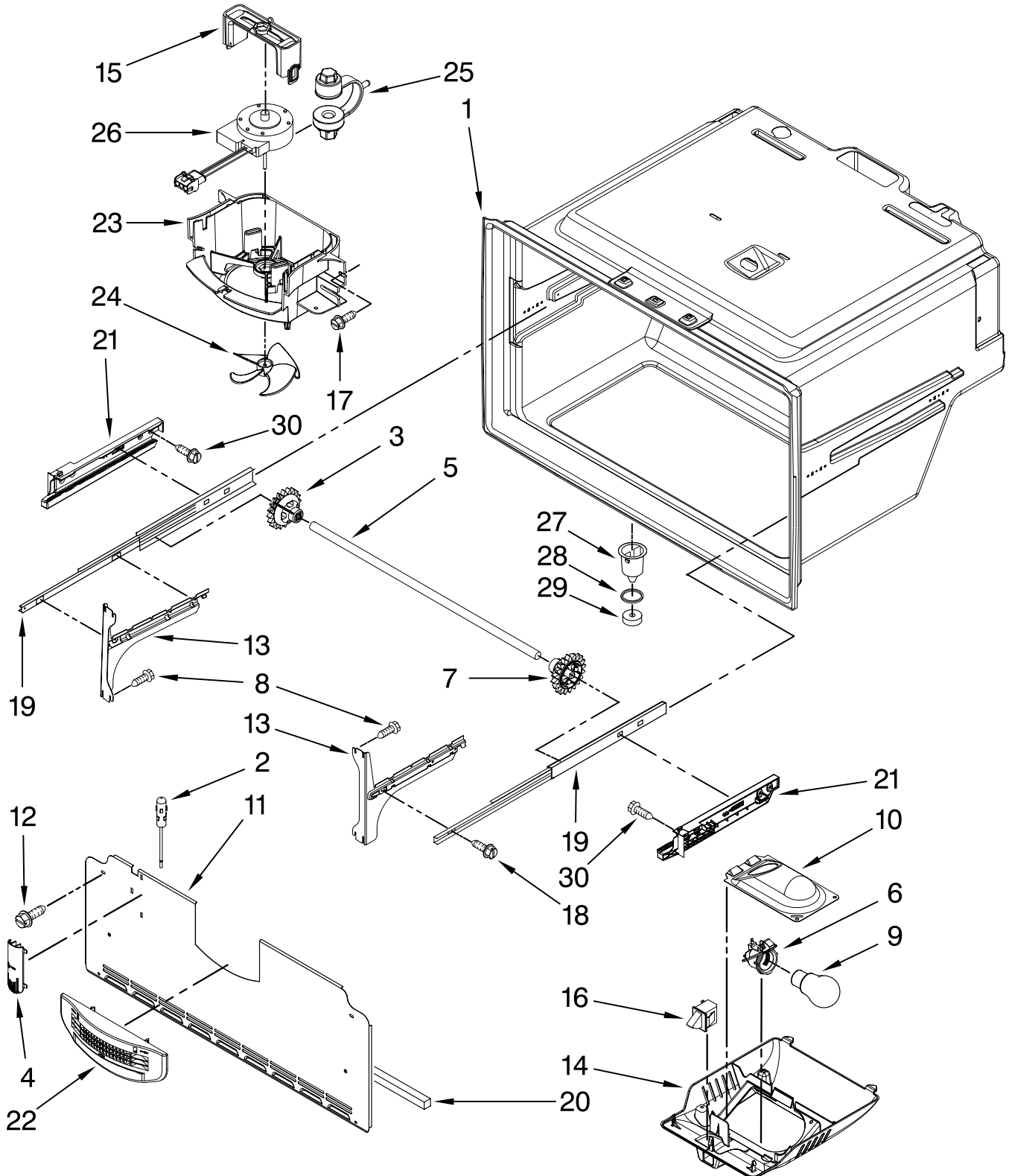
---

10244904 Coupling

# FREEZER LINER PARTS

For Models: MFI2569VEA10, MFI2569VEB10, MFI2569VEQ10, MFI2569VEM10, MFI2569VEW10  
(Monochromatic Satina) (Black) (Bisque) (Monochromatic Stainless) (White)

The model(s) number shown may be different than what is printed on the model/serial tag of your product. The number(s) shown combine the model number and the first two digits of the serial number from the product tag.



FOR ORDERING INFORMATION REFER TO PARTS PRICE LIST

# FREEZER LINER PARTS

For Models: MFI2569VEA10, MFI2569VEB10, MFI2569VEQ10, MFI2569VEM10, MFI2569VEW10  
 (Monochromatic Satina) (Black)      (Bisque) (Monochromatic Stainless) (White)

The model(s) number shown may be different than what is printed on the model/serial tag of your product. The number(s) shown combine the model number and the first two digits of the serial number from the product tag.

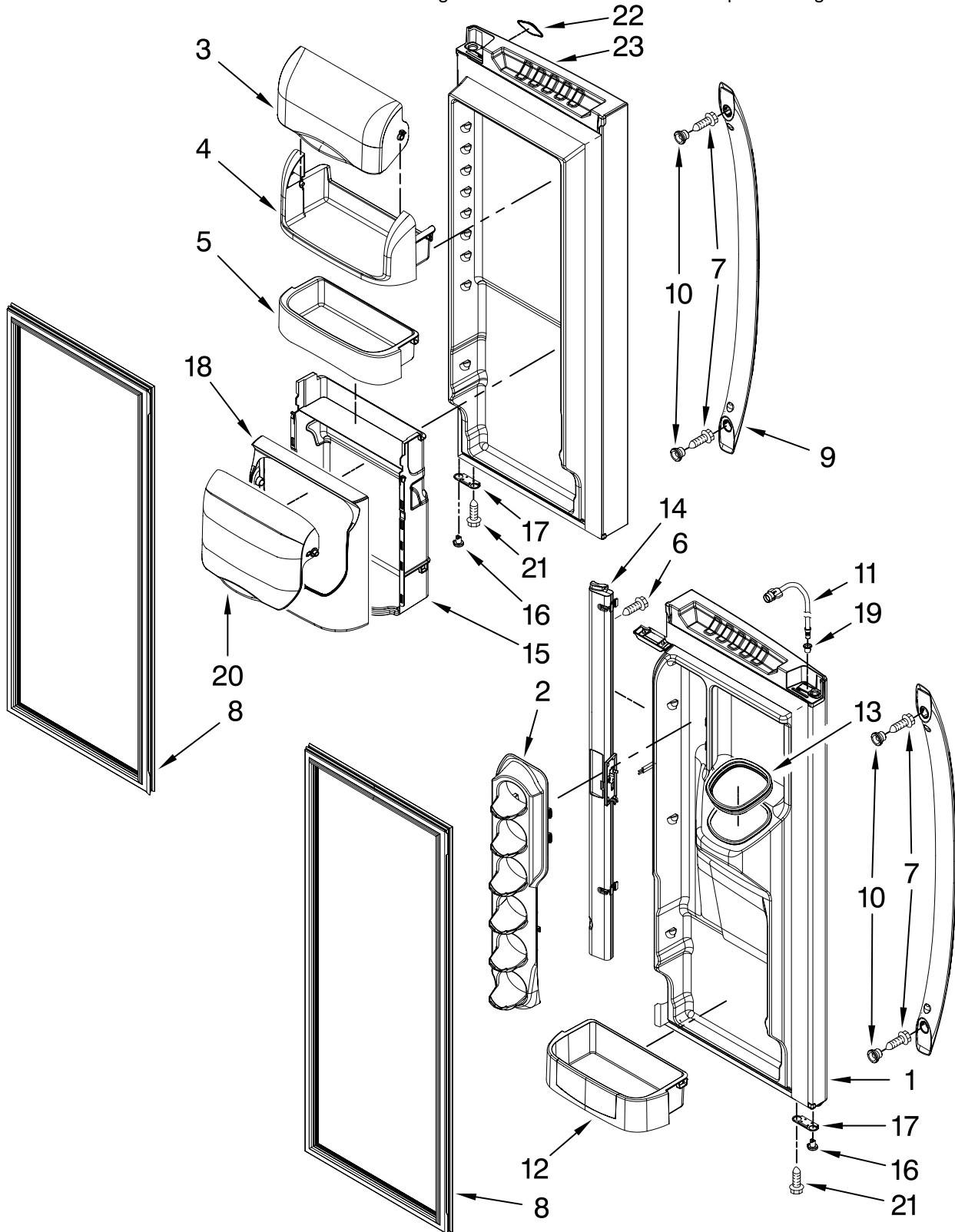
Illus. No.	Part No.	DESCRIPTION
1		Liner (Not A Serviceable Part)
2	12002355	Thermistor Kit
3	12002497	Gear (Left) (Incl. #7)
4	67003924	Cover, Thermistor
5	67004017	Shaft, Rack
6	Y12570701	Socket, Light
7	12002497	Gear, (Right) (Incl. #3)
8	67006473	Screw, Bracket (6)
9	A0282812	Bulb, Light
10	67001035	Housing, Light
11	67006383	Cover, Evap
12	67006425	Screw
13		Bracket, Door Slide
	W10122147	Left
	W10122148	Right
14	67006423	Module, Freezer Light
15	67006338	Clip, Fan Motor
16	67006422	Switch, Rocker
17	67006287	Screw, Fan Shroud
18	67006769	Screw, Slide To Basket
19	W10120018	Slide, Drawer (2)
20	67003731	Gasket, Foam
21		Adapter
	W10120017	Left
	W10120083	Right
22	67006382	Grille, Air
23	67006424	Shroud, Evap Fan
24	67006337	Blade, Fan (Evaporator)
25	67006339	Grommet, Fan Motor (2)
26	W10162809	Motor, Evaporator Fan
27	D7753903	Funnel, Drain
28	M0500703	Seal, O Ring
29	B8381501	Gasket, Drain Tube
30	67006406	Screw Adapter

FOR ORDERING INFORMATION REFER TO PARTS PRICE LIST

# REFRIGERATOR DOOR PARTS

For Models: MFI2569VEA10, MFI2569VEB10, MFI2569VEQ10, MFI2569VEM10, MFI2569VEW10  
 (Monochromatic Satina) (Black) (Bisque) (Monochromatic Stainless) (White)

The model(s) number shown may be different than what is printed on the model/serial tag of your product. The number(s) shown combine the model number and the first two digits of the serial number from the product tag.



FOR ORDERING INFORMATION REFER TO PARTS PRICE LIST

# REFRIGERATOR DOOR PARTS

For Models: MFI2569VEA10, MFI2569VEB10, MFI2569VEQ10, MFI2569VEM10, MFI2569VEW10  
 (Monochromatic Satina) (Black)      (Bisque) (Monochromatic Stainless) (White)

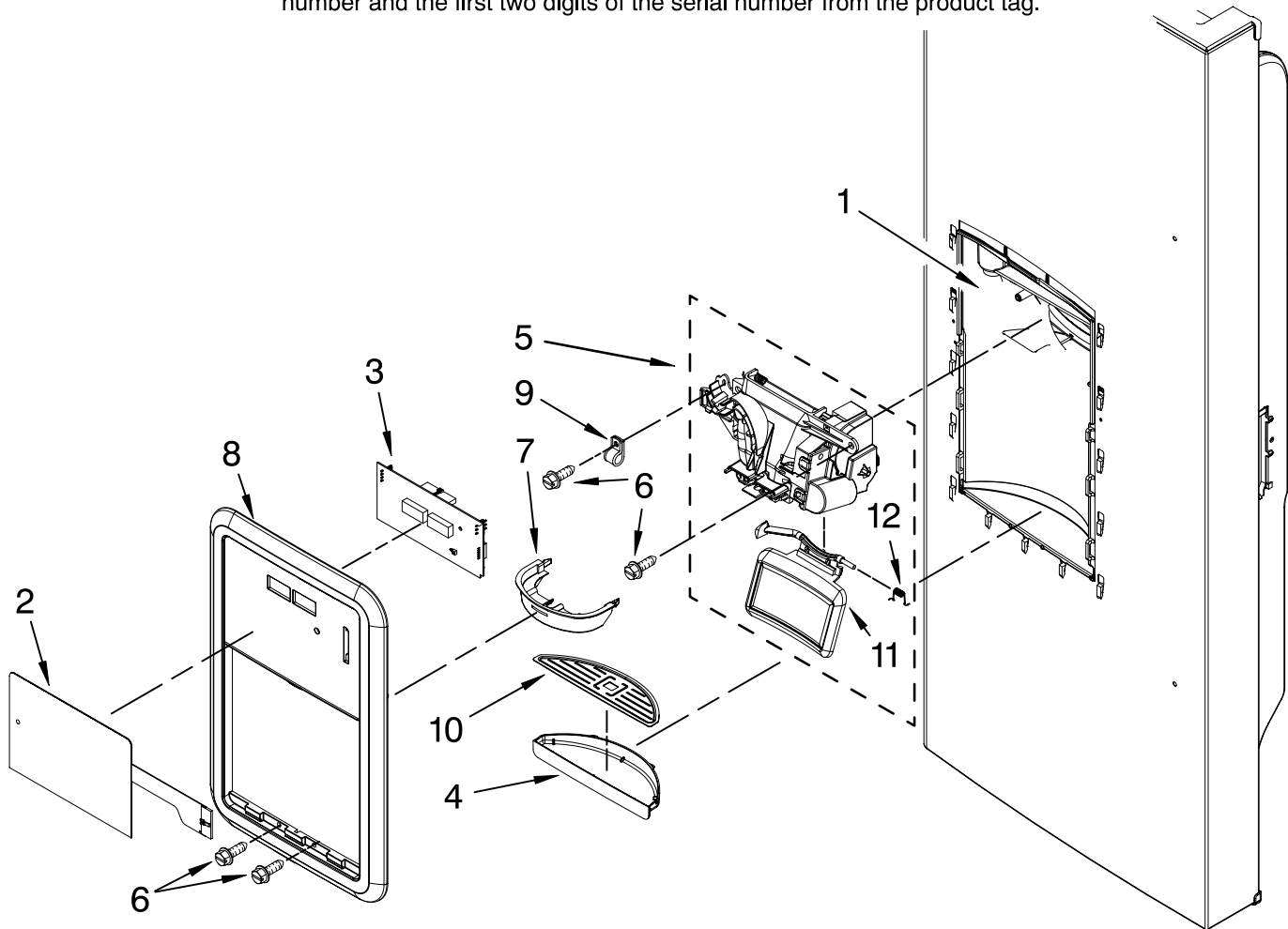
The model(s) number shown may be different than what is printed on the model/serial tag of your product. The number(s) shown combine the model number and the first two digits of the serial number from the product tag.

Illus. No.	Part No.	DESCRIPTION	Illus. No.	Part No.	DESCRIPTION	Illus. No.	Part No.	DESCRIPTION
1		Door, Left	10	67006113	Mount, Handle	17		Stop, Door
	W10174213	White	11	12962106	Waterline, Door		12968202W	White
	W10173928	Black	12	W10187434	Bin, Shelf (Gallon)		67007011	Black
	W10174149	Bisque					12968202Q	Bisque
	W10191138	Stainless	13	67007108	Seal, Ice Chute		W10191119	Apollo Grey
	W10191136	Satina	14		Mullion, Door	18	67006314	Frame, Chiller (Front)
2	67006311	Dispenser, Can		W10164404	White	19	67005954	Clip, Bushing Wire (Left Door)
3	67003637	Door, Dairy		W10164405	Black	20	67006312	Door, Chiller
4	67001279	Tray, Dairy		W10164406	Bisque	21	67006473	Screw
5	67006313	Bin, Shelf (Chiller Top)		W10191104	Apollo Grey	22	67006439	Nameplate
6	67006786	Screw	15	67006315	Frame, Chiller (Rear)	23		Door, Right
7	67002935	Screw, Handle	16		Closure, Door		W10160132	White
8		Gasket, Door		67003638	White		W10160123	Black
	W10165979	White		67003639	Black		W10160126	Bisque
	W10165978	Black		W10191100	Apollo Grey		W10191134	Stainless
	W10191105	Apollo Grey					W10191132	Satina
9		Handle, Door						
	67006114	White						
	67006115	Black						
	67006982	Bisque						
	W10136871	Stainless						
	W10191144	Antique Pewter						

# DISPENSER FRONT PARTS

For Models: MFI2569VEA10, MFI2569VEB10, MFI2569VEQ10, MFI2569VEM10, MFI2569VEW10  
 (Monochromatic Satina) (Black) (Bisque) (Monochromatic Stainless) (White)

The model(s) number shown may be different than what is printed on the model/serial tag of your product. The number(s) shown combine the model number and the first two digits of the serial number from the product tag.



Illus. No.	Part No.	DESCRIPTION
1		Housing, Dispenser (Not Serviced)
2		Dispenser Keyboard
	W10159999	White
	W10164469	Black
	W10164468	Bisque
	W10164470	Satina
	W10164471	Stainless
3	67006294	Board, L.V.
4		Sump, Dispenser
	W10142274	White
	W10164979	Black
	W10164981	Bisque
	W10164980	Apollo Grey (Light)
	W10185235	Midnight Grey (Dark)

Illus. No.	Part No.	DESCRIPTION
5		Chute, Ext/Yoke (Includes Switch)
	W10191155	White
	W10191151	Black
	W10191153	Bisque
	W10191149	Apollo Grey (Light)
	W10192824	Midnight Grey (Dark)
6	67006400	Screw
7	67006295	Ring, Target
8		Facade, Dispenser
	W10142272	White
	W10164982	Black
	W10164983	Bisque
	W10142273	Apollo Grey W/Stainless Insert
	W10172895	Apollo Grey W/Satina Insert

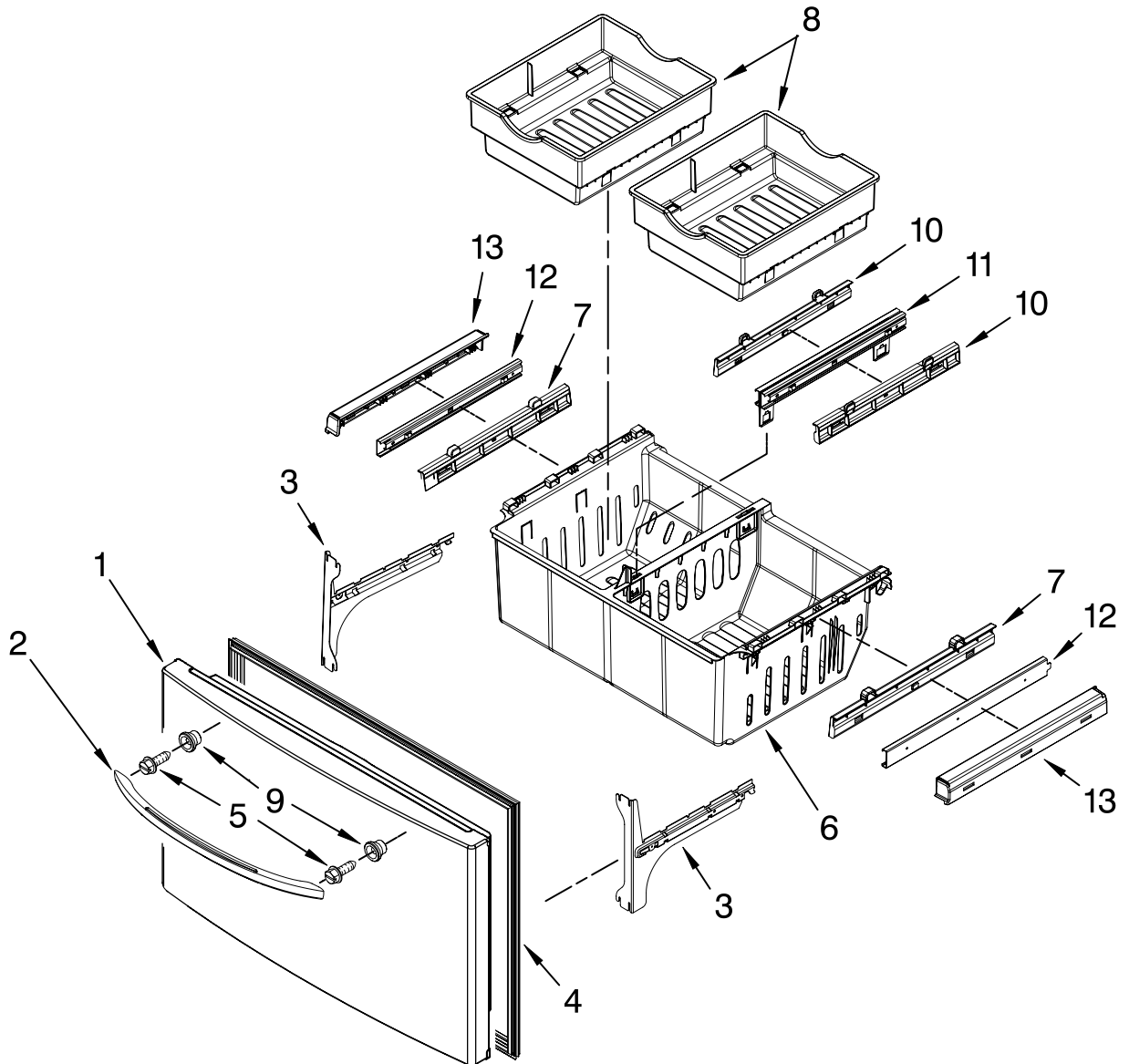
Illus. No.	Part No.	DESCRIPTION
9	M0108106	Clamp, Tube
10	W10142275	Grille, Sump
11		Yoke/Pad Assy.
	W10170831	White
	W10170832	Black
	W10170833	Bisque
	W10164977	Apollo Grey (Light)
	W10185233	Midnight Grey (Dark)
12	12565502	Spring

FOR ORDERING INFORMATION REFER TO PARTS PRICE LIST

# FREEZER DOOR PARTS

For Models: MFI2569VEA10, MFI2569VEB10, MFI2569VEQ10, MFI2569VEM10, MFI2569VEW10  
 (Monochromatic Satina) (Black)      (Bisque) (Monochromatic Stainless) (White)

The model(s) number shown may be different than what is printed on the model/serial tag of your product. The number(s) shown combine the model number and the first two digits of the serial number from the product tag.



Illus. No.	Part No.	DESCRIPTION
1		Freezer Door
	W10174214	White
	W10173929	Black
	W10174150	Bisque
	W10191131	Stainless
	W10191120	Satina
2		Handle, Door
	67007107	White
	67007105	Black
	67007106	Bisque
	W10138763	Stainless
	W10191147	Antique Pewter

Illus. No.	Part No.	DESCRIPTION
3		Bracket, Door Slide
	W10122147	Left
	W10122148	Right
4		Gasket, Door
	W10162897	White
	W10162895	Black
	W10191103	Apollo Grey
5	67002935	Screw, Handle
6	67006366	Bin, Lower
7	W10166742	Adapter, Bin (Outer)

Illus. No.	Part No.	DESCRIPTION
8	W10166237	Bin, Upper
9	67006113	Mount, Handle
10	W10163002	Adapter, Bin (Inner)
11	67006372	Bracket/Glide Assembly
12	67006369	Glide, Upper Retainer, Glide
13	67006368	Right
	67006367	Left

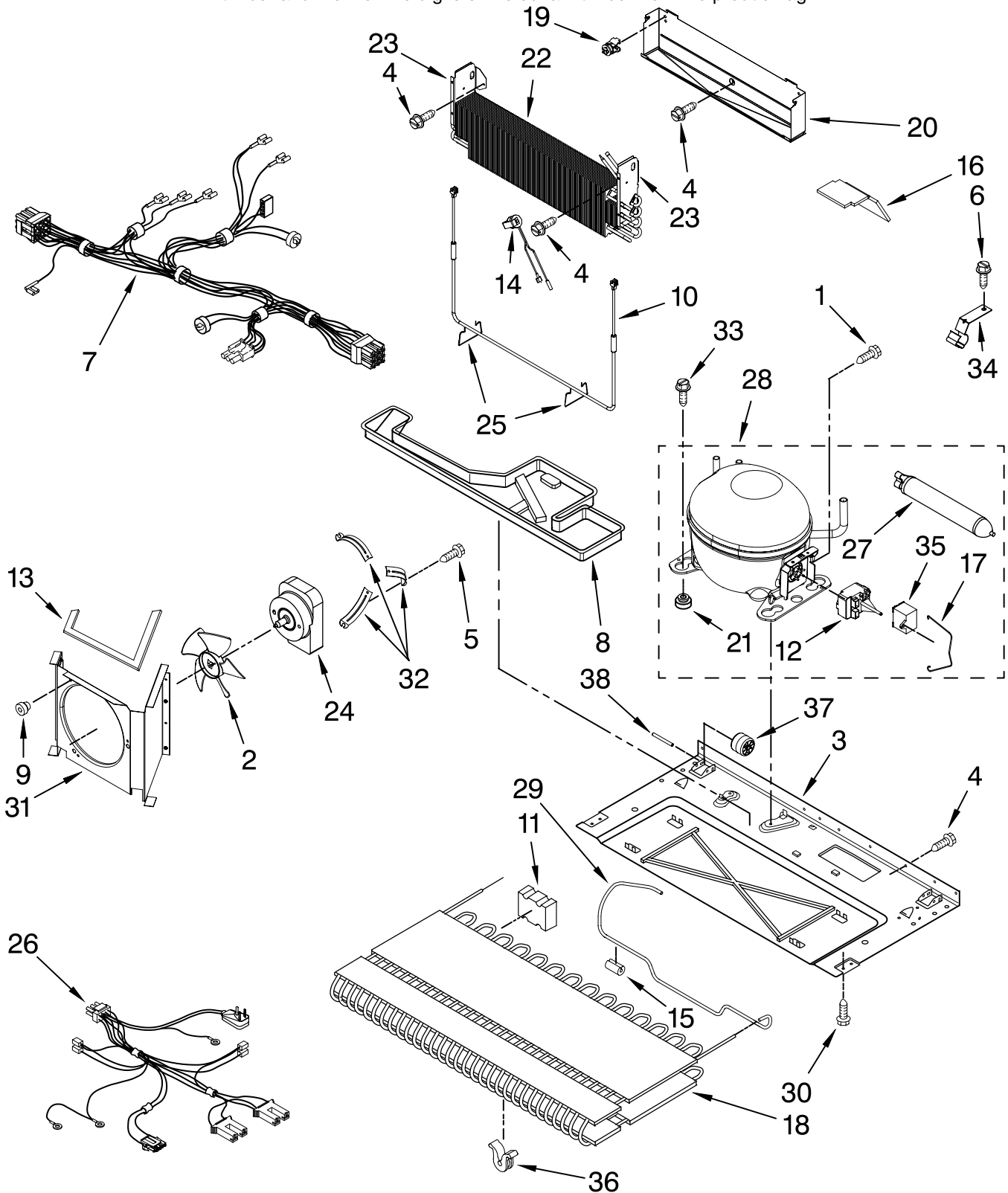
FOR ORDERING INFORMATION REFER TO PARTS PRICE LIST



# UNIT PARTS

For Models: MFI2569VEA10, MFI2569VEB10, MFI2569VEQ10, MFI2569VEM10, MFI2569VEW10  
 (Monochromatic Satina) (Black) (Bisque) (Monochromatic Stainless) (White)

The model(s) number shown may be different than what is printed on the model/serial tag of your product. The number(s) shown combine the model number and the first two digits of the serial number from the product tag.



FOR ORDERING INFORMATION REFER TO PARTS PRICE LIST

# UNIT PARTS

For Models: MFI2569VEA10, MFI2569VEB10, MFI2569VEQ10, MFI2569VEM10, MFI2569VEW10  
 (Monochromatic Satina) (Black)      (Bisque) (Monochromatic Stainless) (White)

The model(s) number shown may be different than what is printed on the model/serial tag of your product. The number(s) shown combine the model number and the first two digits of the serial number from the product tag.

Illus. No.	Part No.	DESCRIPTION	Illus. No.	Part No.	DESCRIPTION	Illus. No.	Part No.	DESCRIPTION
1	67006433	Screw	24	67004432	Motor, Fan			
2	W10162928	Blade, Fan	25	10428101	Clip, Heater			
3	67005889	Basepan	26	13060202	Harness, Unit with Power Cord			
4	67006425	Screw						
5	67004954	Screw (3)	27	2317845	Drier			
6	67006737	Screw, Clip	28	W10134623	Compressor (Includes Items 12, 17, 21, 27, & 35)			
7	W10119239	Harness, Evap Heater						
8	67007175	Pan, Drain	29	W10134293	Tube, Discharge			
9	61004743	Grommet (3)	30	67006573	Screw			
10	W10162932	Heater, Defrost	31	W10158508	Shroud			
11	67005491	Block, Condenser	32	67004953	Bracket, Fan Motor			
12	W10128791	Start Device	33	67006432	Screw (3)			
13	61003210	Seal, Condenser Shroud	34	10547003	Clip, Drier			
14	67006387	Thermostat, Defrost	35	2264017	Capacitor			
15	67005680	Grommet (2)	36	W10137529	Grommet, Cond. (4)			
16	12820504	Pad, Acoustic	37	67005149	Roller (2)			
17	2255199	Clip, Capacitor	38	67006434	Axle (2)			
18	67006131	Condenser						
19	10623002	Clip, Evaporator						
20	67002490	Tray, Drip						
21	W10169124	Grommet (4)						
22	W10184230	Evaporator						
23		Dam						
	W10162951	Right Side						
	W10162962	Left Side						
						<b>Following Parts Not Illustrated and Optional Parts Not Included</b>		
						978025		Valve, Access (1/4")
						978026		Valve, Access (5/16")
						978027		Valve, Access (3/8")
						978028		Valve, Access (1/2")
						978029		Valve, Access (5/8")
						978030		Valve, Access (3/4")
						876764		Valve, Access (3/16")
						<b>REFRIGERANT CHARGE</b>		
								5.25 Ozs. (R-134A)

FOR ORDERING INFORMATION REFER TO PARTS PRICE LIST

# OPTIONAL PARTS (NOT INCLUDED)

For Models: MFI2569VEA10, MFI2569VEB10, MFI2569VEQ10, MFI2569VEM10, MFI2569VEW10  
 (Monochromatic Satina) (Black)      (Bisque) (Monochromatic Stainless) (White)

The model(s) number shown may be different than what is printed on the model/serial tag of your product. The number(s) shown combine the model number and the first two digits of the serial number from the product tag.

Illus. No.	Part No.	DESCRIPTION	Illus. No.	Part No.	DESCRIPTION	Illus. No.	Part No.	DESCRIPTION
Parts Not Illustrated and Optional Parts (Not Included)			<b>Refinishing Material</b>			<b>Miscellaneous</b>		
<b>Customer Touch-Up Material</b>			799340	Enamel, Black (1 Qt. Uncut)	212643	Sealer, Gum (4 Feet)		
			799344	Enamel, White (1 Qt. Uncut)	479502	Tape, Vinyl (3/4 x 108")		
					876370	Kit, Insulation (2 Pcs. x 3" x 24" X 48")		
					876305	Kit, Insulation (14 Pcs. x 3" x 24" x 48")		
					978941	Insulation, Fiberglass (63-1/2" x 35-1/2" X 2-5/8)		
					876029	Kit, Foam Slab (30" x 32-1/2" x 1-1/2")		
					505587	Sealer, Mastic (1 Qt.)		
					503695	Cork, Sealer (1/4 Pound)		
					20000008	Cleaner, Stnls Steel Magic		
					542638	Grease, Silicone (1/2 Oz.)		
					542639	Cement, Alumilastic (1-1/4 Oz.)		
					606755	Bag, Insulation (36-5/8" x 46")		
					833938	Kit, Terminal Connector		
					67006349	Ice Container Assembly		
					<b>TORX SCREW WRENCH</b>			
					1117510	Torx Key		

**\*Important:** The spray paint is not to be used where the paint may make contact with the door gaskets.