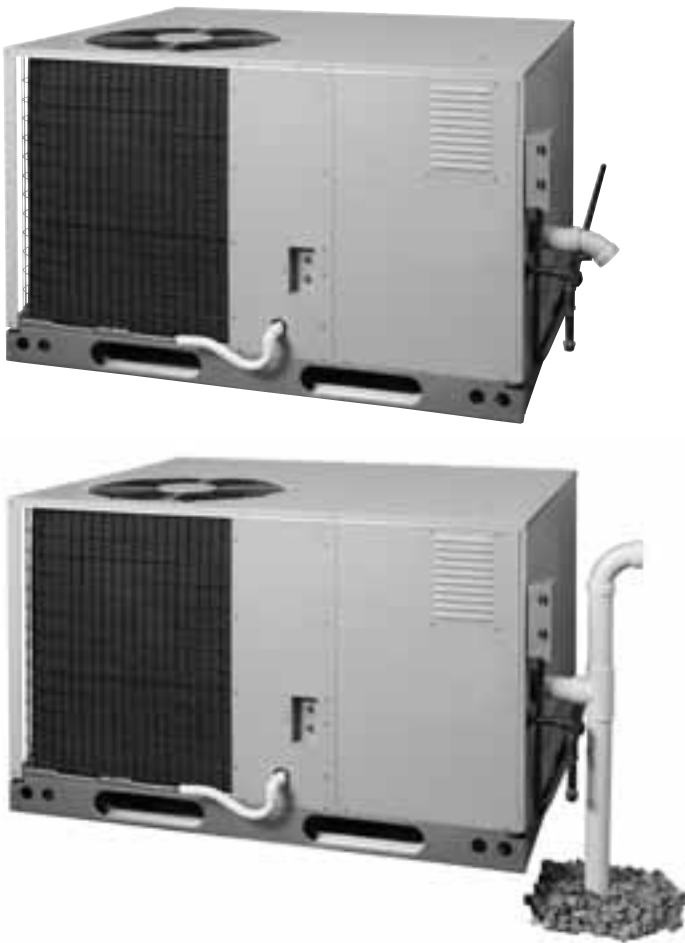


R8HE Series Rev A

Single-Phase

95% AFUE Condensing Heat Exchanger offering Two-Stage Heating and 14 SEER Single-Stage Cooling with ECM Blower

These single packaged gas/electrics are high efficiency self-contained heating and cooling units that can be installed at ground level on a slab. The unit design makes installations simple in all applications. Units are ETL and ETLc listed.

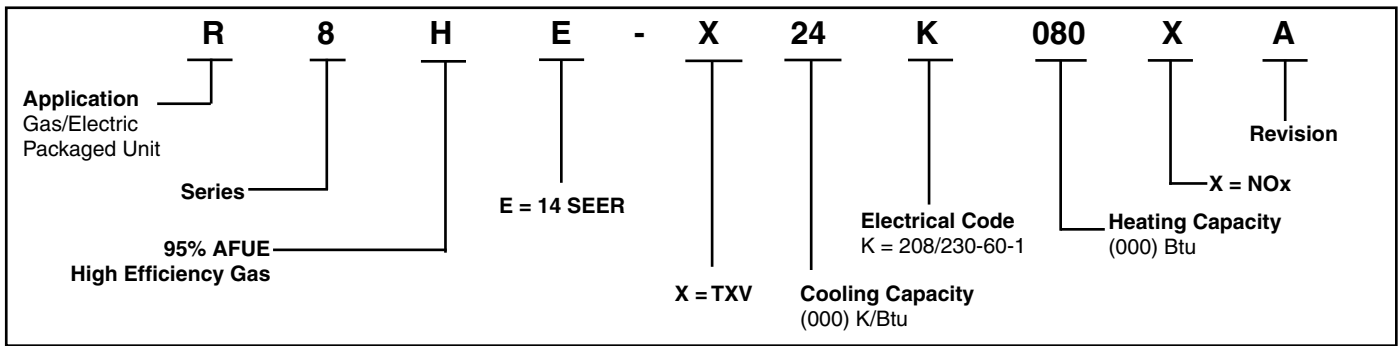


Click or scan with your smart phone to view a video with drain kit instructions for rooftop installations.

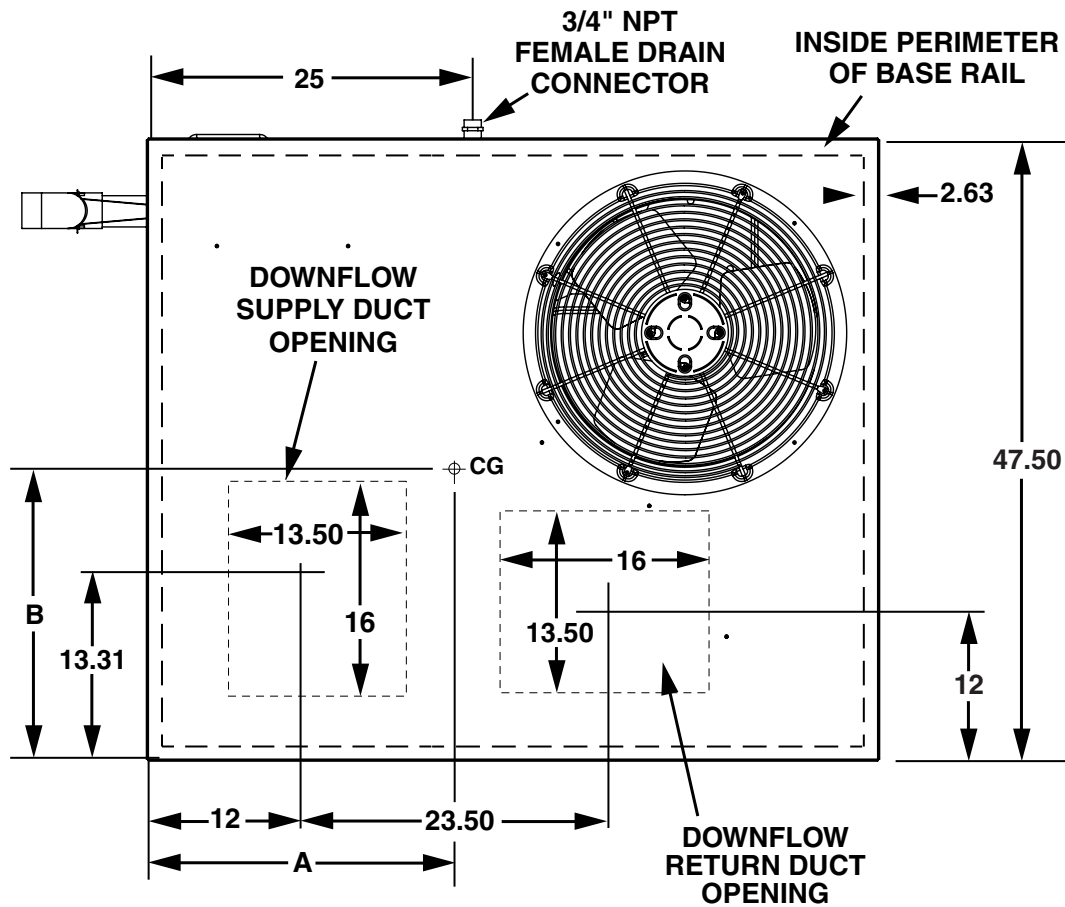
FEATURES and BENEFITS

- **Copeland Scroll Compressor:** State of the art compressor is standard equipment.
- **Micro-Channel Coils:** Both indoor and outdoor all aluminum coils are designed to optimize heat transfer, minimize size and cost, and increase durability and reliability.
- **Wire guard coated with earth friendly epoxy and plastic mesh hail guard:** A guard that will never rust and protects the units coil from being damaged.
- **Easy Compressor and Control Access:** Designed to make servicing easier for the contractor, access panels are provided to all controls and the compressor from the side of the unit. Easy access to the evaporator coil for cleaning and general maintenance.
- **Permanently Lubricated Condenser Motor:** A heavy duty PSC motor for long lasting reliability and quiet operation. Requires no maintenance and is completely protected from rain and snow.
- **Thermostatic Expansion Valves:** Factory installed externally equalized thermostatic expansion valves provides precise refrigerant control under varying load conditions.
- **Hi/Low Pressure Switches:** Ensure long compressor life.
- **Externally Accessible, Service Ports:** Quick access to refrigeration system.
- **Liquid Line Filter Driers:** Factory installed at a convenient location for service.
- **Quiet Operation and Low Vibration:** Swept-wing fan blade combined with custom Venturi condenser fan.
- **Two-Stage Heat Operation:** Featuring a two stage gas valve, 2 speed inducer motor, and 2 speed blower control.
- **Choice of Heating Control:** Two stage thermostat or single stage heating thermostat with control board timing of a 10 minute delay for second stage of heat.
- **Tubular primary heat exchanger:** Heavy gauge aluminized steel heat exchanger.
- **Stainless Steel secondary heat exchanger:** Assures a long life.
- **100% fired and tested:** All units and each component are tested on the manufacturing line.
- **30 second blower delay:** At start-up assures a warm duct temperature at start-up. Adjustable blower off settings (60, 90, 120, and 180 seconds).
- **30 second post purge:** Increases life of heat exchanger.
- **Hot Surface igniter:** Innovative application of an appliance type igniter with a 20 year history of reliability.
- **SmartLite® Control Board:** Provides extended life to igniters using hot surface ignition technology. Programmed to learn the heat-up characteristics of the igniter, then adapt the ignition time to the characteristics of the furnace so the igniter is energized appropriately.
- **LP Convertible:** Simple burner orifice and regulator spring change for ease of convertibility.
- **Designed using Galvanized Steel:** With a polyester urethane coat finish. The 950 hour salt spray finish is 1.5 mil thick and resists corrosion 50% better than comparable units.
- **Corrosion-Resistant Drain Pan:** Quickly drains away evaporator condensate.
- **Embossed Bottom Pan:** Keeps blower component compartment dry.
- **Smaller Panels, Great Fit and Finish, Total Seal:** Well-designed, quality construction.
- **One Piece Top Pan:** With drip edge on top panels whisks away rainwater.
- **Low Voltage Transformer:** Includes 5 Amp fuse to protect low voltage circuit.
- **Energy Efficient Brushless DC Blower Motor:** ECM constant torque in all models.
- **Horizontal Air Delivery:** To accommodate ground mount horizontal applications.
- **Heavy-Gauge, Full Perimeter Base Rails:** Facilitates forklift handling and curb mounting.
- **Removable Top Grille Assembly:** Allows ease of service to the fan motor.
- **Duct Flanges:** Reduce installation costs.
- **Proven, Industry Standard Components:** Easier service and availability.

MODEL IDENTIFICATION CODE



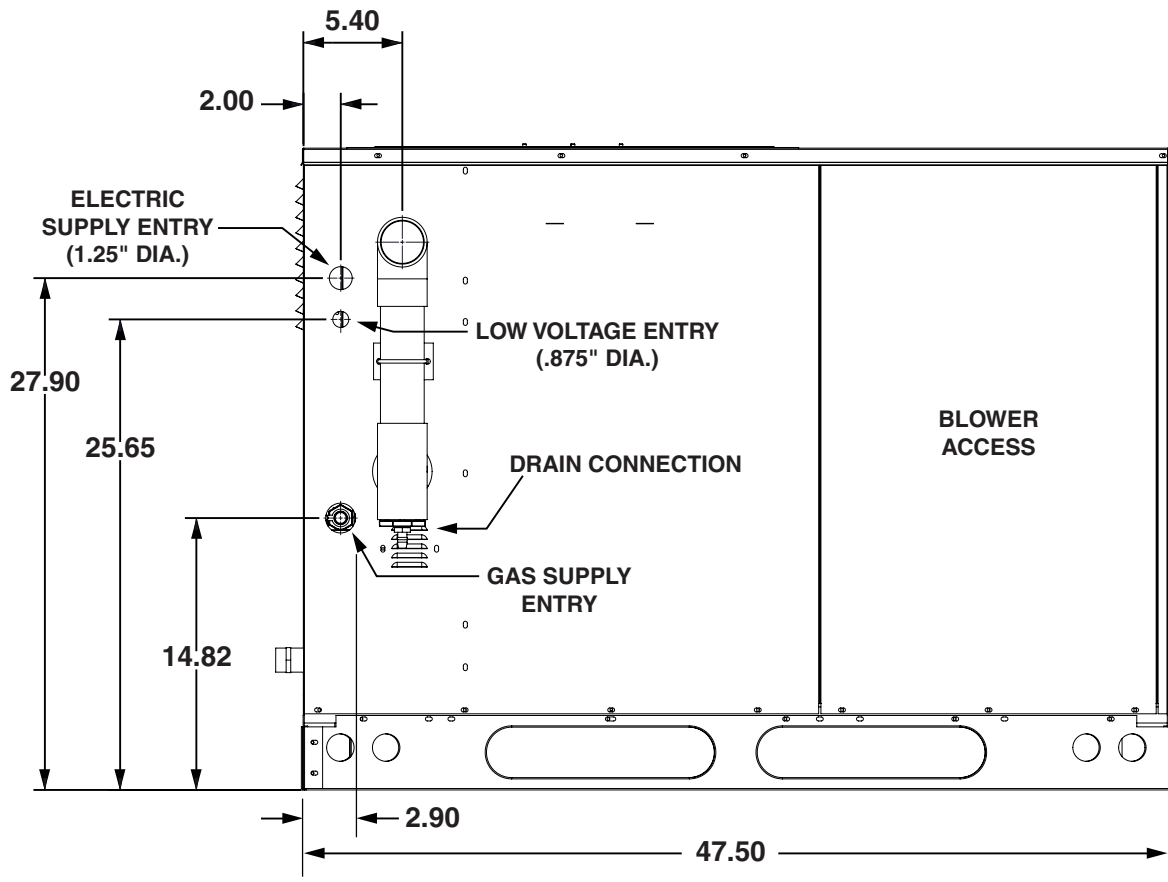
DIMENSIONS



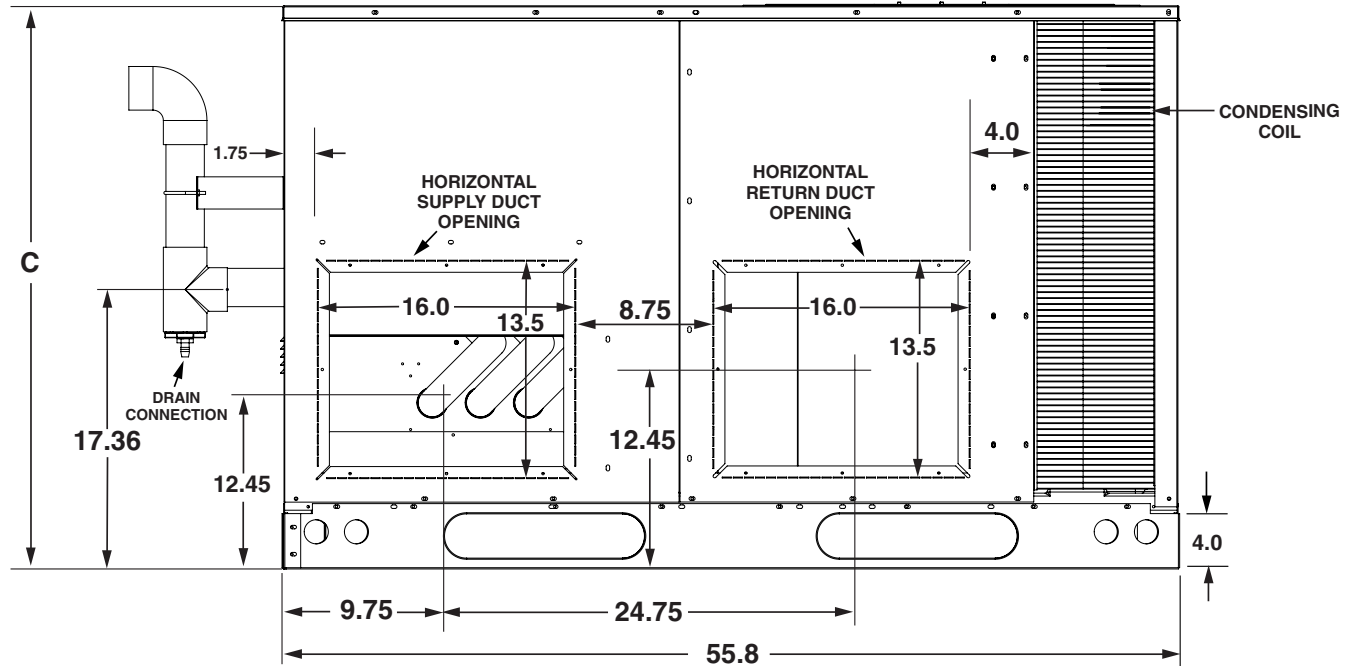
Top View

| Model Number R8HE | Unit Weight | Shipping Weight | Center of Gravity | | Unit Dimensions (inches) | | | |
|----------------------|-------------|-----------------|-------------------|------|--------------------------|--------------------------|--------|-------|
| | | | A | B | Height with base rail | Height without base rail | Length | Width |
| R8HE-X24K060XA | 380 | 410 | 26.5 | 26.5 | 35.0 | 31.3 | 55.8 | 47.5 |
| R8HE-X30K060XA | 384 | 414 | 26.5 | 26.5 | 35.0 | 31.3 | 55.8 | 47.5 |
| R8HE-X36K080XA | 391 | 417 | 26.5 | 26.5 | 35.0 | 31.3 | 55.8 | 47.5 |
| R8HE-X42K080XA | 407 | 438 | 27.0 | 26.5 | 39.0 | 35.3 | 55.8 | 47.5 |
| R8HE-X48K100XA | 455 | 482 | 27.5 | 26.5 | 43.0 | 39.3 | 55.8 | 47.5 |
| R8HE-X60K100XA | 485 | 510 | 28.0 | 26.5 | 47.0 | 43.3 | 55.8 | 47.5 |

DIMENSIONS (Continued)



Side View



Back View

SPECIFICATIONS AND ELECTRICAL DATA

SINGLE PHASE

| Model R8HE- | X24K060XA | X30K060XA | X36K080XA | X42K080XA | X48K096XA | X60K096XA |
|---|---|-----------|-----------|-----------|-------------|-------------|
| Performance Data | | | | | | |
| Cooling Capacity (Net) - (Btuh)(1) | 24,000 | 29,000 | 36,000 | 42,000 | 47,000 | 56,000 |
| Efficiency - Cooling - S.E.E.R. (1) | 14.00 | 14.00 | 14.00 | 14.00 | 14.00 | 14.00 |
| Efficiency - Cooling - E.E.R.(2) | 12.00 | 11.50 | 11.50 | 11.00 | 11.00 | 11.00 |
| High Heating Input (Btuh) | 60,000 | 60,000 | 80,000 | 80,000 | 96,000 | 96,000 |
| High Heating Output (Btuh) | 57,000 | 57,000 | 76,000 | 76,000 | 91,200 | 91,200 |
| Low Heating Input (Btuh) | 39,000 | 39,000 | 52,000 | 52,000 | 62,400 | 62,400 |
| Low Heating Output (Btuh) | 37,050 | 37,050 | 49,400 | 49,400 | 59,300 | 59,300 |
| Heating - A.F.U.E | 95.0% | 95.0% | 95.0% | 95.0% | 95.0% | 95.0% |
| Electrical Rating - 60 Hz. | | | | | | |
| Phase | 1 | 1 | 1 | 1 | 1 | 1 |
| Operating Voltage | 187-253 | 187-253 | 187-253 | 187-253 | 187-253 | 187-253 |
| Minimum Circuit Ampacity - (MCA) | 22.4 | 26.5 | 31.8 | 36.1 | 38.8 | 45.2 |
| Max. Overcurrent Protection - (MOP) | 35 | 40 | 50 | 55 | 60 | 70 |
| Compressor Data | | | | | | |
| Compressor (Scroll) | ZP21K5E | ZP25K5E | ZP31K5E | ZP39K5E | ZP42K5E | ZP51K5E |
| Volts | 208/230 | 208/230 | 208/230 | 208/230 | 208/230 | 208/230 |
| Rated Load Amps | 12.8 | 15.7 | 18.6 | 22.1 | 24.3 | 29.4 |
| Lock Rotor Amps | 58 | 73 | 79 | 109 | 117 | 134 |
| Indoor Blower Data | | | | | | |
| Wheel - Diameter x Width | 11" x 8" | 11" x 8" | 11" x 8" | 11" x 10" | 11" x 10" | 11" x 10" |
| Motor - HP / Type | 3/4 - ECM | 3/4 - ECM | 1 - ECM | 1 - ECM | 1 - ECM | 1 - ECM |
| Motor Control | Constant Torque | | | | | |
| Motor Amps @ 208V - 230 V | 5.4 - 5.0 | 5.4 - 5.0 | 7.0 - 6.5 | 7.0 - 6.5 | 7.00 - 6.50 | 7.00 - 6.50 |
| Outdoor Fan | | | | | | |
| Motor - HP / Type | 1/5 - PSC | 1/4 - PSC | 1/4 - PSC | 1/4 - PSC | 1/4 - PSC | 1/4 - PSC |
| Motor - RPM | 825 | 1,100 | 1,100 | 1,100 | 1,100 | 1,100 |
| Motor Amps | 1.0 | 1.5 | 1.5 | 1.5 | 1.5 | 1.5 |
| Fan Diameter | 20" | 20" | 20" | 20" | 24" | 24" |
| Refrigerant Charge (R410A) - oz. | 59 | 59 | 58 | 64 | 69 | 83 |
| High Pressure Switch (PSIG) | Cut Out: 650 +/- 15 Cut In: 460 +/- 15 | | | | | |
| Loss of Charge Switch (PSIG) | Cut Out: 5 +/- 5 Cut In: 20 +/- 5 | | | | | |
| Gas Supply Size | 1/2" | | | | | |
| Sound Rating | 71 | 76 | 78 | 78 | 77 | 78 |

Footnotes:

1. Certified in accordance with A.H.R.I. Standard 210/240 at 95°F Outdoor DB and 80°F DB / 67°F WB evaporator entering air at minimum external duct static pressures allowed by the standard
2. E.E.R. - Energy Efficiency Ratio (Btu/Watt). E.E.R. is determined @ 95°F Outdoor DB & 80°F DB / 67°F WB Air Indoor
S.E.E.R. - Seasonal Energy Efficiency Rating.
A.F.U.E. - Annual Fuel Utilization Efficiency.

AIRFLOW DATA

Nominal Airflow Rates and Temperature Rises

| Model Number | Max. Gas Supply Press. (in.WC) | Min. Gas Supply Press. (in.WC) | Manifold Press. (in.WC) | High Input (Btu/Hr) | High Output (Btu/Hr) | Low Input (Btu/Hr) | Low Output (Btu/Hr) | Gas Orifice Size | Rise Range (oF) | Max. Outlet Air Temp. | Max. External Static Press. (in WC) | Cooling Output (BTUH) | Blower Size | Motor (HP) |
|----------------|--------------------------------|--------------------------------|-------------------------|---------------------|----------------------|--------------------|---------------------|------------------|-----------------|-----------------------|-------------------------------------|-----------------------|-------------|------------|
| R8HE-X24K060XA | 10.0 | 4.5 | 3.5 | 60,000 | 57,000 | 39,000 | 37,050 | 45 | 30-60 | 160 | 0.80 | 24,000 | 11" x 8" | 3/4 |
| R8HE-X30K060XA | 10.0 | 4.5 | 3.5 | 60,000 | 57,000 | 39,000 | 37,050 | 45 | 30-60 | 160 | 0.80 | 29,000 | 11" x 8" | 3/4 |
| R8HE-X36K080XA | 10.0 | 4.5 | 3.5 | 80,000 | 76,000 | 52,000 | 49,400 | 45 | 35-65 | 165 | 0.80 | 36,000 | 11" x 8" | 1 |
| R8HE-X42K080XA | 10.0 | 4.5 | 3.5 | 80,000 | 76,000 | 52,000 | 49,400 | 45 | 35-65 | 165 | 0.80 | 42,000 | 11" x 10" | 3/4 |
| R8HE-X48K096XA | 10.0 | 4.5 | 3.5 | 96,000 | 91,200 | 62,400 | 59,300 | 45 | 40-70 | 170 | 0.80 | 47,000 | 11" x 10" | 1 |
| R8HE-X60K096XA | 10.0 | 4.5 | 3.5 | 96,000 | 91,200 | 62,400 | 59,300 | 45 | 40-70 | 170 | 0.80 | 56,000 | 11" x 10" | 1 |

AIRFLOW DATA CONTINUED

| SWITCH SETTING | | | | RECOMMENDED AIRFLOW (CFM) | | SWITCH SETTING | | | | RECOMMENDED AIRFLOW (CFM) | |
|----------------|----------|----------|----------|---------------------------|------------|----------------|----------|----------|----------|---------------------------|-------------|
| 5 | 6 | 7 | 8 | | | 5 | 6 | 7 | 8 | | |
| 0 | 0 | 0 | 0 | 2 TON | 800 | 0 | 0 | 0 | 0 | 2.5 TON | 800 |
| 1 | 0 | 0 | 0 | | 875 | 1 | 0 | 0 | 0 | | 875 |
| 0 | 1 | 0 | 0 | | 925 | 0 | 1 | 0 | 0 | | 925 |
| 1 | 1 | 0 | 0 | | 1000 | 1 | 1 | 0 | 0 | | 1000 |
| 0 | 0 | 1 | 0 | | 1075 | 0 | 0 | 1 | 0 | | 1075 |
| 1 | 0 | 1 | 0 | | 1125 | 1 | 0 | 1 | 0 | | 1125 |
| 0 | 1 | 1 | 0 | | 1175 | 0 | 1 | 1 | 0 | | 1175 |
| 1 | 1 | 1 | 0 | | 1225 | 1 | 1 | 1 | 0 | | 1225 |
| 0 | 0 | 0 | 1 | | 1300 | 0 | 0 | 0 | 1 | | 1300 |
| 1 | 0 | 0 | 1 | | 1350 | 1 | 0 | 0 | 1 | | 1350 |
| 0 | 1 | 0 | 1 | | 1400 | 0 | 1 | 0 | 1 | | 1400 |
| 1 | 1 | 0 | 1 | | 1450 | 1 | 1 | 0 | 1 | | 1450 |
| 0 | 0 | 1 | 1 | | 1500 | 0 | 0 | 1 | 1 | | 1500 |
| 1 | 0 | 1 | 1 | | 1525 | 1 | 0 | 1 | 1 | | 1525 |
| 0 | 1 | 1 | 1 | | 1560 | 0 | 1 | 1 | 1 | | 1560 |
| 1 | 1 | 1 | 1 | | 1600 | 1 | 1 | 1 | 1 | | 1600 |

| SWITCH SETTING | | | | RECOMMENDED AIRFLOW (CFM) | | SWITCH SETTING | | | | RECOMMENDED AIRFLOW (CFM) | |
|----------------|----------|----------|----------|---------------------------|-------------|----------------|----------|----------|----------|---------------------------|-------------|
| 5 | 6 | 7 | 8 | | | 5 | 6 | 7 | 8 | | |
| 0 | 0 | 0 | 0 | 3 TON | 1110 | 0 | 0 | 0 | 0 | 3.5 TON | 1180 |
| 1 | 0 | 0 | 0 | | 1145 | 1 | 0 | 0 | 0 | | 1250 |
| 0 | 1 | 0 | 0 | | 1180 | 0 | 1 | 0 | 0 | | 1320 |
| 1 | 1 | 0 | 0 | | 1215 | 1 | 1 | 0 | 0 | | 1380 |
| 0 | 0 | 1 | 0 | | 1250 | 0 | 0 | 1 | 0 | | 1440 |
| 1 | 0 | 1 | 0 | | 1285 | 1 | 0 | 1 | 0 | | 1500 |
| 0 | 1 | 1 | 0 | | 1320 | 0 | 1 | 1 | 0 | | 1560 |
| 1 | 1 | 1 | 0 | | 1355 | 1 | 1 | 1 | 0 | | 1610 |
| 0 | 0 | 0 | 1 | | 1390 | 0 | 0 | 0 | 1 | | 1660 |
| 1 | 0 | 0 | 1 | | 1430 | 1 | 0 | 0 | 1 | | 1710 |
| 0 | 1 | 0 | 1 | | 1480 | 0 | 1 | 0 | 1 | | 1740 |
| 1 | 1 | 0 | 1 | | 1525 | 1 | 1 | 0 | 1 | | 1770 |
| 0 | 0 | 1 | 1 | | 1575 | 0 | 0 | 1 | 1 | | 1800 |
| 1 | 0 | 1 | 1 | | 1625 | 1 | 0 | 1 | 1 | | 1830 |
| 0 | 1 | 1 | 1 | | 1675 | 0 | 1 | 1 | 1 | | 1860 |
| 1 | 1 | 1 | 1 | | 1725 | 1 | 1 | 1 | 1 | | 1895 |

| SWITCH SETTING | | | | RECOMMENDED AIRFLOW (CFM) | | SWITCH SETTING | | | | RECOMMENDED AIRFLOW (CFM) | |
|----------------|----------|----------|----------|---------------------------|-------------|----------------|----------|----------|----------|---------------------------|-------------|
| 5 | 6 | 7 | 8 | | | 5 | 6 | 7 | 8 | | |
| 0 | 0 | 0 | 0 | 4 TON | 1180 | 0 | 0 | 0 | 0 | 5 TON | 1180 |
| 1 | 0 | 0 | 0 | | 1250 | 1 | 0 | 0 | 0 | | 1250 |
| 0 | 1 | 0 | 0 | | 1320 | 0 | 1 | 0 | 0 | | 1320 |
| 1 | 1 | 0 | 0 | | 1380 | 1 | 1 | 0 | 0 | | 1380 |
| 0 | 0 | 1 | 0 | | 1440 | 0 | 0 | 1 | 0 | | 1440 |
| 1 | 0 | 1 | 0 | | 1500 | 1 | 0 | 1 | 0 | | 1500 |
| 0 | 1 | 1 | 0 | | 1560 | 0 | 1 | 1 | 0 | | 1560 |
| 1 | 1 | 1 | 0 | | 1610 | 1 | 1 | 1 | 0 | | 1610 |
| 0 | 0 | 0 | 1 | | 1660 | 0 | 0 | 0 | 1 | | 1660 |
| 1 | 0 | 0 | 1 | | 1710 | 1 | 0 | 0 | 1 | | 1710 |
| 0 | 1 | 0 | 1 | | 1740 | 0 | 1 | 0 | 1 | | 1740 |
| 1 | 1 | 0 | 1 | | 1770 | 1 | 1 | 0 | 1 | | 1770 |
| 0 | 0 | 1 | 1 | | 1800 | 0 | 0 | 1 | 1 | | 1800 |
| 1 | 0 | 1 | 1 | | 1830 | 1 | 0 | 1 | 1 | | 1830 |
| 0 | 1 | 1 | 1 | | 1860 | 0 | 1 | 1 | 1 | | 1860 |
| 1 | 1 | 1 | 1 | | 1895 | 1 | 1 | 1 | 1 | | 1895 |

NOTE: Factory settings & recommended operating range are highlighted in bold / italics.

Table 1. Cooling Airflow Settings

| SWITCH SETTING | | | | 2 & 2.5 TON CFM | | | | SWITCH SETTING | | | | 3.5 TON CFM | | | |
|----------------|----------|----------|----------|-----------------|-----------|-------------|-----------|----------------|----------|----------|----------|-------------|-----------|-------------|-----------|
| | | | | LOW HEAT | | HIGH HEAT | | | | | | LOW HEAT | | HIGH HEAT | |
| | | | | 39,000 | | 60,000 | | | | | | 52,000 | | 80,000 | |
| 1 | 2 | 3 | 4 | CFM | RISE | CFM | RISE | 1 | 2 | 3 | 4 | CFM | RISE | CFM | RISE |
| 0 | 0 | 0 | 0 | 600 | 57 | 800 | 66 | 0 | 0 | 0 | 0 | 885 | 55 | 1180 | 64 |
| 1 | 0 | 0 | 0 | 656 | 52 | 875 | 60 | 1 | 0 | 0 | 0 | 938 | 52 | 1250 | 61 |
| 0 | 1 | 0 | 0 | 694 | 49 | 925 | 57 | 0 | 1 | 0 | 0 | 990 | 49 | 1320 | 58 |
| 1 | 1 | 0 | 0 | 750 | 46 | 1000 | 53 | 1 | 1 | 0 | 0 | 1035 | 47 | 1380 | 55 |
| 0 | 0 | 1 | 0 | 806 | 43 | 1075 | 49 | 0 | 0 | 1 | 0 | 1080 | 45 | 1440 | 53 |
| 1 | 0 | 1 | 0 | 844 | 41 | 1125 | 47 | 1 | 0 | 1 | 0 | 1125 | 43 | 1500 | 51 |
| 0 | 1 | 1 | 0 | 881 | 39 | 1175 | 45 | 0 | 1 | 1 | 0 | 1170 | 42 | 1560 | 49 |
| 1 | 1 | 1 | 0 | 919 | 37 | 1225 | 43 | 1 | 1 | 1 | 0 | 1208 | 41 | 1610 | 47 |
| 0 | 0 | 0 | 1 | 975 | 35 | 1300 | 40 | 0 | 0 | 0 | 1 | 1245 | 40 | 1660 | 45 |
| 1 | 0 | 0 | 1 | 1013 | 34 | 1350 | 39 | 1 | 0 | 0 | 1 | 1283 | 39 | 1710 | 44 |
| 0 | 1 | 0 | 1 | 1050 | 33 | 1400 | 38 | 0 | 1 | 0 | 1 | 1305 | 38 | 1740 | 43 |
| 1 | 1 | 0 | 1 | 1088 | 32 | 1450 | 36 | 1 | 1 | 0 | 1 | 1328 | 37 | 1770 | 42 |
| 0 | 0 | 1 | 1 | 1125 | 30 | 1500 | 35 | 0 | 0 | 1 | 1 | 1350 | 36 | 1800 | 41 |
| 1 | 0 | 1 | 1 | 1144 | 30 | 1525 | 35 | 1 | 0 | 1 | 1 | 1373 | 35 | 1830 | 40 |
| 0 | 1 | 1 | 1 | 1170 | 29 | 1560 | 34 | 0 | 1 | 1 | 1 | 1395 | 34 | 1860 | 39 |
| 1 | 1 | 1 | 1 | 1200 | 29 | 1600 | 33 | 1 | 1 | 1 | 1 | 1421 | 34 | 1895 | 39 |

| SWITCH SETTING | | | | 3 TON CFM | | | | SWITCH SETTING | | | | 4 & 5 TON CFM | | | |
|----------------|----------|----------|----------|-------------|-----------|-------------|-----------|----------------|----------|----------|----------|---------------|-----------|-------------|-----------|
| | | | | LOW HEAT | | HIGH HEAT | | | | | | LOW HEAT | | HIGH HEAT | |
| | | | | 52,000 | | 80,000 | | | | | | 62,400 | | 96,000 | |
| 1 | 2 | 3 | 4 | CFM | RISE | CFM | RISE | 1 | 2 | 3 | 4 | CFM | RISE | CFM | RISE |
| 0 | 0 | 0 | 0 | 833 | 55 | 1110 | 63 | 0 | 0 | 0 | 0 | 885 | 62 | 1180 | 73 |
| 1 | 0 | 0 | 0 | 859 | 53 | 1145 | 61 | 1 | 0 | 0 | 0 | 938 | 59 | 1250 | 70 |
| 0 | 1 | 0 | 0 | 885 | 52 | 1180 | 60 | 0 | 1 | 0 | 0 | 990 | 55 | 1320 | 67 |
| 1 | 1 | 0 | 0 | 911 | 50 | 1215 | 58 | 1 | 1 | 0 | 0 | 1035 | 53 | 1380 | 65 |
| 0 | 0 | 1 | 0 | 938 | 49 | 1250 | 56 | 0 | 0 | 1 | 0 | 1080 | 51 | 1440 | 63 |
| 1 | 0 | 1 | 0 | 964 | 47 | 1285 | 55 | 1 | 0 | 1 | 0 | 1125 | 49 | 1500 | 61 |
| 0 | 1 | 1 | 0 | 990 | 46 | 1320 | 53 | 0 | 1 | 1 | 0 | 1170 | 47 | 1560 | 59 |
| 1 | 1 | 1 | 0 | 1016 | 45 | 1355 | 52 | 1 | 1 | 1 | 0 | 1208 | 46 | 1610 | 57 |
| 0 | 0 | 0 | 1 | 1043 | 44 | 1390 | 50 | 0 | 0 | 0 | 1 | 1245 | 45 | 1660 | 55 |
| 1 | 0 | 0 | 1 | 1073 | 43 | 1430 | 49 | 1 | 0 | 0 | 1 | 1283 | 44 | 1710 | 54 |
| 0 | 1 | 0 | 1 | 1110 | 41 | 1480 | 48 | 0 | 1 | 0 | 1 | 1305 | 43 | 1740 | 53 |
| 1 | 1 | 0 | 1 | 1144 | 40 | 1525 | 46 | 1 | 1 | 0 | 1 | 1328 | 42 | 1770 | 52 |
| 0 | 0 | 1 | 1 | 1181 | 39 | 1575 | 45 | 0 | 0 | 1 | 1 | 1350 | 41 | 1800 | 51 |
| 1 | 0 | 1 | 1 | 1219 | 38 | 1625 | 43 | 1 | 0 | 1 | 1 | 1373 | 40 | 1830 | 50 |
| 0 | 1 | 1 | 1 | 1256 | 36 | 1675 | 42 | 0 | 1 | 1 | 1 | 1395 | 39 | 1860 | 49 |
| 1 | 1 | 1 | 1 | 1294 | 35 | 1725 | 41 | 1 | 1 | 1 | 1 | 1421 | 39 | 1895 | 48 |

NOTES:

1. Factory settings are bold / italicized. Use of any other switch setting may result in nuisance trips and should be verified for the application.
2. Temperature rises in tables are approximate. Actual temperature rises may vary.
3. Shaded areas are not approved for proper operation of equipment.

Table 2. Heating Airflow Settings

EXPANDED RATINGS

R8HE-X24KA

| O.D.T | | | 65°F | | | 75°F | | | 85°F | | | 95°F | | | 105°F | | | 115°F | | |
|-------|--------|--------|------|------|------|------|------|------|------|------|------|-------------|-------------|-------------|-------|------|------|-------|------|------|
| CFM | E.D.B. | E.W.B. | T.C. | S.C. | K.W. | T.C. | S.C. | K.W. | T.C. | S.C. | K.W. | T.C. | S.C. | K.W. | T.C. | S.C. | K.W. | T.C. | S.C. | K.W. |
| 700 | 80 | 62 | 30.6 | 18.9 | 1.31 | 29.0 | 18.3 | 1.45 | 27.3 | 17.6 | 1.62 | 25.5 | 16.8 | 1.83 | 23.6 | 15.8 | 2.07 | 21.6 | 14.8 | 2.33 |
| | 80 | 67 | 33.8 | 15.6 | 1.32 | 32.1 | 14.9 | 1.46 | 30.4 | 14.1 | 1.63 | 28.5 | 13.1 | 1.83 | 26.6 | 12.1 | 2.06 | 24.5 | 10.9 | 2.33 |
| | 80 | 72 | 36.0 | 12.0 | 1.33 | 34.4 | 11.2 | 1.46 | 32.6 | 10.2 | 1.63 | 30.6 | 9.2 | 1.83 | 28.6 | 8.0 | 2.06 | 26.5 | 6.7 | 2.32 |
| | 75 | 62 | 29.9 | 14.9 | 1.30 | 28.3 | 14.3 | 1.44 | 26.6 | 13.6 | 1.62 | 24.8 | 12.7 | 1.82 | 22.9 | 11.8 | 2.06 | 20.8 | 10.8 | 2.33 |
| 800 | 80 | 62 | 27.7 | 22.8 | 1.35 | 26.1 | 22.2 | 1.49 | 24.4 | 21.5 | 1.67 | 22.6 | 20.7 | 1.87 | 20.7 | 19.8 | 2.11 | 18.6 | 18.6 | 2.38 |
| | 80 | 67 | 30.8 | 19.5 | 1.36 | 29.2 | 18.8 | 1.50 | 27.5 | 18.0 | 1.67 | 25.6 | 17.0 | 1.87 | 23.6 | 16.0 | 2.11 | 21.6 | 14.8 | 2.37 |
| | 80 | 72 | 33.1 | 15.9 | 1.37 | 31.4 | 15.1 | 1.51 | 29.6 | 14.2 | 1.67 | 27.7 | 13.1 | 1.87 | 25.7 | 11.9 | 2.10 | 23.6 | 10.7 | 2.37 |
| | 75 | 62 | 27.0 | 18.8 | 1.35 | 25.4 | 18.2 | 1.49 | 23.7 | 17.5 | 1.66 | 21.9 | 16.7 | 1.87 | 20.0 | 15.7 | 2.10 | 17.9 | 14.7 | 2.37 |
| 900 | 80 | 62 | 27.4 | 24.7 | 1.38 | 25.8 | 24.1 | 1.52 | 24.1 | 23.4 | 1.70 | 22.3 | 22.3 | 1.90 | 20.4 | 20.4 | 2.14 | 18.4 | 18.4 | 2.41 |
| | 80 | 67 | 30.6 | 21.4 | 1.39 | 28.9 | 20.7 | 1.53 | 27.2 | 19.9 | 1.70 | 25.3 | 18.9 | 1.90 | 23.4 | 17.9 | 2.14 | 21.3 | 16.7 | 2.40 |
| | 80 | 72 | 32.8 | 17.8 | 1.40 | 31.2 | 17.0 | 1.54 | 29.4 | 16.1 | 1.70 | 27.5 | 15.0 | 1.90 | 25.4 | 13.8 | 2.13 | 23.3 | 12.6 | 2.40 |
| | 75 | 62 | 26.7 | 20.7 | 1.38 | 25.1 | 20.1 | 1.52 | 23.4 | 19.4 | 1.69 | 21.6 | 18.6 | 1.90 | 19.7 | 17.6 | 2.13 | 17.6 | 16.6 | 2.40 |

R8HE-X30KA

| O.D.T | | | 65°F | | | 75°F | | | 85°F | | | 95°F | | | 105°F | | | 115°F | | |
|-------|--------|--------|------|------|------|------|------|------|------|------|------|-------------|-------------|-------------|-------|------|------|-------|------|------|
| CFM | E.D.B. | E.W.B. | T.C. | S.C. | K.W. | T.C. | S.C. | K.W. | T.C. | S.C. | K.W. | T.C. | S.C. | K.W. | T.C. | S.C. | K.W. | T.C. | S.C. | K.W. |
| 900 | 80 | 62 | 32.5 | 26.5 | 1.72 | 30.8 | 25.8 | 1.84 | 28.8 | 25.0 | 2.02 | 26.5 | 24.3 | 2.25 | 23.9 | 23.5 | 2.53 | 21.1 | 21.1 | 2.87 |
| | 80 | 67 | 32.1 | 24.2 | 1.46 | 30.7 | 23.4 | 1.55 | 28.9 | 22.5 | 1.70 | 26.8 | 21.6 | 1.90 | 24.5 | 20.6 | 2.15 | 21.8 | 19.6 | 2.45 |
| | 80 | 72 | 33.9 | 17.1 | 1.89 | 32.6 | 16.1 | 1.95 | 31.1 | 15.0 | 2.07 | 29.2 | 14.0 | 2.24 | 27.1 | 12.9 | 2.46 | 24.6 | 11.7 | 2.73 |
| | 75 | 62 | 37.1 | 20.7 | 2.35 | 34.3 | 20.1 | 2.36 | 31.2 | 19.5 | 2.42 | 27.8 | 18.8 | 2.53 | 24.1 | 18.1 | 2.70 | 20.1 | 17.4 | 2.92 |
| 1100 | 80 | 62 | 35.8 | 27.1 | 2.22 | 34.1 | 26.4 | 2.35 | 32.1 | 25.7 | 2.53 | 29.8 | 24.9 | 2.76 | 27.2 | 24.1 | 3.04 | 24.4 | 23.3 | 3.38 |
| | 80 | 67 | 35.4 | 24.9 | 1.96 | 34.0 | 24.0 | 2.06 | 32.2 | 23.1 | 2.20 | 30.1 | 22.2 | 2.40 | 27.8 | 21.3 | 2.66 | 25.1 | 20.3 | 2.96 |
| | 80 | 72 | 37.2 | 17.7 | 2.40 | 35.9 | 16.7 | 2.46 | 34.4 | 15.7 | 2.57 | 32.5 | 14.6 | 2.74 | 30.4 | 13.5 | 2.97 | 28.0 | 12.4 | 3.24 |
| | 75 | 62 | 40.5 | 21.3 | 2.86 | 37.6 | 20.7 | 2.87 | 34.5 | 20.1 | 2.93 | 31.1 | 19.4 | 3.04 | 27.4 | 18.7 | 3.21 | 23.5 | 18.0 | 3.43 |
| 1200 | 80 | 62 | 35.7 | 28.5 | 2.12 | 34.0 | 27.8 | 2.25 | 32.0 | 27.1 | 2.43 | 29.7 | 26.3 | 2.66 | 27.1 | 25.5 | 2.94 | 24.3 | 24.3 | 3.28 |
| | 80 | 67 | 35.3 | 26.2 | 1.86 | 33.9 | 25.4 | 1.96 | 32.1 | 24.5 | 2.10 | 30.0 | 23.6 | 2.30 | 27.7 | 22.6 | 2.56 | 25.0 | 21.7 | 2.86 |
| | 80 | 72 | 37.1 | 19.1 | 2.30 | 35.8 | 18.1 | 2.36 | 34.3 | 17.0 | 2.47 | 32.4 | 16.0 | 2.64 | 30.3 | 14.9 | 2.86 | 27.9 | 13.8 | 3.14 |
| | 75 | 62 | 40.4 | 22.7 | 2.76 | 37.6 | 22.1 | 2.77 | 34.4 | 21.5 | 2.83 | 31.0 | 20.8 | 2.94 | 27.3 | 20.1 | 3.11 | 23.4 | 19.4 | 3.33 |

R8HE-X36KA

| O.D.T | | | 65°F | | | 75°F | | | 85°F | | | 95°F | | | 105°F | | | 115°F | | |
|-------|--------|--------|------|------|------|------|------|------|------|------|------|-------------|-------------|-------------|-------|------|------|-------|------|------|
| CFM | E.D.B. | E.W.B. | T.C. | S.C. | K.W. | T.C. | S.C. | K.W. | T.C. | S.C. | K.W. | T.C. | S.C. | K.W. | T.C. | S.C. | K.W. | T.C. | S.C. | K.W. |
| 1050 | 80 | 62 | 38.3 | 31.8 | 2.16 | 36.7 | 31.3 | 2.35 | 34.7 | 30.5 | 2.58 | 32.3 | 29.5 | 2.88 | 29.5 | 28.3 | 3.22 | 26.2 | 26.2 | 3.61 |
| | 80 | 67 | 38.7 | 23.6 | 2.18 | 37.2 | 22.9 | 2.36 | 35.3 | 22.0 | 2.60 | 32.9 | 20.9 | 2.90 | 30.2 | 19.6 | 3.24 | 27.0 | 18.1 | 3.63 |
| | 80 | 72 | 44.2 | 21.5 | 2.19 | 42.7 | 20.7 | 2.38 | 40.9 | 19.6 | 2.62 | 38.6 | 18.4 | 2.92 | 35.9 | 17.0 | 3.26 | 32.8 | 15.4 | 3.65 |
| | 75 | 62 | 37.1 | 28.3 | 2.12 | 35.9 | 27.5 | 2.32 | 34.3 | 26.5 | 2.56 | 32.2 | 25.4 | 2.87 | 29.8 | 24.0 | 3.22 | 26.9 | 22.5 | 3.62 |
| 1200 | 80 | 62 | 41.3 | 36.3 | 2.25 | 39.7 | 35.7 | 2.44 | 37.7 | 34.9 | 2.68 | 35.3 | 33.9 | 2.97 | 32.5 | 32.5 | 3.31 | 29.2 | 29.2 | 3.70 |
| | 80 | 67 | 41.7 | 28.0 | 2.27 | 40.2 | 27.3 | 2.46 | 38.3 | 26.4 | 2.70 | 35.9 | 25.3 | 2.99 | 33.2 | 24.0 | 3.33 | 30.0 | 22.5 | 3.72 |
| | 80 | 72 | 47.2 | 25.9 | 2.28 | 45.7 | 25.1 | 2.47 | 43.9 | 24.1 | 2.71 | 41.6 | 22.8 | 3.01 | 38.9 | 21.4 | 3.35 | 35.8 | 19.8 | 3.74 |
| | 75 | 62 | 40.1 | 32.7 | 2.21 | 38.9 | 31.9 | 2.41 | 37.3 | 31.0 | 2.66 | 35.2 | 29.8 | 2.96 | 32.8 | 28.5 | 3.31 | 29.9 | 26.9 | 3.71 |
| 1350 | 80 | 62 | 38.9 | 33.6 | 2.37 | 37.3 | 33.0 | 2.56 | 35.3 | 32.2 | 2.80 | 32.9 | 31.2 | 3.09 | 30.1 | 30.1 | 3.43 | 26.8 | 26.8 | 3.83 |
| | 80 | 67 | 39.4 | 25.3 | 2.39 | 37.8 | 24.6 | 2.58 | 35.9 | 23.7 | 2.82 | 33.6 | 22.6 | 3.11 | 30.8 | 21.3 | 3.45 | 27.6 | 19.8 | 3.85 |
| | 80 | 72 | 44.8 | 23.2 | 2.41 | 43.4 | 22.4 | 2.60 | 41.5 | 21.4 | 2.84 | 39.2 | 20.1 | 3.13 | 36.5 | 18.7 | 3.47 | 33.4 | 17.1 | 3.87 |
| | 75 | 62 | 37.7 | 30.0 | 2.33 | 36.5 | 29.2 | 2.53 | 34.9 | 28.3 | 2.78 | 32.9 | 27.1 | 3.08 | 30.4 | 25.8 | 3.43 | 27.6 | 24.2 | 3.84 |

EXPANDED RATINGS Continued

R8HE-X42KA

| O.D.T | | | 65°F | | | 75°F | | | 85°F | | | 95°F | | | 105°F | | | 115°F | | |
|-------|--------|--------|------|------|------|------|------|------|------|------|------|------|------|------|-------|------|------|-------|------|------|
| CFM | E.D.B. | E.W.B. | T.C. | S.C. | K.W. | T.C. | S.C. | K.W. | T.C. | S.C. | K.W. | T.C. | S.C. | K.W. | T.C. | S.C. | K.W. | T.C. | S.C. | K.W. |
| 1200 | 80 | 62 | 48.5 | 48.5 | 2.59 | 45.6 | 45.6 | 2.85 | 42.6 | 42.6 | 3.17 | 39.6 | 39.6 | 3.57 | 36.6 | 36.6 | 4.04 | 33.6 | 33.5 | 4.58 |
| | 80 | 67 | 51.2 | 51.2 | 2.67 | 48.1 | 48.1 | 2.92 | 44.9 | 44.9 | 3.24 | 41.7 | 41.7 | 3.64 | 38.4 | 38.4 | 4.10 | 35.2 | 35.2 | 4.64 |
| | 80 | 72 | 56.3 | 22.7 | 2.65 | 52.9 | 24.7 | 2.90 | 49.5 | 26.1 | 3.22 | 46.1 | 27.0 | 3.61 | 42.6 | 27.2 | 4.07 | 39.1 | 27.0 | 4.61 |
| | 75 | 62 | 47.1 | 37.1 | 2.60 | 44.2 | 35.2 | 2.85 | 41.2 | 32.8 | 3.18 | 38.2 | 29.8 | 3.57 | 35.2 | 26.2 | 4.04 | 32.2 | 22.1 | 4.58 |
| 1350 | 80 | 62 | 49.2 | 30.3 | 2.69 | 46.3 | 28.4 | 2.94 | 43.3 | 26.0 | 3.27 | 40.4 | 23.0 | 3.67 | 37.3 | 19.4 | 4.14 | 34.3 | 15.3 | 4.68 |
| | 80 | 67 | 52.0 | 33.2 | 2.77 | 48.8 | 33.2 | 3.02 | 45.6 | 32.7 | 3.34 | 42.4 | 31.6 | 3.74 | 39.2 | 30.0 | 4.20 | 35.9 | 27.8 | 4.74 |
| | 80 | 72 | 57.1 | 4.5 | 2.75 | 53.7 | 6.5 | 3.00 | 50.3 | 7.9 | 3.32 | 46.8 | 8.8 | 3.71 | 43.3 | 9.0 | 4.17 | 39.8 | 8.8 | 4.71 |
| | 75 | 62 | 47.8 | 18.9 | 2.69 | 44.9 | 17.0 | 2.95 | 41.9 | 14.6 | 3.28 | 38.9 | 11.6 | 3.67 | 35.9 | 8.0 | 4.14 | 32.9 | 3.8 | 4.68 |
| 1500 | 80 | 62 | 50.2 | 50.2 | 2.83 | 47.3 | 47.3 | 3.08 | 44.4 | 44.4 | 3.41 | 41.4 | 41.4 | 3.80 | 38.4 | 38.4 | 4.27 | 35.3 | 35.3 | 4.81 |
| | 80 | 67 | 53.0 | 53.0 | 2.90 | 49.8 | 49.8 | 3.15 | 46.6 | 46.6 | 3.48 | 43.4 | 43.4 | 3.87 | 40.2 | 40.2 | 4.34 | 36.9 | 36.9 | 4.87 |
| | 80 | 72 | 58.1 | 26.7 | 2.88 | 54.7 | 28.7 | 3.13 | 51.3 | 30.1 | 3.45 | 47.8 | 31.0 | 3.84 | 44.3 | 31.3 | 4.31 | 40.9 | 31.0 | 4.84 |
| | 75 | 62 | 48.8 | 41.1 | 2.83 | 45.9 | 39.2 | 3.08 | 42.9 | 36.8 | 3.41 | 40.0 | 33.8 | 3.81 | 36.9 | 30.2 | 4.28 | 33.9 | 26.1 | 4.82 |

R8HE-X48KA

| O.D.T | | | 65°F | | | 75°F | | | 85°F | | | 95°F | | | 105°F | | | 115°F | | |
|-------|--------|--------|------|------|------|------|------|------|------|------|------|------|------|------|-------|------|------|-------|------|------|
| CFM | E.D.B. | E.W.B. | T.C. | S.C. | K.W. | T.C. | S.C. | K.W. | T.C. | S.C. | K.W. | T.C. | S.C. | K.W. | T.C. | S.C. | K.W. | T.C. | S.C. | K.W. |
| 1400 | 80 | 62 | 51.1 | 43.4 | 2.84 | 48.7 | 41.6 | 3.14 | 45.9 | 39.7 | 3.50 | 42.7 | 37.7 | 3.91 | 39.2 | 35.6 | 4.39 | 35.4 | 33.4 | 4.92 |
| | 80 | 67 | 57.4 | 37.5 | 2.92 | 54.7 | 35.7 | 3.22 | 51.6 | 33.9 | 3.58 | 48.2 | 32.0 | 4.00 | 44.4 | 29.9 | 4.47 | 40.3 | 27.7 | 5.01 |
| | 80 | 72 | 61.6 | 29.7 | 2.89 | 58.6 | 28.0 | 3.19 | 55.2 | 26.3 | 3.56 | 51.5 | 24.4 | 3.98 | 47.5 | 22.4 | 4.46 | 43.1 | 20.3 | 4.99 |
| | 75 | 62 | 50.0 | 36.8 | 2.80 | 47.5 | 35.0 | 3.10 | 44.7 | 33.2 | 3.46 | 41.6 | 31.2 | 3.88 | 38.1 | 29.0 | 4.35 | 34.3 | 26.8 | 4.89 |
| 1550 | 80 | 62 | 50.1 | 44.2 | 2.94 | 47.6 | 42.4 | 3.24 | 44.8 | 40.5 | 3.59 | 41.7 | 38.5 | 4.01 | 38.2 | 36.4 | 4.49 | 34.3 | 34.2 | 5.02 |
| | 80 | 67 | 56.3 | 38.3 | 3.01 | 53.6 | 36.6 | 3.32 | 50.5 | 34.7 | 3.68 | 47.1 | 32.8 | 4.10 | 43.4 | 30.7 | 4.57 | 39.3 | 28.6 | 5.11 |
| | 80 | 72 | 60.5 | 30.5 | 2.99 | 57.5 | 28.8 | 3.29 | 54.1 | 27.1 | 3.65 | 50.5 | 25.2 | 4.08 | 46.4 | 23.2 | 4.55 | 42.1 | 21.1 | 5.09 |
| | 75 | 62 | 48.9 | 37.6 | 2.90 | 46.5 | 35.8 | 3.20 | 43.7 | 34.0 | 3.56 | 40.5 | 32.0 | 3.98 | 37.0 | 29.8 | 4.45 | 33.2 | 27.6 | 4.98 |
| 1700 | 80 | 62 | 52.6 | 45.7 | 3.10 | 50.2 | 44.0 | 3.40 | 47.4 | 42.1 | 3.76 | 44.2 | 40.1 | 4.18 | 40.8 | 37.9 | 4.65 | 36.9 | 35.7 | 5.18 |
| | 80 | 67 | 58.9 | 39.8 | 3.18 | 56.2 | 38.1 | 3.48 | 53.1 | 36.3 | 3.84 | 49.7 | 34.3 | 4.26 | 46.0 | 32.3 | 4.74 | 41.9 | 30.1 | 5.27 |
| | 80 | 72 | 63.1 | 32.0 | 3.15 | 60.1 | 30.4 | 3.46 | 56.7 | 28.6 | 3.82 | 53.0 | 26.7 | 4.24 | 49.0 | 24.7 | 4.72 | 44.7 | 22.6 | 5.25 |
| | 75 | 62 | 51.5 | 39.2 | 3.07 | 49.0 | 37.4 | 3.37 | 46.2 | 35.5 | 3.72 | 43.1 | 33.5 | 4.14 | 39.6 | 31.4 | 4.62 | 35.8 | 29.2 | 5.15 |

R8HE-X60KA

| O.D.T | | | 65°F | | | 75°F | | | 85°F | | | 95°F | | | 105°F | | | 115°F | | |
|-------|--------|--------|------|------|------|------|------|------|------|------|------|------|------|------|-------|------|------|-------|------|------|
| CFM | E.D.B. | E.W.B. | T.C. | S.C. | K.W. | T.C. | S.C. | K.W. | T.C. | S.C. | K.W. | T.C. | S.C. | K.W. | T.C. | S.C. | K.W. | T.C. | S.C. | K.W. |
| 1500 | 80 | 62 | 60.6 | 49.5 | 3.44 | 57.6 | 47.8 | 3.78 | 54.2 | 46.1 | 4.20 | 50.6 | 44.2 | 4.69 | 46.7 | 42.3 | 5.27 | 42.6 | 40.3 | 5.93 |
| | 80 | 67 | 67.5 | 42.2 | 3.52 | 64.0 | 40.3 | 3.85 | 60.2 | 38.4 | 4.26 | 56.2 | 36.3 | 4.75 | 51.9 | 34.2 | 5.32 | 47.3 | 32.0 | 5.97 |
| | 80 | 72 | 74.1 | 34.6 | 3.57 | 70.2 | 32.5 | 3.89 | 66.0 | 30.3 | 4.29 | 61.5 | 28.1 | 4.78 | 56.8 | 25.7 | 5.34 | 51.7 | 23.3 | 5.99 |
| | 75 | 62 | 65.9 | 47.1 | 3.07 | 61.6 | 44.4 | 3.48 | 57.0 | 41.6 | 3.98 | 52.2 | 38.7 | 4.55 | 47.0 | 35.8 | 5.21 | 41.6 | 32.8 | 5.95 |
| 1700 | 80 | 62 | 61.7 | 52.6 | 3.60 | 58.7 | 50.9 | 3.94 | 55.3 | 49.1 | 4.36 | 51.7 | 47.2 | 4.85 | 47.8 | 45.3 | 5.43 | 43.7 | 43.3 | 6.09 |
| | 80 | 67 | 68.6 | 45.3 | 3.68 | 65.1 | 43.4 | 4.01 | 61.3 | 41.4 | 4.42 | 57.3 | 39.3 | 4.91 | 53.0 | 37.2 | 5.48 | 48.4 | 35.0 | 6.13 |
| | 80 | 72 | 75.2 | 37.7 | 3.73 | 71.2 | 35.6 | 4.05 | 67.1 | 33.4 | 4.45 | 62.6 | 31.1 | 4.94 | 57.9 | 28.8 | 5.50 | 52.8 | 26.4 | 6.14 |
| | 75 | 62 | 67.0 | 50.2 | 3.23 | 62.7 | 47.4 | 3.64 | 58.1 | 44.6 | 4.14 | 53.3 | 41.8 | 4.71 | 48.1 | 38.8 | 5.37 | 42.7 | 35.8 | 6.11 |
| 1900 | 80 | 62 | 61.9 | 53.1 | 3.88 | 58.8 | 51.4 | 4.21 | 55.5 | 49.6 | 4.63 | 51.9 | 47.7 | 5.13 | 48.0 | 45.8 | 5.71 | 43.8 | 43.8 | 6.36 |
| | 80 | 67 | 68.7 | 45.8 | 3.95 | 65.2 | 43.9 | 4.28 | 61.5 | 41.9 | 4.69 | 57.4 | 39.8 | 5.18 | 53.1 | 37.7 | 5.75 | 48.5 | 35.5 | 6.40 |
| | 80 | 72 | 75.3 | 38.2 | 4.00 | 71.4 | 36.1 | 4.33 | 67.2 | 33.9 | 4.73 | 62.7 | 31.6 | 5.21 | 58.0 | 29.3 | 5.78 | 53.0 | 26.9 | 6.42 |
| | 75 | 62 | 67.1 | 50.7 | 3.50 | 62.8 | 48.0 | 3.92 | 58.3 | 45.2 | 4.41 | 53.4 | 42.3 | 4.99 | 48.3 | 39.3 | 5.65 | 42.9 | 36.3 | 6.38 |

R8HE ACCESSORIES

| Description | Part Number |
|--|-------------|
| Roof Curb (8") | 547830A |
| Roof Curb (14") | 547831A |
| Roof Curb (18") | 547850A |
| Roof Curb (24") | 547851A |
| Cap, Duct Adapter, 12" Round | 913811A |
| Cap, Duct Adapter, 14" Round | 913812A |
| Supply/return transition, 16" | 547834 |
| Supply/return transition, 18" | 547835 |
| Concentric diffuser, flush, 16" | 547836 |
| Concentric diffuser, flush, 18" | 547837 |
| Concentric diffuser, step down 16" | 547838 |
| Concentric diffuser, step down 18" | 547839 |
| Manual Fresh Air Damper | 547832 |
| Motorized Fresh Air Damper | 547840 |
| Economizer, Downflow, Modulating w/filter (does not require filter kit) 2 - 3 Ton | 547833 |
| Economizer, Downflow, Modulating w/filter (does not require filter kit) 3.5 - 5 Ton | 558870 |
| Economizer, Horizontal, Modulating 2 - 5 Ton | 547841 |
| Power Exhaust, Downflow (application requires downflow economizer) (Special Order) | 547842 |
| Power Exhaust, Horizontal (application requires horizontal economizer) (Special Order) | 547843 |
| Filter Kit 3.5 Ton | 547888 |
| Filter Kit 4 Ton | 547889 |
| Filter Kit, All Downflow Applications (not required with economizer) 2 - 3.5 Ton | 547885 |
| Hood Type Hail Guard, Coil Dim. 30" X 76" 2, 2.5, 3 Ton | 547845 |
| Hood Type Hail Guard, Coil Dim. 34" X 76" 3.5 Ton | 547846 |
| Hood Type Hail Guard, Coil Dim. 38" X 76" 4, 5 Ton | 547847 |
| Duct Smoke Detector Photo Elec | 558863 |
| Multi Signal Control | 547893 |
| Sampling Tube DST3, 2-4ft | 558864 |
| Sampling Tube DST5, 4-8ft | 558865 |
| Low Ambient Kit | 918837 |
| U.S. - LP Gas/High Elevation Conversion Kit (0 - 10,000 ft. above sea level) | 922311 |
| Canada - LP Gas/High Elevation Conversion Kit (0 - 4,500 ft. above sea level) | 922312 |
| Universal Hard Start Kit | 912933 |
| Skirt Trim Kit | 919729 |
| Extreme High Wind Kit - Roof Curb Mount | 903696 |
| Extreme High Wind Kit - Ground Mount | 903695 |
| Freezestat Kit | 917108 |
| Control, CO2 Sensor | 547848 |
| Horizontal Condensate Drain/Vent Kit (Heat Exchanger) | 922323 |
| Downflow Condensate Drain/Vent Kit (Heat Exchanger) | 922485 |



GENERAL TERMS OF LIMITED WARRANTY

NORDYNE will furnish a replacement for any part of this product which fails in normal use and service within the first ten years of installation, in accordance with the terms of the warranty.

For complete details of the Limited Warranty, including applicable terms and conditions, see your local installer or contact the NORDYNE warranty department for a copy.

NORDYNE

COMPLETE COMFORT. GENUINE VALUE.

8000 Phoenix Parkway | O'Fallon, MO 63368-3827

Specifications and illustrations subject to change without notice and without incurring obligations. Printed in U.S.A (10/2014)

199E-1014 (Replaces 199E-0714)

www.maytaghvac.com

®Registered Trademark/™Trademark of Maytag Properties, LLC or its related companies. © Nortek Global HVAC LLC. All rights reserved. Manufactured under license by Nortek Global HVAC LLC, O'Fallon, MO.