

# MAZDA MIATA 1990-97

## MAZDA MIATA 1990-97

### SECTION INDEX

A/C /HEATER.....	221
A/C REFRIGERANT CAPACITIES.....	221
ABS/BRAKES.....	223
AIR BAG SYSTEM.....	222
AIR CLEANER.....	225
BACK WINDOW.....	230
CENTER CONSOLE.....	227
CLEAR COAT IDENTIFICATION.....	220
CONVERTIBLE TOP.....	229
COOLING.....	221
COWL & DASH.....	226
CRUISE CONTROL SYSTEM.....	222
ELECTRICAL.....	226
EMISSION SYSTEM.....	226
ENGINE MOUNTS.....	225
ENGINE/TRANS.....	225
EXHAUST.....	226
FRONT BUMPER.....	220
FRONT DOOR.....	228
FRONT FENDER.....	222
FRONT INNER STRUCTURE.....	222
FRONT LAMPS.....	220
FRONT STEERING LINKAGE/GEAR.....	224
FRONT SUSPENSION.....	223
FUEL TANK.....	231
HARDTOP.....	230
HOOD.....	221
INFORMATION LABELS.....	220
INSTRUMENT PANEL.....	227
LUGGAGE LID.....	231
PAINT CODE LOCATION.....	220
QUARTER PANEL.....	230
REAR BODY.....	231
REAR BUMPER.....	232
REAR DRIVE AXLE.....	231
REAR LAMPS.....	232
REAR SUSPENSION.....	231
ROCKER/PILLARS/FLOOR.....	227
SEAT.....	228
SEAT BELTS.....	228
SPECIAL CAUTIONS.....	220
STEERING PUMP.....	224
STEERING WHEEL/COLUMN.....	224
UNDERHOOD DIMENSIONS.....	222
WHEEL.....	223
WINDSHIELD.....	226

### SPECIAL CAUTIONS

#### AIR BAGS

Refer to Procedure Explanation 29 for Supplemental Restraint/Air Bag Special Cautions.

#### SUSPENSION

Manufacturer advises that some new fasteners must be used whenever old fasteners are loosened or removed.

#### PAINT CODE LOCATION

Paint code located on left lock pillar.

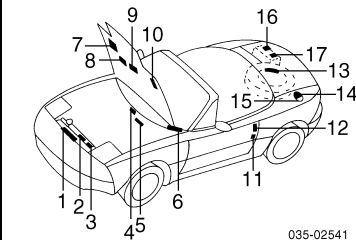
#### CLEAR COAT IDENTIFICATION

All metallic colors are clear coat.

#### INFORMATION LABELS

Illustration Located in Next Column

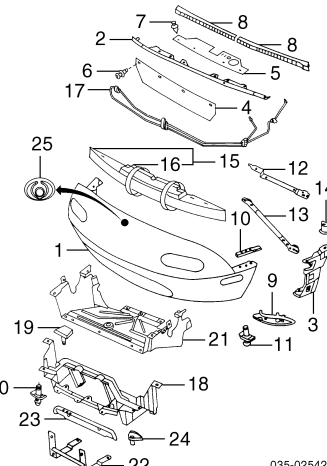
1 Label, Headlamp	NA04-51-S02
2 Label, Radiator Caution	0488-15-201
3 Label, Fan Caution	B660-15-031
4 Label, Model	90-93 8595-69-011B 94 NA01-69-068A 95-97 B001-69-D51 90-93 NA01-57-K92 94 KA78-57-K91 NA01-69-068A
5 Label, Air Bag Caution	
6 Label, VIN	



035-02541

7 Label, Emission	
1990-91	
w/Calif Emission	NA01-69-036D
w/o Calif Emission	NA04-69-036C
1992	
w/Calif Emission	NA01-69-036E
w/o Calif Emission	NA04-69-036D
1993	
w/Calif Emission	NA01-69-036G
w/o Calif Emission	NA04-69-036E
1994	
USA	NA75-69-036
Canada	
English	N.A.
French	N.A.
1995	
USA	NB11-69-036
Canada	
English	N.A.
French	N.A.
1996-97	
USA	NB38-69-036
Canada	
English	N.A.
French	N.A.
8 Label, Caution	90-93 NA01-57-K91 94 KA78-57-K91 90-93 NA01-69-044 94-96 NA75-69-044 97 NB38-69-044 NA75-61-439 NA01-69-014A
9 Label, Vacuum Diaphragm	
10 Label, A/C	
11 Label, Tire	
12 Label, Safety Panel	
Canada	N.A.
13 Label, Spare Tire	
English	BF68-69-073B
French	N.A.
14 Label, Fuel Warning	KA10-69-D61A
15 Label, Unleaded Fuel	UB40-69-C61
16 Label, Battery	FA03-69-C72A
17 Label, Battery	FA01-69-064B

### FRONT BUMPER



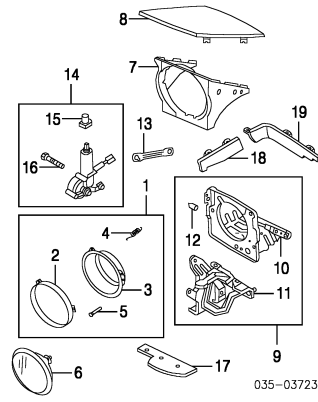
035-02542

1 Cover, Front (P)	NA71-50-030A
(P) Paint to Match	
2 Retainer, Center Cover	NA01-50-0K0B
3 Retainer, Outer	NA01-50-0J1 NA01-50-0J5
4 Seal, Lower	90-96 NA75-50-0K6A 97 N.A.
5 Seal, Upper	NA75-50-0K7A

6 Fastener, Lwr Seal (8)	90-96 UB39-50-795 97 N.A.
7 Fastener, Upper Seal (4)	NA01-56-145
8 Plate, Center Support	R NA01-50-2A0B L NA01-50-1AYC
9 Plate, Outer Support	R NA01-50-1B0 L NA01-50-1C0
10 Seal, Cover	R/L NA01-50-0G9
11 Fastener, Cover	R/L BF82-50-233
12 Bracket, Upper	R/L NA01-50-1Z7B
13 Bracket, Upper	L NA01-50-160
14 Slide, Bumper	R/L B032-50-032
15 Bar Assy, Reinforcement	NA01-50-070
16 Spacer, Reinf Bar	NA01-50-114
*Included w/Reinforcement Bar Assy	
17 Pipe, Strg Return/Cooler-See Steering Pump Section	
18 Guide, Air	
w/ABS	NA23-50-A20A NA01-50-A20B
w/o ABS	NA01-50-101A
19 Cover, Air Guide (3)	BF67-50-033
20 Fastener (2)	NA01-56-111F
21 Cover, Under	NA01-50-180A
22 Frame, License	FB01-50-144
23 Protector, License	R/L NA01-50-18X
24 Bracket, Frame	
25 Emblem	
1990-93	NA04-51-711-14
Light Gray	NA04-51-711-18
Dark Gray	BB1H-51-731
1994-97	

### FRONT LAMPS

#### HEADLAMP



035-03723

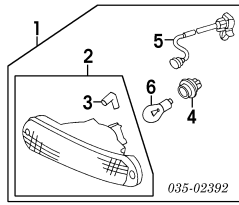
1 Lamp Assy	R 8BN1-51-030A L 8BN1-51-040A
2 Ring, Retaining	R/L NA01-51-033A
3 Ring, Mounting	R NA01-51-032 L NA01-51-034
4 Spring, Adjust	R/L NA01-51-046
5 Screw, Adjust (2/Side)	R/L NA01-51-037
*Included w/Lamp Assy	
6 Sealed Beam	R/L 0000-11-6024-HL
7 Bezel, Headlamp	R NA01-50-741 L NA01-50-751
Screw, Headlamp (4/Side)	R/L B481-50-75X
8 Lid, Lamp	R NA01-51-SH1B L NA01-51-SH2B
Screw, Lid (4/Side)	90-93 R/L 9074-00-512 94-97 R/L BS34-51-S25A
9 Hinge Assy	R NA01-51-SC0B L NA01-51-SD0B
10 Housing, Hinge	R NA01-51-SC5B L NA01-51-SD5B
11 Bracket, Hinge	R NA01-51-SC1A L NA01-51-SD1A
12 Cap, Hinge	R/L KA01-51-SD6
*Included w/Hinge Assy	
13 Rod, Retractable	R/L NA01-51-SA5
14 Motor Assy	R NA01-51-SAX L NA01-51-SBX
15 Boot, Motor	R/L NA01-51-669
16 Bolt, Motor	R/L FB01-51-665
*Included w/Motor Assy	
17 Protector, Lamp Front	R/L NA01-51-SJ2A
18 Protector, Lamp	L NA01-51-SK2
19 Protector, Lamp Rear	R NA01-51-SE1 L NA01-51-SE2

#### PARK/SIGNAL LAMP

Illustration Located in Next Column

1 Lamp Assy	R 8BN1-51-060
-------------	---------------

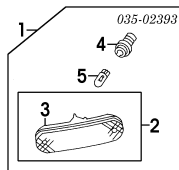
# MAZDA MIATA 1990-97



035-02392

- 2 Lens & Housing Assy† L 8BN1-51-070  
R NA01-51-06XA  
L NA01-51-07XA
- 3 Tube, Lamp† (a) R/L NA01-51-069  
(a) Included w/Lens & Housing Assy
- 4 Socket† R/L NA01-51-064
- 5 Wire† USA-Serviced w/Socket  
Canada R/L N.A.
- 6 Bulb† R/L 0000-11-0194  
†Included w/Lamp Assy

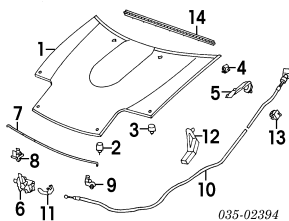
## SIDE MARKER LAMP



035-02393

- 1 Lamp Assy R 8BN1-51-120  
L 8BN1-51-130
- 2 Lens & Body Assy† 90 R NA01-51-5E1C  
L NA01-51-5F1C  
91-97 R NA01-51-5E2XA  
L NA01-51-5F2XA
- 3 Gasket, Lens† (a) R/L NA01-51-5D3A  
(a) Included w/Lens & Body Assy
- 4 Socket† R/L NA01-51-5E2
- 5 Bulb† R/L 0000-11-1157-NA  
†Included w/Lamp Assy

## HOOD



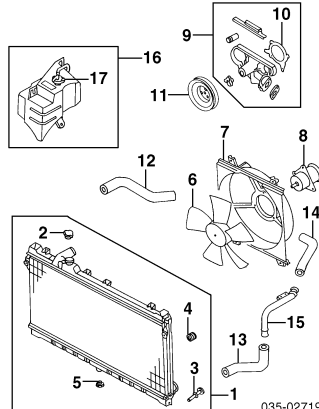
035-02394

- 1 Panel, Hood NAY1-52-310D
- 2 Cushion, Front Rubber R/L FB01-56-787B
- 3 Cushion, Center Rubber R/L FB01-56-786A
- 4 Cushion, Rear Rubber R/L NA01-56-78X
- 5 Hinge R NA01-52-410D  
L NA01-52-420D
- 6 Latch NA01-56-620C
- 7 Rod, Support 90-93 NA01-56-650  
94-97 NA75-56-650A
- 8 Holder, Rod Front G030-56-693A
- 9 Holder, Rod Rear B092-52-518
- 10 Cable, Release NA01-56-720D
- 11 Fastener, Cable LA01-56-631
- 12 Holder, Cable H115-45-916A
- 13 Clip, Cable G030-67-519
- 14 Seal, Cowl NA01-56-760

## COOLING

Illustration Located in Next Column

- 1 Radiator Assy



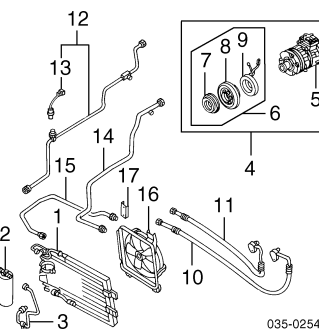
035-02719

- Man Trans 90-93 BPE8-15-200  
94-97 BPE8-15-200
- Auto Trans 90-93 B64J-15-200C  
94-97 BPE9-15-200
- 2 Cap, Radiator† D316-15-205
- 3 Cock, Drain† NF01-15-203
- 4 Mount, Rad Upper† R/L N325-15-202
- 5 Mount, Rad Lower† R/L B61P-15-202  
†Included w/Radiator Assy
- 6 Fan, Cooling Man Trans 90-91 B61P-15-140  
92-97 B61P-15-140A  
90-91 B6S8-15-140A  
92-97 B64J-15-140  
B61P-15-210B
- Auto Trans
- 7 Shroud, Fan BPE8-15-150
- 8 Motor, Fan Auto Trans B64J-15-150A  
90-94 8AB5-15-010
- 9 Pump Set, Water 95-97 8ABB-15-010A  
90-93 B6BF-15-116  
94-97 B6BF-15-116
- 10 Gasket, Pump† †Included w/Water Pump Set
- 11 Pulley, Pump 90-93 B368-15-131A  
94-97 B3C7-15-131
- 12 Hose, Rad Upper 90-93 B61P-15-186  
94-97 BPE8-15-186  
90-93 B61P-15-185
- 13 Hose, Frt Lower Rad 94-97 B61P-15-185
- 14 Hose, Rear Lower Rad B61P-15-184
- 15 Pipe, Lower Rad B61P-15-190
- 16 Tank Assy, Coolant B61P-15-350D
- 17 Cap, Tank† B61P-15-355A  
†Included w/Coolant Tank Assy

## A/C REFRIGERANT CAPACITIES

- A/C R-12 Refrigerant Capacity 1990-93: 28 Ozs (1.75 Lbs)
- A/C R-134 Refrigerant Capacity 1994-97: 21.2 Ozs (1.32 Lbs)

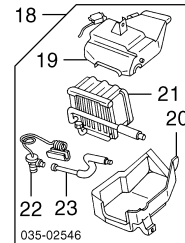
## A/C /HEATER



035-02545

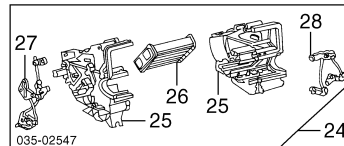
- 1 Condenser NA75-61-480
- 2 Receiver/Drier 90-93 NA01-61-500A  
94-97 NA75-61-500
- 3 Pipe, Receiver/Drier NA75-61-467
- 4 Compressor Assy 90-93 NA02-61-450A  
94-97 NA75-61-450

- 5 Compressor† 90-93 NA02-61-K00  
94-97 NA75-61-K00
- 6 Clutch Assy, Magnet† 90-93 NA02-61-L10  
94-97 NA75-61-L10
- 7 Armature, Clutch† (a) 90-93 F065-61-611  
94-97 NA75-61-L11
- 8 Pulley, Clutch† (a) 90-93 NA02-61-L12  
94-97 NA75-61-L12
- 9 Coil, Magnet† (a) 90-93 FD15-61-L13  
94-97 NA75-61-L13
- †Included w/Compressor Assy  
(a) Included w/Magnet Clutch Assy
- 10 Hose, Suction 90-93 NA01-61-461C  
94-97 NA75-61-461
- 11 Hose, Pressure 90-93 NA01-61-462D  
94-97 NA75-61-462
- 12 Tube Assy, Upper A/C 90-93 NA01-61-46X  
94-97 NA75-61-46XA
- 13 Switch, Pressure† 90-93 NA01-61-503  
94-97 GB6H-61-503  
†Included w/Upper A/C Tube Assy
- 14 Tube, Lower A/C 90-93 NA01-61-468A  
94-97 NA75-61-468
- 15 Pipe, Condenser Pressure 1990-93 NA02-61-466C  
1994-97-Serviced w/Pressure Hose
- 16 Fan, Condenser NA01-61-710
- 17 Bracket, Mounting NA01-61-4H1



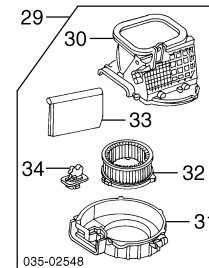
035-02546

- 18 Evaporator Assy 90-93 NA75-61-520D  
94-97 NA75-61-520E
- 19 Case, Evap Upper† 90-93 NA01-61-J20  
94-97 NA01-61-J01A
- 20 Case, Evap Lower† NC10-61-J02
- 21 Core, Evaporator† NA75-61-520D
- 22 Valve, Expansion† 90-93 NA01-61-114  
94-97 NA75-61-114
- 23 Pipe, Valve† NA01-61-115  
†Included w/Evaporator Assy



035-02547

- 24 Heater Assy 90-93 NA01-61-130A  
94-97 NC10-61-130F  
R/L NA01-61-A01-2
- 25 Case, Heater† 90-93 NA01-61-A10  
94-97 NA75-61-A10
- 26 Core, Heater† NA01-61-A30A
- 27 Linkage, Heater Air Flow† NA01-61-A20
- 28 Linkage, Heater Temperature† NA01-61-A20  
†Included w/Heater Assy



035-02548

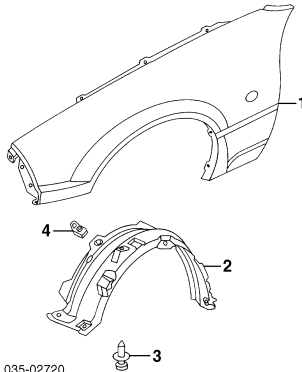
- 29 Blower Assy 90-93 NA01-61-140A  
94-97 NC11-61-140A
- 30 Case, Upper† 90-93 NA01-61-B01  
94-97 NA75-61-B01
- 31 Case, Lower† NA01-61-B02
- 32 Motor, Blower† NA01-61-B10

# MAZDA MIATA 1990-97

## A/C /HEATER Cont'd

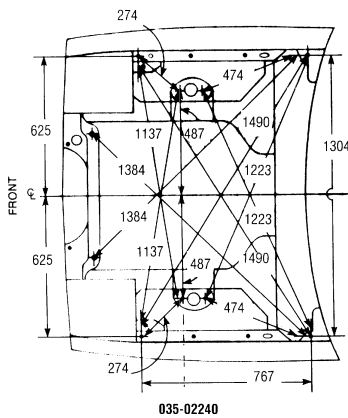
- 33 Flap, Vent<sup>†</sup> Serviced w/Blower Assy  
 34 Resistor<sup>†</sup> NA01-61-B15  
<sup>†</sup>Included w/Blower Assy

## FRONT FENDER



- 1 Fender (HSLA) R NAY1-52-110  
 L NAY1-52-210  
 2 Liner, Fender R NA01-56-131A  
 L NA01-56-141C  
 3 Fastener, Liner (5/Side) R/L NA01-56-145  
 4 Clip, Liner Screw (5/Side) R/L LA01-56-135

## UNDERHOOD DIMENSIONS

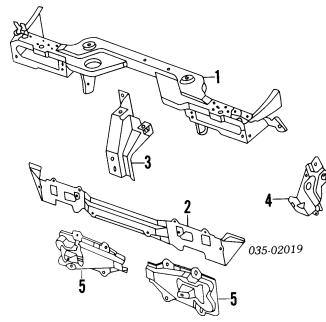


## FRONT INNER STRUCTURE

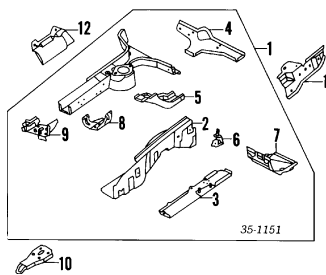
### FRONT

Illustration Located in Next Column

- 1 Bar, Upper Tie 90-93 NA01-53-100F  
 94-97 NA75-53-100  
 2 Bar, Lower Tie NA01-53-16XC  
 3 Support, Latch NA01-56-221B  
 4 Bracket, Radiator R B61P-15-240A  
 L B61P-15-250A  
 5 Bracket, Stay R/L NA01-54-180

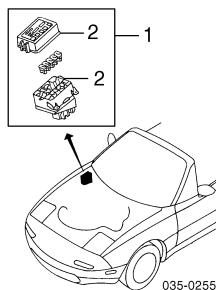


## SIDE



- 1 Apron Assy (a) 90-93 R NAY1-53-200D  
 L NAY1-54-200D  
 94-97 R NAY1-53-200D  
 L NAY2-54-200  
 2 Panel, Apron<sup>†</sup> (a) R NA01-53-210F  
 L NA01-54-210G  
 (a) Use w/Part #B001-56-051  
 Cover<sup>†</sup> (b) B001-56-051  
 (c) As Required  
 3 Rail, Upper Front<sup>†</sup> R NA01-53-37Y  
 L NA01-54-37Y  
 4 Rail, Upper Rear<sup>†</sup> 90-96 R NA01-53-37ZB  
 NA01-54-37ZA  
 L NA01-53-37ZB  
 97 R NA01-53-37ZB  
 L NA01-54-37ZD  
 5 Reinforcement<sup>†</sup> R NA01-53-380  
 L NA01-54-380B  
 6 Bracket, Air Cleaner<sup>†</sup> NA01-54-36X  
 7 Box, Torque<sup>†</sup> R NA01-53-391  
 L NA01-54-391  
 8 Bracket, Stabilizer<sup>†</sup> R N067-53-330  
 L N067-54-330  
 9 Reinf, Tie Down Hook<sup>†</sup> R NA01-53-32XC  
 L NA01-54-32XC  
<sup>†</sup>Included w/Apron Assy  
 10 Hook, Tie-Down R NA01-56-34XD  
 L NA01-56-34YD  
 R NA01-53-591  
 11 Reinf, Apron L NA01-54-590  
 NA01-56-112  
 12 Shield, Splash

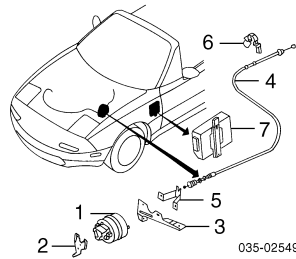
## ELECTRICAL COMPONENTS



- 1 Block Assy, Main Fuse 90 NA01-66-760B  
 91-93 NA23-66-760

- 2 Cover, Fuse Block<sup>†</sup> 94 NA80-66-760  
 95-97 NB11-66-760  
 90 NA02-66-762B  
 91-93 NA23-66-762  
 94 NA80-66-762  
 95-97 NB11-66-762  
<sup>†</sup>Included w/Main Fuse Block Assy

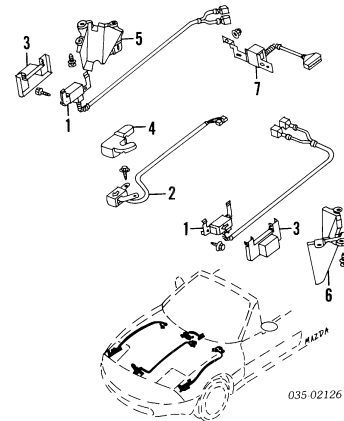
## CRUISE CONTROL SYSTEM



- 1 Actuator, Cruise Control LA01-66-310A  
 2 Brkt, Actuator Front NA01-66-3A3A  
 3 Brkt, Actuator Rear NA01-66-3A2A  
 4 Wire, Cruise Control NA01-66-311A  
 5 Front LA01-66-3A1  
 6 Rear UB39-61-479A  
 7 Control, Cruise NA01-66-320

## AIR BAG SYSTEM

### 1990-94

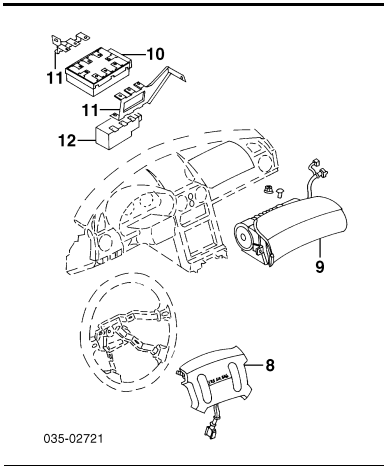


- 1 Sensor, Outer R NA01-57-K2XK  
 L NA01-57-K2YK  
 2 Sensor, Center 90-93 NA01-57-K10H  
 94 NA75-57-K1XA  
 3 Cover, Outer Sensor R NA01-57-K45B  
 L NA01-57-K46B  
 4 Cover, Center Sensor NA01-57-K47C  
 5 Cover, Outer Sensor NA01-56-191A  
 6 Right NA01-56-181A  
 Left w/o ABS NA01-56-181A  
 7 Sensor, Inner Air Bag NA01-57-K40D

Illustration Located in Next Column

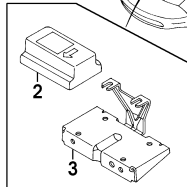
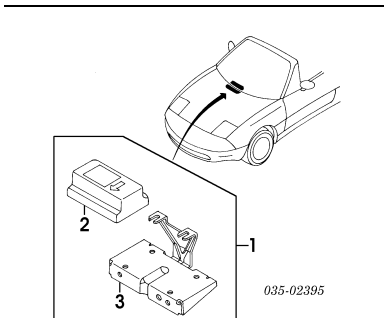
- 8 Module, Driver Air Bag NA01-57-K00E-00  
 9 Module, Pass Air Bag 94 NAY5-57-K7X-00  
 10 Control Unit, Diagnosis 1990-93 NA01-67-7FOA  
 1994 GA2A-67-7FOA  
 11 Bracket, Control Unit R NA05-67-9A1B  
 L NA06-67-9A1B  
 12 Power Unit, Back-Up 90-93 NA01-67-7G0A  
 Clockspring<sup>†</sup> See Steering Wheel/Column Section  
<sup>†</sup> Serviced w/Combination Switch

# MAZDA MIATA 1990-97



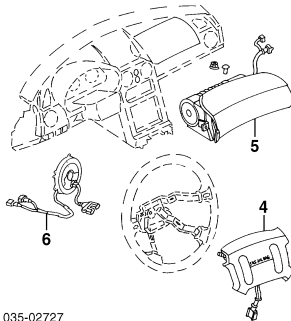
035-02721

1995-97



035-02395

- 1 Sensor Assy, Air Bag† N034-57-K30B  
†Add† Parts &/or Dealer Contact Required
- 2 Sensor, Air Bag† N034-57-K30B
- 3 Bracket, Sensor† N034-57-KX0A  
†Included w/Air Bag Sensor Assy



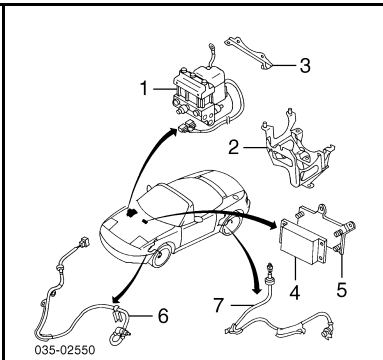
035-02727

- 4 Module, Driver Air Bag NB11-57-K00-00
- 5 Module, Passenger Air Bag NB29-57-K7X-00
- 6 Clockspring†(a) NB17-66-CS0A  
†1995-96-Serviced w/Combination Switch Assy-See Steering Wheel/Column Section  
(a) Included w/Combination Switch Assy

## ABS/BRAKES

Illustration Located in Next Column

- 1 Hydraulic Unit, ABS 90-94 NA23-43-7A0C

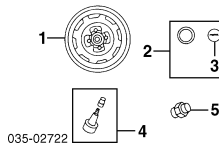


035-02550

- 1 Brkt, Hydraulic Unit 95 NA13-43-7A0A  
96-97 NA13-43-7A0B  
90-94 NA23-43-310B  
95-97 NB13-43-310A  
95-97 NB13-43-321A  
90-94 NA17-67-650A  
95-97 N036-67-650
- 2 Brkt, Upper 95 NA13-43-7A0A  
96-97 NA13-43-7A0B  
90-94 NA23-43-310B  
95-97 NB13-43-310A  
95-97 NB13-43-321A  
90-94 NA17-67-650A  
95-97 N036-67-650
- 3 Control Unit, ABS†
- 5 Bracket, ABS Control Unit 1990-94† Serviced w/ABS Control Unit  
1995-97† NB13-67-B4X  
†Included w/ABS Control Unit
- 6 Sensor, ABS Front R NA23-43-70XE  
L NA23-43-73XE
- 7 Sensor, ABS Rear R NA23-43-71YB  
L NA23-43-72YB

## WHEEL

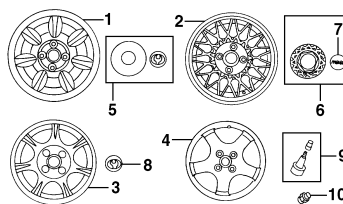
### STEEL WHEEL



035-02722

- 1 Wheel 14x5-1/2J\* 9965-B9-5540
- 2 Cap Assy, Center 90-93 B455-37-190  
94-96 NA53-37-190  
97 B455-37-191  
90-92 B001-37-192  
93-96 GA7C-37-192  
97 N.A.  
†Included w/Center Cap Assy
- 4 Stem, Valve 9963-60-4130
- 5 Nut, Lug w/Chrome B002-37-160A  
w/o Chrome 0603-26-161A

### ALUMINUM WHEEL



035-02723

- 1 Wheel 14x5-1/2" (7 Spoke) 90-91 8BN1-37-600  
93 8BN5-37-600  
92-93 8BN4-37-600  
94 9965-08-6040  
95-97 9965-C3-6050
- 2 14x6" BBS 94-97 9965-13-6040  
94-97 9965-19-6040  
95-97 9965-E8-6050
- 3 14x6" 7 Spoke Silver 94-97 9965-13-6040  
Polished 94-97 9965-19-6040  
95-97 9965-E8-6050
- 4 Cap, Center 14x5-1/2" (7 Spoke) 90-92 NA01-37-190A  
93 NA52-37-190A
- 6 Cap, Center (BBS Wheel) M011-37-190  
Cap Set

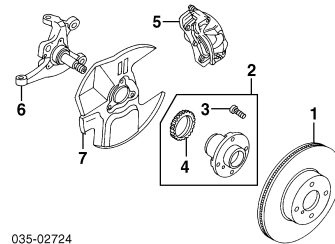
- 7 Emblem† M011-37-192  
†Included w/Cap Set
- 8 Cap, Center (Spoke Wheels) EA02-37-192
- 9 Stem, Valve 9963-60-4130
- 10 Nut, Lug w/Chrome B002-37-160A  
w/o Chrome 0603-26-161A

## SPARE WHEEL



- 1 Wheel 14x4T\* 90-93 9965-15-4040  
94-96 9965-16-4040  
97 N.A.
- 2 Stem, Valve 9963-60-4130

## FRONT SUSPENSION



035-02724

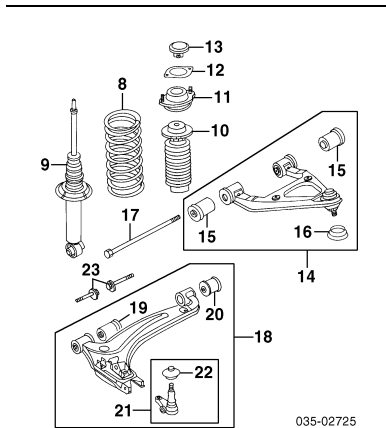
- 1 Rotor, Brake 90-93 R/L B25Y-33-25XB  
94-97 R/L N026-33-25XC
- 2 Hub Assy w/ABS 90-93 R/L NA23-33-04XA  
94-97 R/L NA23-33-04XA  
w/o ABS R/L NA01-33-04X  
3 Bolt, Hub†(4/Side) R/L B455-33-022  
4 Ring, ABS Sensor† R/L NA23-33-471B  
†Included w/Hub Assy  
Sensor, ABS-See Anti-Lock Brake System Section
- 5 Caliper, Brake 1990-93 R NAY0-33-98ZR  
w/ABS L NAY0-33-98ZR  
w/o ABS R N001-33-980  
L NAY0-33-98ZR  
1994-96 R NAY5-33-98ZR  
L NAY5-33-98ZR  
1997 R NAY5-33-98ZR  
L NAY5-33-98ZR
- Hose, Brake 90-93 R NA01-43-810B  
L NA01-43-820B  
94-97 R NA75-43-810A  
L NA75-43-820A
- 6 Knuckle Assy w/ABS 90-94 R NA23-33-021A  
L NA23-33-031A  
95-97 R NA23-33-021B  
L NA23-33-031B  
w/o ABS 90-94 R NA01-33-021A  
L NA01-33-031A  
95-97 R NA01-33-021B  
L NA01-33-031B
- 7 Shield, Splash 1990-93† R NA23-33-261  
w/ABS L NA23-33-271  
w/o ABS R NA01-33-261  
L NA01-33-271  
1994-97 R NA75-33-261  
L NA75-33-271  
†Included w/Knuckle Assy

Illustration Located in Next Column

- 8 Spring, Coil Man Trans 90-93 R/L NA01-34-011A  
94-97 R/L NA03-34-011  
Auto Trans 90-93 R/L NA03-34-011  
94-97 R/L NA81-34-011
- 9 Strut 1990-93 R/L NA23-34-700B  
w/ABS R/L NA01-34-700  
w/o ABS 1994 R/L NA53-34-700B  
w/ABS R/L N018-34-700B  
w/o ABS 1995-97 R/L N023-34-700D  
w/Sport Pkg

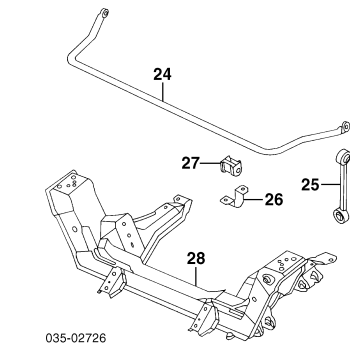
# MAZDA MIATA 1990-97

## FRONT SUSPENSION Cont'd



035-02725

- |   |   |
|---|---|
| w/o Sport Pkg<br>w/ABS  | R/L NA53-34-700B  |
| w/o ABS   | R/L N018-34-700B  |
| 10 Stopper, Bumper  | 80-93 R/L NA01-28-111<br>94-97 R/L N021-34-111          |
| 11 Rubber, Mounting   | R/L NA01-28-380B  |
| 12 Seat, Spring   | R/L G030-28-013A  |
| 13 Cap, Strut   | R/L NA01-34-019   |
| 14 Arm Assy, Upper Control<br>w/ABS   | R NA23-34-200A<br>L NA23-34-250A<br>R/L NA01-34-200A    |
| 15 Bushing, Upper Control Arm]<br>Front/Rear (2/Side)   | R/L NA01-34-480A  |
| 16 Seal, Dust]<br>†Included w/Upper Control Arm Assy  | R/L NA01-34-548   |
| 17 Bolt, Upper Arm  | R/L NA01-34-112   |
| 18 Arm Assy, Lower Control<br>1990-94   | R N066-34-310<br>L N066-34-360                          |
| 1995-96<br>w/ABS<br>To 10-94  | R N066-34-310<br>L N066-34-360                          |
| From 10-94  | R N066-34-310<br>L N066-34-360                          |
| w/o ABS   | R N066-34-310<br>L N066-34-360                          |
| 1997  | R N066-34-310<br>L N066-34-360                          |
| Bushing, Lower Arm]<br>Front  | R/L NA01-34-460A  |
| 20 Rear   | R/L NA01-34-490   |
| 21 Ball Joint Assy, Lower]<br>22 Seal, Dust]<br>†Included w/Lower Control Arm Assy<br>(a) †Included w/Lower Ball Joint Assy | R/L NA01-34-550B<br>R/L H262-28-448                     |
| 23 Bolt, Adjust (2/Side)<br>1990-93   | R/L NA80-28-662D  |
| 1994-96   | R/L NA80-28-662D  |
| To 11-94]<br>From 11-94   | R/L NAY9-28-6A2<br>R/L NA75-34-4A04<br>R/L NA80-28-662D |



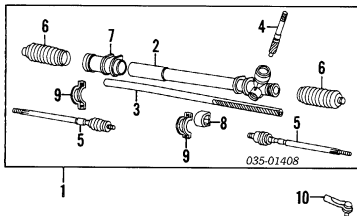
035-02726

- †Add'l Parts &/or Dealer Contact Required
- |                    |   |
|--------------------|---|
| 24 Bar, Stabilizer | 1990-93 NA01-34-151A<br>1994 NA80-34-151<br>1995-97 |
|--------------------|---|

- |                      |                  |
|----------------------|------------------|
| w/Sport Pkg          | NA75-34-151      |
| w/o Sport Pkg        | NA80-34-151      |
| 25 Link, Stab Bar    | R/L NA01-34-170  |
| 26 Bracket, Stab Bar | R/L FB01-34-155  |
| 27 Bushing, Stab Bar | R/L NA75-34-156  |
| w/Sport Pkg          | R/L NA01-34-156A |
| w/o Sport Pkg        | NA01-34-800E     |
| 28 Crossmember, Susp |                  |

## FRONT STEERING LINKAGE/GEAR

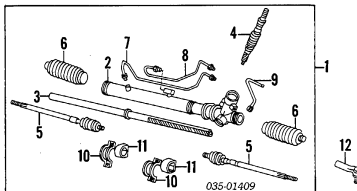
### MANUAL



035-01408

- |                       |                                |
|-----------------------|--------------------------------|
| 1 Gear Assy           | NA01-32-110                    |
| 2 Housing, Gear]      | NA01-32-120                    |
| 3 Rack, Gear]         | NA01-32-119                    |
| 4 Pinion]             | NA01-32-122                    |
| 5 Rod, Tie]           | R/L NA01-32-240                |
| 6 Boot, Outer]        | R/L NA01-32-12X                |
| 7 Mount, Rubber]      | NA01-32-123                    |
| 8 Bushing, Mounting]  | NA01-32-124                    |
| 9 Bracket, Mounting]  | R BC51-32-133<br>L NA01-32-134 |
| †Included w/Gear Assy |                                |
| 10 End, Tie Rod       | R/L 8AN1-32-280                |

### POWER 1990-95



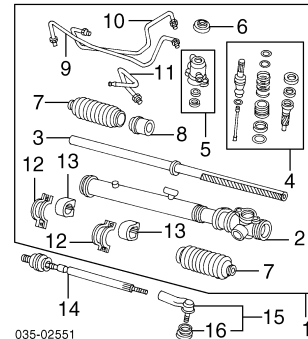
035-01409

- |                       |                                |
|-----------------------|--------------------------------|
| 1 Gear Assy           | NA02-32-110R-00                |
| 2 Housing, Gear]      | NA02-32-120                    |
| 3 Rack, Gear]         | NA02-32-119                    |
| 4 Pinion]             | NA02-32-380                    |
| 5 Rod, Tie]           | R/L NA02-32-240                |
| 6 Boot, Outer]        | R NA02-32-125<br>L NA02-32-135 |
| 7 Pipe, Upper Fluid]  | NA02-32-481                    |
| 8 Pipe, Lower Fluid]  | NA02-32-482                    |
| 9 Pipe, Fluid Return] | NA02-32-452                    |
| 10 Bracket, Mounting] | R/L NA02-32-134-3              |
| 11 Bushing, Mount]    | R/L NA02-32-124-3              |
| †Included w/Gear Assy |                                |
| 12 End, Tie Rod       | R/L 8AN1-32-280                |

### POWER 1996-97

Illustration Located in Next Column

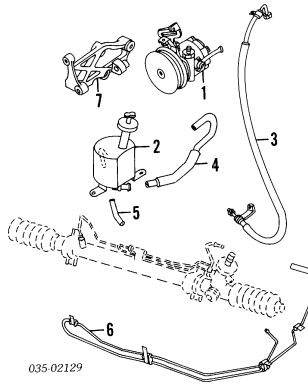
- |                        |  |
|------------------------|--|
| 1 Gear Assy            | 96 NB38-32-110R-0B<br>97 NB38-32-110R-0B                                       |
| 2 Housing, Gear]       | NB38-32-120  |
| 3 Rack, Gear]          | NB38-32-119  |
| 4 Pinion]              | NB38-32-380  |
| 5 Seal, Shaft]         | NB38-32-126  |
| 6 Cover, Lever]        | NB38-32-112  |
| 7 Boot, Outer]         | R/L NB38-32-125  |
| 8 Holder, Strg Gear]   | NB38-32-154  |
| 9 Pipe, Upper Fluid]   | NB38-32-450  |
| 10 Pipe, Lower Fluid]  | NB38-32-450  |
| 11 Pipe, Fluid Return] | 96 NA02-32-452<br>97 NB38-32-480   |
| 12 Bracket, Mounting]  | 96 R/L NA02-32-134-3<br>97 R NA02-32-134<br>L NB38-32-133<br>R/L NA02-32-124-3 |
| 13 Bushing, Mount]     | R/L NA02-32-124-3  |
| †Included w/Gear Assy  |  |
| 14 Rod, Tie            | R/L NA02-32-240  |



035-02551

- |                              |                 |
|------------------------------|-----------------|
| 15 End Assy, Tie Rod         | R/L 8AN1-32-280 |
| 16 Seal, Dust]               | R/L B455-32-279 |
| †Included w/Tie Rod End Assy |                 |

## STEERING PUMP

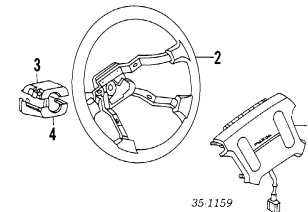


035-02129

- |                             |                                      |
|-----------------------------|--------------------------------------|
| 1 Pump, Steering            | N002-32-600R-0F                      |
| 2 Reservoir, Fluid          | 90-96 NA02-32-690A<br>97 NB11-32-690 |
| Belt, Drive                 |                                      |
| 1990-93                     | BPE8-15-909A                         |
| 1994-97                     |                                      |
| w/A/C                       | BPE8-15-909A                         |
| w/o A/C                     | B61P-15-907A                         |
| 3 Hose, Pressure            | NA02-32-490C                         |
| 4 Hose, Return              | NA02-32-694B                         |
| 5 Hose, Cooler Inlet/Outlet | NA02-32-682                          |
| 6 Pipe, Strg Return/Cooler  | NA02-32-410A                         |
| 7 Bracket, Pump             | NA02-32-680                          |

## STEERING WHEEL/COLUMN

### WHEEL & TRIM 1990-93



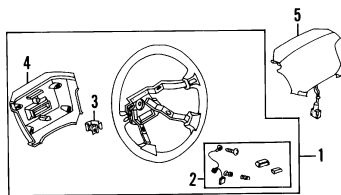
35-1159

- |   |   |
|---|---|
| 1 Module, Air Bag-See Air Bag System Section<br>Pad, Center | B461-32-800A                                  |
| 2 Wheel, Steering   | Urethane NA01-32-980D<br>Leather NA02-32-980D |
| 3 Cover, Column Upper                                       | NA01-60-220-00                                |

# MAZDA MIATA 1990-97

4 Cover, Column Lower NAO1-60-230A-00

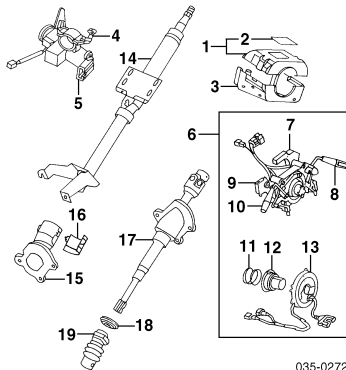
## WHEEL & TRIM 1994-97



035-02130

- 1 Wheel Assy, Steering  
Urethane Wrap Wheel NAO1-32-980D  
Leather Wrapped Wheel NAO2-32-980D
- 2 Parts Kit, Wheel NAO1-32-750
- 3 Bracket, Coupler NAO1-32-019
- 4 Cover, Wheel Front NAO1-32-049  
*Included w/Steering Wheel Assy*
- 5 Module, Air Bag-See Air Bag System Section

## COLUMN



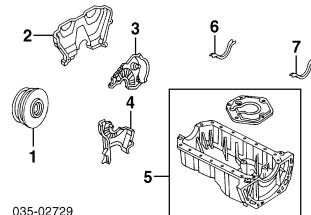
035-02728

- 1 Cover Assy, Column Upper NAO1-60-220-00
- 2 Cap, Upper Cover NAO1-60-223-00  
*Included w/Column Upper Cover Assy*
- 3 Cover, Column Lower NAO1-60-230A-00
- 4 Lock Assy, Ignition  
Man Trans 90-94 NAO1-76-290F  
95 NA75-76-290C  
96-97 NA75-76-290C
- Auto Trans 90-94 NQ22-76-290C  
95 NA81-76-290C  
96-97 NA81-76-290C
- 5 Switch, Ignition *Included w/Ignition Lock Assy*  
D001-66-151A
- 6 Switch Assy, Combination  
1990-96  
w/Air Bag NB18-66-120A  
w/Cruise Control NB17-66-120A  
w/o Cruise Control NB17-66-120A  
w/Air Bag NA08-66-120C  
Base Model  
1997  
w/Cruise Control NB18-66-120A  
w/o Cruise Control NB17-66-120A
- 7 Switch, Wiper NAO2-66-135
- 8 Lever, Wiper NAO2-66-128  
w/Cruise Control 97 NAO2-66-128  
w/o Cruise Control 97 NAO1-66-128
- 9 Switch, Dimmer 97 NAO2-66-136
- 10 Switch, Headlamp 97 NAO2-66-122
- 11 Spring, Cancel Cam 97 H384-66-121
- 12 Cam, Cancel 97 NAO2-66-126
- 13 Clockspring-See Air Bag System Section  
*Included w/Combination Switch Assy*
- 14 Shaft  
1990-93 NAO1-32-100B  
w/Air Bag NAO7-32-100B  
w/o Air Bag 1994-96 NA75-32-100A  
1997 NA75-32-100A
- 15 Cover, Joint 90-93 NAO1-32-AZ1B  
94-97 NA75-32-AZ1
- 16 Cover, Joint Lower  
1990-96 N.A.  
USA-Serviced w/Joint Cover  
Canada N.A.
- 1997 NAO1-32-AZ1B
- 17 Shaft, Intermediate  
1990-93

- Man Strg NAO1-32-090B  
Pwr Strg NAO2-32-090B
- 1994-97 NAO1-32-090D  
Man Strg NAO2-32-090D  
Pwr Strg NAO1-32-217
- 18 Grommet 90-93 NAO1-32-850  
94-96 NAO1-32-850B  
97 NAO1-32-850B
- 19 Joint, Steering

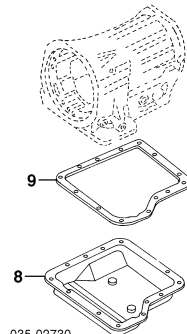
- From 10-94 Man Trans NC10-39-710B  
Auto Trans NC13-39-710A
- 5 Bracket, Support  
Man Trans NAO1-39-730A  
Auto Trans NAO1-39-723
- 6 Spacer, Bolt NAO1-39-721A
- 7 Bolt, Outer Support (3) NAO1-39-721A
- 8 Bolt, Inner Support (1) NAO1-39-722

## ENGINE/TRANS



035-02729

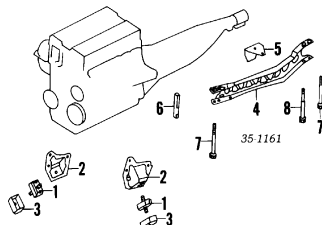
- 1 Pulley, Crankshaft  
1990-93 To Eng 209446  
From Eng 209446 1994-97 B6S7-11-401A  
B6S8-11-401  
BPD3-11-401A
- 2 Cover, Upr Front Timing B61P-10-510
- 3 Cover, Upr Ctr Timing B660-10-521B
- 4 Cover, Lwr Ctr Timing B660-10-501E
- 5 Pan, Eng Oil 90-93 B6Y0-10-400D  
94-97 BPV0-10-400D
- 6 Seal, Front Eng Pan B6F4-10-427
- 7 Seal, Rear Eng Pan B6F4-10-428  
Sealant, Eng Oil Pan 8527-77-739



035-02730

- 8 Pan, Trans Oil BV02-19-836
- 9 Gasket, Trans Oil Pan BT28-19-835

## ENGINE MOUNTS

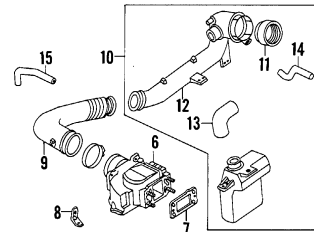


35 1161

- 1 Mount, Engine R/L NAO1-39-040A
- 2 Bracket, Mount 90-93 R NAO1-39-020  
L NAO1-39-030  
94-97 R NA75-39-021  
L NA75-39-030
- 3 Casing, Stopper 90-96 R/L NAO1-39-041B  
97 R/L NAO1-39-041B
- 4 Support, Trans  
1990-93 NC10-39-710B  
Man Trans NC13-39-710A  
Auto Trans 1994-97 To 10-94  
Man Trans NC10-39-710B  
Auto Trans NA81-39-710A

## AIR CLEANER

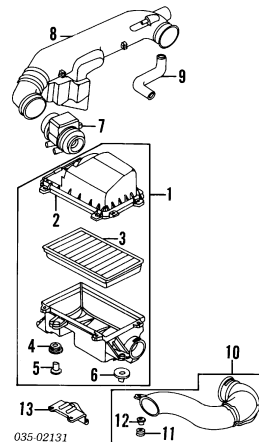
1990-93



35-1162

- 1 Cleaner Assy, Air B61P-13-320A
- 2 Cover, Air Cleaner B61P-13-201
- 3 Element, Cleaner B6S7-13-240-9U  
*Included w/Air Cleaner Assy*
- 4 Brkt, Air Cleaner Mtg B61P-20-211
- 5 Duct, Air B61P-13-200C
- 6 Meter, Air Flow B6S7-13-210R-0A
- 7 Gasket, Meter B6S7-13-211A
- 8 Brkt, Mtg Air Flow Meter B61P-13-311B
- 9 Hose, Air Flow Meter B61P-13-221B
- 10 Resonator Assy  
Man Trans B61P-13-330E  
Auto Trans B64J-13-330
- 11 Joint, Rubber B61P-13-245
- 12 Pipe, Air Intake-Serviced w/Resonator Assy B61P-13-206A
- 13 Hose, Resonator B61R-13-765
- 14 Hose, Air Intake Pipe *Included w/Resonator Assy*
- 15 Hose, Ventilation B61P-13-742C

1994-97



035-02131

- 1 Cleaner Assy, Air BPE8-13-320
- 2 Cover, Air Cleaner BPE8-13-201
- 3 Element, Cleaner B6S7-13-240-9U
- 4 Bushing, Mounting (3) FE51-13-363
- 5 Spacer, Mounting (3) FE51-13-329
- 6 Mount, Rubber B61P-13-266

madp11\_g01\_

Procedure Explanation Pages Must Be Used with the Above Text for an Accurate Damage Report.  
Comments or suggestions? Need assistance? Call 1-800-854-7030 or 858-578-6550. Ext. 8220. Fax 1-888-256-7969 or 858-549-0629.

225

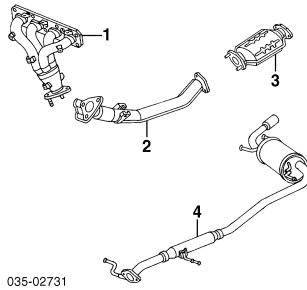
# MAZDA MIATA 1990-97

## AIR CLEANER Cont'd

### 1994-97 Cont'd

- 7 Meter, Air Flow B6BF-13-215
- 8 Pipe, Air Intake BPE8-13-331B
- 9 Hose, Breather BPE8-13-785A
- 10 Duct Assy, Fresh Air BPE8-13-200
- 11 Bushing, Duct S501-13-349
- 12 Spacer, Duct SLA1-13-321
- 13 Bracket, Cleaner B61P-20-211

## EXHAUST



- 1 Manifold, Exhaust 90-93 B61P-13-450B  
94-97 BPE8-13-450
- 2 Pipe, Exhaust 90-93 B690-40-500B  
94-97 BP56-40-500B
- 3 Converter, Catalytic 90-93 B6Y4-20-600A  
94-95 BPE8-20-600  
96-97 BPS1-20-600
- 4 Muffler 90-93 BP55-40-100D  
94-95 BP55-40-100D  
96-97 BPA5-40-100F  
Auto Trans 90-93 B6B4-40-100F  
94-95 BPE9-40-100D  
96-97 BPA6-40-100B

## EMISSION SYSTEM

- Valve, Three Way 90 FE65-18-741A  
91-93 JE16-18-741
- Canister, Vapor 94-97 FS05-18-741  
90-93 F266-13-970A  
94-97 JE16-13-870A
- Brkt, Canister Mtg Valve, Air B61P-13-960A
- 1990-93 Man Trans B61P-13-190A  
Auto Trans B64J-13-190  
1994-97 B6BF-20-660

## ELECTRICAL

### ALTERNATOR

- Alternator Man Trans 90-93 B61P-18-300R-00  
94-97 BPE8-18-300R-00
- Auto Trans 90-93 B64J-18-300R-00  
94-97 BPE9-18-300R-00

Remanufactured Part. Contact Dealer for Core Charge & Exchange Information

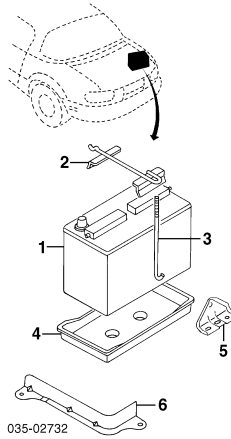
### Belt, Drive

- 90-93 B6S7-18-381B-9U
- 94-97 B6BF-18-381-9U

### BATTERY

Illustration Located in Next Column

- 1 Battery B6AC-18-520
- 2 Clamp, Battery Std Duty NA01-56-03XA  
Hvy Duty 8871-56-030A
- 3 Bolt, Battery Clamp Std Duty 0259-54-292A  
Hvy Duty W001-38-518A
- 4 Tray, Battery Std Duty B095-56-032  
Hvy Duty B362-56-032A
- 5 Brkt, Battery Clamp NA01-56-032B
- 6 Brkt, Battery Tray NA01-56-033B



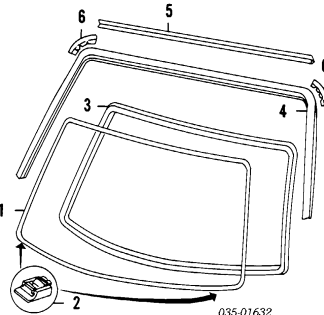
## HORN

- Horn SA59-66-790A

## IGNITION

- Module, Main Computer 1990-93 Man Trans B61P-18-881R  
Auto Trans B64J-18-881R
- 1994 ZPC2-18-881R
- 1995 ZPC1-18-881R
- 1996 BPS1-18-881R-0B
- 1997 BPS3A-18-881R-0B
- Coil & Igniter 90-93 B61P-18-10XC  
94-95 BPE8-18-10XA  
96-97 BPE8-18-10XC

## WINDSHIELD

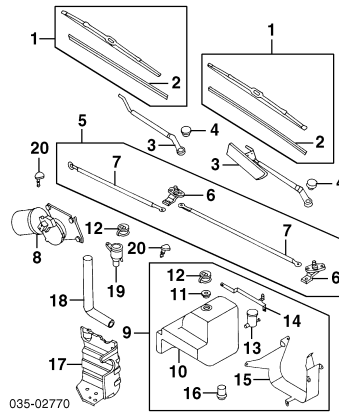


- 1 Glass Assy, Windshield Mazda (Tint) 90-95 NC11-63-900A  
96 NC39-63-900A  
97 NC11-63-900A
- 2 Spacer, Glass 90-93 R/L GJ21-50-891  
94-97 R/L EA01-50-891A
- 3 Dam, Windshield 1990-94 NA01-50-894A  
1995-96 NA01-50-894A  
Type 1 GA7B-50-899  
Type 2 NA01-50-894A  
1997 NA01-50-601A
- 4 Moulding, Reveal NA01-50-601A
- 5 Fastener, Moulding NA01-50-6B1
- 6 Protector, Moulding Moulding, Inside Garnish Upper Side NA01-68-090E  
R NA01-68-160-00  
NA01-68-170-00
- Mirror Assy, Rear View 90-95 NA01-69-220A  
96-97 HG82-69-220A
- Base, Mirror Mtg 1990-95 NA01-69-240  
1996-97 (a) BC1C-69-240
- Included w/Rear View Mirror Assy (a) Included w/Windshield Glass Assy
- Cover, Mirror Base GJ21-69-225-00
- Visor, Sun w/Air Bag 90-93 R NA01-69-270B-02

- L NA01-69-320D-02
- 94 R NA01-69-270B-02
- L NA75-69-320-02
- 95-96 R NB12-69-270A-02
- L NB11-69-320B-02
- 97 R NB12-69-270A-02
- L NB11-69-320B-02
- R NA01-69-270B-02
- L NA75-69-320-02

w/o Air Bag

## WIPER SYSTEM



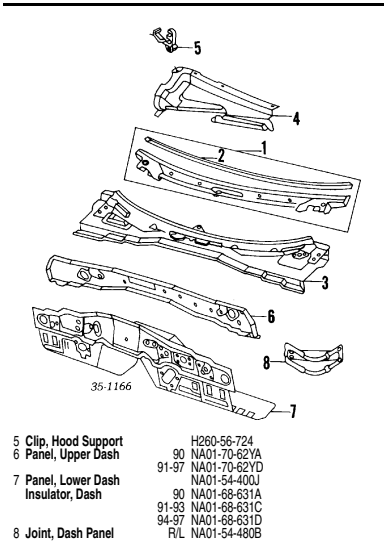
- 1 Blade Assy, Wiper R NC11-67-330-9U  
L BM95-67-330B
- 2 Insert, Blade R/L D040-67-333-9U
- 3 Arm, Wiper R NA02-67-321  
L NA01-67-321
- 4 Cap, Arm R/L LA01-67-395C
- 5 Link Assy, Wiper NA01-67-360B
- 6 Pivot, Wiper Shaft R/L NA01-67-363-4  
R NA01-67-361A  
L NA01-67-362
- Included w/Wiper Link Assy
- 8 Motor, Wiper Std Duty NA01-67-340E  
Hvy Duty (Cold Climate Spec) NA95-67-340B
- 9 Tank Assy, Fluid w/ABS NA17-67-470A  
w/o ABS NA01-67-480B  
2.2 Liter Capacity NA04-67-480B  
4.5 Liter Capacity
- 10 Tank, Fluid w/ABS NA17-67-471  
w/o ABS NA01-67-481  
2.2 Liter Capacity NA04-67-481  
4.5 Liter Capacity B002-51-814
- 11 Grommet, Tank w/ABS NA01-67-481
- 12 Cap, Tank GJ21-67-483  
w/ABS UB39-51-815
- 13 Pump, Washer w/ABS LA01-67-482  
w/o ABS S084-76-672
- 14 Brkt, Tank Mtg Up w/ABS NA18-67-521
- 15 Brkt, Tank Mtg Lwr w/ABS NA17-67-521  
w/o ABS NA01-67-520  
2.2 Liter Capacity NA04-67-520  
4.5 Liter Capacity
- 16 Switch, Level w/ABS NA17-67-488
- Included w/Fluid Tank Assy
- 17 Cover, Tank w/ABS NA20-56-181A  
w/o ABS NA01-50-792A
- 18 Tube, Filler NA17-67-4C1
- 19 Neck, Filler w/ABS NA17-67-4C2
- 20 Nozzle, Washer R/L D02-67-510

## COWL & DASH

Illustration Located in Next Column

- 1 Grille Assy, Cowl Top NA01-50-790E
- 2 Moulding, Grille NA01-50-792A
- 3 Panel, Cowl Top 90-93 NA01-53-510E  
94-96 NA75-53-510  
97 NA75-53-510C
- 4 Cover, Cowl Panel NA01-56-35X

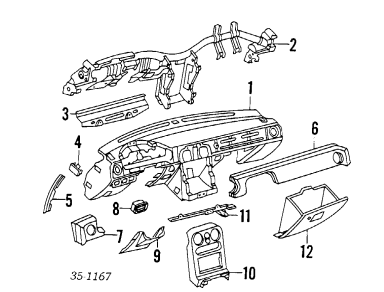
# MAZDA MIATA 1990-97



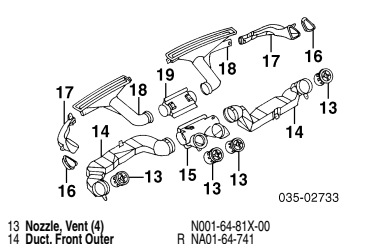
- 5 Clip, Hood Support
- 6 Panel, Upper Dash
- 7 Panel, Lower Dash Insulator, Dash
- 8 Joint, Dash Panel

## INSTRUMENT PANEL

1990-93



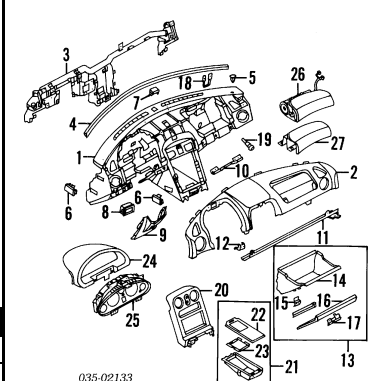
- 1 Panel, Instrument  
Black/Black  
Black/Tan
- 2 Pad, Impact
- 3 Bracket, Instrument Panel
- 4 Cover, Hole (6)
- 5 Cover, Side-Not Serviced
- 6 Pad, Safety  
Black  
Tan
- 7 Extension, Safety Pad  
Black  
Tan
- 8 Box, Panel  
Black  
Tan
- 9 Cover, Strg Column  
Black  
Tan
- 10 Cover, Center
- 11 Bracket, Center Brkt, Safety Pad
- 12 Glove Box  
Black  
Tan



- 13 Nozzle, Vent (4)
- 14 Duct, Front Outer

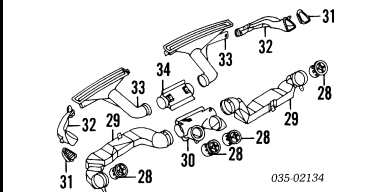
- 15 Duct, Front Center
- 16 Grille, Side Defrost
- 17 Duct, Side Defrost
- 18 Nozzle, Defrost
- 19 Connector, Defrost Radio

## 1994-97



- 1 Panel, Instrument  
Black  
Black/Tan
- 2 Pad, Impact
- 3 Support, Panel
- 4 Strip, Panel Front
- 5 Clip, Trim (4)
- 6 Side (6)  
Black  
Tan
- 7 Center
- 8 Cover, Panel (3)
- 9 Panel, Under-Column  
Black  
Tan
- 10 Bracket, Pad
- 11 Reinf, Pad
- 12 Bracket, Reinf Inner
- 13 Glove Box Assy  
Black  
Tan
- 14 Box, Glove
- 15 Hinge, Box (2)
- 16 Lid, Box Outer
- 17 Lock, Glove Box
- 18 Striker, Glove Box
- 19 Bumper, Door (2)
- 20 Panel, Center  
w/CD Player  
w/o CD Player
- 21 Ashtray Assy
- 22 Holder, Ashtray
- 23 Lid, Ashtray
- 24 Hood, Instrument  
Black Panel  
Tan Panel
- 25 Meter, Instrument  
1994-95  
1997  
USA  
Type A  
Type B  
Canada
- 26 Module, Passenger Air Bag  
-See Air Bag System Section
- 27 Cover

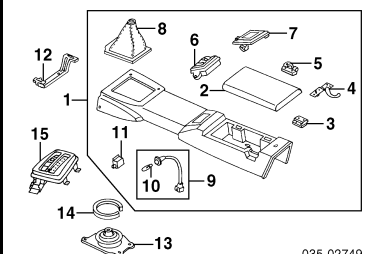
w/o Air Bag (Canada) N.A.



- 28 Nozzle, Vent (4)
- 29 Duct, Front Outer
- 30 Duct, Front Center
- 31 Grille, Side Defrost  
Black Panel  
Tan Panel
- 32 Duct, Side Defrost
- 33 Nozzle, Defrost
- 34 Connector, Defrost Radio Unit

## CENTER CONSOLE

035-02749



- 1 Console Assy (b)  
Man Trans  
Man Windows  
Pwr Windows  
Auto Trans  
Man Windows  
Pwr Windows  
(b) Order by Application
- 2 Lid, Console
- 3 Lock, Lid
- 4 Stopper, Lid
- 5 Hinge, Lid (2)
- 6 Switch, Power Window (a)  
(a) Order by Application
- 7 Box, Coin
- 8 Boot, Shift
- 9 Bulb & Socket Assy
- 10 Bulb (a)  
(a) Included w/Bulb/Socket Assy
- 11 Case, Lamp
- 12 Bracket, Mounting  
Insulator, Shift Boot
- 13 Gasket, Boot
- 14 Indicator, Shift

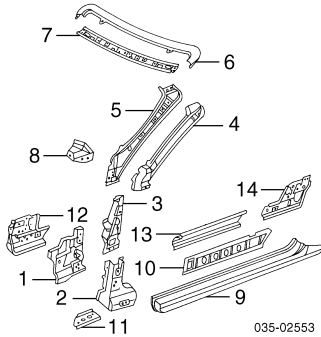
## ROCKER/PILLARS/FLOOR

- 1 Panel, Cowl Side  
Inner
- Panel, Cowl Trim  
Black

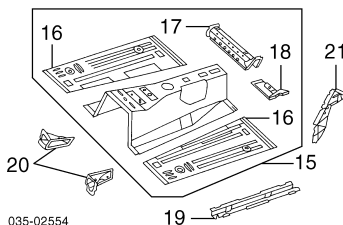


# MAZDA MIATA 1990-97

## ROCKER/PILLARS/FLOOR Cont'd



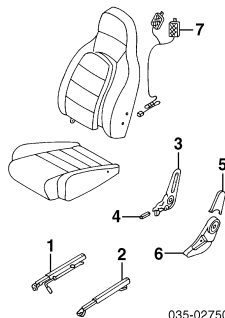
- 035-02553
- L NA01-68-390-00
  - 94-97 R NA75-68-370-00
  - L NA01-68-390-00
  - 90-93 R NA01-68-370-88
  - L NA01-68-390-88
  - 94-97 R NA75-68-370-88
  - L NA01-68-390-88
- Pillar, Lower Hinge**
- 2 Outer R NA01-70-280B
  - L NA01-71-280C
  - 3 Inner R NA01-70-230C
  - L NA01-71-230C
- Pillar, Upper Hinge**
- 4 Outer R NA01-70-210
  - L NA01-71-210
  - 5 Inner R NA01-70-240D
  - L NA01-71-240D
- Header, Front Upper**
- Header, Front Lower**
- 90-95 NA01-70-640
  - 96-97 NB38-70-640A
- Bracket, Inst Panel**
- R NA01-70-071A
  - L NA01-71-071A
- Panel, Rocker Outer**
- R NA01-70-270B
  - L NA01-71-270B
- Reinf, Rocker Panel**
- R NA01-70-275
  - L NA01-71-275
- Gusset, Front Rocker**
- R NA01-70-274
  - L NA01-71-274
- Panel, Front Rocker Inner**
- 90-93 R NA01-53-960D
  - L NA01-54-96XC
  - 94-96 R NA75-53-960
  - L NA01-54-96XC
  - 97 R NA01-53-960D
  - L NA01-54-96XC
- Panel, Inner Rocker**
- 13 Center 90-93 R/L N067-54-971A
  - 94 R/L N067-54-971A
  - 95-97 R/L N067-54-971A
  - R NA01-53-980E
  - L N067-54-952A
- Plate, Scuff**
- Plastic R NA01-68-711-00
  - L NA01-68-721-00
  - Stainless Steel 90-96 R NA02-68-710A
  - L NA02-68-720B
  - 97 R NA02-68-710A
  - L NA02-68-720B



- 035-02554
- 15 Pan Assy, Front Floor 90-95 NA01-53-600B
  - 96-97 NB38-53-600A
  - 16 Pan, Floor Side 90-96 R NA01-53-602B
  - L NA01-54-610C
  - 97 R NA01-53-602B
  - L NA01-54-610C
  - 17 Crossmember 90-96 R NA01-53-630
  - L NA01-54-650
  - 97 R NA01-53-650A
  - L NA01-54-650A
  - 18 Bracket, Seat 90-96 R NA01-53-670
  - L NA01-54-670A
  - 97 R NA01-53-670A

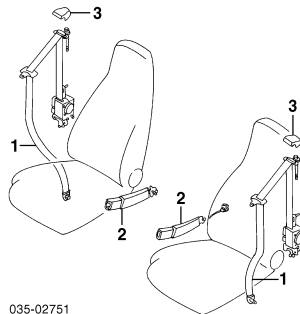
- L NA01-54-670A
- 19 Extension, Floor Side *†*Included w/Front Floor Pan Assy
- 20 Brkt, Floor Front R NA03-53-660A
- L NA01-53-482
- R NA01-54-482
- L NA01-53-725A
- 21 Gusset, Floor Rear L NA01-54-725A

## SEAT



- 035-02750
- 1 Adjuster, Seat Track Inr 90-96 R NA01-88-103A
  - L NA01-88-152A
  - 97 R NA75-88-103
  - L NA01-88-152A
  - 2 Adjuster, Seat Track Otr R NA01-88-102A
  - L NA01-88-153A
  - R NA01-88-101C
  - L NA01-88-151C
  - 3 Recliner, Seat Black R NA01-88-034-00
  - L NA01-88-084-00
  - Tan R NA01-88-034-88
  - L NA01-88-084-88
  - 4 Knob, Recliner R NA01-88-036-00
  - L NA01-88-086-00
  - Tan R NA01-88-036-88
  - L NA01-88-086-88
  - 5 Cover, Upper Recliner R NA01-88-031A-00
  - L NA01-88-081A-00
  - Tan R NA01-88-031-88
  - L NA01-88-081A-00
  - 6 Cover, Lower Recliner R/L 0000-81-024A-01
  - (a) Located in Headrest
  - (b) Order by Application

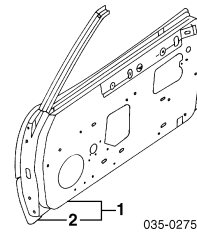
## SEAT BELTS



- 035-02751
- 1 Belt, Retractor Side Seat w/Air Bag Black 90-93 R NA82-57-630-00
  - L NA01-57-690C-00
  - 94-95 R NA75-57-630D-00
  - NA76-57-630E-00
  - 96-97 R NA75-57-630G-00
  - L NB38-57-630A-00
  - 90-93 R NA82-57-630E-88
  - L NA01-57-690B-88
  - 94-95 R NA75-57-630D-88
  - NA76-57-630E-88
  - 96-97 R NA75-57-630G-88
  - L NB38-57-630A-88
  - w/o Air Bag Black R NA82-57-630-00
  - L NA07-57-690A-00
  - Tan R NA82-57-630E-88
  - L NA07-57-690-88

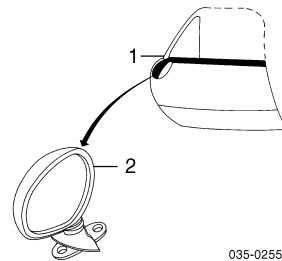
- 2 Belt, Buckle Side Seat 90-93 R NA01-57-620B-00
- L NA01-57-680B-00
- 94-97 R NA75-57-620-00
- L NA75-57-680A-00
- R/L N026-57-631-00
- 3 Cover, Anchor

## FRONT DOOR SHEET METAL



- 035-02752
- 1 Shell Assy, Door (HSLA) R NAV4-58-02XB
  - L NAV4-58-02XB
  - 90-93 R NA01-58-030C
  - L NA01-58-030C
  - 94-97 R NA52-58-030A
  - L NA52-58-030A
  - †*Included w/Door Shell Assy

## EXTERIOR TRIM

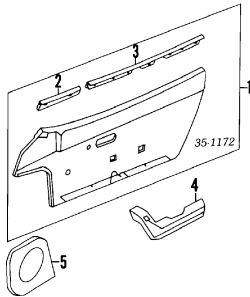


- 035-02555
- 1 W/Strip, Belt Outer R NA01-58-810E
  - L NA01-59-810E
  - 2 Mirror, Rear View 1990-94 Black R NA05-69-120A-PZ
  - L NA05-69-180A-PZ
  - Blue R NA05-69-120-DU
  - L NA05-69-180A-DU
  - Green R NA05-69-120-HU
  - L NA05-69-180A-HU
  - Red R NA05-69-120A-SU
  - L NA05-69-180A-SU
  - Silver R NA05-69-120A-3L
  - L NA05-69-180-3L
  - White R NA05-69-120A-UC
  - L NA05-69-180A-UC
  - Yellow R NA05-69-120A-HZ
  - L NA05-69-180-HZ
  - 1995-97 Manual To 2-95 Brilliant Black R NA05-69-120A-PZ
  - L NA05-69-180C-PZ
  - Chaste White R NA05-69-120C-PT
  - L NA05-69-180C-PT
  - Classic Red R NA05-69-120C-SU
  - L NA05-69-180C-SU
  - Laguna Blue R NA05-69-120C-6W
  - L NA05-69-180C-6W
  - Neo Green R NA05-69-120B-HU
  - L NA05-69-180B-HU
  - From 2-95 Artvin Red R NA05-69-120C-18
  - L NA05-69-180C-18
  - Brilliant Black R NA05-69-120C-PZ
  - L NA05-69-180C-PZ
  - Chaste White R NA05-69-120C-PT
  - L NA05-69-180C-PT
  - Classic Red R NA05-69-120C-SU
  - L NA05-69-180C-SU
  - Laguna Blue R NA05-69-120C-6W
  - L NA05-69-180C-6W
  - Montego Blue R NA05-69-120C-M8
  - L NA05-69-180C-M8
  - Neo Green R NA05-69-120C-HU
  - L NA05-69-180C-HU
  - Satellite Blue R NA05-69-120C-A5
  - L NA05-69-180C-A5
  - Pwr Remote

# MAZDA MIATA 1990-97

Artvin Red	R NA52-69-120C-18 L NA52-69-180C-18
Brilliant Black	R NA52-69-120C-PZ L NA52-69-180C-PZ
Chaste White	R NA52-69-120C-PT L NA52-69-180C-PT
Classic Red	R NA52-69-120C-SU L NA52-69-180C-SU
Laguna Blue	R NA52-69-120C-6W L NA52-69-180C-6W
Montego Blue	R NA52-69-120C-M8 L NA52-69-180C-M8
Neo Green	R NA52-69-120C-HU L NA52-69-180C-HU
Satellite Blue	R NA52-69-120C-A5 L NA52-69-180C-A5

## INTERIOR TRIM



<b>1 Panel Assy, Trim</b>	
1990-93	
Man Windows	R NA01-68-420C-00 L NA01-68-450C-00
Black	R NA01-68-420C-88 L NA01-68-450C-88
Black/Tan	R NA01-68-420C-88 L NA01-68-450C-88
Pwr Windows	R N019-68-420A-00 L N019-68-450A-00
Black	R N019-68-420A-88 L N019-68-450A-88
Black/Tan	R N019-68-420A-88 L N019-68-450A-88
1994	
Pwr Windows	R N031-68-420C-00 L N031-68-450B-00
w/Sensory Sound	R N031-68-420B-88 L N031-68-450B-88
Plastic Kickplate	R N021-68-420C-00 L N021-68-450C-00
Black	R N021-68-420C-88 L N021-68-450C-88
Tan	R N021-68-420C-00 L N021-68-450C-00
Stainless Steel Kickplate	R N021-68-420C-00 L N021-68-450C-00
Black	R N021-68-420C-88 L N021-68-450C-88
Tan	R N021-68-420C-00 L N021-68-450C-00
w/o Sensory Sound	R N030-68-420D-00 L N030-68-450D-00
Plastic Kickplate	R N030-68-420C-88 L N030-68-450B-88
Black	R N026-68-420B-00 L N026-68-450C-00
Black	R N026-68-420B-88 L N026-68-450B-88
Tan	R N026-68-420B-00 L N026-68-450B-00
Man Windows	R N029-68-420B-00 L N029-68-450B-00
w/Sensory Sound	R N029-68-420B-88 L N029-68-450B-88
Black	R N029-68-420B-00 L N029-68-450B-00
Tan	R N029-68-420B-88 L N029-68-450B-88
w/o Sensory Sound	R N028-68-420C-00 L N028-68-450C-00
Black	R N028-68-420B-88 L N028-68-450B-88
Tan	R N028-68-420B-00 L N028-68-450B-00
1995-96	
Man Windows	R N036-68-420A-00 L N036-68-450A-00
w/Sensory Sound	R N028-68-420C-00 L N028-68-450C-00
Black	R N035-68-420A-00 L N035-68-450A-00
Tan	R N034-68-420-00 L N034-68-450-00
w/o Sensory Sound	R N035-68-420A-00 L N035-68-450A-00
Pwr Windows	R N035-68-420A-00 L N035-68-450A-00
w/Sensory Sound	R N035-68-420A-00 L N035-68-450A-00
Black	R N035-68-420A-00 L N035-68-450A-00
Tan	R N035-68-420A-00 L N035-68-450A-00
1997	
Man Windows	R NB86-68-420-00 L NB86-68-450-00
w/CD Player	R NB84-68-420-00 L NB84-68-450-00
Pwr Windows	R NB87-68-420-00 L NB87-68-450-00
w/CD Player	R NB87-68-420-00 L NB87-68-450-00
Black	R NB87-68-420-00 L NB87-68-450-00
Tan	R NB87-68-420-80 L NB87-68-450-80

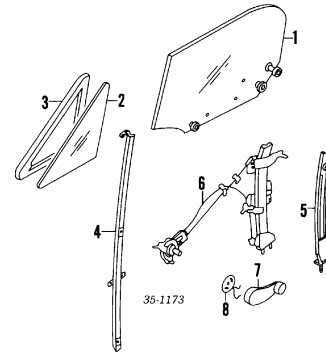
w/o CD Player	L NB87-68-450D-80
Black	R NB85-68-420-00 L NB85-68-450D-00
Tan	R NB85-68-420-80 L NB85-68-450-80
*Order by Application	
2 W/Strip, Front Inner Belt	R/L NA02-58-821
3 W/Strip, Rear Inner Belt	R/L NA01-58-821A
*Included w/Trim Panel Assy	
<b>4 Armrest/Grip</b>	
1990-93	
Black	R BF70-69-370C-00 L BF70-69-390C-00
Tan	R BF70-69-370C-88 L BF70-69-390C-88
1994-95	R N026-69-D70-00 L N026-69-D90-00
1996-97	R BF70-69-370C-00 L BF70-69-390C-00
Black	R BF70-69-370C-88 L BF70-69-390C-88
Tan	R BF70-69-370C-88 L BF70-69-390C-88
<b>5 Grille, Speaker</b>	
1990-93	
Black	R NA01-68-4H0-00 L NA01-68-4W0-00
Tan	R NA01-68-4H0-88 L NA01-68-4W0-88
1994-96	R N020-68-4E6 L N020-68-4V6
1997	R/L A004-68-5H0-00
Man Windows	R/L BR72-68-3S0A-60
Pwr Windows	R/L A004-68-5H0-00
w/CD Player	R/L A004-68-5H0-00
w/o CD Player	R/L A004-68-5H0-00
*Order by Application	
<b>Speaker, Radio</b>	
1990-93	R/L 0000-81-084A-01
1994-96	R/L 0000-81-7501
1997	R/L NB42-68-960

## HARDWARE

<b>1 Handle, Inside</b>	
90-96	R NA01-58-330A-00 L NA01-58-330C-00
97	R NA01-58-330C-00 L NA01-58-330C-00
<b>2 Cover, Inside Handle</b>	
R/L	NA01-58-303-00
<b>3 Latch, Door</b>	
R/L	NA01-58-310B L NA01-58-310B
<b>Striker, Door-See Quarter Panel Section</b>	
<b>4 Cylinder Kit, Lock</b>	
90-94	R NA01-76-210E L N001-76-220E
95	R N001-76-210E L N001-76-220E
96-97	R N001-76-210E L N001-76-220E
<b>5 Handle, Outside</b>	
R	NA01-58-410D L NA01-58-410D
<b>6 Hinge, Upper</b>	
R	B156-58-240 L B156-58-240
<b>7 Hinge, Lower</b>	
R	B156-58-240 L B156-58-240
<b>8 Shim, Hinge (2/Side)</b>	
R/L	B092-58-201A
<b>9 Check, Door</b>	
R/L	NA01-58-270B
<b>10 Weatherstrip, Door</b>	
R	NA01-58-760J L NA01-58-760J
<b>11 Welt, Seam</b>	
R/L	NA01-68-911-00

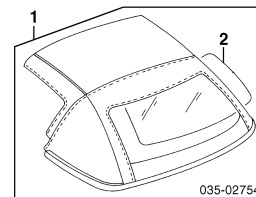
## GLASS & PARTS

Illustration Located in Next Column	
<b>1 Glass, Front Door</b>	
90-96	R NA01-58-510 L NB39-59-510
Mazda (Tint)	R NB84-68-420-00 L NB84-68-450-00
97	R NB39-59-510 L NB39-59-510
<b>2 Glass, Vent</b>	



Mazda (Tint)	90-96	R NB39-58-661A L NA01-58-661 97	R NB39-58-661A L NB39-58-661A
<b>3 W/Strip, Vent Glass</b>		R NA01-58-651B L NA01-58-651B	R NA01-58-651B L NA01-58-651B
<b>4 Channel, Division</b>		R NA01-58-604B L NA01-58-604B	R NA01-58-604B L NA01-58-604B
<b>5 Guide, Glass</b>		R NA01-58-603D L NA01-58-603D	R NA01-58-603D L NA01-58-603D
<b>6 Regulator, Window</b>			
Manual		R NA01-58-560J L NA01-58-560J	R NA01-58-560J L NA01-58-560J
Power		R NA02-58-560L L NA02-58-560L	R NA02-58-560L L NA02-58-560L
<b>Motor, Regulator-Serviced w/Pwr Window Regulator</b>			
90-93	R/L	B092-58-580-30 94-97	R/L B092-58-580-30 S084-58-580A-00
<b>8 Escutcheon, Handle</b>		R/L	B001-58-582A-00

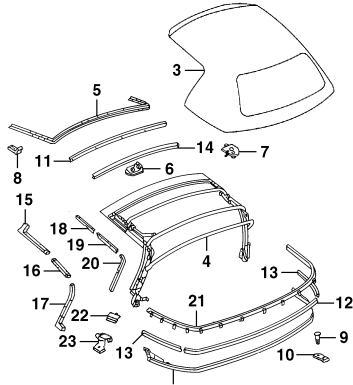
## CONVERTIBLE TOP



<b>1 Cover Assy, Top Outer</b>	
Black	NA01-R1-210M
Blue	N.A.
Tan	NA02-R1-210F
<b>2 Window, Back</b>	
Black	NAY1-R1-240G
Blue	NOY5-R1-240A
Tan	NAY2-R1-240D
*Included w/Top Outer Cover Assy	
<b>Cloth, Repair Top</b>	
Black	NAY1-R1-211
Blue	NOY5-R1-211
Tan	NAY2-R1-211
Illustration Located in Next Column	
<b>3 Cover, Top Inner</b>	
	NA01-R1-96XD
<b>4 Frame, Cover</b>	
	NA01-R1-100E
<b>5 Weatherstrip, Header</b>	
	NA01-R1-711B
<b>6 Handle, Top</b>	
	NA01-R1-331
<b>7 Latch, Top</b>	
	R NA01-R1-310L L NA01-R1-320L
<b>8 Striker, Latch</b>	
	R NA01-R1-361H L NA01-R1-371H
<b>9 Hook, Upper Pin</b>	
	R/L NA01-R1-38XB
<b>10 Base, Pin Hook</b>	
	R/L FB67-R1-91YC
<b>11 Plate Set, Front</b>	
	NA01-R1-291A
<b>12 Plate Set, Rear Center</b>	
	NA01-R1-581D
<b>13 Plate Set, Rear Outer</b>	
	R NA01-R1-592B L NA01-R1-592B
<b>14 Welt, Seam</b>	
	NA01-R1-281
<b>15 W/Strip, Frame Front</b>	
	R NA01-R1-461 L NA01-R1-471
<b>16 W/Strip, Frame Center</b>	
	R NA01-R1-462 L NA01-R1-472
<b>17 W/Strip, Frame Rear</b>	
	R NA01-R1-463 L NA01-R1-473
<b>18 Retainer, Weatherstrip</b>	
Front	R NA01-R1-411C

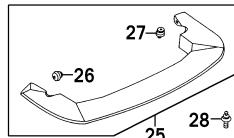
# MAZDA MIATA 1990-97

## CONVERTIBLE TOP Cont'd



035-01175

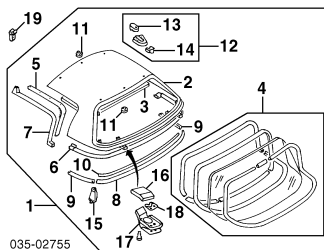
- 19 Center
  - L NA01-R1-421C
  - R NA01-R1-412C
- 20 Rear
  - L NA01-R1-422C
  - R NA01-R1-413C
- 21 Moulding, Belt
  - L NA01-R1-423C
  - R NA01-R1-750E
- 22 Protector, Moulding
  - L NA01-R1-741B
  - R NA01-R1-742C
- 23 Cover, Belt
  - R NC10-R1-780G
  - L NC10-R1-790G
- 24 Rail, Drip
  - NC20-R1-560



035-02404

- 25 Boot Assy
  - Black NA01-R1-960H-66
  - Tan NA01-R1-960H-88
- 26 Hook, Corner (2/Side)
  - R/L B235-R1-953
- 27 Hook, Top Boot (7)
  - Black NA01-R1-96Z-00
  - Silver NA01-R1-96Z-75
- 28 Hook, Inner
  - R/L FB67-R1-91YC

## HARDTOP



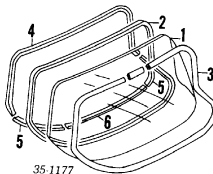
035-02755

- 1 Panel Assy, Top
  - 1990-93
    - Body Color NAY3-R1-81X-98
    - Primered (P) NA01-R1-810-DU
    - Black Interior NAY3-R1-81X-95
    - Tan Interior NAY3-R1-81X-98
  - 1994-95
    - USA (P) NAY3-R1-81X-95
    - Canada N.A.
    - 1996-97 NAY3-R1-810-PZ
  - A5 Satellite Blue; HU Neo Green; M8 Montego Blue; PT Chaste White; PZ Brilliant Black; SU Classic Red; 18 Artvin Red; 3L Silver Stone; 6W Laguna Blue
  - (P) Paint to Match
- 2 Shell, Top Panel (1990)

- Primered (P) NA02-R1-82XA
- Blue NA06-R1-810-DU
- White NA03-R1-81X-98
- 1991-97 (a) NA06-R1-82X-PZ
- (P) Paint to Match
- \*Add'l Parts &/or Dealer Contact Required
- A5 Satellite Blue; HU Neo Green; M8 Montego Blue; PT Chaste White; PZ Brilliant Black; SU Classic Red; 18 Artvin Red; 3L Silver Stone; 6W Laguna Blue
- (a) Brilliant Black listed, Order by Application
- 3 Headliner N007-68-031-00
- 4 Glass, Back Window
  - See Back Window Section
- 5 Retainer, Side W/Strip
  - R NA01-R1-892
  - L NA01-R1-892
- 6 W/Strip, Top Rear NA01-R1-89XB
- 7 W/Strip, Top Side
  - R NA01-R1-881B
  - L NA01-R1-891B
- 8 Moulding, Belt
  - Center
    - 90-93 NA01-R1-935B
    - 94-97 NA01-R1-935B
  - Side (a)
    - 90-93 R NA01-R1-936A
    - L NA01-R1-946A
    - 94-97 R NA01-R1-936A
    - L NA01-R1-946A
- (a) Included w/Center Belt Moulding
- 10 Tape, Edge Protector
  - NAY1-R1-937
  - G030-55-225-00
- 11 Cover, Hole (6)
- 12 Latch Assy, Top Front
  - R NA01-R1-310L
  - L NA01-R1-320L
- 13 Cap, Latch (a)
  - R/L NA01-R1-311
  - R/L NA01-R1-319B
- 14 Pad, Cap (a)
  - (a) Included w/Top Front Latch Assy
- 15 Latch, Top Rear
  - R/L NA02-R1-310G
- 16 Cover, Latch
  - R NA01-R1-861
  - L NA01-R1-871
  - L NA01-R1-864
  - L NA01-R1-874
- 17 Cushion, Latch
  - R/L NA01-R1-863
- 18 Plate, Latch
  - (a) Included w/Top Panel Assy
- 19 Striker, Latch
  - R NA02-R1-361D
  - L NA02-R1-371D

## BACK WINDOW

### HARDTOP

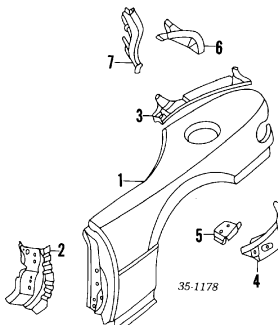


35-1177

- 1 Glass, Back Window
  - Mazda (Tint) N007-63-931
  - Heated 90-95 NA01-63-931C
  - Non-Heated 96-97 NB40-63-931
- 2 Dam, Glass
  - NA01-63-895
- 3 Moulding Assy, Reveal
  - NAY1-63-930
  - Cover, Joint (a) NA01-63-934
  - (a) Included w/Reveal Moulding Assy
- 4 Protector, Glass Upper (2) NA01-63-936A
- 5 Protector, Glass Side
  - R/L NA01-63-936A
- 6 Protector, Glass Lower NA01-63-936A
- (a) Included w/Top Panel Assy-listed in Hardtop Section

## QUARTER PANEL

### SHEET METAL

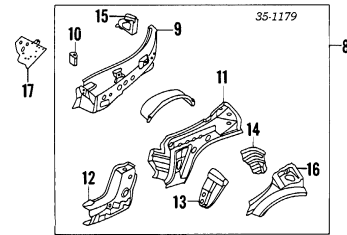


35-1178

- 1 Panel, Quarter
  - R NAY1-70-400B
  - L NAY1-71-400B
- Door, Fuel NA01-42-410B

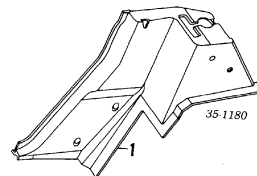
## Antenna Assy, Manual

- 1990-93 0000-81-1005
- 1994-95 0000-81-2005
- 1996-97 0000-81-856A
- Mast, Man Antenna
  - 90-95 0000-81-005A
  - 96-97 0000-81-904C
- (a) Included w/Manual Antenna Assy
- Antenna, Power 0000-81-9300
- Striker, Door
  - R/L B001-58-361A
- 2 Reinf, Door Striker
  - R NA01-70-460
  - L NA01-71-460
- 3 Rail, Drip Rear
  - R NA01-70-440A
  - L NA01-71-440A
- 4 Panel, Lower Rear
  - L NA01-71-421
- 5 Brlt, Left Lower Panel
  - NA01-71-453
- 6 Gusset, Rear
  - R NA01-70-445
  - L NA01-71-445
- 7 Housing, Lamp
  - R NA01-70-130
  - L NA01-71-130



- 8 Panel Assy, Inner
  - 90-93 R NA01-70-100L
  - L NA01-71-100G
  - 94-97 R NA75-70-100
  - L NA75-71-100
- 9 Panel, Inner
  - R NA01-70-19XF
  - L NA01-71-19XF
- 10 Bracket, Inner Panel
  - R/L NA01-71-192
- 11 Reinf, Belt Line
  - R NA01-70-116D
  - L NA01-71-116F
- 12 Plate, Joint
  - Lower Front
    - R NA01-70-12XA
    - L NA01-71-12XA
- 13 Plate, Seal
  - R NA01-70-11Z
  - L NA01-71-11Z
- 14 Protector, Rear
  - Splash Shield
    - R NA01-70-15X
    - L NA01-71-15XA
- 15 Bracket, Battery
  - NA01-70-17XA
- 16 Panel, Strut
  - R NA01-70-111C
  - L NA01-71-111XB
- (a) Included w/Inner Panel Assy
- Shield, Splash
  - R NA01-56-311D
  - L NA01-56-321D
- 17 Plate, Closing
  - 90-93 R N067-70-670
  - L NA01-71-670
  - 94-97 R N067-70-670
  - L NA01-71-670C
- Panel Assy, Bulkhead
  - Insulator, Bulkhead NA01-56-39YA
  - NA01-68-6N1
- (a) Included w/Bulkhead Panel Assy

## INTERIOR TRIM



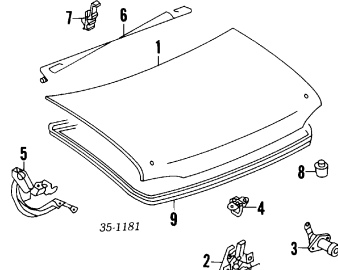
35-1180

- 1 Panel, Quarter Trim
    - 1990-93
      - Soft Top
        - Black R NA01-68-520A-00
        - L NA01-68-550A-00
      - Tan R NA01-68-520A-88
      - L NA01-68-550A-88
    - Hardtop
      - Black R NA02-68-520A-00
      - L NA02-68-550A-00
    - Tan R NA02-68-520A-88
    - L NA02-68-550A-88
  - 1994-97
    - Soft Top
      - Black R NA75-68-520-00
      - L NA75-68-550-00
    - Tan R NA75-68-520A-88
    - L NA75-68-550-88
  - Hardtop
    - Black R NA76-68-520-00
    - L NA76-68-550-00
  - Tan R NA76-68-520-88
  - L NA76-68-550-88
- Trim, Package Tray
  - 1990-95 NA76-68-550-88

# MAZDA MIATA 1990-97

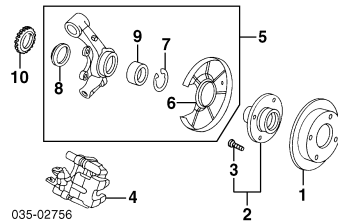
Black	NA01-68-3F1F-00
Tan	NA01-68-3F1F-88
1996-97	
Black	NB38-68-3F1C-02
Tan	NB38-68-3F1C-88

## LUGGAGE LID



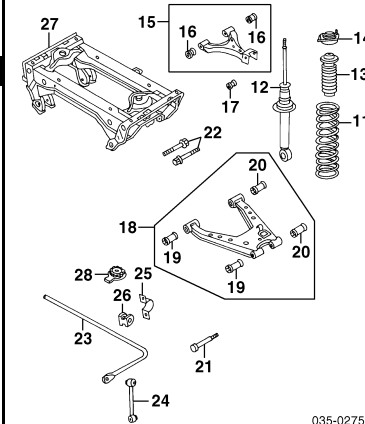
- Lid, Luggage
- Latch
- Cylinder & Key
- Striker, Latch
- Hinge
- Bar, Torsion
- Holder, Torsion Bar
- Cushion, Rubber
- Weatherstrip, Lid Lamp, High Mount Stop-See Rear Lamps Section

## REAR SUSPENSION



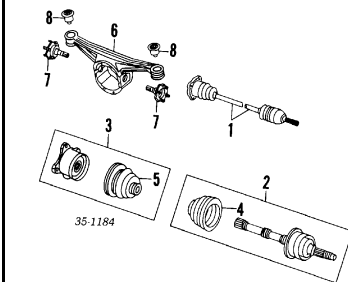
- Rotor, Brake
- Hub Assy
- Bolt, Lug(4/Side)
- Caliper, Brake
- Knuckle Assy w/ABS
- Shield, Splash
- Ring, Retaining
- Seal, Grease
- Bearing, Knuckle
- Sensor, ABS-See Anti-Lock Brake System Section
- Ring, ABS Sensor Hose, Brake
- Spring, Coil w/Sport Pkg

Illustration Located in Next Column



- Strut
- Insulator, Mount
- Stopper, Bumper w/Sport Pkg
- Arm Assy, Upper
- Bushing, Rubber(2/Side)
- Bushing, Upper Arm
- Arm Assy, Lower
- Bushing, Arm Front
- Bushing, Arm Rear
- Bolt, Lower Arm Outer
- Bolt, Lower Arm Inner-Adjust (2/Side)
- Bar, Stabilizer
- Link, Stab Bar
- Bracket, Stab Bar
- Bushing, Bar
- Crossmember, Suspension
- Washer, Crossmember

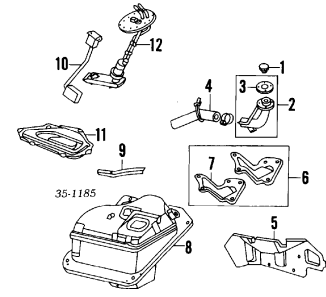
## REAR DRIVE AXLE



- Shaft Assy, Axle w/ABS
- Joint Assy, Outer w/ABS

- Joint Assy, Inner
- Boot Set, Outer(a)
- Boot Assy, Inner(b)
- Case, Differential
- Shaft, Output
- Insulator, Differential Case

## FUEL TANK



- Cap, Filler
- Pipe Assy, Fuel Fill Gasket, Filler Pipe
- Hose, Filler
- Protector, Filler Pipe
- Cover Assy, Dust
- Gasket, Dust Cover
- Tank, Fuel
- Pad, Fuel Tank Gauge, Fuel
- Cover, Fuel Gauge Pump, Fuel Electric

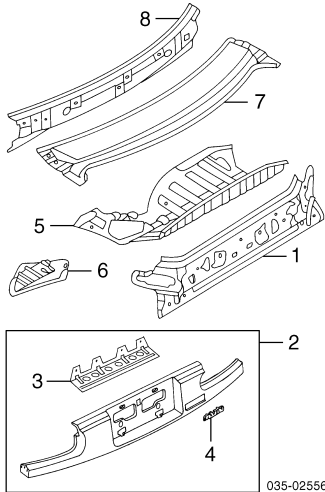
## REAR BODY

Illustration Located in Next Column

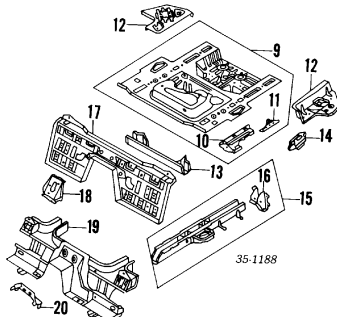
- Panel, Rear Body Lower
- Panel Assy, Finish

# MAZDA MIATA 1990-97

## REAR BODY Cont'd



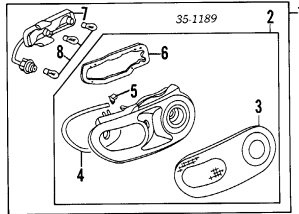
- 3 Reinf. Finish Panel  
1990-93† NA01-50-852  
1994-97-Serviced w/Finish Panel Assy
- 4 Nameplate  
\*MAZDA† NA01-51-711  
\*Miata Mazda MX-5† NA01-51-721A  
†Included w/Finish Panel Assy
- 5 Panel, Bulkhead NA01-70-51Y
- 6 Cover, Bulkhead Panel NA01-56-971
- 7 Panel, Rear Upper Body NA01-70-521B
- 8 Member, Rear Deck NA01-70-530D



- 9 Pan Assy, Rear Floor 90 NA01-53-710B  
91-97 NA01-53-710B
- 10 Plate, Side Front† R NA01-53-750
- 11 Plate, Side Rear† L NA01-54-750B  
R/L NA01-53-760B  
†Included w/Rear Floor Pan Assy
- 12 Extension Assy, Rear Floor R NA01-53-740C  
L NA01-54-740A  
Bracket, Jack† B455-53-750C  
†Included w/Left Rear Floor Extension Assy
- 13 Crossmember, Rear Floor NA01-53-931
- 14 Hook, Tie-Down R NA01-56-29XC  
L NA01-56-290C
- 15 Rail Assy, Rear R NA01-53-810J  
L NA01-54-810J
- 16 Bracket, Bumper† R NA01-53-830C  
L NA01-54-830C  
†Included w/Rear Rail Assy
- 17 Pan, Center Floor 90-93 NA01-53-720  
94-97 NA75-53-720
- 18 Gusset, Center Floor 90-93 NA01-53-880  
94-97 NA01-53-880A
- 19 Xmbr, Center Floor 90-93 NA01-53-900B  
94-97 NA75-53-900A
- 20 Brkt, Brake Cable NA01-53-819

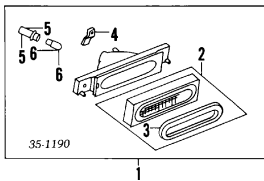
## REAR LAMPS

### COMBINATION LAMP



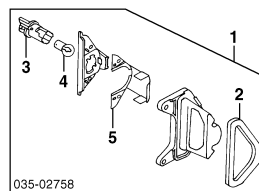
- 1 Lamp Assy, Combination R 8BN1-51-150  
L 8BN1-51-160
- 2 Lens & Body Assy† R NA01-51-170B  
L NA01-51-180B
- 3 Lens† (a) R NA01-51-15XC  
L NA01-51-16XC
- 4 Protector, Body† (a) R NA01-51-159  
L NA01-51-169
- 5 End, Protector† (a) R NA01-51-173  
L NA01-51-183
- 6 Gasket, Body† (a) R/L NA01-51-158  
(a) Included w/Lens & Body Assy
- 7 Socket & Wire† R NA01-51-155A  
L NA01-51-165A
- 8 Bulb† Back-Up/Signal (2/Side) R/L 0000-11-1156  
Stop/Tail R/L 0000-11-1157  
†Included w/Lamp Assy

### HIGH MOUNT STOP LAMP



- 1 Lamp Assy† 90-96 NA01-51-580B  
97 NA12-51-580C  
†Located on Luggage Lid
- 2 Lens Assy 1990-96 (a) NA01-51-58XA  
1997-Serviced w/Lamp Assy
- 3 Gasket, Lens (a) (b) NA01-51-592B  
(b) Included w/Lens Assy
- 4 Fastener 1990-96 (a) NA01-51-599  
1997-Serviced w/Lamp Assy
- 5 Socket (a) 90-96 BJ38-51-584  
97 NA12-51-584
- 6 Bulb (a) 90-96 0000-11-0921  
97 9970-13-210  
(a) Included w/Lamp Assy

### LICENSE LAMP

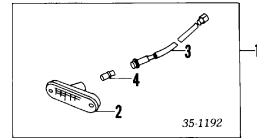


- 1 Lamp Assy R/L 8BF1-51-270
- 2 Gasket, Lite† R/L FB67-51-273
- 3 Socket & Wire† R/L FB67-51-272
- 4 Bulb† R/L 0000-11-0089
- 5 Shade, Lamp† R/L FB67-51-276  
†Included w/Lamp Assy

### SIDE MARKER LAMP

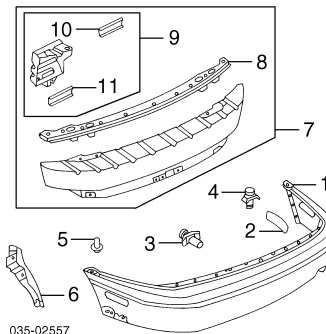
Illustration Located in Next Column

- 1 Lamp Assy R 8BN1-51-550



- 2 Lens & Body† L 8BN1-51-560  
R NA01-51-5H1C  
L NA01-51-5J1C
- 3 Socket & Wire† R NA01-51-5H2A  
L NA01-51-5J2A
- 4 Bulb† R/L 0000-11-0194  
†Included w/Lamp Assy

## REAR BUMPER



- 1 Cover, Rear (P) NAY1-50-220A-8J  
(P) Paint to Match
- 2 Seal, Cover Side R/L NA01-50-0G8
- 3 Retainer, Cover (5) BF82-50-233
- 4 Fastener, Cover (11) BF67-50-033
- 5 Slide, Bumper R/L GJ21-50-032
- 6 Shield, Splash R NA01-50-2S4  
L NA01-50-2S5
- 7 Reinforcement Assy NA01-50-260
- 8 Retainer, Reinf† R NA01-50-2UJ  
L NA01-50-280A
- 9 Stay Assy, Support† L NA01-50-290A  
R/L NA01-50-28YC  
R/L NA01-50-28XC
- 10 Plate Set† (a) †Included w/Reinforcement Assy  
(a) Included w/Support Stay Assy
- 11 Plate Set† (a)