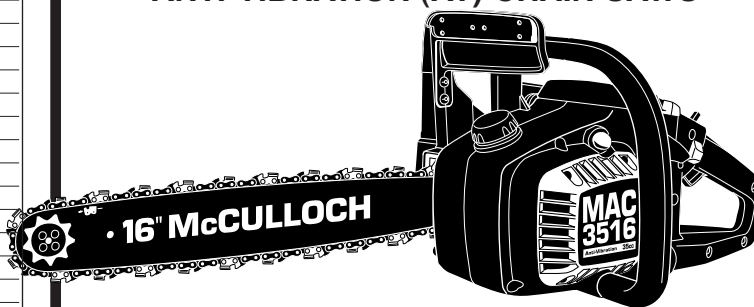


McCULLOCH®

32cc, 35cc and 38cc GASOLINE POWERED ANTI-VIBRATION (AV) CHAIN SAWS



MODEL NAME	(+)SERIAL NUMBER PREFIX	MODEL NUMBER	BAR & CHAIN	ENGINE SIZE
MS1635AV	-	-	16"	35cc
MS1838AV	-	-	18"	38cc
EAGER BEAVER 2116	11-/21-	600035-08	16"	35cc
EAGER BEAVER 2116	11-/21-	600035-14	16"	35cc
EAGER BEAVER 2116	11-	600035-20	16"	35cc
EAGER BEAVER 2116	11-	600035-32	16"	35cc
EAGER BEAVER 2116	11-/21-	600035-35	16"	35cc
EAGER BEAVER 2316	11-/21-/22-	600038-10	16"	38cc
EAGER BEAVER 2316	11-	600038-22	16"	38cc
EAGER BEAVER 2318	11-	600038-23	18"	38cc
EAGER BEAVER 2318	11-/21-	600038-28	18"	38cc
EAGER BEAVER 2318	11-/21-	600038-12	18"	38cc
MAC 3516	11-/21-	600035-10	16"	35cc
MAC 3516	11-/21-	600035-12	16"	35cc
MAC 3516	11-/21-	600035-17	16"	35cc
MAC 3516	11-/21-/22-	600035-18	16"	35cc
MAC 3516	11-	600035-19	16"	35cc
MAC 3516	11-	600035-34	16"	35cc
MAC 3516	11-/21-	600035-50	16"	35cc
MAC 3516	11-	600035-53	16"	35cc
MAC 3516	11-/21-	600035-54	16"	35cc
MAC 3516	11-/21-	600035-57	16"	35cc
MAC 3516	11-/21-	600035-59	16"	35cc
MAC 3816	11-/21-	600038-31	16"	38cc
MAC 3816	11-/21-	600038-76	16"	38cc
MAC 3816	11-/21-	600038-77	16"	38cc
MAC 3818	11-/21-	600038-08	18"	38cc
MAC 3818	11-/21-	600038-18	18"	38cc
MAC 3818	11-	600038-27	18"	38cc
MAC 3818	11-/21-	600038-29	18"	38cc
MAC 3818	11-	600038-58	18"	38cc
MAC 3818	11-/21-/22-	600038-65	18"	38cc
MAC 3818	11-/21-/22-	600038-67	18"	38cc
MAC 3818	11-/21-	600038-68	18"	38cc
MAC 3818	11-	600038-71	18"	38cc
MAC 3818	11-/21-	600038-73	18"	38cc
MAC 3818	11-/21-	600038-81	18"	38cc
MACCAT 16	11-	600038-69	16"	38cc
MACCAT 18	11-/21-	600038-30	18"	38cc
MACCAT 18	11-	600038-46	18"	38cc
MACCAT 18	11-/21-	600038-72	18"	38cc
MACCAT 18	11-/21-	600038-74	18"	38cc
MACCAT 18	21-	600038-82	18"	38cc
MACCAT SUPER 16	11-/21-	600038-14	16"	38cc
MACCAT SUPER 16	11-	600038-24	16"	38cc
MACCAT SUPER 18	11-/21-/22-	600038-16	18"	38cc
MACCAT SUPER 18	11-/21-	600038-19	18"	38cc
MACCAT SUPER 18	11-/21-	600038-20	18"	38cc
MACCAT SUPER 18	11-/21-	600038-21	18"	38cc
MACCAT SUPER 18	11-	600038-25	18"	38cc
PROMAC 3205	11-/21-/22-	600032-10	14"	32cc
PROMAC 3505	11-/21-	600035-04	16"	35cc
PROMAC 3505	11-/21-/22-	600035-16	16"	35cc
PROMAC 3505	11-	600035-21	16"	35cc
PROMAC 3505	11-	600035-31	16"	35cc
PROMAC 3805	11-/21-/22-	600038-04	18"	38cc
PROMAC 3805	11-	600038-26	18"	38cc
PROMAC 3805	11-	600038-47	18"	38cc
PROMAC 3805	11-	600038-62	16"	38cc
SILVER EAGLE 2116	11-	600035-47	16"	35cc
SILVER EAGLE 2116	11-	600035-48	16"	35cc
SILVER EAGLE 2116	11-	600035-51	16"	35cc
SILVER EAGLE 2116	11-/21-	600035-02	16"	35cc
SILVER EAGLE 2318	11-/21-	600038-02	18"	38cc
SILVER EAGLE 2318	11-	600038-59	18"	38cc
SILVER EAGLE 2318	21-	600038-66	18"	38cc

McCulloch products are identified by a model number (in this instance 600035) followed by a suffix number (08). Suffix numbers denote variations in parts or assemblies used in the manufacture of this product.

Illustrated Parts Lists (IPLs) contain a PART NUMBER, DESCRIPTION, UNITS per assembly and STOCKING CODE for each part.

Stocking Codes are:

- A - Dealer stocked. Fast to medium moving part.
- B - Distributor stocked. Medium to slow moving part.
- C - Factory stocked. Slow moving part.

NOTE: The following explains symbols and footnotes in this IPL:

- (-) A dash preceding a PART NUMBER indicates that it is a new part number, different from the one listed in the previous IPL for this unit.
- (.) One or more dots (. Spring, Starter) preceding a part DESCRIPTION indicates the part is included in the kit or assembly described directly above the dot(s).
- (-- --) If four dashes appear in place of a PART NUMBER, the part is not available individually but is included in the next higher assembly or subassembly.
- ①② Circled numbers preceding a DESCRIPTION footnote the part or assembly to additional information on the page.
- (*) An asterisk denotes that choices follow or precede.
- (+) Serial Number Prefix 21- denotes CARB approved unit -- all parts are interchangeable with Serial Number Prefix 11-.

The policy of McCulloch is one of continual improvement in design, manufacturing and engineering advancement wherever possible to assure still finer power tools. Hence, specifications, equipment colors, design and manufacturer's suggested list prices are subject to change without notice. McCulloch reserves the right to make such changes without prior notification or obligation to backfit or supply backfit components for units previously shipped from the factory.

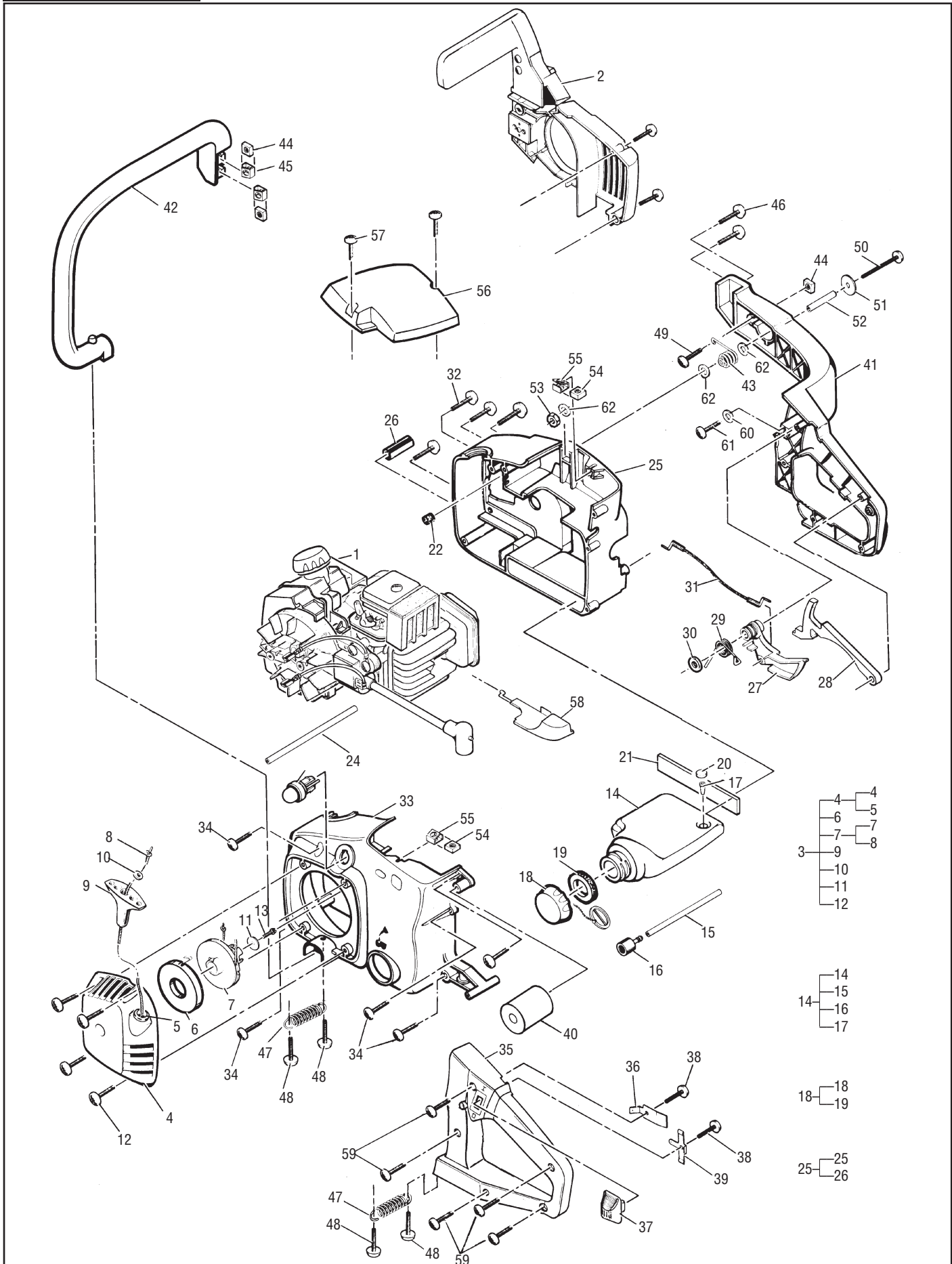
ILLUSTRATED PARTS LIST

P.O. Box 31567
Tucson, Arizona 85751-1567 • U.S.A.

MARCH 2003

FIGURE 1

GENERAL ASSEMBLY



GENERAL ASSEMBLY

FIGURE 1

ITEM NO.	STK CODE	PART NUMBER	DESCRIPTION	UNITS PER ASY
1	-	FIGURE 2	Powerhead Asy	
2	-	FIGURE 3	Chain Brake Asy	
3	A	300264	Starter Housing Asy, Yellow	1
4	B	301044	. Housing/Rope Guide Asy, Yellow	1
5	-	-- --	.. Rope Guide	1
6	A	300475	. Spring, Starter Rewind	1
7	A	301043	. Rope/Drum Asy (32cc)	1
8	A	300300	.. Rope, Starter 50 inch	1
9	A	87851	. Handle, Starter	1
10	A	223944	. Bushing, Starter	1
11	A	300297	. Washer, .19 ID x .68 OD	1
12	A	300294	. Screw, 8-16 x .75 Torx Hd Plast	1
13	A	300294	Screw, 8-16 x .75 Torx Hd Plastite	4
14	B	300260	Oil Tank Asy	1
15	A	300289	. Hose, Oil Pick-up	1
16	A	92465	. Filter, Oil	1
17	A	300256	. Valve, Duckbill	1
18	A	300565	Oil Cap Asy	1
19	-	-- --	. Gasket	1
20	A	300259	Filter, Foam	1
21	B	322195	Spacer, Oil Tank	1
22	A	300259	Filter, Foam	1
23	A	224242-02	Primer, Remote	1
24	A	300298	Hose	1
25	B	301056	Housing/Pin Asy, Right	1
26	-	-- --	. Pin, Roll 1/4 x 1.0 L	1
27	A	224821	Trigger, Throttle	1
28	B	224822	Latch, Throttle	1
29	A	224823	Spring, Torsional	1
30	B	111128	"O" Ring	1
31	B	322409	Cable, Throttle	1
32	A	111226	Screw, 10-24 x .62 Tr Hd Torx	4

ITEM NO.	STK CODE	PART NUMBER	DESCRIPTION	UNITS PER ASY
*33	B	323947-61	Engine Housing, Left, AV, Blk	1
34	A	300294	Screw, 8-16 x .75 Tr Hd, Plastite	5
35	B	322164	Handle, Left Rear, Black, AV	1
36	B	322178	Contact, Ground Stud, AV	1
37	A	68846	Button, Stop Switch	1
38	A	223357	Screw, 8-16 Plastite	2
39	B	224844	Contact, Ignition	1
40	A	322193	Isolator, Rubber	1
41	A	322163	Handle, Right Rear, Black	1
42	A	322162-01	Handle, Front	1
43	A	322165	Spring, Extension	1
44	A	218005	Nut, Square 10-24	3
45	A	300292	Retainer, Nut	2
46	A	111226	Screw, 10-24 x .62 Tr Hd Torx	2
47	A	322166	Spring, Extension	2
48	A	300294	Screw, 8-16 x .75 Tr hd Plastite	4
49	A	217935	Screw, 10-24 x .50 Tr Tors	1
50	A	218083	Screw, 10-24 x 2.0 Tr Torx	1
51	A	322176	Washer, 2.0 x 7.8 in. OD	1
52	B	322175	Spacer, 0.2 ID x 1.0 Lg	1
53	B	111135	Nut, Hex Lock 10-24	1
54	A	218005	Nut, Square 10-24	2
55	A	300292	Retainer, Nut	2
56	B	224830	Cover, Air Filter	1
57	A	111099	Screw, 10-24 x .625 Pn Hd Torx	2
58	A	224826-01	Rod, Choke	1
59	A	300294	Screw, 8-16 x .75 Tr Hd Plastite	5
60	A	300297	Washer, .19 ID x .68 OD	1
61	A	300294	Screw, 8-16 x .75 Tr Hd Plastite	1
62	A	93469	Washer, .469 OD x .222 ID	3

ENGINE SPECIFICATIONS

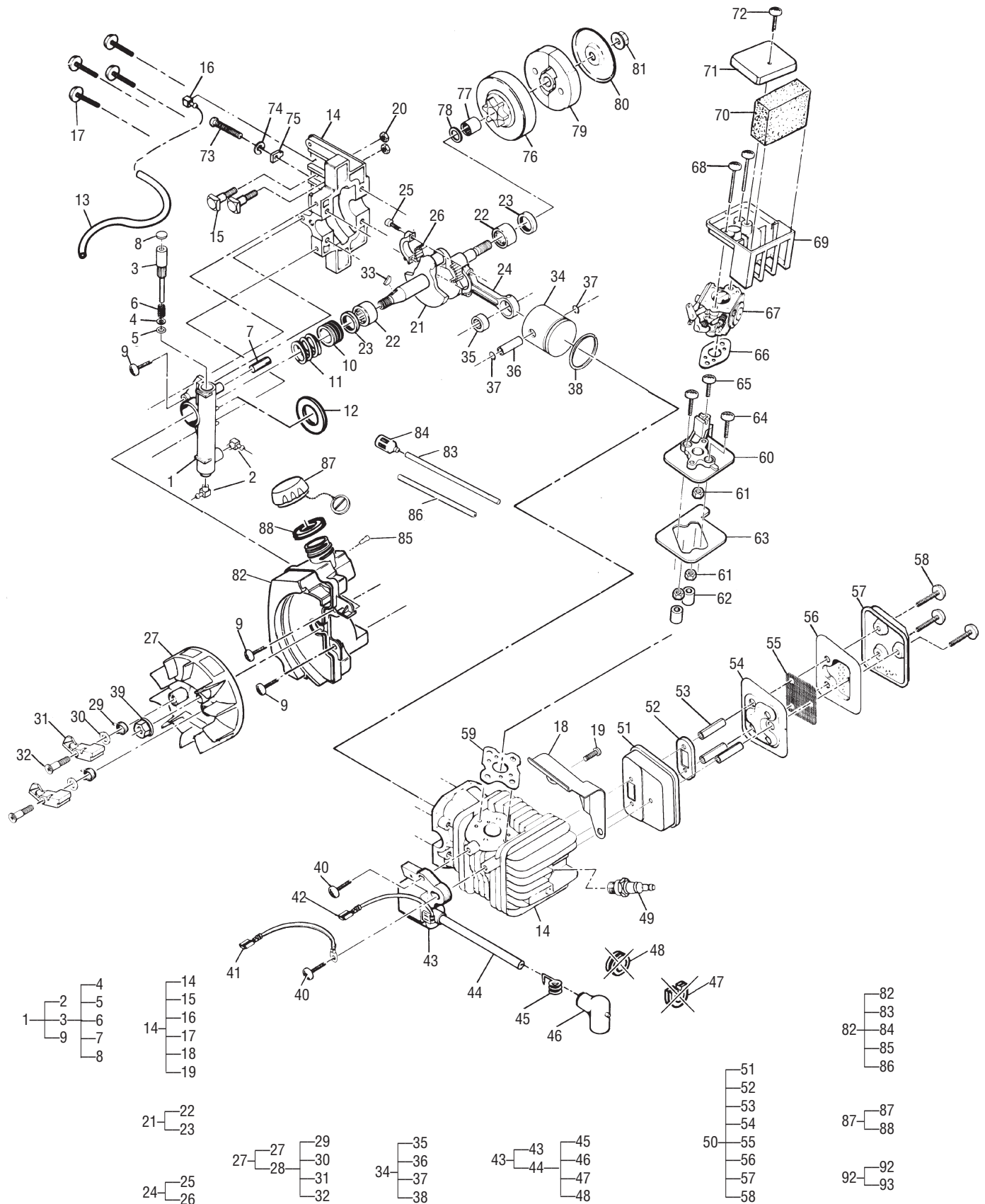
Displacement, cc (ci) 32cc (1.95) 35cc (2.14) 38cc (2.32)
Spark Plug RDJ7Y
Spark Plug Gap025 in. (0.63mm)
Flywheel to Ignition Gap 0.010-0.015 in. (0.254-0.381mm)
Max Power Speed 8000 RPM
Idle Speed 2800-3300 RPM
Clutch Engagement Speed 3800-4000 RPM
Max No Load Speed 11,000 RPM
Fuel Tank Capacity 10 fl. oz
Oil Tank Capacity 6.1 fl. oz

TORQUE SPECIFICATIONS

DESCRIPTION	FASTENER PART NO.	FIG/ ITEM	TORQUE (IN/LBS)	LOCTITE
Right Hsg to C'case	111226	1/32	40-50	262
Oil Pump to C'case	111226	2/9	30-40	262
Carb Insul to Cyl	217937	2/65	30-40	262
Spark Plug	322208	2/50	150	--
Flywheel Nut	110961	2/40	180	--
Clutch Nut	111079	2/82	180	--
Muffler Screws	111093	2/59	50	--
Carburetor Screws	218083	2/69	30-40	262

FIGURE 2

POWERHEAD ASSEMBLY



POWERHEAD ASSEMBLY

FIGURE 2

ITEM NO.	STK CODE	PART NUMBER	DESCRIPTION	UNITS PER ASY	ITEM NO.	STK CODE	PART NUMBER	DESCRIPTION	UNITS PER ASY
1	A	301304	Oil Pump Asy	1	50	B	301045	Muffler Asy	1
2	B	322182	. Fitting	2	51	-	---	. Body	1
3	A	301084	. Kit, Gear/Plunger Asy	1	52	-	---	. Plate, Reinforcing	1
4	A	110582	.. Washer	1	53	-	---	. Spacer	3
5	-	---	.. O-Ring	1	54	-	---	. Baffle, Inner Muffler	1
6	-	---	.. Spring	1	55	B	300286	. Screen, Spark Arrester	1
7	-	---	.. Pin, Dowel	1	56	-	---	. Baffle, Outer	1
8	B	322187	.. Plug, Oil Pump	1	57	-	---	. Cover, Muffler	1
9	A	111226	. Screw, 10-24 x .62 Tr Hd Torx	2	58	B	111093	. Screw, 10-24 x 1.75 Tr Hd Torx	3
10	A	224814	Worm Gear	1	59	A	300265	□ Gasket, Insulator	1
11	A	224840	Spring, Compression	1	60	A	224820	Insulator, Carburetor	1
12	A	300295	□ Seal, Foam, Oil Pump	1	61	A	218315	Nut, Hx 10-24	3
13	A	300288	Connecting Hose	1	62	A	322188	Spacer, Rubber	2
14	A	301284	①□ Short Block Asy	1	63	A	224850	Seal, Foam	1
15	A	83856-01	□ . Bolt, Bar	2	64	B	217937	Screw, Tr 10-24 x 1.00 Torx	2
16	B	300257	□ . Fitting	1	65	A	217936	Screw, Tr 10-24 x .75 Torx	1
17	A	111083	□ . Screw, 12-24 x 1.0 Hx Wshr Hd	4	66	A	300293	□ Gasket, Carburetor	1
18	C	323923	□ . Baffle, Air	1	67	-	FIGURE 4	Carburetor/Choke Asy	1
19	A	111054-00	□ . Screw, 10-24x.625	1	68	A	218083	Screw, Tr 10-24 x 2.0 Torx	2
20	A	110676	Nut, Hx 1/4-28 Flange	2	69	C	224824	Box, Air Filter	1
21	-	---	Crankshaft/Bearing Asy	1	70	A	224831	Filter, Air	1
22	A	213282	. Bearing, C'shaft	2	71	B	224825	Shield, Carburetor	1
23	A	83859	. Seal, C'shaft Oil	2	72	A	111055	Screw, 10-14 x .625 Plastite	1
24	-	---	□ Connecting Rod/Bearing Asy	1	73	A	268656-33	Gas Bar Adj Screw Nut & Ring	1
25	-	---	□ . Screw, Conn Rod	2	74	-	---	. Ring, Retaining	1
26	-	---	□ . Set, Roller Pins	1	75	-	---	. Nut, Bar Adjusting	1
27	B	302220	Flywheel/Pawl Asy	1	76	A	302768	Drum/Sprocket/Bearing Asy	1
28	A	300763-01	. Kit, Flywheel Pawls	2	77	A	91117	. Bearing	1
29	A	216982	.. Spring, Starter Pawl	2	78	B	215259	Washer, Sprocket	1
30	C	111131	.. Washer, Sp .469 OD x .222 ID	2	79	A	301463	Kit, Clutch Asy	1
31	-	---	.. Pawls	2	80	B	300276	Plate, Dust	1
32	A	322721	.. Pin, Starter Pawl	2	81	A	111079	Nut, Clutch, 5/16-24 LH	1
33	A	102164	Key, Flywheel	1	82	A	301834	Fuel Tank Asy	1
34	-	---	①□ Kit, Piston, 38cc	1	83	A	300289	. Hose, Fuel Pickup	1
35	-	---	□ . Bearing, Needle- Drawn Cup	1	84	A	216985	. Filter, Fuel	1
36	-	---	□ . Pin, Piston	1	85	A	322199	. Valve, Duckbill	1
37	-	---	□ . Ring, Snap	2	86	A	300290	. Hose, Primer Retain	1
38	-	---	□ . Piston, Ring, 38cc	1	87	A	300564	Cap, Fuel Asr	1
39	A	110961	Nut, Hx 5/16-24	1	88	-	---	. Gasket, Fuel Cap	1
40	A	217936	Screw, Tr 10-24 x .75 Torx	2					
41	B	300555	Wire Asy, Ground	1					
42	B	300556	Wire Asy, Stop Switch	1					
43	A	302138	Ignition Asy	1					
44	A	223884	. Kit, Plug Wire	1					
45	A	102556	.. Connector	1					
46	A	95266	.. Boot	1					
47	B	110995	③ .. Grommet	1					
48	B	215533-01	③ .. Grommet	1					
49	A	322208	□ Spark Plug RDJ7Y	1					

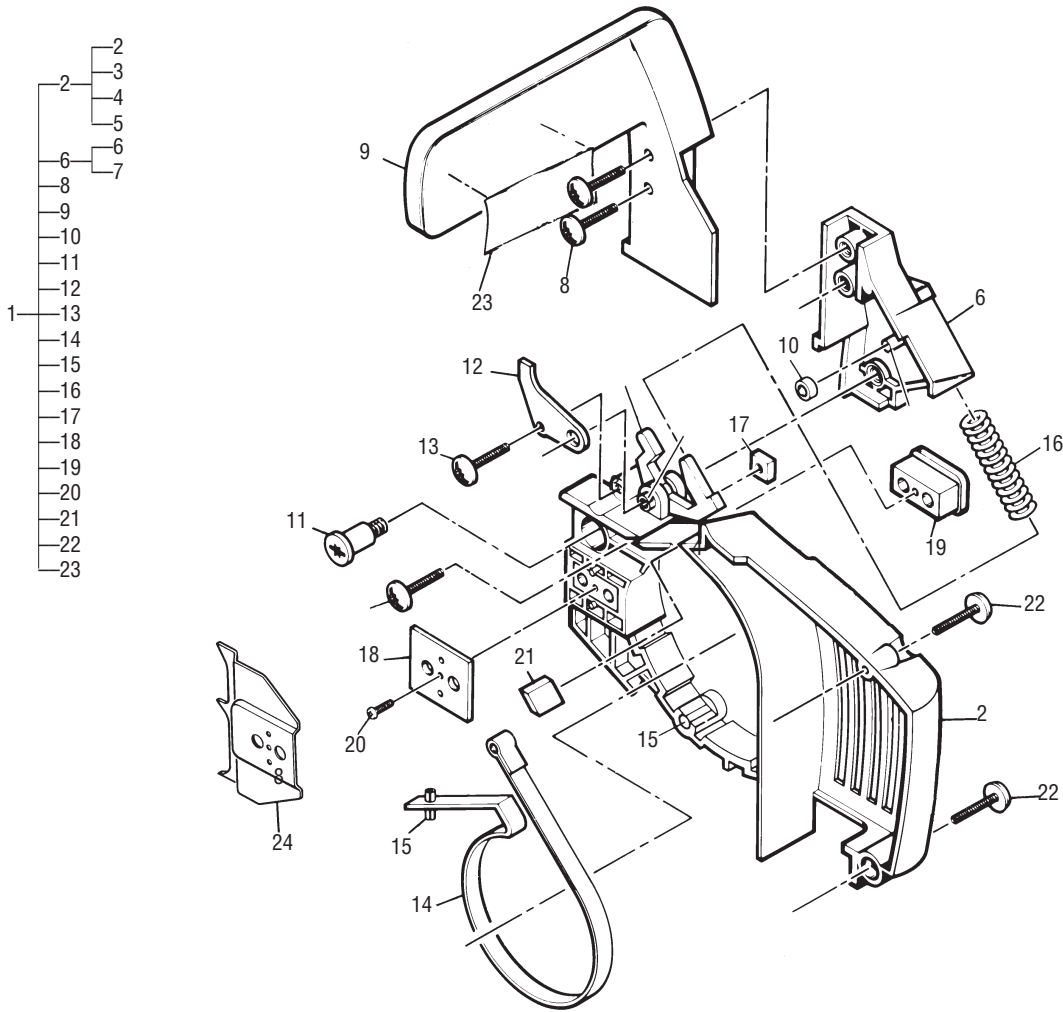
① 32/35cc piston and cylinder are no longer available; for replacement parts, the 38cc Shortblock Asy, PN 301284, must be used.

□ Contents of 38cc Shortblock Asy, PN 301284

③ Not used on these models

FIGURE 3

CHAIN BRAKE ASSEMBLY



ITEM NO.	STK CODE	PART NUMBER	DESCRIPTION	UNITS PER ASY
1	C	301558	* Brake Kit Asy, Yellow	1
2	C	301559	* . Housing Kit Asy, Yellow	1
3	C	216755	.. Latch, Chain Brake	1
4	-	--	.. Dowel, Spring	1
5	-	--	.. Pin, Dowel	2
6	B	301038	. Lever, Actuating	1
7	-	--	.. Pin, Dowel	1
8	A	111226	. Screw, 10-24 x .62 Tr Hd Torx	3
9	A	323082	. Guard, Hand	1
10	B	224849	. Roller	1
11	B	224847	. Screw, Shoulder	1
12	B	224848	. Stop, Brake	1
13	A	300294	. Screw, 8-16 x .75 Tr Hd Plastite	1
14	A	301037	. Band, Brake	1
15	-	--	.. Pin, Spring (.125 x .50)	1

ITEM NO.	STK CODE	PART NUMBER	DESCRIPTION	UNITS PER ASY
16	A	322204	. Spring, Compression	1
17	A	218005	. Nut, Square 10-24	1
18	B	300275	. Shield	1
19	B	300271	. Spacer, Bar Pad	1
20	C	111101	. Screw, 4-40 x 5/16 Taptite	1
21	A	322194	. Seal, Foam	1
22	B	300299	. Screw, 8-16 x 1.0 Tr Hd Plastite	2
23	B	46703-41	. Label, Safety	1
24	B	322181	Ⓢ Spike, Bucking	1

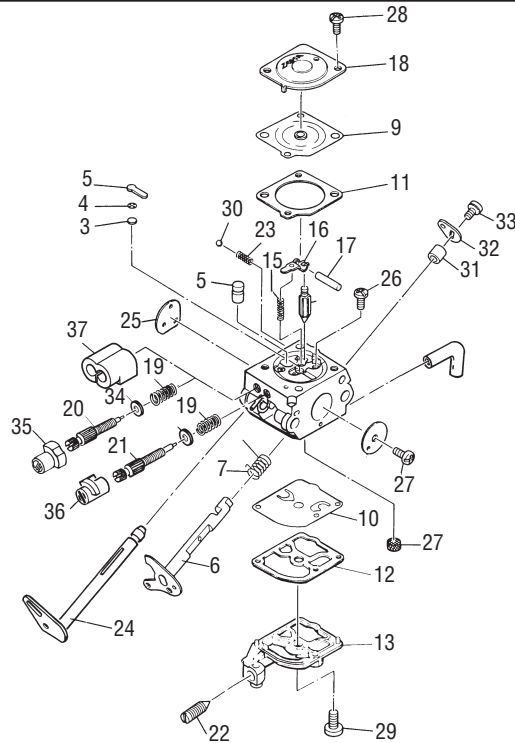
Ⓢ Optional equipment

BAR AND CHAIN INFORMATION

BAR AND CHAIN SIZE	BAR PART NUMBER	CHAIN PART NUMBER	CHAIN SPECIFICATIONS	SERVICE TOOLS	
				FILE AND GUIDE PN	FILE PN (Description)
14"	214235-33	214919-33	MPG370GLX49cl	301992-33 (5/32)	214217-33 (5/32)
16"	214236-33	214925-33	MPG370GLX54cl		
18"	219276-33	219275-33	MPG370GLX60cl		

FIGURE 4

CARBURETOR ASSEMBLY



ITEM NO.	STK CODE	PART NUMBER	DESCRIPTION	UNITS PER ASY
-	B	323653-03	④ Carburetor, Zama CU1M28C	
-	B	323654-03	⑤ Carburetor, Zama CU1M33C	
	B	324947-01	⑥ Carburetor, Zama C1QM36	
1	---	---	① . Strainer	1
2	---	---	① . Plug, Welch	1
3	---	---	. Valve, Check	1
4	---	---	. Retainer, Check Valve	1
5	---	---	. Nozzle Asy, Check Valve	1
6	---	---	. Shaft Asy, Throttle	1
7	---	---	. Spring, Throttle Return	1
8	---	---	. Valve, Throttle	1
9	---	---	①② . Diaphragm Asy, Metering	1
10	---	---	①② . Diaphragm, Pump	1
11	---	---	①② . Gasket, Metering Chamber	1
12	---	---	①② . Gasket, Pump	1
13	---	---	. Cover, Pump	1
14	---	---	① . Valve, Inlet Needle	1
15	---	---	① . Spring, Metering Lever	1
16	---	---	① . Lever, Metering	1
17	---	---	① . Pin	1
18	---	---	. Cover, Metering Chamber	1
19	---	---	. Spring, Adjust Screw	2
20	---	---	. Screw, Main Mixture	1
21	---	---	. Screw, Idle Mixture	1
22	---	---	. Screw, Throttle Adjust	1
23	---	---	. Spring, Friction	4
24	---	---	. Shaft Asy, Choke	1
25	---	---	. Valve, Choke	1
26	---	---	. Screw, Pin	1
27	---	---	. Screw, Throttle/Choke Valve	1
28	---	---	. Screw, Metering Chamber	2
29	---	---	. Screw, Pump Cover	1
30	---	---	. Ball, Steel	1
31	---	---	. Collar	1
32	---	---	. Lever, Throttle	1
33	---	---	. Screw, Throttle Lever	1
34	---	---	. Washer, Limiter	2
35	B	111216	. Cap, Limiter, Hi	1
36	B	111217	. Cap, Limiter, Lo	1
37	---	---	. Retainer, Limiter	1
①	301041	Kit, Carburetor Repair RB-39 (Stk Code A)		
②	301042	Kit, Gasket/Diaphragm GND-35 (Stk Code A)		
④	Can be used on 32/35cc models with serial number prefixes 11-, 21-			
⑤	Can be used on 38cc models with serial number prefixes 11-, 21-			
⑥	Can be used on 32/35/38cc models with serial number prefixes 11-, 21-, 22-			

ITEM NO.	STK CODE	PART NUMBER	DESCRIPTION	UNITS PER ASY
-	B	323653-04	④ Carburetor, Walbro WT 438	
-	B	323654-04	⑤ Carburetor, Walbro WT 439	
1	---	---	① . Strainer	1
2	---	---	① . Plug, Welch	1
3	---	---	. Valve, Check	1
4	---	---	. Retainer, Check Valve	1
5	---	---	. Nozzle Asy, Check Valve	1
6	---	---	. Shaft Asy, Throttle	1
7	---	---	. Spring, Throttle Return	1
8	---	---	. Valve, Throttle	1
9	---	---	①② . Diaphragm Asy, Metering	1
10	---	---	①② . Diaphragm, Pump	1
11	---	---	①② . Gasket, Metering Chamber	1
12	---	---	①② . Gasket, Pump	1
13	---	---	. Cover, Pump	1
14	---	---	① . Valve, Inlet Needle	1
15	---	---	① . Spring, Metering Lever	1
16	---	---	① . Lever, Metering	1
17	---	---	① . Pin	1
18	---	---	. Cover, Metering Chamber	1
19	---	---	. Spring, Adjust Screw	2
20	---	---	. Screw, Main Mixture	1
21	---	---	. Screw, Idle Mixture	1
22	---	---	. Screw, Throttle Adjust	1
23	---	---	. Spring, Friction	4
24	---	---	. Shaft Asy, Choke	1
25	---	---	. Valve, Choke	1
26	---	---	. Screw, Pin	1
27	---	---	. Screw, Throttle/Choke Valve	1
28	---	---	. Screw, Metering Chamber	2
29	---	---	. Screw, Pump Cover	1
30	---	---	. Ball, Steel	1
31	---	---	. Collar	1
32	---	---	. Lever, Throttle	1
33	---	---	. Screw, Throttle Lever	1
34	---	---	. Washer, Limiter	2
35	B	325465	. Cap, Limiter, Hi	1
36	B	325466	. Cap, Limiter, Lo	1
37	---	---	. Retainer, Limiter	1
①	324013	Kit, Carburetor Repair A1128WT (Stk Code A)		
②	324009	Kit, Gasket/Diaphragm B1110WT (Stk Code A)		
④	Can be used on 32/35cc models with serial number prefixes 11-, 21-			
⑤	Can be used on 38cc models with serial number prefixes 11-, 21-			



P.O. Box 31567 • Tucson Arizona 85751-1567 • U.S.A.

• MANUFACTURING • SALES • SERVICE •

FOR WARRANTY OR SERVICE, CONTACT THE NEAREST McCULLOCH AUTHORIZED SERVICE CENTER LISTED UNDER 'SAWS' IN YOUR TELEPHONE DIRECTORY YELLOW PAGES.

IF FURTHER ASSISTANCE IS REQUIRED, CALL THIS TOLL-FREE HOT LINE.
PLEASE REFERENCE YOUR MODEL AND SERIAL NUMBER.

1-800-521-8559

MONDAY - FRIDAY - 6:00 AM - 4:30 PM (MST)

www.mccullochpower.com

