



McIntosh Laboratory, Inc. 2 Chambers Street Binghamton, New York 13903-2699 Phone: 607-723-3512 www.mcintoshlabs.com

McAire
Integrated Audio System
Owner's Manual



The lightning flash with arrowhead, within an equilateral triangle, is intended to alert the user to the presence of uninsulated “dangerous voltage” within the product’s enclosure that may be of sufficient magnitude to constitute a risk of electric shock to persons.

WARNING - TO REDUCE RISK OF FIRE OR ELECTRICAL SHOCK, DO NOT EXPOSE THIS EQUIPMENT TO RAIN OR MOISTURE.

IMPORTANT SAFETY INSTRUCTIONS!

PLEASE READ THEM BEFORE OPERATING THIS EQUIPMENT.

1. Read these instructions.
2. Keep these instructions.
3. Heed all warnings.
4. Follow all instructions.
5. Do not use this apparatus near water.
6. Clean only with a dry cloth.
7. Do not block any ventilation openings. Install in accordance with the manufacturer’s instructions.
8. Do not install near any heat sources such as radiators, heat registers, stoves, or other apparatus (including amplifiers) that produce heat.
9. Do not defeat the safety purpose of the polarized or grounding-type plug. A polarized plug has two blades with one wider than the other. A grounding type plug has two blades and a



AVIS RISQUE DE CHOC ELECTRIQUE - NE PAS OUVRIR.

NO USER-SERVICEABLE PARTS INSIDE. REFER SERVICING TO QUALIFIED PERSONNEL.

third grounding prong. The wide blade or the third prong are provided for your safety. If the provided plug does not fit into your outlet, consult an electrician for replacement of the obsolete outlet.

10. Protect the power cord from being walked on or pinched particularly at plugs, convenience receptacles, and the point where they exit from the apparatus.
11. Only use attachments/accessories specified by the manufacturer.
12. Use only with the cart, stand, tripod, bracket, or table specified by the manufacturer, or sold with the apparatus. When a cart is used, use caution when moving the cart/apparatus combination to avoid injury from tip-over.
13. Unplug this apparatus during lightning storms or when unused for long periods of time.
14. Refer all servicing to qualified service personnel. Servicing is required when the apparatus has been damaged in any way, such as power-



The exclamation point within an equilateral triangle is intended to alert the user to the presence of important operating and maintenance (servicing) instructions in the literature accompanying the appliance.

To prevent the risk of electric shock, do not remove cover or back. No user-serviceable parts inside.

supply cord or plug is damaged, liquid has been spilled or objects have fallen into the apparatus, the apparatus has been exposed to rain or moisture, does not operate normally, or has been dropped.

15. Do not expose this equipment to dripping or splashing and ensure that no objects filled with liquids, such as vases, are placed on the equipment.
16. To completely disconnect this equipment from the a.c. mains, disconnect the power supply cord plug from the a.c. receptacle.
17. The mains plug of the power supply cord shall remain readily operable.
18. Do not expose batteries to excessive heat such as sunshine, fire or the like.
19. Connect mains power supply cord only to a mains socket outlet with a protective earthing connection.
20. **Warning: The Ethernet connector of this equipment must not be directly connected to a public network. Connection is to be made only by way of a modem or router approved for this purpose.**

FCC INFORMATION (For US Customers)

a) User Information acc. to FCC15.21 as following:
Changes or modifications not expressly approved by the party responsible for compliance could void the user’s authority to operate the equipment.

b) Statement for Class B digital device acc. to FCC 15.105 as following:

NOTE: This equipment has been tested and found to comply with the limits for a Class A/B digital device, pursuant to part 15 of the FCC Rules. These limits are designed to provide reasonable protection against harmful interference in a residential installation. This equipment generates, uses and can radiate radio frequency energy and, if not installed and used in accordance with the instructions, may cause harmful interference to radio communications. However, there is no guarantee that interference will not occur in a particular installation. If this equipment does cause harmful interference to radio or television reception, which can be determined by turning the equipment off and on, the user is encouraged to try to correct the interference by one or more of the following measures:




- Reorient or relocate the receiving antenna.
- Increase the separation between the equipment and receiver.
- Connect the equipment into an outlet on a circuit different from that to which the receiver is connected.
- Consult the dealer or an experienced radio/ TV technician for help.

The device must be kept more than 20 cm from all persons.

Trademark and License Information

The McIntosh McAire incorporates copyright protected technology that is protected by U.S. patents and

other intellectual property rights. The McAire uses the following Technologies:

Trademark Logo	License Information
	<p>AirPlay®, the AirPlay logo, iPhone®, iPod®, iPod classic®, iPod nano®, iPod shuffle®, iPod touch® and iPad® are trademarks of Apple Inc., registered in the U.S. and other countries.</p>
	<p>“Made for iPod” and “Made for iPhone” mean that an electronic accessory has been designed to connect specifically to iPod or iPhone, respectively, and has been certified by the developer to meet Apple performance standards. Apple is not responsible for the operation of this device or its compliance with safety and regulatory standards. Please note that the use of this accessory with iPod, or iPhone, may affect wireless performance. AirPlay, the AirPlay logo, iPad, iPhone, iPod, iPod classic, iPod nano, iPod shuffle and iPod touch are trademarks of Apple Inc., registered in the U.S. and other countries.</p> <p>•Individual users are permitted to use iPhone, iPod, iPod classic, iPod nano, iPod shuffle, and iPod touch for private copy and playback of non-copyrighted contents and contents whose copy and playback is permitted by law. Copyright infringement is prohibited by law.</p>
	<p>The Wi-Fi CERTIFIED Logo is a certification mark of the Wi-Fi Alliance.</p>



Thank You

Your decision to own this McIntosh McAire Integrated Audio System ranks you at the very top among discriminating music listeners. You now have “The Best.” The McIntosh dedication to “Quality,” is assurance that you will receive many years of musical enjoyment from this unit.

Please take a short time to read the information in this manual. We want you to be as familiar as possible with all the features and functions of your new McIntosh.

Please Take A Moment

The serial number, purchase date and McIntosh Dealer name are important to you for possible insurance claim or future service. The spaces below have been provided for you to record that information:

Serial Number: _____

Purchase Date: _____

Dealer Name: _____

Technical Assistance

If at any time you have questions about your McIntosh product, contact your McIntosh Dealer who is familiar with your McIntosh equipment and any other brands that may be part of your system. If you or your Dealer wish additional help concerning a suspected problem, you can receive technical assistance for all McIntosh products at:

McIntosh Laboratory, Inc.
2 Chambers Street
Binghamton, New York 13903
Phone: 607-723-3512
Fax: 607-724-0549

Customer Service

If it is determined that your McIntosh product is in need of repair, you can return it to your Dealer. You can also return it to the McIntosh Laboratory Service Department. For assistance on factory repair return procedure, contact the McIntosh Service Department at:

McIntosh Laboratory, Inc.
2 Chambers Street
Binghamton, New York 13903
Phone: 607-723-3515
Fax: 607-723-1917

Table of Contents

Safety Instructions.....	2
Trademarks and License Information.....	3
Thank You and Please Take a Moment.....	4
Technical Assistance and Customer Service	4
Table of Contents	4
General Information	5
Connector and Cable Information	5
Introduction.....	5
Performance Features	5
Dimensions	6-7
Installation	8
Rear Panel Connections.....	9
Connections	
Connecting the McAire	10-11
Remote Control	
Remote Control Push-buttons.....	12
How to use the Remote Control.....	13
Front Panel Functions	
Front Panel Displays, Controls, and Push-button.....	14

Setup Mode

How to Setup the McAire for AirPlay and a Network Connection	15-19
---	-------


Operation

How to Operate the McAire.....	20-21
--------------------------------	-------

Additional Information

Specifications.....	22
Packing Instructions	23

General Information

1. For additional connection information, refer to the owner's manual(s) for any component(s) connected to the McAire Integrated Audio System.
2. The Main AC Power going to the McAire should not be applied until instructed to do so. Failure to do so could result in malfunctioning of normal operations. When the McAire and other McIntosh Components are in their Standby Power Off Mode, the Microprocessor's Circuitry inside each component is active and communication is occurring between them.
3. Sound Intensity is measured in units called Decibels and "dB" is the abbreviation.
4. When discarding the unit, comply with local rules or regulations. Batteries should never be thrown away or incinerated but disposed of in accordance with the local regulations concerning battery disposal. 
5. Periodically, check the McIntosh Web Site at www.mcintoshlabs.com for the latest information on the McAire and other McIntosh Products.
6. The Remote Control Supplied with the McAire Integrated Audio System is capable of operating other McIntosh Components thru the Data Port.
7. The McAire is compatible with the following Apple Mobile Devices with the latest version of the Apple OS Software installed:

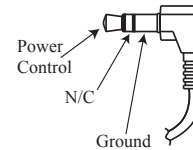
AirPlay Connection or USB Connection
iPod touch (4th generation)
iPod touch (3rd generation)
iPhone 4S
iPhone 4
iPhone 3GS

AirPlay Connection only	USB Connection only
iPad	iPod classic
iPad 2	iPod nano (6th generation)
iPad New	iPod nano (5th generation)

Connector and Cable Information

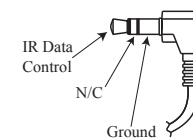
Power Control Connector

The McAire Power Control Output Jack sends a Power On/Off Signal (12V) when connected to other McIntosh Components. A 1/8 inch stereo mini phone plug is used for connection to the Power Control Output on the McAire.



Data Output

The McAire Data Out sends Remote Control Signals to McIntosh Source Components. A 1/8 inch stereo mini phone plug is used for connection.



Introduction

Now you can take advantage of traditional McIntosh standards of excellence in the McAire Integrated Audio System.

The McAire provides superior spaciousness sound reproduction with unusual sound stage depth. The McIntosh Sound is "The Sound of the Music Itself."

Performance Features

• Illuminated Output Level Meters

The Illuminated Peak Responding Output Level Meters on the McAire are calibrated in Decibels and respond to 95% of a full scale reading to a single cycle tone burst at 2,000 Hz signal.

• AirPlay®

Listen to music from an iPod or iPhone thru wireless or wired home networks.

• Amplifier with Multiple Inputs

The McAire accommodates Multiple Inputs. This includes a (Wireless [AirPlay] or Wired) Network Device, a mobile device with an USB Cable Connection or an Analog Source Component. The Amplifier uses noiseless and reliable Electronic Input Switching and is designed to drive the built-in McIntosh Loudspeakers to a high level of performance.

• Power Control and Data Port

The Power Control Output connection provides convenient Turn-On/Off of McIntosh Source Components. The Data Port allows for basic control of McIntosh Source Components.

• Remote Control

The Custom Designed Remote Control provides control of McAire Functions and basic control of Source Components connected to the McAire System.

• Integrated Loudspeaker Design

The McAire Integrated Loudspeaker Design incorporates separate Woofers, Midranges, Tweeters and Crossover Networks in a custom designed enclosure. The Loudspeaker Drivers together with built-in passive and active DSP Equalization achieves a level of sonic performance usually associated with a much larger component.

• Fiber Optic Solid State Front Panel Illumination

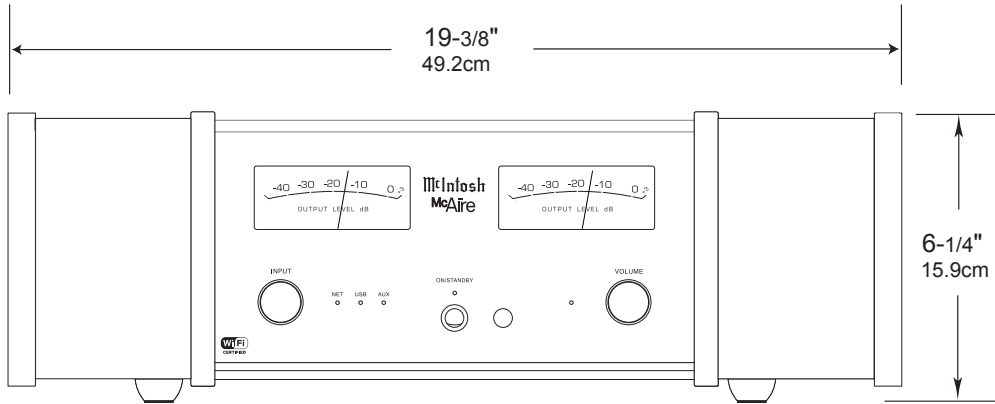
The even illumination of the glass Front Panel is accomplished by the combination of custom designed Fiber Optic Light Diffusers and extra long life Light Emitting Diodes (LEDs).



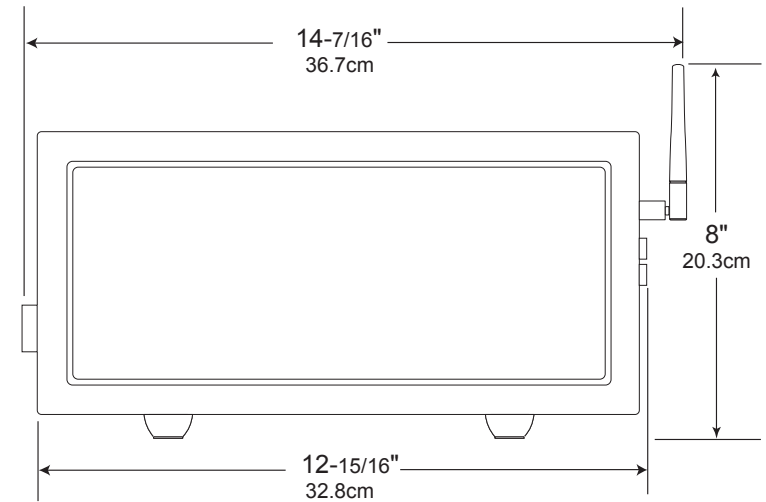
Dimensions

The following dimensions can assist in determining the best location for your McAire.

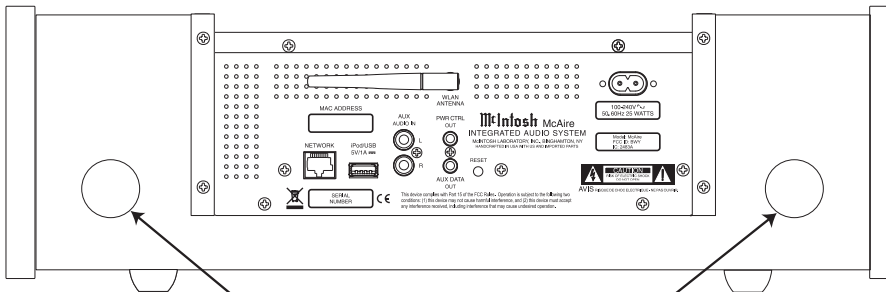
Front View of the McAire



Side View of the McAire



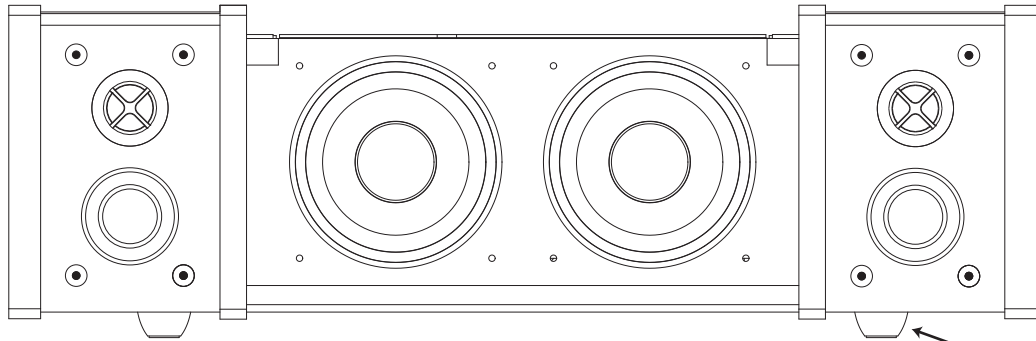
Rear View of the McAire



Secondary Low Frequency Acoustic Openings

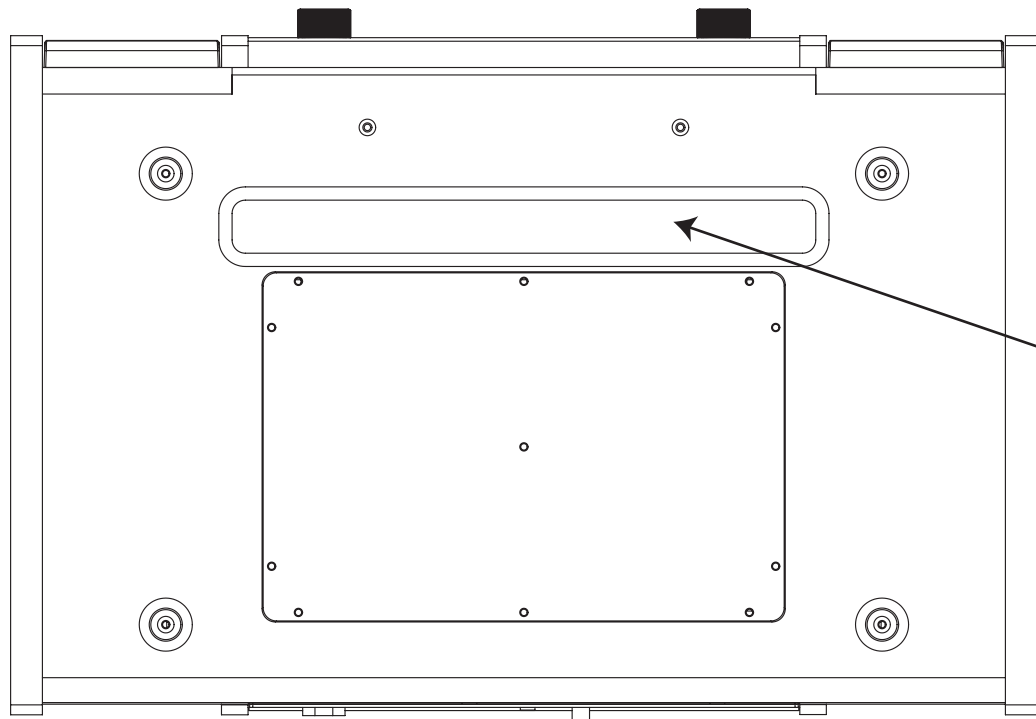
Note: For proper Low Frequency Performance do not block the Acoustic Opening.

Front and Inside View of the McAire with the Loudspeaker Grilles removed and the internal Woofers shown



Foot

Bottom View of the McAire



**Primary Low Frequency
Acoustic Opening**

Note: For proper Low Frequency Performance do not block the Acoustic Opening, remove or change the four feet on the bottom of the McAire.

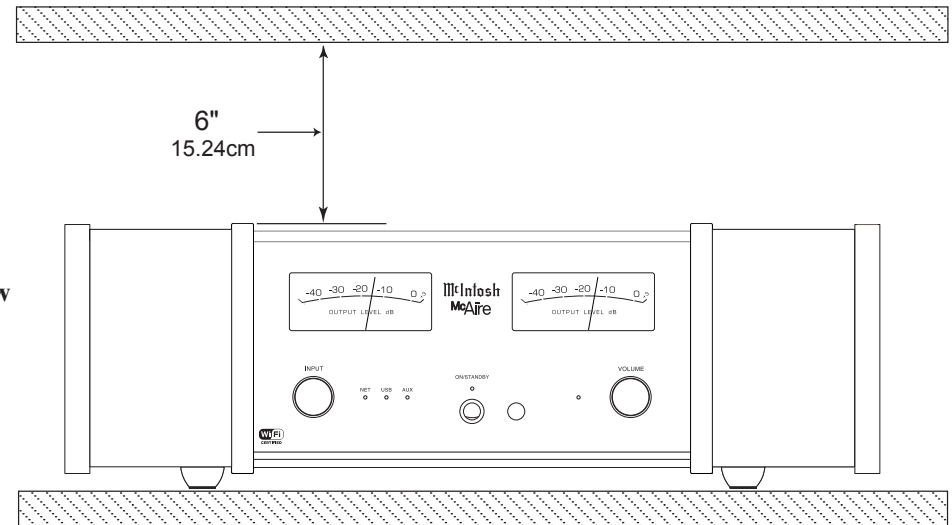
Installation

The McAire is designed to be placed upright on a table or shelf with a reflective surface. For proper Low Frequency performance do not block the Acoustic Opening, remove or change the four feet on the bottom of the McAire. Refer to the illustration on the previous page for additional information. The ventilation requirements are as illustrated on this page.

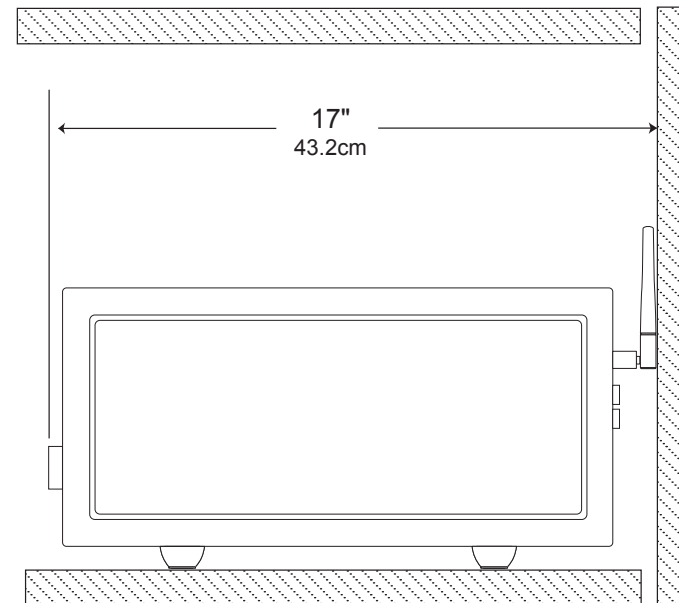
Always provide adequate ventilation for your McAire. Cool operation ensures the longest possible operating life for any electronic instrument. Do not install the McAire directly above a heat generating device. Allow at least 6 inches (15.24cm) above the top, 7/16 inches (1.11cm) below the bottom, 1 inch (2.54cm) on each side of the McAire so that airflow is not obstructed.

Also allow 17 inches (43.18cm) of depth so that airflow is not obstructed and proper Low Frequency performance is achieved.

McAire Front View



McAire Side View

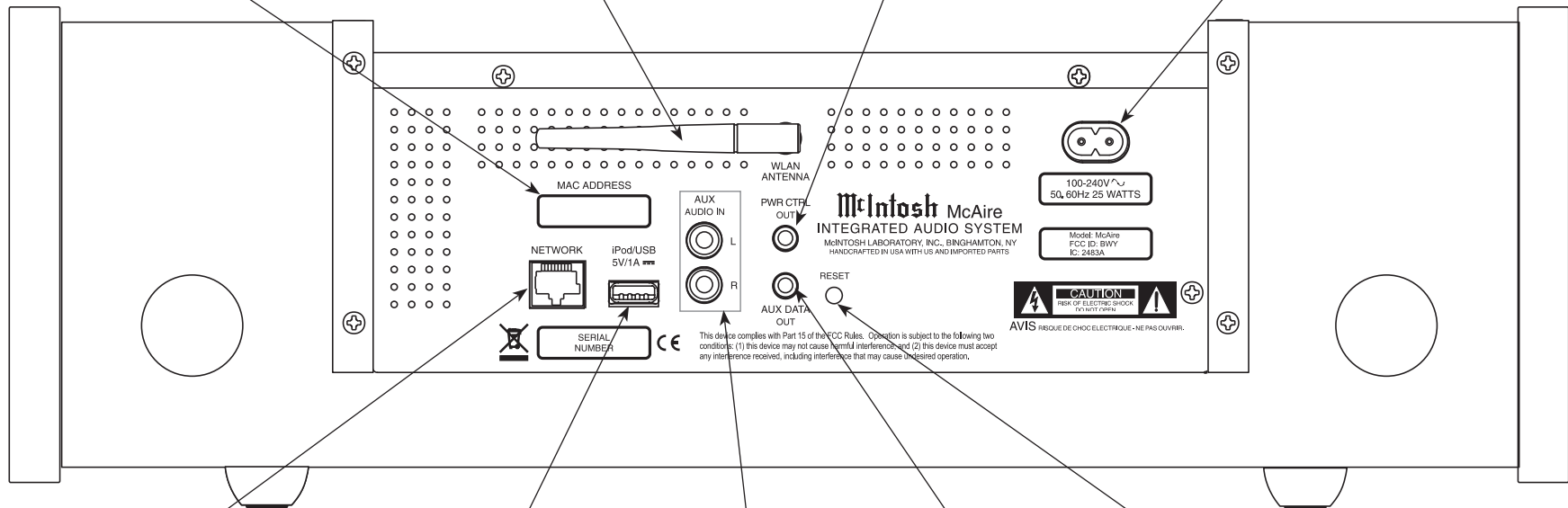


WLAN (Wireless Local Area Network) ANTENNA
for receiving AirPlay and WiFi signals

Connect the McAire power cord to a live AC
outlet. Refer to information on the back panel of
your McAire to determine the correct voltage for
your unit

MAC ADDRESS is the unique Network
Identification Number for this McAire unit

PWR CTRL (Power Control) OUTput sends
a turn-on signal to a McIntosh Component
when the McAire is On



NETWORK Connector for connecting the
McAire to a Broadband Ethernet Network

iPOD/USB input for wired connection
to an iPod or iPhone mobile device

AUX AUDIO Input accepts high
level program source signals

AUX DATA OUT sends control signals to a compatible
source component allowing remote control operation

RESET restores the McAire
to factory default settings

Connecting the Antenna

For proper wireless connectivity with the Wireless Network Router, it is important install the supplied WiFi Signal Antenna to the McAire. Follow the steps below:

1. Locate the supplied WiFi Antenna, AC Cord and Remote Control in the Accessory Pack Sleeves from the McAire inner carton. Refer to page 23 in this Owner's Manual.
2. Referring to figure A, carefully line up the machine threads of the WLAN Connector, located on the Rear Panel of the McAire, with the knurled end of the WiFi Antenna internal machine threads.
3. Slowly rotate the knurled end of the Antenna clockwise onto the WLAN Connector (if you feel any resistance stop and remove the Antenna and repeat step 2). Finger tighten until it feels snug (about 4 turns).
4. Refer to figure B, grasp the Antenna at the hinge point and rotate the Antenna to a vertical position.

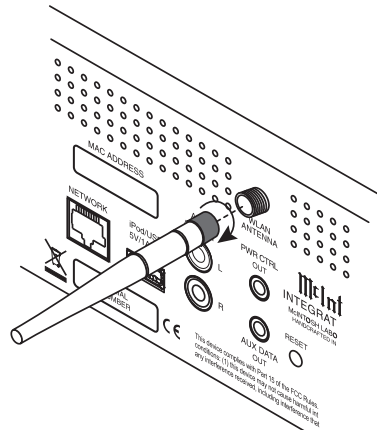


Figure A

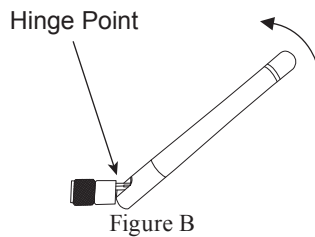


Figure B

Note: When rotating the Antenna it is advisable to go in a clockwise direction.

5. Proceed to "Connecting the McAire".

Connecting the McAire

Caution: The supplied AC Power Cord should not be connected to the Rear Panel of the McAire Integrated Audio System until instructed to do so.

McAire's built-in WiFi (wireless connectivity) provides fast access to your music stored on a compatible Apple Mobile Device via Apple's AirPlay Technology.

Note: The McAire requires use of a Network Wireless Router for Apple's AirPlay Operation.

The McAire also provides for a direct wired connection to compatible Apple's Mobile Devices via the USB Input. A computer attached via a Network Router (as part of a home network) to the McAire Rear Panel NETWORK connector, provides streaming of music via the iTunes Program¹. A Stereo Analog Input is also located on the Rear Panel of the McAire allowing connection of source components such as Tuners and Disc Players. Associated with the Stereo Analog Input is McIntosh's Power Control and Data Port Connections. They provide the ability to automatically switch power On/Off to a McIntosh Source Component and to control the basic operation of component function via the supplied McAire Remote Control.

These connection instructions together with the Connection Diagram on the next page is an example of optional connections to the McAire Audio System. Your McAire connections may vary from this, however the actual components would be connected in a similar manner. For additional information refer to "Connector and Cable Information" on page 5.

¹ The iTunes Program for use on a PC Computer or Macintosh Computer is available for download from the Apple Web Site at <http://www.apple.com>.

Wired Connection for Apple Mobile Device:

1. Using the Apple Dock Connector to USB Cable supplied with Apple iPod or iPhone, attach the Dock Connector to the bottom of the mobile device and connect the USB Plug in the iPod/USB input on the Rear Panel of the McAire.

Network Connections:

2. Using a CAT 5/6 Ethernet Cable, connect the cable from the Router to the NETWORK connector on the Rear Panel of the McAire.
3. Optionally, Connect another CAT 5/6 Ethernet Cable from the Computer (Network Connector) to the Router.

Note: For additional information on Networks and Network Connections refer to the documentation supplied with the Router and Computer.

Optional Component Connections:

4. Connect a Control Cable from the Tuner (or Disc Player) Control Out jack to the McAire PWR CTRL (Power Control) OUT Jack.
5. Connect a Control Cable from the McAire AUX DATA OUT Jack to the Tuner (or Disc Player) Data In jack.
6. Connect an Audio Cable from the McAire AUX AUDIO IN Jacks to the Tuner (or Disc Player) Fixed Audio Output Unbalanced Jacks.

AC Power Cords Connections:

7. Connect the optional components' AC Power Cord to a live AC outlet as illustrated.