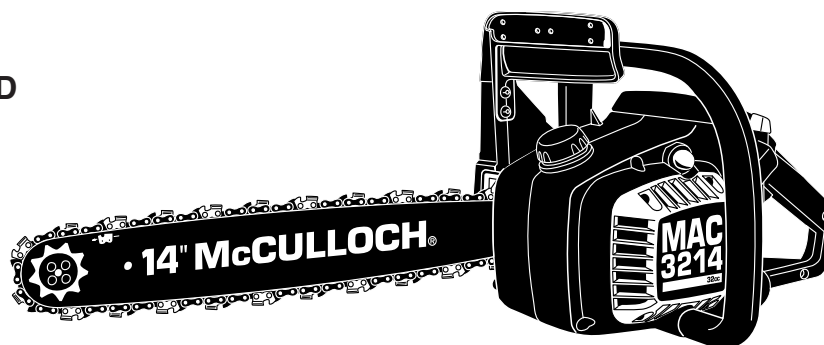


McCULLOCH®

32cc / 35cc GASOLINE POWERED CHAIN SAWS



| MODEL NAME | (+)SERIAL NUMBER PREFIX | MODEL NUMBER | BAR & CHAIN | ENGINE SIZE |
|---------------------|-------------------------|--------------|-------------|-------------|
| MS1432 | - | - | 14" | 32cc |
| MS1435 | - | - | 14" | 35cc |
| MS1635NAV | - | - | 16" | 35cc |
| EAGER BEAVER 2010 | 11- | 600032-11 | 10" | 32cc |
| EAGER BEAVER 2014 | 11- | 600032-15 | 14" | 32cc |
| EAGER BEAVER 2014 | 11- | 600032-28 | 14" | 32cc |
| EAGER BEAVER 2014 | 11- | 600032-34 | 14" | 32cc |
| EAGER BEAVER 2016 | 11- | 600032-17 | 16" | 32cc |
| EAGER BEAVER 2016 | 11- | 600032-29 | 16" | 32cc |
| MAC 3210 | 11- | 600032-03 | 10" | 32cc |
| MAC 3212 | 11-/21- | 600032-73 | 12" | 32cc |
| MAC 3214 | 11-/21-/22- | 600032-07 | 14" | 32cc |
| MAC 3214 | 11- | 600032-25 | 14" | 32cc |
| MAC 3214 | 11- | 600032-32 | 14" | 32cc |
| MAC 3214 | 11- | 600032-36 | 14" | 32cc |
| MAC 3214 | 11- | 600032-42 | 14" | 32cc |
| MAC 3214 | 11-/21-/22- | 600032-69 | 14" | 32cc |
| MAC 3214 | 11- | 600032-76 | 14" | 32cc |
| MAC 3216 | 11-/21-/22- | 600032-09 | 16" | 32cc |
| MAC 3216 | 11- | 600032-27 | 16" | 32cc |
| MAC 3216 | 11- | 600032-30 | 16" | 32cc |
| MAC 3216 | 11- | 600032-31 | 16" | 32cc |
| MAC 3216 | 11- | 600032-33 | 16" | 32cc |
| MAC 3216 | 11-/21-/22- | 600032-43 | 16" | 32cc |
| MAC 3216 | 11-/21-/22- | 600032-68 | 16" | 32cc |
| MAC 3216 | 11-/21- | 600032-77 | 16" | 32cc |
| MAC 3216 | 11-/21- | 600032-78 | 16" | 32cc |
| MAC 3216 | 11-/21- | 600032-80 | 16" | 32cc |
| MAC 3216 | 11-/21- | 600032-81 | 16" | 32cc |
| MAC 3216 | 11-/21- | 600032-82 | 16" | 32cc |
| MAC 3216 | 21-/22- | 600032-83 | 16" | 32cc |
| MAC 3516 | 21-/22- | 600035-55 | 16" | 35cc |
| MAC 3516 | 21-/22- | 600035-56 | 16" | 35cc |
| MAC 3516 | 21-/22- | 600035-58 | 16" | 35cc |
| POWERMAC 145-14 | 22- | 600032-54 | 14" | 32cc |
| POWERMAC 225-16 | 22- | 600035-60 | 16" | 35cc |
| PROMAC 3205-14 | 22- | 600032-10 | 14" | 32cc |
| SILVER EAGLE 2012 S | 11- | 600032-21 | 12" | 32cc |
| SILVER EAGLE 2012 S | 11- | 600032-59 | 12" | 32cc |
| SILVER EAGLE 2012 | 11- | 600032-70 | 12" | 32cc |
| SILVER EAGLE 2014 S | 11- | 600032-19 | 14" | 32cc |
| SILVER EAGLE 2014 | 11- | 600032-71 | 14" | 32cc |
| SILVER EAGLE 2016 S | 11- | 600032-23 | 16" | 32cc |
| SILVER EAGLE 2016 | 11- | 600032-72 | 16" | 32cc |

MARCH 2003

McCulloch products are identified by a model number (in this instance 600035) followed by a suffix number (08). Suffix numbers denote variations in parts or assemblies used in the manufacture of this product.

Illustrated Parts Lists (IPLs) contain a PART NUMBER, DESCRIPTION, UNITS per assembly and STOCKING CODE for each part.

Stocking Codes are:

- A - Dealer stocked. Fast to medium moving part.
- B - Distributor stocked. Medium to slow moving part.
- C - Factory stocked. Slow moving part.

NOTE:The following explains symbols and footnotes in this IPL:

- (-) A dash preceding a PART NUMBER indicates that it is a new part number, different from the one listed in the previous IPL for this unit.
- (.) One or more dots (. Spring, Starter) preceding a part DESCRIPTION indicates the part is included in the kit or assembly described directly above the dot(s).
- (-- --) If four dashes appear in place of a PART NUMBER, the part is not available individually but is included in the next higher assembly or subassembly.
- ①② Circled numbers preceding a DESCRIPTION footnote the part or assembly to additional information on the page.
- (*) An asterisk denotes that choices follow or precede.
- (+) Serial Number Prefix 21- or denotes CARB approved unit -- all parts are interchangeable with Serial Number Prefix 11-.

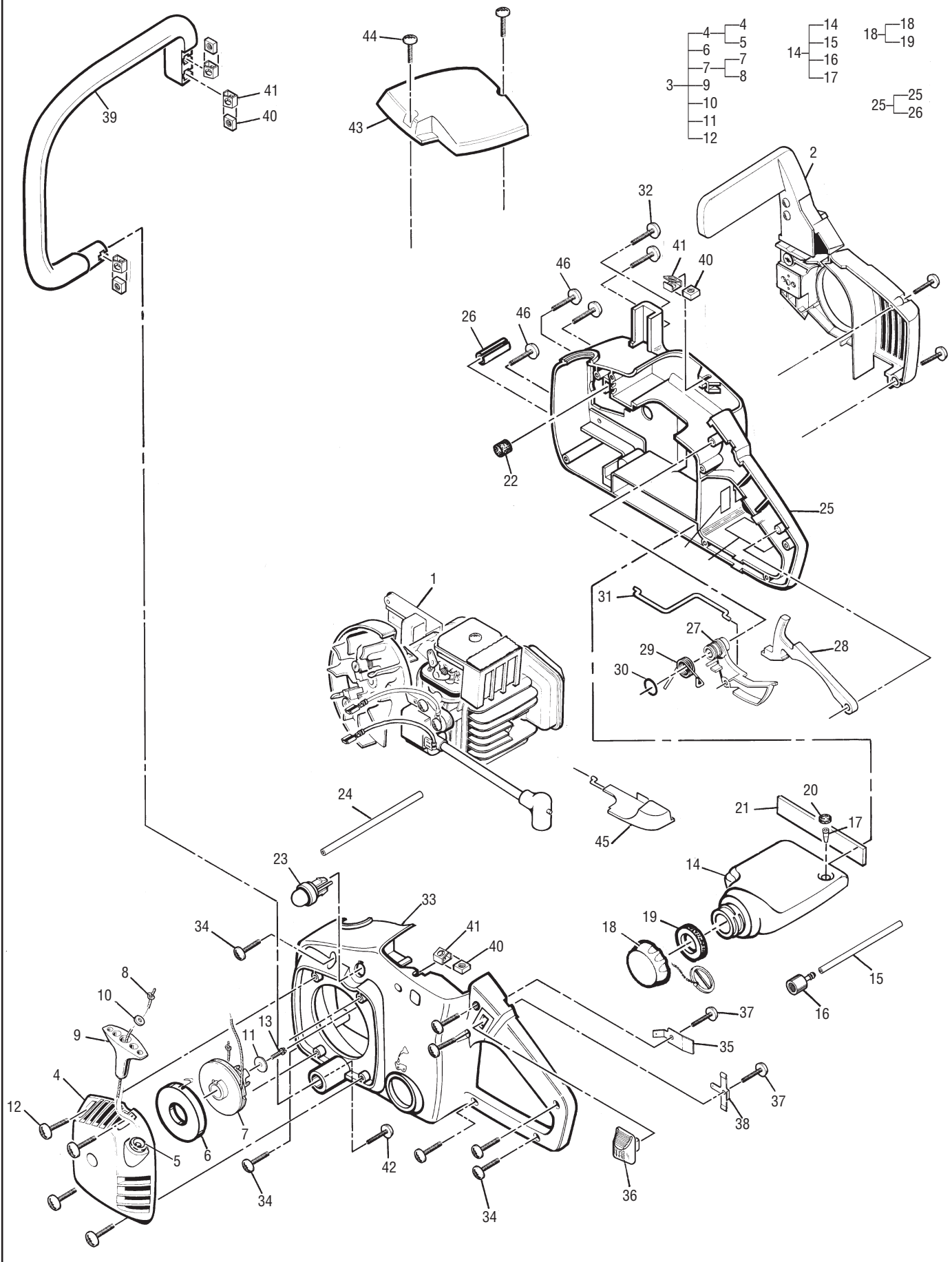
The policy of McCulloch is one of continual improvement in design, manufacturing and engineering advancement wherever possible to assure still finer power tools. Hence, specifications, equipment colors, design and manufacturer's suggested list prices are subject to change without notice. McCulloch reserves the right to make such changes without prior notification or obligation to backfit or supply backfit components for units previously shipped from the factory.

ILLUSTRATED PARTS LIST

P.O. Box 31567
Tucson, Arizona 85751-1567 • U.S.A.

FIGURE 1

GENERAL ASSEMBLY



GENERAL ASSEMBLY

FIGURE 1

| ITEM NO. | STK CODE | PART NUMBER | DESCRIPTION | UNITS PER ASY |
|----------|----------|-------------|------------------------------------|---------------|
| 1 | - | FIGURE 2 | Powerhead Asy | |
| 2 | - | FIGURE 3 | Chain Brake Asy | |
| 3 | A | 300264 | Starter Housing Asy, Yellow | 1 |
| 4 | B | 301044 | . Housing/Rope Guide Asy, Yellow | 1 |
| 5 | - | --- | .. Rope Guide | 1 |
| 6 | A | 300475 | . Spring, Starter Rewind | 1 |
| 7 | A | 301043 | . Rope/Drum Asy (32cc) | 1 |
| 8 | A | 300300 | .. Rope, Starter 50" | 1 |
| 9 | A | 87851 | . Handle, Starter | 1 |
| 10 | A | 223944 | . Bushing, Starter | 1 |
| 11 | A | 300297 | . Washer, .19 ID x .68 OD | 1 |
| 12 | A | 300294 | . Screw, 8-16 x .75 Torx Hd Plast | 1 |
| 13 | A | 300294 | Screw, 8-16 x .75 Torx Hd Plastite | 4 |
| 14 | B | 300260 | Oil Tank Asy | 1 |
| 15 | A | 300289 | . Hose, Oil Pick-up | 1 |
| 16 | A | 92465 | . Pickup, Oil | 1 |
| 17 | A | 300256 | . Valve, Duckbill | 1 |
| 18 | A | 300565 | Oil Cap Asy | 1 |
| 19 | - | --- | . Gasket | 1 |
| 20 | A | 300259 | Filter, Foam | 1 |
| 21 | B | 322195 | Spacer, Oil Tank | 1 |
| 22 | A | 300259 | Filter, Foam | 1 |
| 23 | A | 224242-02 | Primer, Remote | 1 |
| 24 | A | 300298 | Hose | 1 |
| 25 | C | 301049 | Housing/Pin Asy, Right | 1 |
| 26 | - | --- | . Pin, Roll 1/4 x 1.0 L | 1 |
| 27 | A | 224821 | Trigger, Throttle | 1 |
| 28 | B | 224822 | Latch, Throttle | 1 |

| ITEM NO. | STK CODE | PART NUMBER | DESCRIPTION | UNITS PER ASY |
|----------|----------|-------------|-----------------------------------|---------------|
| 29 | A | 224823 | Spring, Torsional | 1 |
| 30 | B | 111128 | "O" Ring | 1 |
| 31 | B | 224827 | Rod, Throttle | 1 |
| 32 | A | 111226 | Screw, 10-24 x .62 Tr Hd Torx | 2 |
| 33 | B | 323945-61 | Engine Housing, Left, Blk | 1 |
| 34 | A | 300294 | Screw, 8-16 x .75 Tr Hd, Plastite | 7 |
| 35 | C | 224845 | Contact, Ground | 1 |
| 36 | A | 68846 | Button, Stop Switch | 1 |
| 37 | A | 223357 | Screw, 8-16 Plastite | 2 |
| 38 | B | 224844 | Contact, Ignition | 1 |
| 39 | B | 224836-01 | Handle, Front | 1 |
| 40 | A | 218005 | Nut, Square 10-24 | 5 |
| 41 | A | 300292 | Retainer, Nut | 5 |
| 42 | A | 217936 | Screw, 10-24 x .75 Tr Torx | 1 |
| *43 | B | 224830 | Cover, Air Filter | 1 |
| 44 | A | 111099 | Screw, 10-24 x .625 Pn Hd Torx | 2 |
| 45 | A | 224826-01 | Slide, Choke | 1 |
| 46 | A | 111226 | Screw, 10-24 x .62 Tr Hd Torx | 4 |

ENGINE SPECIFICATIONS

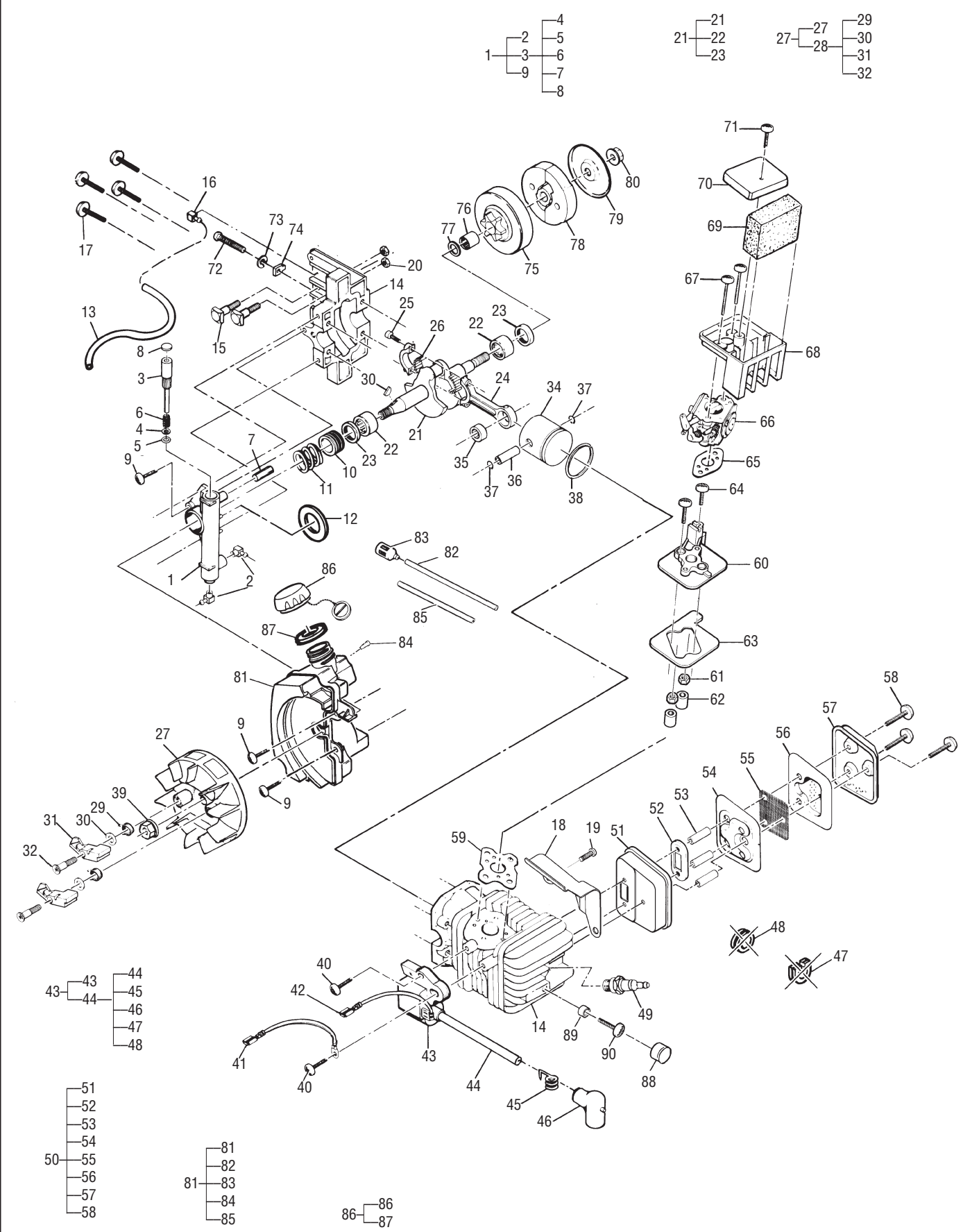
| | |
|--------------------------|--------------------------------|
| Displacement | .32cc (2.0 ci) |
| | 35cc (2.1 ci) |
| Spark Plug | .RDJ7Y |
| Spark Plug Gap | .025 in. (0.63mm) |
| Flywheel to Ignition Gap | .010-0.015 in. (0.254-0.381mm) |
| Max Power Speed | .8000 RPM |
| Idle Speed | .2800-3300 RPM |
| Clutch Engagement Speed | .3800-4000 RPM |
| Max No Load Speed | .11,000 RPM |
| Fuel Tank Capacity | .10 fl. oz |
| Oil Tank Capacity | .6.1 fl. oz |
| Starter Rope | .Nylon, 50 in. |

TORQUE SPECIFICATIONS

| DESCRIPTION | FASTENER PART NO. | FIG/ ITEM | TORQUE (IN/LBS) | LOCTITE |
|---------------------|-------------------|-----------|-----------------|---------|
| Right Hsg to C'case | 111226 | 1/32 | 40-50 | 262 |
| Oil Pump to C'case | 111226 | 2/9 | 30-40 | 262 |
| Carb Insul to Cyl | 217937 | 2/54 | 30-40 | 262 |
| Spark Plug | 322208 | 2/19 | 150 | -- |
| Flywheel Nut | 110961 | 2/31 | 180 | -- |
| Clutch Nut | 111079 | 2/69 | 180 | -- |
| Muffler Screws | 111093 | 2/49 | 50 | -- |
| Carburetor Screws | 218083 | 2/56 | 30-40 | 262 |

FIGURE 2

POWERHEAD ASSEMBLY



POWERHEAD ASSEMBLY

FIGURE 2

| ITEM NO. | STK CODE | PART NUMBER | DESCRIPTION | UNITS PER ASY | ITEM NO. | STK CODE | PART NUMBER | DESCRIPTION | UNITS PER ASY |
|----------|----------|-------------|---------------------------------|---------------|----------|----------|-------------|----------------------------------|---------------|
| 1 | A | 301304 | Oil Pump Asy | 1 | 50 | B | 301045 | Muffler Asy | 1 |
| 2 | B | 322182 | . Fitting | 2 | 51 | - | --- | . Body | 1 |
| 3 | A | 301084 | . Kit, Gear/Plunger Asy | 1 | 52 | - | --- | . Plate, Reinforcing | 1 |
| 4 | A | 110582 | .. Washer | 1 | 53 | - | --- | . Spacer | 3 |
| 5 | - | --- | .. O-Ring | 1 | 54 | - | --- | . Baffle, Inner Muffler | 1 |
| 6 | - | --- | .. Spring | 1 | 55 | B | 300286 | . Screen, Spark Arrester | 1 |
| 7 | - | --- | .. Pin, Dowel | 1 | 56 | - | --- | . Baffle, Outer | 1 |
| 8 | B | 322187 | .. Plug, Oil Pump | 1 | 57 | - | --- | . Cover, Muffler | 1 |
| 9 | A | 111226 | . Screw, 10-24 x .62 Tr Hd Torx | 2 | 58 | B | 111093 | . Screw, 10-24 x 1.75 Tr Hd Torx | 3 |
| 10 | A | 224814 | Worm Gear | 1 | 59 | A | 300265 | □ Gasket, Insulator | 1 |
| 11 | A | 224840 | Spring, Compression | 1 | 60 | A | 224820 | Insulator, Carburetor | 1 |
| 12 | A | 300295 | □ Seal, Foam, Oil Pump | 1 | 61 | A | 218315 | Nut, Hx 10-24 | 2 |
| 13 | A | 300288 | Connecting Hose | 1 | 62 | A | 322188 | Spacer, Rubber | 2 |
| 14 | A | 301284 | ⊙□ Short Block Asy | 1 | 63 | A | 224850 | Seal, Foam | 1 |
| 15 | A | 83856-01 | □ Bolt, Bar | 2 | 64 | B | 217937 | Screw, Tr 10-24 x 1.00 Torx | 2 |
| 16 | B | 300257 | □ Fitting | 1 | 65 | A | 300293 | □ Gasket, Carburetor | 1 |
| 17 | A | 111083 | □ Screw, 12-24 x 1.0 Hx Wshr Hd | 4 | 66 | - | FIGURE 4 | Carburetor/Choke Asy | 1 |
| 18 | C | 323923 | □ Baffle, Air | 1 | 67 | A | 218083 | Screw, Tr 10-24 x 2.0 Torx | 2 |
| 19 | A | 111054-00 | □ Screw, 10-24x.625 | 1 | 68 | C | 224824 | Box, Air Filter | 1 |
| 20 | A | 110676 | Nut, Hx 1/4-28 Flange | 2 | 69 | A | 224831 | Filter, Air | 1 |
| 21 | - | --- | Crankshaft/Bearing Asy | 1 | 70 | B | 224825 | Shield, Carburetor | 1 |
| 22 | A | 213282 | . Bearing, C'shaft | 2 | 71 | A | 111055 | Screw, 10-14 x .625 Plastite | 1 |
| 23 | A | 83859 | . Seal, C'shaft Oil | 2 | 72 | A | 268656-33 | Gas Bar Adj Screw Nut & Ring | 1 |
| 24 | - | --- | ⊙□ Connecting Rod/Bearing | 1 | 73 | - | --- | . Ring, Retaining | 1 |
| 25 | - | --- | □ Screw, Conn Rod | 2 | 74 | - | --- | . Nut, Bar Adjusting | 1 |
| 26 | - | --- | □ Set, Roller Pins | 1 | 75 | A | 302768 | Drum/Sprocket/Bearing Asy | 1 |
| 27 | B | 302220 | Flywheel/Pawl Asy | 1 | 76 | A | 91117 | . Bearing | 1 |
| 28 | A | 300763-01 | . Kit, Flywheel Pawls | 2 | 77 | B | 215259 | Washer, Sprocket | 1 |
| 29 | A | 216982 | .. Spring, Starter Pawl | 2 | 78 | A | 301463 | Kit, Clutch Asy | 1 |
| 30 | C | 111131 | .. Washer, Sp .469 OD x .222 ID | 2 | 79 | B | 300276 | Plate, Dust | 1 |
| 31 | - | --- | .. Pawls | 2 | 80 | A | 111079 | Nut, Clutch, 5/16-24 LH | 1 |
| 32 | A | 322721 | .. Pin, Starter Pawl | 2 | 81 | A | 301834 | Fuel Tank Asy | 1 |
| 33 | A | 102164 | Key, Flywheel | 1 | 82 | A | 300289 | . Hose, Fuel Pickup | 1 |
| 34 | - | --- | ⊙□ Piston | 1 | 83 | A | 216985 | . Filter, Fuel | 1 |
| 35 | - | --- | □ Bearing, Needle-Drawn Cup | 1 | 84 | A | 322199 | . Valve, Duckbill | 1 |
| 36 | - | --- | □ Pin, Piston | 1 | 85 | A | 300290 | . Hose, Primer Retain | 1 |
| 37 | - | --- | □ Ring, Snap | 2 | 86 | A | 300564 | Cap, Fuel Asy | 1 |
| 38 | - | --- | □ Piston, Ring | 1 | 87 | - | --- | . Gasket, Fuel Cap | 1 |
| 39 | A | 110961 | Nut, Hx 5/16-24 | 1 | 88 | C | 322200 | Cover Cylinder | 1 |
| 40 | A | 217936 | Screw, Tr 10-24 x .75 Torx | 2 | 89 | C | 322201 | Cover, Spacer | 1 |
| 41 | B | 300555 | Wire Asy, Ground | 1 | 90 | A | 217936 | Screw, 10-24x.75 Tr Torx | 1 |
| 42 | B | 300556 | Wire Asy, Stop Switch | 1 | | | | | |
| 43 | A | 302138 | Ignition Asy | 1 | | | | | |
| 44 | A | 223884 | . Kit, Plug Wire | 1 | | | | | |
| 45 | A | 102556 | .. Connector | 1 | | | | | |
| 46 | A | 95266 | .. Boot | 1 | | | | | |
| 47 | B | 110995 | ⊙ .. Grommet | 1 | | | | | |
| 48 | B | 215533-01 | ⊙ .. Grommet | 1 | | | | | |
| 49 | A | 322208 | □ Spark Plug RDJ7Y | 1 | | | | | |

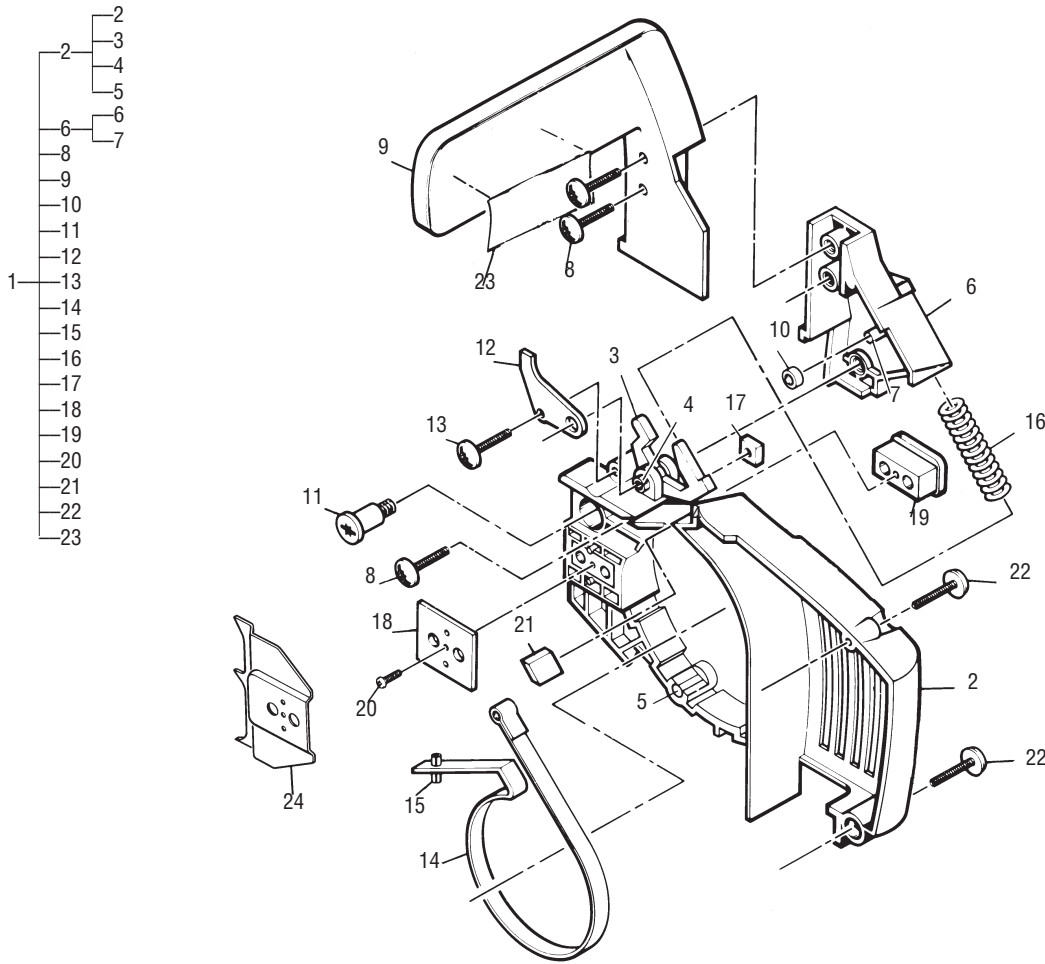
⊙ 32cc piston and cylinder are no longer available; for replacement parts the 38cc Shortblock Asy, PN 301284, must be used

□ Contents of 38cc Shortblock Asy, PN 301284

⊙ Not used on these models

FIGURE 3

CHAIN BRAKE ASSEMBLY



| ITEM NO. | STK CODE | PART NUMBER | DESCRIPTION | UNITS PER ASY |
|----------|----------|-------------|------------------------------------|---------------|
| 1 | C | 301558 | Brake Kit Asy, Yellow | 1 |
| 2 | C | 301559 | . Housing Kit Asy, Yellow | 1 |
| 3 | C | 216755 | .. Latch, Chain Brake | 1 |
| 4 | - | --- | .. Dowel, Spring | 2 |
| 5 | - | --- | .. Pin, Dowel | 2 |
| 6 | B | 301038 | . Lever, Brake Asy | 1 |
| 7 | - | --- | .. Pin, Dowel | 1 |
| 8 | A | 111226 | . Screw, 10-24 x .62 Tr Hd Torx | 3 |
| 9 | A | 323082 | . Guard, Hand | 1 |
| 10 | B | 224849 | . Roller | 1 |
| 11 | B | 224847 | . Screw, Shoulder | 1 |
| 12 | B | 224848 | . Stop, Brake | 1 |
| 13 | A | 300294 | . Screw, 8-16 x .75 Tr Hd Plastite | 1 |
| 14 | A | 301037 | . Band, Brake | 1 |
| 15 | - | --- | .. Pin, Spring (.125 x .50) | 1 |
| 16 | A | 322204 | . Spring, Compression | 1 |
| 17 | A | 218005 | . Nut, Square 10-24 | 1 |

| ITEM NO. | STK CODE | PART NUMBER | DESCRIPTION | UNITS PER ASY |
|----------|----------|-------------|------------------------------------|---------------|
| 18 | B | 300275 | . Shield | 1 |
| 19 | B | 300271 | . Spacer, Bar Pad | 1 |
| 20 | C | 111101 | . Screw, 4-40 x 5/16 Taptite | 1 |
| 21 | A | 322194 | . Seal, Foam | 1 |
| 22 | A | 300299 | . Screw, 8-16 x 1.0 Tr Hd Plastite | 2 |
| 23 | B | 46703-41 | . Label, Safety | 1 |
| 24 | B | 322181 | Ⓜ Spike, Bucking | 1 |

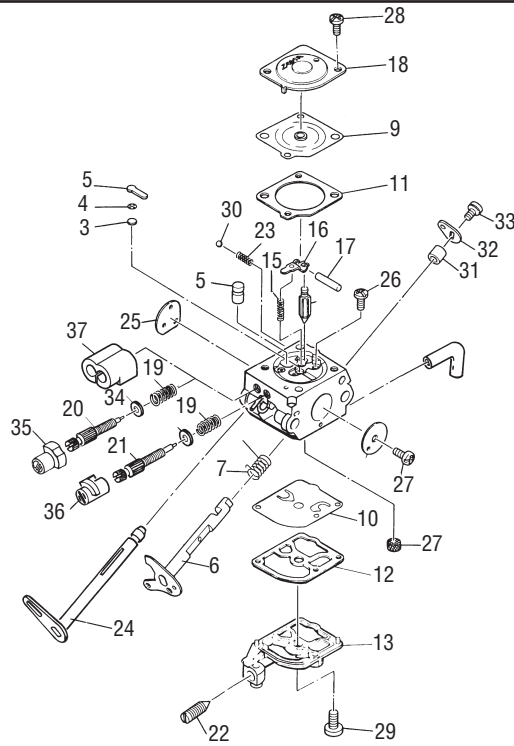
* Choose appropriate color
 Ⓜ Optional accessory

BAR AND CHAIN INFORMATION

| BAR AND CHAIN SIZE | BAR PART NUMBER | CHAIN PART NUMBER | CHAIN SPECIFICATIONS | SERVICE TOOLS | |
|--------------------|-----------------|-------------------|----------------------|---------------------|-----------------------|
| | | | | FILE AND GUIDE PN | FILE PN (Description) |
| 10" | 214233-33 | 214923-33 | MPG370GLX38cl | 301992-33 (5/32) | 214217-33 (5/32) |
| 12" | 214234-33 | 214921-33 | MPG370GLX44cl | | |
| 14" | 214235-33 | 214919-33 | MPG370GLX49cl | | |
| 16" | 214236-33 | 214925-33 | MPG370GLX54cl | | |

FIGURE 4

CARBURETOR ASSEMBLY



| ITEM NO. | STK CODE | PART NUMBER | DESCRIPTION | UNITS PER ASY |
|----------|-------------------------------------------------------------------------|-------------------------------------------|-------------------------------|---------------|
| | B | 323653-03 | ③ Carburetor, Zama CU1M28C | |
| | B | 324947-01 | ④ Carburetor, Zama C1QM36 | |
| 1 | --- | --- | ① . Strainer | 1 |
| 2 | --- | --- | ① . Plug, Welch | 1 |
| 3 | --- | --- | . Valve, Check | 1 |
| 4 | --- | --- | . Retainer, Check Valve | 1 |
| 5 | --- | --- | . Nozzle Asy, Check Valve | 1 |
| 6 | --- | --- | . Shaft Asy, Throttle | 1 |
| 7 | --- | --- | . Spring, Throttle Return | 1 |
| 8 | --- | --- | . Valve, Throttle | 1 |
| 9 | --- | --- | ①□ . Diaphragm Asy, Metering | 1 |
| 10 | --- | --- | ①□ . Diaphragm, Pump | 1 |
| 11 | --- | --- | ①□ . Gasket, Metering Chamber | 1 |
| 12 | --- | --- | ①□ . Gasket, Pump | 1 |
| 13 | --- | --- | . Cover, Pump | 1 |
| 14 | --- | --- | ① . Valve, Inlet Needle | 1 |
| 15 | --- | --- | ① . Spring, Metering Lever | 1 |
| 16 | --- | --- | ① . Lever, Metering | 1 |
| 17 | --- | --- | ① . Pin | 1 |
| 18 | --- | --- | . Cover, Metering Chamber | 1 |
| 19 | --- | --- | . Spring, Adjust Screw | 2 |
| 20 | --- | --- | . Screw, Main Mixture | 1 |
| 21 | --- | --- | . Screw, Idle Mixture | 1 |
| 22 | --- | --- | . Screw, Throttle Adjust | 1 |
| 23 | --- | --- | . Spring, Friction | 4 |
| 24 | --- | --- | . Shaft Asy, Choke | 1 |
| 25 | --- | --- | . Valve, Choke | 1 |
| 26 | --- | --- | . Screw, Pin | 1 |
| 27 | --- | --- | . Screw, Throttle/Choke Valve | 1 |
| 28 | --- | --- | . Screw, Metering Chamber | 2 |
| 29 | --- | --- | . Screw, Pump Cover | 1 |
| 30 | --- | --- | . Ball, Steel | 1 |
| 31 | --- | --- | . Collar | 1 |
| 32 | --- | --- | . Lever, Throttle | 1 |
| 33 | --- | --- | . Screw, Throttle Lever | 1 |
| 34 | --- | --- | . Washer, Limiter | 2 |
| 35 | B | 111216 | . Cap, Limiter, Hi | 1 |
| 36 | B | 111217 | . Cap, Limiter, Lo | 1 |
| 37 | --- | --- | . Retainer, Limiter | 1 |
| ① | 301041 | Kit, Carburetor Repair RB-39 (Stk Code A) | | |
| □ | 301042 | Kit, Gasket/Diaphragm GND-35 (Stk Code A) | | |
| ③ | Can be used on 32/35cc models with serial number prefixes 11-, 21- | | | |
| ④ | Can be used on 32/35cc models with serial number prefixes 11-, 21-, 22- | | | |

| ITEM NO. | STK CODE | PART NUMBER | DESCRIPTION | UNITS PER ASY |
|----------|--------------------------------------------------------------------|---------------------------------------------|-------------------------------|---------------|
| - | B | 323653-04 | ③ Carburetor, Walbro WT 438 | |
| 1 | --- | --- | ① . Strainer | 1 |
| 2 | --- | --- | ① . Plug, Welch | 1 |
| 3 | --- | --- | . Valve, Check | 1 |
| 4 | --- | --- | . Retainer, Check Valve | 1 |
| 5 | --- | --- | . Nozzle Asy, Check Valve | 1 |
| 6 | --- | --- | . Shaft Asy, Throttle | 1 |
| 7 | --- | --- | . Spring, Throttle Return | 1 |
| 8 | --- | --- | . Valve, Throttle | 1 |
| 9 | --- | --- | ①□ . Diaphragm Asy, Metering | 1 |
| 10 | --- | --- | ①□ . Diaphragm, Pump | 1 |
| 11 | --- | --- | ①□ . Gasket, Metering Chamber | 1 |
| 12 | --- | --- | ①□ . Gasket, Pump | 1 |
| 13 | --- | --- | . Cover, Pump | 1 |
| 14 | --- | --- | ① . Valve, Inlet Needle | 1 |
| 15 | --- | --- | ① . Spring, Metering Lever | 1 |
| 16 | --- | --- | ① . Lever, Metering | 1 |
| 17 | --- | --- | ① . Pin | 1 |
| 18 | --- | --- | . Cover, Metering Chamber | 1 |
| 19 | --- | --- | . Spring, Adjust Screw | 2 |
| 20 | --- | --- | . Screw, Main Mixture | 1 |
| 21 | --- | --- | . Screw, Idle Mixture | 1 |
| 22 | --- | --- | . Screw, Throttle Adjust | 1 |
| 23 | --- | --- | . Spring, Friction | 4 |
| 24 | --- | --- | . Shaft Asy, Choke | 1 |
| 25 | --- | --- | . Valve, Choke | 1 |
| 26 | --- | --- | . Screw, Pin | 1 |
| 27 | --- | --- | . Screw, Throttle/Choke Valve | 1 |
| 28 | --- | --- | . Screw, Metering Chamber | 2 |
| 29 | --- | --- | . Screw, Pump Cover | 1 |
| 30 | --- | --- | . Ball, Steel | 1 |
| 31 | --- | --- | . Collar | 1 |
| 32 | --- | --- | . Lever, Throttle | 1 |
| 33 | --- | --- | . Screw, Throttle Lever | 1 |
| 34 | --- | --- | . Washer, Limiter | 2 |
| 35 | B | 325465 | . Cap, Limiter, Hi | 1 |
| 36 | B | 325466 | . Cap, Limiter, Lo | 1 |
| 37 | --- | --- | . Retainer, Limiter | 1 |
| ① | 324013 | Kit, Carburetor Repair A1128WT (Stk Code A) | | |
| □ | 324009 | Kit, Gasket/Diaphragm B1110WT (Stk Code A) | | |
| ③ | Can be used on 32/35cc models with serial number prefixes 11-, 21- | | | |



P.O. Box 31567 • Tucson, Arizona 85751-1567 • U.S.A.

• MANUFACTURING • SALES • SERVICE •

FOR WARRANTY OR SERVICE,
CONTACT THE NEAREST McCULLOCH AUTHORIZED SERVICE CENTER
LISTED UNDER 'SAWS' IN YOUR TELEPHONE DIRECTORY YELLOW PAGES.

IF FURTHER ASSISTANCE IS REQUIRED CALL THIS TOLL-FREE HOT LINE.
PLEASE REFERENCE YOUR MODEL AND SERIAL NUMBER.

1-800-521-8559

MONDAY - FRIDAY - 6:00 AM - 4:30 PM (MST)

www.mccullochpower.com

