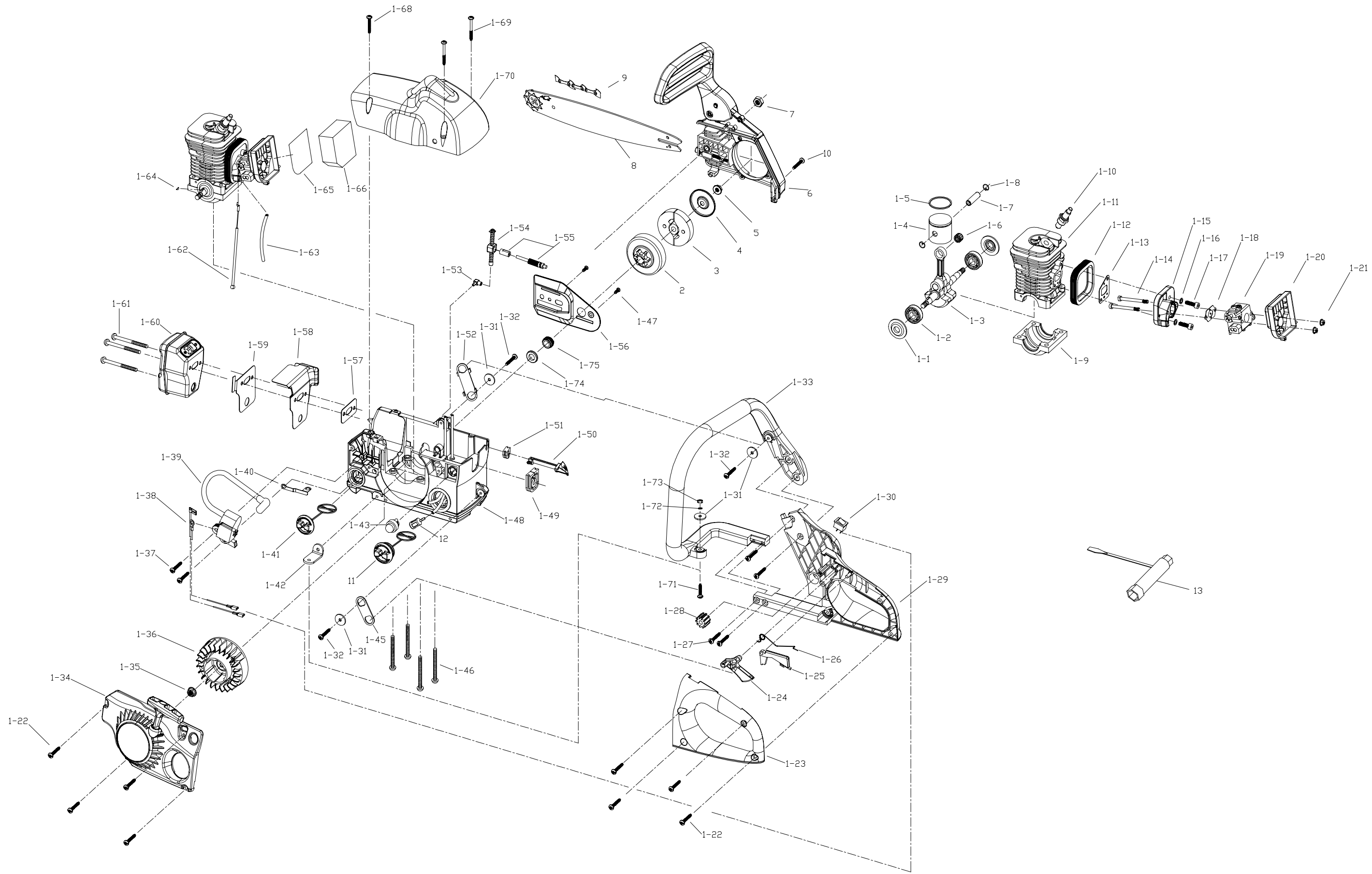




# SERVICE SPARE PARTS LIST

SPECIFY MODEL NO. WHEN ORDERING PARTS	
34CC 14" GAS CHAIN SAW	
MODEL NO.	MS1434NAV / 41BY44NQ077

DATE	REVISED DATE	PAGE
11/16/2004	N/A	1/2





## SERVICE SPARE PARTS LIST

<b>SPECIFY MODEL NO. WHEN ORDERING PARTS</b>		<b>DATE</b>	<b>REVISED DATE</b>	<b>PAGE</b>
<b>34CC 14" GAS CHAIN SAW</b>		<b>11/16/2004</b>	<b>N/A</b>	<b>2/2</b>
<b>MODEL NO.</b>	<b>MS1434NAV / 41BY44NQ077</b>			

No.	STK CODE	JFT Parts No.	Description	Q	No.	STK CODE	JFT Parts No.	Description	Q	No.	STK CODE	JFT Parts No.	Description	Q
1		MC-9238-MD0901	ENG ASS'Y	1	1-29	C	MC-9068-310502	HANDLE, REAR	1	1-59	C	MC-9082-310501	BAFFLE	1
<b>1-1</b>	<b>B</b>	<b>MC-9157-310502</b>	<b>CAP, BEARING</b>	<b>2</b>	<b>1-30</b>	<b>A</b>	<b>MC-9022-310501</b>	<b>SWITCH</b>	<b>1</b>	<b>1-60</b>	<b>C</b>	<b>MC-9228-310504</b>	<b>MUFFLER ASS'Y</b>	<b>1</b>
1-2	A	MC-9DB-620101	BEARING	2	1-31	B	MC-9WFB-05-21	WASHER	4	1-61	B	MC-9SXDB-06-70	SCREW	3
<b>1-3</b>	<b>A</b>	<b>MC-9228-310505</b>	<b>CRANK/ROD ASS'Y</b>	<b>1</b>	<b>1-32</b>	<b>B</b>	<b>MC-9SKKBY8/16-0.625</b>	<b>SCREW</b>	<b>3</b>	<b>1-62</b>	<b>B</b>	<b>MC-9010-310502</b>	<b>CABLE, THROTTLE</b>	<b>1</b>
1-4	B	MC-9290-310502	PISTON	1	1-33	C	MC-9068-310503	HANDLE, FRONT	1	1-63	B	MC-9129-310504	FUEL PIPE	1
<b>1-5</b>	<b>B</b>	<b>MC-9189-310502</b>	<b>RING, PISTON</b>	<b>1</b>	<b>1-34</b>	<b>C</b>	<b>MC-9228-MD0901</b>	<b>STARTER HOUSING ASS'Y</b>	<b>1</b>	<b>1-64</b>	<b>A</b>	<b>MC-9221-310001</b>	<b>WOODRUFF KEY</b>	<b>1</b>
1-6	A	MC-9NB-K101410	ROLLER, PISTON	1	1-35	B	MC-9NAB-5/16-24	NUT	1	1-65	B	MC-9183-310502	MESH	1
<b>1-7</b>	<b>A</b>	<b>MC-9PC-10-34.5</b>	<b>PIN, PISTON</b>	<b>1</b>	<b>1-36</b>	<b>B</b>	<b>MC-9169-310501</b>	<b>FLYWHEEL</b>	<b>1</b>	<b>1-66</b>	<b>A</b>	<b>MC-9252-310501</b>	<b>FILTER, AIR</b>	<b>1</b>
1-8	B	MC-9CA-10.3	RING	2	1-37	B	MC-9SKKBY8/16-0.75	SCREW	2	1-68	B	MC-9SKKBY-8/16-1	SCREW	1
<b>1-9</b>	<b>C</b>	<b>MC-9072-310501F</b>	<b>CASE, CRANK</b>	<b>1</b>	<b>1-38</b>	<b>A</b>	<b>MC-9010-310503</b>	<b>WIRE ASS'Y</b>	<b>1</b>	<b>1-69</b>	<b>B</b>	<b>MC-9SKKBY8/16-1.4</b>	<b>SCREW</b>	<b>2</b>
1-10	A	MC-9295-310502	SPARK PLUG	1	1-39	C	MC-9288-310501-CH	IGNITION ASS'Y	1	1-70	C	MC-9017-310509	SHROUD	1
<b>1-11</b>	<b>C</b>	<b>MC-9292-310501F</b>	<b>CYLINDER</b>	<b>1</b>	<b>1-40</b>	<b>B</b>	<b>MC-9051-310501</b>	<b>CONDUCTIVE PLATE</b>	<b>1</b>	<b>1-71</b>		<b>MC-9SKKB-05-19</b>	<b>SCREW</b>	<b>1</b>
1-12	B	MC-9012-310502	RUBBER, ISOLATOR	1	1-41	A	MC-9228-310207	OIL CAP ASS'Y	1	1-72		MC-6WSB-05	SPRING WASHER	1
<b>1-13</b>	<b>B</b>	<b>MC-9082-310505</b>	<b>SPACER</b>	<b>1</b>	<b>1-42</b>	<b>B</b>	<b>MC-9043-MD1003</b>	<b>FIX PLATE</b>	<b>1</b>	<b>1-73</b>		<b>MC-9NAB-05</b>	<b>NUT</b>	<b>1</b>
1-14	B	MC-9STDB-05-60	SCREW	2	1-43	A	MC-9142-310002	PRIMER	1	1-74	B	MC-9157-310501	FELT	1
<b>1-15</b>	<b>C</b>	<b>MC-9082-310504</b>	<b>ISOLATOR, CARBURETOR</b>	<b>1</b>	<b>1-45</b>	<b>B</b>	<b>MC-9043-MD1002</b>	<b>FIX PLATE</b>	<b>1</b>	<b>1-75</b>	<b>B</b>	<b>MC-9073-310503</b>	<b>WORM</b>	<b>1</b>
1-16	B	MC-6WSB-06	SPRING WASHER	2	1-46	B	MC-9SFAB-06-55	SCREW	4	2	C	MC-9228-310515	DRUM ASS'Y	1
<b>1-17</b>	<b>B</b>	<b>MC-9SACB-06-25</b>	<b>SCREW</b>	<b>2</b>	<b>1-47</b>	<b>B</b>	<b>MC-6SDABB04-08</b>	<b>SCREW</b>	<b>2</b>	<b>3</b>	<b>C</b>	<b>MC-9228-310528</b>	<b>CLUTCH ASS'Y</b>	<b>1</b>
1-18	B	MC-9082-310506	SPACER	1	1-48	C	MC-9228-310511	HOUSING ASS'Y	1	4	C	MC-9077-310501	CAP, ANTI-DUST	1
<b>1-19</b>	<b>C</b>	<b>MC-9287-310501</b>	<b>CARBURETOR</b>	<b>1</b>	<b>1-49</b>	<b>C</b>	<b>MC-9012-310503</b>	<b>HOLDER, CABLE</b>	<b>1</b>	<b>5</b>	<b>B</b>	<b>MC-9NHC-09</b>	<b>NUT</b>	<b>1</b>
1-20	B	MC-9228-310510	AIR FILTER ASS'Y	1	1-50	B	MC-9114-310510	LEVER, CHOKE (MTD BLUE)	1	6	C	MC-9228-310501	BRAKE KIT ASS'Y	1
<b>1-21</b>	<b>B</b>	<b>MC-9NHZ-05</b>	<b>NUT</b>	<b>2</b>	<b>1-51</b>	<b>B</b>	<b>MC-9012-310504</b>	<b>HOLDER, CHOKE LEVEL</b>	<b>1</b>	<b>7</b>	<b>B</b>	<b>MC-9NAZ-5/16-18</b>	<b>NUT</b>	<b>1</b>
1-22	B	MC-9SGKBY10/14-0.625	SCREW	8	1-52	B	MC-9043-MD1001	FIX PLATE	1	8	A	MC-9040-310510	BAR	1
<b>1-23</b>	<b>C</b>	<b>MC-9068-310501</b>	<b>HANDLE, LEFT PART</b>	<b>1</b>	<b>1-53</b>	<b>B</b>	<b>MC-9124-310102</b>	<b>CONNECTOR</b>	<b>1</b>	<b>9</b>	<b>A</b>	<b>MC-6220-210803</b>	<b>CHAIN</b>	<b>1</b>
1-24	A	MC-9028-310502	TRIGGER, THROTTLE	1	1-54	A	MC-9013-310501	OIL PIPE	1	10	B	MC-9SGKBY10/14-0.6	SCREW	1
<b>1-25</b>	<b>A</b>	<b>MC-9028-310501</b>	<b>TRIGGER, RELEASE</b>	<b>1</b>	<b>1-55</b>	<b>B</b>	<b>MC-9228-310526</b>	<b>PUMP ASS'Y</b>	<b>1</b>	<b>11</b>	<b>C</b>	<b>MC-9228-310206</b>	<b>FUEL CAP ASS'Y</b>	<b>1</b>
1-26	B	MC-9024-310504	SPRING	1	1-56	B	MC-9017-310508	CAP, ANTI-DUST	1	12	A	MC-9182-310001	FILTER	1
<b>1-27</b>	<b>B</b>	<b>MC-9SKKBY10/14-0.68</b>	<b>SCREW</b>	<b>4</b>	<b>1-57</b>	<b>B</b>	<b>MC-9082-310507</b>	<b>SPACER</b>	<b>1</b>	<b>13</b>		<b>MC-9042-310201</b>	<b>WRENCH</b>	<b>1</b>
1-28		MC-9027-310101	RUBBER	1	1-58	C	MC-9082-310502	BAFFLE	1					

Stocking Codes are:

A - Dealer stocked

B - Distributor stocked

C - Factory stocked