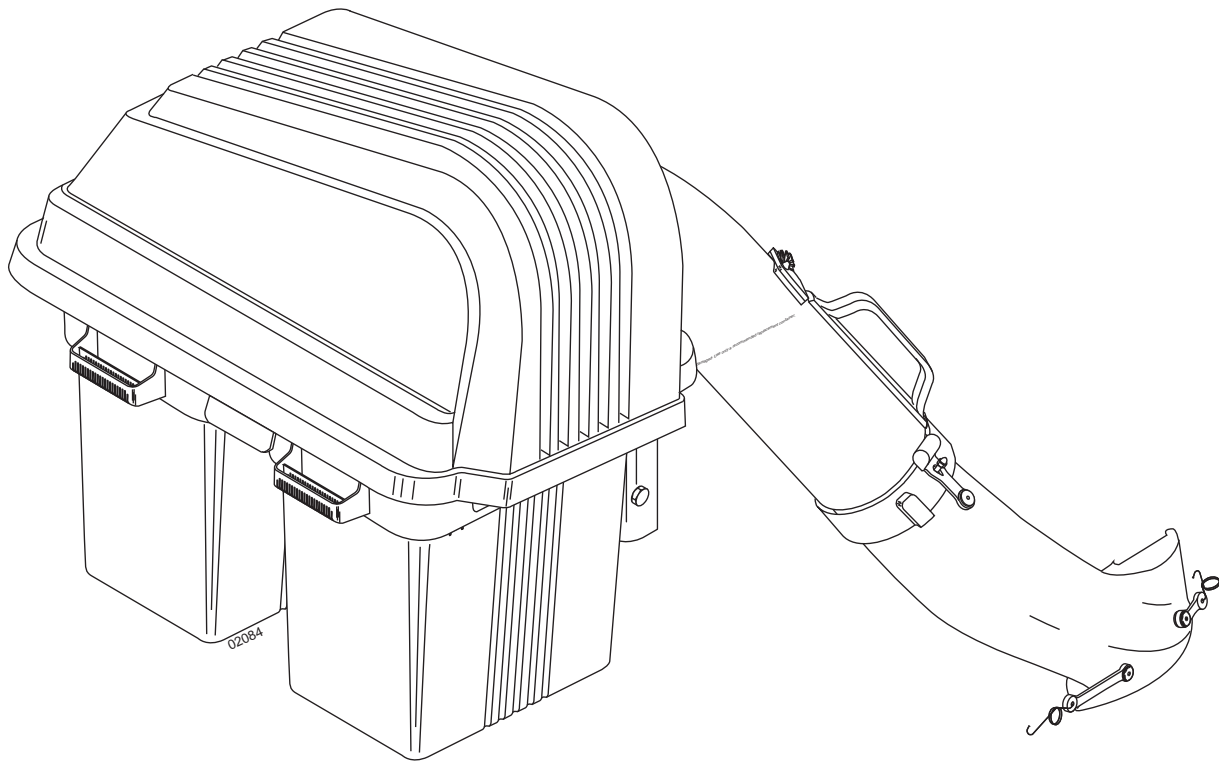


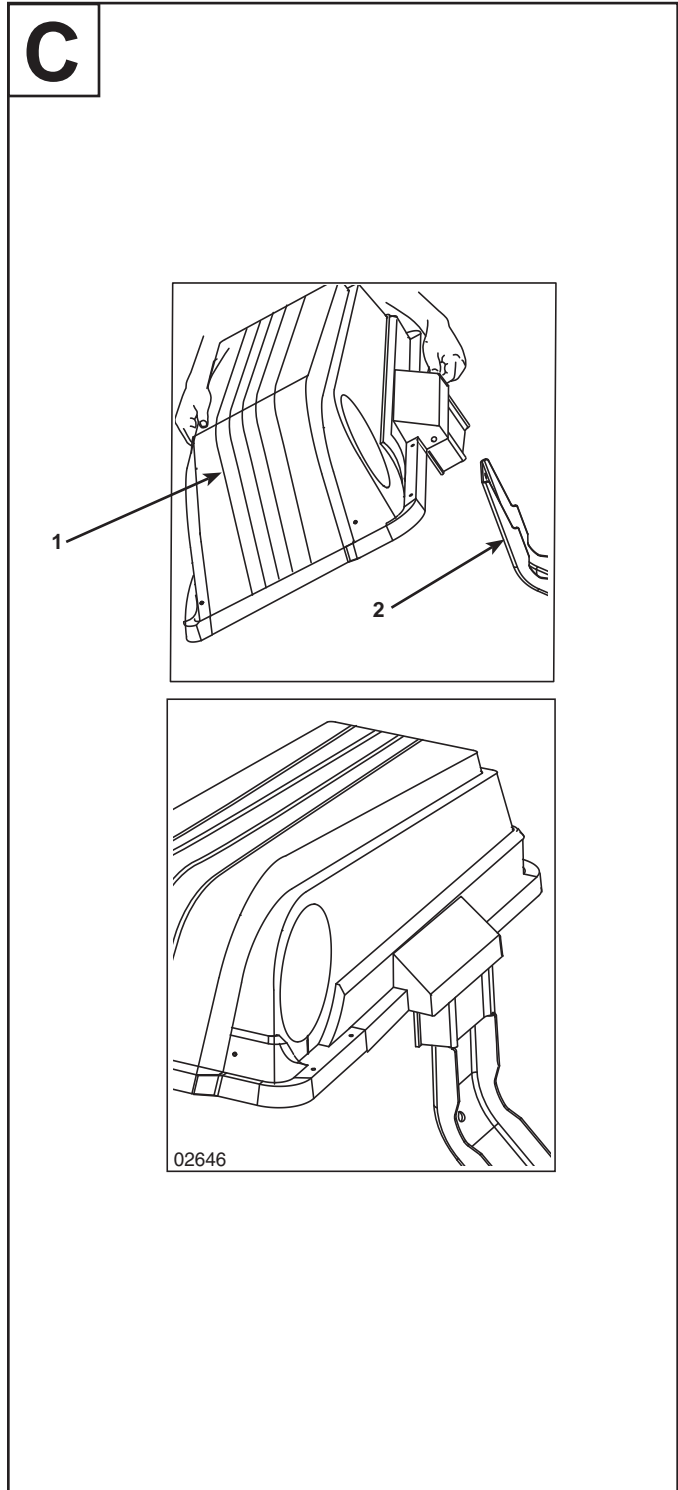
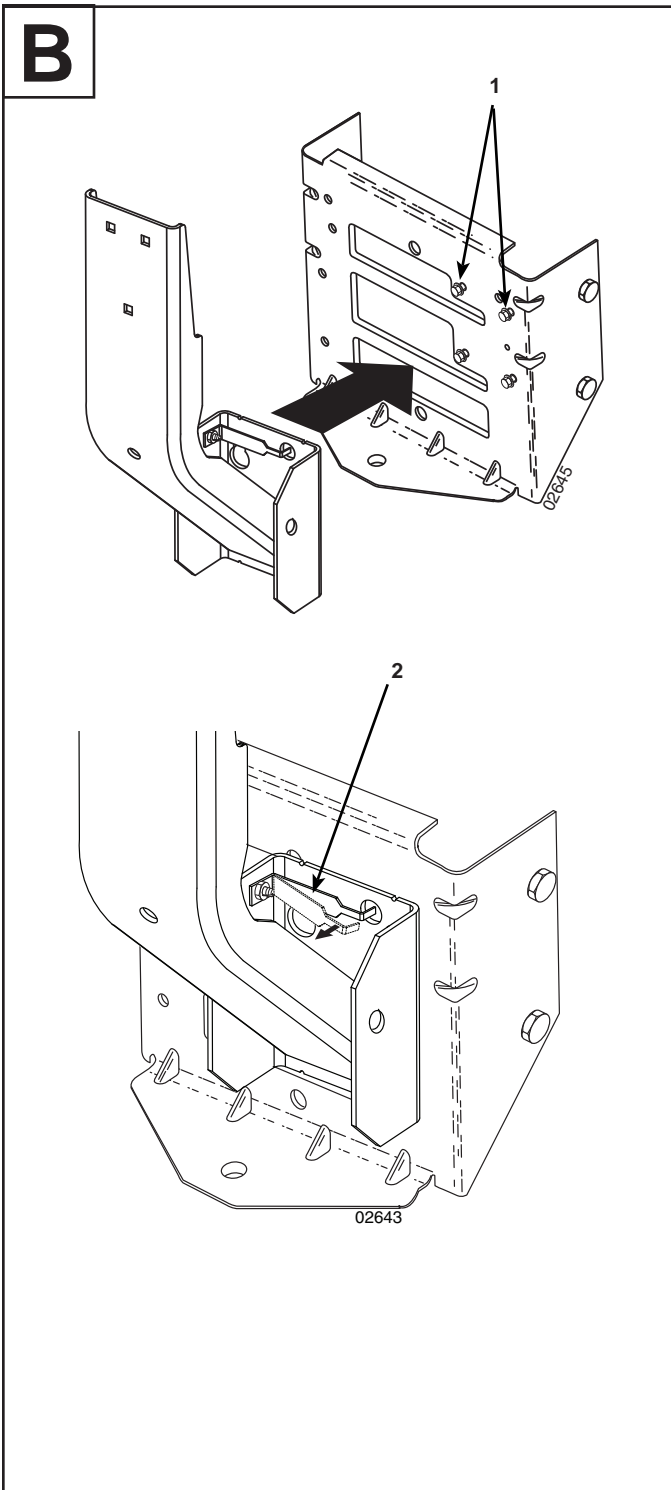
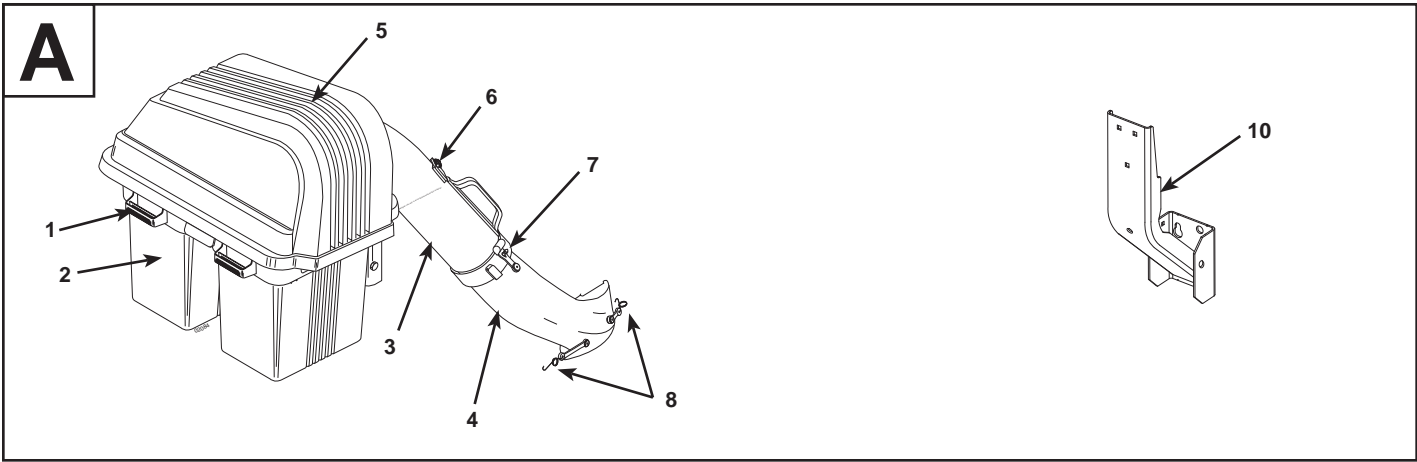
CET42

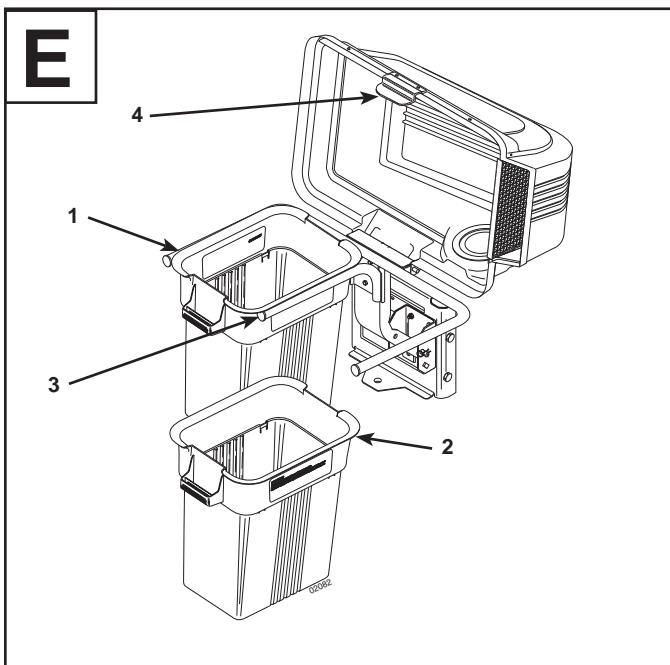
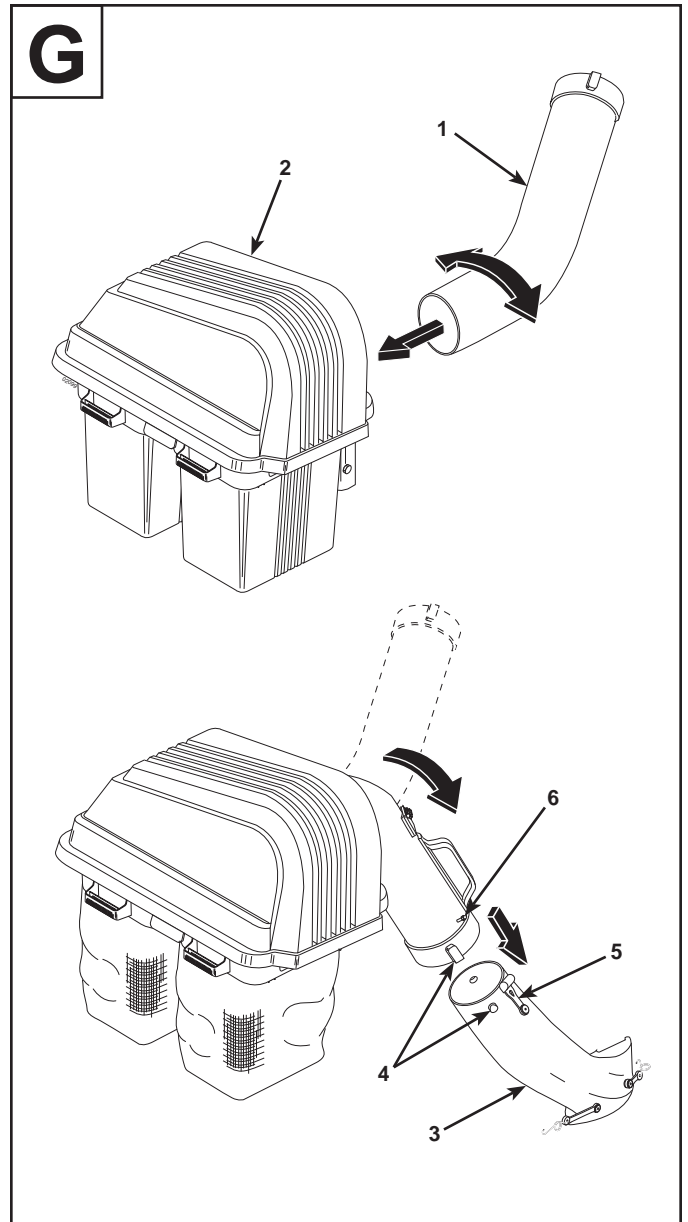
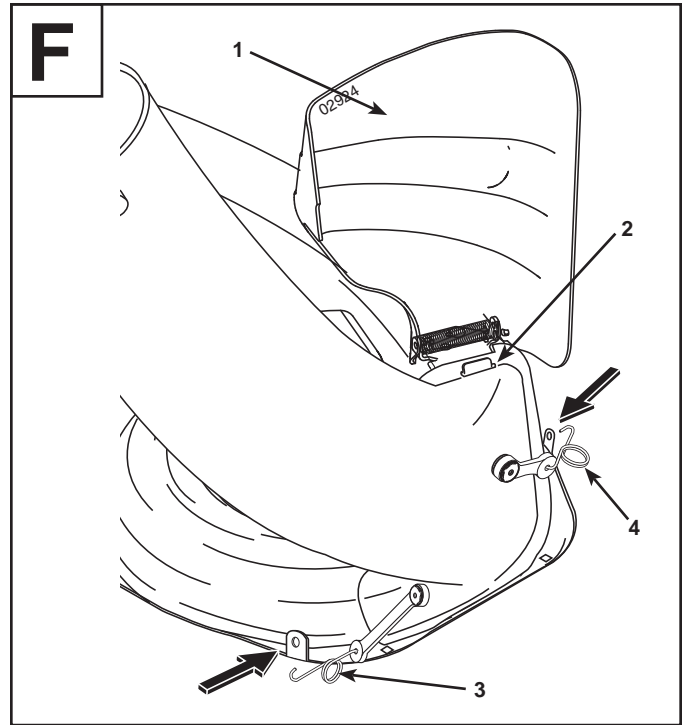
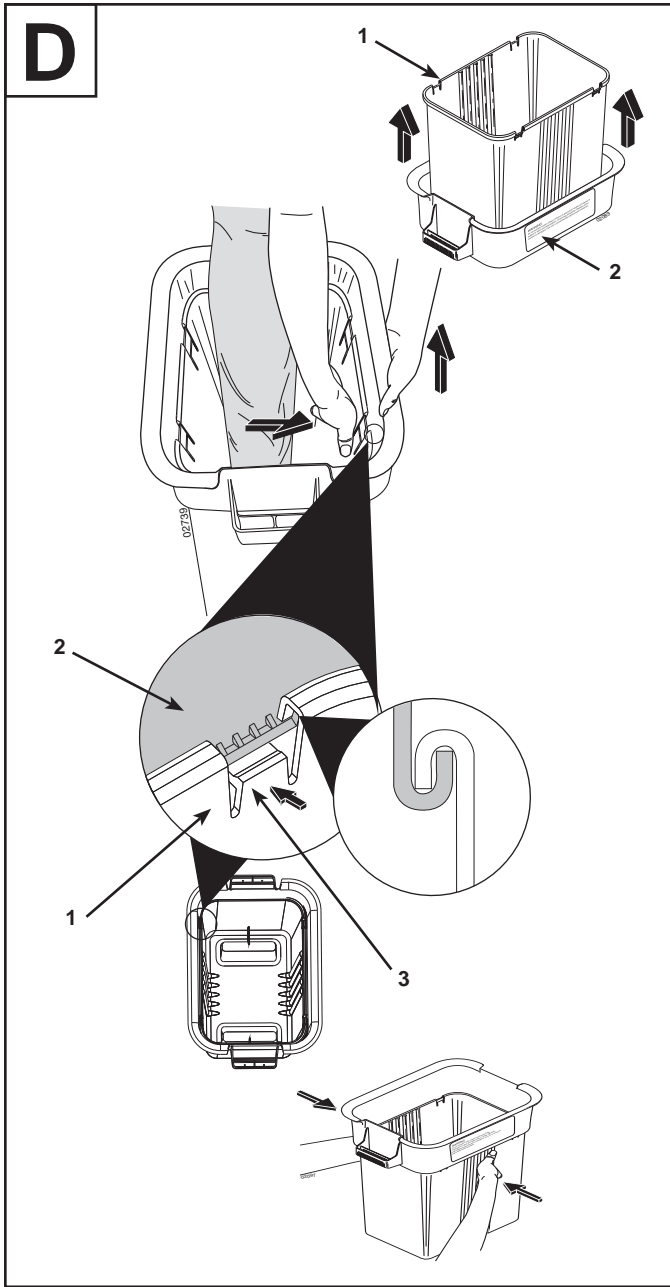
96071001001



- Ⓜ GB Grass Catcher Instruction Manual
- Ⓜ DE Bedienungsanleitung Grasfänger
- Ⓜ FR Mode d'emploi du bac de ramassage
- Ⓜ ES Manual de instrucción del depósito de hierba
- Ⓜ IT Manuale di istruzioni del sacco raccogliherba
- Ⓜ NL Instructiehandleiding grasvanger
- Ⓜ SE Bruksanvisning för gräsuppsamlingsenhet
- Ⓜ NO Håndbok for gressklipper/opsamler
- Ⓜ DK Brugsvejledning for græsopsamler
- Ⓜ FI Ruohonkerääjän käyttöopas
- Ⓜ PT Manual de Instruções do Recolhedor de grama
- Ⓜ GR Εγχειρίδιο οδηγιών συλλέκτη χορταριών

- Ⓜ CZ Návod na používání zachycovače trávy
- Ⓜ HR Upute za uporabu hvatača za travu
- Ⓜ SI Navodila za uporabo lovilnika trave
- Ⓜ PL Instrukcja obsługi chwytaka do trawy
- Ⓜ SK Zberač trávy – inštrukčná príručka
- Ⓜ HU Fűszedő kezelési utasítás
- Ⓜ RU Инструкция по эксплуатации травособирателя
- Ⓜ EE Rohukogumiskasti kasutusjuhend
- Ⓜ LT Žolės rinktuvo naudojimo instrukcija
- Ⓜ LV Zāles savācēja lietošanas instrukcija
- Ⓜ BG Наръчник с инструкции за събиращка на трева
- Ⓜ RO Mașină de adunat iarba - manual de instrucțiuni





A PARTS IDENTIFICATION

1. Container Top
2. Container Bottom
3. Upper Chute
4. Lower Chute
5. Cover
6. Full Bag Indicator
7. Upper Chute Latch
8. Lower Chute Latches
10. Support Assembly

B SUPPORT ASSEMBLY

- a. Your tractor already has four (4) shoulder bolts installed on the rear drawbar, simply hang the support assembly on the bolts (1).
- b. To remove the support assembly, pull outward on the stop bracket (2) enough to allow support assembly to be lifted up and away from drawbar.

C COVER ASSEMBLY (1) TO SUPPORT ASSEMBLY (2)

NOTE: For ease of assembly, you may wish to obtain the assistance of another person for mounting cover assembly to tractor.

- a. Lift cover and align cover bracket with support assembly.
- b. Slide cover assembly down onto the support assembly.

D CONTAINER ASSEMBLY

- a. Place bottom half (1) inside of top half (2).
- b. Place one foot inside bottom half and lift top half to meet bottom half.
- c. Press halves tightly together while lifting top to lock into place as shown.

IMPORTANT: BEFORE LOCKING THE TABS (3), HOOKED EDGES ON BOTH HALVES MUST OVERLAP TO FORM SEAL AS SHOWN IN INSET.

- d. Repeat for other containers.

ASSEMBLY CHECK: Squeeze sides of lower half of container and check that there is no gap between upper and lower halves. If a gap appears, unlock tabs to separate container halves and repeat instructions above.

E CONTAINER MOUNTING

- a. Install one container to left side first (1). Install other container to right side (2).

NOTE: Left edge of right container should always overlap right edge of left container at center support (3).

- b. Close cover and lock latch handle (4) over center support tube (3).

F ATTACH LOWER CHUTE

- a. Raise and hold deflector shield (1) in upright position.
- b. Place slot in lower chute over tab (2) on mower deck and position lower chute over deck opening as shown.
- c. Hook rear latch (3) into flange hole on back of mower deck.
- d. Hook front latch (4) into tab hole on front of mower deck.

CAUTION: Do not remove deflector shield (1) from mower. Raise and hold shield when attaching lower chute and allow it to rest on chute while in operation.

G UPPER CHUTE

- a. Lower mower to its lowest cutting position.
- b. Assemble upper chute (1) by inserting curved end into hole in back of cover (2).
- c. Push in and turn upper chute until it is in line with lower chute (3).
- d. Align the bosses (4) on lower chute with alignment slots (4) on upper chute and slide together.
- e. Secure with rubber latch (5) by hooking hole in latch over latch pin (6).

GB TIPS FOR IMPROVED BAGGING OPERATION:

Follow the mower operation instructions in your tractor owner's manual.

Be sure mower is properly leveled for best mower performance.

When operating your grass catcher on a lawn where grass and leaf bagging equipment has not been used, you are picking up thatch and debris that has accumulated for long periods of time. The amount collected and the total time of operation may be greater than you will experience with regular use of your grass catcher.

- Always run throttle at full speed when bagging.
- Select a gear low enough to give good mower cutting performance, good quality cut and good bagging performance.

NOTE: It may be necessary to overlap width of cut to suit your conditions.

- If grass is extremely tall, it should be mowed twice. The first time relatively high, the second time to desired height.
- Use left hand side of mower for trimming.
- Plastic trash bags can be inserted inside grass catcher containers for ease of debris disposal. To remove the plastic trash bags when full:
 - a. Disengage blades, shift into neutral, engage the parking brake and stop the engine.
 - b. Raise seat. Unlatch and raise cover.
 - c. Remove one container at a time by grasping container handles and pulling toward the rear, off of the tube rails.
 - d. With the container resting on the ground, close and secure the top of the plastic lawn bag.
 - e. Tip the container on its side and slide the filled bag from the container.
 - f. Install a new plastic lawn bag with the edges of the bag draped over upper lip of the container.
 - g. Repeat for other containers.
 - h. Reinstall containers making sure right container overlaps left container at center supports.
 - j. Close cover and secure latches over center support tubes.
- Avoid cutting wet grass or in the morning while the dew is still heavy. Grass clippings collected under these conditions tend to be sticky and adhere to the walls of the flow path causing clogging.
- Your bagger is equipped with a full bagger indicator. Movement of the wheel increases as the bags fill. The wheel will be spinning fastest just before the bags fill completely. When the wheel stops, it indicates that the bags are full and the chutes have become clogged.

NOTE: To help prevent clogging of chutes, check/empty bags when the wheel is spinning fast. Experience will teach you the best time to empty the bags.

- Care should be taken not to damage the parts and that the wheel spins freely at the beginning of each use.
- If the grass catcher fails to pick up cut grass or leaves, it is an indication that clogging has occurred in the system or that the grass catcher containers are full. Usually this is indicated by the stopped movement of the full bagger indicator.
 - a. Disengage blades, shift into neutral, engage the parking brake and stop the engine.
 - Raise seat. Unlatch and raise cover.
 - Slide out containers and dispose of clippings .
 - Replace containers, close cover, and latch.
 - b. Unlatch chutes and check for clogging.
 - Remove all debris in chutes.
 - Reassemble and latch chutes
 - c. Check to insure full bagger indicator has not become clogged.
 - The air passage hole must be clear of debris. Gently insert a small twig or wire into passageway to clear.

CAUTION

- Do not operate mower with grass catcher partially installed.
- Disengage blades and stop engine before leaving tractor seat to empty containers, unclogging chutes, etc.
- Close cover before starting.
- Disengage mower when crossing driveways or gravel surfaces and other areas where thrown objects could be a hazard.
- Do not attempt to vacuum up cans or other potentially hazardous projectiles.

GENERAL RECOMMENDATIONS

Always observe safety rules when performing any maintenance.

- Before each use check for loose fasteners.
- Clean unit thoroughly after each use.


BLADE CARE

For best results mower blades must be kept sharp. Replace bent or damaged blades.

- See BLADE CARE instructions in your tractor owner's manual.


CAUTION: BEFORE PERFORMING ANY MAINTENANCE, SERVICE OR ADJUSTMENTS:

- Depress clutch brake pedal fully and set parking brake.
- Place gearshift/motion control lever in neutral (N) position.
- Place clutch control in "DISENGAGED" position.
- Turn ignition key to "OFF" position.
- Make sure blades and all moving parts have completely stopped.
- Disconnect spark plug wire(s) from spark plug(s) and place wire where it cannot come in contact with plug.

 CAUTION: Grass catcher components are subject to wear, damage and deterioration, which could expose moving parts or allow objects to be thrown. Frequently check components and replace with manufacturer's recommended parts, when necessary.

STORAGE

When grass catcher is to be stored for a period of time, clean it thoroughly, remove all dirt, grass, leaves, etc. Store in a clean, dry place.

 CAUTION: Do not leave grass in bagger containers. Empty containers after each use and before storing. Failure to do so may result in spontaneous combustion which could develop into a fire.

SAFETY RULES

Safe Operation Practices for Ride-On Mowers

IMPORTANT: This cutting machine is capable of amputating hands and feet and throwing objects. Failure to observe the following safety instructions could result in serious injury or death.

I. TRAINING

- Read the instructions carefully. Be familiar with the controls and the proper use of the equipment.
- Never allow children or people unfamiliar with the instructions to use the lawnmower. Local regulations may restrict the age of the operator.
- Never mow while people, especially children, or pets are nearby.
- Keep in mind that the operator or user is responsible for accidents or hazards occurring to other people or their property.
Do not carry passengers.
- All drivers should seek and obtain professional and practical instruction. Such instruction should emphasize:
 - the need for care and concentration when working with ride-on machines;
 - control of a ride-on machine sliding on a slope will not be regained by the application of the brake.

The main reasons for loss of control are:

- a) insufficient wheel grip;
- b) being driven too fast;
- c) inadequate braking;
- d) the type of machine is unsuitable for its task;
- e) lack of awareness of the effect of ground conditions, especially slopes;
- f) incorrect hitching and load distribution.

II. PREPARATION

- To reduce the risk of fire - before use, when refueling and at the end of each mowing session - inspect and remove any debris buildup from the tractor, mower and behind all guards.
- While mowing, always wear substantial footwear and long trousers. Do not operate the equipment when barefoot or wearing open sandals.
- Thoroughly inspect the area where the equipment is to be used and remove all objects which may be thrown by the machine.
- WARNING - Petrol is highly flammable.
 - Store fuel in containers specifically designed for this purpose.
 - Refuel outdoors only and do not smoke while refueling.
 - Add fuel before starting the engine. Never remove the cap of the fuel tank or add petrol while the engine is running or when the engine is hot.
 - If petrol is spilled, do not attempt to start the engine but move the machine away from the area of spillage and avoid creating any source of ignition until petrol vapors have dissipated.
 - Replace all fuel tanks and container caps securely.




- Replace faulty silencers.
- Before using, always visually inspect to see that the blades, blade bolts and cutter assembly are not worn or damaged. Replace worn or damaged blades and bolts in sets to preserve balance.
- On multi-bladed machines, take care as rotating one blade can cause other blades to rotate.

III. OPERATION

- Do not operate the engine in a confined space where dangerous carbon monoxide fumes can collect.
- Mow only in daylight or in good artificial light.
- Before attempting to start the engine, disengage all blade attachment clutches and shift into neutral.
- Do not use on slopes of more than 5°.
- Remember there is no such thing as a "safe" slope. Travel on grass slopes requires particular care. To guard against overturning;
 - do not stop or start suddenly when going up or downhill;
 - engage clutch slowly, always keep machine in gear, especially when traveling downhill;
 - machine speeds should be kept low on slopes and during tight turns;
 - stay alert for humps and hollows and other hidden hazards;
 - never mow across the face of the slope, unless the lawnmower is designed for this purpose.
- Use care when pulling loads or using heavy equipment.
 - Use only approved drawbar hitch points.
 - Limit loads to those you can safely control.
 - Do not turn sharply. Use care when reversing.
 - Use counterweight(s) or wheel weights when suggested in the instruction handbook.
- Watch out for traffic when crossing or near roadways.
- Stop the blades from rotating before crossing surfaces other than grass.
- When using any attachments, never direct discharge of material toward bystanders nor allow anyone near the machine while in operation.
- Never operate the lawnmower with defective guards, shields or without safety protective devices in place.
- Do not change the engine governor settings or overspeed the engine. Operating the engine at excessive speed may increase the hazard of personal injury.
- Before leaving the operator's position:
 - disengage the power take-off and lower the attachments;
 - change into neutral and set the parking brake;
 - stop the engine and remove the key.
- Disengage drive to attachments, stop the engine, and disconnect the spark plug wire(s) or remove the ignition key
 - before cleaning blockages or unclogging chute;
 - before checking, cleaning or working on the lawnmower;
 - after striking a foreign object. Inspect the lawnmower for damage and make repairs before restarting and operating the equipment;
 - if the machine starts to vibrate abnormally (check immediately).
- Disengage drive to attachments when transporting or not in use.
- Stop the engine and disengage drive to attachment
 - before refueling;
 - before removing the grass catcher;
 - before making height adjustment unless adjustment can be made from the operator's position.
- Reduce the throttle setting during engine run-out and, if the engine is provided with a shut-off valve, turn the fuel off at the conclusion of mowing.

IV. MAINTENANCE AND STORAGE

- Keep all nuts, bolts and screws tight to be sure the equipment is in safe working condition.
- Never store the equipment with petrol in the tank inside a building where fumes may reach an open flame or spark.
- Allow the engine to cool before storing in any enclosure.
- To reduce the fire hazard, keep the engine, silencer, battery compartment and petrol storage area free of grass, leaves, or excessive grease.
- Check the grass catcher frequently for wear or deterioration.
- Replace worn or damaged parts for safety.
- If the fuel tank has to be drained, this should be done outdoors.
- On multi-bladed machines, take care as rotating one blade can cause other blades to rotate.
- When machine is to be parked, stored or left unattended, lower the cutting means unless a positive mechanical lock is used.

 WARNING: Always disconnect spark plug wire and place wire where it cannot contact spark plug in order to prevent accidental starting when setting up, transporting, adjusting or making repairs.

A IDENTIFIKATION DER TEILE

1. Oberseite Behälter
2. Boden Behälter
3. Oberer Schacht
4. Unterer Schacht
5. Abdeckung
6. Anzeige Beutel voll
7. Obere Schachtklappe
8. Untere Schachtklappe
10. Halterung

B ZUSAMMENBAU HALTERUNG

- a. An Ihrem Traktor sind bereits an der hinteren Zugstange vier (4) Schlitzkopfschrauben angebracht. Hängen Sie die Halterung einfach an den Schrauben ein (1).
- b. Zum Entfernen der Halterung ziehen Sie so viel am Stoppbügel (2) nach außen, dass die Halterung hoch und von der Zugstange weg gehoben wird.

C ZUSAMMENBAU DER ABDECKUNG (1) AN DER HALTERUNG (2)

ANMERKUNG: Für ein leichteres Zusammenbauen brauchen Sie vielleicht die Hilfe einer weiteren Person zum Montieren der Abdeckung am Traktor.

- a. Legen Sie die Abdeckung hinter dem Traktor auf den Boden wie abgebildet.
- b. Heben Sie die Abdeckung und drehen Sie sie so, dass sie auf die Halterung ausgerichtet ist.
- c. Schieben Sie die Abdeckung hinunter auf die Halterung.

D ZUSAMMENBAU DES BEHÄLTERS

- a. Stecken Sie die untere Hälfte (1) in die obere Hälfte (2).
- b. Stellen Sie einen Fuß in die untere Hälfte und heben Sie die obere Hälfte hoch, so dass sie die untere Hälfte trifft.
- c. Drücken Sie die Hälften fest zusammen, während Sie das Oberteil wie abgebildet hochheben, damit es einrastet.

WICHTIG: BEVOR SIE DIE ZAPFEN (3) VERRIEGELN, MÜSSEN DIE GEKRÜMMTEN KANTEN BEIDER HÄLFTEN EINANDER, WIE BEIM EINSETZEN GEZEIGT, EINANDER ÜBERLAPPEN, SO DASS SIE DICHT SIND.

- d. Wiederholen Sie das bei den anderen Behältern.

PRÜFEN DES ZUSAMMENBAUS: Drücken Sie die Seiten der unteren Behälterhälfte zusammen und vergewissern Sie sich, dass es zwischen der oberen und der unteren Hälfte keinen Spalt gibt. Sollte noch ein Spalt da sein, entriegeln Sie die Zapfen und trennen Sie die Behälterhälften voneinander. Führen Sie die oben gegebenen Anweisungen noch einmal durch.

E MONTIEREN DER BEHÄLTER

- a. Installieren Sie zuerst einen Behälter links (1). Dann installieren Sie den anderen Behälter rechts (2).

ANMERKUNG: Die linke Kante des rechten Behälters sollte immer die rechte Kante des linken Behälters an der Halterung in der Mitte überlappen (3).

- b. Schließen Sie die Abdeckung und verriegeln Sie den Klappengriff (4) über dem Halterungsrohr (3) in der Mitte.

F ANFÜGEN DES UNTEREN SCHACHTS

- a. Heben Sie das Ablenklech (1) hoch und halten Sie es aufrecht.
- b. Setzen Sie den Schlitz am unteren Schacht über Zapfen (2) am Mäherdeck und positionieren Sie den unteren Schacht über der Decköffnung wie abgebildet.
- c. Hängen Sie die hintere Klappe (3) in das Flanschloch an der Rückseite des Mäherdecks ein.
- d. Hängen Sie die vordere Klappe (4) in das Flanschloch an der Vorderseite des Mäherdecks ein.

VORSICHT: Entfernen Sie das Ablenklech (1) nicht vom Mäher. Heben Sie beim Einsetzen des unteren Schachts das Blech hoch und halten Sie es, so dass es während des Vorgangs auf dem Schacht ruht.

G OBERER SCHACHT

- a. Senken Sie den Mäher auf seine niedrigste Mähposition.
- b. Setzen Sie den oberen Schacht (1) zusammen, indem Sie das gebogene Ende in das Loch an der Rückseite der Abdeckung (2) einschieben.
- c. Schieben Sie den oberen Schacht ein und drehen Sie ihn, bis er auf einer Linie mit dem unteren Schacht ist (3).
- d. Richten Sie die Buckel (4) am unteren Schacht auf die Ausrichtungsschlitz (4) am oberen Schacht aus und schieben Sie die beiden zusammen.
- e. Sichern Sie das ganze mit der Gummilasche (5), indem Sie das Loch in der Lasche in den Laschenstift (6) einhängen.

DE TIPPS FÜR EINEN BESSEREN BEUTELFÜLLUNGSVORGANG:

Befolgen Sie die Anweisungen zum Betrieb des Mähers in Ihrem Traktorhandbuch.

Vergewissern Sie sich, dass der Mäher für die beste Mähleistung ausnivelliert ist.

Beim Betrieb Ihres Grasfängers auf einem Rasen, auf dem noch keine Vorrichtung zum Abfüllen von Gras und Blättern in Beutel benutzt wurde, nehmen Sie Stroh und Ablagerungen auf, die sich über lange Zeiträume angesammelt haben. Die gesammelte Menge und die Gesamtzeit für diese Arbeit kann größer sein, als bei regelmäßiger Anwendung Ihres Grasfängers.

- Geben Sie beim Einfüllen in Beutel immer Vollgas.
- Wählen Sie einen Gang, der niedrig genug ist, um eine gute Schneidleistung des Mähers, einen Schnitt von guter Qualität und einen guten Beutelfüllungsleistung zu erreichen.

ANMERKUNG: Es kann nötig sein, die Schnittbreite zu überschneiden, um Ihren Bedingungen zu entsprechen.

- Wenn das Gras extrem hoch ist, sollte man es zwei Mal mähen. Das erste Mal relativ hoch, das zweite Mal auf die gewünschte Höhe.
- Benutzen Sie zum Austrimmen die linke Seite des Mähers.
- Für eine bequeme Entsorgung der Abfälle können in die Behälter des Grasfängers Plastik-Müllbeutel eingesetzt werden. Zum Herausnehmen der vollen Plastik-Müllsäcke gehen Sie folgend vor:
 - a. Kuppeln Sie die Klappen aus, drehen Sie diese auf neutral, legen Sie die Handbremse ein und stoppen Sie den Motor.
 - b. Heben Sie den Sitz. Entriegeln Sie die Abdeckung und heben Sie sie hoch.
 - c. Entfernen Sie jeweils einen Behälter, indem Sie die Griffe des Behälters nehmen und nach hinten ziehen von den Rohrschienen weg.
 - d. Wenn der Behälter am Boden steht, verschließen Sie den Plastik-Grassack oben.
 - e. Kippen Sie den Behälter zur Seite und lassen Sie den gefüllten Sack aus dem Behälter gleiten.
 - f. Setzen Sie einen neuen Plastik-Grassack ein, wobei die oberen Enden des Sacks über die obere Kante des Behälters gestülpt werden.
 - g. Wiederholen Sie das bei den anderen Behältern.
 - h. Installieren Sie die Behälter über und vergewissern Sie sich dabei, dass der rechte Behälter den linken an den Halterungen in der Mitte überlappt.
 - j. Schließen Sie die Abdeckung und sichern Sie die Klappen über den Halterungsrohren in der Mitte.

- Vermeiden Sie das Schneiden von nassem Gras, oder am Morgen, wenn der Tau noch stark ist. Unter solchen Umständen gemähtes Gras tendiert dazu, zu kleben und an den Wänden des Durchgangsweges zu haften, wodurch dieser verstopft wird.

- Ihr Grasfänger hat eine Anzeige, die angibt, wenn der Beutel voll ist. Die Bewegung des Rades wird schneller, je mehr sich der Beutel füllt. Direkt bevor der Beutel ganz gefüllt ist, dreht sich das Rad am schnellsten. Wenn das Rad stoppt, zeigt es an, dass die Beutel voll sind, oder die Schächte verstopft sind.

ANMERKUNG: Ein Verstopfen der Schächte kann verhindert werden, indem Sie die Beutel überprüfen bzw. herausnehmen, wenn sich das Rad schnell dreht. Mit etwas Erfahrung werden Sie erkennen, wann der beste Zeitpunkt zum Herausnehmen der Beutel ist.

- Es sollte darauf geachtet werden, die Teile nicht zu beschädigen und dass sich das Rad zu Beginn jeder Benutzung frei dreht.
- Wenn der Grasfänger kein geschnittenes Gras oder Blätter aufnimmt, ist das ein Hinweis dafür, dass das System verstopft ist, oder dass die Grasbehälter voll sind. Für gewöhnlich wird das durch den Stillstand des Anzeigerads angezeigt.

- a. Kuppeln Sie die Klappen aus, drehen Sie diese auf neutral, legen Sie die Handbremse ein und stoppen Sie den Motor.
 - Heben Sie den Sitz. Entriegeln Sie die Abdeckung und heben Sie sie hoch.
 - Ziehen Sie die Behälter heraus und entsorgen Sie das geschnittene Gras.
 - Setzen Sie die Behälter wieder ein, schließen Sie die Abdeckung und die Klappen.
- b. Öffnen Sie die Klappen der Schächte und sehen Sie nach, ob die Schächte verstopft sind.
 - Entfernen Sie alle Ablagerungen aus den Schächten.
 - Bauen Sie alles wieder zusammen und verriegeln Sie die Schächte.
- c. Überprüfen Sie auch, ob das Anzeigerad nicht verstopft ist.
 - Das Luftloch muss frei von Schmutz sein. Stecken Sie vorsichtig einen kleinen Zweig oder einen Draht in den Luftschacht, um ihn frei zu machen.



- **Betreiben Sie den Mäher nicht, wenn der Grasfänger nur teilweise installiert ist.**
- **Kuppeln Sie die Klappen aus und stoppen Sie den Motor, bevor Sie den Traktorsitz verlassen, um die Behälter zu entleeren, die Schächte von Verstopfungen frei zu machen usw.**
- **Schließen Sie vor dem Starten die Abdeckung.**
- **Kuppeln Sie den Mäher aus, wenn Sie Zufahrten kreuzen, oder auf Schotterwegen und anderen Flächen fahren, wo ein Wegschleudern von Gegenständen gefährlich sein könnte.**
- **Versuchen Sie nicht, Dosen, oder andere potentiell gefährliche Geschosse aufzusaugen.**

ALLGEMEINE EMPFEHLUNGEN

Beobachten Sie bei Wartungsarbeiten immer die Sicherheitsvorschriften.

- Prüfen Sie vor jeder Benutzung, ob die Befestigungen fest sitzen.
- Reinigen Sie das Gerät nach jeder Benutzung gründlich.


PFLEGE DER KLINGEN

Um beste Ergebnisse zu erzielen, müssen die Klingen scharf gehalten werden. Tauschen Sie verbogene oder beschädigte Klingen aus.

- Siehe Anweisungen KLINGENPFLEGE in Ihrem Traktorhandbuch.


VORSICHT: VOR JEDER WARTUNGSARBEIT, SERVICE, ODER EINSTELLUNG:

- **Drücken Sie das Kupplungs-/Bremspedal voll durch und legen Sie die Handbremse ein.**
- **Stellen Sie den Ganghebel auf neutral (N).**
- **Stellen Sie die Kupplung auf „AUSGEKUPPELT“.**
- **Drehen Sie den Zündschlüssel auf „OFF“.**
- **Vergewissern Sie sich, dass die Klingen und alle beweglichen Teile vollständig zum Stillstand gekommen sind.**
- **Trennen Sie das Zündkerzenkabel von der/den Zündkerze(n) und geben Sie das Kabel an einen Ort, an dem es nicht mit der Zündkerze in Berührung kommen kann.**

 **VORSICHT:** Die Bestandteile des Grasfängers unterliegen der Abnutzung, Beschädigung und dem Verschleiß, wodurch es dazu kommen kann, dass bewegliche Teile frei liegen, oder Gegenstände geworfen werden. Prüfen Sie die Komponenten häufig und ersetzen Sie diese nötigenfalls mit vom Hersteller empfohlenen Ersatzteilen.

LAGERUNG

Wenn der Grasfänger für einige Zeit gelagert werden soll, reinigen Sie ihn gründlich, entfernen Sie allen Schmutz, Gras, Blätter usw. Stellen Sie den Grasfänger an einem sauberen, kühlen Ort ab.

 **VORSICHT:** Lassen Sie kein Gras in den Behältern. Leeren Sie die Behälter nach jeder Benutzung und besonders vor dem Lagern. Wird das nicht beachtet, kann es zu einer Selbstzündung kommen, aus der sich ein Brand entwickeln könnte.

SICHERHEITSVORSCHRIFTEN

Regeln für die sichere Bedienung von Rasentraktoren

WICHTIG: Diesemähmaschine kann hände und füsse abtrennen und gegenstände mit hoher geschwindigkeit schleudern. Nichtbeachtung der folgenden sicherheitsvorschriften könnte schwere oder tödliche verletzungen zur folge haben.

I. SCHULUNG

- Die Anleitungen sorgfältig durchlesen. Mit den Bedienungselementen und der vorschriftsmäßigen Bedienung der Maschine vertraut machen.
- Auf keinen Fall Kindern oder Erwachsenen, die mit der Bedienungsanleitung des Mähers nicht vertraut sind, den Betrieb der Maschine gestatten. Das Mindestalter von Fahrern ist womöglich gesetzlich geregelt.
- Auf keinen Fall mähen, solange sich andere, besonders Kinder oder Haustiere, im Arbeitsbereich befinden.
- Bitte denken Sie daran, daß der Fahrer oder Benutzer für jegliche Unfälle oder Gefahren, denen andere oder deren Eigentum ausgesetzt werden, verantwortlich ist.
- Befördern Sie keine Passagiere.
- Alle Fahrer sollten von einem Fachmann in Theorie und Praxis unterrichtet werden. Dieser Unterricht sollte folgende Punkte behandeln:
 - die Notwendigkeit von Vorsicht und Konzentration bei der Arbeit mit Rasentraktoren;
 - daß es nicht möglich ist, die Beherrschung eines Rasentraktors, der auf einem Abhang herabbrutscht, durch Betätigen der Bremse wieder zu erlangen.

Die Hauptgründe für den Verlust der Beherrschung über das Fahrzeug sind:

- a) ungenügende Bodenhaftung;
- b) zu schnelles Fahren;
- c) unzureichendes Abbremsen;
- d) die Maschine ist nicht für die Aufgabe geeignet;
- e) unzureichendes Bewußtsein über die Auswirkungen von Bodenverhältnissen, besonders auf Abhängen;
- f) verkehrtes Abschleppen und verkehrte Lastverteilung.

II. VORBEREITUNG

- Um das Risiko eines Brandes zu reduzieren, inspizieren Sie vor der Benutzung, beim Nachtanken und zu Ende jeder Mahd den Traktor und den Mäher und entfernen Sie alle Mährückstände, die sich angesammelt haben, auch hinter allen Schutzabdeckungen.
- Während dem Mähens immer festes Schuhwerk und lange Hosen tragen. Die Maschine nicht barfuß oder mit offenen Sandalen in Betrieb nehmen.
- Das Arbeitsgelände sorgfältig untersuchen und alle Gegenstände, die von der Maschine aufgeschleudert werden könnten, entfernen.
- **WARNUNG** - Benzin ist äußerst leicht entzündlich.
 - Kraftstoff in speziell dafür ausgelegten Behältern lagern.
 - Nur im Freien tanken und währenddessen nicht rauchen.
 - Kraftstoff nachfüllen, bevor der Motor angelassen wird. Auf keinen Fall den Tankdeckel entfernen oder Benzin nachfüllen, solange der Motor läuft oder heiß ist.
 - Falls Kraftstoff verschüttet wurde, nicht versuchen, den Motor anzulassen, sondern die Maschine vom verschütteten Benzin wegschieben und das Verursachen jeglicher Zündquellen vermeiden, bis die Benzindämpfe sich verflüchtigt haben.
 - Alle Deckel wieder fest auf Kraftstofftanks und Kraftstoffbehältern anbringen.
- Schadhafte Schalldämpfer ersetzen.

(DE)


- Vor dem Gebrauch immer mit einer Sichtprüfung sicherstellen, daß Mähmesser, Messerschrauben und die Mäheinheit nicht abgenutzt oder beschädigt sind. Abgenutzte oder beschädigte Messer und Schrauben ersetzen, um Auswuchtung zu gewährleisten.
- Bei Maschinen mit mehreren Mähmessern ist Vorsicht geboten, da beim Drehen eines Mähmessers die anderen Mähmesser sich womöglich mit drehen.

III. BETRIEB

- Maschine nicht in einem geschlossenen Bereich betreiben, in dem die gefährlichen Kohlenoxydgase sich sammeln können.
- Nur bei Tageslicht oder guter künstlicher Beleuchtung mähen.
- Alle Messerbetätigungskupplungen auskuppeln und in den Leerlauf schalten, bevor versucht wird, den Motor anzulassen.
- Auf keinen Abhängen mit einer Steigung von mehr als 5° mähen.
- Bitte daran denken, daß es keinen "sicheren" Abhang gibt. Beim Fahren auf grasbewachsenen Abhängen ist besondere Vorsicht geboten. Um das Umschlagen zu vermeiden:
 - Beim Bergauf- oder Bergabfahren auf keinen Fall plötzlich anfahren oder anhalten;
 - Kupplung langsam einlegen, immer einen Gang eingelegt lassen, besonders beim Bergabfahren;
 - Die Fahrgeschwindigkeit sollte auf Abhängen und in engen Kurven niedrig gehalten werden.
 - Auf Bodenwellen, Löcher und andere Gefahren achten;
 - Niemals quer zum Abhang mähen, es sei denn, der Rasenmäher ist speziell dafür ausgelegt.
- Beim Abschleppen von Lasten oder der Verwendung von schwerem Gerät ist Vorsicht geboten.
 - Nur zugelassene Zugstangen-Anhängepunkte verwenden.
 - Lasten klein genug halten, so daß sie sicher beherrscht werden können.
 - Kein scharfen Kurven fahren. Beim Rückwärtsfahren vorsichtig sein.
 - Gegengewichte oder Radgewichte verwenden, falls diese in der Betriebsanleitung empfohlen werden.
- Beim Überqueren von Straßen oder dem Arbeiten in deren Nähe, auf den Verkehr achten.
- Vor dem Überqueren von Oberflächen den Mähmesserantrieb ausschalten, es sei denn, es handelt sich um Gras.
- Bei der Verwendung von Anbaugeräten, den Materialauswurf auf keinen Fall auf Personen richten, und niemanden während des Betriebs in der Nähe der Maschine dulden.
- Den Rasenmäher auf keinen Fall mit schadhafte Schutzvorrichtungen, Schildern oder ohne Sicherheitsausrüstung in Betrieb nehmen.
- Die Einstellung des Drehzahlreglers nicht ändern, und die Drehzahl des Motors nicht über die Werkspezifikationen heraufsetzen. Der Betrieb des Motors bei zu hohen Drehzahlen kann die Gefahr von Körperverletzungen vergrößern.
- Vor dem Verlassen der Bedienungsstation:
 - Die Zapfwelle abstellen und alle Anbaugeräte absenken.
 - In Leerlauf schalten und die Feststellbremse einlegen.
 - Den Motor abstellen und den Zündschlüssel abziehen.
- Alle Anbaugeräte-Antriebe ausschalten, den Motor abstellen und das (die) Zündkerzenkabel abziehen bzw. den Zündschlüssel abziehen:
 - vor dem Entfernen von Verstopfungen aus dem Mähwerk oder dem Auswurf;
 - vor dem Prüfen, Reinigen oder Reparieren des Rasenmähers;
 - nachdem auf ein Fremdkörper gestoßen wurde. Den Rasenmäher auf Schäden untersuchen und die Reparaturen durchführen, bevor die Maschine wieder angelassen und in Betrieb genommen wird;
 - falls die Maschine anfangen sollte, ungewöhnlich zu vibrieren (sofort prüfen).
- Alle Anbaugeräte-Antriebe ausschalten, wenn die Maschine transportiert oder nicht gebraucht wird.
- Den Motor abstellen und den Anbaugerät-Antrieb ausstellen:
 - vor dem Tanken;
 - vor dem Entfernen der Grasfangvorrichtung;
 - vor der Einstellung der Schnitthöhe, es sei denn diese Einstellung kann von der Bedienungsstation aus vorgenommen werden.
- Die Drosselklappe während des Auslaufens des Motors schließen und, falls der Motor mit einem Absperrventil ausgestattet ist, dieses bei Beendigung der Mäharbeiten schließen.

IV. WARTUNG UND LAGERUNG

- Darauf achten, daß alle Muttern, Bolzen und Schrauben fest angezogen sind, um zu gewährleisten, daß die Maschine für den Betrieb sicher ist.
- Die Maschine auf keinen Fall mit Benzin im Tank in einem Gebäude lagern, in dem die Benzindämpfe ein offenes Feuer oder einen Funken erreichen könnten.
- Den Motor abkühlen lassen, bevor er in einem geschlossenen Raum gelagert wird.
- Um die Feuergefahr herabzusetzen, den Motor, den Schalldämpfer, den Batteriekasten und das Kraftstofflager von Gras, Laub und übermäßigem Schmierfett freihalten.
- Den Grasfänger häufig auf Abnutzung oder Verschleiß prüfen.
- Abgenutzte oder beschädigte Teile zur Sicherheit immer sofort ersetzen.
- Falls der Kraftstofftank entleert werden muß, sollte dies im Freien getan werden.
- Bei Maschinen mit mehreren Mähmessern ist Vorsicht geboten, da beim Drehen eines Mähmessers die anderen Mähmesser sich womöglich mit drehen.
- Falls die Maschine geparkt, gelagert oder unbeaufsichtigt zurückgelassen werden soll, das Mähwerk absenken, es sei denn, es wird eine verlässliche, mechanische Verriegelung verwendet.

 **WARNUNG:** Bei der Vorbereitung, dem Transport, der Einstellung und der Vornahme von Reparaturen immer das Zündkerzenkabel abziehen und so anbringen, daß es nicht mit der Zündkerze in Kontakt kommen kann, um das unbeabsichtigte Anspringen des Motors zu verhindern.

A IDENTIFICATION DES PIÈCES

1. Haut du récipient
2. Bas du récipient
3. Goulotte supérieure
4. Goulotte inférieure
5. Carter
6. Indicateur de Sac plein
7. Loquet de la goulotte supérieure
8. Loquets de la goulotte inférieure
10. Groupe de support

B GROUPE SUPPORT

- a. Votre tracteur est équipé de quatre (4) boulons à épaulement à l'arrière de l'attelage ; il vous suffit de suspendre le groupe de support à ces boulons (1).
- b. Pour démonter le groupe de support, tirez vers l'extérieur la cheville de butée (2) de façon à pouvoir soulever le groupe de support et à le démonter de l'attelage.

C GROUPE CARTER (1) SUR GROUPE DE SUPPORT (2)

REMARQUE : Pour faciliter le montage, vous pouvez vous faire aider d'une autre personne pour monter le carter du tracteur.

- a. Placez le carter sur le sol, derrière le tracteur de la façon illustrée.
- b. Soulevez et faites pivoter le carter pour l'aligner sa cheville avec le groupe de support.
- c. Faites glisser le carter vers le bas sur le groupe de support.

D GROUPE DU RÉCIENT

- a. Placez la moitié inférieure (1) dans la moitié supérieure (2).
- b. Mettez un pied dans la moitié inférieure et soulevez la moitié supérieure pour la rapprocher de la moitié inférieure.
- c. Serrez fortement les deux moitiés l'une contre l'autre tout en soulevant le haut pour verrouiller le tout en place de la façon illustrée.

IMPORTANT : AVANT DE VERROUILLER LES LANGUETTES (3), LES BORDS MUNIS DE CROCHET DES DEUX MOITIÉS DOIVENT SE CHEVAUCHER POUR FORMER UN SCEAU, DE LA FAÇON ILLUSTRÉE.

- d. Répétez les mêmes opérations avec les autres récipients.

VÉRIFICATION DU MONTAGE : Ecrasez les côtés de la moitié inférieure du récipient et vérifiez qu'il n'y ait pas d'interstice entre les deux moitiés supérieure et inférieure. S'il y a un interstice, déverrouillez les languettes, séparez les deux moitiés et répétez la procédure.

E MONTAGE DU RÉCIENT

- a. Montez d'abord un récipient du côté gauche (1). Montez l'autre récipient du côté droit (2).

REMARQUE : Le bord gauche du récipient de droite doit toujours chevaucher le bord droit du récipient de gauche du support central(3).

- b. Refermez le carter et verrouillez la poignée de verrouillage (4) sur le tube de support central (3).

F FIXATION DE LA GOULOTTE INFÉRIEURE

- a. Faites monter et tenez fermement l'écran déflecteur (1) en position verticale.
- b. Placez la fente de la goulotte inférieure sur la languette (2) du pont de la tondeuse et placez la goulotte inférieure sur l'ouverture du pont de la façon illustrée.
- c. Accrochez le loquet arrière (3) dans le trou de la bride à l'arrière de la tondeuse.
- d. Accrochez le loquet avant (4) dans le trou de la languette à l'avant du pont de la tondeuse.

PRUDENCE : Ne démontez pas l'écran déflecteur (1) de la tondeuse. Faites monter l'écran sans le lâcher lorsque vous fixez la goulotte inférieure en l'appuyant contre la goulotte pendant les opérations.

G GOULOTTE SUPÉRIEURE

- a. Abaissez la tondeuse dans sa position de coupe la plus basse.
- b. Montez la goulotte supérieure (1) en introduisant l'extrémité recourbée dans le trou à l'arrière du carter (2).
- c. Poussez vers l'intérieur et faites tourner la goulotte supérieure jusqu'à ce qu'elle soit alignée avec la goulotte inférieure (3).
- d. Alignez les cannelures (4) de la goulotte inférieure avec les fentes (4) de la goulotte supérieure et enfillez-les.
- e. Fixez solidement le loquet en caoutchouc (5) en accrochant le trou du loquet dans le goujon du loquet(6).

(FR)

TRUCS POUR AMÉLIORER LE RAMASSAGE

Suivez le mode d'emploi de la tondeuse qui accompagne le mode d'emploi de votre tracteur.

Vérifiez si la tondeuse est bien à niveau afin d'obtenir de meilleures performances de coupe.

Lorsque vous actionnez votre bac de ramassage sur une pelouse sur laquelle vous n'avez jamais utilisé aucun type de bac de ramassage, vous ramassez des brindilles et des débris accumulés depuis longtemps. La quantité ramassée et la durée de l'opération risquent de durer plus longtemps que par la suite lorsque vous utiliserez régulièrement votre bac de ramassage.

- Réglez toujours la manette des gaz au maximum lors du ramassage.
- Sélectionnez un rapport assez bas pour avoir de meilleures performances de coupe, une coupe de qualité et de bonnes performances de ramassage.

REMARQUE : Selon les conditions vous devrez parfois faire se faire chevaucher la largeur des coupes.

- a. Si l'herbe est très haute, vous devrez tondre deux fois. La première fois coupez assez haut, la deuxième coupez à la hauteur voulue.
- b. Utilisez le côté gauche de la tondeuse pour débroussailler.
- c. Vous pouvez placer des sacs poubelle en plastique dans les récipients de ramassage pour éliminer plus facilement les déchets. Pour démonter les sacs poubelle une fois pleins:
 - a. Dégagez les lames, passez au point mort, engagez le frein à main et arrêtez le moteur.
 - b. Soulevez le siège. Décrochez le carter et soulevez-le.
 - c. Démontez un récipient à la fois en le saisissant par les poignées, en le tirant vers l'arrière et en le sortant des glissières.
 - d. Posez le récipient sur le sol, fermez et fixez soigneusement le haut du sac poubelle.
 - e. Renversez le récipient sur le côté et faites glisser le sac plein hors du récipient.
 - f. Montez un nouveau sac poubelle en faisant passer le bord par-dessus le rebord supérieur du récipient.
 - g. Répétez les mêmes opérations avec les autres récipients.
 - h. Remontez les récipients en veillant à ce que le récipient de droite chevauche celui de gauche sur les supports centraux.
 - j. Refermez le carter et verrouillez les loquets sur les tubes de support centraux.

- Evitez de tondre l'herbe humide ou tôt le matin lorsque la rosée est encore abondante. Les brins d'herbe cueillis dans ces conditions sont collants et en adhérant aux parois de la voie de passage provoquent des colmatages.

- Votre bac de ramassage est équipé d'un indicateur de sac plein. Le mouvement de la roue augmente au fur et à mesure que le sac se remplit. La roue commence à tourner de plus en plus vite juste avant que le sac ne soit complètement plein. Lorsque la roue s'arrête, les sacs sont pleins et les goulottes sont colmatées.

REMARQUE : Pour éviter le colmatage des goulottes, vérifiez/vidiez les sacs lorsque la roue accélère. Avec l'expérience vous apprendrez à vider les sacs au bon moment.

- Faites très attention à ne pas endommager les pièces et à ce que la roue tourne librement au démarrage.

- Si le bac de ramassage n'arrive pas à ramasser l'herbe coupée ou les feuilles, c'est que le système est colmaté ou que les récipients du bac de ramassage sont pleins. Dans ce cas le mouvement de l'indicateur de sac plein s'arrête.

- a. Dégagez les lames, passez au point mort, engagez le frein à main et arrêtez le moteur.
 - Soulevez le siège. Décrochez le carter et soulevez-le.
 - Faites sortir les récipients et éliminez les brins d'herbe.
 - Remettez en place les récipients, refermez le carter et le loquet.
- b. Déverrouillez les goulottes et vérifiez si elles sont colmatées.
 - Enlevez tous les débris des goulottes.
 - Remontez et verrouillez les goulottes.
- c. Vérifiez si l'indicateur de sac plein n'est pas colmaté.
 - L'orifice de passage de l'air doit rester libre de débris. Introduisez doucement une brindille ou un petit bout de fil de fer dans le passage pour le libérer.



PRUDENCE

- **N'utilisez pas la tondeuse si l le bac de ramassage est mal monté.**
- **Dégagez les lames et arrêtez le moteur avant de descendre du siège du tracteur pour vider les récipients, libérer les goulottes, etc..**
- **Refermez le carter avant de démarrer.**
- **Dégagez la tondeuse lorsque vous traversez des allées ou des surfaces gravillonnées ou des endroits où la projection d'objets risque de provoquer un accident.**
- **N'essayez pas d'aspirer les boîtes en fer car elles risquent de se transformer en projectiles dangereux.**

RECOMMANDATIONS GÉNÉRALES

Respectez toujours les mesures de sécurité pour effectuer les opérations d'entretien.

- Avant l'usage, vérifiez toujours l'absence de dispositifs de fixation lâches.
- Nettoyez à fond l'appareil après l'usage.

ENTRETIEN DES LAMES

Pour avoir de meilleurs résultats, les lames de la tondeuse doivent être affûtées. Remplacez les lames faussées ou endommagées.

- Suivez les instructions d'ENTRETIEN DES LAMES qui accompagnent le mode d'emploi de votre tracteur.

PRUDENCE: AVANT D'EFFECTUER UNE QUELCONQUE OPÉRATION D'ENTRETIEN, DE DÉPANNAGE OU DE RÉGLAGE

- Enfoncez la pédale de frein et engagez le frein à main.
- Placez le levier de vitesse/de commande du mouvement au point mort (N).
- Placez la commande de débrayage sur la position « DÉSENGAGÉE ».
- Faites tourner la clé de contact sur OFF.
- Vérifiez si les lames et les parties en mouvement sont complètement arrêtées.
- Débranchez les fils des bougies des bougies et placez-les à l'écart des bougies.

PRUDENCE: Les composants du bac de ramassage sont sujets à l'usure, à la détérioration et aux dégâts ce qui risque de nuire aux pièces en mouvement ou de provoquer la projection d'objets. Vérifiez fréquemment les composants et remplacez par des pièces détachées originales en cas de besoin.

RANGEMENT

Avant de ranger le bac de ramassage pour longtemps, nettoyez-le soigneusement, éliminez la saleté, l'herbe, les feuilles, etc.. Rangez-le dans un endroit propre et sec.

PRUDENCE: Ne laissez pas de feuilles dans les récipients du bac de ramassage. Videz les récipients après l'usage et avant de ranger le bac de ramassage. En ne le faisant pas vous exposez à un risque de combustion spontanée susceptible de provoquer un incendie.

RÈGLES DE SÉCURITÉ

Conseils pour l'utilisation en toute sécurité des tracteurs de pelouse

ATTENTION: Ce tracteur de pelouse est capable d'amputer mains ou pieds et de projeter des objets. L'inobservation des règles de sécurité ci-dessous peut être la cause de blessures sérieuses voire mortelles.

I. PRÉCAUTIONS D'UTILISATION

- Lisez toutes les instructions soigneusement. Familiarisez vous avec les commandes pour apprendre à utiliser efficacement cette machine.
- Ne jamais autoriser les enfants ou les personnes qui n'auraient pas lu ce manuel d'utilisation à utiliser ce tracteur de pelouse. La réglementation locale peut de plus interdire l'utilisation de telle machine au-dessous d'un certain âge.
- Ne jamais tondre à proximité de personnes, d'enfants ou d'animaux.
- Ne pas oublier que tout utilisateur ou propriétaire d'un tracteur de pelouse est responsable des accidents ou dommages causés à une personne ou à ses biens.
- Ne transportez pas de passagers.
- Tous les utilisateurs doivent rechercher et obtenir une formation personnelle sérieuse et pratique qui devra insister :
 - sur la nécessité absolue d'être attentif et concentré lorsqu'on utilise un tracteur de pelouse,
 - le fait qu'un tracteur de pelouse glissant sur une pente ne pourra pas être arrêté en appuyant simplement sur la pédale de frein.

Les raisons principales de cette perte de contrôle sont :

- a) l'adhérence insuffisante des pneus,
- b) une conduite trop rapide,
- c) un freinage insuffisant,
- d) un tracteur de pelouse inadaptée aux conditions d'utilisation,
- e) une mauvaise appréciation des contraintes résultant de la nature du terrain à entretenir et, tout particulièrement de la présence de pentes sur ce terrain,
- f) l'attelage incorrect d'une remorque et la mauvaise répartition des masses.

II. PRÉPARATION

- Pour réduire le risque d'incendie – avant l'usage, lorsque vous faites le plein et chaque fois que vous cessez de tondre – inspectez le tracteur et éliminez tous les débris accumulés sur le tracteur, la tondeuse et derrière les protections.
- Pendant la tonte, ne porter que des chaussures solides et des pantalons longs. Ne jamais tondre pieds nus ou chaussé de sandales.
- Contrôlez systématiquement et soigneusement l'état de la surface à tondre et retirez tous les objets susceptibles de devenir des projectiles lors du passage de la machine.
- ATTENTION – Le carburant est très inflammable.
 - Pour transporter ou stocker le carburant, n'utiliser exclusivement que des récipients conçus et approuvés pour ces usages.
 - Toujours remplir le réservoir de carburant à l'air libre et ne pas fumer pendant le remplissage.
 - Remplir le réservoir de carburant avant de démarrer le moteur. Ne jamais retirer le bouchon du réservoir et ne jamais rajouter de carburant tant que le moteur est en fonctionnement ou qu'il est encore chaud.
 - Si du carburant a été renversé, ne pas tenter de démarrer le tracteur, mais le pousser hors de la zone où le carburant a été renversé et éviter de créer une quelconque source de chaleur avant que les vapeurs de carburant ne se soient dissipées.
 - Refermer avec précautions les bouchons des réservoirs ou des récipients contenant du carburant pour garantir la sécurité.
- Remplacer les pots d'échappement défectueux.
- Avant d'utiliser un tracteur de pelouse, toujours vérifier que les lames, les boulons de lame et le carter de coupe ne sont pas usés ou endommagés. Toujours remplacer les lames et les boulons simultanément de façon à éviter tout problème d'équilibrage.

(FR)

- Sur les tracteurs de pelouse multi-lames, ne pas oublier que la rotation d'une lame peut entraîner celle des autres.

III. UTILISATION

- Ne jamais démarrer un moteur à l'intérieur dans un espace confiné où des émanations dangereuses de monoxyde de carbone pourraient s'accumuler.
- Tondre uniquement à la lumière du jour ou avec une bonne lumière artificielle.
- Avant de tenter de démarrer le moteur, s'assurer que les lames sont débrayées et que la boîte de vitesses est au point mort.
- Ne jamais utiliser un tracteur de pelouse sur des pentes supérieures à 5°.
- Se souvenir qu'il n'existe pas de pente « sûre ». Conduire sur des pentes herbeuses demande une attention particulière. Afin d'éviter tout risque de retournement du tracteur, appliquer avec soin les consignes suivantes :
 - ne pas s'arrêter ou démarrer brusquement dans une pente,
 - embrayer doucement et ne jamais arrêter le tracteur de pelouse dans une pente, et plus particulièrement dans le sens de la descente.
 - conduire toujours lentement dans les pentes, tout comme dans les virages serrés,
 - faire attention aux irrégularités du terrain,
 - ne jamais tondre en travers d'une pente, à moins que le tracteur de pelouse n'ait été spécialement conçu à cet effet.
- Faire attention lors de la traction de charges ou lors de l'utilisation d'équipements lourds.
 - N'utiliser que des points d'attelage approuvés.
 - Limiter les charges à celles qu'il est possible de contrôler avec sécurité.
 - Ne pas tourner trop brusquement. Rester très prudent lors des conduites en marche arrière.
 - Utiliser les masses de roues ou les contrepoids lorsqu'ils sont scellés dans ce manuel d'utilisation.
- Faire attention à la circulation lorsque l'on doit utiliser le tracteur près d'une route ou lorsqu'on doit traverser une route.
- Toujours stopper la rotation des lames lorsqu'on doit traverser une surface autre que du gazon.
- Lors de l'utilisation d'accessoires, ne jamais les utiliser ou les déposer à proximité de quelqu'un.
- Ne jamais utiliser le tracteur à gazon avec un déflecteur ou protecteur défectueux, ou sans les dispositifs de protection en place.
- Conserver le régime de rotation du moteur et ne jamais le faire fonctionner au dessus de son régime nominal car cela peut être dangereux.
- Avant de quitter le siège :
 - débrayer les lames et abaisser le carter de coupe,
 - mettre le levier de vitesse au point mort et enclencher le frein de parking,
 - arrêter le moteur et retirer les clés,
- Débrayer les lames, arrêter le moteur, et débrancher le (s) fil (s) de (s) bougie (s) d'allumage ou retirer la clef de contact :
 - avant de retirer l'insert broyeur ou avant de retirer la goulotte d'éjection pour la nettoyer.
 - avant de contrôler, nettoyer ou travailler sur le carter de coupe,
 - avant de retirer un objet coincé dans le tracteur de pelouse. Dans ce cas inspecter aussitôt la machine pour s'assurer qu'elle n'est pas endommagée et, si nécessaire, faire ou faire faire impérativement les réparations avant de la remettre en marche et de la faire fonctionner à nouveau.
 - si la machine commence à vibrer anormalement. Dans ce cas vérifier immédiatement le carter de coupe.
- Débrayer systématiquement les lames quand le tracteur n'est pas utilisé ou quand il doit être transporté.
- Débrayer les lames puis arrêter le moteur :
 - avant de faire le plein d'essence,
 - avant d'enlever le collecteur,
 - avant de régler la hauteur de coupe à moins que ce réglage ne puisse s'effectuer du poste de conduite.
- Lorsque la tonte est terminée, réduire les gaz avant de couper le moteur et, si le tracteur de pelouse est équipée d'un robinet d'arrêt du carburant, fermer celui-ci.

IV. ENTRETIEN ET ENTREPOSAGE

- S'assurer que tous les écrous, boulons et vis sont bien serrés pour être certain que l'équipement est prêt à fonctionner de nouveau, dans de bonnes conditions.
- Ne jamais entreposer le tracteur de pelouse avec du carburant dans le réservoir, dans un bâtiment où les vapeurs pourraient s'enflammer au contact d'une flamme ou d'une étincelle de l'allumage.
- Attendre le refroidissement du moteur avant d'entreposer la tondeuse autoportée dans un espace fermé.
- Pour supprimer les risques d'incendie s'assurer que le moteur, le pot d'échappement, le logement de la batterie et du réservoir de carburant ne sont pas encrassés par de l'herbe, des feuilles ou des surplus de graisse.
- Vérifier souvent le bac ou le collecteur pour vous assurer qu'il est propre et qu'il n'est pas endommagé.
- Pour plus de sécurité, remplacer systématiquement les pièces usées ou détériorées.
- Si le réservoir de carburant doit être vidangé, procéder à cette opération à l'extérieur.
- Sur les tracteurs de pelouse multi-lames, ne pas oublier que la rotation d'une lame peut entraîner celle des autres.
- Quand le tracteur de pelouse est garé, entreposé ou tout simplement inutilisé, régler la hauteur de coupe dans sa position la plus basse.
- **ATTENTION:** Toujours débrancher le fil de la bougie d'allumage et le placer de telle sorte qu'il ne puisse, en aucun cas, entrer en contact avec la bougie afin de prévenir les démarrages accidentels, lors du montage, du transport, des réglages ou des réparations.

A IDENTIFICACIÓN DE LAS PARTES

1. Parte superior contenedor
2. Fondo contenedor
3. Tubo superior
4. Tubo inferior
5. Tapa
6. Indicador bolsa llena
7. Gancho tubo superior
8. Ganchos tubo inferior
10. Conjunto de soporte

B CONJUNTO DE SOPORTE

- a. Su tractor ya tiene cuatro (4) pernos de tope instalados en la barra de enganche trasera, hay que enganchar simplemente el conjunto de soporte a los pernos (1).
- b. Para quitar el conjunto de soporte, tirar hacia afuera la escuadra de fijación (2) lo suficiente para permitir levantar y retirar el conjunto de soporte de la barra de enganche.

C CONJUNTO TAPA (1) AL CONJUNTO DE SOPORTE (2)

NOTA: Para facilitar el ensamblaje, es preferible tener la asistencia de otra persona para montar el conjunto tapa al tractor.

- a. Colocar el conjunto de la tapa en el suelo detrás del tractor.
- b. Levantar y girar la tapa para alinear la escuadra de la tapa con el conjunto de soporte.
- c. Deslizar el conjunto de soporte hacia abajo hasta el conjunto de soporte.

D ENSAMBLAJE CONTENEDOR

- a. Colocar la mitad inferior (1) al interior de la mitad superior (2).
- b. Colocar un pie al interior de la mitad inferior y levantar la mitad superior para unir la mitad inferior.
- c. Presionar las mitades de modo firme mientras se levanta la parte superior para colocarla en su sitio como mostrado.

IMPORTANTE: ANTES DE FIJAR LAS LENGÜETAS (3), LOS BORDES DE GANCHO EN LAS DOS MITADES TIENEN QUE ESTAR UNO SOBRE EL OTRO PARA FORMAR UN CIERRE COMO MOSTRADO EN LA FIGURA.

- d. Repetir para los otros contenedores.

CONTROL DEL ENSAMBLAJE: Apretar los lados de la mitad inferior del contenedor y controlar que no haya distancia entre las mitades superior e inferior. Si hay distancia, desenganchar las lengüetas para separar las mitades del contenedor y repetir las instrucciones de arriba.

E INSTALACIÓN DEL CONTENEDOR

- a. Instalar primero un contenedor en el lado izquierdo (1). Instalar el otro contenedor en el lado derecho (2).

NOTA: El borde izquierdo del contenedor derecho tiene que cubrir siempre el lado derecho del contenedor izquierdo en el soporte central (3).

- b. Cerrar la tapa y fijar la manija del gancho (4) sobre el tubo del soporte central (3).

F UNIR EL TUBO INFERIOR

- a. Alzar y mantener la tapa deflectora (1) en la posición recta.
- b. Colocar la muesca en el tubo inferior sobre la lengüeta (2) en la cubierta del cortacésped y colocar el tubo inferior sobre la cubierta como mostrado.
- c. Enganchar el gancho trasero (3) en el orificio de la placa en la parte trasera de la cubierta del cortacésped.
- d. Enganchar el gancho frontal (4) en el orificio de la lengüeta en la parte frontal de la cubierta del cortacésped.

ADVERTENCIA: No quitar la tapa deflectora (1) del cortacésped. Alzar y mantener la tapa cuando se conecta el tubo inferior y permitirle que se apoye en el tubo mientras funciona.

G TUBO SUPERIOR

- a. Bajar el cortacésped hasta su posición de corte más baja.
- b. Montar el tubo superior (1) introduciendo la parte terminal curvada en el orificio en la parte trasera de la tapa (2).
- c. Empujar y girar el tubo superior hasta que esté alineado con el tubo inferior (3).
- d. Alinear los realces (4) en el tubo inferior con las muescas de alineación (4) en el tubo superior y deslizarlos juntos.
- e. Fijarlos con el gancho de goma (5) enganchar el orificio en el gancho sobre la clavija del gancho (6).

ES CONSEJOS PARA MEJORAR EL funcionamiento DEL CAPTADOR:

Seguir las instrucciones de funcionamiento del cortacésped en el manual del usuario del tractor.

Cerciorarse de que el cortacésped esté correctamente nivelado para tener el mejor resultado de corte.

Cuando se pasa el captador de hierba por un césped en el que no se ha usado por mucho tiempo el equipo para recoger hierba y hojas, se recogerán pajas y escombros que se han acumulado durante mucho tiempo. La cantidad recogida y el tiempo total de funcionamiento serán menores si se usa el captador de hierba regularmente.

- Mantener siempre la maneta a la máxima velocidad cuando se recoge con el captador.
- Seleccionar un engranaje lo bastante bajo para tener un resultado óptimo de corte con el cortacésped y un buen resultado de recogida.

NOTA: Puede ser necesario superponer la anchura del corte para adaptarse a las propias condiciones.

- Si la hierba es extremadamente alta, habrá que cortarla dos veces. La primera vez relativamente alta, la segunda vez hasta la altura deseada.
- Usar el lado izquierdo del cortacésped para desbastar.
- Es posible colocar bolsas de plástico para la basura al interior de los contenedores del depósito de hierba para facilitar la eliminación de los residuos. Para quitar las bolsas de plástico para la basura cuando están llenas:
 - a. Desenganchar las hojas, poner en neutro, poner el freno de estacionamiento y apagar el motor.
 - b. Levantar el asiento. Quitar el gancho y levantar la tapa.
 - c. Quitar un contenedor a la vez haciendo las manijas del contenedor y tirando hacia la parte trasera, fuera de las guías del tubo.
 - d. Con el contenedor apoyado en el suelo, cerrar y fijar la parte superior de la bolsa del césped de plástico.
 - e. Volcar el contenedor sobre su lado y extraer la bolsa llena del contenedor.
 - f. Instalar una nueva bolsa de césped de plástico con los bordes de la bolsa plegados sobre el labio superior del contenedor.
 - g. Repetir para los otros contenedores.
 - h. Volver a instalar los contenedores asegurándose de que el contenedor derecho cubra el contenedor izquierdo el los soportes centrales.
 - j. Cerrar la tapa y fijar los ganchos sobre los tubos de soporte centrales.
- Evitar cortar hierba mojada o por la mañana mientras el rocío todavía es pesada. La hierba recogida en estas condiciones tiende a ser pegajosa y adherir a las paredes del tubo de paso causando obstrucciones.
- Tu saco está dotado de un indicador de saco lleno. El movimiento de la rueda aumenta mientras las bolsas van llenándose. La rueda girará más rápidamente justo antes de que las bolsas se llenen completamente. Cuando la rueda se para, indica que las bolsas están llenas y los tubos están obstruidos.

NOTA: Para ayudar a prevenir la obstrucción de los tubos, hay que controlar y/o vaciar las bolsas cuando la rueda gira rápidamente. Con la experiencia se aprenderá cuál es el momento ideal para vaciar las bolsas.

- Hay que tener cuidado a no dañar las partes y que la rueda gire libremente al principio de cada utilización.
- Si el captador no logra recoger la hierba cortada o las hojas, esto indica que el sistema está atascado o que los contenedores del captador de hierba están llenos. Normalmente esto se indica a través de la parada del movimiento del indicador de bolsa llena.
 - a. Desenganchar las hojas, poner en neutro, poner el freno de estacionamiento y apagar el motor.
 - Levantar el asiento. Quitar el gancho y levantar la tapa.
 - Extraer los contenedores y echar lo que se ha recogido.
 - Volver a colocar los contenedores, cerrar la tapa y el gancho.
 - b. Desenganchar los tubos y controlar si hay obstrucciones.
 - Quitar todos los residuos presentes en los tubos.
 - Volver a ensamblar y enganchar los tubos.
 - c. Controlar que el indicador de la bolsa llena no esté obstruido.
 - El orificio para el paso del aire tiene que estar libre de residuos. Introducir con cuidado una ramita o un alambre pequeño en el paso para desobturar.

ADVERTENCIA

- **No hacer funcionar el cortacésped con el depósito de hierba parcialmente instalado.**
- **Desenganchar las hojas y apagar el motor antes de abandonar el asiento del tractor para vaciar los contenedores, desobstruir los tubos, etc.**
- **Cerrar la tapa antes de empezar.**
- **Desconectar el cortacésped cuando se cruzan caminos para los coches o superficies con grava y otras áreas donde objetos pueden salir disparados y representar un peligro.**
- **No intentar limpiar con aspiradora bidones u otros proyectiles potencialmente peligrosos.**

RECOMENDACIONES GENERALES

Cuando se realiza cualquier operación de mantenimiento hay que seguir siempre las normas de seguridad.

- Antes de cualquier uso controlar que no hayan cierres sueltos.
- Limpiar bien la unidad después de cada uso.

CUIDADO DE LAS HOJAS

Para un mejor resultado las hojas del cortacésped han de mantenerse afiladas. Sustituir las hojas plegadas o dañadas.

- Véase las instrucciones CUIDADO DE LAS HOJAS en el manual de las instrucciones del tractor.

⚠ ADVERTENCIA: ANTES DE REALIZAR CUALQUIER OPERACIÓN DE MANTENIMIENTO, SERVICIO O AJUSTE

- **Presionar el pedal del embrague y freno hasta el fondo y poner el freno de estacionamiento.**
- **Colocar la palanca de mando del cambio/movimiento en la posición neutra (N).**
- **Colocar el mando del cambio en la posición "DESACOP-LADO".**
- **Girar a llave de encendido en la posición "OFF".**
- **Asegurarse de que las hojas y todas las partes de movimiento estén completamente paradas.**
- **Desconectar el cable(s) de la bujía de encendido y colocar el cable en un lugar donde no pueda entrar en contacto con la bujía.**

⚠ ADVERTENCIA: Los componentes del captador están sujetos a desgaste, daños y deterioro, hecho que puede dejar expuestas las partes en movimiento o permitir que los objetos salgan disparados. Controlar los componentes frecuentemente y sustituirlos con las partes recomendadas por el fabricante, cuando sea necesario.

ALMACENAJE

Cuando llega la hora de guardar el captador de hierba por un largo periodo de tiempo, hay que limpiarlo bien, eliminar toda suciedad, hierba, hojas, etc. Guardarlo en un lugar limpio y seco.

⚠ ADVERTENCIA: No dejar hierba en los contenedores. Vaciar los contenedores depuse de cada uso antes de guardarlos. No observar esta regla puede causar combustión espontánea que puede desarrollarse en un incendio.

REGLAS DE SEGURIDAD

Prácticas de Operación Seguras para las Segadoras Conducibles

IMPORTANTE: Esta máquina cortadora es capaz de amputar las manos y los pies de lanzar objetos. Si no se observan las instrucciones de seguridad siguientes se pueden producir lesiones graves o la muerte.

I. INSTRUCCIÓN

- Lea todas las instrucciones cuidadosamente. Familiarícese completamente con los controles y con el uso adecuado del equipo
- Nunca permita que los niños o las personas sin los conocimientos adecuados operen la segadora. Leyes locales pueden restringir la edad del operador.
- Asegúrese que el área esté despejada de personas antes de segar, especialmente de niños o animales domésticos.
- El operador o el usuario es el responsable por accidentes o daños ocurridos a otras personas o a su propiedad.
- No llevar pasajeros.
- Todos los conductores deben tratar de obtener instrucciones profesionales y prácticas. Estas instrucciones deberán acentuar:
 - la necesidad de tener cuidado y de concentrarse cuando este operando las segadoras conducibles;
 - el control de una máquina conducible cuando este deslizando sobre una pendiente no será recobrado con la aplicación del freno.

Las razones principales de la pérdida de control son:

- a) apretón insuficiente del volante;
- b) conducimiento demasiado rápido;
- c) frenazo inadecuado;
- d) este tipo de máquina es inadecuado para el trabajo;
- e) falta de conciencia de las condiciones del terreno, especialmente de las pendientes;
- f) distribución incorrecta del enganchado y de la carga.

II. PREPARACIÓN

- Para minimizar el riesgo de incendio, antes de usar, al recargar de combustible y al final de cada sesión de corte de césped, inspeccione y quite cualesquiera restos y escombros que se hayan acumulado en el tractor, la cortadora de césped y la parte de atrás de todas las cubiertas de protección.
- Cuando este segando, siempre use zapatos adecuados y pantalones largos. No opere el equipo sin zapatos o usando sandalias.
- Inspeccione cuidadosamente el área en donde se va a utilizar el equipo y remueva los obstáculos que puedan ser lanzados por la máquina.
- **ADVERTENCIA** - los combustibles son muy inflamables.
 - Almacene el combustible en envases especialmente diseñados para este propósito.
 - Agregue combustible a la máquina afuera y no fume cuando este agregando combustible.
 - Agregue el combustible antes de arrancar el motor. Nunca remueva la tapa del depósito de gasolina o agregue combustible con el motor fusionando o cuando el motor este caliente.
 - Si derrama combustible, no intente arrancar el motor pero mueva la máquina lejos del área de derrame y no arranque el motor hasta que los vapores se hallan evaporado.
 - Vuelva a poner todas las tapas de los tanques y de los envases con seguridad.
- Reemplace los silenciadores defectuosos.

(ES)

- Antes de usarlo, siempre inspeccione visualmente para ver que las cuchillas, los pernos de las cuchillas y el conjunto cortador no estén gastados o dañados. Reemplace las cuchillas y los pernos gastados o dañados de dos en dos para mantener el equilibrio.
- En máquinas de más de una cuchilla, tenga cuidado puesto que la rotación de una cuchilla puede causar la rotación de otras cuchillas.

III. OPERACIÓN

- Nunca haga funcionar la máquina dentro de un área cerrada donde gases peligrosos de óxido de carbono pueden acumularse.
- Siegue solamente con luz de día o con una buena luz artificial.
- Antes de tratar de empezar el motor, desenganche todos los embragues de accesorio de la cuchilla y mueva el embrague en la posición de neutro.
- Nunca utilice en pendientes de más de 5°.
- Acuérdesse que no hay pendiente segura. Hay que tener mucho cuidado cuando se quiere desplazar sobre pendientes de césped. Para protegerse contra vuelco;
 - evite arrancar o parar cuando vaya cuesta arriba o cuesta abajo;
 - enganche el embrague lentamente, siempre guarde la máquina en engranaje, especialmente cuando se este desplazando cuesta abajo;
 - las velocidades de la máquina deben ser mantenidas bajas cuando este sobre las pendientes o cuando haga vueltas estrechas.
 - fíjese si hay agujeros, surcos o otros peligros escondidos;
 - nunca siegue al través de la cara de la pendiente, a menos que la segadora este diseñada para este propósito.
- Tenga mucho cuidado cuando este tirando cargas o cuando este usando un equipo pesado.
 - Use solamente puntos de enganche de la barra de tracción.
 - Limite carga a esos que pueda controlar con seguridad.
 - No haga vuelta rápidas. Tenga cuidado cuando vaya marcha atrás.
 - Use contrapesos o pesos de rueda cuando este sugerido en su libro de instrucciones.
- Tenga un cuidado extra cuando atravesase o se acerque de carreteras.
- Pare la rotación de las cuchillas cuando ataviase superficies otras que césped.
- Cuando use cualquier accesorio, nunca directa la descarga de materiales hacia personas que estén cerca y no permita que nadie cerca de la máquina cuando esta funcionando.
- Nunca use la máquina sin la protección contra la descarga en su sitio
- Nunca cambie los ajustes del regulador o no haga que el motor tenga una velocidad excesiva.
- Antes de dejar la posición del operador:
 - desenganche la fuerza motriz y baje los accesorios;
 - cambie a neutro y enganche el freno de estacionamiento;
 - pare el motor y remueva la llave.
- Desenganche la transmisión a los accesorios, pare el motor, y desconecte el (los) cable (s) de la bujía o remueva la llave de ignición
 - antes de limpiar bloqueos o desatranca del conducto;
 - antes de inspeccionar, limpiar o trabajar sobre la segadora;
 - después de golpear un objeto extraño. Inspeccione la segadora cuidadosamente, para verificar si hay daños y haga reparaciones antes de volver a arrancar y a operar el equipo;
 - si la máquina empieza a vibrar anormalmente (verifíquela inmediatamente).
- Desenganche la transmisión a los accesorios cuando haga el transporte o cuando no este en uso.
- Pare el motor y desenganche la transmisión a los accesorios
 - antes de agregar combustible;
 - antes de quitar el recogedor del césped;
 - antes de hacer ajustes de altura a menos que los ajustes pueden ser hechos de la posición del operador.
- Reduzca los ajustes de la aceleración durante el tiempo que el motor se apague, si el motor viene diseñado con una válvula de apagado, sierre el combustible cuando halla terminado de segar.

IV. MANTENIMIENTO Y ALMACENAMIENTO

- Guarde todos las tuercas, los pernos y los tornillos apretados para asegurarse que el equipo esta en condiciones de buena operación.
- Nunca guarde la máquina con combustible en el estanque de combustible dentro de un edificio en donde hay fuentes de ignición presente.
- Permita que ese enfríe el motor antes de guardarlo en algún lugar cerrado.
- Para reducir el riesgo de encendido, guarde el motor, el silenciador, el comportamiento de la batería limpios de césped, hojas, y de demasiado grasa.
- Verifique frecuentemente el recogedor del césped para ver si hay uso o deterioración.
- Para la seguridad reemplace las partes que estén usadas o dañadas.
- Si el tanque del combustible debe ser vaciado hágalo afuera.
- En máquinas de más de una cuchilla, tenga cuidado puesto que la rotación de una cuchilla puede causar la rotación de otras cuchillas.
- Cuando la máquina debe ser estacionada, almacenada o cuando debe ser dejada desatendida, baje el conjunto cortador a menos que una serradora mecánica es usada.
- **⚠ ADVERTENCIA:** Siempre desconecte el alambre de la bujía y póngalo donde no pueda entrar en contacto con la bujía, para evitar el arranque por accidente, durante la preparación, el transporte, el ajuste o cuando se hacen reparaciones.

A DESCRIZIONE DEI COMPONENTI

1. Coperchio del contenitore
2. Base del contenitore
3. Scivolo superiore
4. Scivolo inferiore
5. Coperchio
6. Indicatore di riempimento del sacco
7. Chiusura a scatto dello scivolo superiore
8. Chiusure a scatto dello scivolo inferiore
10. Struttura di sostegno

B STRUTTURA DI SOSTEGNO

- a. Il trattore è già provvisto di quattro bulloni con collare (4) installati sulla barra di trazione posteriore, è sufficiente attaccare la struttura di sostegno ai bulloni (1).
- b. Per togliere la struttura di sostegno tirare verso l'esterno sulla staffa di fermo (2) abbastanza per consentire alla struttura di sostegno di essere sollevata e tolta dalla barra di trazione.

C MONTARE LA STRUTTURA DEL COPERCHIO (1) SULLA STRUTTURA DI SOSTEGNO (2)

NOTA: Per semplificare l'operazione richiedere l'aiuto di un'altra persona per montare la struttura del coperchio sul trattore.

- a. Posizionare la struttura del coperchio sul terreno dietro al trattore come indicato.
- b. Sollevare e ruotare il coperchio per allineare la staffa del coperchio con la struttura di sostegno.
- c. Far scivolare la struttura del coperchio sulla struttura di sostegno.

D MONTAGGIO DEL CONTENITORE

- a. Posizionare la metà della base (1) nella metà del coperchio (2).
- b. Mettere un piede nella metà della base e sollevare la metà del coperchio finché non combacia con la metà della base.
- c. Premere bene le due metà mentre si solleva il coperchio facendolo scattare in posizione come indicato.

IMPORTANTE: PRIMA DI BLOCCARE LE LINGUETTE (3), I LATI AGGANCIATI SU ENTRAMBE LE METÀ DEVONO SOVRAPPORSI FINO A FORMARE UNA CHIUSURA A TENUTA COME INDICATO NEL RIQUADRO.

d. Ripetere per gli altri contenitori.

CONTROLLO DELLA STRUTTURA: Schiacciare i lati della metà inferiore del contenitore e controllare che non ci sia alcuno spazio tra la metà superiore e quella inferiore. Se compare uno spazio, sbloccare le linguette per separare le metà del contenitore e ripetere le istruzioni sopra.

E MONTAGGIO DEL CONTENITORE

- a. Prima installare un contenitore sul lato a sinistra (1). Installare l'altro contenitore a destra (2).

NOTA: Il lato a sinistra del contenitore a destra deve sempre essere sovrapposto al lato a destra del contenitore a sinistra sul sostegno centrale (3).

- b. Chiudere il coperchio e bloccare la maniglia a scatto (4) sul tubo di supporto centrale (3).

F ATTACCARE LO SCIVOLO INFERIORE

- a. Sollevare e tenere lo schermo deflettore (1) in posizione verticale.
- b. Posizionare la fessura nello scivolo inferiore sulla linguetta (2) sul coperchio della falciatrice e posizionare lo scivolo inferiore sull'apertura del coperchio come indicato.
- c. Agganciare la chiusura a scatto posteriore (3) nel foro della flangia sulla parte posteriore del coperchio della falciatrice.
- d. Agganciare la chiusura a scatto anteriore (4) nel foro della linguetta sulla parte anteriore del coperchio della falciatrice.

ATTENZIONE: Non togliere lo schermo deflettore (1) dalla falciatrice. Sollevare e tenere lo schermo mentre si attacca lo scivolo inferiore e lasciarlo appoggiato sullo scivolo durante l'uso.

G SCIVOLO SUPERIORE

- a. Abbassare la falciatrice nella posizione di taglio più bassa.
- b. Assemblare lo scivolo superiore (1) inserendo l'estremità curva nel foro nella parte posteriore del coperchio (2).
- c. Spingere e ruotare lo scivolo superiore finché non è allineato con lo scivolo inferiore (3).
- d. Allineare le borchie (4) sullo scivolo inferiore con le fessure di allineamento (4) sullo scivolo superiore e far scorrere fino ad unirle.
- e. Fissare con la chiusura a scatto di gomma (5) agganciando il foro nella chiusura a scatto sul perno di chiusura a scatto (6).

IT SUGGERIMENTI PER MIGLIORARE L'OPERAZIONE DI INSACCA-MENTO:

Seguire le istruzioni di funzionamento della falciatrice nel manuale utente del trattore.

Assicurarsi che la falciatrice sia livellata correttamente per ottenere i migliori risultati.

Durante l'utilizzo del sacco raccogliherba su un prato dove non sono state utilizzate le attrezzature per l'insaccamento di erba e foglie, si raccolgono la paglia e i detriti che si sono accumulati in lunghi periodi di tempo. La quantità raccolta e il tempo totale necessario per questa operazione potrebbero essere maggiori rispetto ad un utilizzo regolare del sacco raccogliherba.

- Mettere sempre la valvola a farfalla alla massima velocità durante l'insaccamento.
- Selezionare una marcia sufficientemente bassa da consentire un ottimo risultato del taglio della falciatrice, un taglio di buona qualità e un buon insaccamento.

NOTA: Potrebbe essere necessario sovrapporre la larghezza di taglio per adattarsi alle proprie condizioni.

• Se l'erba è molto alta, falciare due volte. La prima volta piuttosto alta, la seconda volta in base all'altezza desiderata.

• Usare il lato a sinistra della falciatrice per rifinire.

• È possibile inserire i sacchi della spazzatura di plastica nei contenitori del sacco raccogliherba per facilitare l'eliminazione dei detriti. Per togliere i sacchi della spazzatura di plastica quando sono pieni:

- a. Sganciare le lame, mettere in folle, mettere il freno di sosta e arrestare il motore.
- b. Sollevare il sedile. Sganciare e sollevare il coperchio.
- c. Togliere un contenitore alla volta afferrandone le maniglie e spingendo verso la parte posteriore, staccandolo dalle guide del tubo.
- d. Appoggiare il contenitore per terra, chiudere e fissare il coperchio del sacco di plastica.
- e. Rovesciare il contenitore sul lato e sfilare il sacco pieno dal contenitore.
- f. Installare un nuovo sacco con i bordi sistemati sul bordo superiore del contenitore.
- g. Ripetere per gli altri contenitori.
- h. Reinstallare i contenitori assicurandosi che il contenitore a destra sia sovrapposto al contenitore a sinistra sui sostegni centrali.
- j. Chiudere il coperchio e bloccare le chiusure a scatto sui tubi di supporto centrali.

• Non tagliare l'erba bagnata oppure al mattino quando la rugiada è ancora pesante. L'erba tagliata in queste condizioni tende ad essere appiccicosa e ad aderire alle pareti del percorso del flusso causando ostruzioni.

• Il dispositivo di insaccamento è provvisto di un indicatore di riempimento. Il movimento della ruota aumenta con il riempimento dei sacchi. La ruota girerà alla massima velocità appena prima che i sacchi siano completamente pieni. Quando la ruota si ferma, significa che i sacchi sono pieni e gli scivoli sono ostruiti.

NOTA: Per evitare che i tubi vengano ostruiti, controllare / svuotare i sacchi quando la ruota gira velocemente. Con l'uso si imparerà a capire quando è il momento di svuotare i sacchi.

• Prestare attenzione a non danneggiare i componenti e che la ruota giri liberamente quando si comincia.

• Se il sacco raccogliherba non raccoglie l'erba o le foglie, significa che si è verificata un'ostruzione nel sistema o che i contenitori del sacco raccogliherba sono pieni. Di solito ciò viene indicato dall'arresto dell'indicatore di riempimento del dispositivo di insaccamento.

- a. Sganciare le lame, mettere in folle, mettere il freno di sosta e arrestare il motore.
 - Sollevare il sedile. Sganciare e sollevare il coperchio.
 - Sfilare i contenitori ed eliminare l'erba tagliata.
 - Sostituire i contenitori, chiudere il coperchio e chiudere a scatto.
- b. Sganciare gli scivoli e controllare eventuali ostruzioni.
 - Togliere tutti i detriti dagli scivoli.
 - Riassemblare e chiudere a scatto gli scivoli.
- c. Verificare che l'indicatore di riempimento del dispositivo di insaccamento non si sia ostruito.
 - Il foro di passaggio dell'aria non deve contenere detriti. Inserire delicatamente un ramoscello o un filo metallico nel passaggio per pulire.



ATTENZIONE

- **Non utilizzare la falciatrice con il sacco raccogliherba installato in parte.**
- **Sganciare le lame e fermare il motore prima di scendere dal sedile del trattore per svuotare i contenitori, liberare gli scivoli, ecc.**
- **Chiudere il coperchio prima di cominciare.**
- **Disinnestare la falciatrice quando si attraversano delle strade oppure delle superfici di ghiaia e altre aree dove ci sono oggetti possibilmente pericolosi.**
- **Non cercare di aspirare lattine o altri potenziali proiettili pericolosi.**

RICOMANDAZIONI GENERALI

Rispettare sempre le norme di sicurezza durante qualsiasi operazione di manutenzione.

- Prima dell'uso controllare sempre che i dispositivi di fissaggio siano serrati.
- Pulire l'unità a fondo dopo ogni utilizzo.

MANUTENZIONE DELLE LAME

Per ottenere i migliori risultati le lame devono essere affilate. Sostituire le lame piegate o danneggiate.

- Seguire le istruzioni di MANUTENZIONE DELLE LAME nel manuale utente del trattore.

ATTENZIONE: PRIMA DI QUALSIASI OPERAZIONE DI MANUTENZIONE, ASSISTENZA O REGOLAZIONE:

- Rilasciare completamente il pedale della frizione e mettere il freno di sosta.
- Mettere la leva del cambio / comando di movimento in folle (N).
- Mettere il comando della frizione in posizione "FOLLE".
- Girare la chiave di accensione su "OFF" (spento).
- Assicurarsi che le lame e tutte le parti mobili siano completamente ferme.
- Scollegare il/i cavo/i della candela dalla/e candela/e e posizionare il cavo in un modo che non possa entrare in contatto con la candela.

ATTENZIONE: I componenti del sacco raccogliherba sono soggetti a usura, danno e deterioramento che potrebbero lasciare scoperte le parti mobili o causare il lancio di oggetti. Controllare frequentemente i componenti e se necessario sostituirli con componenti raccomandati dal produttore.

MAGAZZINAGGIO

Quando occorre mettere da parte il sacco raccogliherba per un certo periodo, pulirlo bene, togliere tutto lo sporco, l'erba, le foglie, ecc. Conservare in un luogo asciutto e pulito.

ATTENZIONE: Non lasciare erba nei contenitori del dispositivo di insaccamento. Svuotare sempre i contenitori dopo l'uso e prima di mettere da parte per evitare una possibile combustione spontanea che potrebbe causare un incendio.

NORME ANTINFORTUNISTICHE

Regole di sicurezza per trattorini da prato

ATTENZIONE: Questo trattorino tosaerba ha una potenza sufficiente ad amputare mani e piedi e a acchiappare oggetti. La mancata osservanza delle seguenti istruzioni antinfortunistiche potrebbe causare lesioni gravi e persino il decesso della vittima.

I. ADESTRAMENTO ALL'USO

- Studiare attentamente le istruzioni. Acquisire dimestichezza con i comandi e conoscere a fondo l'uso corretto dell'equipaggiamento.
- Non consentire mai l'uso dei trattorini tosaerba ai bambini né agli adulti che non abbiano dimestichezza con le istruzioni sull'uso. Le normative locali possono stabilire l'età minima per operare i trattorini tosaerba.
- Non operare mai con i tosaerba in caso vi siano persone, specialmente bambini, o animali domestici nella zona di lavoro.
- Tenere presente che in caso di incidenti, rischi o pericoli provocati a persone o a beni, la responsabilità dell'operato ricade sull'operatore, od utilizzatore.
- Non trasporta passeggeri.
- Ogni singolo conducente ha il dovere di procurarsi le istruzioni pratiche della professione e del settore. Tali istruzioni devono mettere in evidenza quanto segue:
 - la necessità di prestare la massima attenzione e di prendere le necessarie cautele durante l'uso dei trattorini tosaerba;
 - che se il trattorino scivola su un pendio, non se ne può riottenere il controllo premendo i freni.

Cause principali della perdita del controllo:

- a) insufficiente presa delle ruote;
- b) velocità di guida troppo elevata;
- c) freni inadeguati;
- d) macchinario di tipo non idoneo al compito;
- e) mancata comprensione degli effetti delle condizioni del terreno, specialmente dei pendii;
- f) traino o distribuzione del carico impropri

II. PREPARAZIONE

- Per ridurre il rischio di incendio - prima dell'uso mentre si fa il carico del carburante e alla fine di ogni operazione di taglio - ispezionare e togliere qualsiasi accumulo di sporco dal trattore, dal tosaerba e dietro a tutte le protezioni.
- Indossare sempre scarpe robuste da lavoro e pantaloni lunghi. Non usare i tosaerba a piedi nudi o indossando soltanto sandali.
- Controllare scrupolosamente l'area in cui verrà utilizzato l'equipaggiamento e togliere tutti gli oggetti che potrebbero venire scagliati dal macchinario.
- PERICOLO - La benzina è infiammabilissima.
 - Conservare il carburante in contenitori appositi.
 - Fare rifornimento soltanto all'aperto. E' vietato fumare durante il rifornimento.
 - Fare rifornimento prima di avviare il motore. Non svitare mai il tappo del serbatoio, né fare rifornimento con il motore acceso o caldo.
 - In caso di fuoriuscita di benzina, non mettere in moto il motore. Spostare l'equipaggiamento dall'aerea in cui si è verificata la fuoriuscita del carburante ed evitare di provocare qualsiasi tipo di accensione fino a quando i vapori non si siano dissipati.
 - Reinserrare e serrare bene il tappo del serbatoio e del contenitore.
- Sostituire le marmitte che non funzionino bene.
- Prima di iniziare il lavoro ispezionare visualmente le lame, i bulloni delle lame e il gruppo falciante per verificare che non vi siano tracce di usura o danneggiamenti. In caso di lame e bulloni danneggiati od usurati, installate un nuovo set completo in modo che il macchinario rimanga bilanciato.
- In caso di trattorini tosaerba a lame multiple prestare la massima attenzione in quanto ruotando una lama si può provocare la rotazione delle altre.

(IT)

III. FUNZIONAMENTO

- Non accendere il motore in spazi ristretti dove vi si possa accumulare ossido di carbonio, un gas inodore ma letale.
- Usare i tosaerba soltanto con la luce del giorno oppure in presenza di buona luce artificiale.
- Prima di avviare il motore disinnestare la frizione degli accessori da taglio e portare la leva del cambio sulla posizione di folle.
- Non impiegare questo macchinario su terreni con una pendenza di oltre 5°.
- Tenere presente che non esistono pendii "sicuri". Prestare particolare attenzione sui pendii erbosi. Suggesti per evitare il ribaltamento del macchinario:
 - evitare di fermarsi o mettersi in marcia improvvisamente in salita o in discesa;
 - innestare la frizione lentamente; tenere sempre le marce innestate, specialmente in discesa;
 - procedere a bassa velocità sui pendii e nelle curve strette;
 - fare attenzione a dossi, buche o ad altri pericoli nascosti;
 - non tagliare l'erba in diagonale sui pendii a meno che non si disponga di un trattorino tosaerba realizzato appositamente allo scopo.
- Prestare particolare attenzione quando si trainano oggetti pesanti o quando si utilizza dell'equipaggiamento pesante.
 - Usare soltanto i punti approvati di traino nelle barre di trazione.
 - Limitarsi ai carichi che si è in grado di controllare con sicurezza.
 - Non sterzare bruscamente. Prestare particolare attenzione durante la retromarcia.
 - Impiegare contrappesi o pesi per ruote ogniqualevolta siano raccomandati nel manuale d'uso.
- Fare attenzione al traffico quando si lavora in prossimità di strade e quando le si deve attraversare.
- Attivare il dispositivo di bloccaggio delle lame per interrompere la rotazione prima di attraversare superfici non erbose.
- Durante l'uso di qualsiasi accessorio non dirigere mai lo scarico dei materiali verso i passanti e non consentire a nessuno di avvicinarsi al macchinario in funzione.
- Non usare mai i trattorini tosaerba con protezioni o schermi difettosi oppure non installati.
- Non modificare le impostazioni del regolatore del motore né far operare il motore a velocità eccessive. Le velocità eccessive possono aumentare il pericolo di infortuni.
- Prima di lasciare il posto di guida, o dell'operatore:
 - disinnestare la leva di comando della presa di forza ed abbassare gli accessori;
 - portare la leva sulla posizione di folle ed innestare il freno di parcheggio;
 - spegnere il motore e togliere le chiavi.
- Disinnestare la trasmissione del moto agli accessori, spegnere il motore e scollegare i fili delle candele oppure togliere la chiavetta di accensione:
 - prima di pulire eventuali intasamenti e prima di stasare lo scivolo;
 - prima di interventi o controlli sul tosaerba e prima delle operazioni di pulizia;
 - dopo aver colpito un oggetto estraneo. Controllare che il tosaerba non sia stato danneggiato ed effettuare le riparazioni del caso prima di riavviare e mettere in funzione l'equipaggiamento;
 - se il tosaerba, o trattorino, vibra in modo anomalo (in qual caso eseguire immediatamente dei controlli).
- Disinnestare la trasmissione del moto agli accessori durante il trasporto del macchinario oppure quando non è in uso.
- Spegnere il motore e disinnestare la motorizzazione degli accessori nei seguenti casi:
 - prima di fare rifornimento;
 - prima di smontare il contenitore dell'erba tagliata;
 - prima di regolare l'altezza, a meno che le regolazioni non possano essere eseguite dal posto dell'operatore.
- Ridurre la velocità, con la leva dell'acceleratore, per rallentare il motore prima dello spegnimento. Se il motore è provvisto di valvola di arresto, chiudere l'alimentazione del carburante alla fine del lavoro.

IV. MANUTENZIONE E PERIODI DI INATTIVITA'

- Verificare che tutti i dadi, i bulloni e le viti siano sempre ben stretti per assicurare che l'equipaggiamento sia in buone condizioni operative.
- Non lasciare mai l'equipaggiamento, con benzina nel serbatoio, in locali chiusi dove i vapori possano raggiungere fiamme libere o scintille.
- Lasciare raffreddare il motore prima di riporre i tosaerba, o trattorini, in qualsiasi spazio stretto e chiuso.
- Per ridurre i pericoli d'incendio assicurarsi che il motore, la marmitta, il vano batteria e la zona di stoccaggio benzina siano liberi da erba, foglie o quantità eccessive di grasso.
- Controllare spesso il raccogliherba dell'erba tagliata per individuare eventuali segni di usura o di danneggiamento.
- Per maggiore sicurezza, sostituire le parti usurate o danneggiate.
- Il serbatoio del carburante va vuotato all'aperto, qualora necessario.
- In caso di macchinario a lame multiple prestare la massima attenzione quando si ruota una lama in quanto ciò può provocare la rotazione delle altre.
- Prima di parcheggiare, mettere in magazzino o lasciare incustoditi i tosaerba, o i trattorini, abbassare l'apparato falciante a meno che si utilizzi un dispositivo meccanico per il bloccaggio in posizione della campana tosaerba.
- **PERICOLO:** scollegare sempre i fili delle candele, e collocarli dove non possano venire in contatto con le candele per non provocare accensioni inavvertite, durante l'allestimento, il trasporto, la regolazione o la riparazione dei tosaerba o dei trattorini.

A ONDERDELEN

1. Bovenkant container
2. Onderkant container
3. Bovenste goot
4. Onderste goot
5. Deksel
6. Indicator "zak vol"
7. Vergrendeling bovenste goot
8. Vergrendelingen onderste goot
10. Steunen

B steunen

- a. Er zitten vier (4) borstbouten op de achterste balk van uw tractor. Hang de steunen simpelweg aan de bouten (1).
- b. Om de steunen te verwijderen: trek de stopbeugel (2) zo ver naar buiten dat de steunen van de balk kunnen worden opgetild.

C DEKSEL (1) OP DE STEUNEN (2)

OPMERKING: Voor een eenvoudige installatie kunt u de hulp van een tweede persoon invoeren om het deksel op de tractor te monteren.

- a. Plaats het deksel op de grond achter de tractor zoals is afgebeeld.
- b. Til het deksel op en draai het zo dat de beugel van het deksel samenvalt met de steunen.
- c. Schuif het deksel naar beneden op de steunen.

D CONTAINERS

- a. Plaats de onderste helft (1) in de bovenste helft (2).
- b. Zet een voet in de onderste helft en til de bovenste helft op tot aan de onderste helft.
- c. Duw de helften goed op elkaar terwijl u de bovenkant zoals op de afbeelding omhoog tilt totdat hij op zijn plaats zit.

BELANGRIJK: VOORDAT U DE GREPEN (3) DICHTDOET, MOETEN DE HOEKEN OP DE BEIDE HELFTEN IN ELKAAR GRIJPEN ZOALS OP DE INZET TE ZIEN IS.

- d. Herhaal dit voor de andere containers.

MONTAGECONTROLE: Duw de zijanten van de onderste helft van de container in en controleer of er geen ruimte tussen de onderste en bovenste helft is. Als er een ruimte verschijnt, haal de grepen dan los, haal de container erhelten uit elkaar en herhaal de bovenstaande instructies.

E DE CONTAINERS MONTEREN

- a. Installeer eerst een container aan de linkerkant (1). Installeer de andere container aan de rechterkant (2).

OPMERKING: De linkerrand van de rechtercontainer moet de rechterraand van de linkercontainer overlappen bij de steun in het midden (3).

- b. Sluit het deksel en sluit de hendels (5) over de buizen van de middelste steun (4).

F DE ONDERSTE GOOT BEVESTIGEN

- a. Breng de ketsplaat (1) omhoog en houd hem rechtop.
- b. Plaats de gleuf in de onderste goot op de greep (2) op de maaier en plaats de onderste goot zoals getoond op de opening.
- c. Haak de achterste vergrendeling (3) in het flensgat op de achterkant van de maaier.
- d. Haak de voorste vergrendeling (4) in het gat in de greep op de voorkant van de maaier.

VOORZICHTIG: Haal de ketsplaat (1) niet van de maaier af. Breng de ketsplaat omhoog en houd hem in die positie terwijl u de onderste goot bevestigt. Laat de plaat op de goot rusten tijdens de werking.

G BOVENSTE GOOT

- a. Breng de maaier omlaag tot de laagste maaipositie.
- b. Monteer de bovenste goot (1) door het gebogen einde in het gat in de achterkant van het deksel (2) te steken.
- c. Duw de goot naar binnen en draai de goot totdat hij op een lijn is met de onderste goot (3).
- d. Lijn de gaten (4) op de onderste goot met de uitlijngleuven (4) op de bovenste goot en schuif ze in elkaar.
- e. Maak vast met de rubberen bevestiging (5) door het gat in de bevestiging over de pen (6) te haken.



TIPS VOOR EEN BETERE FUNCTIONERING:

Volg de instructies voor het gebruik van de maaier in de handleiding van uw tractor.

Zorg ervoor dat de maaier goed genivelleerd is voor de beste prestaties.

Als u de grasvanger op een veld gebruikt waar geen gras- en bladopvangapparatuur is gebruikt, zult u stro en vuil oppakken dat gedurende een lange tijd is opgehoopt. Waarschijnlijk verzamelt u dan meer en duurt de bewerking langer dan wanneer u de grasvanger regelmatig gebruikt.

- Zet de gashendel altijd op volle snelheid als u de grasvanger gebruikt.
- Selecteer een versnelling die laag genoeg is voor goede maairesultaten, een snede van goede kwaliteit en een goede verzameling in de containers.

OPMERKING: Het kan nodig zijn om de maaibreedte te overlappen voor het beste resultaat.

- Als het gras erg hoog is, moet u het tweemaal maaien. De eerste maal vrij hoog en de tweede maal tot de gewenste hoogte.
- Gebruik de linkerkant van de maaier om te trimmen.
- Er kunnen plastic afvalzakken in de containers van de grasvanger worden geplaatst om het vuil makkelijk weg te kunnen gooien. Ga als volgt te werk om de plastic afvalzakken te verwijderen als ze vol zijn:
 - a. Maak de bladen los, zet de versnelling in z'n vrij, schakel de parkeerrem in en stop de motor.
 - b. Breng de zitting omhoog. Maak de vergrendeling los en til het deksel op.
 - c. Verwijder een container per keer door de handgrepen te pakken en de container naar achteren van de buizen te trekken.
 - d. Zet de container op de grond en maak de plastic zak dicht.
 - e. Leg de container op de zijkant en schuif de volle zak eruit.
 - f. Doe een nieuwe plastic zak in de container, met de randen van de zak over de bovenrand van de container.
 - g. Herhaal dit voor de andere containers.
 - h. Plaats de containers terug en zorg ervoor dat de rechter container over de linker valt bij de middensteunen.
 - j. Sluit het deksel en sluit de vergrendelingen over de middelste steunbuizen.

• Maai geen gras dat nat is of waar nog veel morgendauw op ligt. Als u onder die omstandigheden gras maait, is het plakkerig en kleeft het tegen de wanden van maaier waardoor zich vuil ophoopt.

• De zakkenmachine heeft een indicator voor "zak vol". Het wiel draait meer naarmate de zakken voller worden. Het wiel draait op zijn snelst net voordat de zakken helemaal vol zijn. Wanneer het wiel stopt, zijn de zakken vol en zitten de goten verstopt.

OPMERKING: Controleer/leeg de zakken wanneer het wiel snel draait om te voorkomen dat de goten verstopt raken. De ervaring zal u leren wanneer het tijd is om de zakken te legen.

- Let er goed op dat de onderdelen niet beschadigen en dat het wiel vrij kan draaien aan het begin van ieder gebruik.
- Als de grasvanger gemaaid gras of bladeren niet opvangt, betekent dit dat het systeem is verstopt of dat de containers vol zijn. Dit wordt gewoonlijk aangegeven doordat de indicator "zak vol" niet meer beweegt.

- a. Maak de bladen los, zet de versnelling in z'n vrij, schakel de parkeerrem in en stop de motor.
 - Breng de zitting omhoog. Maak de vergrendeling los en til het deksel op.
 - Schuif de containers naar buiten en haal het gemaaid gras eruit.
 - Plaats de containers terug, sluit het deksel en maak het vast.
- b. Maak de goten los en controleer of er vuil in is opgehoopt.
 - Verwijder al het vuil uit de goten.
 - Plaats de goten terug en vergrendel ze.
- c. Controleer of de indicator "zak vol" niet vast zit.
 - Er mag geen vuil in het luchtgat zitten. Maak het gat voorzichtig schoon met een takje of een draad.



VOORZICHTIG

- Gebruik de maaier niet als de grasvanger niet helemaal is geïnstalleerd.
- Koppel de bladen los en stop de motor voordat u van de tractor gaat om de containers te legen, de goten vrij te maken, enz.
- Sluit het deksel voordat u start.
- Ontkoppel de maaier als u straten of grindpaden oversteekt of andere gebieden waar opgeworpen voorwerpen een gevaar kunnen vormen.
- Probeer niet blikjes of andere mogelijke gevaarlijke projectielen op te zuigen.

ALGEMENE AANBEVELINGEN

Neem altijd de veiligheidsregels in acht bij het uitvoeren van onderhoud.

- Controleer voor ieder gebruik of er geen losse bevestigingen zijn.
- Maak de unit goed schoon na ieder gebruik.

ONDERHOUD VAN DE BLADEN

Voor de beste resultaten moeten de maaierbladen scherp blijven. Vervang verbogen of beschadigde bladen.

- Raadpleeg de instructies voor het ONDERHOUD VAN DE BLADEN in de handleiding van de tractor.

⚠ VOORZICHTIG: VOORDAT U ONDERHOUD, REPARATIES OF AFSTELLINGEN UITVOERT:

- Druk het koppelings-/rempedaal helemaal in en schakel de parkeerrem in.
- Plaats de versnellingshendel in de neutrale positie (N).
- Zet de koppeling in de "ONTKOPPELDE" positie.
- Zet de contactsleutel op "OFF".
- Controleer of de bladen en alle bewegende onderdelen helemaal zijn gestopt.
- Koppel de ontstekingsdraad (-draden) los van de ontsteking en leg ze zo neer dat ze niet met de ontsteking in aanraking kunnen komen.

⚠ VOORZICHTIG: De onderdelen van de grasvanger zijn onderhevig aan slijtage, schade en veroudering waardoor er bewegende delen bloot kunnen komen te liggen of er voorwerpen opgeworpen kunnen worden. Controleer de onderdelen vaak en vervang ze indien nodig met door de fabrikant aanbevolen reserveonderdelen.

OPSLAG

Als de grasvanger een tijd opgeslagen moet worden, maak hem dan goed schoon en verwijder al het vuil, gras, bladeren, enz. Op een schone en droge plaats bewaren.

⚠ VOORZICHTIG: Laat geen gras in de containers zitten. Leeg de containers na ieder gebruik en voor opslag. Als u dat niet doet, kan zelfontbranding het gevolg zijn waardoor er brand kan ontstaan.

VEILIGHEIDSRREGELS

Veilige bedieningsmethoden voor zittrekkers

⚠ BELANGRIJK: Deze maaimachine kan handen en voeten amputeren en voorwerpen wegslingeren. Het niet opvolgen van deze veiligheidsinstructies kan ernstig of dodelijk letsel tot gevolg hebben.

I. TRAINING

- Lees de instructies aandachtig. Zorg dat u vertrouwd bent met de bedieningselementen en het juiste gebruik van de machine.
- Laat kinderen of mensen die niet bekend zijn met de instructies, de maaimachine niet gebruiken. Het is mogelijk dat plaatselijke voorschriften een beperking stellen aan de leeftijd van de bestuurder.
- Maai nooit terwijl mensen, vooral kinderen, of huisdieren in de buurt zijn.
- Bedenk dat de bestuurder of gebruiker verantwoordelijk is voor ongelukken of risico's die andere mensen of hun eigendommen kunnen overkomen.
- Geen passagiers vervoeren.
- Alle bestuurders dienen vakkundige instructies te ontvangen. Bij dergelijke instructies dient de nadruk te worden gelegd op:
 - de noodzaak voor aandacht en concentratie bij het werken met zittrekkers;
 - een zittrekker die op een helling wegglijdt, kan niet onder controle worden gehouden door te remmen.

De hoofdredenen voor besturingsverlies zijn:

- a) onvoldoende houvast;
- b) te snel rijden;
- c) ontoereikend remmen;
- d) het soort machine is niet geschikt voor de taak;
- e) gebrek aan kennis van het effect van bodemcondities, vooral hellingen;
- f) verkeerd vastkoppelen en verkeerde verdeling van de lading.

II. VOORBEREIDING

- Inspecteer om brandgevaar te voorkomen, of er afvalophopingen zijn bij de tractor, de maaier en achter alle beveiligingen en verwijder die – voor het gebruik, als u brandstof tankt en aan het einde van iedere maaisessie.
- Draag tijdens het maaien altijd stevige schoenen en een lange broek. Gebruik de machine niet blootsvoets of terwijl u open sandalen draagt.
- Inspecteer de plek waar de machine zal worden gebruikt, grondig en verwijder alle voorwerpen die door de machine kunnen worden weggeslingerd.
- WAARSCHUWING - Benzine is licht ontvlambaar.
 - Bewaar brandstof in blikken die speciaal voor dat doel zijn bestemd.
 - Tank alleen buiten en rook niet tijdens het tanken.
 - Tank voordat u de motor start. Draai de dop nooit van de benzinetank af of tank nooit terwijl de motor draait of heet is.
 - Als benzine is gemorst, probeer de motor dan niet te starten maar haal de machine van de plaats vandaan waar u benzine heeft gemorst en zorg dat u geen ontstekingsbron teweeg brengt totdat de benzedampen zijn verdreven.
 - Draai de dop van alle brandstoftanks en -blikken weer goed vast.
- Vervang defecte geluiddempers.
- Inspecteer vóór het gebruik altijd of de messen, mesbouten en maai-inrichting niet versleten of beschadigd zijn. Vervang versleten of beschadigde messen en bouten in sets om het evenwicht in stand te houden.
- Op machines met meerdere messen dient u eraan te denken dat het draaien van één mes andere messen kan doen draaien.

(NL)

III. BEDIENING

- Laat de motor niet draaien in een besloten ruimte waar gevaarlijke koolmonoxydedampen zich kunnen verzamelen.
- Maai alleen bij daglicht of goed kunstlicht.
- Voordat u de motor gaat starten, moet u alle meshulpstukkoppelingen uitschakelen en naar de vrijloop schakelen.
- Gebruik de trekker niet op hellingen van meer dan 5°.
- Denk eraan dat er geen "veilige" hellingen bestaan. Bij het rijden op hellingen met gras dient men extra voorzichtig te zijn. Zo zorgt u ervoor dat de trekker niet ontslaat:
 - stop en start niet plotseling bij het op- of afrijden van een helling.
 - schakel de koppeling langzaam in, houd de machine altijd in de versnelling, vooral bij het afrijden van een heuvel;
 - de snelheid van de machine dient op hellingen en in scherpe bochten laag te worden gehouden;
 - kijk uit voor bulten en kuilen en andere verborgen gevaren;
 - maai nooit dwars op de helling tenzij de maaier voor dit doel is ontworpen.
- Wees voorzichtig bij het trekken van ladingen of het gebruik van zwaar materieel.
 - Gebruik alleen goedgekeurde aanhaakpunten voor een trekstang.
 - Beperk de lading tot hetgeen u veilig kunt hanteren.
 - Maak geen scherpe bochten. Wees voorzichtig bij achteruit rijden.
 - Gebruik contragewicht(en) of wielgewichten wanneer dat in de handleiding wordt aangeraden.
- Kijk uit voor het verkeer wanneer u de weg oversteekt of zich nabij een weg bevindt.
- Stop de messen voordat u andere oppervlakken dan gras oversteekt.
- Voer bij het gebruik van hulpstukken het materiaal nooit af in de richting van omstanders en laat niemand in de buurt van de machine komen terwijl deze in bedrijf is.
- Gebruik de maaimachine nooit met defecte beschermkappen en schermen of zonder beveiligingsinrichtingen op hun plaats.
- Verander de instelling van de motorregelaar niet en laat de motor niet met te hoge toeren draaien. Als de motor met te hoog toerental draait, kan het risico van lichamelijk letsel groter worden.
- Voordat u de bestuurdersstoel verlaat:
 - de aftakas uitschakelen en de hulpstukken neerlaten;
 - naar de vrijloop schakelen en de parkeerrem inschakelen;
 - de motor stoppen en de sleutel verwijderen.
- Schakel de aandrijving naar de hulpstukken uit, stop de motor en maak de bougiekabel(s) los of verwijder het contactsleuteltje,
 - voordat u opgehoopt materiaal weghaalt of een verstopte afvoer leeg maakt;
 - voordat u de maaimachine controleert, schoonmaakt of eraan werkt;
 - nadat u een ongewenst voorwerp heeft geraakt. Inspecteer de maaimachine op schade en voer reparaties uit voordat u de machine weer start en gebruikt;
 - als de machine abnormaal begint te trillen (onmiddellijk controleren).
 - vor dem Entfernen von Verstopfungen aus dem Mähwerk oder dem Auswurf;
- Schakel de aandrijving naar de hulpstukken uit tijdens transport of als ze niet worden gebruikt.
- Stop de motor en schakel de aandrijving naar het hulpstuk uit,
 - voordat u tankt;
 - voordat u de opvangzak verwijdert;
 - voordat u de hoogte instelt tenzij de hoogte vanuit de bestuurdersplaats kan worden ingesteld.
- Minder gas tijdens het uitlopen van de motor, en als de motor met een afsluitklep is uitgerust, moet u de brandstoftoevoer aan het einde van het maaien afsluiten.

IV. ONDERHOUD EN OPSLAG

- Houd alle moeren, bouten en schroeven goed vastgedraaid zodat u er zeker van kunt zijn dat de machine in een veilige bedrijfsstaat verkeert.
- Sla de machine nooit in een gebouw op, waar dampen een open vlam of vonk kunnen bereiken, terwijl zich benzine in de tank bevindt.
- Laat de motor afkoelen voordat u hem in een besloten ruimte opbergt.
- Beperk brandgevaar: houd de motor, geluiddemper, accuimte en benzine-opslagruimte vrij van gras, bladeren of een overmaat aan smeervet.
- Controleer de opvangzak vaak op slijtage of verwerking.
- Vervang versleten of beschadigde onderdelen om veiligheidsredenen.
- Als de brandstoftank afgetapt moet worden, moet dit buiten worden gedaan.
- Op machines met meerdere messen dient u eraan te denken dat het draaien van één mes andere messen kan doen draaien.
- Wanneer de machine moet worden geparkeerd, opgeslagen of alleen moet worden gelaten, moet de maai-inrichting neergelaten worden tenzij een mechanische vergrendeling wordt gebruikt.

⚠ WAARSCHUWING: Maak de bougiekabel altijd los, plaats hem waar hij de bougie niet kan raken teneinde onverhoeds starten te voorkomen tijdens het opstellen, vervoeren, afstellen of uitvoeren van reparaties.

A IDENTIFIERING AV DELARNA

1. Påsens översida
2. Påsens undersida
3. Övre ränna
4. Undre ränna
5. Lock
6. Indikator om att påsen är full
7. Lås till den övre rännan
8. Lås till den undre rännan
10. Stödgrupp

B STÖDGRUPP

- a. Din traktor har redan fyra (4) axelbultar installerade på den bakre dragkroken och du ska helt enkelt hänga stödgruppen på bultarna (1).
- b. För att avlägsna stödgruppen, ska du dra ut stoppbygeln (2) tillräckligt för att kunna lyfta bort stödgruppen från dragkroken.

C LOCKGRUPP (1) PÅ STÖDGRUPPEN (2)

OBS: för att underlätta monteringen, kan det vara bra att få hjälp av en annan person då man ska montera lockgruppen på traktorn.

- a. Placera lockgruppen på marken bakom traktorn som på bilden.
- b. Lyft och rotera locket för att ställa in lockets bygel i höjd med stödgruppen.
- c. Låt lockgruppen glida ner i stödgruppen.

D BEHÅLLARGRUPPEN

- a. Placera den undre halvan (1) inuti den övre halvan (2).
- b. Placera en fot inuti den undre halvan och lyft den övre hälften så att den möter den undre hälften.
- c. Tryck samman halvorna samtidigt som du lyfter den övre delen för att blockera den i rätt läge som på bilden.

VIKTIGT: INNAN DU LÅSER FLIKARNA (3), SKA KANTERNA MED KROKAR PÅ BÄGGE HALVORNA ÖVERLAPPA VARANDRA FÖR ATT BILDA EN FÖRSEGLING SOM VISAS.

- d. Upprepa detta för de andra påsarna.

KONTROLL AV MONTERINGEN: kontrollera sidorna på påsens undre halv och kontrollera att det inte finns några mellanrum mellan den övre och den undre halvan. Om ett mellanrum uppstår, ska du frigöra flikarna för att separera påsens halvorna och upprepa anvisningarna nedan.

E MONTERING AV PÅSEN

- a. Installera en påse på vänster sida (1). Installera en annan påse på höger sida (2).

OBS: vänster kan på höger påse ska alltid överlappa höger kant på vänster påse vid mittstödet (3).

- b. Stäng locket och lås det låsbara handtaget (4) över det centrala stödröret (3).

F FÄST DEN UNDER RÄNNAN

- a. Lyft och håll de ektorskärmarna (1) i upprätt läge.
- b. Placera en fåra i den över rännan på ytan (2) på gräsklipparen och placera den under rännan över däcköppningen som visas.
- c. Fäst den övre haken (3) i kånshålet på gräsklipparens baksida.
- d. Haka fast den främre haken (4) i kånshålet på gräsklipparens framsida.

OBS: avlägsna inte de ektorskärmarna (1) från gräsklipparen. Lyft och håll skärmarna då du fäster den undre rännan och låt den vila på rännan under funktionens gång.

G ÖVRE RÄNNA

- a. Sänk gräsklipparen till den lägsta positionen.
- b. Montera den övre rännan (1) genom att sätta in den böjda änden i hålet på lockets baksida (2).
- c. Tryck in och vänd den övre rännan tills den är i linje med den undre rännan (3).
- d. Ställ bussningarna (4) på den undre rännan i höjd med fårorna (4) på den övre rännan och skjut dem tillsammans.
- e. Fäst dem med gummilåset (5) genom att haka fast hålet i låset ovanpå låsstiftet (6).



TIPS FÖR EN BÄTTRE FUNKTION gällande UPPSAMLINGSPÅSEN:

Följ anvisningarna för gräsklipparen i bruksanvisningar i din traktors bruksanvisning.

Se till att gräsklipparen är korrekt nivellera för att uppnå bäst prestanda.

Då du använder gräsupsamlingspåsen på en grasmatta där gräs- och lövin-samlingsutrustning inte använts, plockar du upp ogräs och skräp som samlats under en längre tid. Mängden som insamlas och den totala insamlingsstiden kan då överstiga den normala tiden för användning av gräsupsamlaren.

- Kör alltid motorn på maximal hastighet vid uppsamling.
- Välj ett varvtal som är tillräckligt lågt för att uppnå bra prestanda och en bra kvalitet i både klippning och uppsamling.

OBS: det kan visa sig nödvändigt att överlappa skärbredden enligt gällande förhållanden.

- Om gräset är mycket högt, ska det klippas två gånger. Den första gången ska det klippas relativt högt och sedan till önskad höjd.
- Använd vänster sida av gräsklipparen för trimning.
- Plastkassar kan sättas in i gräsupsamlingspåsen för att lätt kunna kasta bort avklippat gräs. För att avlägsna plastkassarna då de är fulla:
 - a. Frigör bladen, lägg växeln i friläge, dra åt handbromsen och stoppa motorn.
 - b. Lyft sätet. Frigör och lyft locket.
 - c. Avlägsna en påse åt gången genom att ta tag i handtagen och dra bakåt bort från skenorna.
 - d. Då påsen står på marken, ska du stänga och fästa översidan av plastpåsen.
 - e. Tippa påsen på sidan och låt den fulla kassen glida ut.
 - f. Sätt in en ny plastkasse med kassens kanter draperade över den övre kanten.
 - g. Upprepa denna operation för de andra enheterna.
 - h. Återinstallera enheterna och se till att den högra överlappar den vänstra vid mittstödet.
 - j. Stäng locket och fäst hakarna över mittstödet.
- Undvik att klippa blött gräs eller på morgonen då det är mycket dagg i gräset. Gräsrester som samlas in i dessa förhållanden brukar vara kladdigt och fastna vid väggarna vilket leder till tilltäppning.
- Din påsenhet är utrustad med en indikator för full påse. Rörelsen av hjulet ökar då påsen fylls på. Hjulet snurrar snabbast precis före påsen är helt full. Då hjulet stoppar, betyder det att påsarna är fulla och rännorna tilltäppta

OBS: för att se till att fårorna inte täpps till, ska du kontrollera/tömma påsarna då hjulet snurrar snabbt. Erfarenheten kommer att lära dig den bästa tiden för att tömma påsarna.

- Var försiktig så att du inte skadar delarna och att hjulet roterar fritt i början av varje användning.
- Om gräsupsamlaren inte fångar upp klippt gräs eller löv, betyder det att systemet täppts till eller att gräspåsen är full. Normalt indikeras det av indikatorn för full uppsamlingspåse.
 - a. Frigör bladen, lägg i friläge, dra åt handbromsen och stoppa motorn.
 - Höj sätet. Koppla bort och lyft locket.
 - Dra ut påsarna och kasta bort innehållet.
 - Sätt tillbaka påsarna, stäng locket och lås.
 - b. Frigör rännorna och kontrollera om de är tilltäppta.
 - Avlägsna all smuts i rännorna.
 - Montera och lås rännorna
 - c. Kontrollera att indikatorn för full uppsamlingspåse inte blivit tilltäppt.
 - Luftpassagehålet måste vara fritt från smuts. Sätt försiktigt in en liten kvist eller ståltråd i passagen för att rensa den.

⚠ VARNING

- Använd inte gräsklipparen med gräsupsamlingspåsen delvis installerad.
- Frigör bladen och stoppa motorn innan du går bort från traktorsätet för att tomma påse, frigöra rännor, etc.
- Stäng locket innan du startar.
- Frigör gräsklipparen då du kör över uppfarter eller grusvägar och andra områden där det är risk för utflygande föremål.
- Försök inte suga upp burkar eller andra potentiellt farliga föremål.

ALLMÄNNA RÅD

Följ alltid säkerhetsnormerna för utförande av underhållsarbetet.

- Kontrollera om några fastsättningsanordningar sitter lösa före användning.
- Rengör enheten noga efter varje användning.

BLADVÅRD

För bäst resultat, ska gräsklipparens blad vara vassa. Byt ut blad som är böjda eller skadade.

- Se anvisningarna om BLADVÅRD i din traktors bruksanvisning.
- ⚠ **OBS: INNAN DU UTFÖR UNDERHÅLLSARBETE, SERVICE ELLER REGLERINGAR:**
 - Tryck ner kopplingspedalen helt och dra åt handbromsen.
 - Ställ växelspaken i friläge (N)
 - Ställ växeln i "FRIGJORT" läge.
 - Vrid tändnyckeln till "OFF"-läget.
 - Se till att bladen och alla de rörliga delarna står helt stilla.
 - Koppla bort tändstiftets ledning från tändstiftet och lägg den där den inte kan komma i kontakt med stiftet.

⚠ **OBS:** gräsuppsamlarens beståndsdelar är utsatta för slitage, skador och försämringar, som gäller de rörliga delarna eller gör så att föremål slungas ut. Kontrollera beståndsdelarna ofta och byt ut dem med tillverkarens rekommenderade delar vid behov.

FÖRVARING

Då du ska förvara gräsuppsamlaren under en längre tid, ska du rengöra den noga, avlägsna all smuts, gräs, löv osv. Förvara den på ren torr plats.

⚠ **OBS:** Lämna inte kvar gräs i påsarna. Töm påsarna efter varje användning och före förvaring. Annars kan spontan förbränning uppstå med risk för brand.

SÄKERHETSFÖRESKRIFTER

Säker användning av traktorklippare

VIKTIGT: Denna klippare kan klippa av händer och fötter samt slunga iväg föremål. Underlåtenhet att följa säkerhetsanvisningarna kan resultera i allvarliga skador eller dödsfall.

I. ÖVNING

- Läs noga igenom anvisningarna. Se till att du har bekantat dig med alla reglage och hur utrustningen ska användas.
- Tillåt aldrig barn eller personer som inte är införstådda med anvisningarna att använda gräsklipparen. Lokala föreskrifter kan reglera förarens ålder.
- Använd aldrig klippare om personer, speciellt barn, eller husdjur uppehåller sig i närheten.
- Kom ihåg att föraren är ansvarig för olyckor eller olyckstillbud som påverkar andra personer eller deras ägor och ägodelar.
- Passagerare får inte medtagas.
- Alla förare ska uppsöka och erhålla professionell och praktisk utbildning. Denna undervisning ska innefatta och starkt betona:
 - behovet av försiktighet och koncentration vid arbete med traktorer;
 - att man inte kan återfå kontrollen över en maskin som glider i en sluttning genom att bromsa.

Huvudsakliga skäl till förlust av kontrollen över maskinen är:

- a) otillräckligt fäste för hjulen;
- b) fordonet har framförts vid allt för hög hastighet;
- c) otillräckliga bromsar;
- d) maskinen var olämplig för uppgiften;
- e) underlåtenhet att uppmärksamma markens beskaffenhet, speciellt sluttningar;
- f) oriktig koppling av tillbehör och viktdistribution.

II. FÖRBEREDELSE

- För att minska brandrisken – före användning, vid påfyllning av bränsle och efter varje gräsklippningstillfälle – kontrollera och ta bort all ansamling av skräp/gräsavfall från traktorn, gräsklipparen och bakom alla skyddsanordningar.
- Bär alltid kraftiga skor och långbyxor under användning av klipparen. Var aldrig barfota eller bär sandaler när du använder utrustningen.
- Undersök noga omgivningen där utrustningen ska användas och avlägsna alla föremål som kan komma att slungas iväg av maskinen.
- **VARNING** - Bensin är ytterst lättantändligt.
 - Förvara alltid bränsle i behållare som är avsedda för detta ändamål.
 - Fyll alltid på bränsle utomhus och rök inte under tiden.
 - Fyll på bränsle innan motorn startas. Avlägsna aldrig locket till bensintanken eller fyll på bensin medan motorn är igång eller medan den fortfarande är varm.
 - Om du skulle spilla bensin ska du inte starta motorn utan rulla undan maskinen från området med den utspillda bensinen samt undvika alla former av gnistbildning tills dess att bensinen har dunstat.
 - Sätt alltid tillbaka locket till bensintanken och andra behållare.
- Ersätt trasiga ljuddämpare.
- Utför alltid en visuell inspektion för att kontrollera att knivbladen, bultarna och klipparen inte är slitna eller skadade före starten. Ersätt hela satsen av knivblad och bultar för att bibehålla balansen.

(SE)

- Var försiktig när du roterar ett knivblad på en maskin med era blad eftersom detta kan förorsaka att även de andra bladen roterar.

III. ANVÄNDNING

- Kör inte motorn i ett slutet rum där farliga mängder av koloxid kan samlas.
- Klipp endast i dagsljus eller under fullgott artificiellt ljus.
- Koppla från alla tillbehörskopplingar och lägg in växeln i neutralläge innan du startar motorn.
- Kör inte på mark som sluttar mer än 5°.
- Kom ihåg att det inte finns några "säkra" sluttningar. Körning över grässluttningar kräver speciell försiktighet. Skydda dig emot att traktorn välter genom att:
 - inte starta eller stanna plötsligt medan du kör uppför eller nedför
 - koppla in kopplingen långsamt, låt alltid en växel ligga i, speciellt vid körning i nedförsbacke;
 - köra långsamt i sluttningar och i tvära svängar;
 - var uppmärksam på förhöjningar och fördjupningar i marken samt andra dolda faror;
 - kör aldrig tvärs över en sluttning.
- Var försiktig när du bogserar tungt lass eller använder tung utrustning.
 - Använd endast godkända dragstångskrokar.
 - Begränsa lasten till det du kan klara av på ett säkert sätt.
 - Gör inga tvära svängar. Var försiktig när du backar.
 - Använd motvikter eller hjulvikter när detta anges i handboken.
- Se upp för traktorn när du korsar vägar eller uppehåller dig i närheten av en väg.
- Stanna knivbladen när du kör över annat underlag än gräs.
- När du använder tillbehör ska du se till att material inte slungas emot åskådare samt tillse att ingen befinns i närheten av maskinen medan den är i gång.
- Kör aldrig maskinen om någon av säkerhetsskyddet inte finns på plats eller är skadade.
- Ändra inte stryplackens inställning eller kör motorn på allt för hög hastighet. Om motorn körs med för hög hastighet kan detta öka riskerna för olyckor och personsador.
- Innan du lämnar förarplatsen ska du:
 - koppla bort kraftuttaget och sänka ner tillbehör;
 - lägga in växeln i neutralläget och dra åt handbromsen;
 - stanna motorn och ta ur tändningsnyckeln.
- Koppla bort driften av tillbehör, stanna motorn och avlägsna ledningarna till tändstiftet eller ta ur tändningsnyckeln
 - innan du rensar utkastet från material som fastnat;
 - innan du kontrollera, rengör eller reparerar gräsklipparen;
 - efter det att du har kört in i ett främmande föremål. Undersök gräsklipparen för att se om den har skadats och utför reparationer innan du åter startar och kör maskinen;
 - om maskinen börjar att vibrera onormalt mycket (kontrollera omedelbart).
- Koppla bort driften av tillbehör under transport eller när maskinen inte används.
- Stanna motorn och koppla bort driften till maskinen
 - innan du fyller på bränsle;
 - innan du avlägsnar gräsuppsamlaren;
 - innan du justerar höjden såvida detta inte kan utföras från förarplatsen.
- Minska gasreglagetets inställning medan motorn stannar och om motorn är försedd med en avstängningsventil ska du stänga av bränsletillförseln efter avslutad klippning.

IV. UNDERHÅLL OCH FÖRVARING

- Se till att alla muttrar, bultar och skruvar är ordentligt åtdragna för att vara säkra på att utrustningen är säker att använda.
- Se till att det inte finns bensin i tanken om du förvarar utrustningen i en byggnad där ångorna kan nå öppen eld eller gnistor.
- Låt motorn svalna innan du förvarar den i ett stängt utrymme.
- Undvik brandrisk genom att se till att motorn, ljuddämparen, batterihållaren och bensinförvaringsutrymmet är fritt från gräs, löv och överödigt smörjmedel.
- Kontrollera ofta att gräsuppsamlare inte är slitna eller trasiga.
- Av säkerhetsskäl skall slitna eller skadade delar omedelbart bytas ut.
- Om du måste tömma bensintanken ska detta göras utomhus.
- Var försiktig när du roterar ett knivblad på en maskin med era blad eftersom detta kan förorsaka att även de andra bladen roterar.
- När maskinen parkeras, förvaras eller lämnas obevakad ska knivbladen sänkas såvida inte ett positivt, mekaniskt lås används.
- ⚠ **VARNING:** Koppla alltid bort ledningarna till tändstiftet och placera dessa så att de inte kommer i kontakt med tändstiftet, så att inte motorn startas av misstag under inställning, transpor, justering eller reparation.

A BESKRIVELSE AV DELER

1. Beholderlokk
2. Beholderbunn
3. Øvre sjakt
4. Nedre sjakt
5. Dekke
6. Full beholder indikator
7. Sperre øvre sjakt
8. Sperrer nedre sjakt
10. Festeinnretning

B FESTEINNRETNING

- a. Traktoren har allerede re (4) skulderbolter installert på bakre plate. Heng ganske enkelt festeinnretningen på boltene (1).
- b. For å ta av festeinnretningen, dra stoppeklaften (2) nok til å løfte festeinnretningen opp og bort fra platen.

C LOKKENHET (1) PÅ FESTEINNRETNING (2)

NB: For å gjøre monteringen enklere å utføre, bør du få en annen person til å hjelpe til med monteringen av lokkenheten til traktoren.

- a. Posisjoner lokkenheten på bakken bak traktoren slik illustrasjonen viser.
- b. Løft og roter lokket for innstille lokkfestet overfor festeinnretningen.
- c. Skyv lokkenheten ned på festeinnretningen.

D SAMMENSETTING AV BEHOLDERE

- a. Plasser nedre halvdel (1) i øvre halvdel (2).
- b. Plasser en fot i nedre halvdel og løft øvre halvdel slik at den kommer inntil nedre halvdel.
- c. Press halvdelene hardt sammen mens du løfter øvre del slik at den låses på stedet slik illustrasjonen viser.

VIKTIG: FØR KLAFFENE (3) LÅSES, MÅ DE KRUMME ENDENE PÅ BEGGE HALVDELER OVERLAPPE FOR Å FESTES SLIK ILLUSTRASJONEN VISER.

- d. Gjenta for de andre beholderne.

MONTERINGSSJEKK: Trykk sidene på nedre halvdel av beholderen og sjekk at det ikke finnes noen åpning mellom øvre og nedre halvdel. Hvis en åpning skulle forekomme, lås opp klaffene for å separere halvdelene og gjenta instruksjonene ovenfor.

E MONTERING AV BEHOLDERE

- a. Installer en beholder på venstre side først (1). Installer den andre beholderen på høyre side (2).

NB: Venstre side av høyre beholder skal alltid overlape høyre side av venstre beholder ved midtre støttestang (3).

- b. Lukk lokket og lås låsklaffen (4) over midtre støttestang (3).

F FESTE NEDRE SJAKT

- a. Hev og hold verneplaten (1) i oppreist posisjon.
- b. Sett sporet i nedre sjakt over klaffen (2) på klipperover platen og posisjoner nedre sjakt over klipperåpningen slik illustrasjonen viser.
- c. Hekt bakre sperre (3) i skinnehullet bak på klipperen.
- d. Hekt fremre sperre (4) i klaffehullet på fronten av klipperen.

FORSIKTIG: Ikke ta verneplaten (1) av klipperen. Hev verneplaten og hold den mens nedre sjakt festes og la den hvile på sjakten under bruk.

G ØVRE SJAKT

- a. Senk klipperen til laveste klippeposisjon.
- b. Monter øvre sjakt (1) ved å sette den bøyde enden i hullet bak på dekket (2).
- c. Skyv inn og vri øvre sjakt inntil den er på linje med nedre sjakt (3).
- d. Still knottene (4) på nedre sjakt overfor sporene (4) på øvre sjakt og skyv sammen.
- e. Fest med en gummisperren (5) ved å hekte hullet i sperren over tappen (6).



TIPS FOR BEDRE OPPSAMLING:

Følg klippeinstruksene i traktorens håndbok.

Sørg for at klipperen er riktig stabil for å oppnå beste klipperesultat.

Når du bruker gressoppsamlere på en plen hvor gress- og løvoppsamlingsutstyr ikke har blitt brukt, plukker du opp strå og kvister som har samlet seg opp over lengre tid. Den totale oppsamlede mengden og all tiden du vil bruke, er mer enn hva du vil erfare ved regelmessig bruk av gressoppsamlere.

- Kjør alltid med gasspaken på fullt når du samler opp.
- Velg et gir som er lavt nok til å gi god klippeytelse, god kvalitet og god oppsamlingsytelse.

NB: Det kan være nødvendig å overlape klippebredden for å passe din arbeidssituasjon.

- Dersom gresset er veldig høyt skal det klippes to ganger. Første gang klippes det ganske høyt, den andre gangen til ønsket høyde.
- Bruk venstre side av klipperen for trimming.
- Søppelposer i plastikk kan settes i gressbeholderne for å lette tømningen. Tømming av plastikkposer når de er fulle:
 - a. Koble fra bladene, skift til frigrir, dra i håndbrekket og stopp motoren.
 - b. Hev setet. Lås opp og ta opp dekket.
 - c. Ta ut en beholder av gangen ved å dra håndtaket på beholderen bakover og av skinnene.
 - d. Mens beholderen står på bakken, lukk igjen toppen av plastikkposen.
 - e. Vipp beholderen til sides og skyv den fulle posen fra beholderen.
 - f. Installer en ny plastikkpose med endene av posen som overlapper den øvre kanten på beholderen.
 - g. Gjenta for de andre beholderne.
 - h. Installer beholderne på nytt og sørg for at høyre beholder overlapper venstre beholder ved midtre støttestenger.
 - j. Lukk lokket og fest låsklaffene over midtre støttestenger.

- Unngå å klippe vått gress eller klippe om morgenen mens gresset ennå er duggvått. Gresstrå som er oppsamlet mens de ennå er våte pleier å være klebrige og sitte fast langs veggene til sjakten og forårsake tilstopping. Oppsamleren er utstyrt med en full beholder indikator. Hjulene går forttere jo fullere beholderen blir. Hjulene vil dreie fortst rett før beholderne er helt oppfylt. Når hjulene stopper, indikerer det at beholderne er fulle og sjaktene har blitt tilstoppet.

NB: For å forhindre tilstopping av sjaktene, sjekk/tøm beholderne mens hjulene dreier raskt. Med erfaring vil du vite når det er best å tømme beholderne.

- Du bør passe på å ikke skade delene og at hjulene dreier fritt ved begynnelsen av hver anvendelse.
- Dersom gressoppsamlere ikke plukker opp klippet gress eller løv, er dette et tegn på at tilstopping skjer i systemet eller at gressbeholderne er fulle. Vanligvis vises dette ved stanset bevegelse av indikatoren for full beholder.

- a. Koble fra bladene, skift til frigrir, dra i håndbrekket og stopp motoren.

- Hev setet. Lås opp og ta opp dekket.
- Skyv beholderne ut og tøm gresset.
- Sett beholderne tilbake, lukk lokket og lås det.

- b. Lås opp sjaktene og sjekk eventuell tilstopping.

- Ta ut rester i sjaktene.
- Monter sammen igjen og lås sjaktene på plass.

- c. Sjekk at full beholder indikator ikke har blitt tilstoppet.

- Luftinntakshullet må holdes ren for rester. Dytt forsiktig en liten kvist eller metalltråd inn i hullet for å rense det.



FORSIKTIG

- Ikke bruk klipperen med oppsamleren delvis påmontert.
- Koble fra bladene og stopp motoren før du forlater traktorsetet for å tømme beholderne, rense sjaktene osv.
- Lukk lokket før du begynner.
- Koble fra klipperen når du kjører over innkjørsler, grus eller andre områder der bortkastede objekter kan medføre skade.
- Ikke forsøk å suge opp blikkbokser eller andre potensielt farlige prosjektiler.

GENERELLE ANBEFALINGER

Respekter alltid sikkerhetsregler når du utfører vedlikehold.

- Sjekk om noe sitter løst før hver anvendelse.
- Rengjør maskinen grundig etter hver anvendelse.

VEDLIKEHOLD AV BLAD

Klipperbladene må holdes skarpe for å oppnå best mulig resultat. Skift ut bøyde eller ødelagte blader.

- Les instruksene for VEDLIKEHOLD AV BLADENE i traktorens håndbok.

⚠ FORSIKTIG: FØR DU UTFØRER NOE VEDLIKEHOLD, SERVICE ELLER JUSTERINGER:

- Trykk ned bremsepedalen og dra i håndbrekket.
- Plasser girspaken/bevegelsesspaken i fri (N) posisjon.
- Plasser clutchen i «FRAKOBLET» posisjon.
- Vri tenningsnøkkelen til «OFF» posisjon.
- Sørg for at bladene og alle bevegelige deler har stanset fullstendig.
- Koble tennpluggledninger fra tennpluggene og legg ledningen der den ikke kan komme i kontakt med pluggen.

⚠ FORSIKTIG: Bestanddeler i gressoppsamleren er utsatt for slitasje, skade eller forringelse, noe som kan eksponere bevegelige deler eller tillate at objekter kastes utover. Sjekk komponentene regelmessig og skift dem ut med produsentens anbefalte deler om nødvendig.

OPPBEVARING

Når gressoppsamleren skal lagres for en tid, rengjør den grundig, fjern all jord, gress, løv osv. Lagres på et rent, tørt sted.

⚠ FORSIKTIG: Ikke la gress være igjen i beholderne. Tøm beholderne etter hver anvendelse og før lagring. Hvis dette ikke gjøres, kan det utvikles gnister som kan føre til brann.

SIKKERHEDSREGLER

Vejledning i sikker bruk af selvkørende plæneklippere

VIKTIG: Denne plæneklipper kan, i værste fall, amputere hender og fødder og slynge genstande langt væk. Hvis du ikke følger følgende sikkerhetsinstruksjoner, kan det medføre alvorlige kvæstelser eller død.

I. UDDANNELSE

- Læs instruksjonene omhyggelig.
- Du bør have kendskab til betjeningsgrebene og korrekt bruk af udstyret.
- Lad ikke børn, eller personer der ikke har kendskab til instruksjonene, benytte plæneklipperen. Benyt ikke plæneklipperen, mens mennesker, spesielt børn, eller kæledyr opholder sig i nærheten.
- Husk, at føreren eller brukeren er ansvarlig for ulykker eller evt. faresituasjoner, der forekommer, overfor andre mennesker eller deres eiendom.
- Ikke tillatt med passasjerer.
- Føreren skal have fyldestgørende instruksjoner i brugen af plæneklipperen. Disse instruksjoner bør lægge vekt på:
 - behovet for at være omhyggelig og koncentreret ved arbeid med selvkørende maskiner;
 - at man ikke kan få kontroll over en selvkørende maskiner, der glider på en skråning, ved at træde på bremsen.

De viktigste årsager til at miste kontrollen er:

- a) Utilstrækkelig hjulgreb
- b) For hurtig kørsel
- c) Manglende bremsekraft
- d) Maskintypen er uegnet til arbeidsoppgaven;
- e) Manglende viden om terrenforholdene, spesielt skråninger;
- f) Ukorrekt bugsering og lastfordeling.

II. FORBEREDELSE .

- For å reduserer risiko for brann - før bruk, ved fylling og etter hver gang du klipper – inspiser og fjern opphopning av avfall fra traktoren, klipperen og alle skjermer.
- Når du slår græs, skal du alltid benytte solidt fottøy og lange bukser; du må ikke være barfodet eller gå med åpne sandaler.
- Etterse området grundigt, hvor plæneklipperen skal benyttes, og fjern alle genstande, som kan slynge væk af maskinen.
- ADVARSEL - Benzin er yderst brandfarligt.
 - Opbevar brændstof i dunke, der er godkendt til formålet.
 - Påfyll kun brændstof udendørs. Rygning er forbudt ved påfyldning af brændstof.
 - Påfyll brændstof, før motoren startes. Tag aldrig dækslet af brændstofftanken eller påfyll benzin, mens motoren er i gang eller er varm.
 - Ved spill af brændstof: For at undgå at antænde brændstoffet må du ikke forsøge at starte motoren, før du har flyttet maskinen væk fra stedet, hvor brændstoffet blev spildt.
- Udskift evt. defekte lydpotter.
- Forud for brug, bør du altid efterse følgende grundigt for slid eller skader: Knive, knivbolte og skærehoveder. Udskift slidte eller beskadigede knive og bolte i sæt, for at bevare balancen.
- Da maskinen har flere knive, bør du være forsigtig, fordi de andre knive kan dreje med, når du drejer én kniv.



III. BETJENING

- Lad ikke motoren gå i lukkede rum, hvor der kan udvikles farlig kulilte.
- Benyt kun plæneklipperen i dagslys eller i god kunstig belysning.
- Slå alle koblinger, der betjener knive, fra og sæt plæneklipperen i frigear, før du forsøger at starte motoren.
- Kør ikke på skråninger på over 5°.
- Husk, der findes ingen "sikre" skråninger. Vær særdeles forsigtig ved kørsel på græsklædte skråninger. Gør følgende, for at undgå at vælte:
 - stands eller start ikke pludseligt ved kørsel op ad eller ned ad bakke;
 - kobl langsomt til, og hold altid maskinen i gear, især når du kører ned ad bakke;
 - kør langsomt med maskinen på skråninger og i skarpe sving;
 - hold udvig efter knolde og huller og andre skjulte farer;
 - kør aldrig tværs over en skråning med plæneklipperen, med mindre den er beregnet til dette formål.
- Vær forsigtig, når du bugserer eller benytter tungt udstyr:
 - Benyt kun godkendte trækstilkoblinger.
 - Læsset må ikke være så stort, at du mister kontrollen over det.
 - Undgå skarpe sving. Vær forsigtig ved baglænskørsel.
- Hold øje med trafikken, når du krydser eller arbejder nær veje.
- Stands knivenes rotation, inden du kører ud på andre overflader end græs.
- Når du benytter tilbehør, må du aldrig rette det udkastede materiale mod de tilstedeværende eller lade personer komme nær maskinen, mens den er i arbejde.
- Benyt aldrig plæneklipperen med defekte skærme, eller uden at beskyttelsesudstyret er monteret.
- Du må ikke ændre motorens regulatorindstilling eller overskride motorens tilladte hastighed. Hvis motoren kører med for stor hastighed, kan det forøge risikoen for personskader.
- Før du forlader førersædet, skal du:
 - koble kraftoverføringen fra og sænke klippeaggregatet;
 - sætte maskinen i frigear og trække parkeringsbremsen;
 - standse motoren og fjerne nøglen.
- Kobl kraftoverføringen til tilbehøret fra, stands motoren og afbryd tændrørsledningen/erne eller fjern tændingsnøglen...
 - før blokeringer eller tilstopninger i græsudkasterrøret fjernes;
 - inden kontrol, rengøring eller arbejde på plæneklipperen;
 - efter at have ramt et fremmedlegeme. Efterse plæneklipperen for skader og foretag reparationer, før du starter maskinen og benytter den igen;
 - hvis maskinen begynder at vibrere unormalt, kontroller den omgående.
- Kraftoverføringen til tilbehøret skal kobles fra ved transport, eller når den ikke er i brug.
- Motoren standses og kraftoverføringen til knivene frakobles...
 - inden for påfyldning af brændstof;
 - inden græsbeholderen tages af;
 - inden der foretages højdejustering, med mindre justeringen kan foretages fra førersædet.
- Reducer hastigheden, mens motoren standses. Hvis motoren er udstyret med en afspæringsventil, lukkes for brændstoffet, når du er færdig med at slå græs.

IV. VEDLIGEHOLDELSE OG OPLAGRING

- Sørg for, at alle møtrikker, bolte og skruer er spændt sikkert for at sikre, at udstyret er i forsvarlig driftsmæssig stand.
- Udstyret må aldrig oplagres med benzin i tanken i en bygning, hvor dampene kan komme i forbindelse med åben ild eller gnister.
- Lad motoren køle af, før plæneklipperen oplagres i en lukket bygning.
- Brandfaren reduceres, ved at rengøre motoren, lyd-potten, batterirummet og brændstoffområdet for græs, blade og overskydende smørefedt.
- Efterse klippeaggregatet hyppigt for slid eller beskadigelse.
- Udskift slide eller beskadigede dele af sikkerhedsgrunde.
- Hvis brændstofftanken skal tømmes, skal det gøres udendørs.
- Da maskinen har flere knive, bør du være forsigtig, fordi de andre knive kan dreje med, når du drejer én kniv.
- Når maskinen skal parkeres, oplagres eller efterlades uden tilsyn, sænk klippeaggregatet, med mindre der benyttes en mekanisk lås.

⚠ ADVARSEL: Fjern altid tændrørsledningen, og anbring ledningen, så den ikke kan berøre tændrøret, for at forhindre utilsigtet start, når plæneklipperen klargøres, transporteres, justeres eller der foretages reparationer.

A NAVNE PÅ DELENE

1. Beholderens øverste del
2. Beholderens bund
3. Øverste udkastrør
4. Nederste udkastrør
5. Låg
6. Indikator for Fuld
7. Øverste udkastrørspal
8. Nederste udkastrørspal
10. Bæremodul

B BÆREMODUL

- a. Din traktor har allerede installeret re (4) ansatsbolte på bagerste trækboom, hæng blot bæremodul i boltene (1).
- b. Når bæremodul skal tages af, trækkes så meget udad i stopbeslaget (2), at bæremodul kan løftes op og væk fra trækboommen.

C LÅGET (1) TIL BÆREMODULET (2)

BEMÆRK: Det er lettere at være to personer, når låget skal monteres på traktoren.

- a. Placer låget på jorden bag traktoren som vist.
- b. Løft og drej låget så lågets beslag er ud for bæremodul.
- c. Lad lågets beslag glide ned på bæremodul.

D SAMLING AF BEHOLDER

- a. Placer nederste halvdel (1) i øverste halvdel (2).
- b. Stå med en fod i bunddelen, og løft den øverste halvdel, så den passer med bunddelen.
- c. Pres halvdelene tæt sammen, mens der løftes i den øverste del for at låse den på plads, som vist.

VIGTIGT: FØR TAPPERNE LÅSES (3), SKAL DE BUKKEDE ENDER I HVER HALVDEL OVERLAPPE HINANDEN OG UDGØRE EN FORSEGLING SOM VIST PÅ DEN INDSATTE DETALJETEGNING.

- d. Gentag for andre beholdere.

KONTROL AF SAMLING: Pres siderne sammen i nederste halvdel af beholderen, og kontroller, at der ikke er noget hul mellem øverste og nederste halvdele. Hvis der fremkommer et hul, åbnes tapperne for at adskille beholderhalvdelen, og instruktionerne ovenfor gentages.

E MONTERING AF BEHOLDEREN

- a. Montér først beholderen i venstre side (1) Montér den anden beholder i højre side (2).

BEMÆRK: Venstre kant på højre beholder skal altid overlappe højre kant på venstre beholder ved midterstøtten (3).

- b. Luk låget, og lås håndtaget (4) over midterstøtteren (3).

F FASTGØR NEDERSTE UDKASTRØR

- a. Rejs og hold de ektorskærmen (1) i opret position.
- b. Placér rillen i nederste udkastrør over tappen (2) på klipperens dæk, og placér nederste udkastrør over dækåbningen, som vist.
- c. Hægt bagerste udkastrørspal (3) til angehullet bag på klipperens dæk.
- d. Hægt forreste pal (4) til taphullet foran på klipperens dæk.

FORSIGTIG: Fjern ikke afskærmningsskærm (1) fra klipperen. Rejs, og hold skærmen, når nederste udkastrør fastgøres, og lad det hvile på udkastrøret, når klipperen er i drift.

G ØVERSTE UDKASTRØR

- a. Sænk klipperen til dens laveste klippeposition.
- b. Saml øverste udkastrør (1) ved at indsætte den krumme ende i hullet bag på låget (2).
- c. Skub og drej øverste udkastrøret, indtil det er på linje med nederste udkastrør (3).
- d. Tilpas studerne (4) på nederste udkastrør til tilpasningsrillerne (4) på øverste udkastrør, og skub dem sammen.
- e. Lås med gummiholderen (5) ved at hægte hullet i holderen på pinden (6).



TIPS FOR FORBEDRET OPSAMLINGSOPERATION:

Følg brugsvejledningen for klipperen i din traktors brugermanual. Kontroller, at klipperen er i korrekt niveau til den bedste klipning.

Når græsopsamleren betjenes på en plæne, hvor græs- og bladopsamlingsudstyr ikke har været anvendt, opsamles afklip og affald, der har samlet sig i en længere periode. Den opsamlende mængde og forbruget af tid vil være betydeligere end den mængde og tid, der ellers vil være ved regelmæssig brug af græsopsamleren.

- Kør altid med speederen på fuld hastighed, når der opsamles græs.
- Vælg et gear, der er lavt nok til at give en god klippepræstation, god klipning og god opsamling.

BEMÆRK: Det kan være nødvendigt at overlappe klippebredden alt efter forholdene.

- Hvis græsset er meget højt, skal det klippes to gange. Første gang relativt højt og anden gang til den ønskede højde.
- Brug venstre side af klipperen til kantklipping.
- Plastik affaldsposer kan indsættes i græsopsamlerens beholder for at lette bortskaffelse af affaldet. Sådan fjernes plastikaffaldsposen, når den er fuld:
 - a. Kobl knivene fra, skift til frigear, træk parkeringsbremsen, og stop motoren.
 - b. Løft sædet. Frigør palen, og løft låget.
 - c. Fjern en beholder ad gangen ved at tage om beholderens håndtag og trække bagud, væk fra rørværket.
 - d. Med beholderen stående på jorden, lukkes for toppen af plasticsækken.
 - e. Vip beholderen om på siden, og skub den fyldte sæk ud af beholderen.
 - f. Indsæt en ny plastiksæk med sækken kanter vredet ud over øverste kant af beholderen.
 - g. Gentag for andre beholdere.
 - h. Sæt beholderne på plads, idet det sikres, at højre beholder overlapper venstre beholder ved midterstøtten.
 - j. Luk låget, og fastgør palerne over midterstøtterne.
- Undgå at klippe vådt græs eller at klippe om morgenen, når duggen stadig er på græsset. Græsafklip, der samles under sådanne forhold, har tendens til at klistre sammen og klæbe til siderne på sin vej og derved forårsage tilstopning af maskinen.
- Din opsamler er udstyret med en indikator for Fuld. Hjulets bevægelse følges efterhånden som sækkene fyldes. Hjulet drejer hurtigst, lige før at sækken er helt fyldt. Når hjulet stopper, angiver det, at sækken er fuld, og at udkastrørene er tilstoppede.

BEMÆRK: For at forhindre tilstopning af udkastrørene, skal sækkene tjekkes/tømmes, når hjulet drejer hurtigt. Med lidt øvelse vil du snart vide, hvornår det er bedst at tømme sækkene.

- Vær forsigtig med ikke at ødelægge delene og med at hjulet kan dreje frit ved begyndelsen af hver ibrugtagning.
- Hvis græsopsamleren ikke opsamler græs eller blade, er det et tegn på, at der er opstået tilstopning i systemet, eller at græsopsamlerens beholdere er fyldte. Dette angives normalt ved at bevægelsen af Fuld-indikatoren stopper.
 - a. Kobl knivene fra, skift til neutral, træk parkeringsbremsen, og stop motoren.
 - Løft sædet. Frigør palen, og løft låget.
 - Skub beholderne ud, og fjern det afklippede græs.
 - Sæt beholderne på plads, luk låget, og fastgør palen.
 - b. Åbn udkastrørene, og kontroller for tilstopning.
 - Fjern alt græs og blade i udkastrørene.
 - Saml og lås udkastrørene med palerne igen.
 - c. Kontroller, for at sikre at indikatoren for Fuld ikke er blevet tilstoppet.
 - Lufthullet skal være fri for snavs og græs. Indsæt forsigtig en lille kvist eller ledning for at rense passagen.



FORSIGTIG

- **Betjen ikke klipperen med græsopsamleren delvist installeret.**
- **Frakobl knivene, og stop motoren, før du forlader traktorsædet for at tømme beholderne, fjerne tilstopning fra udkastrørene, osv.**
- **Luk låget, før der startes.**
- **Frakobl klipperen, når der køres over veje eller overflader med grus og andre områder, hvor smidte genstande kan udgøre en fare.**
- **Forsøg ikke at opsamle dåser eller andre ting, der kan være farlige projektiler.**

GENERELLE ANBEFALINGER

Overhold altid sikkerhedsforskrifterne, når der udføres vedligeholdelse.

- Før hver ibrugtagning kontrolleres for løse dele.
- Rengør enheden grundigt efter hver brug.

VEDLIGEHOLDELSE AF KNIVE

For at opnå de bedste resultater skal knivene holdes skarpe. Udskift bøjede eller beskadigede knive.

- Se anvisninger for VEDLIGEHOLDELSE AF KNIVE i din traktors brugermanual.

⚠ FORSİGTİG: FØR DER UDFØRES NOGEN FORM FOR VEDLİGHELD, REPARATION ELLER JUSTERING:

- Tryk koblingsbremspedalen helt i bund, og træk parkeringsbremsen.
- Sæt gearstangen i neutral position (N).
- Sæt koblingskontrol i positionen »DISENGAGED« (udkoblet).
- Drej tændingsnøglen til positionen »OFF«.
- Sørg for at knivene og alle bevægelige dele er helt stoppede.
- Frakobl tændrørslodninger fra tændrør, og placer ledningen, hvor den ikke kan komme i kontakt med tændrør.

⚠ FORSİGTİG: Græsopsamlerens komponenter kan blive slidte, ødelagte og beskadigede, hvilket kan medføre at bevægende dele eller genstande bliver slynget ud. Kontroller jævnlige komponenter, og udskift dem med forhandlerens anbefalede dele, når det er nødvendigt.

OPBEVARING

Når græsopsamleren skal opbevares i en længere periode, skal den renses grundigt. Alt snavs, græs, blade, osv. skal fjernes. Opbevar den på et rent og tørt sted.

⚠ FORSİGTİG: Efterlad ikke græs i beholderne. Tøm beholderne efter hver brug og før opbevaring. Hvis dette ikke gøres, kan det medføre sammenbrænding, som kan føre til brand.

SIKKERHETSFORANSTALTNINGER

Sikkerhedsregler for drift af førerstyrte gressklippere

VİGTİG: Denne klipperen er i stand til å kutte av hender og føtter samt kasteting rundt omkring. Hvis du unnlater å overholde de følgende sikkerhetsforanstaltninger kan dette resultere i alvorlig skade eller dødsfall.

I. OPPLÆRING

- Bruksanvisningene må leses nøye. Pass godt på at du gjør deg kjent med betjeningsutstyret og lærer hvordan det skal brukes.
- La aldri barn eller uvedkommende personer som ikke er kjente med bruksanvisningene bruke gressklipperen/traktoren. Lokale retningslinjer kan eventuelt begrense operatørens aldersgrense.
- Bruk aldri gressklipperen mens folk, spesielt barn eller dyr, befinder seg i nærheten.
- Husk alltid på at operatøren eller brukeren har ansvaret for de ulykker eller farer som eventuelt forekommer på andre mennesker eller deres eiendommer.
- Passagerer må ikke medtages.
- Alle førere bør oppsøke og anskaffe seg både profesjonell og praktisk opplæring. Denne type opplæring bør legge vekt på det følgende:
 - Behov for omtanke og konsentrasjon mens drift av førerstyrte maskiner nær stedet;
 - kontroll av en førerstyrt gressklipper i nedoverbakke vil ikke bli gjenfunnet kun ved bruk av bremsen.

Hovedårsaken til tap av denne type kontroll er det følgende:

- a) utilstrekkelig grep i rattet;
- b) for fort kjøring;
- c) utilstrekkelig bruk av bremsen;
- d) maskintypen egner seg ikke til denne oppgaven;
- e) mangel på forståelse av virkningene fra bakkeforhold, spesielt i nedoverbakke;
- f) feil feste- og belastningsfordeling.

II. FORBEREDELSE

- For å minske brandfare – før bruk, når der påfyldes brændstof og efter hvert klippearbejde – bør traktor, klipper og afskærmninger efterses samt ophobet affald fjernes.
- Når gressklipperen/traktoren er i bruk, er det viktig at føreren alltid bruker kraftige sko og lange bukser. Kjøretøyet må ikke drives barbert eller med åpne sandaler.
- Kontroller hele området hvor utstyret skal brukes og fjern eventuelle ting som lett kan bli slengt omkring av maskinen.
- ADVARSEL - Bensin er meget brannfarlig.
 - Oppbevar brensel i spesielle beholdere laget til dette formål.
 - Fyll kun på bensin utendørs. Det er viktig å huske på at røyking mens man fyller på bensin er meget farlig.
 - Bensenen må tilsettes før maskinen startes. Ta aldri lokket av bensintanken eller tilsett bensin mens motoren er i gang eller mens den er varm.
 - Hvis du tilfeldigvis søler med bensin, må du ikke prøve å starte motoren. Flytt maskinen bort fra det området hvor du sølte, og la vær å start motoren igjen helt til bensinlukten har forsvunnet.
 - Sett alle lokkene på brenselstankene og beholderne godt fast igjen.
- Fjern alle defekte lyddempere.
- Før du tar maskinen i bruk, må du alltid sjekke kjøretøyet visuelt for å være sikker på at bladene, bladskruene og hele skjæremonteringen ikke har blitt slitt eller skadet. Eventuelle slitte eller skadede blader og skruer erstattes i satsen slik at balansen opprettholdes til alle tider.
- På maskiner med flere blader, vær forsiktig da rotering av ett blad, kan forårsake at andre blader også begynner å rotere.

(DK)

III. DRIFT

- Denne maskinen må ikke brukes innenfor et begrenset området hvor farlig karbonmonoksid kan oppsamles.
- Bruk gressklipperen/traktoren kun om dagen eller med godt kunstig lys.
- Før du prøver å starte motoren, må alle bladfastgjørings-kløtsjer og gear settes i fri.
- Bruk ikke traktoren på skråninger på mer enn 5 grader.
- Husk at det finnes ikke noen "trygg" nedoverbakke. Kjøring på skråninger med gress krever spesiell forsiktighet. Det følgende bør overholdes som beskyttelse mot kantring:
 - ikke stopp eller start plutselig mens du kjører opp eller nedover en bakke;
 - sett kløtsjen i gang forsiktig, og hold alltid maskinen i gear, spesielt når du kjører nedover en bakke;
 - kjør alltid meget langsomt nedover en bakke, og i løpet av skarpe svinger;
 - pass godt på å unngå humper og hull i bakken og andre usynlige farer;
 - kjør aldri gressklipperen/traktoren på tvers over en bakke, med mindre gressklipperen er spesiallaget til dette formål.
- Vær forsiktig når du har tung last eller annet tungt utstyr.
 - Må kun brukes på godkjente trekkbare festepunkter.
 - Begrens lasten til en vekt som du er sikker på at du kan greie.
 - Ta ikke for skarpe svinger. Vær forsiktig når du kjører i revers.
 - Bruk mot- eller hjulvekt hvis dette forslaget er inkludert i bruksanvisningene.
- Pass på traktoren når du kjører på tvers av eller i nærheten av gater.
- Pass på at bladene ikke roterer når du kjører over andre overflater enn gress.
- Når du bruker tilleggsutstyret, må du alltid passe godt på at gress avløpet eller annet material ikke rettes mot uvedkommende personer, og at ingen kommer i nærheten av maskinen mens den er i drift.
- Bruk aldri gressklipperen/traktoren med mangelfulle beskyttelsesplater, skjermmer eller uten at beskyttelsesutstyret er på plass.
- Motorens regulatorinnstillinger må ikke endres, og motoren må ikke kjøres for fort. Drift av motoren med ekstra sterk hastighet kan forårsake personskader.
- Før du forlater førerstedet, må du gjøre det følgende:
 - slå av "power-starten" og senk tilleggsutstyret;
 - sett maskinen i fri og sett på parkeringsbremsen;
 - slå av motoren og ta ut nøkkelen.
- Slå av drivet til tilleggsutstyret; slå av motoren; slå av tennpluggkablene, og fjern tenningsnøkkelen
 - før du skal rengjøre blokkeringer eller forhindre tilstopping av gressskjaktet;
 - før du kontrollerer, rengjør eller arbeider på gressklipperen;
 - hvis du har kommet bort i en fremmed gjenstand, må du kontrollere gressklipperen nøye for å se om eventuell skade og reparasjoner må utføres før du kan ta utstyret i bruk igjen;
 - hvis maskinen begynner med unormale vibrasjoner (dette må undersøkes øyeblikkelig).
- Slå av drivet til tilleggsutstyret mens gressklipperen transporteres eller ikke er i bruk.
- Slå av motoren og slå av drivet til tilleggsutstyret
 - før du fyller opp med ny bensin;
 - før du fjerner gressfangeren;
 - før du utfører høydejusteringer med mindre dette kan gjøres fra førerstedet.
- Slå ned strupeinnstillingen hvis motoren løper ut, og hvis motoren er utstyrt med en avstengningsventil, slå av bensenen når du er ferdig med å klippe gresset.

IV. VEDLIKEHOLD OG OPPBEVARING

- Pass på at alle skruer og bolter sitter godt fast for å kunne forsikre deg om at utstyrets driftsforhold er gode og trygge.
- Maskinen må aldri oppbevares med bensin i tanken innendørs hvor dunstene kan nå åpenne rom eller gnister.
- La motoren avkjøles før gressklipperen settes til oppbevaring hvor som helst.
- For å kunne redusere fare for brann, må motoren, lyddemperen, batteriseksjonen og bensinbeholderen holdes borte fra gressområder, løv, eller områder som er omgitt av meget olje.
- Sjekk gressfangeren ofte for å unngå slitasje eller skade.
- Slitte eller ødelagte deler må sjekkes ofte av sikkerhetsmessige årsaker.
- Hvis bensintanken må tømmes, må dette gjøres utendørs.
- På en maskin med flere blader, er det viktig å være forsiktig mens et blad roteres, da dette kan forårsake at andre blader også begynner å rotere.
- Når traktoren skal parkeres; settes til oppbevaring, eller ikke er i bruk, bør skjæremidlene senkes, med mindre en positiv mekanisk lås er i bruk.

⚠ ADVARSEL: Tennpluggkabelen må alltid slås av, og kabelen må plasseres der hvor det ikke er mulig å ta kontakt med tennpluggen for å unngå tilfældig oppstart i løpet av igangsetting, transport, justering eller reparasjon.

A OSALUETTELO

1. Säiliön yläosa
2. Säiliön alaosa
3. Ylempi kouru
4. Alempi kouru
5. Kansi
6. Täyden pussin ilmaisija
7. Ylemmän kourun kiinnike
8. Alemman kourun kiinnikkeet
10. Tuki

B TUEN ASENNUS

- a. Traktorissasi on jo neljä (4) kulmapulttia asennettuina vetotangon taakse, ripusta tuki yksinkertaisesti näille pulteille (1).
- b. Ottaessasi tukea pois vedä kiinnityskappaletta (2) ulospäin niin paljon, että tuen voi nostaa ylös ja pois vetotangolta.

C KANNEN ASENNUS (1) TUKEEN (2)

HUOM: Jotta asennus olisi helppoa, on ehkä tarpeen käyttää toista henkilöä apuna asentaessasi suojasta traktoriin.

- a. Aseta kuori maahan traktorin taakse kuvan esittämällä tavalla.
- b. Nosta ja kierrä kuorta, jotta se olisi samassa kohtaa tuen kanssa.
- c. Liu'uta kuori tuelle.

D SÄILIÖN ASENNUS

- a. Asenna alapuolisko (1) yläpuoliskon sisään (2).
- b. Laita yksi jalka alapuoliskon sisään ja nosta yläpuoliskoa, jotta kohtaa alapuoliskon.
- c. Paina puoliskoja tiiviisti yhteen nostaessasi yläosaa kiinnittäaksesi sen paikoilleen kuvan osoittamalla tavalla.

TÄRKEÄÄ: ENNEN LAIPPOJEN LUKITUSTA (3), MOLEMPIEN KOUKUREUNAPUOLISKOJEN TULEE OLLA PÄÄLLEKÄIN MUODOSTAEN TIIVIIN KOKONAISUUDEN KUVAN OSOITTAMALLA TAVALLA.

- d. Tee sama toisille säiliöille.

ASENNUKSEN TARKISTUS: Purista säiliön alaosan sivuja ja tarkista, että niissä ei ole väliä ylä- ja alaosan välissä. Jos väliä kuitenkin on, irrota kiinnikkeet ja erota puoliskot, toista yllä kuvatut toimenpiteet.

E SÄILIÖN ASENNUS

- a. Asenna yksi säiliö ensin vasemmalle puolelle (1). Asenna toinen säiliö oikealle puolelle (2).

HUOM: Oikean säiliön vasemman sivun tulee olla aina vasemman säiliön oikean reunan päällä keskituella (3).

- b. Sulje kansi ja lukitse sulkukädensija (4) keskituen päälle (3).

F ALEMMAN KOURUN KIINNITYS

- a. Nosta suojalevy (1) ylös ja pidä se ylhäällä.
- b. Laita alemman kourun aukko alemman kourun (2) kiinnikkeeseen kannella ja asenna alempi kouru aukolle kuvan osoittamalla tavalla.
- c. Kiinnitä takakiinnike (3) laipan aukkoon leikkurin kannen takaosassa.
- d. Laita etukiinnike (4) aukkoon leikkurin kannen edessä.

VAROITUS: Älä poista suojalevyä (1) ruohonleikkurista. Nosta levyä ja pitele sitä, kun kiinnität alemmaa kourua ja anna sen levätä kourua vasten käytössä.

G YLEMPI KOURU

- a. Laske ruohonleikkuri alimpaan leikkausasentoonsa.
- b. Asenna ylempi kouru (1), laita käyrä pää kannen takapäähän aukkoon (2).
- c. Työnnä ja käännä ylempää kourua, kunnes se on samassa linjassa alemman kourun kanssa (3).
- d. Laita ulkonemat (4) alemmassa kourussa samaan linjaan ylemmän kourun aukkojen (4) kanssa ja yhdistä ne.
- e. Varmista kumikiinnikkeen avulla (5) laita kiinnikkeen aukko tapille (6).

FI VINKKEJÄ RUOHON KERÄÄMISTOIMINNAN PARANTAMISEKSI:

Noudata seuraavia ruohonleikkurin käyttöohjeita traktorin käyttäjän käsikirjassa.

Varmista, että leikkuri on kunnolla tasattu, jotta saisit parhaan leikkuutuloksen.

Kun käytät ruohonleikkuria alueella, josta ei ole poistettu ruohoa tai lehtiä, laite kerää pitkän ajan kuluessa kasaantunutta jätettä. Sen määrä ja kokonaiskäyttöaika voivat olla suuremmat kuin osaat olettaa leikattuasi tavallista nurmikkoa ruohonkerääjän kanssa.

- Käytä aina kuristinta täydellä teholla kerätessäsi ruohoa.
- Valitse riittävän pieni vaihde, jotta saat kunnollisen leikkuutuloksen ja –tehon ja ruoho kerääntyy kunnolla kerääjään.

HUOM: Voi olla tarpeen ajaa uudestaan sama leveys kunnollisen tuloksen saavuttamiseksi olosuhteissa.

- Jos ruoho on hyvin pitkää, se pitää leikata kahteen kertaan. Ensimmäinen ajokerta on melko korkea, toinen kerta on halutun korkuinen.
- Käytä leikkurin vasenta puolta tasoittamiseen.
- Ruohonkerääjän säiliöiden sisälle voi laittaa muovipusseja roskien keräämisen helpottamiseksi. Ottaessasi täyttä muovipussia pois:
 - a. Vapauta terät, laita laite vapaalle; laita seisontajarru päälle ja sammuta kone.
 - b. Nosta istuinta. Vapauta kansi ja nosta se.
 - c. Poista yksi säiliö kerrallaan, ota kiinni kädensijoista ja vedä taaksepäin irti kiskoista.
 - d. Laita säiliö maahan, sulje ja varmista muovinen ruohopussi.
 - e. Kallista säiliö sivulle ja liu'uta täysinäinen pussi säiliöstä.
 - f. Asenna uusi muovinen ruohopussi paikoilleen, sen reunojen tulee olla käännettyinä säiliön reunojen yli.
 - g. Tee sama muille säiliöille.
 - h. Laita säiliöt takaisin paikoilleen ja varmista, että oikea säiliö menee vasemman säiliön päälle keskituella.
 - j. Sulje kansi ja varmista kiinnikkeet keskitukien yli.
- Älä leikkaa kosteaa ruohoa aamulla, kun kastetta on vielä paljon. Tällaisissa olosuhteissa leikattu ruoho takertuu kiinni ja tarttuu seinämiin kiinni aiheuttaen tukkeentumista.
- Ruohonkerääjäsi on varustettu säiliön pussien täyttymisen ilmaisijalla. Pyörän liike kiihtyy pussin täytyessä. Pyörä pyörii nopeimmin juuri ennen pussien täyttymistä kokonaan. Kun pyörä pysähtyy, se on merkki siitä, että säiliö on täynnä ja kourut ovat tukkeentuneet.

HUOM: Jotta välttyisit kourujen tukkeentumiselta, tarkista/tyhjennä pussit; kun pyörä pyörii nopeasti. Kokemus opettaa sinulle, koska on parasta tyhjentää pussit.

- Ole varovainen, jotta et vahingoita osia ja että pyörä pyörii vapaasti aina käytön alussa.
- Jos ruohonkerääjä ei pysty keräämään ruohoa tai lehtiä, se on merkki siitä, että järjestelmässä on tukos tai että ruohonkeruusäiliöt ovat täynnä. Tämä ilmenee yleensä keruun ilmaisimen pysähtyneenä liikkeenä.
 - a. Irrota terät, laita vapaalle, laita seisontajarru paella ja sammuta moottori.
 - Nosta istuin, vapauta ja nosta päällys.
 - Liu'uta säiliöt ulos ja poista leikkujäte .
 - Laita säiliöt paikoilleen, sulje päällys ja lukitse se.
 - b. Irrota kourut ja tarkista mahdolliset tukkeentumiset.
 - Poista kaikki roskat kouruista.
 - Kokoa ja lukitse kourut paikoilleen
 - c. Tarkista, että täyden pussin ilmaisim ei ole tukkeentunut.
 - ilma-aukkojen tulee olla puhtaita roskista. Laita aukkoon oksa tai lanka aukon puhdistamiseksi.

VAROITUS

- Älä käytä ruohonleikkuria, jos sen ruohonkerääjää ei ole asennettu kunnolla.
- Vapauta terät ja pysäytä moottori ennen kuin poistut traktorin istuimelta tyhjentääksesi säiliöitä, puhdistaksesi tukkeentuneita kouruja jne.
- Sulje kansi ennen aloitusta.
- Vapauta ruohonleikkuri ajassasi kulkuväylien soralla päällystettyjen alueiden yli tai ylittäessäsi alueita, joille on heitelty esineitä, jotka ovat mahdollisesti vaarallisia.
- Älä yritä imeä purkkeja tai muita mahdollisesti vaarallisia kappaleita, jotka voivat sinkoutua.

YLEISIÄ SUOSITUKSIA

Noudata aina turvaohjeita tehdessäsi huoltotoita.

- Tarkista aina ennen käyttöä, että laitteessa ei irronneita osia.
- Puhdista laite huolellisesti jokaisen käytön jälkeen.

TERIEN HOITO

Jotta saat parhaan tuloksen, terät on pidettävä terävinä. Vaihda taipuneet tai vahingoittuneet terät.

- Katso TERIEN HOITO-OHJEITA traktorin käyttökäsi kirjassa.
- **VAROITUS: ENNEN HUOLTO- KORJAUS- TAI SÄÄTÖ- IMIEN TEKEMISTÄ:**
 - Paina kytkinjarrupoljin pohjaan ja laita seisontajarrupäälle.
 - Laita vaihdevipu/ajovipu vapaa-asentoon (N).
 - Paina kytkin asentoon "DISENGAGED" (vapaa).
 - Käännä virta-avain asentoon "OFF".
 - Varmista, että terät ja kaikki liikkuvat osat ovat pysähtyneet kokonaan.
 - Irrota tulpan johdot sytytystulpista ja laita johdot siten, että ne eivät voi koskea tulppiin.

VAROITUS: Ruohonkerääjän osat kuluvat ja ne voivat vaurioitua, tästä syystä liikkuvat osat voivat sinkoutua tai singota esineitä. Tarkista osat säännöllisesti ja vaihda ne valmistajan suosittelemilla osilla, jos se on tarpeen.

SÄILYTYS

Kun ruohonkerääjä laitetaan säilytykseen pidemmäksi aikaa, se tulee puhdistaa huolellisesti, poista kaikki lika, ruoho, lehdet jne. Säilytä puhtaassa ja kuivassa paikassa.

VAROITUS: Älä koskaan jätä ruohoa säiliöihin. Tyhjennä ne aina käytön jälkeen ja ennen säilytystä. Jos et toimi näin, laite voi syttyä itseksensä tuleen.

TURVALLISUUSSÄÄNNÖT

Ajettavien ruohonleikkureiden turvallinen käyttö

TÄRKEÄÄ: Tämä leikkuri voi vahingoittaa Käsiä ja jalkoja ja se voi heittää esineitä. Alla olevin turvallisuussääntöjen laiminlyöminen voi johtaa vakavaan vammaan tai duolemaan.

I. KOULUTUS

- Lue ohjeet huolellisesti. Tutustu säätimiin ja opettele välineiden oikea käyttö.
- Älä koskaan anna lasten tai ihmisten, jotka eivät ole tutustuneet käyttöohjeisiin, käyttää ruohonleikkuria. Paikalliset säännöt voivat rajoittaa ajajan ikää.
- Älä koskaan leikkaa ruohoa, kun ihmisiä, varsinkin lapsia on lähellä.
- Muista, että ajaja tai käyttäjä on vastuussa alueella toisille ihmisille sattuvista onnettomuuksista tai vaaroista.
- Älä kuljeta matkustajia.
- Kaikkien ajajien on saatava ammattaitoista ja käytännöllistä opetusta. Sen tulee korostaa:
 - huolellisuuden ja keskittymisen tarvetta ajettavien ruohonleikkureiden käytössä.
 - ajettavan ruohonleikkurikoneen hallintaa ei voi palauttaa jarrun avulla, jos se alkaa liukua rinteellä.

Hallinnan menetyksen pääsyyt ovat:

- a) riittämätön pyörien tartunta;
- b) liian nopea ajo;
- c) riittämätön jarrutus;
- d) konetyyppi on sopimaton sen suorittamaan tehtävään;
- e) maaolosuhteiden, erityisesti rinteiden huomioonotto ajettaessa;
- f) väärä kytkentä ja kuormituksen jakautuminen.

II. VALMISTELU

- Pientenäksesi paloriskiä: ennen käyttöä, tankkauksen aikana ja jokaisen niitokerran jälkeen tarkasta ja poista traktorin, niittolaitteeseen ja kaikkien suojalaitteiden taakse muodostuneet eloperäiset jätteet.
- Ruohoa leikattaessa on aina käytettävä vahvoja jalkineita ja pitkiä housuja. Älä käytä konetta paljain jaloin tai avoimin sandaalein.
- Tarkasta huolellisesti alue, jolta ruoho leikataan ja poista kaikki esineet, joita kone voi heittää ympäri.
- VAARA! Bensiini on hyvin tulenarkaa.
 - Säilytä polttoaine tähän tarkoitukseen erityisesti suunnitelluissa astioissa.
 - Lisää polttoainetta ainoastaan ulkona; älä tupakoi polttoainetäytön aikana.
 - Lisää polttoainetta ennen kuin käynnistät moottorin. Älä koskaan poista tulppaa polttoainesäiliöstä tai lisää bensiiniä moottorin ollessa käynnissä tai kuumana.
 - Jos bensiiniä läikkyy, älä yritä käynnistää moottoria, vaan siirrä kone pois läikkymäalueelta ja vältä luomasta mitään sytytyslähdettä ennen kuin bensiinihöyryt ovat hävinneet.
 - Pane kaikki polttoainesäiliöiden ja astioiden kannet huolellisesti paikoilleen.
- Vaihda vialliset äänenvaimentimet.

(FI)

- Ennen käyttöä tarkista aina visuaalisesti, että terät, terien pultit ja leikkulaite eivät ole kuluneita tai vaurioituneita. Vaihda kuluneet tai vahingoittuneet terät ja pultit sarjoittain tasapainon säilyttämiseksi.
- Moniteräisissä koneissa on oltava varovainen, yhden terän pyörittäminen voi aiheuttaa toisten terien pyörimisen.

III. KÄYTTÖ

- Älä käytä moottoria suljetussa tilassa, johon voi keräytyä vaarallisia hiilimonoksidihöyryjä.
- Leikkaa ruoho vainpäivänvalossa tai hyvässä valaistuksessa.
- Ennen moottorin käynnistämistä, kytke irti kaikki terän kiinnityskytkimet ja vaihda vapaavaihteelle.
- Älä aja 5° jyrkemmillä rinteillä.
- Muista, ettei ole olemassa mitään "turvallista" rinteitä. Ruohoisilla rinteillä liikkuminen vaatii erityistä huolellisuutta. Koneen kaatumisen estämiseksi:
 - älä pysähdy tai lähde äkkinäisesti ylä- tai alamäessä;
 - kytke hitaasti, pidä aina kone kytkettynä, varsinkin alamäessä;
 - koneen nopeus on pidettävä alhaisena rinteillä ja ahtaissa käännoksissä;
 - varo kumpuja ja kuoppia ja muita piileviä vaaroja;
 - älä koskaan leikkaa ruohoa rinteellä, ellei ruohonleikkuri ole tarkoitettu tähän tarkoitukseen.
- Ole varovainen vetäessäsi kuormaa.
 - Käytä ainoastaan hyväksytyä aisan kiinnitystä.
 - Rajoita kuormat sellaisiksi, joita pystyt turvallisesti hallitsemaan.
 - Älä tee jyrkkiä käännoksia. Ole varovainen peruutuksessa.
 - Käytä vastapainoa/vastapainoja tai pyöräpainoja, jos ohjekirja sitä ehdottaa.
- Varo liikennettä tietä ylittettäessä tai kuljetusväylillä.
- Pysäytä terien pyöriminen ennen kuin ylität muita pintoja kuin ruohoa.
- Älä koskaan osoita materiaalin poistoa ohikulkijoita vasten äläkä salli ketään koneen lähellä sen ollessa käynnissä.
- Älä käytä ruohonleikkuria viallisten suojusten, suojien kanssa tai ilman, katso että turvasuojalaitteet ovat paikoillaan.
- Älä muuta moottorin säätöjä tai aja moottoria liian suurilla nopeuksilla. Jos moottoria ajetaan ylinopeuksilla voi henkilövamman vaara lisääntyä.
- Ennen ajajan paikan jättämistä:
 - kytke tehon otto pois päältä ja alenna lisälaitteet;
 - muuta vapaalle ja aseta pysäköintijarru;
 - sammuta moottori ja poista avain.
- Kytke irti lisälaitteiden käyttölaite, pysäytä moottori ja kytke irti sytytystulpan johdin/johtimet tai poista virta-avain
 - ennen kuin puhdistat tukoksia tai poistat esteen poistokourusta;
 - ennen kuin tarkistat, puhdistat tai huollat konetta.
 - jos osut vieraaseen esineeseen. Tarkista ruohonleikkuriin kohdistunut vahinko ja korjaa ennen kuin aloitat ja käytät sitä uudelleen;
 - jos kone alkaa täristä epänormaalisti (tarkista heti) terälaite on vahingoittunut.
- Kytke irti lisälaitteiden käyttölaite kuljetettaessa tai kun se ei ole käytössä.
- Pysäytä moottori ja kytke irti lisälaitteiden käyttölaite
 - ennen polttoainetäyttöä;
 - ennen ruohonkerääjän poistoa;
 - ennen korkeuden säätöä, jollei säätöä voida suorittaa ajajan paikalta.
- Vähennä kaasun säätöä moottorin hidastamiseksi; jos moottorissa on salkuventtiili, käännä polttoaine pois ruohonleikkauksen päätyttyä.

IV. HUOLTO JA SÄILYTYS

- Pidä kaikki mutterit, pultit ja ruuvit tiukalla varmistuksella, että välineistö on hyvässä toimintakunnossa.
- Älä koskaan säilytä konetta bensiinin ollessa säiliössä rakennuksessa, jossa höyryt voivat joutua kosketuksiin avoimen liekin tai kipinän kanssa.
- Anna moottorin jäähtyä ennen kuin säilytät sitä missään suljetussa tilassa.
- Palovaaran vähentämiseksi, pidä moottori, vaimennin, akkuosasto ja bensiinin säilytyspaikka vapaana ruohosta, lehdistä tai liiallisesta rasvasta.
- Tarkista usein, ettei ruohonkerääjä ole kulunut ja muuten huonossa kunnossa.
- Vaihda kuluneet tai vahingoittuneet osat turvallisuuden vuoksi.
- Mikäli polttoainesäiliö on tyhjennettävä, on se suoritettava ulkona.
- Moniteräisissä koneissa on oltava varovainen, yhden terän pyörittäminen voi aiheuttaa toisten terien pyörimisen.
- Jos kone pysäköidään, varastoidaan tai se jätetään ilman valvontaa, niin poista virta-avain.

VAARA: Kytke aina irti sytytystulpan johdin ja pane johdin paikkaan, jossa se ei voi saada kosketusta sytytystulppaan, jotta voidaan estää tahaton käynnistys, kuljetettaessa, säädettäessä tai korjattaessa.

A IDENTIFICAÇÃO DOS COMPONENTES

1. Parte superior do recipiente
2. Parte inferior do recipiente
3. Rampa superior
4. Rampa inferior
5. Tampa
6. Indicador de sacola cheia
7. Trava da rampa superior
8. Travas da Rampa inferior
10. Conjunto de suporte

B CONJUNTO DE SUPORTE

- a. O seu trator já tem quatro (4) parafusos de retenção instalados na parte traseira da barra de tração, simplesmente juntar o conjunto de suporte nos parafusos (1).
- b. Para remover o conjunto de suporte, puxar para fora no suporte de parada (2) o suporte para permitir que o conjunto de suporte possa ser levantado e que saia da barra de tração.

C MONTAGEM DA TAMPA (1) AO CONJUNTO DE SUPORTE (2)

NOTA: Para facilitar a montagem, deve-se ter a ajuda de outra pessoa para montar o conjunto da tampa no trator.

- a. Colocar o conjunto da tampa no chão atrás do trator conforme mostrado.
- b. Levantar e virar a tampa para alinhar o suporte com o conjunto de suporte.
- c. Deslizar o conjunto da tampa para baixo sobre o conjunto de suporte.

D CONJUNTO RECIPIENTE

- a. Colocar a metade da parte inferior (1) dentro da metade da parte superior (2).
- b. Colocar um pé dentro da metade inferior e levantar a metade da parte superior para colocar a metade inferior.
- c. Pressionar as metades juntas enquanto levanta a parte superior para travar no lugar conforme ilustrado.

IMPORTANTE: ANTES DE TRAVAR AS LINGUETAS (3), ENGANCHADO OS CANTOS EM AMBAS AS METADES É PRECISO revestir com vedante conforme ilustrado no folheto.

- d. Repetir para outros recipientes.

CONTROLO DA MONTAGEM: Apertar as laterais da metade inferior do recipiente e controlar que não há fendas entre as metades superiores e inferiores. Se houver fendas, destravar as linguetas para separar as metades do recipiente e repetir as instruções acima.

E MONTAGEM DO RECIPIENTE

- a. Instalar um recipiente na primeira metade esquerda (1). Instalar outro recipiente na lateral direita (2).

NOTA: O canto esquerdo do recipiente direito deve sempre ultrapassar o canto direito do recipiente esquerdo no suporte central (3).

- b. Fechar a tampa e travar o manípulo (4) sobre o tubo do suporte central (3).

F JUNÇÃO DA RAMPA INFERIOR

- a. Levantar e segurar o protetor de motor (1) na posição vertical.
- b. Colocar a ranhura na rampa inferior sobre a lingueta (2) na plataforma do cortador e posicionar a rampa inferior sobre a abertura da plataforma como ilustrado.
- c. Enganchar a trava (3) traseira no orifício da lingueta na parte de trás da plataforma do cortador.
- d. Enganchar a trava (4) dianteira no orifício da lingueta na parte da frente da plataforma do cortador.

CUIDADO: Não remover a proteção do motor (1) do cortador. Levantar e segurar a proteção quanto enganchar a rampa inferior e permitir à mesma de assentar na rampa enquanto estiver funcionando.

G RAMPA SUPERIOR

- a. Abaixar o cortador na posição de corte mais baixa.
- b. Montar a rampa superior (1) introduzindo um terminal curvo no orifício na parte de trás da tampa (2).
- c. Empurrar e virar a rampa superior até a mesma estar em linha com a rampa inferior (3).
- d. Alinhar os cubos (4) na rampa inferior com as ranhuras de alinhamento (4) na rampa superior e deslizar juntos.
- e. Fixar a trava de borracha (5) engançando o furo na trava sobre o pino de trava (6).



CONSELHOS PARA MELHORAR A OPERAÇÃO DE ENSACAMENTO:

Seguir as instruções de uso do cortador no manual do proprietário do trator. Veri car que o cortador esteja nivelado apropriadamente para um melhor rendimento .

Quando utilizar o recolhedor de grama num gramado onde o equipamento de ensacamento de grama e folhas não for usado, você está recolhendo os resíduos acumulados durante longo período de tempo. O volume recolhido e o tempo total da operação pode ser maior quanto tiver experiência com o uso normal do recolhedor de grama.

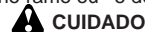
- Quando estiver ensacando acelerar na máxima velocidade.
- Seleccionar uma marcha baixa suficiente para obter um bom rendimento do corte da grama, boa qualidade de corte e bom rendimento de ensacamento.

NOTA: Poderá ser necessário sobrepor a abertura de corte para seguir suas condições.

- Se a grama estiver muito alta, será preciso cortar duas vezes. A primeira vez relativamente alta, a segunda vez na altura desejada.
- Usar o lado da pega esquerda do cortador para aparar.
- Pode ser colocada uma sacola de lixo de plástico dentro do recipiente do recolhedor de grama para facilitar a colocação dos resíduos. Para remover a sacola de lixo de plástico quando estiver cheia:
 - a. Desenganchar as lâminas, câmbio no ponto morto, engatar o freio de estacionamento e parar o motor.
 - b. Levantar o assento. Destravar e levantar a tampa.
 - c. Remover um recipiente por vez agarrando pelas alças do recipiente e puxando para trás, fora das barras de alumínio.
 - d. Com o recipiente parado no chão, fechar e travar a parte superior da sacola de lixo de plástico.
 - e. Inclinarm o recipiente de lado e deslizar a sacola cheia fora do recipiente.
 - f. Instalar uma nova sacola de lixo de plástico com os cantos da sacola dobrados para cima da borda do recipiente.
 - g. Repetir para outros recipientes.
 - h. Recolocar os recipientes verificando que o recipiente certo se sobreponha no recipiente esquerdo no centro dos suportes.
 - i. Fechar a tampa e travar as travas sobre os tubos de suporte central.
- Evitar de cortar grama molhada ou durante a manhã quando ainda há muito orvalho. A grama cortada nestas condições tende a ser pegajosa e gruda nas paredes da passagem do tubo causando obstrução.
- O ensacador é equipado com um indicador de ensacamento completo. O movimento da roda aumenta o enchimento das sacolas. A roda rodará rápido até antes das sacolas se encherem totalmente. Quando a roda pára, indica que as sacolas estão cheias e as condutas já cam obstruídas.

NOTA: Para ajudar a prevenir a obstrução das condutas, controlar/esvaziar as sacolas quando a roda está rodando rápido. A experiência irá indicar o tempo melhor para esvaziar as sacolas.

- Deve-se tomar cuidado para não danificar as partes e que a roda vire livre no início de cada uso.
- Se o recolhedor de grama falhar quando cortar a grama ou folhas, é uma indicação que houve uma obstrução no sistema ou que os recipientes do recolhedor de grama estão cheios. Normalmente isto é indicado pelo movimento de parada do indicador de ensacamento completo.
 - a. Desenganchar as lâminas, câmbio no ponto morto, engatar o freio de estacionamento e parar o motor.
 - Levantar o assento. Destravar e levantar a tampa.
 - Remover os recipientes e eliminar as obstruções.
 - Recolocar os recipientes, fechar a tampa e travar.
 - b. Destravar as condutas e controlar se há obstrução.
 - Remover todos os detritos nas condutas.
 - Remontar e travar as condutas
 - c. Controlar para ter certeza que o indicador de ensacamento cheio não esteja obstruído.
 - O orifício de passagem de ar deve estar sem detritos. Introduzir com cuidado um pequeno ramo ou o dentro da passagem para limpar.



CUIDADO

- **O cortador não deve funcionar com o recolhedor de grama parcialmente instalado.**
- **Desenganchar as lâminas e parar o motor antes de sair do assento do trator para esvaziar os recipientes, desobstruir condutas, etc.**
- **Fechar a tampa antes de dar a partida.**
- **Desligar o cortador quando atravessar ruas ou superfícies de cascalho e outras áreas onde houver objetos que possam causar perigo.**
- **Não tentar jogar para cima latas ou outros objetos potencialmente perigosos.**

RECOMENDAÇÕES GERAIS

Respeitar sempre as normas de segurança quando estiver efetuando operações de manutenção.

- Antes de cada uso controlar se há partes soltas.
- Limpar a unidade cuidadosamente depois de cada uso.

CUIDADO DA LÂMINA

Para obter melhores resultados as lâminas devem ser mantidas a adas. Troque lâminas danificadas ou curvas.

- Seguir as instruções de CUIDADO DAS LÂMINAS no manual do proprietário do trator.

⚠ CUIDADO: ANTES DE QUALQUER OPERAÇÃO DE MANUTENÇÃO, REPARAÇÃO OU REGULAÇÃO:

- Apertar totalmente o pedal do freio da embreagem e engatar o freio de estacionamento.
- Colocar a alavanca de câmbio /movimento no ponto morto (N).
- Colocar o controle de marcha na posição “DESENGATADA”
- Vire a chave da ignição em “OFF”.
- Verificar que as lâminas e todas as partes em movimento estejam totalmente paradas.
- Desconectar o fio(s) das velas de ignição das velas de ignição e colocar o fio onde não possa entrar em contato com a ignição.

⚠ CUIDADO: Os componentes do recolhedor de grama estão sujeitos a desgaste, dano e deterioração, que pode expor as partes em movimento ou causar o lançamento de objetos. Controlar com frequência os componentes e substituir com as partes recomendadas pelo fabricante, quando necessário.

ARMAZENAGEM

Quando o recolhedor de grama for armazenado durante um longo período, limpar o mesmo cuidadosamente, remover todos os detritos, graxa, folhas, etc. Armazenar num lugar limpo e seco.

⚠ CUIDADO: Não deixar grama nos recipientes de ensacamento. Esvaziar os recipientes depois de cada uso e antes de armazenar. Caso contrário poderá causar uma combustão espontânea que pode desencadear o fogo.

REGRAS DE SEGURANÇA

Práticas de Operação Segura para Trator de Cortar Grama

IMPORTANTE: Esta máquina cortadora é capaz de amputar as mãos e os pés e também pode lançar objectos. A falta de observação das seguintes instruções pode resultar em ferimentos graves ou morte.

I. TREINAMENTO

- Leia as instruções cuidadosamente. Familiarize-se com os controles e o uso correto do equipamento.
- Nunca permita crianças nem pessoas que não estejam familiarizadas com as instruções usarem o cortador de grama. Regulamentos locais podem restringir a idade do operador.
- Nunca corte grama enquanto pessoas, especialmente crianças, ou animais domésticos estejam por perto.
- Lembre-se que o operador ou usuário é responsável por acidentes ou perigos que possam ocorrer com outras pessoas ou suas propriedades.
- Não levar passageiros.
- Todos os operadores devem procurar e obter instrução profissional e prática. Tal instrução deve enfatizar:
 - a necessidade de cuidado e concentração quando trabalhando com máquinas tipo tratores;
 - controle da máquina derrapando num declive não será readquirido em se aplicando os freios.

Os motivos principais de perda de controle são:

- a) aderência insuficiente das rodas;
- b) sendo guiado rápido demais;
- c) freagem inadequada;
- d) o tipo da máquina não é apropriado para a tarefa;
- e) falta de consciência do efeito das condições do terreno, especialmente declives;
- f) distribuição de carga e engates incorretos.

II. PREPARAÇÃO

- Para reduzir o risco do fogo - antes do uso, quando se reabastece e no fim de cada corte de grama - inspecionar e remover os resíduos do trator, cortador e atrás das proteções.
- Enquanto estiver cortando grama, sempre use calçados e calças compridas substanciais. Não opere o equipamento quando estiver descalço ou usando sandálias abertas.
- Inspeção integralmente a área onde o equipamento será usado e remova todos os objetos que possam ser lançados pela máquina.
- AVISO - Gasolina é altamente inflamável.
 - Armazene combustível em recipientes especificamente desenhados para este propósito.
 - Reabasteça somente ao ar livre e não fume enquanto estiver reabastecendo.
 - Coloque combustível antes de ligar o motor. Nunca remova a tampa do tanque de combustível ou coloque gasolina enquanto o motor estiver funcionando ou estiver quente.
 - Se gasolina for derramada, não tente ligar o motor mas mova a máquina para longe da área onde houve o derramamento e evite criar qualquer fonte de ignição até que os vapores da gasolina tenham evaporado.
 - Reponha imediatamente todas as tampas dos tanques de combustível e recipientes.
- Substitua silenciadores defeituosos.
- Antes de usar, sempre inspecione visualmente para ver que as lâminas, parafusos da lâmina e montagem do cortador não estejam desgastados ou danificados. Substitua lâminas e parafusos desgastados ou danificados em jogos para preservar o equilíbrio.
- Em máquinas com múltiplas lâminas, tome cuidado ao rodar uma lâmina pois isto pode causar que outras lâminas rodem.

(PT)

III. OPERAÇÃO

- Não opere o motor num espaço com nado onde os gases perigosos de monóxido de carbono podem se acumular.
- Corte somente debaixo de luz do dia ou em boa iluminação artificial.
- Antes de tentar ligar o motor, desengate todas as embreagens de conexão das lâminas e coloque o câmbio em ponto morto.
- Não usar em inclinações maiores do que 5°.
- Lembre-se de que não existe tal coisa como um declive “seguro.” Movimento sobre inclinações gramadas requerem um cuidado especial. Para proteger contra capotamento:
 - não pare nem arranque de repente quando estiver subindo ou descendo uma inclinação;
 - acione a embreagem lentamente, sempre mantenha a máquina engrenada, especialmente quando estiver descendo;
 - as velocidades da máquina devem ser mantidas baixas em declives e durante curvas fechadas;
 - que alerta para morrotes e buracos e outros perigos ocultos;
 - nunca corte através da face do declive, a não ser que a máquina tenha sido desenhada para isto.
- Use cuidado quando estiver puxando cargas ou usando equipamento pesado.
 - Use somente pontos de fixação aprovados para a barra do engate.
 - Limite as cargas às que você pode controlar com segurança.
 - Não faça curvas fechadas. Use cuidado ao dar marcha-a-ré.
 - Use contrapeso(s) ou pesos de roda quando sugerido no livreto de instrução.
- Preste atenção ao trânsito quando atravessar ruas ou estiver perto de ruas.
- Pare a rotação das lâminas antes de atravessar superfícies que não sejam grama.
- Quando estiver usando quaisquer acessórios, nunca direcione a descarga do material em direção aos espectadores nem permita que ninguém se aproxime da máquina quando esta estiver em operação.
- Nunca opere o cortador de grama com guardas ou defesas defeituosas ou sem os dispositivos de proteção em seus lugares.
- Não mude a colocação do governador do motor ou acelere demais o motor. Operando o motor em velocidade excessiva pode aumentar o perigo de ferimentos pessoais.
- Antes de deixar a posição de operador:
 - desengate o levantador energizado e abaixe os acessórios;
 - coloque em ponto morto e aplique o freio de estacionamento;
 - pare o motor e remova a chave.
- Desengate a propulsão aos acessórios, pare o motor, e desligue os interruptores das velas de ignição ou remova a chave de ignição
 - antes de limpar entupimentos ou desentupindo calhas;
 - antes de verificar, limpar ou trabalhar no cortador de grama;
 - depois de golpear um objeto estranho. Inspeção o cortador de grama para ver se houveram danos e faça os reparos antes de religar e operar o equipamento;
 - se a máquina começar a vibrar anormalmente (verificar imediatamente).
- Desengate a propulsão aos acessórios quando transportando ou quando não estiver em uso.
- Pare o motor e desengate a propulsão ao acessório
 - antes de reabastecer;
 - antes de remover o coletador de grama;
 - antes de fazer ajustes na altura a não ser que o ajuste possa ser feito da posição do operador.
- Reduzir a colocação do acelerador durante o desligamento do motor, e se este vier equipado com uma válvula de fechamento, feche a passagem de combustível ao terminar o serviço de cortar.

IV. MANUTENÇÃO E ARMAZENAMENTO

- Manter todas as porcas, parafusos e cavilhas apertadas para ter certeza de que o equipamento esteja em condições seguras de operação.
- Nunca armazene o equipamento com gasolina no tanque dentro de um edifício onde os gases possam alcançar uma chama aberta ou uma faísca.
- Deixe o motor esfriar antes de guardar em qualquer área cercada.
- Para reduzir o risco de perigo de fogo, mantenha o motor, o silenciador, o compartimento da bateria e a área de armazenagem de gasolina livre de grama, folhas, ou graxa excessiva.
- Verifique o coletador de grama frequentemente para determinar desgaste ou deterioração.
- Substitua peças desgastadas ou danificadas para segurança.
- Se o tanque de combustível tiver que ser drenado, isto deverá ser feito ao ar livre.
- Em máquinas de múltiplas lâminas, tome cuidado ao rodar uma lâmina pois isto pode causar que outras lâminas rodem.
- Quando a máquina for estacionada, guardada ou deixada sem atendimento, abaixe os modos cortadores a não ser que uma trava mecânica positiva seja usada.

⚠ CUIDADO: Sempre desligue o cabo da vela de ignição e coloque o cabo num local onde não possa contatar a vela de ignição para prevenir que a máquina se ligue acidentalmente enquanto estiver regulando, transportando, ajustando ou fazendo reparos.

Α ΑΝΑΓΝΩΡΙΣΗ ΕΞΑΡΤΗΜΑΤΩΝ

1. Πάνω μέρος δοχείου
2. Κάτω μέρος δοχείου
3. Άνω χοάνη
4. Κάτω χοάνη
5. Κάλυμμα
6. Δείκτης γεμάτου σάκου
7. Μάνταλο άνω χοάνης
8. Μάνταλα κάτω χοάνης
10. Διάταξη στήριξης

Β ΔΙΑΤΑΞΗ ΣΤΗΡΙΞΗΣ

- α. Το τρακτέρ σας έχει ήδη τέσσερα (4) μπουλόνια με χιτώνιο εγκατεστημένα στην πίσω δοκό σύνδεσης. Απλά κρεμάστε τη διάταξη στήριξης στα μπουλόνια (1).
- β. Για να αφαιρέσετε τη διάταξη στήριξης, τραβήξτε προς τα έξω το βραχίονα στήριξης (2) αρκετά ώστε να επιτρέπει στη διάταξη στήριξης να ανυψωθεί προς τα πάνω και μακριά από τη δοκό σύνδεσης.

Γ ΔΙΑΤΑΞΗ ΚΑΛΥΜΜΑΤΟΣ (1) ΣΤΗ ΔΙΑΤΑΞΗ ΣΤΗΡΙΞΗΣ (2)

ΣΗΜΕΙΩΣΗ: Θα διευκολυνθείτε στη συναρμολόγηση αν έχετε βοήθεια από κάποιο άλλο άτομο κατά τη στερέωση της διάταξης καλύμματος στο τρακτέρ.

- α. Τοποθετήστε τη διάταξη καλύμματος στο έδαφος πίσω από το τρακτέρ όπως απεικονίζεται.
- β. Ανυψώστε και περιστρέψτε το κάλυμμα για να ευθυγραμμίσετε το βραχίονα καλύμματος με τη διάταξη στήριξης.
- γ. Ολισθήστε τη διάταξη καλύμματος προς τα κάτω στη διάταξη στήριξης.

Δ ΔΙΑΤΑΞΗ ΔΟΧΕΙΟΥ

- α. Τοποθετήστε το κάτω μισό (1) μέσα στο πάνω μισό (2).
- β. Τοποθετήστε ένα πόδι μέσα στο κάτω μισό και σηκώστε το πάνω μισό για να συναντήσει το κάτω μισό.
- γ. Πιέστε τα δύο μισά τμήματα σφικτά μαζί ενώ ανυψώνετε το πάνω μισό για να ασφαλίσει στη θέση του, όπως απεικονίζεται.

ΣΗΜΑΝΤΙΚΟ: ΠΡΙΝ ΚΛΕΙΔΩΣΕΤΕ ΤΙΣ ΓΛΩΤΤΙΔΕΣ (3), ΤΑ ΑΓΚΙΣΤΡΩΜΕΝΑ ΑΚΡΑ ΚΑΙ ΣΤΑ ΔΥΟ ΜΙΣΑ ΤΜΗΜΑΤΑ ΠΡΕΠΕΙ ΝΑ ΕΠΙΚΑΛΥΠΤΟΝΤΑΙ ΓΙΑ ΝΑ ΣΧΗΜΑΤΙΣΟΥΝ ΣΦΡΑΓΙΣ ΟΠΩΣ ΑΠΕΙΚΟΝΙΖΕΤΑΙ ΣΤΗΝ ΕΝΘΕΤΗ ΕΙΚΟΝΑ.

δ. Επαναλάβετε για τα υπόλοιπα δοχεία.

ΕΛΕΓΧΟΣ ΣΥΝΑΡΜΟΛΟΓΗΣΗΣ: Πιέστε τα πλαϊνά του κάτω μισού τμήματος του δοχείου και ελέγξτε εάν υπάρχει κενό μεταξύ των άνω και κάτω μισών τμημάτων. Εάν εμφανίζεται κενό, ξεκλειδώστε τις γλωττίδες για να ξεχωρίσετε τα μισά τμήματα του δοχείου και επαναλάβετε τις παραπάνω οδηγίες.

Ε ΣΤΕΡΕΩΣΗ ΔΟΧΕΙΟΥ

- α. Τοποθετήστε πρώτα ένα δοχείο στην αριστερή πλευρά (1). Τοποθετήστε το άλλο δοχείο στη δεξιά πλευρά (2).

ΣΗΜΕΙΩΣΗ: Το αριστερό άκρο του δεξιού δοχείου θα πρέπει πάντα να επικαλύπτει το δεξί άκρο του αριστερού δοχείου στην κεντρική στήριξη (3).

- β. Κλείστε το κάλυμμα και κλειδώστε τη λαβή ασφάλισης (4) πάνω από το κεντρικό σωλήνα στήριξης (3).

Φ ΠΡΟΣΔΕΞΗ ΚΑΤΩ ΧΟΑΝΗΣ

- α. Σηκώστε και κρατήστε τον προστατευτικό ανακλαστήρα (1) σε όρθια θέση.

- β. Τοποθετήστε τη σχισμή στην κάτω χοάνη πάνω από τη γλωττίδα (2) στη βάση του μηχανήματος κουρέματος γκαζόν και τοποθετήστε την κάτω χοάνη πάνω από το άνοιγμα της βάσης, όπως απεικονίζεται.

- γ. Γαντζώστε το πίσω μάνταλο (3) στην οπή φλάντζας στο πίσω μέρος της βάσης του μηχανήματος κουρέματος γκαζόν.

- δ. Γαντζώστε το μπροστινό μάνταλο (4) στην οπή γλωττίδας στο μπροστινό μέρος της βάσης του μηχανήματος κουρέματος γκαζόν.

ΠΡΟΣΟΧΗ: Μην αφαιρέσετε τον προστατευτικό ανακλαστήρα (1) από το μηχανήμα κουρέματος γκαζόν. Σηκώστε και κρατήστε το προστατευτικό όταν προσδένετε την κάτω χοάνη και αφήστε την να καθίσει επάνω στη χοάνη κατά τη λειτουργία.

Γ ΑΝΩ ΧΟΑΝΗ

- α. Χαμηλώστε τη μηχανή κουρέματος γκαζόν στη χαμηλότερη θέση κοπής.
- β. Συναρμολογήστε την άνω χοάνη (1) με την εισαγωγή του καμπύλου άκρου στην οπή στο πίσω μέρος του καλύμματος (2).

- γ. Ωθήστε προς τα μέσα και περιστρέψτε την άνω χοάνη έως ότου ευθυγραμμιστεί με την κάτω χοάνη (3).

- δ. Ευθυγραμμίστε τις προεξοχές (4) στην κάτω χοάνη με τις σχισμές ευθυγράμμισης (4) στην άνω χοάνη και ολισθήστε μαζί.

- ε. Για να ασφαλίσετε το λαστιχένιο μάνταλο (5), γαντζώστε την οπή στο μάνταλο πάνω από τον πειρο μαντάλου (6).

GR ΣΥΜΒΟΥΛΕΣ ΓΙΑ ΒΕΛΤΙΩΜΕΝΗ ΛΕΙΤΟΥΡΓΙΑ ΣΑΚΟΥ:

Ακολουθήστε τις οδηγίες λειτουργίας του μηχανήματος κουρέματος γκαζόν στο εγχειρίδιο χρήστη του τρακτέρ σας.

Βεβαιωθείτε ότι το μηχανήμα κουρέματος γκαζόν είναι σωστά ρυθμισμένο ισόπεδα για τη βέλτιστη απόδοσή του.

Όταν θέτετε σε λειτουργία το συλλέκτη χορταριών σε γκαζόν όπου δεν έχει χρησιμοποιηθεί εξοπλισμός με σάκο συλλογής γρασιδιού και φύλλων, θα συλλέξετε μικρά ζύλα και σκουπίδια που έχουν συσσωρευτεί με την πάροδο του χρόνου. Η ποσότητα που συλλέγεται και ο συνολικός χρόνος λειτουργίας μπορεί να είναι μεγαλύτεροι από ό,τι θα συναντήσετε κατά την κανονική χρήση του συλλέκτη χορταριών σας.

- Πάντα να θέτετε το μοχλό πεταλούδας σε λειτουργία σε πλήρη ταχύτητα όταν χρησιμοποιείτε τον σάκο.

- Επιλέξτε μια σχέση ταχυτήτων που είναι αρκετά μικρή για να δίνει καλή απόδοση κοπής γκαζόν, καλή ποιότητα κοπής και καλή απόδοση σάκου.

ΣΗΜΕΙΩΣΗ: Ίσως είναι απαραίτητο να επικαλύψετε το πλάτος της κοπής για να προσαρμοστείτε στις συνθήκες.

- Αν το γρασίδι είναι υπερβολικά ψηλό, θα πρέπει να το κουρέψετε δύο φορές. Την πρώτη φορά σε σχετικά υψηλό ύψος, ενώ τη δεύτερη φορά στο επιθυμητό ύψος.

- Χρησιμοποιήστε την αριστερή πλευρά του μηχανήματος κουρέματος γκαζόν για ψαλίδισμα.

- Για ευκολία κατά την απόρριψη των σκουπιδιών, μπορείτε να εισάγετε πλαστικές σακούλες σκουπιδιών μέσα στα δοχεία του συλλέκτη χορταριών. Για να αφαιρέσετε τις πλαστικές σακούλες σκουπιδιών όταν είναι γεμάτες:

- α. Αποσυνδέστε τις λεπίδες, βάλτε νεκρά, ενεργοποιήστε το φρένο στάθμευσης και σταματήστε τη λειτουργία του κινητήρα.

- β. Σηκώστε το κάθισμα. Απασφαλίστε και σηκώστε το κάλυμμα.

- γ. Αφαιρέστε κάθε δοχείο, ένα-ένα, πιάνοντάς το από τις λαβές του και τραβώντας προς τα πίσω, εκτός των ραγών σωλήνα.

- δ. Όταν το δοχείο ακουμπά επάνω στο έδαφος, κλείστε και ασφαλίστε το πάνω μέρος της πλαστικής σακούλας.

- ε. Γείρετε το δοχείο στο πλάι και ολισθήστε τη γεμάτη σακούλα από το δοχείο.

- στ. Τοποθετήστε μια καινούργια πλαστική σακούλα με τα άκρα της σακούλας να καλύπτουν το άνω χείλος του δοχείου.

- ζ. Επαναλάβετε για τα υπόλοιπα δοχεία.

- η. Τοποθετήστε ξανά τα δοχεία βεβαιώνοντας ότι το δεξί δοχείο επικαλύπτει το αριστερό δοχείο στις κεντρικές στήριξεις.

- θ. Κλείστε το κάλυμμα και ασφαλίστε τα μάνταλα πάνω από τους κεντρικούς σωλήνες στήριξης.

- Αποφύγετε την κοπή βρεγμένου γρασιδιού ή την κοπή το πρωί όταν η δρόσος είναι ακόμη βαριά. Τα υπολείμματα γρασιδιού που συλλέγονται κάτω από αυτές τις συνθήκες τείνουν να είναι κολλώδη και προσκολλώνται στα τοιχώματα της διαδρομής ροής προκαλώντας φράξιμο.

- Ο σάκος σας είναι εξοπλισμένος με δείκτη γεμάτου σάκου. Η κίνηση του τροχού αυξάνεται καθώς γεμίζει ο σάκος. Ο τροχός θα περιστρέφεται πιο γρήγορα ακριβώς πριν γεμίσει πλήρως ο σάκος. Όταν ο τροχός σταματήσει, δείχνει ότι ο σάκος είναι γεμάτος και οι χοάνες έχουν φράξει.

ΣΗΜΕΙΩΣΗ: Για να μη φράσσουν οι χοάνες, ελέγξτε/αδειάστε τους σάκους όταν ο τροχός περιστρέφεται γρήγορα. Θα μάθετε πότε να αδειάζετε τους σάκους μόλις αποκτήσετε εμπειρία.

- Θα πρέπει να προσέχετε ώστε να μην προκαλέσετε βλάβη στα εξαρτήματα και να μην περιστρέφεται ελεύθερα ο τροχός στην αρχή κάθε χρήσης.

- Το γεγονός ότι ο συλλέκτης χορταριών δεν μαζεύει κομμένο γρασίδι ή φύλλα αποτελεί ένδειξη ότι προέκυψε φράξιμο στο σύστημα ή τα δοχεία του συλλέκτη χορταριών είναι γεμάτα. Συνήθως αυτό υποδεικνύεται από τη διακοπή της κίνησης του δείκτη γεμάτου σάκου.

- α. Αποσυνδέστε τις λεπίδες, βάλτε νεκρά, ενεργοποιήστε το φρένο στάθμευσης και σταματήστε τη λειτουργία του κινητήρα.

- Σηκώστε το κάθισμα. Απασφαλίστε και σηκώστε το κάλυμμα.
- Ολισθήστε τα δοχεία έξω από το μηχανήμα και απορρίψτε τα ψαλιδίσματα.

- Τοποθετήστε ξανά τα δοχεία, κλείστε το κάλυμμα και ασφαλίστε.

- β. Απασφαλίστε τις χοάνες και ελέγξτε για φράξιμο.

- Απομακρύνετε όλα τα απορρίμματα από τις χοάνες.
- Συναρμολογήστε ξανά και ασφαλίστε τις χοάνες.

- γ. Ελέγξτε για να βεβαιωθείτε ότι ο δείκτης γεμάτου σάκου δεν έχει φράξει.

- Η οπή διόδου αέρα πρέπει να μην είναι φραγμένη με απορρίμματα. Τοποθετήστε αργά ένα μικρό κλαρί ή σύρμα στη διόδο για να την καθαρίσετε.

ΠΡΟΣΟΧΗ

- **Μη θέτετε σε λειτουργία το μηχανήμα κουρέματος γκαζόν με το συλλέκτη χορταριών μερικώς τοποθετημένο.**

- **Αποσυνδέστε τις λεπίδες και σταματήστε τον κινητήρα πριν αφήσετε το κάθισμα του τρακτέρ για να αδειάσει τα δοχεία, να αποφράξετε τις χοάνες, κτλ.**

- **Κλείστε το κάλυμμα πριν ξεκινήσετε.**

- **Αποσυνδέστε τη μηχανή κουρέματος γκαζόν όταν διασχίζετε δρόμους ή επιφάνειες με χαλίκια και άλλες περιοχές όπου η εκτόξευση αντικειμένων μπορεί να αποτελεί κίνδυνο.**

- **Μην προσπαθείτε να συλλέξετε κουτιά ή άλλα δυνητικά επικίνδυνα αντικείμενα με δυνατότητα εκτόξευσης.**

ΓΕΝΙΚΕΣ ΠΡΟΤΑΣΕΙΣ

Να τηρείτε πάντα τους κανόνες ασφάλειας όταν πραγματοποιείτε οποιαδήποτε εργασία συντήρησης.

- Πριν από κάθε χρήση, ελέγξτε για χαλαρούς σφικτήρες.

- Καθαρίστε καλά το μηχανήμα μετά από κάθε χρήση.

ΦΡΟΝΤΙΔΑ ΤΩΝ ΛΕΠΙΔΩΝ

Για βέλτιστα αποτελέσματα, οι λεπίδες του μηχανήματος κουρέματος γκαζόν πρέπει να είναι αιχμηρές. Αλλάξτε τις λυγισμένες ή φθαρμένες λεπίδες.

- Βλ. οδηγίες στη ΦΡΟΝΤΙΔΑ ΛΕΠΙΔΩΝ στο εγχειρίδιο χρήστη του τρακτέρ σας.

ΠΡΟΣΟΧΗ: ΠΡΙΝ ΠΡΑΓΜΑΤΟΠΟΙΗΣΕΤΕ ΟΠΟΙΑΔΗΠΟΤΕ ΕΡΓΑΣΙΑ ΣΥΝΤΗΡΗΣΗΣ, ΕΠΙΣΚΕΥΗΣ Ή ΡΥΘΜΙΣΗΣ:

- Πατήστε πλήρως το πεντάλο του συμπλέκτη/φρένου και ενεργοποιήστε το φρένο στάθμευσης.
- Θέστε το μοχλό ελέγχου κίνησης/σχέσεως ταχυτήτων στη θέση της νεκράς (N).
- Τοποθετήστε το χειριστήριο συμπλέκτη στην «ΑΠΕΝΕΡΓΟΠΟΙΗΜΕΝΗ» θέση.
- Γυρίστε το κλειδί της μίζας στην «ΑΝΕΝΕΡΓΗ» θέση.
- Να βεβαιώνετε ότι είναι εντελώς ακινητοποιημένες οι λεπίδες και όλα τα κινούμενα μέρη.
- Αποσυνδέστε την(ις) ντίζα(ες) του μπουζί από το(α) μπουζί και τοποθετήστε την ντίζα σε μέρος όπου δεν μπορεί να έρθει σε επαφή με το μπουζί.

ΠΡΟΣΟΧΗ: Τα εξαρτήματα του συλλέκτη χορταριών υπόκεινται σε φθορά, βλάβη και ζημιά, γεγονός που μπορεί να εκθέσει τα κινούμενα μέρη ή να εκπνάζει αντικείμενα. Ελέγχετε συχνά τα εξαρτήματα και αντικαταστήστε με εξαρτήματα που συνιστά ο κατασκευαστής, όταν απαιτείται.

ΦΥΛΑΞΗ

Όταν πρόκειται να αποθηκεύσετε το συλλέκτη χορταριών για μεγάλη χρονική περίοδο, καθαρίστε το καλά, απομακρύνοντας όλα τα ίχνη ακαθαρσιών, γρασιδιού, φύλλων, κτλ. Αποθηκεύστε σε καθαρό, στεγνό μέρος.

ΠΡΟΣΟΧΗ: Μην αφήνετε γρασίδι στα δοχεία σάκου. Αδειάστε τα δοχεία μετά από κάθε χρήση και πριν από την αποθήκευση. Αν δεν το κάνετε αυτό, μπορεί να έχει ως αποτέλεσμα αυθόρμητη καύση που μπορεί να εξελιχτεί σε πυρκαγιά.

ΚΑΝΟΝΕΣ ΑΣΦΑΛΕΙΑΣ

Κανόνες ασφάλειας Ασφαλείας πρακτικές λειτουργίας για το όχημα κουρέματος γκαζόν

ΣΗΜΑΝΤΙΚΟ: ΤΟ ΠΑΡΟΝ ΜΗΧΑΝΗΜΑ ΚΟΠΗΣ ΜΠΟΡΕΙ ΝΑ ΑΚΡΩΤΗΡΙΑΣΕΙ ΧΕΡΙΑ ΚΑΙ ΠΟΔΙΑ ΚΑΙ ΝΑ ΕΚΤΟΞΕΥΣΕΙ ΑΝΤΙΚΕΙΜΕΝΑ. ΑΝ ΔΕΝ ΤΗΡΗΘΟΥΝ ΟΙΑΚΟΛΟΥΘΕΣ ΟΔΗΓΙΕΣ ΑΣΦΑΛΕΙΑΣ, ΜΠΟΡΕΙ ΝΑ ΠΡΟΚΛΗΘΕΙ ΣΟΒΑΡΟΣ ΤΡΑΥΜΑΤΙΣΜΟΣ Ή ΘΑΝΑΤΟΣ.

I. ΚΑΤΑΡΤΙΣΗ

- Διαβάστε προσεκτικά τις οδηγίες. Εξοικειωθείτε με τα χειριστήρια και τη σωστή χρήση του εξοπλισμού.
- Μην αφήνετε ποτέ παιδιά ή άτομα που δεν γνωρίζουν τις παρούσες οδηγίες να χειρίζονται το όχημα κουρέματος γκαζόν. Η ηλικία του χειριστή ενδεχομένως να περιορίζεται από τοπικούς κανονισμούς.
- Μην κουρεύετε το γκαζόν όταν βρίσκονται κοντά άτομα, και ιδιαίτερα παιδιά, ή κατοικίδια ζώα.
- Να λαμβάνετε υπόψη σας ότι ο χειριστής ή ο χρήστης είναι υπεύθυνος για τυχόν ατυχήματα που συμβαίνουν ή κινδύνους που υπάρχουν για άλλα άτομα ή για την ιδιοκτησία τους.
- Μη μεταφέρετε επιβάτες.
- Όλοι οι οδηγοί πρέπει να ζητήσουν και να αποκτήσουν επαγγελματική και πρακτική κατάρτιση. Τέτοια κατάρτιση πρέπει να τονίζει:
 - την ανάγκη για προσοχή και συγκέντρωση όταν εργάζεστε με οδηγούμενες μηχανές.
 - ότι δεν μπορείτε να αποκτήσετε με τη βοήθεια του φρένου τον έλεγχο μιας οδηγούμενης μηχανής όταν γλιστράει σε έδαφος με κλίση.

Οι κύριες αιτίες για την απώλεια του ελέγχου είναι:

- α) ανεπαρκές κράτημα τιμονιού.
- β) οδήγηση οχήματος με μεγάλη ταχύτητα.
- γ) ανεπαρκές φρενάρισμα.
- δ) ακατάλληλος τύπος μηχανήματος για την εργασία.
- ε) έλλειψη επίγνωσης της επίδρασης που έχουν οι συνθήκες εδάφους, ιδιαίτερα το έδαφος με κλίση.
- στ) λανθασμένη σύνδεση και διανομή φορτίου.

II. ΠΡΟΕΤΟΙΜΑΣΙΑ

- Για να περιορίσετε το κίνδυνο φωτιάς – πριν την χρήση, όταν ξαναγεμίζετε με καύσιμο και στο τέλος κάθε χρήση / επιθεωρήσετε και αφαιρέσετε κάθε ακαθαρσία από το τρακτέρ, από την μηχανή κουρέματος και από όλα τα προστατευτικά του μέρη.
- Όταν κουρεύετε το γκαζόν, να φοράτε πάντοτε σταθερά υποδήματα και μακρύ παντελόνι. Μη χειρίζεστε το μηχανήμα ξυπόλυτοι ή φορώντας ανοιχτά σανδάλια.
- Ελέγξτε προσεκτικά την περιοχή όπου θα χρησιμοποιήσετε τον εξοπλισμό και απομακρύνετε κάθε αντικείμενο το οποίο μπορεί να εκτοξευτεί από το μηχανήμα.
- ΠΡΟΕΙΔΟΠΟΙΗΣΗ – Η βενζίνη είναι πολύ εύφλεκτη.
 - Να αποθηκεύετε τη βενζίνη σε δοχεία ειδικά σχεδιασμένα για το σκοπό αυτό.
 - Να εκτελείτε τον ανεφοδιασμό μόνο σε εξωτερικό χώρο και μην καπνίζετε ενώ κάνετε ανεφοδιασμό.
 - Να προσθέτετε καύσιμο πριν από την εκκίνηση του κινητήρα. Μη βγάλετε ποτέ την τάπα από το ρεζερβουάρ και μην προσθέτετε ποτέ βενζίνη όταν ο κινητήρας βρίσκεται σε λειτουργία ή όταν είναι ζεστός.
 - Σε περίπτωση που χυθεί βενζίνη, μην προσπαθήσετε να θέσετε τον κινητήρα σε λειτουργία, αλλά απομακρύνετε το μηχανήμα από την περιοχή όπου έχει χυθεί καύσιμο και αποφύγετε τη δημιουργία πηγής ανάφλεξης έως ότου σκορπιστούν οι αναθυμιάσεις της βενζίνης.
 - Τοποθετήστε ξανά όλες τις τάπες του ρεζερβουάρ και των δοχείων με ασφάλεια.
- Αλλάξτε τους ελαττωματικούς σιλανσιέ.



- Πριν από τη χρήση, πάντοτε να ελέγχετε οπτικά ότι οι λεπίδες, τα μπουλόνια των λεπίδων και η κοπτική διάταξη δεν έχουν υποστεί φθορές ή ζημιές. Αλλάξτε τις λεπίδες και τα μπουλόνια που έχουν υποστεί φθορές ή ζημιές κατά ομάδες για να διατηρήσετε την ισορροπία.
- Να προσέχετε στα μηχανήματα με πολλαπλές λεπίδες επειδή η περιστροφή μίας λεπίδας μπορεί να προκαλέσει την περιστροφή άλλων λεπίδων.

III. ΛΕΙΤΟΥΡΓΙΑ

- Μη θέτετε τον κινητήρα σε λειτουργία σε κλειστό χώρο όπου μπορεί να συσσωρευτούν επικίνδυνες αναθυμιάσεις μονοξειδίου του άνθρακα.
- Να κουρεύετε γκαζόν μόνο κατά τη διάρκεια της ημέρας ή με καλό τεχνητό φωτισμό.
- Πριν προσπαθήσετε να θέσετε τον κινητήρα σε λειτουργία, να αποσυνδέετε όλους τους συμπλέκτες σύνδεσης λεπίδων και να βγάλετε νεκρά.
- Μη χρησιμοποιείτε σε έδαφος με κλίση μεγαλύτερη από 5°.
- Να θυμάστε ότι δεν υπάρχει «ασφαλής» κλίση. Οι διαδρομές σε κλίσεις με χορτάρι απαιτούν ιδιαίτερη προσοχή. Για να μην γίνει ανατροπή του οχήματος:
 - μη ακινητοποιήστε και μην ξεκινάτε απότομα στις ανηφόρες ή κατηφόρες.
 - να ενεργοποιείτε το συμπλέκτη αργά, να οδηγείτε πάντοτε στο μηχανήμα αφού έχετε βάλει κάποια ταχύτητα, ιδιαίτερα στις κατηφόρες.
 - τη ταχύτητα του μηχανήματος πρέπει να είναι μικρή σε κλίσεις και σε κλειστές στροφές.
 - να βρίσκεστε σε ετοιμότητα για τυχόν λοφίσκους, λακκούβες και άλλους κρυφούς κινδύνους.
 - μην κουρεύετε ποτέ το γκαζόν κατά πλάτος της κλίσης, εκτός αν το όχημα κουρέματος γκαζόν είναι σχεδιασμένο για το σκοπό αυτό.
- Να είστε προσεκτικοί κατά τη ρυμούλκηση φορτίων ή τη χρήση βαρύτερου εξοπλισμού.
 - Να χρησιμοποιείτε μόνο εγκεκριμένα σημεία στη δοκό σύνδεσης φορτίου στο τρακτέρ.
 - Να περιορίζετε σε φορτία που μπορείτε να ελέγχετε με ασφάλεια.
 - Μη στρίβετε απότομα. Να είστε προσεκτικοί όταν κάνετε όπισθεν.
 - Να χρησιμοποιείτε αντίβαρα ή βάρη στους τροχούς όταν προτείνεται κάτι τέτοιο στο εγχειρίδιο οδηγιών.
- Να είστε προσεκτικοί όταν διασχίζετε ή βρίσκεστε κοντά σε σιδηροδρομικές γραμμές.
- Να διακόπτετε την περιστροφή των λεπίδων πριν διασχίζετε περιοχές διαφορετικές από περιοχές με γκαζόν.
- Όταν χρησιμοποιείτε κάποιο εξάρτημα, μην εκβάλλετε ποτέ υλικά απευθείας προς τους παρευρισκόμενους και μην επιτρέπτε σε κανέναν να πλησιάσει το μηχανήμα όταν αυτό βρίσκεται σε λειτουργία.
- Μη θέτετε ποτέ σε λειτουργία το μηχανήμα κουρέματος γκαζόν με ελαττωματικά προστατευτικά, καλύμματα και χωρίς να βρίσκονται οι προστατευτικές συσκευές ασφαλείας στη θέση τους.
- Μην αλλάζετε τις ρυθμίσεις του ρυθμιστή στροφών κινητήρα και μην υπερβάνετε το όριο στροφών του κινητήρα. Αν θέτετε τον κινητήρα σε λειτουργία σε υπερβολικές στροφές μπορεί να αυξηθεί ο κίνδυνος πρόκλησης τραυματισμού.
 - Πριν απομακρυνθείτε από τη θέση του χειριστή:
 - να αποσυνδέετε το διακόπτη εκκίνησης και να χαμηλώνετε τα εξαρτήματα.
 - να βγάλετε νεκρά και να ενεργοποιείτε το φρένο στάθμευσης.
 - να διακόπτετε τη λειτουργία του κινητήρα και να βγάλετε το κλειδί.
 - Αποσυνδέστε την κίνηση των εξαρτημάτων, διακόψτε τη λειτουργία του κινητήρα και αποσυνδέστε τις ντίζες του μπουζί ή βγάλτε το κλειδί της μίζας:
 - πριν καθαρίζετε φραξίματα και πριν αποφράσετε τη χροάνη.
 - πριν ελέγχετε, καθαρίζετε ή εκτελείτε εργασίες στο μηχανήμα κουρέματος γκαζόν.
 - σε περίπτωση που συγκρουστείτε σε ξένο αντικείμενο. Ελέγξτε το όχημα κουρέματος γκαζόν για ζημιές και εκτελέστε τις εργασίες επισκευής πριν θέσετε το μηχανήμα κουρέματος γκαζόν ξανά σε λειτουργία:
 - αν το μηχανήμα κουρέματος γκαζόν αρχίζει να δονείται αντικανονικά (ελέγξτε αμέσως).
 - Αποσυνδέστε την κίνηση των εξαρτημάτων κατά τη μεταφορά του οχήματος ή όταν δεν χρησιμοποιείται.
- Διακόψτε τη λειτουργία του κινητήρα και αποσυνδέστε την κίνηση των εξαρτημάτων:
 - πριν από τον ανεφοδιασμό.
 - πριν βγάλετε το συλλέκτη χορταριών.
 - πριν κάνετε ρυθμίσεις ύψους, εκτός αν η ρύθμιση μπορεί να γίνει από τη θέση του χειριστή.
- Μειώστε τη ρύθμιση του μοχλού πεταλούδας όταν σβήνετε τον κινητήρα και, σε περίπτωση που ο κινητήρας διαθέτει βαλβίδα διακοπής, αποκόψτε το καύσιμο όταν ολοκληρώσετε το κούρεμα του γκαζόν.

IV. ΣΥΝΤΗΡΗΣΗ ΚΑΙ ΑΠΟΘΗΚΕΥΣΗ

- Διατηρείτε σφικτά όλα τα παξιμάδια, τα μπουλόνια και τις βίδες για να εξασφαλίσετε ότι ο εξοπλισμός βρίσκεται σε ασφαλή κατάσταση λειτουργίας.
- Μην αποθηκεύετε ποτέ τον εξοπλισμό με βενζίνη στο ρεζερβουάρ στο εσωτερικό κτίριο, όπου οι αναθυμιάσεις μπορεί να φτάσουν σε γιγνητή φλόγα ή σπινθήρα.
- Αφήστε τον κινητήρα να κρυώσει πριν τον αποθηκεύσετε σε οποιοδήποτε κλειστό χώρο.
- Για να μειώσετε το κίνδυνο πυρκαγιάς, διατηρείτε τον κινητήρα, το σιλανσιέ, το χώρο μπαταρίας και το χώρο αποθήκευσης βενζίνης χωρίς φυτά ή βλάστηση και υπερβολικό γράσο.
- Ελέγχετε τακτικά το συλλέκτη χορταριών για φθορά.
- Για ασφάλεια, αλλάξτε τα μέρη που έχουν υποστεί φθορές ή ζημιές.
- Αν πρέπει να αποστραγγίσετε το ρεζερβουάρ, η διαδικασία αυτή πρέπει να γίνεται σε εξωτερικό χώρο.
- Να προσέχετε στα μηχανήματα με πολλαπλές λεπίδες επειδή η περιστροφή μίας λεπίδας μπορεί να προκαλέσει την περιστροφή άλλων λεπίδων.
- Όταν σταθμεύετε, αποθηκεύετε ή αφήνετε ανεπιτήρητο το μηχανήμα, χαμηλώστε τα μέσα κοπής εκτός αν χρησιμοποιείτε μηχανικό κλειδίμα.

ΠΡΟΕΙΔΟΠΟΙΗΣΗ: Πάντα να αποσυνδέετε την ντίζα του μπουζί και να τοποθετείτε την ντίζα σε σημείο όπου δεν μπορεί να έρθει σε επαφή με το μπουζί για να αποφύγετε τυχαία εκκίνηση του κινητήρα όταν κάνετε προσαρμογές, μεταφορά, ρυθμίσεις ή όταν εκτελείτε εργασίες επισκευής.

A POPIS SOUČÁSTÍ

1. Vršek nádoby
2. Dno nádoby
3. Horní svod
4. Spodní svod
5. Kryt
6. Ukazatel zaplněného pytle
7. Pojistka horního svodu
8. Pojistky spodního svodu
10. Podpůrná sestava

B PODPŮRNÁ SESTAVA

- a. Váš traktor již má čtyři (4) šrouby nainstalované na zadní vlečné tyči, podpůrnou sestavu stačí zavěsit na šrouby (1).
- b. Pro její odmontování zatlačte směrem ven na zastavovací držák (2) tak, aby se podpůrná sestava zvedla nahoru a mimo vlečnou tyč.

C MONTÁŽ KRYTU (1) K PODPŮRNÉ SESTAVĚ (2)

POZNÁMKA: Pro snadnější montáž doporučujeme využít pomoci další osoby pro montáž krytu k traktoru.

- a. Umístěte kryt na zem za traktor dle ilustrace.
- b. Kryt zvedněte a otočte tak, aby se držák krytu zarovnal s podpůrnou soustavou.
- c. Zasuňte kryt dolů na podpůrnou soustavu.

D SESTAVA NÁDOBY

- a. Umístěte spodní polovinu (1) do horní poloviny (2).
- b. Umístěte jednu nohu do spodní poloviny a zvedněte horní polovinu.
- c. Stlačte poloviny pevně k sobě, zatímco zvednete horní část tak, aby zapadla na místo dle ilustrace.

DŮLEŽITÉ: PŘED ZAJIŠTĚNÍM KLAPEK (3) SE MUSÍ ZAHNUTÉ OKRAJE OBOU POLOVIN PŘEKRÝVAT A TVORIT TĚSNĚNÍ TAK, JAK JE UVEDENO NA VLISU.

- d. U ostatních nádob postup zopakujte.

KONTROLA MONTÁŽE: Stiskněte boky spodní poloviny nádoby a zkontrolujte, zda mezi horní a spodní polovinou není žádná mezera. Pokud se nějaká objeví, uvolněte klapky, oddělte poloviny nádoby a zopakujte výše uvedený postup.

E MONTÁŽ NÁDOBY

- a. Nainstalujte nejprve jednu nádobu na levou stranu (1). Nainstalujte druhou nádobu na pravou stranu (2).

POZNÁMKA: Levý okraj pravé nádoby by měl vždy přechýlávat přes pravý okraj levé nádoby na středové podpěře (3).

- b. Zavřete kryt a zajistěte rukojeť západek (4) na středové podpůrné tyči (3).

F PŘIPOJENÍ SPODNÍHO SVODU

- a. Zvedněte a přidržte deflektor (1) ve zvednuté poloze.
- b. Umístěte zářez ve spodním svodu na klapku (2) na sekačce a umístěte spodní svod nad otvor paluby dle ilustrace.
- c. Zahákněte zadní klapku (3) do otvoru planžety na zadní straně sekačky.
- d. Zahákněte přední klapku (4) do otvoru planžety na přední straně sekačky.

UPOZORNĚNÍ: Nesnímejte deflektor (1) ze sekačky. Zvedněte a přidržte kryt při připojování spodního svodu a nechte jej spočívat na svodu během používání.

G HORNÍ SVOD

- a. Spusťte sekačku do nejnižší sekací polohy.
- b. Smontujte horní svod (1) zasunutím zahnutého konce do otvoru na zadním krytu (2).
- c. Zatlačte a otočte horní svod, dokud není zarovnan se spodním svodem (3).
- d. Zarovnejte vodítka (4) na spodním svodu se zarovnávacími zářezy (4) na horním svodu a sesuňte je dohromady.
- e. Zajistěte gumovou západkou (5) tak, že zaháknete otvor v západce přes kolík západky (6).



TYPY PRO ÚČINNĚJŠÍ NAVÁDĚNÍ DO PYTLE:

Postupujte podle pokynů k používání sekačky uvedených v příručce k traktoru.

Ujistěte se, že je sekačka řádně vyrovnaná pro co nejlepší sekací výkon.

Při práci se zachycovačem trávy na trávníku, kde se nepoužívalo zařízení pro sběr trávy a listí, sbíráte odpad a plevel, který se zde nahromadil za dlouhé časové období. Sebrané množství a celková doba práce mohou být vyšší, než při pravidelném používání zachycovače trávy.

- Při pytlování vždy pracujte se sekačkou na plný výkon.
- Zvolte si dostatečně nízkou rychlost, abyste dosáhli dobrého výkonu při sekání, kvalitního střihu a dobré účinnosti pytlování.

POZNÁMKA: Podle vašich podmínek může být nezbytné, aby se šířka sekání překrývala.

- Pokud je tráva extrémně vysoká, je třeba ji posekat dvakrát. Poprvé relativně vysoko, podruhé pak na požadovanou výšku.
- Levou stranu sekačky použijte pro zastříhování.
- Do nádoby pro zachytávání trávy lze zasunout plastové pytle pro snadnější likvidaci odpadu. Jak odebrat plastové pytle po zaplnění:
 - a. Povolte nože, přeřaďte na neutrální, zatáhněte parkovací brzdou a zastavte motor.
 - b. Zvedněte sedadlo. Uvolněte a zvedněte kryt.
 - c. Sejměte jednu nádobu za druhou tak, že uchopíte rukojeť nádoby a zatáhnete dozadu, mimo trubicové kolejničky.
 - d. Když je nádoba na zemi, zavřete a zajistěte horní okraj plastového pytle na trávu.
 - e. Položte nádobu na stranu a vysuňte zaplněný pytel z nádoby.
 - f. Založte nový pytel na trávu a nechte okraje pytle přesahovat přes horní okraj nádoby.
 - g. U ostatních nádob postup zopakujte.
 - h. Nainstalujte nádoby zpět a nezapomeňte, že pravá nádoba musí přesahovat na střední podpěře levou nádobu.
 - j. Zavřete kryt a zajistěte západky přes středové podpůrné trubice.
- Nesekejte vlhkou travu nebo ráno, kdy je stále značný podíl rosy. Tráva sekaná za těchto podmínek je lepkavá a přilepuje se na stěny cest, což způsobí zanesení.
- Váš systém je vybaven ukazatelem zaplnění pytle. Pohyb kola se zvyšuje se zaplněním pytlů. Kolo se musí otáčet nejrychleji těsně před úplným zaplněním pytlů. Když se kolo zastaví, znamená to, že pytle jsou plné a svody jsou neprůchodné.

POZNÁMKA: Aby nedocházelo k neprůchodnosti svodů, kontrolujte/vyprazdňujte pytle, když se kolo točí rychle. Nejlepší dobu pro vyprázdňování pytlů poznáte zkušenostmi.

- Dávejte pozor, aby nedošlo k poškození součástí a aby se kolo otáčelo volně na začátku každého používání.
- Pokud zachycovač trávy nedokáže sbírat trávu nebo listí, znamená to, že v systému došlo k zanesení nebo že nádoby zachycovače trávy jsou plné. Obvykle toto naznačuje zastavený pohyb ukazatele zaplněného pytle.

- a. Povolte nože, přeřaďte na neutrální, zatáhněte parkovací brzdou a zastavte motor.
 - Zvedněte sedadlo. Uvolněte a zvedněte kryt.
 - Vysuňte nádoby a vysypte obsah.
 - Vraťte nádoby zpět, zavřete kryt i západku.
- b. Uvolněte svody a zkontrolujte, nedošlo-li k zanesení.
 - Odeberte všechny nečistoty ve svodech.
 - Proveďte opětovnou montáž a svody zajistěte
- c. Zkontrolujte, zda se ukazatel zaplnění pytle nezanese.
 - Otvor pro průchod vzduchu musí být volný. Pro vyčištění zasuňte do průchodu opatrně větvíčku nebo drátek.

⚠ UPOZORNĚNÍ

- **Nepoužívejte sekačku s jen částečně nainstalovaným zachycovačem trávy.**
- **Uvolněte nože a zastavte motor, než opustíte sedadlo traktoru pro vyprázdňování nádob, uvolnění svodů atd.**
- **Před startem zavřete kryt.**
- **Uvolněte sekačku při přejezdu cest nebo šterkových ploch a jiných prostor, kde by mohly odhazované předměty způsobit riziko.**
- **Nesnažte se vysávat plechovky nebo jiné předměty s rizikem ohrožení.**

OBECNÁ DOPORUČENÍ

Vždy dodržujte bezpečnostní pravidla při provádění údržby.

- Před každým použitím zkontrolujte pevnost svorek.
- Po každém použití jednotku pečlivě vyčistěte.

PÉČE O NOŽE

Nože sekačky musí být neustále ostré pro co nejlepší výsledek. Ohnuté nebo poškozené nože vyměňte.

- Viz pokyny týkající se PÉČE O NOŽE v příručce k traktoru.

⚠ UPOZORNĚNÍ: PŘED PROVÁDĚNÍM ÚDRŽBY, SERVISU NEBO NASTAVENÍ:

- Zcela sešlápněte pedál brzd a zatáhnete parkovací brzdu.
- Umístěte řadicí páku/páku pro kontrolu pohybu do neutrální pozice (N).
- Umístěte kontrolu spojky do pozice "UVOLNĚNO".
- Otočte zapalovací klíček do pozice "VYPNUTO".
- Ujistěte se, že nože a všechny pohyblivé části se zcela zastavily.
- Odpojte kabel svíčky od svíček a umístěte kabel tam, kde nemůže přijít do kontaktu se svíčkou.

⚠ UPOZORNĚNÍ: Součásti zachycovače trávy se mohou opotřebit, poškodit a zhoršit, a může tak dojít k odhalení pohyblivých částí nebo odhazování předmětů. Součásti pravidelně kontrolujte a vyměňujte za součásti doporučené výrobcem dle potřeby.

USKLADNĚNÍ

Když se má zachycovač trávy na delší časové období uskladnit, řádně jej vyčistěte, odstraňte všechny nečistoty, trávu, listy atd. Uskladněte na čistém suchém místě.

⚠ UPOZORNĚNÍ: Nenechávejte v nádobách trávu. Po každém použití a před uskladněním nádoby vyprázdněte. Jinak by mohlo dojít k samovolnému vznícení, jež by mohlo způsobit požár.

BEZPEČNOSTNÍ PRAVIDLA

Bezpečný provoz na traktorových sekačkách

DŮLEŽITÉ: Tato traktorová sekačka dokáže useknout ruce a nohy a odmrštovat předměty. Nedodržení následujících bezpečnostních pokynů může mít za následek vážná nebo smrtelná poranění.

I. ŠKOLENÍ – PRŮPRAVA

- Pečlivě si přečtěte instrukce. Seznamte se s ovládacími prvky a správným použitím stroje.
- Nikdy nedovolte dětem, nebo osobám, které nebyly seznámeny s těmito instrukcemi, aby použily sekačku. Sekačku nesmí obsluhovat osoby mladší 18 let.
- Nikdy nesekejte, pokud se v blízkosti pohybují lidé, zejména děti a domácí zvířata.
- Mějte vždy na paměti, že obsluha stroje nebo uživatel, je odpovědný za nehody nebo za rizika, způsobené jiným osobám nebo na jejich majetku.
- Nepřevázejte lidi.
- Všichni řidiči musí získat odborné instrukce a praktické zkušenosti. Takovéto instrukce by měly zdůrazňovat:
 - nutnost opatrnosti a soustředění se při práci na traktorové sekačce;
 - že použitím brzd, nelze získat zpět ovladatelnost nad traktorovou sekačkou, která se klouže se svahu.

Hlavními důvody ztráty kontroly jsou:

- a) nedostatečná trakce kol
- b) příliš rychlá jízda
- c) nedostatečné brždění
- d) typ stroje není vhodný pro daný úkol
- e) nedostatečné zhodnocení půdních podmínek, zejména při práci na svazích
- f) nesprávné zapojení a připojení zařízení, a rozložení zátěže.

II. Příprava

- Riziko vznícení snížíte, když před použitím, doplňováním paliva a na konci každého žacího cyklu stroj prohlédnete a odstraníte veškerou nahromaděnou nečistotu z traktoru, žacího zařízení a za všemi kryty.
- Při sekání vždy noste pevnou obuv a dlouhé kalhoty. Sekačku neprovozujte, pokud jste bosí nebo v sandálech.
- Pečlivě prohlédněte pracovní plochu a odstraňte z ní všechny předměty, které by mohly být odmrštěny strojem.
- **VAROVÁNÍ** – Benzin je vysoce zápalný.
 - Skladujte palivo v nádobách specificky k tomu určených.
 - Palivo doplňujte pouze venku a nekuřte při doplňování paliva.
 - Palivo se doplňuje před nastartováním motoru. Nikdy nesnímejte víčko palivové nádrže, nebo nedoplňujte benzin, pokud je motor v chodu, nebo je horký.
 - Pokud rozlijete benzin, nepokoušejte se nastartovat motor, ale přemístěte stroj dál od místa rozlití. Vyhnete se vytvoření jakéhokoliv zdroje zapálení do doby, než budou benzinové páry rozptýleny.
 - Řádně dotáhněte víčka palivových nádrží a nádob.
- Vyměňte vadný tlumič výfuku.
- Před použitím, vizuálně překontrolujte, zda nejsou žací nože, upevňovací šrouby nožů a žací ústrojí, opotřebované nebo poškozené. Poškozené nebo opotřebované žací nože vyměňujte vždy v sadě společně s upevňovacími šrouby, aby bylo dodrženo správné vyvážení.
- U více nožových strojů, dbejte opatrnosti, jelikož otáčení jednoho nože může způsobit, že se roztočí druhý nůž.



III. Provoz

- Neprovozujte stroj v uzavřeném prostoru, kde by mohlo dojít ke koncentraci nebezpečného kyslíčnicku uhelnatého.
- Se sekačkou pracujte pouze za denního světla nebo při dobrém umělém osvětlení.
- Před nastartováním motoru, vždy vypněte náhon žacího ústrojí a zařaďte neutrální.
- Sekačku nepoužívejte na svazích s větším sklonem než 5°.
- Pamatujte si, že neexistuje „bezpečný“ svah. Jízda po trávnatých svazích vyžaduje zvýšenou pozornost. Abyste předešli převrácení dodržujte následující pokyny:
 - při jízdě po i proti svahu se náhle nezastavujte nebo nerozjíždějte;
 - spojku zabírejte pomalu, vždy mějte zařazený převodový stupeň, zejména při jízdě ze svahu;
 - rychlost stroje musí být nízká při práci na svazích a během ostrých zatáček;
 - dávejte pozor na hrby a propadliny a jiná skrytá rizika;
 - nikdy nesekejte napříč svahem, pokud není sekačka konstruována pro tento účel;
- Buďte opatrní při práci s tažným zařízením, nebo při použití těžkých zařízení.
 - Připojte tažná zařízení pouze na určeném závěsném bodě;
 - Omezujte hmotnost taženého nákladu tak, aby nebyla ohrožena bezpečná ovladatelnost stroje;
 - Nezatáčejte prudce. Buďte opatrní při couvání;
 - Používejte protizávaží nebo závaží na kolech, je-li to doporučeno v tomto návodu k používání.
- Pozor na silniční provoz při přejezdění komunikace, nebo při práci v blízkosti silnic.
- Vypněte žací ústrojí při přejezdění jiných ploch, než trávnatých.
- Při práci s jakýmkoli typem žacího ústrojí, nesmí vyhazovaný materiál v žádném případě směřovat na osoby v okolí, a ani nedovolte, aby se někdo pohyboval v blízkosti stroje během jeho provozu.
- Nikdy neuvádějte stroj do provozu s vadnými ochrannými kryty a štíty, nebo bez bezpečnostních ochranných zařízení.
- Neměňte nastavení regulátoru otáček a nepřetácejte motor. Provozování motoru při nadměrných otáčkách, může zvýšit riziko osobního poranění.
- Předtím, než opustíte místo obsluhy:
 - vypojte pohon žacího ústrojí a spusťte dolu žací ústrojí;
 - zařaďte neutrální a zabrzděte parkovací brzdou;
 - zastavte motor a vytáhněte klíček zapalování.
- Vypněte pohon žacího ústrojí, zastavte motor, odpojte kabel(y) zapalovací svíčky, nebo vytáhněte klíček zapalování
 - před odstraňováním materiálu ucpávajícího nůž nebo vyhazovací žlab;
 - před kontrolou, čištěním nebo údržbou traktoru;
 - po nárazu na cizí předmět. Zkontrolujte, zda není stroj poškozen a proveďte opravu před opětovným nastartováním a provozováním stroje;
 - začne-li stroj neobvykle vibrovat (provést kontrolu ihned).
- Vypněte všechny pohony závěsných zařízení při přepravě stroje, anebo když není stroj používán.
- Vypněte motor a odpojte pohon závěsného zařízení
 - před doplňováním paliva
 - před demontáží sběracího koše;
 - před nastavením výšky sečení, pokud nemůže být seřízení provedeno z místa obsluhy.
- Snízte nastavení plynu v době doběhu motoru a pokud je motor vybaven uzavíracím ventilem pro přívod paliva, zavřete jej po skončení práce.

IV. Údržba a skladování

- Dbejte na to, aby všechny matice, svorníky a šrouby byly pevně utaženy, aby bylo zaručeno, že bude stroj při provozu bezpečný.
- Nikdy traktor neskladujte s benzinem v nádrži v místech, kde by výpary mohly přijít do styku s otevřeným ohněm, nebo jiskrami.
- Motor nechte vychladnout před uskladněním v uzavřených prostorách.
- Aby se snížilo nebezpečí požáru, udržujte motor, tlumič výfuku, skříň akumulátoru a prostor kde skladujete benzin, prostý od trávy, listů, nebo nadměrného množství mazacího tuku.
- Kontrolujte často opotřebení a poškození koše na trávu.
- Z bezpečnostních důvodů vyměňte opotřebované nebo poškozené díly.
- Má-li být palivová nádrž vyprázdněna, provádějte to venku.
- U vícenožových strojů, dbejte opatrnosti, jelikož otáčení jednoho nože může způsobit, že se roztočí ostatní nože.
- Má-li být stroj zaparkován, skladován nebo ponechán bez dozoru, spusťte žací ústrojí dolů v případě, že nepoužijete spolehlivé mechanické zablokování.

⚠ VÝSTRAHA: Vždy odpojte kabel ze zapalovací svíčky a umístěte ho tak, aby nemohl přijít do styku se svíčkou, a tak zabránit náhodnému nastartování motoru při montáži, přepravě, seřizování a opravách.

A IDENTIFIKACIJA DIJELOVA

1. Vrh spremnika
2. Dno spremnika
3. Gornja dovodna cijev
4. Donja dovodna cijev
5. Poklopac
6. Kazalo popunjenosti vrećice
7. Reza gornje dovodne cijevi
8. Reze donje dovodne cijevi
10. Potporni sklop

B POTPORNİ SKLOP

- a. Vaš traktor već ima četiri (4) ramena zavrtnja instalirana na stražnjoj poteznoj šipci, prosto objesite potporni sklop na te zavrtnje (1).
- b. Da biste uklonili potporni sklop, izvucite zaustavnu konzolu (2) dovoljno da bi se potporni sklop mogao podići i ukloniti s potezne šipke.

C POKROVNI SKLOP (1) NA POTPORNİ SKLOP (2)

NAPOMENA: Za lakše sklapanje, možda trebate zamoliti za pomoć drugu osobu kod postavljanja pokrovnog sklopa na traktor.

- a. Postavite pokrovni sklop na zemlju iza traktora, kako je prikazano.
- b. Podignite i zaokrenite poklopac da biste uskladili pokrovnu konzolu s potpornim sklopom.
- c. Natakните pokrovni sklop odozgor prema dolje na potporni sklop.

D SKLOP SPREMNIKA

- a. Postavite donju polovicu (1) unutar gornje polovice (2).
- b. Postavite jedno stopalo unutar donje polovice o podignite gornju polovicu tako da se izjednači s donjom polovicom.
- c. Čvrsto pritisnite polovice jednu uz drugu a u isto vrijeme podignite vrh da bi se uklopilo na mjesto, kako je prikazano.

VAŽNO: PRIJE UKLAPANJA JEZIČAKA (3), kukaste ivice na obama polovicama moraju se preklapati i formirati hermetički spoj kako je prikazano na dodatku.

- d. Ponovite s ostalim spremnicima.

PROVJERA SKLOPA: Pritisnite stranice donje polovice spremnika i provjerite da nema kakve praznine između gornje i donje polovice. Ako se pojavi praznina, rasklopite jezičke te odvojite polovice, i ponovite gornje upute.

E INSTALIRANJE SPREMNIKA

- a. Instalirajte prvo jedan spremnik na lijevu stranu (1). Instalirajte drugi spremnik na desnu stranu (2).

NAPOMENA: Lijeva ivica desnog spremnika treba se uvijek preklapati s desnom ivicom lijevoga spremnika na središnjem osloncu (3).

- b. Zatvorite poklopac i zaključajte ručku od reze (4) preko središnje potporne cijevi (3).

F PRIKAČITE DONJU DOVODNU CIJEV

- a. Podignite i pridržite štít izbacivača trave (1) u uspravnom položaju.
- b. Postavite uski otvor u donjoj dovodnoj cijevi preko zupca (2) na platformi za košenje i postavite donju dovodnu cijev preko otvora na platformi, kako je prikazano.
- c. Zakvačite stražnju rezu (3) u postrani otvor na platformi za košenje.
- d. Zakvačite prednju rezu (4) u zupčasti otvor na prednjoj strani platforme za košenje.

OPREZ: Nemojte uklanjati štít izbacivača trave (1) sa kosilice. Podignite i pridržite štít kad prikačujete donju dovodnu cijev a pustite ga da miruje kad je dovodna cijev u radu.

G GORNJA DOVODNA CIJEV

- a. Spustite kosilicu na najniži položaj košenja.
- b. Sklopite gornju dovodnu cijev (1) uvođenjem zavijenog kraja u otvor na pozadini poklopca (2).
- c. Gurnite prema unutra i okrećite gornju dovodnu cijev dok ne bude uskladena s donjom dovodnom cijevi (3).
- d. Uskladite ispuččenja (4) na donjoj dovodnoj cijevi s otvorima za uklapanje (4) na gornjoj dovodnoj cijevi i sklopite.
- e. Učvrstite gumenom rezom (5) tako što ćete otvor u rezi zakvačiti za iglu reze (6).



SAVJETI ZA BOLJI RAD S VREĆICOM ZA PRIKUPLJANJE:

Pratite upute za rad s kosilicom u svojim uputama za uporabu traktora.

Budite sigurni da je kosilica u dobroj ravnoteži da bi mogla raditi maksimalno učinkovito.

Kad radite s hvatačem trave na travnjaku gdje se ne koristi oprema u vidu vrećica za spremanje trave i lišća, kupite slamu i otpad koji se tu skupljao dugo vremena. Nakupljena količina i ukupno razdoblje rada mogu biti veći nego što bi bili uz redovito rabljenje hvatača trave.

- Kad radite s vrećicom za prikupljanje, uvijek radite punom snagom stroja.
- Odaberite brzinu motora dovoljnu da bi kosilica mogla učinkovito raditi, kvalitetno kositi i dobro prikupljati bilje.

NAPOMENA: Može biti neophodno preklapati širine košenih dijelova da bi se zadovoljili vaši uvjeti.

- Ako je trava krajnje visoka, nju treba pokositi dvaput. Prvi put relativno visoko, drugi put na željenu visinu.
- Za podrezivanje rabite lijevu stranu kosilice.
- U unutrašnjost hvatača trave se mogu umetnuti plastične vrećice za smeće da bi se otpad lakše odlagao. Kad se vrećica napuni, uklonite je na sljedeći način:
 - a. Skinite oštrice, ubacite u neutralnu brzinu motora, upalite kočnicu za parkiranje i zaustavite motor.
 - b. Podignite sjedalo. Skinite rezu s poklopca i podignite ga.
 - c. Uklanjajte jedan po jedan spremnik hvatajući za ručke spremnika i vukući prema nazad, od šina cijevi.
 - d. Dok je spremnik na zemlji, zatvorite i učvrstite vrh plastične vrećice za travnjak.
 - e. Nagnite spremnik na stranu i umetnite punu vrećicu iz spremnika.
 - f. Postavite novu plastičnu vrećicu s ivicama vrećice omotanom oko gornje usne spremnika.
 - g. Ponovite s ostalim spremnicima.
 - h. Ponovno postavite spremnike tako da se desni spremnik preklapa s lijevim na središnjim osloncima.
 - j. Zatvorite poklopac i učvrstite reze preko središnjih potpornih cijevi.
- Izbjegavajte kositi mokru travu ili ujutro dok je rosa još jaka. Odrezana trava prikupljena pod tim uvjetima obično je ljepljiva i lijepi se za zidove protočne staze, koja se time začepi.
- Vaš stroj s vrećicom za prikupljanje bilja opremljen je kazalom za punost vrećice. Kretanje točka se povećava kako se vrećice pune. Točak će se okretati najbrže baš prije nego što će se vrećice u potpunosti napuniti. Kad se točak zaustavi, on označava da su vrećice pune i da su se dovodne cijevi začepile.

NAPOMENA: Da bi se spriječilo čepljenje dovodnih cijevi, provjeravajte i praznite vrećice kad se točak vrti ubrzano. Iskustvom ćete naučiti kad je najbolje vrijeme da se vrećice isprazne.

- Treba pripaziti da se ne oštete dijelovi i da se točak okreće slobodno na početku svake uporabe.
- Ako hvatač trave ne kupi košenu travu ili lišće, to označava da je došlo do začepljenja u sustavu ili da su spremnici hvatača trave puni. Obično je to naznačeno zaustavljanjem kretanja kazala punosti stroja s vrećicom za prikupljanje bilja.
 - a. Skinite oštrice, ubacite u neutralnu brzinu motora, upalite kočnicu za parkiranje i zaustavite motor.
 - Podignite sjedalo. Skinite rezu s poklopca i podignite ga.
 - Izvadite spremnike i uklonite košeno bilje.
 - Vratite spremnike na mjesto, zatvorite poklopac, i učvrstite rezu.
 - b. Skinite rezu s dovodnih cijevi i provjerite da nisu začepljene.
 - Uklonite sav otpad iz dovodnih cijevi.
 - Ponovno sastavite dovodne cijevi i učvrstite ih rezom.
 - c. Provjerite da se nije začepilo kazalo punosti vrećica za prikupljanje bilja.
 - Otvor za prolaz zraka mora biti čist od otpada. Blago uvedite grančicu ili malu žicu u taj prolaz i očistite ga.



OPREZ

- Nemojte raditi s kosilicom gdje je hvatač trave djelomice postavljen.
- Skinite oštrice i zaustavite motor prije no što napustite sjedalo traktora da biste ispraznili spremnike, odčepili dovodne cijevi, itd.
- Zatvorite poklopac prije ponovnog pokretanja stroja.
- Isključite kosilicu kad prelazite ceste ili šljunčane površine i druge zone gdje bi odbačeni predmeti mogli predstavljati opasnost.
- Ne pokušavajte usisati konzerve ili druge potencijalno opasne predmete.

OPĆE PREPORUKE

Uvijek poštujujte sigurnosna pravila kad obavljate bilo kakvo održavanje.

- Prije svake uporabe provjerite da li ima otkačenih spona.
- Nakon svake uporabe jedinicu temeljito očistite.

ODRŽAVANJE OŠTRICA

Ako želite najbolje rezultate, oštrice kosilice se moraju održavati oštima. Zamijenite iskrivljene ili oštećene oštrice.

- Vidi upute za ODRŽAVANJE OŠTRICA u uputama za uporabu svoga traktora.

⚠ OPREZ: PRIJENEGO ŠTO ČETE OBAVLJATI BILO KAK VOĐŽAVANJE, SERVISIRANJE ILI PODEŠAVANJE:

- Potpuno otpustite pedalu kvačila i pritisnite kočnicu za parkiranje.
- Postavite polugu za mijenjanje brzina/kontrolu kretanja u neutralni (N) položaj.
- Postavite kontrolu kvačila u položaj "ISKLUČENO".
- Okrenite ključ za paljenje stroja na položaj "UGAŠENO".
- Provjerite da li su se sve oštrice i pokretni dijelovi sasvim zaustavili.
- Isključite žicu(žice) za svjećice iz svjećica i postavite žicu tamo gdje ne može doći u dodir sa svjećicom.

⚠ OPREZ: Komponente hvatača trave se mogu istrošiti, oštetiti i pokvariti, što može izložiti pokretne dijelove ili omogućiti izbacivanje predmeta. Često provjeravajte komponente i po potrebi ih zamijenite dijelovima koje je preporučio proizvođač.

ČUVANJE

Kad se hvatač trave treba odložiti na neko vrijeme, temeljito ga očistite, uklonite svu prašinu, travu, lišće, itd. Čuvajte na čistom, suhom mjestu.

⚠ OPREZ: Nemojte ostavljati travu u vrećicama spremnika. Ispraznite spremnike nakon svake uporabe kao i prije odlaganja. Ako to ne učinite, može doći do spontanog zapaljenja koje se može razviti u požar.

SIGURNOSNI PROPISI

Pravila postupka za siguran rad kosilicom

VAŽNO: Ovaj rezacki stroj možete lakom odrezati šake i stopala. Kao i razbacivati predmete koji mu se nađu na putu. Greška ne pridržavanja slijedećih sigurnosnih naputaka može uzrokovati teške ozljede ili smrt.

I. OBUKA

- Pažljivo pročitajte naputke. Dobro upoznajte upravljanje i pravilnu rabu opreme.
- Nikada ne smijete dozvoliti djeci ili odraslim, koji ne poznaju ove naputke, rabu kosilice za travnjake. Lokalni propisi mogu postavljati starosnu granicu za rad s kosilicom.
- Nikada ne smijete kositi u blizini ljudi, a posebno djece ili domaćih životinja.
- Stalno mislite na to, da je rukovatelj odnosno vlasnik odgovoran za nezgode ili dovođenje u opasnost drugih ljudi ili njihove imovine.
- Ne smijete prevoziti putnike.
- Svi vozači bi trebali nabaviti i pročitati stručne naputke i praktične savjete. Takvi naputki naglašavaju da:
 - pri vožnji stroja morate biti pažljivi i skoncentrisani na radove koje obavljate;
 - nadzor nad strojem, kada klizi na strmini, ne možete povratiti upotrebom kocnica.

Glavni razlozi za gubitak nadzora su:

- a) nedovoljno nalijeganje kotaca;
- b) prebrza vožnja;
- c) neprikladno kocenje;
- d) tip stroja nije prikladan za posao kojeg obavlja;
- e) pomanjkanje znanja o utjecaju konfiguracije zemljišta, a posebno nagiba, na vožnju;
- f) nepravilna distribucija vuče i opterećenja

II. PRIPREME

- Da biste smanjili rizik od vatre – prije uporabe, pri ponovnom dodavanju goriva i na kraju svake košnje – provjerite i uklonite nagomilane ostatke s traktora, stroja za košnju i iza svih zaštitnih naprava.
- U toku rada s kosilicom, nosite izdržljivu obuću i duge hlače. Ne rukujte opremom bosih nogu ili u otvorenim sandalima.
- Detaljno pregledajte područje rabe opreme i uklonite sve predmete koje bi stroj mogao razbacati.
- **UPOZORENJE** – Benzin je vrlo lako zapaljiv.
 - Čuvajte gorivo u kontejnerima posebno izrađenim za tu svrhu.
 - Dolijevajte gorivo samo napolju. Tijekom dolijevanja ne smijete pušiti.
 - Dolijte gorivo prije pokretanja motora. Nikada ne skidajte poklopac rezervoara za gorivo i ne dolijevajte benzin dok je motor u radu ili dok je vruć.
 - Ako se benzin izlio, ne pokrecite motor nego odmaknite stroj rukno podalje od mjesta izlivanja i izbjegavajte stvaranje bilo kakve iskre odnosno paljenja sve dok su prisutna isparenja benzina.
 - Zamijenite sve rezervoare goriva i poklopce kontejnera u slučaju njihovog oštećenja.
- Zamijenite pokvareni ispuh.
- Prije rabe, uvijek vizualno pregledajte da li su noževi, vijci noževa i dijelovi sklopa za rezanje istrošeni ili oštećeni. Zamijenite istrošene ili oštećene noževe i vijke u kompletu, da se održi ravnoteža.
- Budite narocito pozorni pri pregledu strojeva sa više noževa, gdje rotacija jednog noža može uzrokovati rotaciju svih drugih noževa.
- Smanjite prigušivanje kad motor nije u radu i ako motor ima ventil za prekid dovoda goriva, zatvorite dovod goriva na koncu rada.



III. UPRAVLJANJE STROJEM

- Ne pokrecite motor u zatvorenim prostorima gdje ce se nabirati isparivanja opasnog ugljicnog monoksida.
 - Kosite samo na dnevnom svjetlu ili uz dobru umjetnu rasvjetu.
 - Prije pokretanja motora iskopcajte sve spojke za ukopcavanje pogona noževa, postavljanjem rucice u neutralan položaj.
 - Ne uporabljajte stroj na nagibima vecim od 5°.
 - Znajte da ne postoji "sigurna" strmina. Vožnja po travnatoj strmini zahtijeva posebnu pažnju. Da se zaštitite od mogućeg prevrtanja:
 - ne zaustavljajte se i ne krećite naglo kada se penjete uz odnosno silazite niz strminu;
 - ukopcavajte spojku polako, mjenjac neka bude uvijek ukopčan na neku od brzina, a posebno kada vozite niz strminu;
 - stroj se treba kretati malim brzinama na strminama i na oštrim okucama;
 - stalno budite spremni na moguće grbe i rupe te druge skrivene opasnosti;
 - nikada ne kosite poprecno na smjer strmine osim kada je kosilica za travnjake izrađena za takvu namjenu.
 - Pažljivo vucite teret i s pažnjom rabite tešku opremu.
 - Rabite samo odobrene vucne kuke.
 - Ogranicite teret do težine kojom možete sigurno upravljati.
 - Ne pravite oštre zaokrete. Budite pažljivi pri vožnji unatrag.
 - Rabite protutegove ali tegove za kotace kada je to predviđeno u priručniku s naputcima.
 - Pazite na saobraćaj na raskrsnicama i u blizini autoceste.
 - Prije nego što napustite travnjak, koji ste kosili, iskopcajte pogon uređaja za rezanje.
 - Pri rabi nekog od priključaka nikada ne usmjeravajte pražnjenje materijala prema promatracima i ne dozvolite da se približavaju stroju dok je u radu.
 - Nikada ne pokrecite kosilicu za travnjake ako ima oštećena vodila, štitnike ili nema ugrađene potrebne sigurnosne zaštitne uređaje.
 - Ne mijenjajte podešene parametre motora i ne prekoračujte maksimalni kapacitet motora. Rad motora s prevelikim brojem okretaja povećava rizik za ozljede osoba.
 - Prije nego što napustite stroj potrebno je:
 - iskopcati energiju za dizanje i spuštanje priključaka;
 - prebaciti rucicu mjenjaca u neutralan položaj i zategnuti parkirnu kocnicu;
 - zaustaviti motor i izvuci ključ.
 - Iskopcajte pogon priključaka, zaustavite motor i skinite priključni kabel svjećice ili izvucite kontaktni ključ u slijedećim primjerima:
 - prije cišćenja zacepljenja ili odcepljavanja izlazne cijevi košare;
 - prije provjere, cišćenja ili radova na kosilici za travnjak;
 - poslije udarca u nepoznat objekt. U tom slučaju odmah pregledajte kosilicu za travnjak i popravite oštećenja prije ponovnog pokretanja motora i stavljanja opreme u rad;
 - ako stroj pocne nenormalno vibrirati (provjerite odmah moguće uzroke).
 - Iskopcajte priključke s pogona prije transporta ili kada nisu u rabi.
 - Zaustavite motor i iskopcajte priključke s pogona:
 - prije dopunjavanja goriva;
 - prije vadenja hvatača trave;
 - prije podešavanja visine, ako se visina ne može podesiti sa rukovateljevog mjesta.
- ## **IV. ODRŽAVANJE I SKLADIŠTENJE**
- Održavajte sve matice i vijke cvrstno zategnute da bi osigurali uvjete za pravilan rad opreme.
 - Nikada ne skladištite opremu sa benzinom u rezervoaru, u zatvorenom prostoru gdje isparivanja mogu doći u kontakt sa otvorenim plamenom ili iskrnom.
 - Sacekajte da se motor ohladi prije skladištenja u bilo kakvom zatvorenom prostoru.
 - Da smanjite opasnost od požara održavajte motor, ispuh, odjeljak za akumulator i područje oko rezervoara za benzin očiscene od trave, lišća i prekomjerne masnoće.
 - Provjeravajte redovno hvatač trave da na vrijeme uocite dotrajalost ili kvarove.
 - Zamijenite dotrajale ili oštećene dijelove zbog sigurnosti rada.
 - Ako je potrebno ispustiti benzin iz rezervoara za gorivo, to se mora raditi na otvorenom.
 - Budite narocito pozorni na strojeve sa više noževa, jer rotacija jednog noža može uzrokovati rotaciju svih drugih noževa.
 - Kada se stroj parkira, skladišti ili ostavlja bez nadzora, spustite uređaj za rezanje ili uporabite sigurnosno mehanicko zaključavanje.
- ⚠ OPREZ:** Uvijek skinite priključni kabel svjećice i postavite ga tako da ne može doći u kontakt sa svjećicom i izazvati pokretanje motora po nezgodi pri namještanju, transportu, podešavanju ali vršenju popravki.

A IDENTIFIKACIJA DELOV

1. Gornji del zbiralnika
2. Spodnji del zbiralnika
3. Gornji lijak
4. Spodnji lijak
5. Pokrov
6. Indikator polnosti vreče
7. Zaklep gornjega lijaka
8. Zaklepi spodnjega lijaka
10. Podporni sestav

B PODPORNİ SEŠTAV

- a. Vaš traktor ima na montažni plošči že nameščene štiri (4) stebelne vijake, na katere podporni sestav (1) preprosto obesite.
- b. Da podporni sestav demontirate, ga povlecite iz konzole (2) tako daleč, da ga lahko dvignete in odstranite iz montažne plošče.

C POKRIVNI SEŠTAV (1) NATAKNITE NA PODPORNEGA (2)

OPOMBA: Zaradi lažje montaže sestava na traktor si boste verjetno priskrbeli pomoč druge osebe.

- a. Postavite otkrivni sestav na tla za traktorjem, kot je prikazano.
- b. Dvignite in obrnite pokrov, tako da se njegova konzola poravna s podpornim sestavom.
- c. Natakните pokrovni sestav na podpornega.

D ZBIRALNIK

- a. Vstavite spodnjo polovico (1) v gornjo (2).
- b. Vstavite eno podnožje v spodnjo polovico in dvignite gornjo, da se obe spojita.
- c. Obe polovici trdno stisnite, tako, da se med dvigovanjem gornja zaskoči kot je prikazano.

POMEMBNO: PRED ZASKOČITVIJO PERES (3), SE MORATA OBA ROBOVA PREKRIVATI, KER JE LE TAKO ZAGOTOVLJENO PRIMERNO TESNENJE, PRIKAZANO NA IZSEKU.

- d. Postopek ponovite pri ostalih zbiralnikih.

PREVERJANJE SEŠTAVLJENOSTI: Stisnite strani spodnje polovice zbiralnika in preverite da med njimi in gornjim delom ni reže. Če se pojavi reža, iztakните peresa, ločite oba dela ter ponovite postopek združevanja.

E MONTAŽA ZBIRALNIKA

- a. Najprej vstavite zbiralnik na levi strani (1). Vstavite drugega na desni strani (2).

OPOMBA: Levi rob desnega zbiralnika naj, na osrednji podpori, prekriva desni rob levega zbiralnika (3).

- b. Zaprite pokrov in zapahnite zaklep (4) preko osrednje podporne cevi (3).

F PRIKLOP SPODNJEGA LIJAKA

- a. Deflektorsko zaščito (1) dvignite in postavite v pokončni položaj.
- b. Odprtino spodnjega lijaka povlecite preko zaponke (2) na kosilnici in ga namestite kot je prikazano.
- c. Zadnjo kljukico (3) vstavite v zanko na zadnji plošči kosilnice.
- d. Prednjo kljukico (4) vstavite v odprtino na prednji plošči kosilnice.

SVARILO: Deflektorske zaščite (1) s kosilnice ne odstranjajte. Pri nameščanju spodnjega lijaka zaščito dvignite in zadržite, med obratovanjem pa ta lahko počiva na njemu.

G GORNJI LIJAK

- a. Spustite kosilnico v najnižji rezalni položaj.
- b. Sestavite gornji lijak (1) tako, da zavrt del vstavite v luknjo na zadnjem delu pokrova (2).
- c. Gornji lijak potisnite in in obračajte tako dolgo, dokler se ne poravna s spodnjim (3).
- d. Poravnajte izbikline (4) na spodnjem lijaku z regulacijskimi režami (4) na gornjem lijaku ter ju potisnite skupaj.
- e. Pričvrstite z gumijasto zaponko (5), tako da jo pripnete preko predvidene igle (6).

SI NASVETI ZA ZAGOTOVITEV VREČNEGA OBRATOVANJA:

Sledite navodilom za uporabo kosilnice, ki so del traktorjevih uporabniških navodil.

Prepričajte se, da je kosilnica pravilno spuščena in je omogočeno njeno optimalno delovanje.

Pri obratovanju na zelenici, kjer še ni bila uporabljena vrečna zbiralka, boste pobirali sugo travo in material, ki se je tam že dlje nabiral. Nabrana količina in čas, porabljen za obratovanje bosta lahko izdatnejša, kot ste ju vajeni pri običajni zelenici.

- Pri pobiranju v vrečo imejte plin vedno do konca odprt.
- Izberite primerno prestavo, da boste dosegali najboljši obratovalni učinek, dobro kvaliteto rezanja in pobiranja.

OPOMBA: Možno je, da boste v takšnih pogojih morali prekrivati rezalno površino.

- Če je trava zelo visoka, jo je potrebno rezati dvakrat. Prvič relativno visoko, drugič pa na izbrani višini.
- Za prirezovanje uporabite levo stran kosilnice.
- Za lažje odstranjevanje nakopičenega materiala, lahko v zbiralnike predhodno vstavite plastične vreče za smeti. Odstranjevanje polnih vreč za smeti:
 - a. Odklopite rezanje, prestavite v nevtralni položaj, aktivirajte ročno zavoro in zaustavite motor.
 - b. Dvignite sedež. Iztakните in dvignite pokrov.
 - c. Naenkrat odstranite po en zbiralnik in sicer tako, da ga primete za ročke in povlečete proti zadnji strani, ven iz cevnih vodil.
 - d. Ko je zbiralnik položen na tla, plastično vrečo zaprite in zavezite.
 - e. Nagnite zbiralnik in iz njega izvlecite vrečo.
 - f. Vstavite novo plastično vrečo, tako da ima ta robove preko zbiralnikovega gornjega ustja.
 - g. Postopek ponovite pri ostalih zbiralnikih.
 - h. Namestite zbiralnike nazaj, pri tem pa bodite pozorni, da na osrednji podpori robovi desnega prekrivajo robove levega.
 - j. Zaprite pokrov in pripnite zaponke preko osrednjih podpornih cevi.

- Izogibajte se košnji mokre trave ali jutranje košnje, ko je na njej še rosa. Takšna trava bo lepljiva in se bo nabirala na stenah ter povzročala mašenje.
- Priprava za vreče je opremljena z indikatorjem napoljenosti. Premikanje kolesa se med polnjenjem vreče pospešuje. Kolesce se bo najhitreje vrtele prav tik preden bo vreča polna. Ko se kolesce zaustavi, je to znak, da je vreča do konca polna, zato preti nevarnost, da se rezila zamašijo.

OPOMBA: Zaradi preprečevanja mašenja lijakov preverite in izpraznite vreče, ko opazite, da se kolesce hitro vrtili. Izkušnje vas bodo usposobile, da boste vreče menjavali v optimalnem trenutku.

- Na začetku slehernega obratovanja bodite pozorni na morebitne poškodbe delov in da se kolesce prosto vrtili.
- Če zbiralnik trave preneha zbirati travo ali slamo, je to znak, da je zamašen, ali da so zbiralniki polni. Ponavadi je to prikazano tako, da se indikatorsko kolesce povsem zaustavi.

- a. Odklopite rezanje, prestavite v nevtralni položaj, aktivirajte ročno zavoro in zaustavite motor.
 - Dvignite sedež. Iztakните in dvignite pokrov.
 - Iztakните zbiralnike in odstranite odrezke.
 - Zamenjajte zbiralnike, zaprite pokrov in zaponko.
- b. Iztakните lijake in preverite da niso zamešeni.
 - Odstranite nakopičene nečistoče.
 - Lijake ponovno sestavite in jih pritrdite.
- c. Preverite in poskrbite, da se indikator polnosti vreč ni zamašil.
 - Odprtina za pretok zraka mora biti čista. Vanjo nežno potisnite tanko vejico ali žico ter jo očistite.

SVARILO:

- **S kosilnico ne obratujte, če je rezalnik trave le delno nameščen.**
- **Preden zapustite traktorski sedež, da bi denimo izpraznili zbiralnike, očistili lijake, itd., odklopite delovanje rezil in zaustavite delovanje motorja.**
- **Pred začetkom obratovanja zaprite pokrov.**
- **Pri prečkanju voznih poti, peščenih površin ter povsod, kjer so odvrženi nevarni predmeti, odklopite delovanje kosilnice.**
- **Ploščevink ali ostalih potencialno nevarnih predmetov ne vakumirajte.**

TEMELJNA PRIPOROČILA

Pri obratovanju in vzdrževanju vedno upoštevajte varnostne predpise.

- Pred vsako uporabo preverite privitost delov.
- Vsakič po zaključku dela enote dobro očistite.


SKRB ZA REZILA

Zaradi najboljšega učinka morajo biti rezila vedno ostra. Nadomestite zvita ali poškodovana rezila.

- V traktorskih uporabniških navodilih glejte poglavje SKRB ZA REZILA.


SVARILO: PRED VZDRŽEVALNIMI, SERVISNIMI ALI NASTAVITVENIMI POSEGI:

- **Stopalko za sklopko do konca sprostite in aktivirajte ročno zavoro.**
- **Prestavno ročico pomaknite v nevtralni (N) položaj.**
- **Kontrolo sklopke prestavite v položaj "DISENGAGED" ("SPROŠČENO").**
- **Kontaktni ključ obrnite v položaj "OFF" (IZKLJUČENO).**
- **Prepričajte se, da so se rezila in vsi premikajoči deli popolnoma zaustavili.**
- **Odklopite električno žico(e) s svečke(svečk) in jo namestite v položaj, kjer ne more priti v stik s svečko.**

 **SVARILO:** Deli zbiralnika trave so izpostavljeni obrabi, poškodbam in kvarjenju, kar lahko povzroči, da premikajoči se deli med obratovanjem odpadejo. Redno preverjajte stanje in iztrošene dele, skladno s proizvajalčevimi navodili, po potrebi zamenjajte.

SHRANJEVANJE

Ko je zbiralnik trave potrebno za daljše obdobje shranjevati, ga temeljito očistite, odstranite vse nečistoče, travo, usedline, itd. Shranite ga v čistem, suhem prostoru.

 **SVARILO:** Ne pustite trave v zbiralnikih. Zbiralnike praznite po vsaki uporabi in pred shranjevanjem. Neupoštevanje teh napotkov se lahko odrazi v samovžigu, ki se razvije v požar.

VARNOSTNI PREDPISI

Navodila za varno delo s kosilnico

POMEMBNO: Ta stroj za rezanje lahko odreže roke in stopala. Ter zaluca predmete, ki se najdejo na poti. Ne prezrite naslednjih varnostnih navodil. Kajti njihovo neupoštevanje lahko povzroči hude poškodbe ali smrt.

I. URJENJE

- Preberite navodila pazljivo. Seznanite se z nadziranjem in pravilno uporabo opreme.
- Nikoli ne dovolite otrokom ali odraslim, ki niso seznanjeni s temi navodili, da uporabijo kosilnico za travnike. Morda vaši krajevni predpisi določajo starostno mejo za upravljanje s kosilnico.
- Nikoli ne uporabljajte stroja v bližini ljudi, posebej pa otrok ali domačih živali.
- Zavedajte se, da je za nesreče povzročene drugim ljudem ali njihovi lastnini odgovoren uporabnik oz. lastnik stroja.
- Ne prevozite potnikov.
- Vsi vozniki tega stroja morajo poiskati strokovna in praktična navodila ter se seznaniti z njimi. Takšna navodila morajo poudariti:
 - da mora biti uporabnik stroja med delom pazljiv in osredotočen na vožnjo;
 - da pri drsenju po travnati strmini zaviranje z zavorami ne ustavi stroja.

Glavni razlogi za izgubo kontrole nad strojem so:

- a) slab oprijem koles;
- b) prehitra vožnja;
- c) neustrezno zaviranje;
- d) tip stroja ne ustreza zahtevam za delo, ki se opravlja;
- e) premalo znanja o vplivu konfiguracije tal na premikanje, še posebej to velja za strmine;
- f) vlek in tovor sta neuravnovežena.

II. PRIPRAVE

- Za zmanjšanje tveganja požara – pred uporabo, ob ponovnem polnjenju in ob koncu vsakega košenja – preglejte in odstranite s traktorja, kosilnice in za vsemi varovali kakršne koli nakopičene neuporabne dele.
- Ob košnji imejte trpežno obutev in dolge hlace. Ne upravljajte stroja z bosimi nogami ali v sandalih.
- Pazljivo preglejte celotno zemljišče, ki ga boste obdelovali in odstranite vse predmete, ki jih stroj lahko zaluca.
- **SVARILO** – Bencin je hitro vnetljiva tekočina.
 - Gorivo naj bo shranjeno v posodah, ki so za to posebej izdelane.
 - Med točenjem goriva kosilnica ne sme biti v zaprtem prostoru. Med točenjem ne sme kaditi.
 - Gorivo natocite pred zagonom motorja. Ko motor deluje ali je še vroc, ne smete odpirati rezervoarja za gorivo ali dolivati bencina.
 - Če se bencin razlije, motorja ne smete takoj zagnati. Kosilnico rocno odpeljite stran od mesta razlivanja. Pri tem pa pazite, da ne pride do iskrenja oziroma uporabe ognja v območju, v katerem so prisotni bencinski hlapi.
 - Zamenjajte poškodovane rezervoarje goriva in preverite vse pokrove bencinskih posod.
- Zamenjajte poškodovane izpušne cevi.
- Pred uporabo morate opraviti vizualni pregled kosilnice. Preglejte obrabo oz. poškodovanost rezil, pritrdilnih vijakov za rezila in celotnega rezalnika. Zaradi ravnovesja morate obrabljena ali poškodovana rezila in vijake vedno zamenjati v kompletu.
- Pri pregledovanju strojev, ki imajo več rezil, bodite posebej previdni, saj vrtenje enega rezila lahko povzroči vrtenje vseh ostalih rezil.
- Če je motor prižgan, kosilnica pa ne deluje, zmanjšajte nastavev dušenja. Po koncani košnji prekinite dovod bencina zapiranjem ventila za dovod bencina, ce vaš motor ima vgrajen takšen ventil.

(SI) III. UPRAVLJANJE S STROJEM

- Motorja ne prižigajte v zaprtih prostorih, saj lahko pride do kopčenja nevarnega ogljikovega monoksida.
- Kosite le pri dnevni svetlobi ali pri dobri umetni razsvetljavi.
- Pred vžigom motorja izklopite vse sklopke za vklop pogona rezalnika, tako da postavite prestavno ročico v prosti tek
- Ne uporabljajte stroja na strmini z nagibom preko 5°.
- Zavedajte se, da nobena strmina ni povsem "varna". Vožnja po travnati strmini zahteva posebno previdnost. Da se izognete možnemu prevrcaanju kosilnice, upoštevajte naslednja navodila:


- Pri vožnji po strmini navzgor ali navzdol ne smete mocno pospeševati ali zavirati.
- sklopko vklopite pocasi; vozite vedno v eni od prestav, še posebej to velja za vožnjo navzdol;
- na vecjih nagibih in ostrih ovinkih morate zmanjšati hitrost;
- vedno bodite pripravljeni na morebitne luknje ali grbine ter druge skrite nevarnosti;
- nikoli ne vozite precno na strmino, razen ce je kosilnica prirejena za ta namen.

- Še posebej bodite previdni pri vleki bremen in uporabi težke opreme.
 - Uporabljajte le odobrene vlečne kljuge.
 - Omejite težo tovora na takšno, ki jo boste z lahkoto nadzorovali.
 - Ne obracajte stroja naglo. Bodite previdni pri vožnji nazaj.
 - V primerih, ki so določeni v priročniku z navodili, uporabljajte protiuteži ali uteži za kolesa.

- Pazite na promet na križiščih in v bližini avtocest.
- Preden zapeljete s travnika, ki ste ga kosili, ne pozabite izklopiti pogona rezil.
- Pri uporabi priključkov pazite, da ne razkladate ali praznite v smeri ljudi, ki so v bližini. Ne dovolite, da se kdorkoli približa stroju med delovanjem.
- S kosilnico ne smete delati, ce ima poškodovana vodila in ščitnike ali nima nameščenih zaščitnih naprav za varno delovanje.
- Ne spreminjajte nastavev motorja in ne preseгаjte maksimalne zmogljivosti motorja. Delovanje motorja s cezmernimi obrati zvišuje tveganje za poškodbe oseb.
- Preden zapustite voziško mesto morate:
 - izključiti pogon za dvig in spuščanje priključkov;
 - prestavno ročico postaviti v prosti tek in zategniti rocno zavoro;
 - ugasniti motor in izvleci ključ za vžig.
- v naslednjih primerih izklopite pogon priključkov, ugasnite motor in prekinite vodnik električnega toka svečke ali izvlecite ključ za vžig:
 - pred zacetkom čiščenja zamašenih cevi, ali ko je potrebno odmašiti jašek za praznjenje košare za travo;
 - pred pregledom, čiščenjem ali posegom v kosilnico za travnik;
 - po trcenju ob kamen ali neznan predmet. (V takem primeru preglejte kosilnico, odpravite poškodbe in šele nato prižgite motor in vklopite pogon priključkov.)
 - ce stroj zacne neobicajno vibrirati (takoj poiščite možne vzroke).
- Izklopite pogon priključkov pred transportom oz. po koncanem delu.
- Ugasnite motor in izklopite pogon priključkov:
 - pred dolivanjem goriva;
 - pred odstranitvijo lovilca trave;
 - pred nastavitvijo višine košnje, razen ce je možno višino košnje nastavljati na voznikovem mestu.

IV. VZDRŽEVANJE IN SHRANJEVANJE

- Da zagotovite pravilno in varno delovanje opreme, morate Redno pregledovati zategnjenost vseh matic in vijakov.
- Opreme z bencinom v rezervoarju ne smete shranjevati v zaprtih prostorih, kjer obstaja možnost, da hlapi bencina pridejo v stik z odprtim ognjem.
- Dokler je motor kosilnice še vroc, je ne smete postaviti v zaprt prostor.
- Zmanjšajte nevarnost požara – očistite motor, izpušno cev, akumulatorski sklop, rezervoar za bencin in njegovo okolico. Našteti deli naj bodo vedno čisti in brez ostankov trave, listja in cezmerne maščobe.
- Redno pregledujte obrabo in poškodbe lovilca trave.
- Zaradi varnega delovanja stroja morate zamenjati obrabljene in poškodovane dele.
- Ce morate rezervoar kosilnice izprazniti s crpanjem goriva, tega ne pocnite v zaprtem prostoru.
- Pri pregledu strojev, ki imajo več rezil, bodite posebej previdni, ker vrtenje enega rezila lahko povzroči vrtenje vseh ostalih rezil.
- V primerih, ko je kosilnica parkirana, shranjena ali brez nadzora, spustite rezalnik oz. uporabite varovalno mehansko blokado.

 **OPOZORILO:** Pred nastavljanjem, transportom, preverjanjem in popravili morate odklopiti el. vodnik svečke in odmakniti el. priključek, da ne pride slučajno v stik s svečko in povzroči naključni vžig motorja.

A IDENTYFIKACJA CZĘŚCI

1. Pokrywa pojemnika
2. Dno pojemnika
3. Kanał górny
4. Kanał dolny
5. Pokrywa
6. Wskaźnik zapelnienia pojemnika
7. Zatrask kanału górnego
8. Zatraski kanału dolnego
10. Zespół wspornika

B ZESPÓŁ WSPORNIKA

- a. Traktor posiada zainstalowane cztery (4) śruby pasowane na tylnym sprzęgu, wystarczy zawiesić zespół wspornika na śrubach (1).
- b. Aby zdemontować zespół wspornika odciągnąć na zewnątrz uchwyt ograniczający (2) na tyle, aby umożliwić podniesienie i wyciągnięcie ze sprzęgu zespołu wspornika.

C MOCOWANIE ZESPOŁU POKRYWY (1) DO ZESPOŁU WSPORNIKA (2)

UWAGA: W celu ułatwienia montażu może być konieczne, w czasie mocowania zespołu pokrywy do traktora, uzyskanie pomocy od drugiej osoby.

- a. Ułożyć, w pokazany sposób, zespół pokrywy na ziemi, za traktorem.
- b. Podnieść i obrócić pokrywę w celu wyrównania krawędzi z zespołem wspornika.
- c. Przesunąć zespół pokrywy w dół na zespół wspornika.

D ZESPÓŁ POJEMNIKA

- a. Umieścić dolną połowę (1) w górnej połowie (2).
- b. Umieścić jedną stopę w dolnej połowie i dopasować górną połowę do dolnej.
- c. Docisnąć dokładnie obie połówki do siebie podnosząc górę tak, aby zablokować ją w pokazany sposób.

WAŻNE: PRZED ZABLOKOWANIEM ZACISKÓW (3), HAKOWATE KRAWĘDZIE OBU POŁÓWEK MUSZĄ ZACHODZIĆ NA SIEBIE TWORZĄC USZCZELNIENIE, JAK POKAZANO NA WKŁADCE.

- d. Powtórzyć dla pozostałych pojemników.

SPRAWDZENIE MONTAŻU: Ścisnąć boki dolnej połowy pojemnika i sprawdzić, czy nie ma szczeliny pomiędzy górną i dolną połową. Jeżeli pojawi się szczelina odblokować zatraski w celu rozdzielenia połówek pojemnika i powtórzyć powyższe czynności.

E MOCOWANIE POJEMNIKA

- a. Najpierw zamontować jeden pojemnik po lewej stronie (1). Drugi pojemnik zamontować po prawej stronie (2).

UWAGA: Na wsporniku centralnym (3), lewa krawędź prawego pojemnika zawsze powinna zachodzić na prawą krawędź lewego pojemnika.

- b. Zamknąć pokrywę i zablokować uchwyt zapadki (4) nad centralną rurą wsporczą (3).

F MOCOWANIE KANAŁU DOLNEGO

- a. Podnieść i przytrzymać w górnym położeniu osłonę deflektora (1).
- b. Szczelinę dolnego kanału umieścić nad występem (2) na podłodze kosiarki i ustawić kanał dolny nad otworem w podłodze, jak pokazano.
- c. Zaczepić dolny zatrask (3) w otworze kołnierza z tyłu podłogi kosiarki.
- d. Zaczepić przedni zatrask (4) w otworze występu z przodu podłogi kosiarki.

UWAGA: Nie demontować osłony deflektora (1) z kosiarki. Podnieść i przytrzymać osłonę w czasie montowania kanału i pozwolić jej w czasie pracy oprzeć się na kanale.

G KANAŁ GÓRNY

- a. Przesunąć kosiarkę do najniższego położenia koszenia.
- b. Zmontować kanał górny (1) wkładając zakrzywiony koniec do otworu z tyłu pokrywy (2).
- c. Naciskać i obracać górny kanał dopóki nie będzie w osi z kanałem dolnym (3).
- d. Wyrównać występy (4) na kanale dolnym ze szczelinami (4) na kanale górnym i zsunąć obie części.
- e. Zabezpieczyć gumowym zatraskiem (5) zaczepiając otwór na kołku zatrasku (6).

WSKAZÓWKI DLA POPRAWY WORKOWANIA:

Przestrzegać instrukcji obsługi kosiarki zawartej w instrukcji obsługi traktora. Upewnić się, że dla zapewnienia lepszej wydajności koszenia, kosiarka jest odpowiednio wyważona.

W czasie obsługi chwytacza trawy na trawniku, na którym nie był używany sprzęt do workowania trawy i liści zbierane są odpady i śmiecie, które nagromadziły się przez długi okres czasu. Zebrana ilość i całkowity czas pracy mogą być większe, niż w przypadku regularnego korzystania z łapacza trawy.

- W czasie workowania przepustnica powinna zawsze być ustawiona na pełną prędkość.
- Wybrać na tyle niskie przełożenie, które zapewni dobrą wydajność cięcia kosiarki, dobrą jakość koszenia i dobrą wydajność workowania.

PL UWAGA: Konieczne może być zachodzenie obszarów koszenia, w celu spełnienia wymagań.

- Jeżeli trawa jest wyjątkowo wysoka powinna być koszona dwukrotnie. Za pierwszym razem stosunkowo wysoko, za drugim razem na wymaganej wysokości.
- Do wyrównywania stosować lewą stronę kosiarki.
- W celu uproszczenia usuwania odpadów, do pojemnika łapacza trawy można wkładać plastikowe worki na śmiecie. Aby wyjąć pełny, plastikowy worek na śmiecie:
 - a. Wyłączyć łopatki, przełączyć bieg na jałowy, zaciągnąć hamulec postojowy i wyłączyć silnik.
 - b. Podnieść siedzenie. Odczepić i podnieść pokrywę.
 - c. Wyciągać pojemniki pojedynczo, chwytając je za uchwyty i pociągając do tyłu, ściągając z szyn rurowych.
 - d. Kiedy pojemnik stoi na ziemi zamknąć i zabezpieczyć górę plastikowego worka z trawą.
 - e. Pochylić pojemnik na bok i wyciągnąć napelniony worek z pojemnika.
 - f. Złożyć nowy worek plastikowy tak, aby jego krawędzie były wywiniete na górnej krawędzi pojemnika.
 - g. Powtórzyć dla pozostałych pojemników.
 - h. Zamontować ponownie pojemniki upewniając się, że prawy pojemnik zachodzi na lewy pojemnik na wsporniku centralnym.
 - j. Zamknąć pokrywę i zablokować zapadki nad centralną rurą wsporczą.
- Unikać koszenia mokrej trawy lub koszenia rano, kiedy jest duża wilgoć. Ścinki trawy zebrane w takich warunkach mają tendencję do zlepiania się i przylegania do ścianek drogi przepływu powodując zapchanie.
- Urządzenie do workowania wyposażone jest we wskaźnik zapelnienia worka. Przesunięcie koła zwiększa się wraz z napełnieniem worka. Koło będzie obracać się szybciej tuż przed całkowitym zapelnieniem worka. Kiedy koło zatrzyma się, wskazuje to, że worek jest pełny i doszło do zapchania kanałów.

UWAGA W celu pomocy w zapobieżeniu zapchaniu kanałów sprawdzić/opóźnić worki, kiedy koło obraca nieszybko. Doświadczenie wskaże, kiedy jest najlepszy moment na opróżnienie pojemnika.

- Należy zachować ostrożność, aby nie uszkodzić części oraz sprawdzić, czy na początku napełniania kaczego worka, koło obraca się swobodnie.
- Jeżeli łapacz trawy nie będzie łapał skoszonej trawy lub liści, wskazuje to na zapchanie układu lub całkowite zapelnienie pojemnika łapacza. Zwykle wskazuje na to zatrzymanie ruchu wskaźnika napełnienia worka.
 - a. Wyłączyć łopatki, przełączyć bieg na jałowy, zaciągnąć hamulec postojowy i wyłączyć silnik.
 - Podnieść siedzenie. Odczepić i podnieść pokrywę.
 - Ściągnąć pojemniki i wyrzucić śmiecie.
 - Zamontować pojemniki, zamknąć pokrywę i zahaczyć.
 - b. Odczepić kanały i sprawdzić pod kątem zapchania.
 - Usunąć wszystkie zanieczyszczenia z kanałów.
 - Zamontować ponownie i zatrzasnąć kanały.
 - c. Sprawdzić, czy wskaźnika napełnienia worka nie został zapchany.
 - Otwór do przechodzenia powietrza nie może być zanieczyszczony. Delikatnie wsunąć małą gałązkę lub drut do otworu, w celu oczyszczenia go.



UWAGA

- Nie uruchamiać kosiarki z częściowo zamontowanym łapaczem.
- Odłączyć łopatki i wyłączyć silnika przed opuszczeniem fotela traktora w celu opróżnienia pojemników, odblokowania kanałów itp.
- Przed włączeniem zamknąć pokrywę.
- Wyłączyć kosiarkę w czasie jazdy po drogach lub powierzchniach zwirowych lub innych obszarach, na których może występować zagrożenie wyrzuceniem przedmiotów.
- Nie próbować zasysać puszek lub innych przedmiotów grożących wyrzuceniem.

ZALECENIA OGÓLNE

Zawsze, w czasie wykonywania jakichkolwiek prac konserwacyjnych, przestrzegać zasad bezpieczeństwa.

- Przed każdym użyciem sprawdzić, czy nie ma luźnych elementów złącznych.
- Dokładnie oczyścić urządzenie po każdym użyciu.

KONSERWACJA ŁOPAT

W celu uzyskania najlepszych wyników łopaty kosiarki powinny być ostre. Wymienić wygięte lub uszkodzone łopaty.

- Przestrzegać instrukcji obsługi łopatek zawartej w instrukcji obsługi traktora.



UWAGA: PRZED WYKONANIEM JAKIEJKOLWIEK KONSERWACJI, SERWISOWANIA LUB REGULACJI:

- Całkowicie wcisnąć pedał sprzęgła i zaciągnąć hamulec postojowy.
- Przesunąć dźwignię przekładni/sterowania ruchem do neutralnego położenia (N).
- Ustawić dźwignię sprzęgła w położeniu „DISENGAGED”.
- Kluczyk zapłonu obrócić do położenia „OFF” (Wyłączone).
- Upewnić się, że łopatki i wszystkie części ruchome całkowicie zatrzymały się.
- Odłączyć przewód(y) świecy zapłonowej od świecy(y) i umieścić w położeniu, w którym nie będzie mógł zetknąć się ze świecą.



UWAGA: Elementy łapacza trawy podlegają zużyciu, uszkodzeniom i degradacji, które mogą spowodować odsłonięcie części ruchomych lub umożliwić wyrzucanie przedmiotów. Okresowo sprawdzać elementy i jeżeli konieczne, wymieniać na części zalecane przez producenta.

PRZECHOWYWANIE

Kiedy łapacz trawy ma być składowany przez pewien okres czasu, oczyścić go dokładnie, usunąć wszelkie zabrudzenia, trawę, liście itp. Urządzenie przechowywać w czystym i suchym miejscu.

UWAGA: Nie pozostawiać trawy w pojemniku maszyny do wrkowania. Opróżnić pojemnika po każdym użyciu i przed przechowywaniem. Niewykonanie tej czynności może spowodować samoczynny zapłon, który może doprowadzić do pożaru.

ZASADY BEZPIECZEŃSTWA

Zasady bezpiecznego użytkowania kosiarek samobieźnych

UWAGA: Kosiarka tego rodzaju jest w stanie odciąć rękę lub nogę. Może także wyrzucić twarde przedmioty z dużą prędkością. Nieprzestrzeganie niżej zamieszczonych zaleceń bezpiecznego użytkowania kosiarki może być powodem wypadku a w konsekwencji poważnego uszkodzenia ciała lub śmierci.

I. SZKOLENIE

- Należy uważnie przeczytać instrukcję, zaznajomić się z położeniem i działaniem wszystkich przyrządów sterowniczych i zasadami prawidłowego użytkowania kosiarki.
- Kosiarki nie mogą używać dzieci i osoby, które nie zaznaczyły się z instrukcją użytkowania. Lokalne przepisy mogą ograniczać dopuszczalny wiek operatora tego rodzaju kosiarki.
- Nie wolno używać kosiarki (kosić) jeżeli w pobliżu miejsca pracy znajdują się osoby postronne, w szczególności dzieci lub zwierzęta.
- Należy pamiętać, że operator bądź użytkownik kosiarki jest odpowiedzialny za wypadki i zagrożenia stwarzane osobom postronnym lub ich własności.
- Nie używać do transportowania osób.
- Wszyscy użytkownicy kosiarki (operatorzy) powinni stale doskonalić swoje umiejętności zawodowe, w tym odbywać szkolenia praktyczne. W trakcie szkoleń należy zwrócić szczególną uwagę na:
 - konieczność zachowania ostrożności i koncentracji w trakcie jazdy kosiarką samobieźną (jazdy na kosiarce);
 - sposoby pracy na pochyłych stokach (należy zwrócić uwagę na to, że poprzez naciśnięcie hamulca nie można odzyskać kontroli nad zeszliżującą się po stoku kosiarką samobieźną).

Najczęściej spotykanymi przyczynami utraty kontroli nad kosiarką (utrata równowagi lub ślizganie się) są:

- niedostateczna przyczepność kół do podłoża;
- zbyt duża prędkość jazdy;
- zbyt późne lub zbyt słabe hamowanie;
- zastosowanie kosiarki do prac, do których nie jest przystosowana;
- niewłaściwa ocena warunków terenowych, w szczególności pochylenia stoków;
- nieprawidłowe rozmieszczenie obciążeń (co powoduje utratę równowagi).

II. PRZYGOTOWANIE

- W celu zredukowania zagrożenia pożarem – przed użyciem, w czasie tankowania i na koniec każdego koszenia – skontrolować i usunąć wszelkie zanieczyszczenia zebrane na traktorze, kosiarce oraz pod wszystkimi osłonami.
- W trakcie koszenia należy nosić mocne obuwie i długie spodnie. Nie wolno używać kosiarki w sandałach lub bez butów.
- Przed rozpoczęciem pracy, należy dokładnie sprawdzić czy na przeznaczoną do koszenia powierzchnię (trawniku) nie ma przedmiotów, które mogą być wyrzucone przez kosiarkę. Wszystkie znalezione przedmioty należy usunąć.
- OSTRZEŻENIE** – Benzyna jest substancją łatwopalną i wybuchową.
 - Paliwo należy przechowywać wyłącznie w pojemnikach specjalnie przystosowanych do tego celu.
 - Paliwo należy uzupełniać wyłącznie poza zamkniętymi pomieszczeniami, w trakcie uzupełniania paliwa nie wolno palić papierosów.
 - Paliwo można uzupełniać wyłącznie wtedy gdy silnik kosiarki nie pracuje. Nie wolno zdejmować korka wlewu paliwa i uzupełniać paliwa gdy silnik pracuje lub gdy jest jeszcze gorący.
 - W przypadku rozlania paliwa nie wolno przystępować do uruchamiania silnika. Należy przemieścić kosiarkę w inne miejsce, oddalone od miejsca, w którym nastąpiło rozlanie paliwa. Należy odczekać do momentu, w którym opary paliwa ulegną całkowitemu rozproszeniu.
 - Należy starannie zamykać korki (lub zakrętki) wlewu paliwa i pojemników z paliwem.
- Należy wymieniać tłumiki w przypadku ich uszkodzenia.
- Przed rozpoczęciem pracy należy wzrokowo skontrolować stan techniczny noży tnących, śrub mocujących noże i całego przyrządu tnącego. Należy wymienić zużyte lub uszkodzone noże i śruby mocujące. Należy zawsze wymieniać cały komplet noży w celu zachowania wyważenia przyrządu tnącego.
- W kosiarkach wyposażonych w więcej niż jeden przyrząd tnący należy zachować ostrożność przy wykonywaniu ich kontroli, obracanie jednego przyrządu tnącego może spowodować, że pozostałe też zaczną się obracać.

III. UŻYTKOWANIE

- Nie wolno uruchamiać i użytkować kosiarki w zamkniętych pomieszczeniach, w takich warunkach może powstać wysokie stężenie trującego tlenku węgla.
- Kosić można tylko w trakcie dnia lub przy dobrym oświetleniu sztucznym.
- Przed przystąpieniem do uruchamiania silnika należy wyłączyć wszystkie sprzęgła w układzie napędowym przyrządu tnącego i przełączyć dźwignię zmiany biegów w położenie neutralne.
- Nie wolno używać kosiarki na stokach o pochyleniu większym niż 5°.



Należy pamiętać, że nie ma „bezpiecznych” stoków. Poruszanie się po stokach porośniętych trawą wymaga zachowania szczególnej uwagi. W celu zmniejszenia ryzyka przewrócenia się kosiarki należy przestrzegać następujących zasad:

- nie należy zatrzymywać się lub ruszać gwałtownie w przypadku poruszania się w dół lub w górę stoku;
 - sprzęgło należy włączać powoli, nie wolno przemieszczać dźwigni zmiany biegów w położenie neutralne, szczególnie w trakcie poruszania się w dół stoku;
 - należy zachować małą prędkość kosiarki w trakcie poruszania się po stokach i podczas pokonywania zakrętów o bardzo małym promieniu skrętu;
 - należy uważać, żeby nie najechać na pagórki i nie wjeżdżać w dolki, należy także mijać inne potencjalnie niebezpieczne miejsca;
 - Nie wolno poruszać się w poprzek stoku (wzdłuż warstwic), w poprzek stoku mogą poruszać się wyłącznie kosiarki konstrukcyjnie dostosowane do takiego sposobu pracy.
- Należy zachować szczególną ostrożność w trakcie ciągnięcia dodatkowych urządzeń lub używania ciężkiego dodatkowego wyposażenia.
- Do mocowania przyczepianych urządzeń można używać wyłącznie otworów w belce zaczepowej.
 - Należy ograniczać obciążenia kosiarki do takich wielkości, które nie ograniczają możliwości kierowania kosiarką.
 - Nie należy skręcać gwałtownie. Należy zachować szczególną ostrożność podczas jazdy do tyłu.
 - Należy używać przeciwcieżarów lub obciążników kół, w sytuacjach, które zostały opisane w instrukcji użytkowania.
- Należy zachować szczególną ostrożność podczas przejeżdżania przez drogi i w trakcie poruszania się w pobliżu dróg.
- Należy zatrzymać przyrządy tnące przed wjechaniem na podłoże inne niż trawa.
 - Nie wolno kierować wyrzucanego z kosiarki strumienia ściętej trawy w stronę osób postronnych, nie wolno także w trakcie koszenia dopuszczać do zbliżania się osób postronnych do kosiarki.
 - Nie wolno używać kosiarki z uszkodzonymi osłonami, ekranami odchylającymi lub bez urządzeń zapewniających bezpieczeństwo pracy.
 - Nie wolno zmieniać ustawień regulatora silnika i pracować przy dużej prędkości obrotowej. Praca silnika ze zbyt dużą prędkością obrotową zwiększa ryzyko wystąpienia awarii i zranienia operatora lub osób postronnych.
- Operator przed zejściem z kosiarki powinien:
- wyłączyć napęd wałka odbioru mocy i opuścić przyrząd tnący;
 - przenieść dźwignię zmiany biegów w położenie neutralne i wyłączyć hamulec postojowy;
 - wyłączyć silnik i wyjąć kluczyk ze stacyjki.
- W następujących sytuacjach należy wyłączyć napęd przyrządu tnącego, wyłączyć silnik i zdjąć przewód (lub przewody) wysokiego napięcia ze świecy zapłonowej oraz wyjąć kluczyk ze stacyjki:
- przed oczyszczaniem lub odblokowywaniem kanału wylotowego;
 - przed kontrolą, czyszczeniem, obsługą techniczną lub naprawą kosiarki;
 - po uderzeniu przyrządu tnącego w twarde przedmiot. Należy sprawdzić czy kosiarka nie uległa uszkodzeniu, przed ponownym uruchomieniem należy przeprowadzić niezbędne naprawy;
 - w przypadku gdy w trakcie pracy pojawiają się silne drgania (należy niezwłocznie przeprowadzić kontrolę stanu technicznego kosiarki).
- Należy odłączyć napęd przyrządu tnącego w przypadku transportowania kosiarki lub po zakończeniu użytkowania.
- W następujących sytuacjach należy wyłączyć silnik i wyłączyć napęd przyrządu tnącego:
- przed przystąpieniem do uzupełniania paliwa;
 - przed przystąpieniem do zdejmowania pojemnika na ściętą trawę;
 - przed przystąpieniem do regulacji wysokości koszenia, poza kosiarkami, w których operator może dokonać regulacji wysokości koszenia ze swojej pozycji roboczej (siedząc na kosiarce).
- Należy zmniejszyć prędkość obrotową silnika przed jego wyłączeniem, a jeżeli silnik jest wyposażony w zawór odcinający, należy odciąć dopływ paliwa do silnika po zakończeniu koszenia.

IV. OBSŁUGA TECHNICZNA I PRZECHOWYWANIE

- Należy sprawdzać czy prawidłowo są dokręcone wszystkie śruby i nakrętki; tylko wtedy kosiarka może bezpiecznie pracować.
- Nie wolno przechowywać kosiarki z paliwem w zbiorniku w pomieszczeniach, w których opary paliwa mogą zetknąć się otwartym płomieniem lub iskrami.
- Kosiarkę można umieszczać w zamkniętych opakowaniach lub pomieszczeniach dopiero po ostygnięciu silnika.
- W celu zmniejszenia ryzyka zapalenia się kosiarki należy oczyszczać silnik, tłumik, miejsce zamocowania akumulatora i zbiornik paliwa z pozostałości trawy, liści i nadmiaru smaru.
- Należy okresowo sprawdzać stan techniczny pojemnika na skoszoną trawę.
- Należy niezwłocznie wymieniać zużyte i uszkodzone części.
- Nie wolno spuszczać paliwa ze zbiornika w pomieszczeniach.
- W kosiarkach wyposażonych w więcej niż jeden przyrząd tnący należy zachować ostrożność przy wykonywaniu ich kontroli, obracanie jednego przyrządu tnącego może spowodować, że pozostałe też zaczną się obracać.
- W każdym przypadku, w którym kosiarka jest parkowana, przechowywana lub pozostawiona bez nadzoru, należy opuścić przyrząd tnący, czynności tej można zaniechać wyłącznie w kosiarkach wyposażonych w przymusową blokadę mechaniczną.

OSTRZEŻENIE: W trakcie regulacji, przewożenia, sprawdzania, obsługi technicznej lub naprawy, w celu uniknięcia ryzyka przypadkowego uruchomienia kosiarki, należy zdjąć ze świecy zapłonowej przewód wysokiego napięcia i umieścić go w takim miejscu aby nie mógł samoczynnie zetknąć się ze świecą.

A OZNAČENIE ČASTÍ

1. Vrchná časť zásobníka
2. Spodná časť zásobníka
3. Horná násypka
4. Spodný sklz
5. Kryt
6. Ukazovateľ plného vrečka
7. Uzáver hornej násypky
8. Uzavéry spodného sklzu
10. Zostava podpery

B ZOSTAVA PODPERY

- a. Váš traktor už má štyri (4) osadené skrutky namontované na zadnom oji. Jednoducho zaveste zostavu podpery na skrutky (1).
- b. Ak chcete vybrať zostavu podpery, dostatočne zatiahnite smerom von na blokovaciu konzolu (2), aby ste mohli podperu zdvihnúť a odňať z oja.

C MONTÁŽ KRYTU (1) NA ZOSTAVU PODPERY (2)

POZNÁMKA: Pre jednoduchšiu montáž krytu ku traktoru je potrebná pomoc ďalšej osoby.

- a. Umiestnite zostavu krytu na zem vedľa traktora tak, ako je to zobrazené.
- b. Zdvihnite a otočte kryt tak, aby ste ho zarovnali so zostavou podpery.
- c. Zasuňte zostavu krytu do podpery.

D MONTÁŽ ZÁSOBNÍKA

- a. Umiestnite spodnú polovicu (1) do hornej polovice (2).
- b. Umiestnite jednu pätku do vnútra spodnej polovice a zdvihnite hornú polovicu a zalúčite so spodnou polovicou.
- c. Stlačte polovice tesne spolu, pokiaľ zdvíhací kryt nezapadne na miesto tak, ako je to zobrazené.

UPOZORNENIE: PRED UZAMKNUTÍM DRŽIAKOV (3), HÁKOVÉ HRANY NA OBOCH POLOVICIACH MUSIA BYŤ PREKRYTÉ, ABY VYTVAROVALI TESNENIE TAK, AKO JE TO ZOBRAZENÉ V PRÍLOHE.

- d. Opakujte pri ďalších zásobníkoch.

KONTROLA MONTÁŽE: Stlačte strany spodnej polovice zásobníka a prekontrolujte, či nie je medzera medzi hornou a dolnou polovicou. Ak sa vyskytne medzera, odomknite držiaky a oddelte obe polovice. Zopakujte postup uvedený vyššie.

E MONTÁŽ ZÁSOBNÍKA

- a. Najprv namontujte jeden zásobník na ľavú stranu (1). Ďalší zásobník namontujte na pravú stranu (2).

POZNÁMKA: Ľavá hrana pravého zásobníka musí vždy presahovať pravú hranu ľavého zásobníka na strede podpery (3).

- b. Zatvorte kryt a uzamknite pákou (4) cez stred podpernej rúry (3)

F PRIPOJENIE SPODNÉHO SKLZU

- a. Zdvihnite a podržte kryt odchyľovača (1) vo vztýčenej polohe.
- b. Presuňte štrbinu v spodnom sklze cez držiak (2) a položte spodný sklz v otvore na plošine žacieho stroja tak, ako je to zobrazené.
- c. Zahákujte zadnú západku (3) do otvoru v prírubu na zadnej časti plošiny žacieho stroja.
- d. Zahákujte prednú západku (4) do otvoru na prednej strane plošiny žacieho stroja.

VAROVANIE: Neodnímajte kryt odchyľovača (1) zo žacieho stroja. Zdvihnite a držte kryt, keď pripájate spodný sklz a ponechajte ho, aby ležal na sklze pokiaľ je v činnosti.

G HORNÁ NÁSYPKA

- a. Spustite žací stroj do jej najspodnejšej rezacej polohy.
- b. Primontujte hornú násypku (1) vložением zahnutého konca do otvoru na zadnom kryte (2).
- c. Zatláčte a otočte hornú násypku pokiaľ nie je v rovne so spodným sklzom (3).
- d. Nastavte do osi výčnelky (4) na spodnom sklze s nastavovacími štrbinami (4) na hornej násypke a zosunite ich dohromady.
- e. Zabezpečte s gumenou západkou (5) zahákováním v otvore západkového čapu (6).

Typy na zlepšenie činnosti plnenia:

Dodržiujte prevádzkové pokyny vo vašej príručke ku traktoru.

Uistite sa, že žací stroj je vhodne vyrovnaná, aby podávala najlepší žací výkon.

Keď používate váš zberač trávy na trávniku, kde nebolo použité zariadenie na zber trávy a listia, zberáte trsy a úlomky, ktoré sa nahromadili za dlhšie časové obdobie. Množstvo zberacieho a celkového prevádzkového času môže byť väčšie, pokiaľ získate skúsenosti z pravidelného použitia vášho zberača trávy.



- Vždy spustite plyn na plné otáčky pri plnení.
- Zaradte nízky prevod dostatočný na to, aby bol dosiahnutý dobrý žací výkon, dobrá kvalita rezu a dobrý zberný výkon.

POZNÁMKA: Môže byť potrebné prekrytie šírky rezu, aby vyhovovala vašim podmienkam.

- Ak je tráva veľmi vysoká, môže sa kosiť na dvakrát. Prvý raz relatívne vysoko, druhý raz na požadovanú výšku.
- Používajte ľavú stranu žacieho stroja pre zarovnávanie
- Plastikové odpadkové vrečky môžu byť vložené do vnútra zásobníkov zberača trávy pre jednoduchšiu manipuláciu s odpadom. Pri odstraňovaní plastických odpadkových vrieciek keď sú plné :

- a. uvoľnite čepele, preraďte do neutrálu, zatiahnite parkovaciu brzdu a zastavte motor.
- b. Zdvihnite sedadlo. Odblokujte a zdvihnite kryt.
- c. Odnímate jeden zásobník naraz zovretím páčok zásobníka a potiahnutím smerom dozadu von z rúrových koľají.
- d. Položte zásobník na zem, zatvorte a zaistite vrch plastického vrečka.
- e. Nakloňte zásobník na stranu a vytiahnite naplnené vrečko zo zásobníka.
- f. Vložte nové plastické vrečko s okrajmi zavesenými cez horné okraje zásobníka.
- g. Opakujte činnosť pri ďalších zásobníkoch.
- h. Znovu namontujte zásobníky a uistite sa, že pravý zásobník prekrýva ľavý zásobník na strede podpier.
- i. Zatvorte kryt a zaistite západky cez stred rúr podpery.

- Vyhnite sa koseniu vlhkej trávy alebo koseniu zrúna kedy je ešte veľká vlhkosť. Odrezky trávy zberané za týchto podmienok vedú ku zlepeniu a priľnavosti ku stenám prietokového kanála, čo spôsobuje upchanie.

- Váš zberač je vybavený ukazovateľom plného vrečka. Pohyb kolesa sa zvyšuje podľa toho, ako sa vrečka plnia. Koleso sa bude otáčať najrýchlejšie vtedy, keď vrečka budú úplne naplnené. Keď sa koleso zastaví, indikuje to, že vrečka sú plné a sklzy sa môžu upchať.

POZNÁMKA: Aby sa zabránilo upchaniu sklzov, prekontrolujte/vyprázdňte vrečka keď sa koleso otáča rýchlo. Po získaní skúseností najlepšie poznáte, kedy je najvhodnejšie vyprázdniť vrečka.

- Musí sa venovať dostatočná pozornosť tomu, aby sa nepoškodili súčiastky a aby sa koleso otáčalo voľne pri každom začiatku používania.
- Ak zberač trávy nevhodne pracuje pri zberaní trávy alebo listov, je to znak upchania systému alebo úplného naplnenia zásobníkov. Obyčajne je toto naznačené zastavením pohybu ukazovateľa plného vrečka.

- a. Rozpojte čepele, preraďte do neutrálu zatiahnite parkovaciu brzdu a zastavte motor.
 - Zdvihnite sedadlo. Odblokujte a zdvihnite kryt.
 - Snímte zásobníky a odstráňte odrezky.
 - Vráťte naspäť zásobníky, zavrite kryt a zatvorte na závoru.
- b. Odblokujte sklzy a prekontrolujte na upchanie.
 - Odstráňte všetky odrezky zo sklzov.
 - Znovu primontujte a zaistite sklzy
- c. Skontrolujte, aby sa zabezpečilo, že ukazovateľ plného vrečka nebude upchaný.

Otvor priechodu vzduchu musí byť očistený od odrezkov. Aby ste vyčistili priechod jemne do neho vsuňte malú vetvičku alebo drôt.



VAROVANIE

- **Neprevádzkujte žací stroje čiastočne namontovaným zberačom trávy**
- **Odpojte čepele a zastavte motor pred uvoľnením sedadla traktora, aby sa vyprázdnil zásobník, dopchali sklzy, atď.**
- **Uzavrite kryt pred spustením**
- **Odpojte žací stroj keď prechádzate cez príjazdové cesty alebo štrkové povrchy a iné oblasti, kde by vhozené predmety mohli spôsobiť nebezpečenstvo.**
- **Nepokúšajte sa vysávať plechovky alebo iné potenciálne nebezpečné predmety.**

Základné odporúčania

Vždy dodržiavajte pravidlá bezpečnosti, keď prevádzkate údržbu.

- Pred každým použitím prekontrolujte, či nie sú uvoľnené spony.
- Vyčistite celé zariadenie po každom použití.

Starostlivosť o čepele

Pre najlepší výkon žacích čepelí musia byť tieto udržiavané ostré. Vymeňte ohnuté alebo poškodené čepele.

- Vid' pokyny pre Starostlivosť o čepele vo vašej užívateľskej príručke traktora.

⚠ Upozornenie: pred prevádzkaním akejkoľvek údržby, servisu alebo nastavení:

- Úplne stlačte spojku brzdového pedála a zaradíte parkovaciu brzdu.
- Zaradíte prevodový stupeň/ ovládaci páku pohybu do neutrálnej polohy (N)
- Zaradíte ovládaci spojku do polohy „DISENGAGED“ (Rozpojené)
- Otočíte zapalovacím kľúčom do polohy „OFF“ (Vypnuté)
- Ubezpečte sa, že čepele a všetky pohybujúce sa časti sú úplne zastavené.
- Odpojte káble zo sviečok a umiestnite ich tak, aby nemohli prísť do styku s nimi.

⚠ VAROVANIE: Komponenty zberača trávy sú predmetom opotrebovania, poškodenia a zničenia, ak by boli vystavené pohybujúcim sa časťami alebo ak by boli vhodene do nich predmety. Často kontrolujte komponenty a vymieňajte za výrobcom odporúčené diely, ak je to potrebné.

ULOŽENIE

Keď je zberač trávy uložený na určité časové obdobie, musí byť úplne vyčistený, musia byť odstránené všetky nečistoty, tráva, listy atď. Uložte ho na čisté a suché miesto.

⚠ VÝSTRAŽNÉ UPOZORNENIE: Nenechávajte trávu v zásobníkoch. Vyprázdňte zá-sobníky po každom použití a pred uložením. Porucha môže spôsobiť spontánne vznietenie, ktoré môže prerásť do požiaru.

BEZPEČNOSTNÉ PRAVIDLÁ

Pravidlá pre bezpečnú prevádzku pre pojazdné kosačky

DÔLEŽITÉ: Táto kosačka dokáže amputovať ruky a nohy s odhadzovať predmety. poliať nebudú dodržiavané nasledujúce bezpečnostné pravidlá, mohlo by dôjsť k vážnemu poraneniu alebo smrti.

I. ŠKOLENIE

- Prečítajte si pozorne tento návod. Zoznámte sa s kontrolou a správnym používaním zariadenia.
- Nikdy neumožnite používať kosačku na trávu deťom alebo ľuďom, ktorí neboli zoznámení s návodom. Miestne obmedzenia môžu obmedziť vek používateľa.
- Nepoužívajte tento stroj pokiaľ sú v blízkosti iné osoby, obzvlášť deti alebo zvieratá.
- Majte na pamäti, že obsluha alebo používateľ stroja je zodpovedný za nehody alebo nebezpečenstvo, spôsobené iným ľuďom alebo ich majetku. Nevozte iné osoby.
- Všetci používatelia by mali vyhľadať a získať profesionálne a praktické informácie. Tieto inštrukcie by mali klásť dôraz na:
 - potrebnú starostlivosť a sústredenie sa počas práce s pojazdnými strojmi;
 - ovládanie pojazdného stroja pri schádzaní zo svahu nebude dosiahnuť brzdením.

Hlavné dôvody straty kontroly nad strojom sú:

- a) nedostatočné držanie volantu;
- b) rýchla jazda;
- c) neadekvátne brzdenie;
- d) typ stroja je nevhodný pre danú činnosť;
- e) nevedenie si účinku podmienok na pozemku, obzvlášť na svahoch;
- f) nesprávne zapriahnutie a rozloženie váhy.

II. PRÍPRAVA

- Kvôli obmedzeniu rizika požiaru skontrolujte a odstráňte prípadný nahromadený odpad z traktora, žacieho stroja a spoza všetkých ochranných zariadení pre každým použitím pri dopĺňaní paliva a na konci každého žacieho cyklu.
- Počas kosenia noste vždy pevnú obuv a dlhé nohavice. Nepoužívajte zariadenie, keď ste bosí alebo máte obuté sandále.
- Poriadne skontrolujte pracovný priestor, v ktorom budete používať zariadenie a odstráňte všetky predmety, ktoré by mohli byť zariadením odmrštené.

VAROVANIE: Benzín je vysoko horľavá látka:

- Palivo skladujte v kanistroch špeciálne určených na tento účel;
- Palivo doplňajte len vonku a nefajčite pri tom;
- Palivo pridávajte pred štartovaním motora. Nikdy nesnímajte veko nádrže a nenalievajte benzín, keď je motor v prevádzke alebo keď je motor ešte horúci.
- Keď sa benzín rozleje, tak sa nikdy nepokúšajte naštartovať motor, ale odneste stroj z miesta, kde je rozliaty benzín a zabráňte zakladaniu ohňa, pokiaľ sa výpary benzínu nerozptýlia;
- Veká na palivovú nádrž a kanister nasadzujte bezpečne.
- Vymeňte chybné tlmiče.
- Pred použitím stroja vždy poriadne skontrolujte či nože, skrutky na nožoch a rezacie jednotky nie sú opotrebované alebo poškodené. Vymeňte opotrebované alebo poškodené nože a skrutky v sadách, aby ste zachovali rovnováhu.
- Pri strojoch, kde sa nachádza sada nožov, dbajte na to, že otočením jedného noža môžete spôsobiť otočenie ďalších nožov.



III. PREVÁDZKA

- Motor neštartujte v stiesnenom prostredí, kde by sa mohli zhromažďovať výpary kyslíčnika uhoľnatého.
- Pracujte len za denného svetla alebo pri dobrom umelom osvetlení.
- Prv než začnete štartovať motor, odpojte všetky spojky pripojení nožov a preradte na neutrál.
- Nepoužívajte stroj na svahoch strmších viac ako 5°.
- Pamätajte, že neexistuje nič také, ako je „bezpečný“ svah. Jazda na trávnatých svahoch vyžaduje zvláštnu starostlivosť. Aby ste sa chránili pred prevrátením:
 - Nezastavujte alebo sa náhle nerozbíhajte, keď idete smerom nadol alebo nahor po svahu;
 - Spojku púšťajte pomaly, vždy majte zaradenú rýchlosť, hlavne keď idete dole z kopca;
 - Na svahoch a pri ostróm otáčaní by ste mali udržiavať nízku rýchlosť stroja;
 - Dávajte pozor na hrby a diery a iné skryté nebezpečenstvá;
 - Nikdy nekoste naprieč svahom, pokiaľ na tento účel nie je stroj priamo konštruovaný.
- Buďte opatrní, keď ťaháte náklad alebo keď používate ťažké zariadenie.
 - Používajte len schválené diely ťažkej tyče.
 - náklad obmedzte len na taký, ktorý dokážete bezpečne ovládať.
 - Nerobte ostré zákruty. Dávajte pozor, keď cúvate.
 - Používajte protizávažie alebo zaťaženie kolies, keď to bude odporúčať návod tejto brožúry.
- Dávajte pozor na dopravu, keď predbiehate naprieč alebo v blízkosti cestných ťahov.
- Zastavte rotáciu nožov, predtým než budete prechádzať na iný povrch ako je tráva.
- Keď používate prívies, nikdy nevyprahajte materiál priamo proti okoloidúcim a nikomu nedovoľte, aby sa približoval ku stroju, keď je v prevádzke.
- Nikdy nepoužívajte kosačku s poškodenými krytmi, chráničmi alebo bez bezpečnostných zariadení na svojom mieste.
- Nemeňte nastavenia regulátora motora alebo neuvádzajte motor do príliš rýchleho chodu. Práca s motorom pri príliš veľkej rýchlosti môže zvýšiť nebezpečenstvo osobného zranenia.
- Pred opustením pracovnej polohy:
 - odpojte poháňací hriadeľ traktora a nástavec dajte do spodnej polohy;
 - zaradte neutrál a zatiahnite parkovaciu brzdu;
 - zastavte motor a vytiahnite kľúč.
- Odpojte pohon od nástavcov, vypnite motor a odpojte vedenie ku sviečke alebo vyberte kľúč zo zapalovania.
 - pred čistením upchatých otvorov a nelepivého sklzu;
 - pred kontrolou, čistením alebo prácou na kosačke;
 - po náraze do cudzieho predmetu. Skontrolujte kosačku, či nebola poškodená a vykonajte opravy, skôr než znovu naštartujete zariadenie a uvediete ho do prevádzky;
 - pokiaľ stroj začne abnormálne vibrovať (okamžite vykonajte kontrolu).
- Odpojte pohon od nástavcov, keď vykonávate prepravu alebo pokiaľ je stroj mimo prevádzky.
- Vypnite motor a odpojte pohon od nástavcov
 - pred doplnením paliva;
 - pred domontovaním lapača trávy;
 - pred vykonaním nastavenia výšky, pokiaľ sa toto nastavenie nedá vykonať z pozície obsluhy stroja.
- Keď vypínate motor, zatiahnite ventil motora a pokiaľ je stroj vybavený uzatváracím ventilom, po skončení vypnite prívod paliva.

IV. ÚDRŽBA A USKLADNENIE

- Všetky matice a skrutky udržiavajte starostlivo utiahnuté, aby ste zabezpečili podmienky pre bezpečnú prácu.
- Nikdy neskladujte benzínové zariadenie v budovách, kde by výpary mohli spôsobiť otvorený oheň alebo iskry.
- Prv než stroj uzavriete do miestnosti, nechte motor vychladnúť.
- Aby ste zamedzili nebezpečenstvu požiaru, odstráňte rastlinný materiál a prebytočný olej z oblasti motora, tlmiča, batérií a nádrže.
- Pravidelne kontrolujte lapač trávy, či nie je opotrebovaný alebo poškodený.
- Aby ste zabezpečili bezpečnosť vymeňte opotrebované a poškodené diely.
- Pokiaľ má byť nádrž vyprázdnená, malo by sa to vykonávať vonku.
- Pri strojoch, kde sa nachádza sada nožov, dbajte na to, že otočením jedného noža môžete spôsobiť otočenie ďalších nožov.
- Pokiaľ sa má stroj zaparkovať, uskladniť alebo ponechať bez dozoru, dajte rezaciu jednotku do dolnej polohy, keď nepoužijete mechanickú zámku.

⚠ VAROVANIE: Vždy odpojte vedenie ku sviečke a umiestnite drôt tak, aby nemohlo dôjsť ku kontaktu so sviečkou a tým sa predišlo náhodnému naštartovaniu, keď sa stroj nastavuje, preváža alebo opravuje.

A ALKATRÉSZEK MEGNEVEZÉSE

1. Tároló teteje
2. Tároló alja
3. Felső csúszda
4. Alsó csúszda
5. Fedél
6. Zsák megteltségének jelzője
7. Felső csúszda retesze
8. Alsó csúszda reteszei
10. Kitámasztó szerelvény

B KITÁMASZTÓ SZERELVÉNY

- a. A traktorra már fel van szerelve négy (4) vállas csapszeg a hátsó vonórúdon, egyszerűen akassza a kitámasztó szerelvényt e csapszegekre (1).
- b. A kitámasztó szerelvény eltávolításához húzza kifelé a megállítóbilincset (2) annyira, hogy a kitámasztó szerelvényt fel lehessen emelni és ki lehessen venni a vonórúdból.

C A FEDÉLSZERELVÉNY (1) A KITÁMASZTÓ SZERELVÉNYHEZ (2)

MEGJEGYZÉS: A könnyű összeszerelés érdekében ajánlott valaki más segítségét kérni a fedélszerelvény traktorra való felszereléséhez.

- a. Helyezze el a fedélszerelvényt a traktor mögött a talajon az ábrának megfelelően.
- b. Emelje meg és forgassa el a fedelet, hogy bilincse illeszkedjen a kitámasztó szerelvényhez.
- c. Csúsztassa le a fedélszerelvényt a kitámasztó szerelvényre.

D TÁROLÓSZERELVÉNY

- a. Helyezze az alsó felét (1) a felső felén belülre (2).
- b. Tegye egyik lábát az alsó félbe és emelje fel a felső felét, amíg nem találkozik az alsó felével.
- c. Nyomja össze a feleket erősen, miközben a felsőt az ábrának megfelelően megemeli, hogy helyére kerüljön.

FONTOS: A FÜLEK (3) RÖGZÍTÉSE ELŐTT, MINDKÉT FÉL KAMPÓS ÉLÉINEK ÁTFEDÉSBE KELL LENNIÜK, HOGY AZ ÁBRA SZERINTI ELRENDEZÉSBEN LEGYENEK.

- d. Végezze el ezt a többi tárolóval is.

AZ ÖSSZESZERELÉS ELLENŐRZÉSE: Csavarja meg a tároló alsó felének oldalait és ellenőrizze, hogy nincs-e hézag a felső és az alsó felek között. Ha hézagot vesz észre, nyissa ki a füleket, szedje szét a tároló feleit, majd végezze el ismét a fenti lépéseket.

E A TÁROLÓ FELSZERELÉSE

- a. Először szereljen fel egy tárolót a bal oldalon (1). A másik tárolót szerelje fel jobb oldalon (2).

MEGJEGYZÉS: A jobb oldali tároló bal élének mindig átfedésben kell lennie a bal oldali tároló jobb élével a középső támasztéknál (3).

- b. Cszukja be a fedelet és zárja le a retesz fogóját (4) a középső kitámasztó csőre (3).

F AZ ALSÓ CSÚSZDA RÖGZÍTÉSE

- a. Emelje meg a terelőpajzsot (1) és tartsa meg egyenesen.
- b. Igazítsa az alsó csúszda nyílását a fűnyíró fedelén található fülhöz (2) és helyezze az alsó csúszdát az ábrának megfelelően a fedél nyílása fölé.
- c. Akassza be a hátsó reteszt (3) a fűnyíró fedelének hátoldalán található lyukba.
- d. Akassza be az elülső reteszt (4) a fűnyíró fedelének elején található fül lyukába.

VIGYÁZAT: Ne távolítsa el a terelőpajzsot (1) a fűnyíróból. Emelje meg és tartsa úgy a pajzsot, miközben rögzíti az alsó csúszdát, és működés közben hagyja a csúszdán.

G FELSŐ CSÚSZDA

- a. Eressze le a fűnyíró legalacsonyabb vágási állásába.
- b. Szerelje össze a felső csúszdát (1): helyezze be a görbe végét a fedél hátoldalán található lyukba (2).
- c. Nyomja be és forgassa el a felső csúszdát, amíg egy vonalba nem kerül az alsó csúszdával (3).
- d. Igazítsa az alsó csúszdán található dudorokat (4) a felső csúszda igazító nyílásaihoz (4) és csúsztassa össze.
- e. Rögzítse gumirettessel (5): akassza be a retesz lyukát a retesz tujéba (6).



TIPPEK A ZSÁKOLÁS TÖKÉLETESÍTÉSÉHEZ:

Kövesse a fűnyíró kezelési utasításait a traktor kézikönyvében.

A legjobb teljesítmény érdekében gondoskodjon arról, hogy a fűnyíró megfelelően ki legyen egyenlítő.

Ha olyan gyepen használja a fűszedőt, ahol nem használtak fű- és levélzsákoló berendezést, akkor az idő során felgyülemlett szalmát és hulladékokat is felszedi. A begyűjtött mennyiség és a művelet összes ideje ilyenkor nagyobb lehet, mint a fűszedő szokásos használata esetén.

- Zsákoláskor mindig teljes gázt adjon.
- Válasszon elég alacsony sebességet ahhoz, hogy a fűnyíró jól vágjon, a vágás minősége jó legyen és a zsákolás is jól menjen.

MEGJEGYZÉS: Egyes körülmények mellett szükséges lehet a vágási hosszát átfedni.

- Ha a fű különlegesen hosszú, akkor kétszer kell nyírni. Először még viszonylag hosszúra, másodszer pedig a kívánt magasságra.
- Vágáshoz a fűnyíró bal oldalát használja.
- A hulladék könnyebb eltávolítása érdekében a fűnyíró tárolóiba műanyag szemeteszsákot lehet helyezni. A megtelt műanyag szemeteszsákok eltávolítása:
 - a. Kapcsolja ki a pengéket, váltson üresbe, kapcsolja be a parkolóféket és állítsa le a motort.
 - b. Emelje meg az ülést. Nyissa ki és emelje meg a fedelet.
 - c. Egyszerre egy tárolót vegyen ki: fogja meg a fogantyút és húzza a hátoldal felé, le a csövekről.
 - d. A tárolót a talajra helyezve csukja be és rögzítse a műanyag szemeteszsák tetejét.
 - e. Fordítsa oldalra a tárolót és csúsztassa ki belőle a teli zsákot.
 - f. Helyezzen be új műanyag zsákot. Széleit tűrje be a tároló felső éle mögé.
 - g. Ismétlje meg ezt a többi tárolóval.
 - h. Tegye vissza a tárolókat és győződjön meg arról, hogy a jobb és a bal oldali tároló a középső támasztékoknál átfedésben van.
 - j. Cszukja be a fedelet és rögzítse a reteszeket a középső támasztócsövekre.
- Ne vágjon nedves fűvet, illetve reggel, amikor még sok a harmat. Az ilyen körülmények között összegyűjtött levágott fű hajlamos arra, hogy összeragadjon és a járat falaihoz tapadjon, ami eltömődést okoz.
- A zsákolón található egy jelző, amely a zsák megtelttségét jelzi. A kerék mozgása megnő, ahogy a zsák megtelik. A kerék akkor forog a leggyorsabban, mielőtt a zsák teljesen megtelik. Amikor a kerék megáll, az azt jelzi, hogy a zsákok megteltek és a csúszdák eltömődtek.

MEGJEGYZÉS: A csúszdák eltömődése megakadályozásának érdekében ellenőrizze/űritse ki a zsákokat, amikor a kerék gyorsan forog. A gyakorlattal elsajátítható, mikor a legjobb kiüríteni a zsákokat.

- Ügyelni kell arra, hogy az alkatrészek ne károsodjanak, és hogy a kerék minden használat elején szabadon tudjon forogni.
- Ha a fűszedő nem tudja felszedni a levágott fűvet vagy a leveleket, az azt jelzi, hogy a rendszer eltömődött vagy a tárolók megteltek. Ezt általában a zsákok megteltsege jelzőjének megállása is mutatja.
 - a. Kapcsolja ki a pengéket, váltson üresbe, kapcsolja be a parkolóféket és állítsa le a motort.
 - Emelje meg az ülést. Reteszelve ki és emelje meg a fedelet.
 - Csúsztassa ki a tárolókat és távolítsa el a vágott fűvet.
 - Helyezze vissza a tárolókat, csukja be és reteszelve a fedelet.
 - b. Reteszelve ki a csúszdákat és ellenőrizze, nem tömődtek-e el.
 - Távolítson el a csúszdából minden hulladékot.
 - Szerelje össze és reteszelve a csúszdákat
 - c. Ellenőrizze, hogy a zsákok megteltségének jelzője nem tömődött-e el.
 - A légjárat lyukának hulladéktól mentesnek kell lennie. A tisztításhoz noman helyezzen egy ágat vagy drótot a lyukhoz.



- **Ne használja a fűnyíró, ha a fűszedő csak részben van beszerelve.**
- **Mielőtt a tárolók kiürítése, a csúszdák kitisztítása, stb. céljából elhagyja a traktor ülését, kapcsolja ki a pengéket és állítsa le a motort.**
- **Indítás előtt csukja be a fedelet.**
- **Kapcsolja ki a nyíró, amikor úton, kavicsos felületen vagy egyéb olyan területen halad át, ahol eldobott tárgyak okozhatnak veszélyt.**
- **Ne próbáljon konzervdobozokat és egyéb veszélyes hulladékokat felporszívózni.**

Általános ajánlások

Karbantartás során mindig tartsa be a biztonsági szabályokat.

- Minden használat előtt ellenőrizze, nem lazultak-e meg a rögzítőelemek.
- Minden használat után alaposan tisztítsa meg az egységet.

A PENGE ÁPOLÁSA

A legjobb eredmények érdekében a fűnyíró pengének mindig élesnek kell lenniük. Az elhajlott és sérült pengéket cserélje ki.

- Lásd a penge ápolásával kapcsolatos utasításokat a traktor kézikönyvében.

⚠ VIGYÁZAT: MINDEN KARBANTARTÁS, JAVÍTÁS ÉS BEÁLLÍTÁS ELVÉGZÉSE ELŐTT:

- Engedje fel teljesen a kuplung- és a fékpedált és állítsa be a parkolóféket.
- Tegye a sebességváltó/a mozgásszabályzó kart a semleges (N) állásba.
- Tegye a váltókapcsolót „DISENGAGED” állásba.
- Fordítsa a gyújtáskapcsolót „OFF” állásba.
- Győződjön meg arról, hogy a pengék és az összes mozgó alkatrész teljesen megállt.
- Húzza ki a gyújtógyertya/-ák drótját/-ait a gyújtógyertyá(k)ból és helyezze a drótot olyan helyre, ahol nem érintkezhet a gyertyával.

⚠ VIGYÁZAT: A fűszedő alkatrészei ki vannak téve a kopásnak, sérülésnek és elromlásnak. Gyakran ellenőrizze az alkatrészeket, és amikor szükségessé válik, cserélje le ezeket a gyártó által ajánlott alkatrészekkel.

Tárolás

Amikor a fűszedőt hosszabb ideig tárolja, tisztítsa meg alaposan, távolítsa el minden szennyeződést, fűvet, levelet, stb. Tárolja tiszta, száraz helyen.

⚠ VIGYÁZAT: Ne hagyjon fűvet a zsákoló tárolóiban. Minden használat után, tárolás előtt ürítse ki a tárolókat. Ha ezt nem teszi meg, spontán gyulladás jöhet létre, amely tűzzé fejlődhet.

BIZTONSÁGI ELŐÍRÁSOK

Biztonsági előírások a felülős fűnyírók üzemeltetéséhez

FONTOS: Ez a vágógép levághat kezet vagy lábat, és képes különböző tárgyak elhajítására. a biztonsági előírások be nem tartása komoly sérüléseket illetve halálos balesetet okozhat.

I. GYAKORLÁS

- Figyelmesen olvassuk el az utasításokat. Ismerjük meg a vezérlőket és a gép megfelelő használatát.
- Soha ne engedjük, hogy gyerekek vagy hozzá nem értő személyek használják a fűnyírót. A helyi törvények korlátozhatják a gép kezelőjének életkorát.
- Soha ne dolgozzon a géppel, ha a közelben emberek, különösen gyerekek vagy háziállatok tartózkodnak.
- Ne feledje, hogy a kezelő vagy használó felel minden olyan balesetért vagy sérülésért, mely más embereket vagy tulajdonaikat érinti.
- Ne szállítson utasokat.
- Minden vezetőnek ajánlatos elvégezni egy - a gép használatára vonatkozó - megfelelő képzést. Egy ilyen képzés alatt ki kell hangsúlyozni:
 - az óvatosság és a gyelem fontosságát, a gép használata közben;
 - ha a felülős fűnyíró gép elcsúszik a lejtőn, a gép feletti uralmat nem nyerjük vissza a fék használatával.

A gép feletti uralom elvesztésének fő okai a következők:

- a kormány nem eléggé határozott tartása;
- túl gyors hajtás;
- helytelen fékezés;
- a gép típusa nem felel meg a kijelölt feladatnak;
- a talajkörülmények gyelman kívül hagyása, különösen a lejtők;
- helytelen megakasztás és súlyelosztás.

II. ELŐKÉSZÜLETEK

- A tűzveszély kockázatának csökkentése érdekében – a használatot megelőzően, üzemanyag-betöltés közben és a fűnyírást követően – ellenőrizze és távolítsa el az összegyűlt hulladékot a vontatóról, a fűnyíróról, valamint és a borítóelemek mögül.
- Fűnyírás közben, mindig viseljen vastag lábbelit és hosszú nadrágot. Ne kaszáljon mezítárb vagy nyitott szandálban.
- Alaposan ellenőrizze a felületet, ahol a gépet használni fogja, és távolítsa el az olyan tárgyakat, amelyeket a gép kidobhat.
- **FIGYELMEZTETÉS** - Az üzemanyag rendkívül gyúlékony.
 - Az üzemanyagot speciálisan erre a célra gyártott tartályokban tárolja.
 - Kizárólag a szabadban tölts fel az üzemanyagtartályt és a művelet közben ne cigarettázzon.
 - Az üzemanyagot a gép elindítása előtt tölts be. Soha ne vegye le az üzemanyagtartály kupakját ill. ne töltsön benzint a gépbe, miközben a motor működik, vagy forró.
 - Ha a benzin kiömlik, ne próbálja elindítani a gépet, hanem vigye a gépet távol a kiömlött benzintől, és kerülje szikra létrehozását ill. a tűzgyújtást, amíg a gőzök elpárolognak.
 - Mindig biztonságosan csavarja vissza az üzemanyagtartályok kupakjait.
- Cserélje ki a hibás kipufogódobokat.
- Használat előtt mindig ellenőrizze, hogy a kések, a késcsavarok és a vágószerkezet nincsenek-e elkopva vagy megsérülve. Cserélje ki az elkopott vagy sérült pengéket és csavarokat egyszerre, hogy fenntartsa az egyensúlyt.
- Többpengés gépek esetén, legyen óvatos, mivel egy penge elfordításakor a többi penge is elfordulhat.



III. MŰKÖDTETÉS

- Ne működtesse a gépet zárt helyiségben, ahol a veszélyes szén-monoxid füst felgyűlhet
- Kizárólag nappali fényben vagy erős mesterséges fény mellett használja a gépet.
- A motor elindítása előtt, vegye le az összes penge tengelykapcsolóját és kapcsoljon semleges járatba.
- Ne használja a gépet 5°-nál nagyobb lejtésű területen.
- Ne feledje, hogy nem létezik „biztonságos” lejtő. A közlekedés fűves lejtőkön különös elővigyázatot igényel. A felborulás elkerülése érdekében tegye a következőket:
 - ne álljon meg vagy induljon el hirtelen, ha lefele vagy felfele halad;
 - a tengelykapcsolót lassan indítsa el, a gépet mindig tartsa sebességben, különösen ha lefele halad;
 - lejtőkön és nagyobb kanyarok esetén, a gép sebessége mindig legyen kicsi;
 - ügyeljen a zökkenőkre ill. a gödrökre vagy a rejtett veszélyekre;
 - soha ne nyírjon a lejtőn vízszintesen keresztül haladva, csak abban az esetben ha a fűnyíró erre a célra van tervezve.
- Ha terhet vontat vagy súlyos gépezetet használ, legyen különösen óvatos.
 - Kizárólag a vonórúd engedélyezett akasztópontjait használja.
 - A terhet mindig korlátozza arra a méretre, amelyet még biztonságosan kezelhet.
 - Ne vegyen hirtelen kanyarokat. Hátramenet közben legyen óvatos.
 - Ha a gépkönyv előírja, használjon ellensúlyokat vagy kerék súlyokat.
- Utak keresztezése esetén, ügyeljen a forgalomra.
- Amikor nem fűves felületen halad át, állítsa le a pengék forgását.
- Ha bármit csatlakoztat, ne irányítsa a kidobódó anyagot a közelben állók felé, és ne engedjen senkit a gép közelébe, ha ez működik.
- Soha ne működtesse a fűnyírót ha hibás a védőlemez, rács ill. ha a védőeszközök nincsenek a helyükön.
- Ne módosítsa a motor szabályozó berendezésének beállításait ill. ne gyorsítsa túl a motort. Ha a motort túl nagy sebességen működik, megnő a személyes baleset veszélye.
- A kezelői pozíció elhagyása előtt:
 - kapcsolja ki az emelőszerkezetet és engedje le a csatlakoztatott eszközöket;
 - váltson semleges módba és húzza be a parkoló féket;
 - állítsa le a motort és vegye ki a kulcsot.
- Kapcsolja ki a csatlakoztatott eszközök meghajtását, állítsa le a motort és válassza le a gyújtógyertya vezetéket vagy vegye ki az indítókulcsot
 - az elzáródások ill. a kidobó tisztítása előtt;
 - a fűnyíró ellenőrzése, tisztítása ill. szerelése előtt;
 - miután nekiütődött egy idegen tárgynak; Ellenőrizze a fűnyíró sérüléseit és a beindítás előtt végezze el a szükséges javításokat;
 - ha a gép a normálistól eltérően kezd rezegni (azonnal ellenőrizze).
- Szállításkor vagy ha nem használja őket, válassza le a csatlakoztatott eszközöket.
- Állítsa le a motort és állítsa le a csatlakoztatott eszközök meghajtását
 - üzemanyag betöltése előtt;
 - a fűfogó eltávolítás előtt;
 - a magasság beállítása előtt, kivéve ha a beállítás elvégezhető a kezelő helyéről.
- Csökkentse a gázzabályzó kar beállítását a motor leállításakor, és ha a motor rendelkezik elzárószelleppel, a kaszálás végeztével zárja el az üzemanyagot.

⚠ FIGYELMEZTETÉS: Mindig válassza le a gyújtógyertya vezetéket, és helyezze a vezetéket olyan helyre, ahol nem érhet szikrához, hogy megelőzze a balesetszerű beindítást szállítás, beállítások végzése vagy javítás közben.

A УКАЗАТЕЛЬ ОСНОВНЫХ ЧАСТЕЙ

1. Верх контейнера
2. Низ контейнера
3. Верхний жёлоб
4. Нижний жёлоб
5. Крышка
6. Индикатор заполнения мешка
7. Зажим верхнего жёлоба
8. Зажимы нижнего жёлоба
10. Узел крепления

B УЗЕЛ КРЕПЛЕНИЯ

- a. На вашем тракторе имеются 4 (четыре) болта с буртиком, установленные на задней части сцепного устройства; просто навесьте узел крепления на болты (1).
- b. Чтобы снять узел крепления, потяните стопорную скобу (2) настолько, чтобы поднять узел крепления и снять его с прицепного устройства.

C ПРИСОЕДИНЕНИЕ КРЫШКИ (1) К УЗЛУ КРЕПЛЕНИЯ (2)

ВНИМАНИЕ: Для облегчения операции вам может потребоваться помощь при установке крышки на трактор.

- a. Установите узел крышки на землю позади трактора, как показано.
- b. Поднимите и поверните крышку, совместив её кронштейн с узлом крепления.
- c. Плавню опустите узел крышки на узел крепления.

D УЗЕЛ КОНТЕЙНЕРА

- a. Вставьте нижнюю половину (1) в верхнюю (2).
- b. Станьте одной ногой в нижнюю половину и поднимите верхнюю половину, чтобы совместить её с нижней.
- c. Плотно сожмите половины, поднимая верхнюю, так, чтобы зафиксировать их, как показано.

ЭТО ВАЖНО: ПРЕЖДЕ ЧЕМ ЗАЩЕЛКНУТЬ ПЛАНКИ (3), НЕОБХОДИМО, ЧТОБЫ ОТОГНУТЫЕ КРОМКИ ОБЕИХ ПОЛОВИН СТАЛИ ВНХЛЁСТ, ОБРАЗУЯ СОЕДИНЕНИЕ, КАК ПОКАЗАНО НА ВКЛАДКЕ.

- d. повторите операцию на других контейнерах.

ПРОВЕРКА СБОРКИ: Сожмите боковины нижней половины контейнера и удостоверьтесь, что между верхней и нижней половинами нет зазора. Если же зазор имеется, отстегните запорные планки, чтобы разделить половины контейнера, и повторите описанную операцию.

E УСТАНОВКА КОНТЕЙНЕРОВ

- a. Сначала установите один контейнер с левой стороны (1). Установите другой контейнер с правой стороны (2).

ВНИМАНИЕ: Левая кромка правого контейнера должна всегда перекрывать правую кромку левого контейнера у центрального крепления (3).

- b. Закройте крышку и защёлкните ручку фиксатора (4) за трубку центрального крепления (3).

F ПРИСОЕДИНЕНИЕ НИЖНЕГО ЖЁЛОБА

- a. Поднимите и удерживайте направляющий щиток (1) в правом верхнем положении.
- b. Введите выступ (2) на корпусе косилки в паз нижнего жёлоба и установите нижний жёлоб над отверстием в корпусе, как показано.
- c. Заведите задний фиксатор (3) в отверстие углового фланца на задней стороне корпуса косилки.
- d. Заведите передний фиксатор (4) в отверстие углового фланца на передней стороне корпуса косилки.

ОСТОРОЖНО: Не снимайте направляющий щиток (1) с косилки. Поднимите и удерживайте щиток во время присоединения нижнего жёлоба; можете положить его на жёлоб при выполнении операции.

G ВЕРХНИЙ ЖЁЛОБ

- a. Опустите косилку в её нижнее рабочее положение.
- b. Соберите верхний жёлоб (1), вставив изогнутый конец в отверстие задней поверхности крышки (2).
- c. Протолкните и поверните верхний жёлоб, чтобы совместить его по оси с нижним жёлобом (3).
- d. Совместите выступы (4) на нижнем жёлобе с установочными пазами (4) на верхнем жёлобе.
- e. Зафиксируйте резиновым фиксатором (5), введя штифт (6) в отверстие фиксатора.



СОВЕТЫ ПО УЛУЧШЕНИЮ СБОРА ТРАВЫ:

Следуйте инструкциям по скашиванию, изложенным в руководстве для владельца трактора.

Удостоверьтесь, что косилка установлена на уровень, обеспечивающий максимальную эффективность скашивания. Эксплуатируя ваш травособиратель на газоне, где не использовалось оборудование для сбора травы и листьев, вы захватываете солому и мусор, накопившиеся за долгое время. Собранное количество и общее время выполнения работы могут оказаться значительнее, чем при условии регулярного применения травособирателя.

- При сборе травы всегда работайте на полном газу.
- Выбирайте передачу, достаточно низкую для хорошей производительного и качественного скашивания и для высокоэффективного травосбора.

ВНИМАНИЕ: Возможно, возникнет необходимость скашивания с перекрытием для обеспечения ваших требований к качеству.

- Если трава слишком высокая, её следует косить в два приёма. Сначала устанавливается относительно высокий уровень скашивания, второй проход выполняется до требуемой высоты травы.
- Для стрижки используйте левую сторону косилки.
- Для удобного удаления мусора, внутрь контейнеров травособирателя можно вставить пластиковые мешки для мусора. Для удаления заполненных мешков для мусора:
 - a. Отключите ножи, включите нейтральную передачу, установите стояночный тормоз и заглушите двигатель.
 - b. Поднимите сиденье. Отоприте и поднимите крышку.
 - c. Снимите один контейнер, ухватив его за ручки и потянув назад с трубчатых направляющих.
 - d. Поставив контейнер на землю, надёжно закройте пластиковый мешок.
 - e. Наклонив контейнер, выньте из него заполненный мешок.
 - f. Поставьте новый пластиковый мешок, завернув его края за верхние кромки контейнера.
 - g. Повторите эти операции с другими контейнерами.
 - h. Снова установите контейнеры, обращая внимание на то, чтобы правый контейнер перекрывал левый у центрального крепления.
 - j. Закройте крышку и защёлкните фиксатор за трубку центрального крепления.
- Избегайте косить мокрую траву или утром по густой росе. В этом случае скошенная трава делается липкой, налипает на стенки агрегата и засоряет его.
- Ваш травосборный агрегат снабжён индикатором заполнения. Скорость вращения колеса возрастает по мере заполнения мешков. Максимальной скорости вращения достигает непосредственно перед максимальным заполнением. Остановка колеса указывает на то, что мешки заполнены, а желоба забиты.

ВНИМАНИЕ: Чтобы предотвратить забивание желобов, осмотрите/опорожните мешки, когда скорость вращения колеса возрастёт. С опытом вы научитесь определять оптимальный момент опорожнения мешков.

- Будьте осторожны, чтобы не допустить повреждения частей агрегата, а также свободного вращения колеса в начале каждой операции.
- Если травособиратель не собирает скошенную траву или листья. Это указывает на то, что произошло забивание системы, или контейнеры полны. Обычно на это указывает полная остановка индикатора заполнения.
 - a. Отключите ножи, включите нейтральную передачу, установите стояночный тормоз и заглушите двигатель.
 - Поднимите сиденье. Отоприте и поднимите крышку.
 - Освободите контейнеры от зажимов.
 - Замените контейнеры, закройте и зафиксируйте крышку.
 - b. Отстегните желоба и проверьте, не забиты ли они.
 - Удалите мусор из желобов.
 - Снова соедините и закрепите желоба.
 - c. Удостоверьтесь, что индикатор заполнения не забит.
 - Отверстие для доступа воздуха должно быть свободным от мусора. Осторожно очистите воздушный канал прутиком или проволокой.

ОСТОРОЖНО:

- Не эксплуатируйте косилку с частично установленным травособирателем.
- Отключите ножи и заглушите двигатель перед опорожнением контейнеров, чисткой желобов и пр.
- Перед началом работы закройте крышку.
- Передвигаясь по проезжей части или по площадкам, покрытым гравием, отключайте косилку, чтобы исключить попадание в агрегат посторонних предметов.
- Избегайте попадания в агрегат баллончиков с остаточным давлением и других опасных предметов.

ОБЩИЕ РЕКОМЕНДАЦИИ

При техническом обслуживании всегда соблюдайте правила техники безопасности.

- Перед каждым использованием проверяйте надёжность затяжки всех креплений.
- Тщательно очищайте агрегат по окончании работы.

УХОД ЗА НОЖАМИ

Для большей эффективности работы ножи косилки должны быть острыми. Изогнутые или повреждённые ножи необходимо заменить.

- Ознакомьтесь с инструкцией по уходу за ножами в руководстве для владельца трактора.

⚠ ОСТОРОЖНО: ПЕРЕД ПРОИЗВОДСТВОМ ТЕХНИЧЕСКОГО ОБСЛУЖИВАНИЯ ИЛИ РЕГУЛИРОВОК:

- Полностью выжмите педаль тормоза сцепления и установите стояночный тормоз в рабочее положение.
- Установите рычаг переключения передач/ходов в нейтральное (N) положение.
- Установите управление сцеплением в положение "DISENGAGED" («ОТКЛЮЧЕНО»).
- Поверните ключ зажигания в положение "OFF" («Выключено»).
- Удостоверьтесь, что ножи и все движущиеся части полностью неподвижны.
- Снимите провод(а) зажигания со свечи (ей) и разместите его (их) так, чтобы исключить его(их) контакт со свечой(свечами).

⚠ ОСТОРОЖНО: Детали травосборителя подвержены износу, повреждениям и разрушению. Регулярно осматривайте детали и при необходимости заменяйте их на рекомендованные изготовителем.

ХРАНЕНИЕ

При оставлении травосборителя на долговременное хранение его необходимо тщательно вычистить, удалив грязь, траву, листья и т.п. Хранить в чистом, сухом месте.

⚠ ОСТОРОЖНО: Не оставляйте траву в контейнерах травосборителя. Опорожняйте контейнеры после каждого использования и перед хранением. Пренебрежение этим требованием может привести к самовозгоранию и пожару.

ПРАВИЛА ТЕХНИКИ БЕЗОПАСНОСТИ

Инструкции по технике безопасности для тракторов-газонокосилок

ВАЖНО: ЭТО РЕЖУЩЕЕ УСТРОЙСТВО МОЖЕТ ПРИВЕСТИ К АМПУТАЦИИ ВЕРХНИХ И НИЖНИХ КОНЕЧНОСТЕЙ И ВЫБРОСУ ПРЕДМЕТОВ НА РАССТОЯНИЕ. НЕСОБЛЮЖДЕНИЕ СЛЕДУЮЩИХ ИНСТРУКЦИЙ ПО ТЕХНИКЕ БЕЗОПАСНОСТИ МОЖЕТ ПРИВЕСТИ К СЕРЬЕЗНЫМ ТЕЛЕСНЫМ ПОВРЕЖДЕНИЯМ ИЛИ СМЕРТИ.

I. ОБУЧЕНИЕ

- Внимательно прочитайте инструкции. Вы должны ознакомиться с органами управления и иметь представление о надлежащем использовании оборудования.
 - Никогда не разрешайте использовать машину детям и лицам, которые не ознакомлены с инструкциями. Законодательство страны может ограничить возраст пользователя.
 - Никогда не работайте с машиной, если рядом находятся посторонние лица, особенно дети и домашние животные.
 - Помните, что владелец или пользователь машины несет ответственность за ущерб, нанесенный третьим лицам или их имуществу.
 - Запрещается возить пассажиров.
 - Все водители должны пройти профессиональное и практическое обучение. Это обучение должно в особой мере акцентировать внимание на том, что:
 - при вождении трактора необходимо соблюдать осторожность и сосредоточенность;
 - при скольжении со склона тормоза не помогут восстановить управление трактором.
- Основные причины потери управления:
- a) недостаточно крепкий захват руля;
 - b) вождение на слишком высокой скорости;
 - c) неправильное торможение;
 - d) тип машины не предназначен для решения конкретной задачи;
 - e) недостаточное представление об особенностях вождения на пересеченной местности, особенно на склонах.
 - f) неправильное присоединение навесного приспособления или распределение нагрузки.

II. ПОДГОТОВКА

- Чтобы снизить риск пожара, перед каждым использованием, во время заправки и в конце каждого покоса осматривайте и снимайте скопившиеся на тракторе, косилке и на всех защитных приспособлениях мусор и грязь.
- При кошении всегда одевайте прочную обувь и длинные брюки. Нельзя работать с оборудованием босиком или в открытых сандалиях.
- Тщательно проверьте участок работы и удалите все предметы, которые могут быть отброшены машиной на расстояние.
- **ОСТОРОЖНО:** Бензин – это легковоспламеняющаяся жидкость:
 - храните топливо в специально предназначенных для этой цели емкостях.
 - заправляйте топливо только на открытом воздухе и не курите при заправке.
 - заливайте топливо при выключенном двигателе. Нельзя снимать крышку топливного бака и заливать топливо при работающем или при горячем двигателе.
 - в случае пролития бензина не запускайте двигатель: удалите машину с места пролития бензина и избегайте образования каких-либо источников воспламенения до тех пор, пока пары бензина не рассеются.
 - прочно закрутите пробки всех топливных баков и емкостей.
- Замените неисправные глушители.
- Каждый раз перед использованием проводите визуальную проверку оборудования на предмет повреждений. Заменяйте изношенные или поврежденные ножи и болты парно в целях сохранения баланса.
- Если машина оснащена несколькими ножами, будьте осторожны, т.к. вращение одного ножа может вызвать вращение других ножей.



III. ЭКСПЛУАТАЦИЯ

- Не включайте двигатель в закрытом помещении, где возможно скопление опасного угарного газа.
 - Работайте только при дневном свете или при хорошем искусственном освещении.
 - Перед запуском двигателя отключите сцепление всех ножевых навесных приспособлений и переключите передачу в нейтральное положение.
 - Не используйте на склонах крутизной, превышающей 5°.
 - Помните, что "безопасных" склонов не существует. Перемещение по травяным склонам требует особого внимания. Чтобы избежать переворачивания:
 - избегайте резких стартов и остановок при перемещении вверх или вниз по склону;
 - подключайте сцепление медленно, не перемещайтесь на холостом ходу, особенно, при движении вниз;
 - проходите склоны и крутые повороты на низкой скорости;
 - будьте внимательны к буграм, впадинам и другим скрытым препятствиям;
 - никогда не косите поперек поверхности склона, если косилка для этого не предназначена.
 - Соблюдайте осторожность при перевозке грузов или использовании тяжелого оборудования.
 - Используйте только разрешенные точки сцепки
 - Ограничьте грузы только теми, которые вы можете безопасно контролировать.
 - Не поворачивайте резко. Соблюдайте осторожность при изменении направления движения.
 - Используйте противовес(ы) или колесную нагрузку в тех случаях, когда это рекомендуется в руководстве по эксплуатации.
 - Следите за движением транспорта при работе вблизи дороги или при пересечении дороги.
 - Остановите вращение ножей при пересечении поверхности без травяного покрова.
 - При использовании любых приспособлений никогда не направляйте выброс материалов в сторону людей и не позволяйте кому-либо находиться вблизи работающей машины.
 - Никогда не эксплуатируйте газонокосилку с неисправными защитными ограждениями, щитками или со снятыми защитными приспособлениями.
 - Не изменяйте настройки регулятора хода двигателя, не работайте в режиме повышенных оборотов. Работа двигателя на чрезмерно высокой скорости повышает опасность получения травм.
 - Перед тем, как покинуть рабочее место оператора:
 - отключите отбор мощности и опустите навесные приспособления;
 - переключите передачу в нейтральное положение и подключите стояночный тормоз;
 - остановите двигатель и уберите ключ.
 - Отключите навесные приспособлений от привода, остановите двигатель и отсоедините провод(а) свечи зажигания или уберите ключ зажигания:
 - перед удалением закуртки или прочисткой желоба;
 - перед проверкой, чисткой или обслуживанием газонокосилки;
 - после соударения с посторонними предметами. Проверьте газонокосилку на предмет повреждений и проведите ремонт перед тем, как запускать и эксплуатировать оборудование;
 - если машина начинает необычно вибрировать (проверьте немедленно).
 - Отключите навесные приспособлений от привода при транспортировке или, когда они не используются.
 - Остановите двигатель и отключите навесные приспособлений от привода
 - перед заправкой;
 - перед снятием травосборника;
 - Перед проведением регулировки высоты, если регулировка не выполняется оператором с его рабочего места.
 - При выключении двигателя необходимо уменьшить регулировку дросселя и, если двигатель оснащен отсечным клапаном, выключить подачу топлива по завершению работы
- ### **IV. ТЕХОБСЛУЖИВАНИЕ И ХРАНЕНИЕ**
- Для обеспечения безопасных условий работы все гайки, болты и винты должны быть надежно затянуты.
 - Запрещается хранить оборудование с бензином в баке в помещении, где газы могут достичь открытого пламени или искр.
 - Дождитесь охлаждения двигателя перед хранением в любом закрытом помещении.
 - Чтобы снизить риск возгорания, двигатель, глушитель, батарейный отсек и место хранения бензина должны быть чистыми от травы, листьев и излишнего количества смазочных материалов.
 - Часто проверяйте травосборник на предмет износа или повреждений.
 - В целях обеспечения безопасности проводите замену изношенных или поврежденных частей.
 - Если необходимо слить топливо из топливного бака, проводите эту операцию на открытом воздухе.
 - Если машина оснащена несколькими ножами, будьте осторожны, т.к. вращение одного ножа может вызвать вращение других.
 - При парковке машины, хранения или, если она остается без присмотра, опустите режущие приспособления, если не используется принудительный механический запор.
- ⚠ ПРЕДУПРЕЖДЕНИЕ:** Всегда отсоединяете провод свечи зажигания и помещайте его в месте, где он не может прийти в контакт со свечей зажигания, во избежание самопроизвольного запуска при настройке, транспортировке, регулировке или ремонте.

A OSADE LOEND

1. Mahuti ülemine osa
2. Mahuti alumine osa
3. Ülemine toru
4. Alumine toru
5. Kate
6. Täiskoti indikaator
7. Ülemise toru kinnitusklamber
8. Alumise toru kinnitusklamber
10. Tugistruktuur

B TUGISTRUKTUUR

- a. Tere traktori tagumisel veolatil on olemas neli (4) hammaspolti; riputage tugistruktuur lihtsalt poltidele (1).
- b. Tugistruktuuri eemaldamiseks tõmmake tõkestikronsteini (2) nii palju väljapoole, kuni tugistruktuuri saab tõsta ja veolatil eemaldada.

C TUGISTRUKTUURI (2) KATTEKOMPLEKT (1)

MÄRKUS: Lihtsamaks ühendamiseks oleks vaja teise inimese abi, et kattekomplekti traktorile paigaldada.

- a. Paigutage kattekomplekt traktori taha maapinnale nagu pildil näidatud.
- b. Tõste katet ja pöörake seda, et paigutada kattetoend tugistruktuuriga kohakuti.
- c. Libistage kattekomplekt tugistruktuurile.

D MAHUTIBLOKK

- a. Paigutage alumine pool (1) ülemise poole (2) sisse.
- b. Asetage üks jalg alumise poole ja tõstke ülemist poolt, et seda alumise poolega kokku viia.
- c. Suruge poole tugevasti kokku, samal ajal ülemist poolt tõstes, et seda paigale kinnitada vastavalt joonisel näidatule.

OLULINE! ENNE KINNITUSPLAATIDE (3) LUKUSTAMIST PEAVAD MÕLEMA POOLE KONKSUDEGA OTSAD TIHENDUSE MOODUSTAMISEKS KATTUMA NAGU PILDIL NÄIDATUD.

- d. Korra sama teiste mahutitega.

BLOKIKONTROLLIMINE: Pigistage mahuti alumise poole külgi ja kontrollige, ega ülemiste ja alumiste poolte vahel pole vahe ruumi. Kui on, võtke kinnitusplaadid lahti, eraldage mahuti pooled ja korra üllkirjeldatud juhiseid.

E MAHUTI PAIGALDAMINE

- a. Esiteks paigaldage üks mahuti vasakule poole (1). Paigaldage teine mahuti paremale küljele (2).

MÄRKUS: Parempoolse mahuti vasakpoolne serv peab alati katma vasakpoolse mahuti parempoolset serva kesktoe juures (3).

- b. Sulgege kate ja lukustage ksaatori käepide (4) keskmisele tugitorule (3).

F KINNITAGE ALUMINE TORU

- a. Tõstke de ektorikate (1) üles ja hoidke seda püstises asendis.
- b. Paigutage alumises torus olev soon (2) niidukikatte tripi kohale ja asetage alumine toru katteavale nagu joonisel näidatud.
- c. Kinnitage tagumine kinnitusklamber (3) niidukikatte taga olevasse toruääriku avasse.
- d. Kinnitage eesmine kinnitusklamber (4) niidukikatte ees olevasse kinnitusplaadi avasse.

ETTEVAATUST! Ärge eemaldage niidukilt de ektorikate (1). Tõstke kate üles ja hoidke seda, kui kinnitate alumist toru ning laske töötamise ajal kattel toru peale toetuda.

G ÜLEMINE TORU

- a. Laske niiduk selle madalaimasse lõikamisasendisse.
- b. Paigaldage ülemine toru (1), sisestades selle kumera otsa katte taga olevasse avasse (2).
- c. Suruge ja pöörake ülemist toru sisse, kuni see on alumise toruga (3) ühel joonel.
- d. Paigutage alumisel torul olevad mõhnad (4) kohakuti ülemisel torul olevate joondussoontega (4) ja libistage torud kokku.
- e. Kinnitage kummist kinnitusklambri (5), haakides kinniti üle kinnititihvti (6).



NÕUANDED PAREMAKS ROHUKOGUMISEKS:

Järgige traktori kasutusjuhendis kirjeldatud niidukiga töötamise juhiseid.

Niiduki parima jõudluse tagamiseks veenduge, et niiduk on õigesti tasakaalustatud.

Kui te kasutate oma rohukogujat murul, millel muru ja lehtede kogumise seadmeid pole kasutatud, korjate te üles rohtu ja prahti, mis on murule kogunenud pika aja vältel. Seetõttu võib kogutav maht ja tööaeg olla suurem, kui tavaliselt murukogujat kasutades.

- Kokkukogumise ajal töötage alati täisgaasiga.
- Valige piisavalt madal käik, et tagada niiduki head lõikamisjõudlust, kvaliteeti ja rohu kokkukogumist.

MÄRKUS: Teie soovidele vastamiseks võib olla vajalik lõikelaiuse osaline kattumine.

- Kui muru on väga kõrge, tuleks niita kaks korda. Esimesel korral suhteliselt kõrgelt, teisel korral soovitud kõrgusel.
- Trimmimiseks kasutage niiduki vasakpoolset külge.
- Prahhi hõpsamaks eemaldamiseks saab rohukogujasse sisestada kilest prügikotid. Täitunud prügikottide eemaldamiseks:
 - a. Ühendage terad lahti, asetage käigukang vabaasendisse, rakendage seisupidur ja seisake mootor.
 - b. Tõstke iste üles. Avage kate ja tõstke see üles.
 - c. Eemaldage korraga üks mahuti, võttes kinni mahuti sangadest ja tõmmates seda tahapoole, toruõõbastelt maha.
 - d. Asetage mahuti maapinnale, sulgege ja kinnitage kilest murukoti suue.
 - e. Kallutage mahuti küljele ja libistage täis kott mahutist välja.
 - f. Paigaldage uus kilekott, keerates kotiservad üle mahuti ülemise ääre.
 - g. Korra sama teiste mahutitega.
 - h. Paigaldage mahutid tagasi, veendudes, et parempoolne mahuti kattub keskmistel tuge del osaliselt vasakpoolse mahutiga.
 - j. Sulgege kate ja kinnitage ksaatorid üle keskmiste tugitorude.
- Vältige märja muru niitmist ning samuti niitmist hommikuti, kui muru on veel tugevalt kastene. Sellistes tingimustes korjatud muru kipub olema kleepuv ja jääb toru sissetõmbetee seintele ning põhjustab ummistumist.
- Teie kogumisseade on varustatud täiskoti indikaatoriga. Ketta liikumine suureneb kottide täitumisel. Ketas pöörleb suurima kiirusega vahetult enne kottide täielikult täis saamist. Kui ketas peatub, näitab see, et kotid on täis ja torud on ummistunud.

MÄRKUS: Torude ummistumise vältimiseks kontrollige/tühjendage kotid, kui ketas tiirleb kiiresti. Kogemus õpetab teile, millal on sobivaim aeg kottide tühjendamiseks.

- Tuleb olla ettevaatlik, et mitte kahjustada seadme osasid ja veenduda, et ketas pöörleb iga kasutamise alguses vabalt.
- Kui rohukoguja ei korja kokku muru ja lehti, osutab see süsteemi ummistumisele või täis mahutitele. Tavaliselt märgib seda täiskoti indikaatori seisumine.
 - a. Ühendage terad lahti, asetage käigukang vabaasendisse, rakendage seisupidur ja seisake mootor.
 - Tõstke iste üles. Avage kate ja tõstke see üles.
 - Libistage mahutid välja ja visake kogutud muru ära.
 - Astega mahutid tagasi, sulgege ja lukustage kate.
 - b. Ühendage torud lahti ja kontrollige neid ummistuse suhtes.
 - Eemaldage kogu torudes olev praht.
 - Paigutage torud tagasi ja kinnitage need.
 - c. Kontrollige, et veenduda täiskoti indikaatori mitteummistatusest.
 - Öhuava peab olema prahist vaba. Puhastamiseks sisestage sellesse õrnalt väike viitsake või juhe.

ETTEVAATUST!

- **Ärge kasutage niidukit, millele rohukoguja on vaid osaliselt paigaldatud.**
- **Ühendage terad lahti ja seisake mootor enne traktoriistmelt lahkumist, et tühjendada mahutid, vabastada ummistusest torud jne.**
- **Enne töö alustamist sulgege kate.**
- **Ühendage niiduk lahti, kui ületate sissesõiduteid või kiltustikuga kaetud pindasid ning teise piirkondi, kus labade vahelt visatud objektid võivad olla ohtlikud.**
- **Ärge püüdke üles korjata konservtopsikuid ega teisi potentsiaalselt ohtlikke plahvatavaid esemeid.**

Üldised soovitused

Hoolduse ajal järgige alati kõiki ohutusreegleid.

- Enne igat kasutamist kontrollige kinnitusdetalle lahtioleku suhtes.
- Puhastage seade korralikult pärast igat kasutamist.

TERADE HOOLDAMINE

Parimate tulemuste saavutamiseks peab terasid hoidma teravatena. Asendage kaardunud või kahjustunud terad.

- Vaadake kasutusjuhendist peatükki „TERADE HOOLDUS“.

⚠ ETTEVAATUST! ENNE IGAT HOOLDUST, TEENINDUST VÕI REGULEERIMIST:

- Vajutage siduripedaal täies ulatuses alla ja rakendage seisupidur.
- Asetage käigukang/liikumise juhtimise kang vabaasendisse (N).
- Asetage siduri juhtkang lahti ühendatud asendisse „DISENGAGED“.
- Keerake süütevõti asendisse “OFF”.
- Veenduge, et terad ja kõik liikuvad osad on täielikult seiskunud.
- Ühendage juhe (juhtmed) süüteküünalt (süüteküünaldelt) lahti ja asetage juhe kohta, kus see ei puutu küünlaga kokku.

⚠ ETTEVAATUST! Rohukogumisseadme komponendid kuluvad, kahjustuvad ja halvenevad, mis võib tuua nähtavale liikuvad osad või muuta võimalikuks objektide heitmise. Kontrollige regulaarselt komponente ja vajadusel asendage need tootja poolt soovitatud osadega.

HOIUSTAMINE

Kui rohkugujat hoiustatakse pikemaks ajaks, puhastage see hoolikalt, eemaldage kogu mustus, rohi, lehed jne. Hoiustage masin puhtas ja kuivas piirkonnas.

⚠ ETTEVAATUST! Ärge jätke rohtu mahutitesse. Tühjendage mahutid pärast igat kasutamist ja enne seadme hoiustamist. Selle nõude eiramine võib põhjustada spontaanse süttimise, millest võib areneda tulekahju.

OHUTUSNÕUDED

Juhiistmega muruniidukite ohutu kasutamine

TÄHTIS: Antud lõikemasin võib põhjustada käte ja jalgade amputeerimist ning esemed võivad sellest hooga eemale paiskuda. Allpooltoodud ohutusnõuete eiramine võib põhjustada tõsiseid vigastusi või surma.

I. ÜLDIST

- Lugege juhised tähelepanelikult läbi. Tutvuge juhtseadiste ja masina õige kasutamisega.
- Ärge lubage kunagi kasutada muruniidukit lastel või isikutel, kes ei tunne kasutusjuhiseid. Kohalike määrustega võidakse reguleerida kasutaja vanust.
- Ärge kunagi niitke, kui läheduses on kõrvalisi isikuid, eriti lapsi ja lemmikloomi.
- Pidage meeles, et inimene, kes niidukiga töötab, vastutab teistele inimestele põhjustatud õnnetuste või õnnetusohu või vara kahjustamise eest.
- Ärge sõidutage muruniidukil inimesi.
- Kõik juhid peaksid püüdma läbida professionaalsel tasemel praktilise väljaõppe. Sellise väljaõppe käigus tuleks rõhutada:
 - vajadust olla juhiistmega muruniidukitel töötades hoolikas ja tähelepanelik;
 - kui juhiistmega muruniiduk hakkab kallakust alla libisema, ei ole pidurdades võimalik masinat kontrolli alla saada.

Peamised juhitavuse kaotamise põhjused on:

- a) rataste ebapiisav haakumine;
- b) liiga kiiresti sõitmine;
- c) vale pidurdamine;
- d) antud tüüpi masin ei sobi konkreetse ülesande lahendamiseks;
- e) ei olda teadlik, milline mõju võib olla pinnasetingimustel, eriti kallakutel;
- f) haagise vale kinnitamine ja koorma ebaõige jaotus.

II. ETTEVALMISTUS

- Tulekahjuohu vähendamiseks – enne kasutamist, kütuse lisamisel ja iga niitmiskorra järel – kontrollige ja eemaldage traktorist, niidukist ja kõigi kaitsekatete tagant sinna koguneda võinud niitmiskäädid.
- Niitmise ajal kandke alati tugevaid jalanõusid ja pikki pükse. Ärge töötage niidukiga paljajalu ega lahtistes sandaalides.
- Enne niiduki kasutamist kontrollige põhjalikult tööpiirkonda ja eemaldage kõik esemed, mis võivad niidukilt saadud löögist õhku paiskuda.
- ETTEVAATUST – bensiin on väga tuleohtlik.
 - Hoidke bensiini ainult selleks ettenähtud anumates.
 - Tankige ainult vabas õhus ning ärge suitsetage seda tehes.
 - Lisage bensiini enne mootori käivitamist. Ärge kunagi eemaldage kütusepaagi korki ega lisage kütust, kui mootor töötab või on kuum.
 - Kui bensiini läks maha, ärge proovige mootorit käivitada, vaid viige niiduk antud piirkonnast eemale ja vältige sädemete tekitamist, kuni bensiiniaurud on hajunud.
 - Sulgege kõigi paakide korgid korralikult.
- Asendage vigased summutid.
- Enne kasutamist kontrollige alati visuaalselt, et lõiketerad, tera poldid ja lõikeagregaat ei oleks kulunud või vigastatud. Asendage kulunud või vigastatud terad ja poldid, et säilitada tasakaalu
- Mitme teraga niiduki korral olge ettevaatlik, sest ühe tera pöörlemine võib põhjustada teiste terade pöörlemist.



III TÖÖTAMINE

- Ärge pange mootorit tööle väikeses ruumis, kuhu võivad koguneda ohtlikud vingugaasi aurud.
- Niitke ainult päevalguses või hea kunstliku valgusega.
- Enne kui püüate mootorit käivitada, vabastage kõik lõiketerade ühendused ja viige käigukang neutraalasendisse.
- Ärge kasutage rohkem kui 5° kallakutel.
- Pidage meeles, et ei ole olemas sellist asja nagu „ohutu“ kallak. Liikumine rohuga kaetud kallakutel nõuab erilist ettevaatust. Ümbermineku vältimiseks:
 - vältige järsku peatumist või liikumahakkamist, kui liigute mäest alla;
 - lülitage sidurit aeglaselt, jälgige, et käik oleks alati sees, eriti mäest alla liikudes;
 - kallakutel ja järskudel pööretel peaks masina kiirus peaks olema väike;
 - olge tähelepanelik küngete ja aukude ning muude varjatud ohtude suhtes;
 - ärge kunagi niitke kallaku suunas risti, välja arvatud juhul, kui niiduk on selleks otstarbeks ette nähtud.
- Koormaid vedades või raskeid haagiseid kasutades olge ettevaatlik.
 - Kasutage ainult valmistaja poolt heaks kiidetud järeldaagise kinnituse.
 - Vedage ainult selliseid koormaid, mida suudate kindlalt kontrollida.
 - Ärge pöörake järsult. Tagurdage ettevaatlikult.
 - Kasutage tasakaalustavaid raskusi või rattakaalu, kui seda kasutusjuhendis soovitakse.
- Maanteid ületades või nende lähedal töötades jälgige liiklust.
- Peatage lõiketerade liikumine, kui liigute muudelele pindadel peale muru.
- Kui kasutate lisaseadmeid, ärge kunagi väljutage materjali läheduses viibivate inimeste suunas ega lubage inimestel viibida töötava masina lähedal.
- Ärge kunagi kasutage muruniidukit kaitseesadmed on vigastatud või ohusvahendid ei ole paigaldatud.
- Ärge muutke mootori regulaatori seadeid ega koormake mootorit üle. Kui mootor töötab liiga kiiresti, võib suurendada oht, et inimesed saavad vigastada.
- Enne juhiistmelt lahkumist:
 - vabastage ülekandevõlli ja laske lisaseadmed alla;
 - viige käigukang neutraalasendisse ja tõmmake peale seisupidur;
 - peatage mootor ja võtke võti ära.
- Vabastage lisaseadmed, peatage mootor ja ühendage süüteküünla kaabel/kaablid lahti või eemaldage süütevõti.
 - enne takistuste puhastamist või väljaviskeava ummistuste kõrvaldamist;
 - enne muruniiduki kontrollimist, puhastamist või parandamist;
 - pärast kõrvalise esemega kokkupuutumist. Kontrollige muruniiduki kahjustusi ja kõrvaldage vead enne taaskäivitamist ja muruniidukiga töötamist;
 - kui muruniiduk hakkab liigselt vibreerima (kontrollige viivitamatult).
- Masinat transportides või kui seda ei kasutata vabastage lisaseadmed.
- Enne tankimist peatage mootor ja vabastage lisaseadmed;
 - enne rohkuguja eemaldamist;
 - enne kõrguse reguleerimist, välja arvatud juhul, kui seda on võimalik teha juhiistmelt lahkumata.
- Vähendage gaasikangi seadet mootori seiskamisel ning kui mootor on varustatud seiskumisventiiliga, keerake kütus kinni pärast niitmise lõppu.

IV HOOLDUS JA HOIUSTAMINE

- Keerake kõik mutrid, poldid ja kruvid korralikult kinni, et niidukiga töötamine oleks ohutu.
- Ärge kunagi hoiustage niidukit, mille kütusepaagis on bensiini, hoones, kus bensiiniaurud võivad kokku puutuda lahtise tule või sädemetega.
- Laske mootoril jahtuda enne niiduki hoiustamist kinnises ruumis.
- Tuleohutuse vähendamiseks hoidke mootor, summuti, aku ja bensiinipaak puhtad murust, lehtedest või liigest õlist.
- Kontrollige tihti, et murukoguja ei oleks kulunud ega vananenud.
- Asendage kulunud või vigastatud osad.
- Kütusepaaki tuleb tühjendada vabas õhus.
- Mitme teraga niiduki korral olge ettevaatlik, sest ühe tera pöörlemine võib põhjustada teiste terade pöörlemist.
- Kui kavatasete masinat parkida, selle hoiule panna või masina juurest lahkuda, laske lõiketerad alla, välja arvatud juhul, kui kasutate mehhaanilist lukku.

⚠ HOIATUS Ühendage alati süüteküünla kaabel lahti ja asetage see nii, et kaabel ei saaks süüteküünalt puudutada; nii väldite masina juhuslikku käivitamist, kui valmistate seda ette transportimiseks, reguleerimiseks või remontitööde ajal.

A DETAĻU IDENTIFĒŠANA

1. Tvertnes augšpuse
2. Tvertnes apakšdaļa
3. Augšējā tekne
4. Apakšējā tekne
5. Vāks
6. Pilna maisiņa indikators
7. Augšējās teknes aizslēgs
8. Apakšējās teknes aizslēgi
10. Atbalsta mezgls

B ATBALSTA MEZGLS

- a. Jūsu traktoram uz aizmugures sakabes iekārtas jau ir četras (4) izciļņa bultas, vienkārši uzkariet atbalsta mezglu uz skrūvēm (1).
- b. Lai noņemtu atbalsta mezglu, izvelciet uz aiztures balstēni (2) tik daudz, lai ļautu atbalsta mezglu pacelt augšup un prom no sakabes iekārtas.

C VĀKA (1) MONTĀŽA PIE ATBALSTA MEZGLA (2)

IEVĒROJIET: Montāžas atvieglošanai jūs varbūt vēlaties saņemt citas personas palīdzību, lai vāku piestiprinātu traktoram.

- a. Novietojiet vāku mezglu, kā parādīts, zemē aiz traktora.
- b. Paceliet un pagrieziet vāku ap savu asi tā, lai vāka balstēnis atrastos līdzās atbalsta mezglam.
- c. Virziet vāku mezglu lejup uz atbalsta mezglu.

D TVERTNES MONTĀŽA

- a. Novietojiet apakšējo pusi (1) augšējās puses (2) iekšpusē.
- b. Ielieciet vienu kāju apakšējās puses iekšpusē un paceliet augšējo pusi, lai savienotu ar apakšējo pusi.
- c. Saspiediet puses cieši kopā, vienlaikus paceļot augšpusi, lai nostiprinātu vietā, kā redzams attēlā.

SVARĪGI: PIRMS MĒLĪTES (3) NOSLĒGŠANAS AIZĀKĒTAJĀM MALĀM ABĀS PUSĒS IR JĀPĀRKLĀJAS, LAI VEIDOTU BLĪVĒJUMU, KĀ REDZAMS IELĀIDUMĀ.

- d. Atkārtojiet to pašu ar citām tvertnēm.

MONTĀŽAS PĀRBAUDE: Saspiediet apakšējās puses daļas un pārbaudiet, lai starp augšējo un apakšējo pusi nebūtu spraugas. Ja rodas sprauga, atslēdziet mēlīti, lai atdalītu puses un atkārtotiet iepriekšminētās darbības.

E TVERTNES MONTĀŽA

- a. Vispirms uzstādiet tvertni kreisajā pusē (1). Uzstādiet otru tvertni labajā pusē (2).

IEVĒROJIET: Labās puses tvertnes kreisajai malai pie vidējā atbalsta (3) vienmēr ir jāpārklāj kreisās puses tvertnes labā mala.

- b. Aizveriet vāku un nostipriniet aizslēga kloķi (4) virs vidējās atbalsta caurules (3).

F APAKŠĒJĀS TEKNES PIESTIPRINĀŠANA

- a. Paceliet un turiet novirzītāja vairogu (1) augšup vērsta stāvoklī.
- b. Novietojiet apakšējās teknes spraugu virs mēlītes (2) uz plāvēja virsmas un izvietojiet apakšējo tekni virs virsmas atveres kā parādīts attēlā.
- c. Aizāķējiet aizmugures tekni (3) atloka caurumā aizmugurē, uz plāvēja virsmas.
- d. Aizāķējiet priekšējo aizslēgu (4) mēlītes caurumā priekšpusē, uz plāvēja virsmas.

UZMANĪBU: Nenonemiet novirzītāja vairogu (1) no plāvēja. Paceliet un turiet vairogu, kamēr stiprināt apakšējo tekni, un darba laikā ļaujiet tam balsfīties uz teknes.

G AUGŠĒJĀ TEKNE

- a. Nolaidiet plāvēju tā zemākajā griešanas pozīcijā.
- b. Samontējiet augšējo tekni (1) iebāzot likto galu caurumā vāka aizmugurē (2).
- c. Iespiediet un pagrieziet augšējo tekni, līdz kamēr tā atrodas vienā līnijā ar apakšējo tekni (3).
- d. Novietojiet līdzās izciļņus (4) uz apakšējās teknes ar izlīdzinājuma spraugām (4) uz augšējās teknes un savirziet kopā.
- e. Nostipriniet ar gumijas aizslēgu (5) uzāķējot aizslēga caurumu uz aizslēga tapas (6).



PADOMI LABĀKAI SAVĀKŠANAI:

Sekojiēt plāvēja ekspluatācijas instrukcijām jūsu traktora lietotāja rokasgrāmatā.

Lai nodrošinātu labāku plāvēja darbību, pārliecinieties, vai plāvējs ir labi nolīmeņots.

Darbinot jūsu zāles savācēju uz zālāja, kur nav lietota zāles un lapu savākšanas iekārta, jūs paceļat salmus un atkritumus, kas ir sakrājušies ilgā laikā. Savāktais daudzums un kopējais darbības laiks var būt lielāks nekā regulāri lietojot zāles savācēju.

- Savācot zāli un lapas, vienmēr darbiniet ierīci ar pilniem apgriezieniem.
- Izvēlieties pietiekami zemu pārnese, lai plāvējs labi un kvalitatīvi plautu un labi savāktu zāli un lapas.

IEVĒROJIET: Var būt nepieciešams plaut ar pārklāšanos, lai plāvums atbilstu jūsu nosacījumiem.

- a. Ja zāle ir sevišķi gara, tā ir jāplauj divreiz. Pirmo reizi relatīvi augstu, otro reizi līdz vajadzīgajam augstumam.
- a. Apgriešanai lietojiet plāvēja kreiso pusi.
- b. Lai atvieglotu atkritumu aizvākšanu, zāles savācēja konteinerā var ievietot plastmasas atkritumu maisus. Lai aizvāktu pilnos plastmasas atkritumu maisus:
 - a. Atvienojiet asmeņus, pārslēdziet neitrālajā stāvoklī, iedarbiniet stāvbremzi un apstādiniet dzinēju.
 - b. Paceliet sēdekli. Atvienojiet un paceliet vāku.
 - c. Noņemiet tvertni pa vienai, satverot tvertnes rokturus un velkot uz aizmuguri nost no cauruļu slīdītēm.
 - d. Tvertnei atrodoties zemē, aizveriet un nostipriniet plastmasas zāles maisa augšpusi.
 - e. Apgāziet tvertni uz sāniem, un izvelciet piepildīto maisu no tvertnes.
 - f. Uzstādiet jaunu plastmasas zāles maisu, pārlokot maisa malas pāri tvertnes augšējai malai.
 - g. Atkārtotiet to pašu citām tvertnēm.
 - h. Uzmontējiet atpakaļ tvertnes, pārliecinoties, ka labās puses tvertne pārklāj kreisās puses tvertni pie vidējā atbalsta.
 - j. Aizveriet vāku un nostipriniet aizslēgus virs vidējām atbalsta caurulēm.

- Izvairieties no mitras zāles plaušanas un plaušanas no rīta, kamēr ir rasa. Zāles atgriezumi, kas ir savākti šajos apstākļos, mēdz būt lipīgi un pieļip pie plūsmas trakta sienām, izraisot aizsērēšanu.

- Jūsu zāles savācējs ir aprīkots ar pilnas tvertnes indikatoru. Riteņa kustība palielinās, kad maisis piepildās. Ritenis rit visātrāk tieši pirms maisu galīgas piepildīšanās. Kad ritenis apstājas, tas norāda, ka maisis ir pilni, un teknes ir aizsērējušas.

IEVĒROJIET: Lai nepieļautu tekņu aizsērēšanu, kad ritenis sāk griezties ātri, pārbaudiet /iztukšojiet maisus. Pieredze jums iemācīs, cik bieži ir jāiztukšo maisi.

- Ir jārupējas, lai nesabojātu detaļas un ritenis grieztos brīvi katru reizi uzsākot darbu.
- Ja zāles savācējs nesavāc nogrieztu zāli vai lapas, tas nozīmē, ka ir notikusi sistēmas aizsērēšana vai zāles savācēja tvertnes ir pilnas. Parasti uz to norāda pilna savācēja indikatora apstāšanās.

- a. Atvienojiet asmeņus, pārslēdziet neitrālajā stāvoklī, iedarbiniet stāvbremzi un apstādiniet dzinēju.

- Paceliet sēdekli. Atvienojiet un paceliet vāku.

- Izvelciet tvertnes un izvāciet atgriezumus.

- Nomainiet tvertnes, aizveriet vāku un nostipriniet.

- b. Atvienojiet teknes un pārbaudiet, vai nav aizsērējumu.

- Izvāciet visus atkritumus no teknēm.

- Samontējiet no jauna un nostipriniet teknes

- c. Pārbaudiet, vai pilna savācēja indikators nav aizsērējis.

- Gaisa kanāla atverei ir jābūt tīrai no atkritumiem. Uzmanīgi iebāziet mazu zariņu vai vadu kanāla atverē, lai to iztīrītu.

UZMANĪBU

- **Nedarbiniet plāvēju ar nepilnīgi uzstādītu zāles savācēju.**
- **Lai iztukšotu tvertnes, teknes no aizsērējuma u.c., pirms atstāt traktora sēdekli, atvienojiet asmeņus un apstādiniet dzinēju.**
- **Pirms iedarbināt, aizveriet vāku.**
- **Šķērsojot ceļus vai grantētas virsmas un citas vietas, kur var būt bīstami nomesti objekti, atvienojiet plāvēju.**
- **Nemēģiniet uzsūkt bundžas vai citus potenciāli bīstamus šāviņus.**

VISPĀRĒJI IETEIKUMI

Veicot jebkādu apkopi, vienmēr ievērojiet drošības noteikumus.

- Pirms katras lietošanas pārbaudiet, vai stiprinājumi ir pievilkti.

- Rūpīgi iztīriet ierīci pēc katras lietošanas.

ASMEŲ APRŪPE

Lai labāk veiktos darbs, plāvēja asmeņiem vienmēr jābūt asiem. Nomainiet saliektus vai bojātus asmeņus.

- Skat. ASMEŅU APRŪPES instrukcijas jūsu traktora lietotāja rokasgrāmatā.

⚠️ UZMANĪBU: PIRMS VEIKT JEBKĀDU APKOPI, APKOPIET VAI NOREGULĒJĪET:

- Nospiediet sajūga bremzes pedāli pilnībā un iedarbiniet stāvbremzi.
- Ievietojiet pārnēsumu pārslēga/ kustības vadības sviru neitrālā stāvoklī (N).
- Ievietojiet sajūga pārslēgu "ATVIENOTS" stāvoklī.
- Pagrieziet aizdedzes atslēgu "OFF (IZSLĒGTS)" stāvoklī.
- Pārlicinieties, ka asmeņi un visas kustīgās detaļas ir pilnīgi apstājušās.
- Atvienojiet aizdedzes sveces vadu (s) no aizdedzes sveces (-ēm) un novietojiet vadu tā, lai tas nevarētu saskarties ar sveci.

⚠️ UZMANĪBU: Zāles savācēja mezgļi ir pakļauti nodilšanai, bojājumiem un nolietojumam, kas var atklāt kustīgās detaļas vai ļaut objektiem tikt izmestiem. Bieži pārbaudiet mezglus un, ja nepieciešams, aizvietojiet ar ražotāja ieteiktajām detaļām.

UZGLABĀŠANA

Ja zāles savācējs ir kādu laiku jāuzglabā, kārtīgi to iztīriet, notīriet visus neīrūmus, zāli, lapas u.c. Glabājiet tīrā, sausā vietā.

⚠️ UZMANĪBU: Neatstājiet zāli savācēja tvertnēs. Iztukšojiet tvertnes pēc katras lietošanas un pirms glabāšanas. Ja to nedara, var notikt pašai aizdedzēšanai, kas var izraisīt ugunsgrēku.

SAUGUMO TAISYKLĒS

Saugaus darbo praktika vairuojamiems pjovimo agregatams.

SVARBU: Ši pjovimo mašina gali amputuoti rankas ir kojas ir sviesti uzkliudytus daiktus. Sekančių saugumo taisyklių nesilaikymas gali rimtai sužaloti arba sukelti mirtį

I. APMOKYMAS

- Atidžiai perskaitykite naudojimo instrukciją. Įsidėmėkite apie valdymą ir teisingą įrangos naudojimą.
- Niekada neleiskite naudoti įrangą vaikams arba žmonėms, kurie nėra susipažinę su naudojimosi instrukcijomis. Atsižvelgiant į vietines aplinkybes, vartotojo amžius gali būti apribotas.
- Niekada nedirbkite su įranga kai šalia yra žmonės, ypač vaikai, arba gyvūnai.
- Atsiminkite, kad operatorius arba vartotojas yra atsakingas už nelaimingus atsitikimus arba pavojų, kas gresia kitiems žmonėms arba jų turtui.
- Nevezkite keleivius.
- Visi vairuotojai turi susieškoti ir įsigyti profesionalią ir praktišką instrukciją. Tokia instrukcija turi pabrėžti:

- atidumą ir koncentravimosi būtinumą, dirbant su vairuojamomis įrangomis;
- kai vairuojamoji įranga praranda kontrolę ir nebevaldoma naudojant stabdžius, tai slystant nuolydžiu.

Pagrindinės priežastys kontrolės praradimui yra sekančios:

- a) nepakankamas vairo sutvėrimas;
- b) per greitas važiavimas;
- c) nepakankamas stabdymas;
- d) įrangos tipas yra nepritaikytas tokiems darbams;
- e) informacijos stoka apie apdirbamos žemės paviršiaus pobūdį, ypač nuolydžių efekta;
- f) neteisingas sukabinimas ir krovinio paskirstymas.

II. PASIRUOŠIMAS DARBUI

- Dirbdami su įranga, visados dėvėkite uždara avalynę ir ilgas kelnes. Nedirbkite su įranga būdami basomis kojomis arba avėdami atvirą avalynę.
- Kaip reikiant patikrinkite plotą, kur naudosite įrangą, ir pašalinkite visus trukdančius daiktus.
- ĮSPĖJIMAS – benzinas yra lengvai užsiliepsnojantis skystis:
 - laikykite degalus specialiai tam skirtuose rezervuaruose.
 - pilkite degalus į baką tiktai po atviru dangumi ir tuo metu jokiu būdu nerūkykite.
 - pilkite degalus prieš variklio užvedimą. Niekada nenuimkite degalų bako dangtį arba nepilkite benzinau kai variklis dirba arba kol variklis yra užkaitęs.
 - jeigu benzinas išsilieja, nemėginkite užvesti variklį, bet pergabinkite įrangą toliau nuo išsiliejimo vietos ir pasistenkite išvengti užsidegimo pavojaus iki benzino garai išsisklaidys.
 - dėdami į vietą visus degalų bakelių ir konteinerių dangčius, tuos kietai užsukite.
- Pakeiskite sugedusius duslintuvus.
- Prieš įrangos naudojimą visada vizualiai patikrinkite, ar įrangos dalys ir detalės nėra nudilusios arba sugedusios. Pakeiskite nudilusius arba sugadintus elementus ir varžtų komplektą, kad įranga išsilaikytų pusiausviroje.



- Naudodami daugiapėlines įrangas atsiminkite, kad sukant viena peilį gali sukintis ir visi kiti.

III. NAUDOJIMAS

- Nedirbkite su įranga uždaroje patalpoje, kur gali susikaupti pavojingi anglies monoksido garai.
- Pjaukite tiktai dienos šviesoje arba prie geros dirbtinės šviesos.
- Prieš bandant užvesti variklį, atjunkite visų peilių prijungimo sankabas ir perjunkite į neutralią padėtį.
- Nedirbkite ant nuolydžių, statesnių kaip 5°.
- Atsiminkite, kad nėra "saugių" šlaitų. Važiuojant per žolės šlaitus, reikia elgtis labai atsargiai. Kad apsisaugoti nuo apsvertimo:
 - staiga nesustabdykite ir neužveskite įrangą važiuojant į kalną arba nuo kalno;
 - įjunkite sankabą lėtai, visados laikykite įrangą įjungtą, ypač važiuojant nuo kalno;
 - įrangos greitis turi būti išlaikomas mažas ant šlaitų ir siauruose posūkiuose;
 - būkite budrus apvažiuodami kauburius, įdubas ir kitas apslėptas pavojingas vietas;
 - niekuomet nepjaukite skersai šlaitų, jeigu tiktai žoliapjovė nėra tam specialiai numatyta.
- Elkitės atsargiai kada traukiate krovinius arba naudojate sunkius įrengimus.
 - Naudokite tiktai užtvirtintas sukabinimo sujungimo vietas.
 - Atribokite krovinius, kad galėtumėte drąsiai kontroliuoti.
 - Nedarykite staigių posūkių. Būkite atsargūs, kada apsisukate.
 - Naudokite atsvarą ir ratų atsvarą, kada patarta instrukcijoje.
- Stebėkite eismą kada pervaziuojate skersai kelio arba kai važiuojate šalia kelio.
- Sustabdykite peilius, kad nesisuktų, kada nevažiuojate per žolę.
- Kada yra prikabinti įrengimai, niekadus neiškraukite medžiagas, kai šalia yra stovintys, ir neleiskite nevienam būti šalia įrangos, kada ją naudojate.
- Niekadus nedirbkite su žoliapjove, kuriai sugedę saugumo įrenginiai, skydai arba be saugumo apsaugos įrenginių savo vietoje.
- Nekeiskite savavališkai įrangos reguliavimą ir nedirbkite per dideliu greičiu. Naudojant variklį per daug dideliu greičiu, gali padidėti susižalojimo įranga rizika.
- Prieš paliekant operatoriaus vietą:
 - atjunkite maitinimo sistemą ir nuleiskite prikabinatą įrangą;
 - pasukite į neutralią padėtį bėgių svirtį ir įjunkite rankinį stabdį;
 - sustabdykite variklį ir išimkite raktą iš uždegimo spynelės.
- Atjunkite prikabintos įrangos tiekiamą laidą, sustabdykite variklį ir atjunkite uždegimo žvakės laidą arba išimkite uždegimo raktą:
 - prieš išvalant įrangą arba dujų išmetimo angą;
 - prieš patikrinant, išvalant arba nedirbant su žoliapjove;
 - įtraukus svetimkūnį. Patikrinkite žoliapjovę, ar nėra sugadintos detalės ir ištaisykite prieš iš naujo paleidžiant ir naudojant įrangą;
 - žoliapjovei pradėjus nenormaliai vibruoti (patikrinkite nedelsiant).
- Sustabdykite variklį:
 - prieš degalų įpylimą;
 - prieš žolės surinkėjo nuėmimą;
 - prieš aukštumo reguliavimą, išskyrus, jeigu tą numatyta reguliuoti nuo operatoriaus vietos.
- Sumažinkite droselio sklendės padėtį kol variklis išsijungia ir, jeigu variklis yra su išsijungimo vožtuvu, užsukite degalus baigę pjovimo darbus.

IV. TECHNIKINĖ PRIEŽIŪRA IR LAIKYMAS

- Sekite, kad visi sraigčiai, veržlės ir varžtai būtų tvirtai prisukti, kad užtikrinti visos įrangos saugų darbą.
- Niekadus nelaikykite uždaroje patalpoje įrangą su benzinu bake, nes benzino garai gali lengvai užsiliepsnoti nuo atviros liepsnos arba kibirkšties.
- Leiskite varikliui pravėsti ir tiktai tada padėkite uždaroje patalpoje.
- Kad išvengtumėte gaisro pavojaus, laikykite variklį, duslintuvą, akumuliatoriaus skyrių bei benzino laikymo vietą švarias, neužterštas vegetatyvinėmis medžiagomis bei tepalais.
- Saugumo sumetimais pakeiskite nudėvėtas ir sugadintas įrangos dalis.
- Jeigu reikia ištuštinti ar išvalyti degalų baką, darykite tai tiktai po atviru dangumi.
- Naudojantis daugiapėline įranga, elkitės atsargiai, nes sukant vieną peilį gali sukintis ir visi kiti.
- Jeigu įrangą reikia pastatyti į stovėjimo aikštelę, laikyti arba palikti be priežiūros, nuleiskite pjovimo įrankius, jeigu nenaudojate saugų mechaninį užraktą.



ISPEJIMAS: Visados atjunkite uždegimo žvakės laidą ir padėkite atokiau, kad tas negalėtų pasiekti uždegimo žvakę, kad išvengti netyčinio įsijungimo paruošiant, transportuojant, reguliuojant arba remontuojant įrangą.

A DETAĻU IDENTIFĪCĒŠANA

1. Tvertnes augšpuse
2. Tvertnes apakšdaļa
3. Augšējā tekne
4. Apakšējā tekne
5. Vāks
6. Pilna maisiņa indikators
7. Augšējās teknes aizslēgs
8. Apakšējās teknes aizslēgi
10. Atbalsta mezgls

B ATBALSTA MEZGLS

- a. Jūsu traktoram uz aizmugures sakabes iekārtas jau ir četras (4) izcilņa bultas, vienkārti uzkariet atbalsta mezglu uz skrūvēm (1).
- b. Lai noņemtu atbalsta mezglu, izvelciet uz aiztures balstēni (2) tik daudz, lai ļautu atbalsta mezglu pacelt augšup un prom no sakabes iekārtas.

C VĀKA (1) MONTĀŽA PIE ATBALSTA MEZGLA (2)

IEVĒROJIET: Montāžas atvieglošanai jūs varbūt vēlaties saņemt citas personas palīdzību, lai vāku piestiprinātu traktoram.

- a. Novietojiet vāku mezglu, kā parādīts, zemē aiz traktora.
- b. Paceliet un pagrieziet vāku ap savu asi tā, lai vāka balstēnis atrastos līdzās atbalsta mezglam.
- c. Virziet vāku mezglu lejup uz atbalsta mezglu.

D TVERTNES MONTĀŽA

- a. Novietojiet apakšējo pusi (1) augšējās puses (2) iekšpusē.
- b. Ielieciet vienu kāju apakšējās puses iekšpusē un paceliet augšējo pusi, lai savienotu ar apakšējo pusi.
- c. Saspiediet puses cieši kopā, vienlaikus paceļot augšpusi, lai nostiprinātu vietā, kā redzams attēlā.

SVARĪGI: PIRMS MĒLĪTES (3) NOSLĒGŠANAS AIZĀKĒTĀJĀM MALĀM ABĀS PUSĒS IR JĀPĀRKLĀJAS, LAI VEIDOTU BLĪVĒJUMU, KĀ REDZAMS IELĀIDUMĀ.

- d. Atkārtojiet to pašu ar citām tvertnēm.

MONTĀŽAS PĀRBAUDE: Saspiediet apakšējās puses daļas un pārbaudiet, lai starp augšējo un apakšējo pusi nebūtu spraugas. Ja rodas sprauga, atslēdziet mēlīti, lai atdalītu puses un atkārtojiet iepriekšminētās darbības.

E TVERTNES MONTĀŽA

- a. Vispirms uzstādiet tvertni kreisajā pusē (1). Uzstādiet otru tvertni labajā pusē (2).

IEVĒROJIET: Labās puses tvertnes kreisajai malai pie vidējā atbalsta (3) vienmēr ir jāpārklāj kreisās puses tvertnes labā mala.

- b. Aizveriet vāku un nostipriniet aizslēga kloķi (4) virs vidējās atbalsta caurules (3).

F APAKŠĒJĀS TEKNES PIESTIPRINĀŠANA

- a. Paceliet un turiet novirzītāja vairogu (1) augšup vērsta stāvoklī.
- b. Novietojiet apakšējās teknes spraugu virs mēlītes (2) uz plāvēja virsmas un izvietoiet apakšējo tekni virs virsmas atveres kā parādīts attēlā.
- c. Aizākējiet aizmugures tekni (3) atloka caurumā aizmugurē, uz plāvēja virsmas.
- d. Aizākējiet priekšējo aizslēgu (4) mēlītes caurumā priekšpusē, uz plāvēja virsmas.

UZMANĪBU: Nenovietojiet novirzītāja vairogu (1) no plāvēja. Paceliet un turiet vairogu, kamēr stiprināt apakšējo tekni, un darba laikā ļaujiet tam balstīties uz teknes.

G AUGŠĒJĀ TEKNE

- a. Nolaidiet plāvēju tā zemākajā griešanas pozīcijā.
- b. Samontējiet augšējo tekni (1) iebāzot liekto galu caurumā vāka aizmugurē (2).
- c. Iespiediet un pagrieziet augšējo tekni, līdz kamēr tā atrodas vienā līnijā ar apakšējo tekni (3).
- d. Novietojiet līdzās izcilņus (4) uz apakšējās teknes ar izlīdzinājuma spraugām (4) uz augšējās teknes un savirziet kopā.
- e. Nostipriniet ar gumijas aizslēgu (5) uzākējot aizslēga caurumu uz aizslēga tapas (6).



PADOMI LABĀKAI SAVĀKŠANAI:

Sekoiet plāvēja ekspluatācijas instrukcijām jūsu traktora lietotāja rokasgrāmatā.

Lai nodrošinātu labāku plāvēja darbību, pārliecinieties, vai plāvējs ir labi nolīmeņots.

Darbinot jūsu zāles savācēju uz zālāja, kur nav lietota zāles un lapu savākšanas iekārta, jūs paceļat salmus un atkritumus, kas ir sakrājušies ilgā laikā. Savāktais daudzums un kopējais darbības laiks var būt lielāks nekā regulāri lietojot zāles savācēju.

- Savācot zāli un lapas, vienmēr darbiniet ierīci ar pilniem apgriezieniem.
- Izvēlieties pietiekami zemu pārneseņu, lai plāvējs labi un kvalitatīvi pļautu un labi savāktu zāli un lapas.

IEVĒROJIET: Var būt nepieciešams pļaut ar pārklāšanos, lai plāvums atbilstu jūsu nosacījumiem.

- Ja zāle ir sevišķi gara, tā ir jāpļauj divreiz. Pirmo reizi relatīvi augstu, otro reizi līdz vajadzīgajam augstumam.
- Apgriešanai lietojiet plāvēja kreiso pusi.
- Lai atvieglotu atkritumu aizvākšanu, zāles savācēja konteinerā var ievietot plastmasas atkritumu maisus. Lai aizvāktu pilnos plastmasas atkritumu maisus:

- a. Atvienojiet asmeņus, pārslēdziet neitrālajā stāvoklī, iedarbiniet stāvbremzi un apstādiniet dzinēju.
- b. Paceliet sēdekli. Atvienojiet un paceliet vāku.
- c. Noņemiet tvertni pa vienai, satverot tvertnes rokturus un velkot uz aizmuguri nost no cauruļu sliedītēm.
- d. Tvertnei atrodies zemē, aizveriet un nostipriniet plastmasas zāles maisa augšpusi.
- e. Apgāziet tvertni uz sāniem, un izvelciet piepildīto maisu no tvertnes.
- f. Uzstādiet jaunu plastmasas zāles maisu, pārlokot maisa malas pāri tvertnes augšējai malai.
- g. Atkārtojiet to pašu citām tvertnēm.
- h. Uzmanējiet atpakaļ tvertnes, pārliecinoties, ka labās puses tvertne pārklāj kreisās puses tvertni pie vidējā atbalsta.
- j. Aizveriet vāku un nostipriniet aizslēgus virs vidējām atbalsta caurulēm.

- Izvairieties no mitras zāles pļaušanas un pļaušanas no rīta, kamēr ir rasa. Zāles atgriezumi, kas ir savākti šajos apstākļos, mēdz būt lipīgi un pielīp pie plūsmas trakta sienām, izraisot aizsērēšanu.

- Jūsu zāles savācējs ir aprīkots ar pilnas tvertnes indikatoru. Riteņa kustība palielinās, kad maisis piepildās. Ritenis rit visātrāk tieši pirms maisu galīgas piepildīšanās. Kad ritenis apstājas, tas norāda, ka maisis ir pilns, un teknes ir aizsērējušas.

IEVĒROJIET: Lai nepieļautu tekņu aizsērēšanu, kad ritenis sāk griezties ātri, pārbaudiet /iztukšojiet maisus. Pieredze jums iemācīs, cik bieži ir jāiztukšo maisis.

- Ir jā rūpējas, lai nesabojātu detaļas un ritenis grieztos brīvi katru reizi uzsākot darbu.
- Ja zāles savācējs nesavāc nogrieztu zāli vai lapas, tas nozīmē, ka ir notikusi sistēmas aizsērēšana vai zāles savācēja tvertnes ir pilnas. Parasti uz to norāda pilna savācēja indikatora apstāšanās.

- a. Atvienojiet asmeņus, pārslēdziet neitrālajā stāvoklī, iedarbiniet stāvbremzi un apstādiniet dzinēju. .
- Paceliet sēdekli. Atvienojiet un paceliet vāku.
- Izvelciet tvertnes un izvēciat atgriezumus.
- Nomainiet tvertnes, aizveriet vāku un nostipriniet.
- b. Atvienojiet teknes un pārbaudiet, vai nav aizsērējumu.

- Izvēciat visus atkritumus no teknēm.
- Samontējiet no jauna un nostipriniet teknes
- c. Pārbaudiet, vai pilna savācēja indikators nav aizsērējis.
- Gaisa kanāla atverei ir jābūt tīrai no atkritumiem. Uzmanīgi iebāziet maisu zariņu vai vadu kanāla atverē, lai to iztīrītu.



UZMANĪBU

- **Nedarbiniet plāvēju ar nepilnīgi uzstādītu zāles savācēju.**
- **Lai iztukšotu tvertnes, teknes no aizsērējuma u.c., pirms atstāt traktora sēdekli, atvienojiet asmeņus un apstādiniet dzinēju.**
- **Pirms iedarbināt, aizveriet vāku.**
- **Šķērsojot ceļus vai grantētas virsmas un citas vietas, kur var būt bīstami nomesti objekti, atvienojiet plāvēju.**
- **Nemēģiniet uzsūkt bundžas vai citus potenciāli bīstamus šāviņus.**

VISPĀRĒJI IETEIKUMI

Veicot jebkādu apkopi, vienmēr ievērojiet drošības noteikumus.

- Pirms katras lietošanas pārbaudiet, vai stiprinājumi ir pievilkti.
- Rūpīgi iztīriet ierīci pēc katras lietošanas.

ASMEŅU APRŪPE

Lai labāk veiktos darbs, plāvēja asmeņiem vienmēr jābūt asiem. Nomainiet saliekus vai bojātus asmeņus.

- Skat. ASMEŅU APRŪPES instrukcijas jūsu traktora lietotāja rokasgrāmatā.

⚠️ UZMANĪBU: PIRMS VEIKT JEBKĀDU APKOPI, APKOPIET VAI NOREGULĒJIET:

- Nospiediet sajūga bremzes pedāli pilnībā un iedarbiniet stāvbremzi.
- Ievietojiet pārnesumu pārslēga/ kustības vadības sviru neitrālā stāvoklī (N).
- Ievietojiet sajūga pārslēgu "ATVIENOTS" stāvoklī.
- Pagrieziet aizdedzes atslēgu "OFF (IZSLĒGTS)" stāvoklī.
- Pārliedziniet, ka asmeņi un visas kustīgās detaļas ir pilnīgi apstājušās.
- Atvienojiet aizdedzes sveces vadu (s) no aizdedzes sveces (-ēm) un novietojiet vadu tā, lai tas nevarētu saskarties ar sveci.

⚠️ UZMANĪBU: Zāles savācēja mezgli ir pakļauti nodilšanai, bojājumiem un nolietojumam, kas var atklāt kustīgās detaļas vai ļaut objektiem tikt izmestiem. Bieži pārbaudiet mezglus un, ja nepieciešams, aizvietojiet ar ražotāja ieteiktajām detaļām.

UZGLABĀŠANA

Ja zāles savācējs ir kādu laiku jāuzglabā, kārtīgi to iztīriet, notīriet visus netīrumus, zāli, lapas u.c. Glabājiet tīrā, sausā vietā.

⚠️ UZMANĪBU: Neatstājiet zāli savācēja tvertnēs. Iztukšojiet tvertnes pēc katras lietošanas un pirms glabāšanas. Ja to nedara, var notikt pašai aizdedzēšanai, kas var izraisīt ugunsgrēku.

DROŠĪBAS NOTEIKUMI

Braucamo pašgājēju plāvēju drošas ekspluatācijas noteikumi

SVARĪGI: Šī griešanas mašīna var amputēt kājas un rokas, un mest priekšmetus. sekojoso drošībasinstrukciju neievērošana var izraisīt nopietnus ievainojumus vai nāvi.

I APMĀCĪBA

- Uzmanīgi izlasiet instrukcijas. Iepazīstieties ar vadības sistēmu un to, kā pareizi lietot iekārtu.
- Nekad neļaujiet izmantot zāles plāvēju bērniem vai cilvēkiem, kas nav iepazinušies ar instrukcijām. Vietējie noteikumi var ierobežot iekārtas vadītāja vecumu.
- Nekad neļaujiet zālienu, kad tuvumā atrodas cilvēki, it īpaši bērni, vai dzīvnieki.
- Neaizmirstiet, ka ierīces vadītājs vai lietotājs ir atbildīgs par nelaimes gadījumiem vai radītajām briesmām citiem cilvēkiem vai viņu īpašumam. Nepārvadājiet pasažierus.
- Visiem vadītājiem ir jāapgūst profesionālas un praktiskas instrukcijas. Šīm instrukcijām ir jāakcentē:
 - uzmanības un koncentrēšanās nepieciešamība, strādājot ar braucamajām pašgājēju mašīnām;
 - uz nogāzēm slīdošu braucamo pašgājēju mašīnu kontroli nevar atgūt, piespiežot bremzes.

Galvenie kontroles zaudēšanas iemesli ir sekojoši:

- a) nepietiekama riteņu saķere;
- b) pārāk liels ātrums;
- c) neatbilstošs bremzēšanas veids;
- d) mašīnas modelis neatbilst dotajam uzdevumam;
- e) zemes ceļu, it īpaši nogāžu efekta neapzināšanās;
- f) nepareiza sakabe un kravas izvietojums.

II SAGATAVOŠANĀS

- Pļaujot zālienu, vienmēr valkājiet izturīgus apavus un garas bikses. Nedarbiniet ierīci, ja jums ir kailas kājas vai arī kājās ir sandales.
- Pamatīgi pārbaudiet platību, kur ierīce tiks izmantota, un novāciet visus priekšmetus, ko mašīna var pasviest tālāk.
- BRĪDINĀJUMS – Benzīns viegli uzliesmo.
- Glabājiet degvielu šim nolūkam īpaši paredzētos konteineros.
- Uzpildiet degvielu tikai ārā un degvielas uzpildes laikā nesmēķējiet.
- Pirms motora iedarbināšanas uzpildiet iekārtu ar degvielu. Nekad neņemiet nost benzīna tvertnes vāku un neuzpildiet degvielu, ja motors darbojas vai arī ir karsts.
- Ja benzīns ir izšļakstījies, nemēģiniet iedarbināt dzinēju, tā vietā novietojiet mašīnu tālāk no vietas, kur benzīns ir izšļakstījies, un neizraisiet aizdedzes avotu, kamēr benzīna tvaiki nav izkļūduši.
- Kārtīgi novietojiet atpakaļ visas benzīna tvertnes un aizgrieziet konteineru vākus.
- Nomainiet bojātus klusinātājus.
- Pirms lietošanas vienmēr vizuāli pārbaudiet, vai asmeņi, asmeņu skrūves un frēze nav nolietojušies vai bojāti. Nomainiet nolietotus vai bojātus asmeņus un skrūves komplektos, lai saglabātu līdzsvaru.
- Uzmanieties, rīkojoties ar daudzasmēņu mašīnām, tā kā griežoties vienam asmenim, griežas ar pārējie.

III EKSPLUATĀCIJA

- Nedarbiniet motoru ierobežotā telpā, kur var sakrāties bīstamie oglekļa monoksīda dūmi.

(LV)

- Pļaujiet tikai dienas gaismā vai pie laba mākslīgā apgaismojuma.
- Pirms mēģināt iedarbināt dzinēju, atslēdziet visus asmeņu piederumu kļokus un ielieciet pārnesumu neitrālā ātrumā.
- Nelietojiet mašīnu uz nogāzēm, kas stāvākas par 5°.
- Atcerieties – neviena nogāze nav „droša” nogāze. Esiet īpaši uzmanīgi, kustoties pa zālājiem klātām nogāzēm. Lai pasargātos no apgāšanās:
- Neapstājieties un nesāciet darbināt motoru pēkšņi, braucot augšup vai lejup pa nogāzi.
 - piespiediet sajūgu lēnām, vienmēr atstājot mašīnu pārnesumā, īpaši braucot lejup pa nogāzi;
 - braucot lejup pa nogāzi un asos pagriezienos, pieturieties pie zema ātruma;
 - uzmaniet paugurus, ieplakas un citus apslēptus riskus;
 - nekad neļaujiet šķēršļiem pāri nogāzei, ja vien plāvējs nav paredzēts tieši šādam nolūkam.
- Esiet uzmanīgi, velkot kravas vai izmantojot smago tehniku.
 - Lietojiet tikai ražotāja izvēlētās jūgierces vietas.
 - Pārvadājiet tikai tās kravas, kuras jūs varat droši kontrolēt.
 - Neveiciet asus pagriezienus. Esiet uzmanīgi, braucot atpakaļgaitā.
 - Lietojiet pretsvarus vai riteņu svarus gadījumos, kad tas ir ieteikts lietošanas instrukcijās.
- Šķērsojot vai tuvojoties ielas braucamajai daļai, uzmanieties no satiksmes.
- Apstādiniet asmeņu rotāciju, pirms šķērsojat virsmas, kas nav klātas ar zāli.
- Lietojot jebkādu piederumu, nekad nenovirziet materiālu izvadišanu skatītāju virzienā, kā arī neļaujiet nevienam atrasties tuvumā mašīnas ekspluatācijas laikā.
- Nekad nedarbiniet zāles plāvēju ar bojātu apvalku, aizsargu vai bez drošības aizsardzības iekārtām.
- Nomainiet motora regulatora iestatījumus un nedarbiniet motoru paātrinātā režīmā. Darbinot motoru pārmērīgi ātri, jūs riskējat gūt traumas.
- Pirms atstājat vadītāja pozīciju:
 - atslēdziet jaudas noņemšanas kārbu un nolaidiet piederumus;
 - ielieciet ātrumpārslēgu neitrālā ātrumā un novelciet stāvbremzi.
 - apstādiniet dzinēju un izņemiet atslēgu.
- Apstādiniet komplektējošās iekārtas, apstādiniet dzinēju un atvienojiet aizdedzes sveces vadu(s) vai izņemiet aizdedzes atslēgu
 - pirms tīrīt bloķētas vietas un tekni;
 - pirms pārbaudāt, tīrīt vai darbināt zāles plāvēju;
 - pēc uzdušanas svešķermenim. Pirms atkārtotas iekārtas ieslēgšanas un darbināšanas, pārbaudiet, vai zāles plāvējs nav bojāts un veiciet nepieciešamos labošanas darbus;
 - ja mašīna sāk neparasti vibrēt (pārbaudiet nekavējoties).
- Apstādiniet komplektējošās iekārtas, transportējot mašīnu vai arī, kad tā netiek lietota.
- Apstādiniet dzinēju un apstādiniet komplektējošās iekārtas
 - pirms degvielas uzpildes;
 - pirms zāles savācēja noņemšanas;
 - pirms regulējat augstumu, ja vien regulēšanu nevar veikt no operatora pozīcijas.
- Samaziniet degvielas droseles iestatījumus dzinēja izslēgšanas laikā un, ja, dotā modeļa dzinējs ir apgādāts ar slēgventili, atslēdziet degvielu pļaušanas beigās.

IV APKALPE UN GLABĀŠANA

- Piegrieziet cieši visas skrūves un uzgriežņus, lai iekārta būtu drošā darba stāvoklī.
- Nekad neglabājiet iekārtu, kuras tvertnē ir benzīns, ēkā, kur izgarojumi var saskarties ar uguns liesmu vai dzirksteli.
- Pirms noglabāt iekārtu nožogotā vietā, ļaujiet dzinējam atdzist.
- Lai samazinātu ugunsbīstamību, gādājiet par to, lai dzinējā, akumulatorā un benzīna uzglabāšanas vietā nebūtu zāle, lapas un tie nebūtu pārāk eļļaini.
- Bieži pārbaudiet zāles savācēju, lai pārliedzinātos, ka tas nav nolietojies vai bojāts.
- Drošības nolūkā nomainiet nolietotās vai bojātās detaļas.
- Ja degvielas tvertne ir jāiztukšo, tas jādara ārā.
- Uzmanieties, rīkojoties ar daudzasmēņu mašīnām, tā kā griežoties vienam asmenim, griežas ar pārējie.
- Kad mašīna tiek novietota stāvvietā, noglabāt vai atstāta bez uzraudzības, nolaidiet griešanas līdzekļus, ja vien jūs nelietojat atbilstošu mehānisko slēdzi.

⚠️ BRĪDINĀJUMS: Vienmēr atvienojiet aizdedzes sveces vadu un nolieciet vadu tur, kur tas nevar saskarties ar aizdedzes sveci, lai izvairītos no nejaūšas iedarbināšanas, sagatavojot, transportējot, regulējot vai veicot remontdarbus.

А ИДЕНТИФИКАЦИЯ НА ЧАСТИТЕ

1. Горна част на контейнера
2. Долна част на контейнера
3. Горен ръкав
4. Долен ръкав
5. Капак
6. Индикатор за пълна торба
7. Ключалка на горен ръкав
8. Ключалка на долен ръкав
10. Поддържащо устройство

В ПОДДЪРЖАЩО УСТРОЙСТВО

- a. Вашият трактор вече има четири (4) раменни болта, инсталирани на задната теглителна щанга, така че просто закачете поддържащото устройство за болтовете (1).
- b. За да махнете поддържащото устройство, дръпнете навън спирачната скоба (2), докато поддържащото устройство не се повдигне и отстрани от теглителната щанга.

С ПОКРИВАЩО ПРИСПОСОБЛЕНИЕ (1) КЪМ ПОДДЪРЖАЩО ПРИСПОСОБЛЕНИЕ (2)

ЗАБЕЛЕЖКА: За да се улесните, потърсете помощта на друг човек за качване на покриващото устройство на трактора.

- a. Поставете покриващото устройство на земята зад трактора, както е показано.
- b. Повдигнете и завъртете капака, за да съвпадне покриващата скоба с поддържащото устройство.
- c. Приплъзнете покриващото устройство надолу на поддържащото устройство.

Д УСТРОЙСТВО НА КОНТЕЙНЕРА

- a. Сложете долната половина (1) в горната половина (2).
- b. Сложете единия крак в долната половина и повдигнете горната половина, за да се посрещнат.
- c. Натиснете здраво половините, докато повдигате нагоре и заключете на показаното място.

ВАЖНО: ПРЕДИ ДА ЗАКЛУЧИТЕ ПЕТЕЛКИТЕ (3), ЗАКРИВЕНИТЕ РЪБОВЕ НА ДВЕТЕ ПОЛОВИНИ ТРЯБВА ДА СЕ ПРИПОКРИЯТ, ЗА ДА СЕ ЗАПЕЧАТАТ, КАКТО Е ПОКАЗАНО.

- d. Повторете същото за другите контейнери.

ПРОВЕРКА НА УСТРОЙСТВОТО: Извийте страните на долната половина на контейнера и проверете дали има разстояние между горната и долната половини. Ако се появи разстояние, отключете петелките, за да отделите половините на контейнера и повторете горните инструкции.

Е ПОВДИГАНЕ НА КОНТЕЙНЕРА

- a. Инсталирайте единия контейнер първо от лявата страна (1). Инсталирайте другия контейнер от дясната страна (2).

ЗАБЕЛЕЖКА: Левият край на десния контейнер трябва винаги да се припокрива с десния край на левия контейнер при централно поддържане (3).

- b. Затворете покритието и заключете пантите при дръжката (4) над тръбата на централното поддържане (3).

Ф ПРИКРЕПВАНЕ НА ДОЛНИЯ РЪКАВ

- a. Повдигнете и задръжте дефлекторния предпазител (1) в изправена позиция.
- b. Сложете прореза в долния ръкав над петелката (2) на платформата на косачката и сложете долния ръкав над отвора на платформата, както е показано.
- c. Закачете задната ключалка (3) в дупката на фланеца на гърба на платформата на косачката.
- d. Закачете предната ключалка (4) в дупката на петелката отпред на платформата на косачката.

ВНИМАНИЕ: Не махайте дефлекторния предпазител (1) от косачката. Повдигнете и задръжте предпазителя, когато закачвате долния ръкав и го оставете на ръкава по време на работа.

Г ГОРЕН РЪКАВ

- a. Свалете надолу косачката до най-долната ѝ режеща позиция.
- b. Сглобете горния ръкав (1), като вкарате извития край в дупката на задното покритие (2).
- c. Бутнете навътре и обърнете горния ръкав, докато се изравни с долния ръкав (3).
- d. Припокрийте издаденостите (4) на долния ръкав с прорезите за припокриване (4) на горния ръкав и ги приплъзнете заедно.
- e. Подсигурете с гумена ключалка (5), като закачите дупката на щифта (6).



ПОДСКАЗКИ ЗА ПОДОБРЕНА РАБОТА:

Следвайте инструкциите за работа на косачката в упътването за употреба на Вашия трактор.

Уверете се, че косачката е изравнена за оптимално представяне при работа.

Когато работите с Вашата събирачка на трева по ливада, където не е използван уред за събиране на трева и листа, ще трябва да събирате ръчно насъбралата се от много време слама и остатъци. Събраното количество и цялото време на работа ще е по-обемно, отколкото, ако сте събирали редовно тревата.

- Винаги задействайте дросела при пълна скорост, когато събирате трева.
- Изберете достатъчно ниска скорост, за да постигнете добро рязане на косачката и качествено събиране.

ЗАБЕЛЕЖКА: Може да е необходима припокриването по дължина на рязане, за да е удобно за Вашите условия.

- Ако тревата е прекалено висока, трябва да се окоси два пъти. Първият път значително по-високо и втория път до желаната височина.

- Използвайте лявата страна на косачката при оформяне.

- Пластмасовите торби за отпадъци могат да се сложат в контейнерите за събиране на трева за по-лесно изхвърляне на отпадъците. За отстраняване на пълните пластмасови торби:

- a. Освободете ножовете, преместете в неутрална позиция, задействайте ръчната спирачка и спрете двигателя.

- b. Повдигнете седалката. Отключете и повдигнете капака.

- c. Махнете един по един контейнерите, като ги хващате за дръжките и ги издърпвате назад извън тръбните релси.

- d. След като поставите контейнера на земята, затворете и завържете горната част на пластмасовата торба.

- e. Сложете контейнера на една страна и приплъзнете напълнената торба от контейнера.

- f. Сложете нова пластмасова торба, като краищата са захванати за горния край на контейнера.

- g. Повторете същото с другите контейнери.

- h. Инсталирайте ново контейнерите, като се уверите, че десния контейнер припокрива левия при централната поддръжка.

- j. Затворете капака и заключете при централната поддръжка.

- Избягвайте рязането на мокра трева при сутрешна роса. Събраната при тези условия трева се слепава по стените, като причинява задръстване.

- Вашият багер е снабден с пълен багерен индикатор. Движението на колелата се увеличава с напълването на торбите. Най-бързо колелата се въртят точно преди торбите окончателно да се напълнят. Когато колелата спрат, това показва, че торбите са пълни и ръкавите трябва да са се задръстили.

ЗАБЕЛЕЖКА: За да предотвратите задръстването на ръкавите, проверете/изпразнете торбите, когато колелата се въртят бързо. Опитът ще Ви научи кога е най-доброто време за изпраждане на торбите.

- Трябва да се внимава да не се повредят частите и колелата да се въртят свободно в началото на всяка употреба.

- Ако събирачката на трева откаже да събира отрязаната трева, това показва, че има задръстване в системата или че контейнерите са пълни. Обикновено това се показва чрез спиране на движението на индикатора за пълен багер.

- a. Освободете ножовете, преместете в неутрална позиция, задействайте ръчната спирачка и спрете двигателя.

- Повдигнете седалката. Отключете и повдигнете покритието.

- Издърпайте контейнерите и отстранете отпадъците.

- Сложете контейнерите, затворете покритието и заключете.

- b. Отключете ръкавите и проверете за задръстване.

- Махнете всички отпадъци от ръкавите.

- Сглобете и заключете ръкавите

- c. Проверете, за да се уверите, че индикатора за пълен багер не се е задръстил.

- Дупката, през която минава въздух трябва да е чиста от отпадъци. Внимателно промушете клечка или тел в дупката, за да я изчистите.



ВНИМАНИЕ

- **Не работете със събирачката на трева на косачката, ако е инсталирана отчасти.**

- **Освободете ножовете и спрете двигателя преди да напуснете мястото си на трактора, за да изпразните контейнерите, да изчистите ръкавите и т.н.**

- **Затворете покритието преди започване.**

- **Освободете косачката, когато пресичате пътища, неравни повърхности и други места с опасни предмети.**

- **Не се опитвайте да засмуквате консервни кутии или други опасни метални предмети.**

ОБЩИ ПРЕПОРЪКИ

Винаги съблюдавайте правилата за безопасност, когато извършвате някаква поддръжка.

- Проверявайте за разхлабени връзки преди всяка употреба.

- Почиствайте уреда след всяка употреба.

ГРИЖА ЗА НОЖОВЕТЕ

Поддържайте ножовете винаги остри преди всяка употреба. Сменяйте изтъпените или повредени ножове.

- Вижте инструкциите ГРИЖА ЗА НОЖОВЕТЕ във упътването за употреба на Вашия трактор.

⚠ ВНИМАНИЕ: ПРЕДИ ДА ИЗВЪРШИТЕ КАКВАТО И ДА Е ПОДДРЪЖКА, СЕРВИЗ ИЛИ РЕГУЛИРАНЕ:

- Отпуснете изцяло педала на спирачката и задействайте ръчната спирачка.
- Поставете скоростния/задвижващия лост в неутрална (N) позиция.
- Поставете съединителя на позиция "СВОБОДЕН".
- Завъртете ключа за запалване на позиция "ИЗКЛЮЧЕН".
- Уверете се, че ножовете и всички подвижни части са напълно спрели.
- Откачете кабела(ите) на свещта(ите) и го поставете там, където не може да бъде в контакт с щепсел.

⚠ ВНИМАНИЕ: Частите на уреда се износват, повредят или влошават, които могат да изложат подвижните части от изхвърляне. Често преглеждайте компонентите и ги заменяйте при необходимост с препоръчани от производителя части.

СЪХРАНЯВАНЕ

Когато събирачката на трева трябва да се съхрани за определен период от време, изцяло я изчистете, махнете мръсотията, тревата, листата и др. Съхранявайте на чисто и сухо място.

⚠ ВНИМАНИЕ: Не оставяйте трева в контейнерите на багера. Изпразнете контейнерите след всяка употреба преди съхраняване. Ако не го направите може да се получи спонтанно запалване, което може да доведе до пожар.

УКАЗАНИЯ ЗА БЕЗОПАСНОСТ

Указания за безопасност при работа с роторна косачка

Важно: Тази машина за косене на трева може да отреже ръка или крак, или да среже по паднал в нея предмет. Неспазването на следните указания за безопасност може да доведе до наранявания дори и до смърт.

I. УКАЗАНИЯ ЗА РАБОТА

- Прочетете внимателно следните упътвания за работа. Запознайте се с управлението и правилното използване на съоръжението.
- Никога не допускайте контакт с косачката на деца или лица, които не са запознати с указанията. Местните разпоредби могат да поставят ограничения за възрастта на оператора.
- Никога не косете в близост до хора и особено до деца и домашни животни.
- Имайте предвид, че лицето, което управлява косачката, носи отговорност за нещастните случаи и опасността, застрашаваща други хора или имуществото им.
- Всички шофьори трябва да потърсят и получат професионална и практична инструкция. Такава инструкция трябва да гдчертае:
 - нуждата от грижа и концентрация при работа с движещи се машини;
 - контролът на движещата се машина, когато се движи по наклон не се осъществява с помощта на спирачката.

Основните причини за загуба на контрола са:

- a) недостатъчно сцепление на колелата;
- b) прекалено бързо каране;
- c) неправилно използване на спирачката;
- d) видът на машината е неподходящ за съответната работа;
- e) неосъзнат ефект, който би могъл да бъде предизвикан от състоянието на почвата, особено при наклони;
- f) неправилно регулиране и разпределение на тежестта.

II. ПОДГОТОВКА ЗА РАБОТА

- С цел да се намали риска от пожар – преди употреба, при зареждане с гориво и при приключване на работата по косене – проверете и отстранете натрупванията от остатъчни частици в трактора, косачката и всички останали приспособления.
- По време на работа с косачката винаги носете подходящи обувки и дълги панталони. Не работете боси или обути с отворени сандали.
- Внимателно проверете мястото, където ще се използва съоръжението, и отстранете всички предмети, които могат да бъдат увлечени от машината.
- **ВНИМАНИЕ** – Бензинът е силно запалително вещество.
 - Горивото да се съхранява в специално предназначени за тази цел контейнери.
 - Наливането на гориво да се извършва само на открито, като при това не трябва да се пуши.
 - Наливайте гориво само при предварително изключен двигател. Никога не сваляйте капака на цистерната и не наливайте гориво при ра-ботещ или още топъл двигател.
 - В случай, че се излее навън бензин, никога не правете опит да включите двигателя, а из-теглете машината извън мястото на разлива като избягвате каквито и да е източници на запалване – до разнасянето на бензиновите пари.
 - Затворете грижливо всички капаци на цистер-ната или контейнера.
- Неизправните шумозаглушители да се под-менят с нови.
- Преди употреба на косачката да се провери визуално дали ножовете, винтовете на ножо-вете или комплектно режещо устройство не са износени или повредени. Подменете изно-сените или повредени ножове и винтовете – за запазване на равновесието.



- При машините с повече ножове обърнете осо-бено внимание на изправността им, тъй като при въртенето всеки от ножовете може да повреди останалите.

III. НАЧИН НА РАБОТА

- Не пускайте машината да работи в затво-рено пространство, където може да се получи натрупване на опасния газ въглероден моно-кисл.
- Косете само на дневна светлина или при силно изкуствено осветление.
- Разблокирайте всички ножове и улеи, преди включването на двигателя..
- Не използвайте при наклони по-големи от 5°.
- Запомнете, че няма "безопасен" наклон. Пътуването по тревисти наклони изисква особено внимание. За да не допускате преобръщане;
 - не спирайте и не тръгвайте изведнъж, когато се изкачвате или спускате по хълм;
 - включете бавно съединителя, машината винаги да е на скорост, особено когато се спускате по хълм;
 - скоростите на машината трябва да са ниски по наклоните и по време на трудни завои;
 - внимавайте за издатини и дупки или други скрити опасности;
 - никога на косете през лицевата част на наклона, освен ако този вид косачка не е направена специално за тази цел.
- Внимавайте при телене на тежести или при използване на тежки уреди.
 - Използвайте само доказани теглителни свръзки.
 - Ограничете тежестите до степен, в която можете спокойно да ги контролирате.
 - Не завивайте остро. Внимателно се движете назад.
 - Използвайте контратежести или тежести на колелата, когато това е препоръчано в наръчника с инструкции.
- Внимавайте за движение, когато пресичате или се движите близо до пътища.
- Спрете ножовете преди да пресечете нетревна площ.
- Когато използвате прикачени уреди, никога не разтоварвайте материала в близост до други хора и не допускайте никой до машината по време на работа.
- Никога не работете с косачката с повредени предпазители, защити или без обезопасяващи защитни средства на място.
- Не променяйте настройките на регулатора на двигателя, не форсирайте скоростта. Работа с двигателя при висока скорост може да увеличи опасността от нараняване.
- Преди да напуснете работното място:
 - освободете захранването за тръгване и снижете прикрепените уреди;
 - променете в неутрална позиция и включете ръчната спирачка;
 - спрете двигателя и махнете ключа.
- Освободете прикрепените уреди, спрете двигателя и откачете кабела на свеща или махнете ключа за запалване:
 - преди почистване на задръствания или отпушване на фунията;
 - преди проверка, почистване или работа върху косачката;
 - след събване в чужд обект. Проверете косачката за повреди и поправете преди запалване или работа с уреда;
 - ако машината започне да вибрира необичайно (незабавно проверете).
- Освободете прикачените уреди преди преместване, или когато не ги използвате.
- Спрете двигателя и освободете прикачените уреди:
 - преди зареждане с гориво;
 - преди да махнете захващащото устройство за трева;
 - преди да регулирате височината, освен ако това регулиране не може да бъде направено от мястото на оператора на машината
- Намалете настройката на клапана за времето на изключване и ако двигателят е снабден с кран за гасене, завъртете крана за спиране на горивото след завършване на косенето.

IV. ПОДДРЪЖКА И СЪХРАНЕНИЕ

- Всички гайки, винтове и болтове трябва да бъдат затегнати за осигуряване на безопасни условия за работа с машината.
- Никога не съхранявайте бензин във вътре-шността на сграда, в която парите му могат да попаднат в контакт с открит пламък или искра.
- Преди да приберете косачката, независимо от това къде ще я съхранявате, трябва да оста-вите двигателя да изстине.
- За намаляване на риска от пожар двигателят, шумозаглушителят, мястото на акумулатора и местата за съхранение на бензина да се поддържат свободни от трева, листа или зам-ърсявания с грес.
- Да се проверява редовно кошът за трева за износване или влошаване на състоянието му.
- В интерес на сигурността подменяйте износе-ните или повредени части.
- Ако е необходимо да се изпразни резервоарът за гориво, това трябва да бъде направено н-авън.
- Внимавайте при машините с повече ножове, защото въртенето на едно острие може да предизвика въртенето на останалите.
- Когато трябва да паркирате машината, да я складирате или да я оставите без надзор, снижете режещите устройства, освен ако не използвате сигурно механично заключване.

⚠ ПРЕДУПРЕЖДЕНИЕ: Винаги изключвайте кабела и го поставяйте далече от свеща, за да няма контакт с нея. Това се прави с цел да се избегне случайно включване на машината при настройване, транспортиране, регулиране или ремонт.

A PĂRȚI COMPONENTE

1. Parte superioară container
2. Parte inferioară container
3. Jgheab superior
4. Jgheab inferior
5. Capac
6. Indicator de umplere
7. Dispozitiv de fixare pentru jgheabul superior
8. Dispozitive de fixare pentru jgheabul inferior
10. Ansamblu de susținere

B ANSAMBLUL DE SUSȚINERE

- a. Vehiculul are deja patru (4) șuruburi cu guler pe bara de tracțiune din spate. Potrivii șuruburile în ansamblu de susținere (1).
- b. Pentru a înlătura ansamblul de susținere, trageți de suportul de blocare (2) cât să vă permită să ridicați ansamblul de susținere și să-l detașați de bara de tracțiune.

C ANSAMBLUL DE ACOPERIRE (1) PESTE CEL DE SUSȚINERE (2)

NOTĂ: Pentru o asamblare mai ușoară a capacului pe vehicul, puteți cere ajutorul unei a doua persoane.

- a. Așezați ansamblul de acoperire pe sol în spatele vehiculului conform ilustrației.
- b. Ridicați și rotiți capacul astfel încât să aliniați suportul capacului cu ansamblu de susținere.
- c. Glisați ansamblul de acoperire pe ansamblul de susținere.

D ANSAMBLUL CONTAINERULUI

- a. Așezați jumătatea inferioară (1) înăuntrul celei superioare (2).
- b. Împingeți jumătatea inferioară cu piciorul și trageți-o în sus pe cea superioară.
- c. Apăsați ferm pentru a le îmbina și ridicați partea superioară pentru a o fixa, conform ilustrației.

IMPORTANT: ÎNAINTE DE A BLOCA CLAMELE (3), ASIGURAȚI-VĂ CĂ MARGINILE CURBATE ALE CELOR DOUĂ JUMĂTĂȚI SE ÎMBINĂ CONFORM ILUSTRĂȚIEI.

- d. Repetați operația pentru celelalte containere.

VERIFICAREA ANSAMBLULUI: Apăsați părțile laterale ale jumătății inferioare și asigurați-vă că nu există spațiu între cele două jumătăți. Dacă există, deblocați clamele, separați jumătățile containerului și repetați instrucțiunile de mai sus.

E MONTAREA CONTAINERULUI

- a. Prima dată montați un container în partea stângă (1). Montați-l pe al doilea în partea dreaptă (2).

NOTĂ: Pe suportul central (4), marginea stângă a containerului din dreapta trebuie întotdeauna să cadă peste marginea dreaptă a containerului din stânga.

- b. Trageți capacul în jos și apoi apăsați mânerul de blocare (4) peste țeava centrală de suport (3).

F MONTAȚI JGHEABUL INTERIOR

- a. Ridicați și mențineți deflectorul (1) în poziție verticală.
- b. Aplicați fanta jgheabului inferior peste clama (2) de pe platforma mașinii de tuns iarba și poziționați jgheabului inferior peste deschizătura platformei conform ilustrației.
- c. Introduceți declicul posterior (3) în flanșa din spatele platformei.
- c. Introduceți declicul anterior (4) în flanșa din fața platformei.

ATENȚIE: Nu demontați deflectorul (1). Mențineți deflectorul ridicat în timp ce atașați jgheabul inferior și lăsați-l să cadă peste jgheab în timpul funcționării.

G JGHEABUL SUPERIOR

- a. Coborâți mașina de tuns iarba în poziția cea mai joasă.
- b. Introduceți capătul curbat al jgheabului superior (1) în deschizătura din spatele capacului (2).
- c. Împingeți jgheabul superior și rotiți-l până ce se aliniază cu jgheabul inferior (3).
- d. Aliniați știfturile (4) jgheabului inferior cu deschizăturile (4) de pe jgheabul superior și îmbinați-le.
- e. Introduceți știftul (6) în orificiul dispozitivului de cauciuc (5) pentru a fixa.



SFATURI PENTRU O ÎNSĂCUIRE MAI EFICIENTĂ:

Urmați instrucțiunile de operare a mașinii de tuns iarba din manualul de utilizare.

Asigurați-vă că mașina de tuns iarba se află la nivelul corespunzător pentru o funcționare optimă.

Când folosiți mașina pe o suprafață pe care nu s-a folosit echipament de adunat iarba și frunzele, veți aduna resturile acumulate în lungi perioade de timp. Cantitatea colectată și timpul total de operare pot fi mai mari decât în condiții normale.

- Accelerați întotdeauna la maxim când însăcuți.
- Folosiți o viteză destul de scăzută pentru ca mașina de tuns iarba să taie în mod eficient și pentru o însăcuire performantă.

NOTĂ: Poate fi necesară ajustarea lățimii de tăiere în funcție de condiții.

- a. Dacă iarba este foarte înaltă, trebuie tăiată de două ori. Prima oară la un nivel mai înalt, iar a doua oară la înălțimea dorită.
- b. Pentru nivelări folosiți partea din stânga a mașinii de tuns iarba.
- c. Puteți introduce saci de plastic în containere pentru o mai ușoară eliminare a resturilor adunate. Pentru a scoate sacii de plastic după umplere:
 - a. Oprii lamele, schimbați pe liber, trageți frâna de mână și oprii motorul.
 - b. Ridicați scaunul. Deblocați și ridicați capacul.
 - c. Scoateți câte un container pe rând trăgând de mânere înspre partea dinapoi.
 - d. Așezați containerul pe sol și legați gura sacului.
 - e. Răsturnați containerul pe o parte și trageți sacul afară.
 - f. Puneți în loc un sac gol, cu marginile răsfrânte peste marginea containerului.
 - g. Repetați operația pentru celelalte containere.
 - h. Montați la loc containerele și asigurați-vă că pe suporturile centrale marginea celui din dreapta se suprapune pe cel din stânga.
 - j. Coborâți capacul și acționați dispozitivele de blocare.
- d. Nu tăiați iarba când este udă sau în timpul dimineții, când roua este abundentă. Firele tăiate în aceste condiții se lipeșc de pereții căii de colectare și o pot înfunda.
- e. Mașina este dotată cu un indicator de umplere. Contorul se rotește din ce în ce mai repede pe măsură ce sacii se umplu. Contorul va atinge viteza maxima exact înainte ca sacii să se umple complet. Când se oprește înseamnă că sacii sunt plini, iar jgheaburile sunt înfundate.

NOTĂ: Pentru a evita înfundarea jgheaburilor, verificați/goliți sacii în momentul în care contorul se rotește cu viteză crescută. Veți învăța din experiență care este momentul cel mai potrivit pentru golirea sacilor.

- a. Înainte de folosire asigurați-vă că nu părțile componente nu sunt avariate și verificați dacă se rotește contorul.
- b. Dacă mașina nu adună iarba tăiată sau frunzele înseamnă că sistemul este înfundat sau containerele sunt pline. De regulă, aceste situații sunt indicate de oprirea contorului.
 - a. Oprii lamele, schimbați pe liber, trageți frâna de mână și oprii motorul.
 - Ridicați scaunul. Deblocați și ridicați capacul.
 - Scoateți containerele și aruncați resturile adunate.
 - Montați la loc containerele, coborâți capacul și blocați-l.
 - b. Desprindeți jgheaburile și verificați dacă sunt înfundate.
 - Curățați jgheaburile de resturi.
 - Reasamblați și fixați jgheaburile.
 - c. Asigurați-vă că indicatorul de umplere nu este înfundat.
 - Fanta pentru fluxul de aer trebuie să nu conțină resturi. Curățați-o cu atenție cu ajutorul unei crenguțe.



ATENȚIE

- **Nu folosiți mașina de tăiat iarba dacă mașina de adunat iarba este doar parțial instalată.**
- **Oprii lamele și oprii motorul înainte de a părăsi vehiculul pentru a goli containerele, pentru a desfunda jgheaburile etc.**
- **Coborâți și blocați capacul înainte de folosire.**
- **Oprii mașina de tuns iarba când traversați suprafețe pavate sau cu pietriș sau alte zone în care obiectele de pe sol ar putea constitui un pericol.**
- **Nu încercați să folosiți mașina pentru a aduna cutii metalice sau alte proiectile care pot constitui un pericol.**

RECOMANDĂRI GENERALE

Respectați întotdeauna regulile de siguranță înainte de orice operație de întreținere.

- Înainte de folosire asigurați-vă că nu există șuruburi sau legături slăbite.
- Curățați bine mașina după utilizare.

ÎNTREȚINEREA LAMELOR

Pentru rezultate optime, lamele trebuie să fie mereu ascuțite. A se înlocui lamele îndoite sau avariate.

- Vezi instrucțiunile pentru ÎNTREȚINEREA LAMELOR din manualul de utilizare.

⚠ ATENȚIE: ÎNAINTE DE ORICE OPERAȚIE DE ÎNTREȚINERE, REPARARE SAU AJUSTARE:

- Apăsăți pedala de frână până la podea și trageți frâna de mână.
- Poziționați schimbătorul de viteze pe liber.
- Deconectați ambreiajul.
- Întoarceți cheia de contact în poziția „OPRIT”
- Asigurați-vă că lamele și celelalte componente mobile s-au oprit complet.
- Deconectați firul/firele bujiei/bujiilor și îndepărtați-l(e) astfel încât să nu vină în contact cu bujia/bujiile.

⚠ ATENȚIE: Părțile componente ale mașinii de adunat iarbă se pot uza, avaria și deteriora astfel încât piesele mobile să fie expuse și obiectele să fie aruncate. Verificați frecvent componentele și înlocuiți-le cu piese recomandate de producător dacă este necesar.

DEPOZITARE

Dacă depozitați mașina de adunat iarbă, curățați-o bine, înlăturați complet noroiul, iarbă, frunzele etc. Depozitați-o într-un loc curat și uscat.

⚠ ATENȚIE: Nu lăsați iarbă în containere. Goliți containerele după fiecare utilizare și înainte de depozitare. Nerespectarea acestor condiții poate avea drept consecință o combustie spontană care ar putea duce la incendiu.

REGULI DE SIGURANȚĂ

Practici de Operare Sigură pentru Motocosoare

IMPORTANT: Această mașină de tăiere poate amputa mâinile și a picioarele și poate azvârli obiecte. Nesocotirea următoarelor reguli de siguranță poate duce la accidente grave sau la accidente mortale.

I. ANTRENAMENT

- Citii cu atenție instrucțiunile. Familiarizați-vă cu comenzile și cu utilizarea corectă a echipamentului.
- Nu permiteți niciodată copiilor sau persoanelor nefamiliarizate cu instrucțiunile folosirea motocosoarei. Reglementările locale pot restrânge vârsta operatorului.
- Nu tundeți iarbă când se află persoane în apropiere, mai ales copii sau animale domestice.
- Nu uitați că operatorul sau utilizatorul este responsabil pentru accidentarea sau periclitarea integrității altor persoane sau a proprietăților lor.
- Nu luați pasageri la bord.
- Toți conducătorii trebuie să primească o instruire profesională și practică. Această instruire trebuie să pună accent pe:
 - necesitatea atenției și concentrării când se lucrează cu astfel de mașini;
 - ținerea sub control al acestor mașini, care dacă alunecă pe o pantă, nu se pot redresa prin apăsarea frânei.

Principalele cauze ale scăpării de sub control sunt:

- a) aderența insuficientă a roții;
- b) conducerea cu viteză mare;
- c) frânare neadecvată;
- d) tipul mașinii este nepotrivit sarcinii vizate;
- e) lipsa prevederii privind efectele condițiilor de teren, în special a pantelor;
- f) incorecta încărcare și distribuire a încărcăturii.

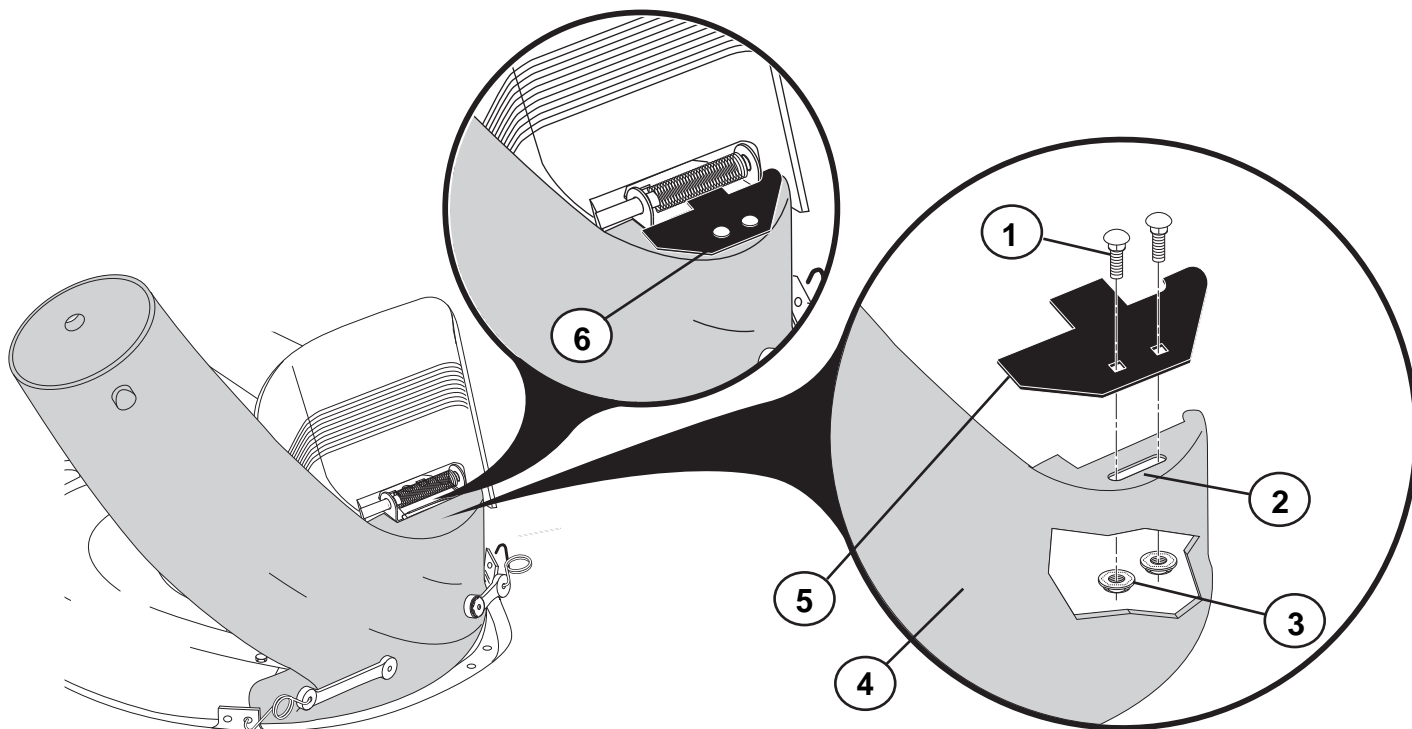
II. PREGĂTIRI

- Pentru a reduce riscul de producere de incendii – înainte de utilizare, în cursul alimentării cu carburant și la sfârșitul fiecărei sesiuni de tuns iarbă – inspectați și înlăturați de pe tractor, de pe mașina de tuns iarbă și din spatele dispozitivelor de siguranță orice acumulări de reziduuri organice
- În timpul cosirii, purtați întotdeauna încălțăminte rezistentă și pantaloni lungi. Nu folosiți desculți sau cu sandale deschise echipamentul.
- Faceți o inspecție amănunțită a suprafeței unde veți utiliza echipamentul pentru a îndepărta toate obiectele care pot fi aruncate de către mașină.
- ATENȚIE – Benzina este foarte inflamabilă.
 - Păstrați carburantul în recipiente special concepute pentru acest scop.
 - Realimentați cu carburant numai în aer liber și nu fumați în timpul realimentării.
 - Alimentarea cu carburant trebuie efectuată înaintea pornirii motorului. Nu îndepărtați niciodată capacul rezervorului sau nu faceți alimentarea cu benzină în timp ce motorul este pornit sau este fierbinte.
 - Dacă s-a vărsat benzină, nu încercați pornirea motorului, ci împingeți mașina mai departe de locul cu pricina și evitați crearea oricărei surse de aprindere, până când vaporii de benzină se evaporă.
 - Înlocuiți rezervoarele și capacele nesigure.
- Înlocuiți tobele defecte.
- Înainte de punerea în funcțiune, faceți întotdeauna o inspecție vizuală pentru a vedea dacă lamele, bolțurile lamelor și ansamblul de tăiere sunt uzate sau deteriorate. Înlocuiți lamele sau bolțurile uzate ori deteriorate în seturi, pentru a păstra echilibrul ansamblului.
- Aveți grijă, deoarece la mașinile cu mai multe lame, rotirea unei lame poate antrena rotirea celorlalte.



III. EXPLOATARE

- Nu puneți în funcțiune motorul în spații strâmte, unde poate avea loc o acumulare periculoasă de monoxid de carbon.
 - Cosiți numai la lumina zilei sau într-un iluminat artificial corespunzător.
 - Înainte de pornirea motorului, eliberați ambreiajele care țin de lame și puneți-le într-o poziție neutră.
 - Nu-l folosiți pe pante cu o înclinare mai mare de 5°.
 - Nu uitați: nu există pante "sigure". Înaintarea pe pante acoperite cu iarbă cere o grijă deosebită. Pentru a evita răsturnarea;
 - nu opriți sau nu porniți brusc când urcați sau coborâți dealul;
 - băgați mașina în viteză cu grijă și lăsați mașina întotdeauna în viteză, mai ales când coborâți o pantă;
 - pe pante sau în viraje strâmte, mașina trebuie să rămână într-o treaptă de viteză inferioară;
 - fiți atent la ridicăturile de pământ și la gropi, precum și la celelalte pericole;
 - nu cosiți niciodată înspre deal, în afară de cazul în care motocosoitoarea este proiectată astfel.
 - Aveți grijă când tractați diferite încărcături sau folosiți un echipament greu.
 - La bara de tracțiune folosiți doar punctele de ancorare aprobate.
 - Limitați încărcătura la cea pe care o puteți controla în mod sigur.
 - Nu faceți viraje strâmte. Aveți grijă când dați cu spatele.
 - În cazurile sugerate în manualul de utilizare, folosiți contragreutăți sau greutatea atașate de roată.
 - Fiți atenți la trafic când traversați un drum public sau vă apropiați de el.
 - Opriți rotirea lamelor când traversați suprafețe care nu sunt acoperite cu iarbă.
 - Atunci când utilizați echipamente adiționale, nu goliți vegetația cosită direct spre persoanele aflate în zonă și nu permiteți nimănui să se apropie de mașină în timpul funcționării ei.
 - Nu acționați motocosoitoarea dacă are apărătoare defecte sau dacă nu are montate echipamentele de protecție.
 - Nu modificați setările care guvernează motorul și nu supraturați motorul. Folosirea unui motor supraturat poate duce la creșterea pericolului de accidentare.
 - Înainte de a părăsi locul operatorului mașinii:
 - decuplați transmisia și coborâți echipamentele atașate;
 - schimbați treapta de viteză în cea neutră și trageți frâna de mână;
 - opriți motorul și scoateți cheia de contact.
 - Decuplați acționarea echipamentelor adiționale, opriți motorul, deconectați cablurile bujiilor sau scoateți cheia de contact
 - înainte de curățirea sau deblocarea jgheburilor;
 - înainte de verificarea, curățirea sau intervenția la motocosoitoare;
 - după ciocnirea cu un obiect străin. Inspectați motocosoitoarea pentru depistarea avariilor și efectuați reparațiile înainte de a reîncepe lucrul și a acționa echipamentul;
 - dacă mașina începe să vibreze în mod anormal (verificați imediat cauza).
 - În timpul transportului sau după folosire decuplați acționarea echipamentului adițional.
 - Opriți motorul și decuplați acționarea echipamentului adițional
 - înainte de realimentare;
 - înainte de îndepărtarea deflectorului de iarbă;
 - înainte de a face reglaje de înălțime, în afară de cazul în care acestea se pot efectua de pe locul operatorului.
 - După oprirea motorului puteți modifica reglajul supapei de admisie, iar dacă motorul este prevăzut cu o supapă de întrerupere, opriți alimentarea cu carburant la terminarea cositului.
- ## IV. ÎNTREȚINERE ȘI PĂSTRARE
- Pentru a fi siguri că echipamentul rămâne în condiții perfecte de funcționare, strângeți bine toate piulițele, bolțurile și șuruburile.
 - Nu lăsați mașina cu benzină în rezervor în clădiri în care vaporii de benzină pot fi aprinși de o flacără neprotejată sau de scântei.
 - Înainte de a lăsa mașina într-un spațiu închis, lăsați să se răcească motorul.
 - Pt. a reduce riscul incendiilor, păstrați motorul, toba de eșapament, compartimentul acumulatorului și locul de păstrare al combustibilului curățate de iarbă, frunze și exces de unsoare.
 - Verificați în mod frecvent uzura sau deteriorarea deflectorului de iarbă.
 - Pt. siguranța Dvs., înlocuiți părțile uzate sau deteriorate.
 - Dacă rezervorul de carburant trebuie golit, acest lucru trebuie făcut în aer liber.
 - Aveți grijă, deoarece la mașinile cu mai multe lame, rotirea unei lame poate antrena rotirea celorlalte.
 - Atunci când mașina trebuie parcată, păstrată sau lăsată fără supraveghere, coborâți agregatul de tăiere, în afara cazului când se folosește un blocaj mecanic adecvat.
- ⚠ ATENȚIONARE:** Deconectați întotdeauna cablul bujiei și amplasați cablul în așa fel încât el să nu poată intra în contact cu bujia, prevenind astfel pornirea accidentală în timpul pregătirilor, transportului, reglajelor fine sau reparațiilor.



- (GB) 1. INSTALLED
2. CARRIAGE BOLTS
3. SLOT
4. REINFORCEMENT PLATE
5. LOWER CHUTE
6. FLANGED LOCKNUTS

- (FR) 1. BOULONS DE CARROSSERIE
2. FENTE
3. ÉCROUS D'ARRÊT À COLLET
4. GOULOTTE INFÉRIEURE
5. PLAQUE DE RENFORT
6. INSTALLÉ

- (IT) 1. BULLONI PORTANTI
2. FERITOIA
3. CONTRODADI FLANGIATI
4. SCIVOLO INFERIORE
5. PIASTRA DI RINFORZO
6. GRUPPO INSTALLATO

- (DE) 1. FLACHRUNDSCHRAUBEN
2. SCHLITZ
3. FLANSCH-SICHERUNGSMUTTERN
4. UNTERE RUTSCHE
5. VERSTÄRKUNGSPLATTE
6. MONTIERT

- (ES) 1. PERNOS DE CABEZA DE HONGO
2. RANURA
3. CONTRATUERCAS CON BRIDA
4. TUBO INFERIOR
5. PLACA DE REFUERZO
6. INSTALADO

- (NL) 1. SLOTBOUTEN
2. SLEUF
3. GEFLENSDE BORGMOEREN
4. ONDERSTE TRECHTER
5. VERSTERKINGSPLAAT
6. GEÏNSTALLEERD

(GB) **LOWER CHUTEREINFORCEMENT PLATE INSTALLATION INSTRUCTIONS:**

1. Align reinforcement plate with slot in lower chute as shown.
2. Install reinforcement plate as shown; secure with carriage bolts and flanged locknuts provided in this kit.
3. Install lower chute to mower deck with reinforcement plate between hinge bracket and spring as shown.

(DE) **MONTAGE DER VERSTÄRKUNGSPLATTE FÜR DIE UNTERE RUTSCHE**

ANWEISUNGEN:

1. Die Verstärkungsplatte laut Abbildung mit dem Schlitz in der unteren Rutsche ausrichten.
2. Die Verstärkungsplatte laut Abbildung montieren und mit den im Lieferumfang enthaltenen Flachrundschauben und Flansch-Sicherungsmuttern sichern.
3. Die untere Rutsche laut Abbildung mit der Verstärkungsplatte zwischen der Scharnierbefestigung und der Feder am Mäherdeck anbringen.

(FR) **INSTALLATION DE LA PLAQUE DE RENFORT DE LA GOULOTTE INFÉRIEURE**

INSTRUCTIONS :

1. Alignez la plaque de renfort à fente dans la goulotte inférieure comme indiqué.
2. Installez la plaque de renfort comme indiqué ;fixez solidement à l'aide des boulons de carrosserie et des écrous d'arrêt à collet fournis dans ce kit.
3. Installez la goulotte inférieure au plateau de coupe de la tondeuse avec la plaque de renfort entre la ferrure d'articulation et le ressort comme indiqué.

(ES) **TUBO INFERIOR INSTALACIÓN DE LA PLACA DE REFUERZO**

INSTRUCCIONES:

1. Alinee la placa de refuerzo con la ranura del tubo inferior como se muestra.
2. Instale la placa de refuerzo como se muestra; fijela con los pernos de cabeza de hongo y lascontratuercas con brida suministradas en este kit.
3. Instale el tubo inferior en la plataforma de la segadora con la placa de refuerzo entre el soporte articulado y el resorte como se muestra.

(IT) **INSTALLAZIONE DELLA PIASTRA DI RINFORZO DELLO SCIVOLO INFERIORE**

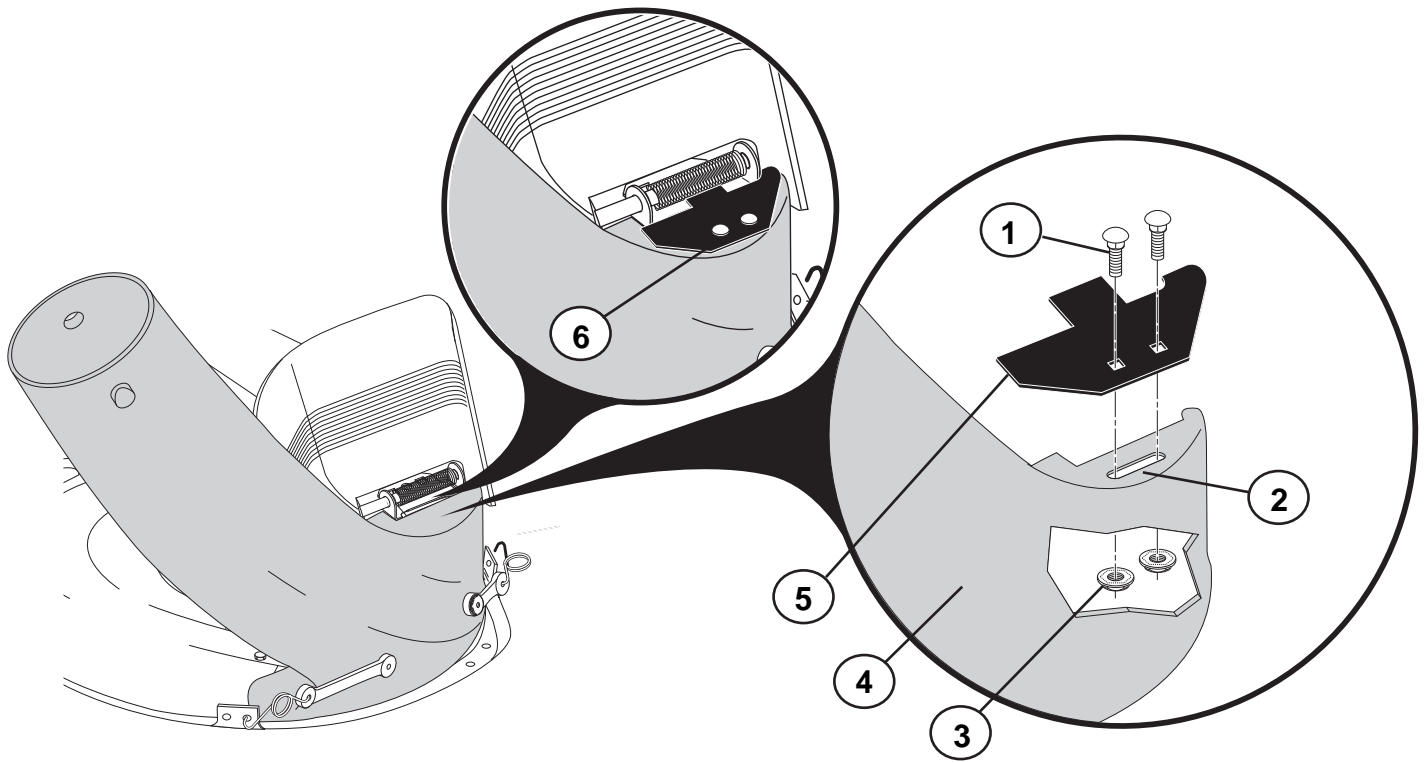
ISTRUZIONI:

1. Allineare la piastra di rinforzo con la feritoia nello scivolo inferiore come illustrato.
2. Installare la piastra di rinforzo come illustrato; fissarla con i bulloni portanti e i controdadi flangiati forniti in questo kit.
3. Installare lo scivolo inferiore sul piano del tosaerba con la piastra di rinforzo tra la staffa cernierata e la molla, come illustrato.

(NL) **ONDERSTE TRECHTER – INSTALLATIE VAN DE VERSTERKINGSPLAAT**

INSTRUCTIES:

1. Plaats de versterkingsplaat over de sleuf in de onderste trechter. Zie afbeelding.
2. Monteer de versterkingsplaat. Zie afbeelding. Bevestig met de meegeleverde slotbouten en geflensde borgmoeren.
3. Monteer de onderste trechter op het maaierdek met de versterkingsplaat tussen de scharnierbeugel en de veer. Zie afbeelding.



- (SE) 1. VAGNSSKRUVAR
2. SKÅRA
3. FLÄNSADE LÅSMUTTRAR
4. NEDRE RÄNNA
5. FÖRSTÄRKNINGSPLÅT
6. MONTERAD

- (DK) 1. BRÆDDEBOLTE
2. SPRÆKKE
3. FLANGELÅSEBOLTE
4. NEDERSTE SLISKE
5. FORSTÆRKNINGSPLADE
6. ISATTE

- (PT) 1. PARAFUSOS DE CABEÇA
2. RANHURA
3. PORCAS DE BLOQUEIO FLANGEADAS
4. CALHA INFERIOR
5. PLACA DE REFORÇO
6. INSTALADO

- (NO) 1. LÅSEBOLTER
2. SPOR
3. FLENSETE LÅSEMUTRE
4. NEDRE STYRTRENNE
5. FORSTERKNINGSPLATE
6. INSTALLERT

- (FI) 1. LUKKOPULTIT
2. URA
3. LAIPOITETUT LUKKOMUTTERIT
4. ALEMPI KOURU
5. VAHVISTUSLEVY
6. ASENNETTU

- (GR) 1. ΜΠΟΥΛΟΝΙΑ ΟΧΗΜΑΤΟΣ
2. ΥΠΟΔΟΧΗ
3. ΠΑΞΙΜΑΔΙΑ ΑΣΦΑΛΙΣΗΣ ΜΕ ΦΛΑΝΤΖΑ
4. ΤΣΟΥΛΗΘΡΑ
5. ΠΛΑΚΑ ΕΝΙΣΧΥΣΗΣ
6. ΕΓΚΑΤΕΣΤΗΜΕΝΗ

(SE) **MONTERING AV FÖRSTÄRKNINGSPLÅT NEDRE RÄNNA
ANVISNINGAR:**

1. Rikta förstärkningsplåten i riktningen med skåran i den nedre rännan enligt guren.
2. Montera förstärkningsplåten enligt bilden; säkra med de vagnskruvar och änsade låsmuttrar som medföljer denna sats.
3. Montera den nedre rännan vid klippdäcket med förstärkningsplåten mellan ledkonsolen och fjädern enligt bilden.

(NO) **INSTALLASJON FORSTERKNINGSPLATE NEDRE
STYRTRENNE
INSTRUKSJONER:**

1. Juster forsterkningsplaten mot sporet i nedre styrtrenne, som vist.
2. Installer forsterkningsplaten, som vist; fest med låsebolter og ensete låsemutre levert med dette settet.
3. Installer nedre styrtrenne på slåmaskinens vaterbord med forsterkningsplaten mellom hengselklamme og fjær, som vist.

(DK) **INSTALLATION AF FORSTÆRKNINGSPLADE NEDERSTE
SLISKE
ANVISNINGER**

1. Placer forstærkningspladen som vist ud for sprækken i den nederste sliske.
2. Sæt forstærkningspladen i som vist; fastgør den med de bræddebolte og angelåsemøtrikker, der er vedlagt i dette sæt.
3. Installer nederste sliske til slåmaskinens dæk som vist med forstærkningspladen mellem hængselklemmen og fjederen.

(FI) **ALEMMAAN KOURUN VAHVISTUSLEVYN ASENNUS
OHJEET:**

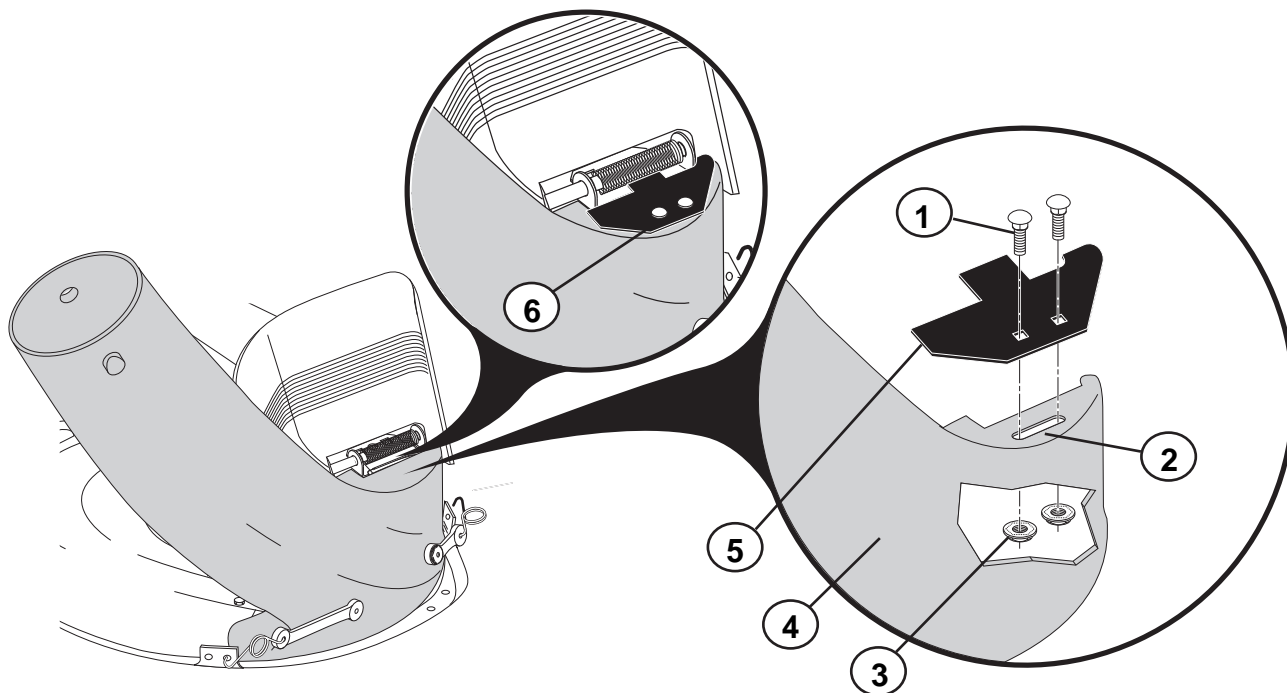
1. Kohdista vahvistuslevy alemmassa kourussa olevaan uraan kuvan osoittamalla tavalla.
2. Asenna vahvistuslevy kuvan osoittamalla tavalla; kiinnitä lukkopultteilla ja laipoitetuilla lukkomuttereilla, jotka kuuluvat varusteisiin.
3. Asenna alempi kouru koneen kanteen siten, että vahvistuslevy tulee saranalevyn ja jousen väliin kuvan osoittamalla tavalla.

(PT) **INSTALAÇÃO DA PLACA DE REFORÇO DA CALHA
INFERIOR
INSTRUÇÕES:**

1. Alinhe a placa de reforço com a ranhura na calha inferior conforme mostrado.
2. Instale a placa de reforço conforme mostrado; xe com parafusos de cabeça e porcas de bloqueio angeadas fornecidos neste conjunto.
3. Instale a calha inferior na cobertura da ceifeira com a placa de reforço entre a plataforma da dobradiça e a mola, conforme mostrado.

(GR) **ΕΓΚΑΤΑΣΤΑΣΗ ΠΛΑΚΑΣ ΕΝΙΣΧΥΣΗΣ ΤΣΟΥΛΗΘΡΑΣ
ΟΔΗΓΙΕΣ:**

1. Ευθυγραμμίστε την πλάκα ενίσχυσης με την υποδοχή στην τσουλήθρα, όπως υποδεικνύεται.
2. Εγκαταστήστε την πλάκα ενίσχυσης, όπως υποδεικνύεται. Ασφαλίστε τη με μπουλόνια οχήματος και παξιμάδια ασφάλισης με φλάντζα, που παρέχονται στο συγκεκριμένο kit.
3. Εγκαταστήστε την τσουλήθρα στο κατάστρωμα του μηχανήματος θερισμού, με την πλάκα ενίσχυσης μεταξύ αρθρωτού βραχίονα και ελατηρίου, όπως παρουσιάζεται στο σχήμα.



- (CZ)**
1. ŠROUBY
 2. OTVOR
 3. POJISTNÉ MATICE S NÁKRUŽKEM
 4. SPODNÍ VÝHOZ
 5. VÝZTUŽNÁ DESKA
 6. PO INSTALACI

- (SI)**
1. NOSILNI VIJAKI
 2. ODPRTINA
 3. PROTIMATICE S PRIROBNICO
 4. SPODNJE IZTRESIŠČE
 5. OJAČITVENA PLOŠČA
 6. NAMEŠČENO

- (SK)**
1. SKRUTKY
 2. OTVOR
 3. POJISTNÉ MATICE S OBJÍMKOU
 4. SPODNÝ VÝSTUP
 5. VÝSTUŽOVÁ DOSKA
 6. PO INŠTALÁCII

- (HR)**
1. VIJCI PRIJENOSA
 2. UTOR
 3. PRIRUBNE PRITEZNE MATICE
 4. DONJA CIJEV
 5. PLOČA ZA POJAČANJE
 6. MONTIRANO

- (PL)**
1. ŚRUBY MOCUJĄCE
 2. OTWÓR
 3. PRZECIWNĄKRĘTKI KOŁNIERZOWE
 4. DOLNA ZSUWNIA
 5. PŁYTA WZMACNIAJĄCA
 6. ZAINSTALOWANO

- (HU)**
1. KAPUPÁNT CSAVAROK
 2. RÉS
 3. PEREMES RÖGZÍTŐANYÁK
 4. ALSÓ CSÚSZDA
 5. MEREVÍTŐ LEMEZ
 6. FELSZERELVE

(CZ) INSTALACE VÝZTUŽNÉ DESKY SPODNÍHO VÝHOZU

POKYNY:

1. Zarovnejte výztužnou desku s otvorem ve spodním výhozu – viz obrázek.
2. Nainstalujte výztužnou desku podle obrázku. Zajistěte šrouby a pojistnými maticemi s nákrůžkem, které jsou součástí této instalační soupravy.
3. Namontujte spodní výhoz na traktor. Výztužná deska spočívá mezi držákem závěsu a pružinou – viz obrázek.

(HR) MONTAŽA PLOČE ZA POJAČANJE DONJE CIJEVI

UPUTE:

1. Poravnajte ploču za pojačanje sa utorom na donjoj cijevi kao što je prikazano.
2. Montirajte ploču za pojačanje kao što je prikazano; pričvrstite sa vijcima prijenosa i priteznim prirubnim maticama koje su priložene u ovom priboru.
3. Montirajte donju cijev na platformu kosilice na takav način da je ploča za pojačanje između nosača šarke i opruge kao što je prikazano.

(SI) NAMESTITEV OJAČITVENE PLOŠČE SPODNJEGA IZTRESIŠČA

NAVODILA:

1. Poravnajte ojačitveno ploščo z odprtino v spodnjem iztresišču, kot je prikazano.
2. Namestite ojačitveno ploščo, kot je prikazano; zavarujte z nosilnimi vijaki in s prirobnimi protimaticami, ki so priložene v tem kompletu.
3. Namestite spodnje iztresišče na pokrov kosilnice z ojačitveno ploščo med nosilec tečaja in vzmet, kot je prikazano.

(PL) INSTALACJA PŁYTY WZMACNIAJĄCEJ DOLNEJ ZSUWNIA

INSTRUKCJE:

1. Wyrównaj płytę wzmacniającą z otworem dolnej zsuwni, jak pokazano na rysunku.
2. Zamontuj płytę wzmacniającą w pokazany sposób, przykręć śrubami mocującymi i przeciwnakrętkami kołnierzowymi dostarczonymi w zestawie.
3. Zamontuj dolną zsuwnię na płycie kosiarki, ustawiając płytę wzmacniającą pomiędzy wspornikiem zawiasu i sprężyną, jak pokazano na rysunku.

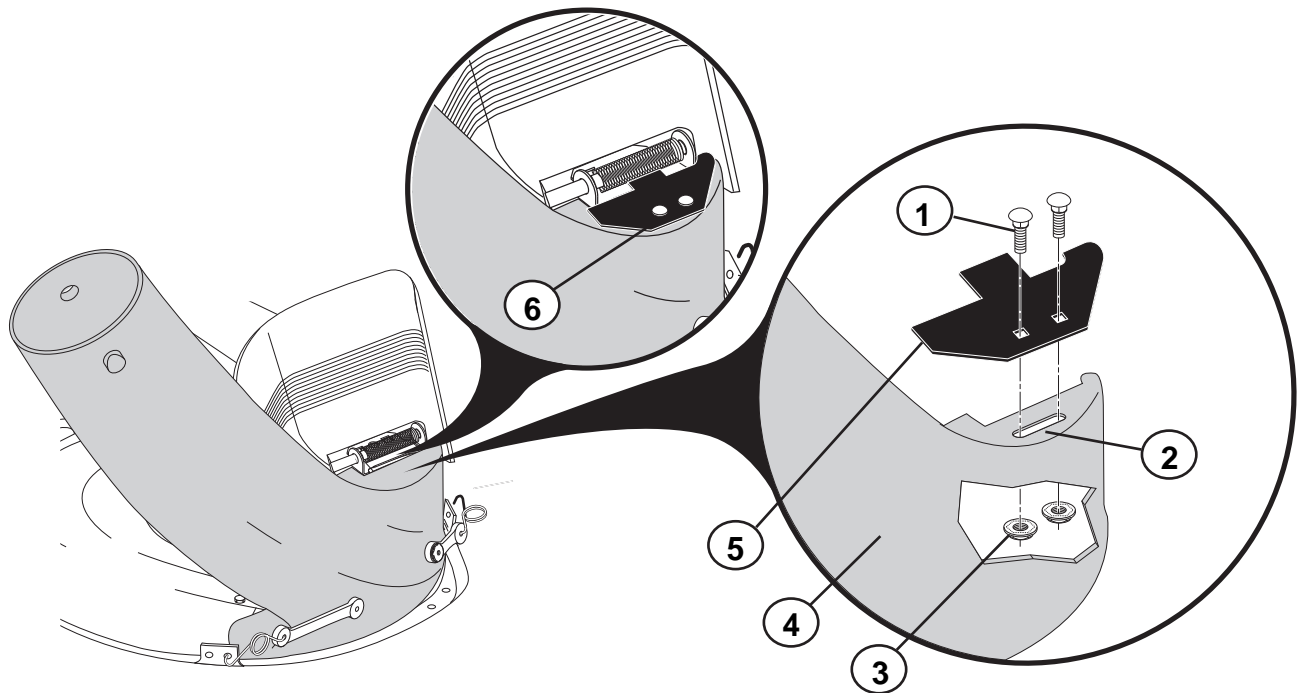
(SK) INŠTALÁCI AVÝSTUŽOVEJ DOSKY SPODNÉHO VÝSTUPU

POKYNY:

1. Zarovnaj výstužovú dosku s otvorom v spodnom výstupe – pozri obrázok.
2. Nainštaluj výstužovú dosku podľa obrázka. Zaisťte skrutky a pojistnými maticami s objímkou, ktoré sú súčasťou tejto inštaláčnej súpravy.
3. Namontuj spodný výstup na traktor. Výstužová doska spočívá medzi držiakom závěsu a pružinou – pozri obrázok.

(HU) ALSÓ CSÚSZDA MEREVÍTŐ LEMEZ FELSZERELÉSE UTASÍTÁSOK:

1. Illeszse a merevítő lemezt a réssel az alsó csúszdába, az ábrán látható módon.
2. Szerelje fel a merevítő lemezt az ábrán látható módon, és rögzítse a készletben található kapupánt csavarokkal és peremes rögzítőanyákkal.
3. Szerelje fel az alsó csúszdát a merevítő lemezzel együtt a fűnyíró burkolatához a kapocs és a rugó közé, az ábrán látható módon.



- (RU)** 1. БОЛТЫ С КВАДРАТНЫМИ ГОЛОВКАМИ
2. УСТАНОВОЧНОЕ ОТВЕРСТИЕ
3. КОНТРАГЙКИ С ФЛАНЦАМИ
4. НИЖНИЙ ВЫБРАСЫВАЮЩИЙ ЖЕЛОБ
5. УСИЛИВАЮЩАЯ ПЛАСТИНА
6. УСТАНОВКА

- (EE)** 1. ÜMARPEAGA POLDID
2. PILU
3. KRAEGA KONTRAMUTRID
4. ALUMINE KALDRENN
5. TUGEVDUSPLAAT
6. PAIGALDATUD

(RU) УСТАНОВКА УСИЛИВАЮЩЕЙ ПЛАСТИНЫ НИЖНЕГО ВЫБРАСЫВАЮЩЕГО ЖЕЛОБА
ИНСТРУКЦИЯ :

1. Совместите усиливающую пластину с установочным отверстием нижнего выбрасывающего желоба, как показано.
2. Произведите установку усиливающей пластины: закрепите ее болтами и контрагйками, которые поставляются в комплекте;
3. Установите нижний выбрасывающий желоб платформу косилки с усиливающей пластиной между шарнирным кронштейном и пружиной как показано на рисунке.

(EE) ALUMISEKALDRENNITUGEVDUSPLAADIPAIGALDMINE JUHISED:

1. Joondate tugevdusplaat alumises kaldrennis oleva piluga, nagu on joonisel näidatud.
2. Paigaldage tugevdusplaat, nagu on näidatud. Kinnitage komplektis olevate ümarpeaga poldide ja kraega kontramutritega.
3. Paigaldage alumine kaldtee niiduki külge nii, et tugevdusplaat oleks liigendi klambrija vedru vahel, nagu on joonisel näidatud.

(LT) APATINIŲ IŠMETIMO VAMZDŽIO STIPRINAMOSIOS PLOKŠTĖS MONTAVIMAS
NURODYMAI:

1. Stiprinamąją plokštę sutaiykite su išėma apatiniame išmetimo vamzdyje, kaip pavaizduota paveikslėlyje.
2. Sumontuokite stiprinamąją plokštę, kaip pavaizduota paveikslėlyje; pritvirtinkite ją varžtais su kvadratiniais pogalviais ir ksavimo veržlėmis su užkarpomis, esančiais šiame detalių rinkinyje.
3. Apatinį išmetimo vamzdį pritvirtinkite prie žoliapjovės važiuoklės taip, kad stiprinamoji plokštė būtų tarp vyrio apkabos ir spyruoklės, kaip pavaizduota paveikslėlyje.

- (LT)** 1. VARŽTAI SU KVADRATINIAIS POGALVIAIS
2. IŠĖMA
3. FIKSAVIMO VERŽLĖS SU UŽKARPOMIS
4. APATINIS IŠMETIMO VAMZDIS
5. STIPRINAMOJI PLOKŠTĖ
6. SUMONTUOTA

- (LV)** 1. BULTSKRŪVES AR PUSFĒRISKU GALVIŅU UN ČETRSTŪRAINU PĀPLAŠINĀJUMU
2. SPRAUGA
3. PRETUZGRIEŽŅI AR ATLOKU
4. NOLAIZAMĀ ČAURULE
5. PASTIPRINĀŠANAS PLĀKSNE
6. UZSTĀDĪTĀ STĀVOKLĪ

- (BG)** 1. КРЕПЕЖНИ БОЛТОВЕ
2. ПРОРЕЗ
3. КОНТРАГЙКИ С ФЛАНЕЦ
4. ДОЛЕН РЪКАВ
5. УСИЛВАЩА ПЛАСТИНА
6. ИНСТАЛИРАНА

- (RO)** 1. ȘURUBURI DE FIXARE
2. ORIFICIU
3. CONTRAPIULIȚE CU FLANȘĂ
4. JGHEAB DE COBORÂRE
5. PLACĂ DE SUSȚINERE
6. MONTAT

(LV) NOLAIZAMĀS ČAURULES PASTIPRINĀŠANAS PLĀKSNES MONTĀŽA
INSTRUKCIJA:

1. Novietojiet pastiprināšanas plāksni, lai tās rievā būtu pret nolaižamo cauruli, kā redzams attēlā.
2. Uzstādiet pastiprināšanas plāksni, kā norādīts; nostipriniet to ar bultskrūvēm un pretuzgriežņiem ar atloku.
3. Piestipriniet nolaižamo cauruli pie plaujmašīnas bloka ar pastiprināšanas plāksni starp šarnīra stiprinājumu un atsperi, kā redzams attēlā.

(BG) МОНТИРАНЕ НА УСИЛВАЩА ПЛАСТИНА НА ДОЛНИЯ РЪКАВ
ИНСТРУКЦИИ:

1. Подравнете усилващата пластина с прореза в долния ръкав, както е показано.
2. Монтирайте усилващата пластина, както е показано; закрепете с крепежните болтове и контрагйките с фланци, предоставени в този комплект.
3. Монтирайте долния ръкав към платформата на косачката, като усилващата пластина е между конзолата с панта и пружината, както е показано.

(RO) INSTALAREA PLĂCII DE SUSȚINERE A JGHEABULUI DE COBORÂRE
INSTRUCȚIUNI:

1. Se centrează placa de susținere pe ori ciul din jgheabul de coborâre, după cum se arată în imagine.
2. Se montează placa de susținere, după cum se arată în imagine; se prinde cu șuruburile de xare și cu contrapiulițele cu anșă din acest kit.
3. Se montează jgheabul de coborâre pe cadrul mașinii de tuns iarba, cu placa de susținere între suportul articulată și resort, după cum se arată în imagine.