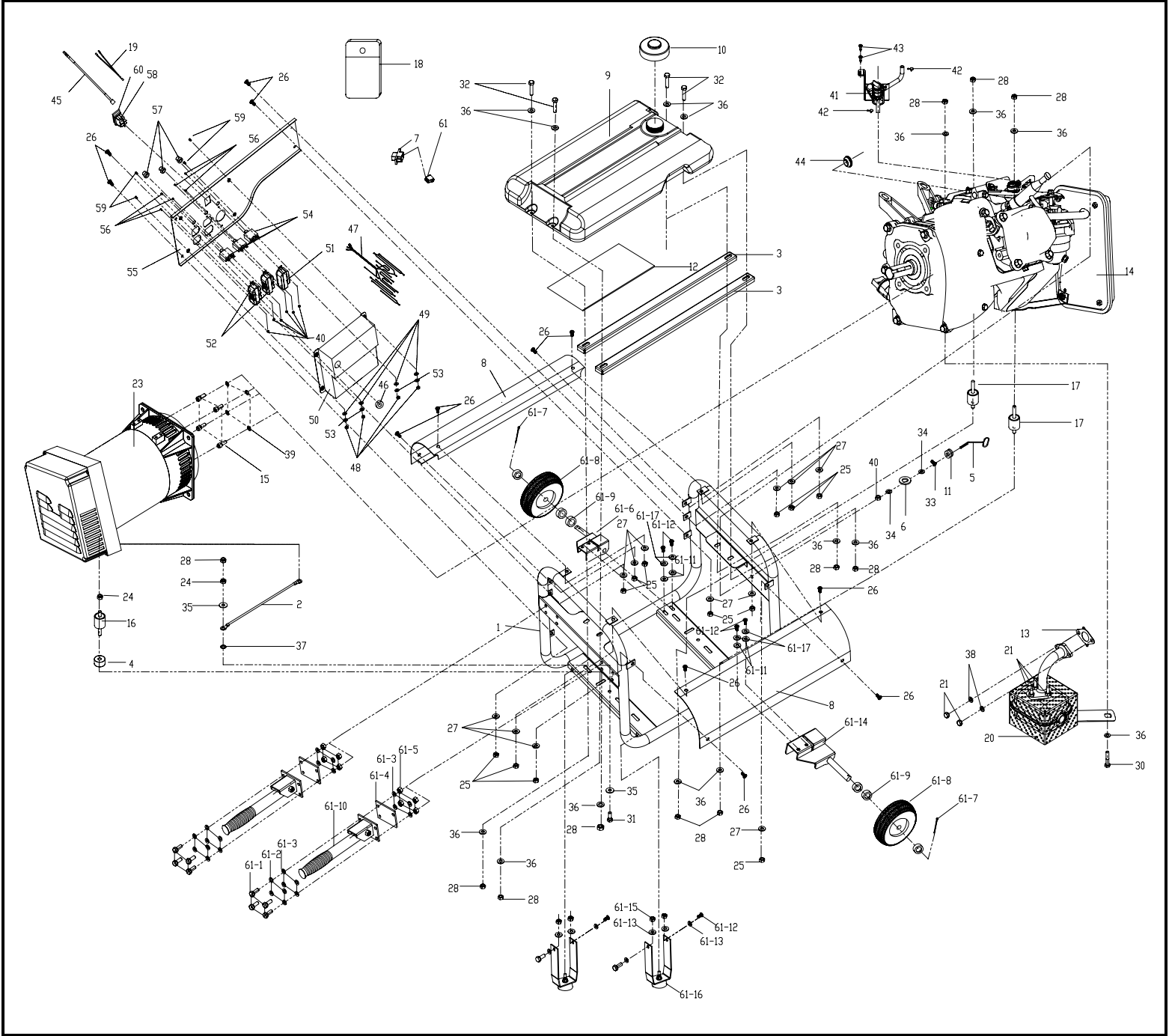
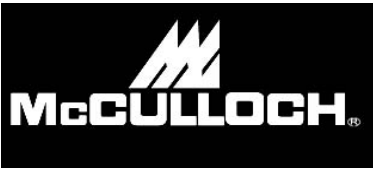


SERVICE SPARE PARTS LIST 11HP FG6000MK

| SPECIFY MODEL NO. WHEN ORDERING PARTS | DATE | REVISED DATE |
|---|------------------|--------------|
| 11 HP GENERATOR | | |
| JENN FENG MODEL NO. FG6000MKUD-C | 27-Feb-06 | |
| MCCULLOCH MODEL NO. FG6000MK | | |





SERVICE SPARE PARTS LIST
11HP FG6000MK

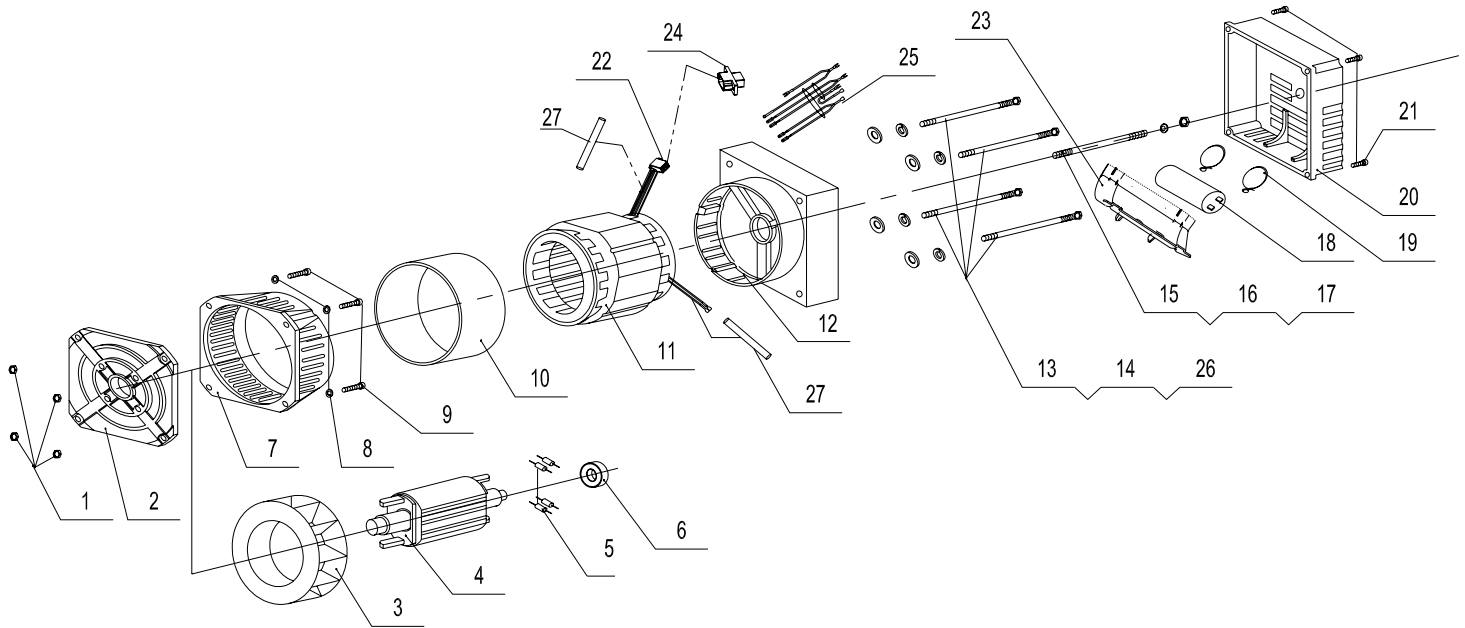
| | | |
|---------------------------------------|------------------|--------------|
| SPECIFY MODEL NO. WHEN ORDERING PARTS | DATE | REVISED DATE |
| 11 HP GENERATOR | 27-Feb-06 | |
| JENN FENG MODEL NO. FG6000MKUD-C | | |
| MCCULLOCH MODEL NO. FG6000MK | | |

| No. | Parts No. | Description | Q | | No. | Parts No. | Description | Q |
|-----|----------------|---------------------------|----|--|-------|-------------|--------------------------|-----|
| 1 | 7005-FG6001 | GENERATOR FRAME | 1 | | 40 | 7NGZ-04 | AUTOLOCK NUT | 7 |
| 2 | 7010-FG3008 | GROUNDING STRAP | 1 | | 41 | 7228-FG6003 | TUBE GROUP | 1 |
| 3 | 7012-FG5701 | TANK SUPPORT BAR | 2 | | 42 | 7036-AT1401 | CLIP | 2 |
| 4 | 7014-FG5701 | PLASTIC SPACER | 1 | | 43 | 7SDAZA03-10 | TAPPING SCREW | 2 |
| 5 | 7023-FG6001 | CHOKE LEVER | 1 | | 45 | 7010-FG3005 | WIRE | 1 |
| 6 | 7043-FG5001 | LEVER STATOR | 1 | | 46 | 7012-FG3001 | RUBBER PLUG | 1 |
| 7 | 7041-FG7001-HU | WIRE SEAT | 1 | | 47 | 7010-FG6013 | WIRE ASS'Y | 2 |
| 8 | 7043-FG6001 | PROTECTOR | 2 | | 48 | 7NAZ-05 | NYLON NUT | 4 |
| 9 | 7066-FG5701 | FUEL TANK | 1 | | 49 | 7WFS-05-10 | FLAT WASHER | 4 |
| 10 | 7067-ES3001 | TANK CAP | 1 | | 50 | 7017-FG6001 | CONTROL PANEL REAR COVER | 1 |
| 11 | 7070-AT1401 | PLASTIC PLUG | 1 | | 51 | 7141-FG5702 | 240V DUPLEX SOCKET | 1 |
| 12 | 7082-FG5701 | HEAT INSULATION PROTECTIO | 1 | | 52 | 7141-FG5701 | 120V DUPLEX SOCKET | 2 |
| 13 | 7082-FG6001 | WASHER | 1 | | 53 | 7WSZ-05 | SPRING WASHER | 4 |
| 14 | 7099-FG6002-E | ENGINE WITH EPA | 1 | | 54 | 7030-AT1403 | CIRCUIT BREAKER | 3 |
| 15 | 7214-FG5701 | HEXAGON BOLT | 4 | | 55 | 7028-FG6002 | CONTROL PANEL | 1 |
| 16 | 7227-FG5701 | ANTI-VIB. ISOLATOR MOUNT | 1 | | 56 | 7SGAZ-04-12 | SCREW | 6 |
| 17 | 7227-FG5702 | ANTI-VIB. ISOLATOR MOUNT | 2 | | 57 | 7077-AT1401 | WATERPROOF COVER | 1 |
| 18 | 7228-FG5003 | TOOL BAG | 1 | | 58 | 7022-AT1403 | ON/OFF SWITCH | 1 |
| 19 | 7010-FG3001 | THREE TIE-IN WIRE | 1 | | 59 | 7SVAZ-05-20 | SCREW | 4 |
| 20 | 7228-FG6002 | EXHAUST MUFFLER GROUP | 1 | | 60 | 7077-AT1402 | WATERPROOF COVER | 3 |
| 21 | 7NHC-08-QJ | NUT | 5 | | 61 | 7228-FG6018 | WHEEL AND HANDLE ASSY | 1 |
| 23 | 7265-EC6004 | ALTERNATOR | 1 | | 61-1 | 7SXDZ-06-25 | HEXAGON BOLT | 8 |
| 24 | 7NAZ-08 | HEXAGON NUT | 2 | | 61-2 | 7WSZ-06 | SPRING WASHER | 8 |
| 25 | 7NGZ-06 | AUTOLOCK NUT | 12 | | 61-3 | 7WFZ-06-12 | FLAT WASHER | 16 |
| 26 | 7STCZ-06-16 | TANK SUPPORTER LEFT | 12 | | 61-4 | 7161-FG6007 | HANDLE SEAT PLATE | 2 |
| 27 | 7WFZ-06-24 | FLAT WASHER | 12 | | 61-5 | 7NAZ-06 | HEXAGON BOLT | 8 |
| 28 | 7NGZ-08 | AUTOLOCK NUT | 11 | | 61-6 | 7228-FG6005 | WHEEL BRACKET | 1 |
| 29 | 7041-FG7002-HU | WIRE SEAT | 1 | | 61-7 | 7PB04-40 | UNLOCKED PIN | 2 |
| 30 | 7SXDZ-08-40 | HEXAGON BOLT | 1 | | 61-8 | 7137-FG6002 | WHEEL | 2 |
| 31 | 7SXDZ-08-30 | HEXAGON BOLT | 1 | | 61-9 | 7014-FG6001 | NYLON WASHER | 6 |
| 32 | 7SXDZ-08-35 | HEXAGON BOLT | 4 | | 61-10 | 7228-FG6026 | HANDLE ASS'Y | (1) |
| 33 | 7SGAZ-04-16 | SCREW | 1 | | 61-11 | 7WFZ-08-24 | FLAT WASHER | 4 |
| 34 | 7WFZ-04-16 | FLAT WASHER | 2 | | 61-12 | 7SXDZ-08-25 | HEXAGON BOLT | 8 |
| 35 | 7WFZ-08-16 | FLAT WASHER | 2 | | 61-13 | 7WFZ-08-16 | FLAT WASHER | 8 |
| 36 | 7WFZ-08-24 | FLAT WASHER | 15 | | 61-14 | 7228-FG6006 | WHEEL BRACKET | 1 |
| 37 | 7WOZ-08 | LOCK WASHER | 1 | | 61-15 | 7NGZ-08 | AUTOLOCK NUT | 4 |
| 38 | 7WSC-08-QJ | SPRING WASHER | 2 | | 61-16 | 7228-FG6027 | SUPPORT LEG | (1) |
| 39 | 7WSB-10 | SPRING WASHER | 4 | | 61-17 | 7WSB-08 | SPRING WASHER | 4 |



**SERVICE SPARE PARTS LIST
11HP FG600MK**

| | | | |
|---------------------------------------|-------------|-----------|--------------|
| SPECIFY MODEL NO. WHEN ORDERING PARTS | | DATE | REVISED DATE |
| ALTERNATOR | | 27-Feb-06 | |
| MODEL NO. | 7265-EC6004 | | |



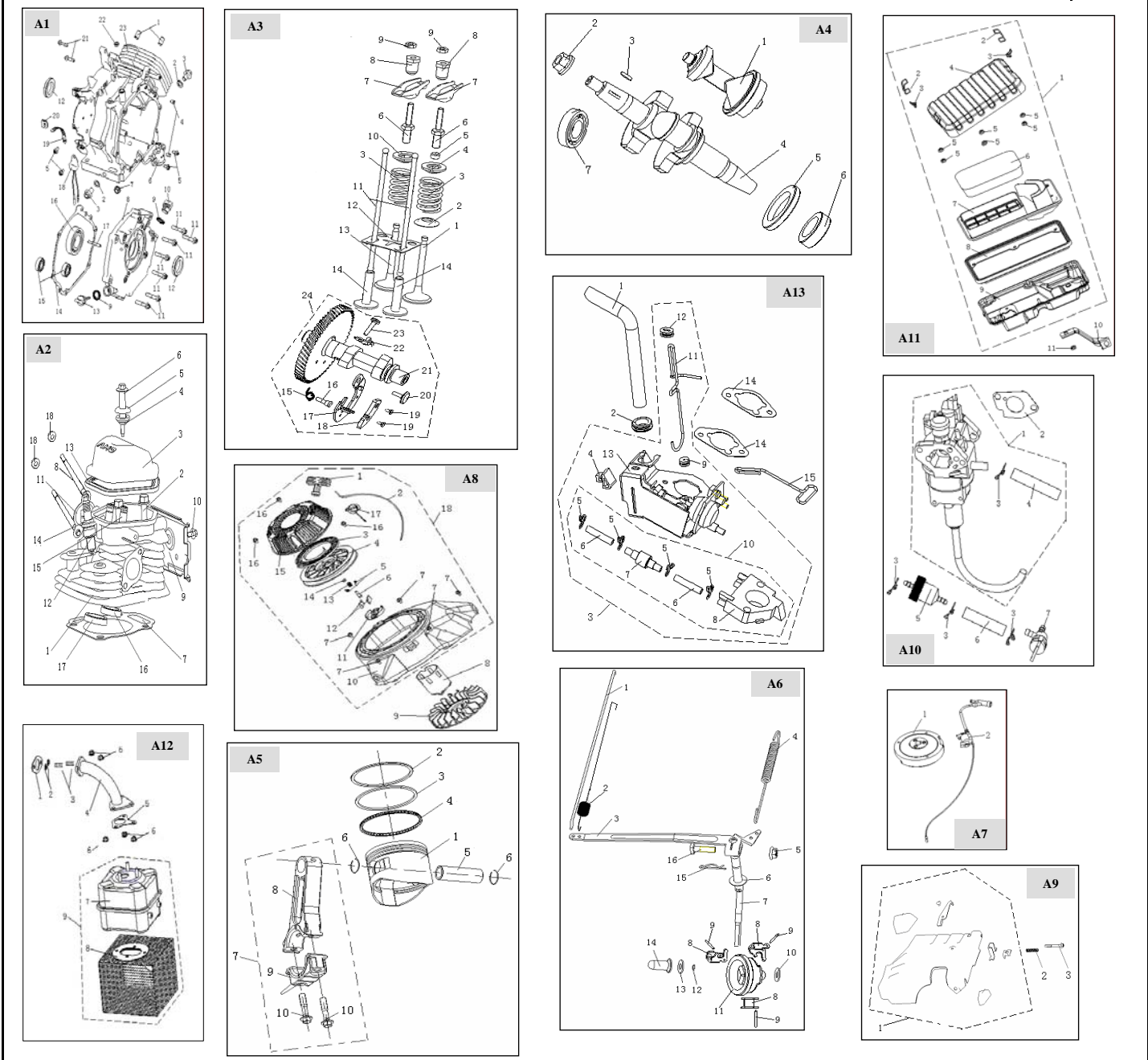
| No. | Parts No. | Description | Q | No. | Parts No. | Description | Q |
|-----|-------------|------------------------|---|-----|----------------|--------------------|---|
| 1 | 7NAZ-08 | NUT | 4 | 15 | 7191-EG6002 | SCREW | 1 |
| 2 | 7040-EG6001 | FLANGE | 1 | 16 | 7014-EG6001 | WASHER | 1 |
| 3 | 7169-EG6001 | FAN | 1 | 17 | 7NAZ-08 | NUT | 1 |
| 4 | 7275-EG6001 | ROTOR | 1 | 18 | LIST 1 | CAPACITOR | 1 |
| 5 | 7204-EG6001 | DIODE | 2 | 19 | 7032-200-02 | CAPACITOR FASTENER | 2 |
| 6 | 7155-EG6001 | BEARING | 1 | 20 | 7003-FG6001 | ALTERNATOR COVER | 1 |
| 7 | 7067-EG6001 | DRIVER END BRACKET | 1 | 21 | 7SVAZ-05-10 | SCREW | 4 |
| 8 | 7WSC-08-QJ | SPRING WASHER | 4 | 22 | 7041-FG7002-HU | CONNECTOR-MALE | 1 |
| 9 | 7SACZ-08-30 | SCREW | 4 | 23 | 7072-EG3001 | CAPACITOR SHELF | 2 |
| 10 | 7002-EG6001 | ENCLOSING BAND | 1 | 24 | 7041-FG7001-HU | CONNECTOR-FEMALE | 1 |
| 11 | 7267-EG6001 | STATOR | 1 | 25 | 7010-EG3001 | ELECTRICAL WIRE | 1 |
| 12 | 7067-EG6002 | NON DRIVER END BRACKET | 1 | 26 | 7WFZ-08-16 | FLAT WASHER | 1 |
| 13 | 7191-EG6001 | BOLT | 4 | 27 | 7059-EG7001 | WIRE PROTECTOR | 2 |
| 14 | 7WSZ-08 | SPRING WASHER | 4 | | | | |

| | |
|-------------|-----------------|
| 7153-FG5001 | 24 µf CAPACITOR |
| 7153-FG6001 | 26 µf CAPACITOR |
| 7153-FG6002 | 28 µf CAPACITOR |

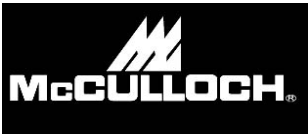
SERVICE SPARE PARTS LIST

11HP FG6000MK

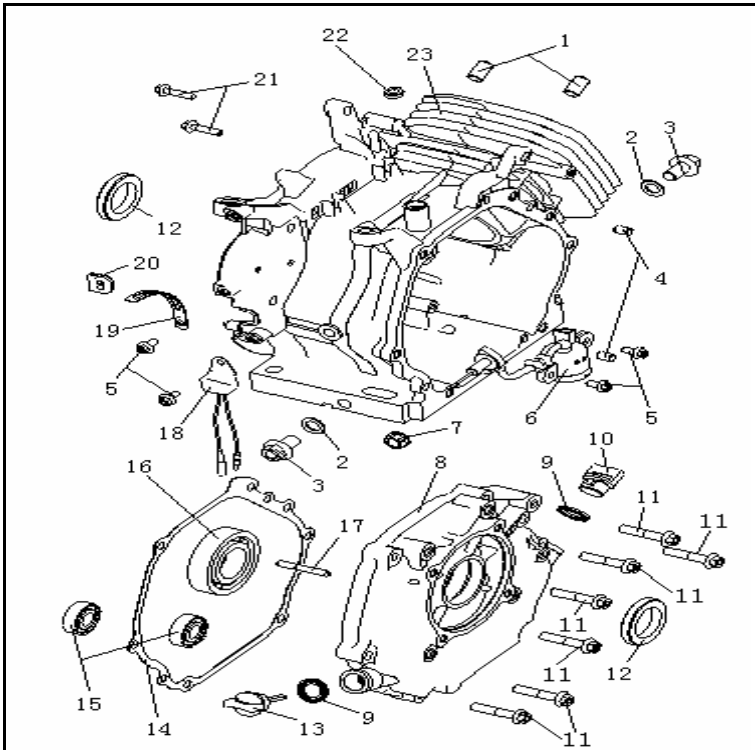
| | | |
|---------------------------------------|----------------------|--------------|
| SPECIFY MODEL NO. WHEN ORDERING PARTS | DATE | REVISED DATE |
| ENGINE | 27-Feb-06 | |
| MODEL NO. | 7099-FG6002-E | |



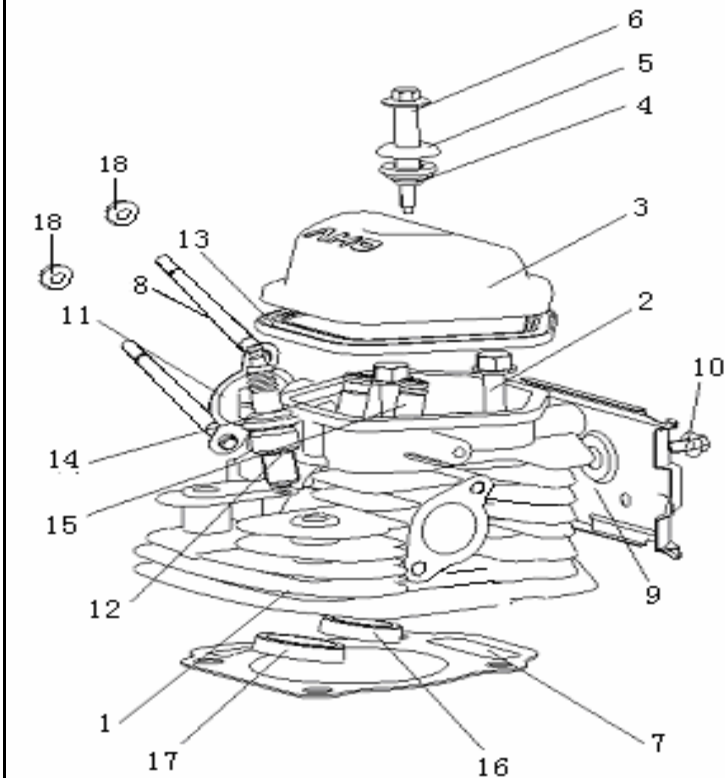
| No. | Parts No. | Description | Q | No. | Parts No. | Description | Q |
|-----|-------------|----------------------------|---|-----|-------------|--------------------------|---|
| A1 | 0QJ188FPH01 | CRANKCASE ASSEMBLY | 1 | A8 | 0QJ182QDP07 | STARTER & BLOWER HOUSING | 1 |
| A2 | 0QJ188FPH02 | CYLINDER HEAD ASSEMBLY | 1 | A9 | 0QJ182QDP08 | ENGINE CONTROL ASSEMBLY | 1 |
| A3 | 0QJ188FPH03 | CAMSHAFT & VALVES | 1 | A10 | 0QJ188FPH05 | CARBURETOR ASSEMBLY | 1 |
| A4 | 0QJ182QDP03 | CRANKSHAFT & BALANCE SHAFT | 1 | A11 | 0QJ182QDP10 | AIR FILTER ASSEMBLY | 1 |
| A5 | 0QJ188FPH04 | CONNECTING ROD & PISTON | 1 | A12 | 0QJ182QDP11 | MUFFLER ASSEMBLY | 1 |
| A6 | 0QJ182QDP05 | GOVERNOR COMPONENTS | 1 | A13 | 0QJ188FPH06 | AUTOCHOKE VALVE ASSEMBLY | 1 |
| A7 | 0QJ182QDP06 | IGNITION SYSTEM | 1 | | | | 1 |



**SPARE PARTS LIST
11HP FG6000MK**



| A1 | | CRANKCASE ASSEMBLY | |
|-------|---------------|------------------------------|---|
| No. | Parts No. | Description | Q |
| 1 | 014206Q01F000 | BUSH, LOCATING | 2 |
| 2 | 026203J01F000 | SEAL-OIL DRAIN PLUG | 2 |
| 3 | 026202J01F000 | OIL DRAIN PLUG | 2 |
| 4 | 026208G03F000 | DOWEL PIN | 2 |
| 5 | 0B01070601262 | BOLT M6X12 | 4 |
| 6 | 026350Q01F000 | FLOAT ASSEMBLY-LOW OIL LEVEL | 1 |
| 7 | 015230J03F000 | NUT | 1 |
| 8&16 | 014000Q10F000 | COVER ,CRANKCASE | 1 |
| | 0B12016620750 | BEARING 6207 | 1 |
| 9 | 026132K07F000 | SEAL-OIL FILL PLUG | 2 |
| 10 | 026131K07F000 | OIL FILL PLUG | 1 |
| 11 | 0B01070804062 | BOLT M8X40 | 7 |
| 12 | 026133Q01F000 | OIL SEAL | 2 |
| 13 | 014216K07F000 | OIL LEVEL DIPSTICK | 1 |
| 14 | 026201Q01F000 | GASKET-CRANKCASE COVER | 1 |
| 15&23 | 0B12016620250 | BEARING 6202 | 2 |
| | 026001Q10F000 | CRANKCASE ASSEMBLY | 1 |
| 17 | 014202Q01F000 | PIN | 1 |
| 18 | 026450Q01F000 | LOW OIL SWITCH | 1 |
| 19 | 014220Q01F000 | CLIP CORD | 1 |
| 20 | 026125Q01F000 | SEAL GASKET, RUBBER | 1 |
| 21 | 0B01070602562 | BOLT M6X25 | 2 |
| 22 | 026229Q01F000 | OIL SEAL | 1 |

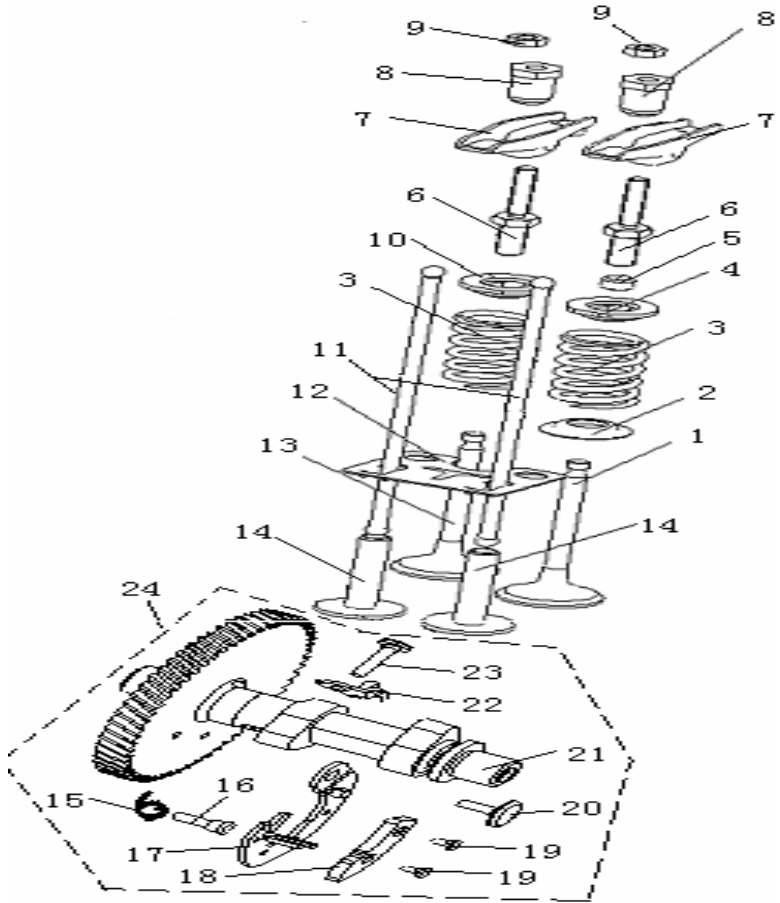


| A2 | | CYLINDER HEAD ASSEMBLY | |
|--|---------------|----------------------------|---|
| No. | Parts No. | Description | Q |
| 1 | 030730Q01F000 | CYLINDER HEAD ASSEMBLY | 1 |
| CYLINDER HEAD ASSEMBLY INCLUDES VALVE SEATS AND GUIDES. SEATS (16 & 17) AND GUIDES (14 & 15) CAN NOT BE PURCHASED SEPARATELY! | | | |
| 14 | 030109Q01F000 | GUIDE, INTAKE VALVE | 1 |
| 15 | 030207Q01F000 | GUIDE, EXHAUST VALVE | 1 |
| 16 | 030206Q01F000 | SEAT, EXHAUST VALVE | 1 |
| 17 | 030110Q01F000 | SEAT, INTAKE VALVE | 1 |
| 2 | 030504Q01F000 | BOLT, CYLINDER HEAD | 4 |
| 3 | 030700Q01F000 | COVER-ROCKER ARM | 1 |
| 4 | 030522Q01F000 | SPACER, SEAL | 1 |
| 5 | 030538Q01F920 | CLAMP | 1 |
| 6 | 030502Q01F920 | BOLT | 1 |
| 7 | 030503Q01F000 | GASKET-CYLINDER HEAD | 1 |
| 8 | 030520Q01F910 | BOLT, INTAKE PIPE | 2 |
| 9 | 020301Q01F000 | CYLINDER COWLING | 1 |
| 10 | 0B01070601262 | BOLT M6X12 | 1 |
| 11 | 030715Q01F000 | GASKET-INTAKE PIPE TO HEAD | 1 |
| 12 | 030506Q01F910 | SPARK PLUG | 1 |
| 13 | 030702Q01F000 | GASKET-ROCKER ARM COVER | 1 |
| 18 | 0B04070600062 | NUT M6 | 2 |

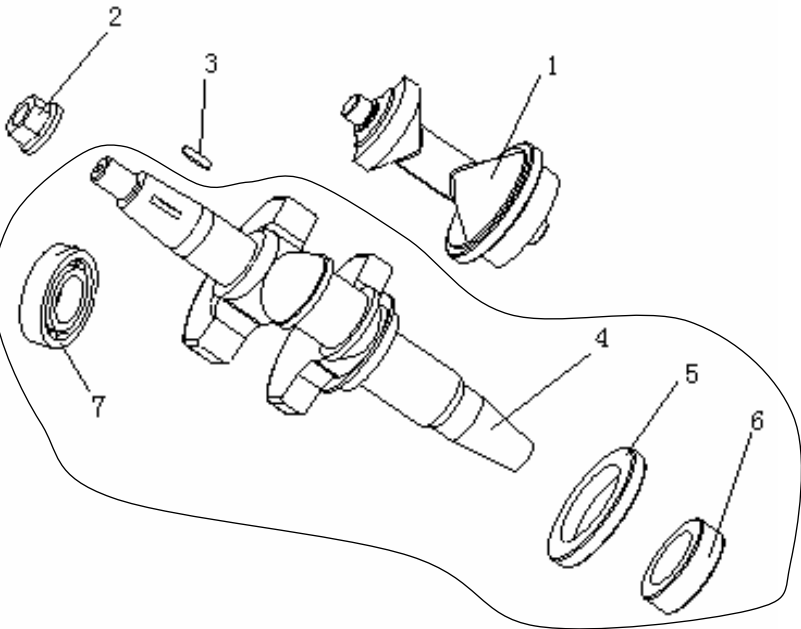
| REVISION | DATE |
|----------|-----------|
| | 27-Feb-06 |



**SPARE PARTS LIST
11HP FG6000MK**



| A3 | | CAMSHAFT & VALVES | |
|--|---------------|------------------------------|---|
| No. | Parts No. | Description | Q |
| 1 | 030201Q01F000 | EXHAUST VALVE | 1 |
| 2 | 030105Q01F000 | LOWER RETAINER | 1 |
| 3 | 030101Q01F930 | VALVE SPRING | 2 |
| 4 | 030106Q01F000 | EXHAUST VALVE SPRING RETAIN | 1 |
| 5 | 030214Q01F000 | VALVE ROTATOR | 1 |
| 6 | 030303Q01F000 | PIVOT BOLT | 2 |
| 7 | 030301Q01F000 | VALVE ROCKER ARM | 2 |
| 8 | 030313Q01F000 | ROCKER ARM PIVOT | 2 |
| 9 | 030302Q01F930 | PIVOT ADJUSTING NUT | 2 |
| 10 | 030203Q01F000 | INTAKE VALVE SPRING RETAINER | 1 |
| 11 | 030230Q01F000 | PUSH ROD | 2 |
| 12 | 030231Q01F000 | PUSH ROD GUIDE PLATE | 1 |
| 13 | 030103Q01F000 | INTAKE VALVE | 1 |
| 14 | 030312Q01F000 | VALVE LIFTER | 2 |
| 15 | 030605Q01F000 | SPRING | 1 |
| 16 | 030608Q01F000 | PIN I | 1 |
| 17 | 030611Q01F000 | FLY WEIGHT 1 | 1 |
| 18 | 030612Q01F000 | FLY WEIGHT 2 | 1 |
| 19 | 030607Q01F000 | PIN IV | 2 |
| 20 | 030609Q01F000 | PIN II | 1 |
| 21 | 030401Q01F000 | CAMSHAFT | 1 |
| 22 | 030600Q01F000 | DECOMPRESS LIFTER | 1 |
| 23 | 030613Q01F000 | PIN III | 1 |
| CAN'T BUY NO. 15-23 SOLELY. (PLS PURCHASE NO. 24) | | | |
| 24 | 030400Q01F000 | CAMSHAFT COMP. | 1 |

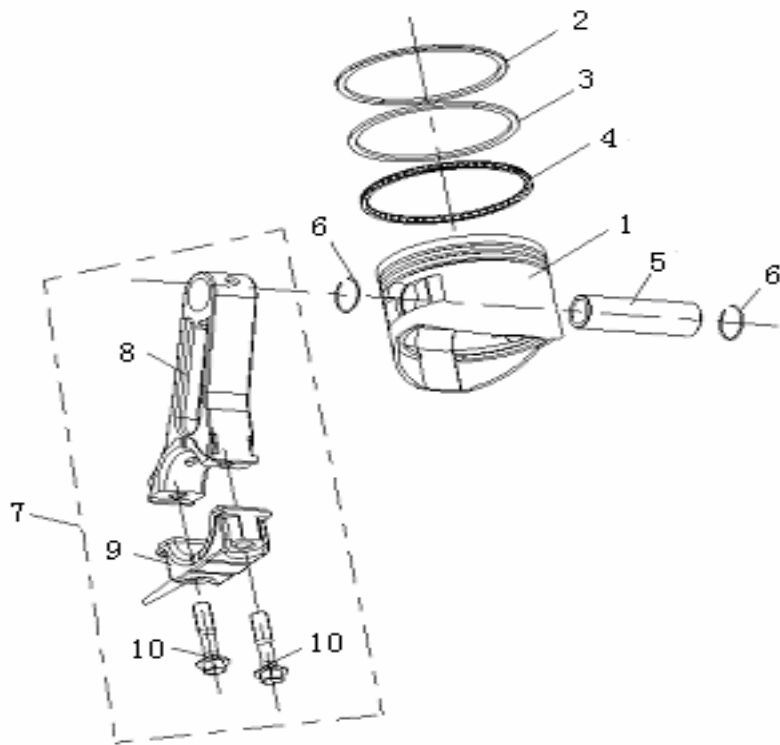


| A4 | | CRANKSHAFT ASSEMBLY, V TYPE | |
|-----|---------------|-----------------------------|---|
| No. | Parts No. | Description | Q |
| 1 | 015239Q01F000 | BALANCE SHAFT | 1 |
| 2 | 015230Q01F910 | NUT, FLYWHEEL | 1 |
| 3 | 015116Q01F000 | WOODRUFF KEY, FLYWHEEL | 1 |
| 4-7 | 015201Q03F000 | CRANKSHAFT | 1 |
| | 015207Q01F000 | CRANKSHAFT GEAR 1 | 1 |
| | 015237Q01F000 | CRANKSHAFT GEAR 2 | 1 |
| | 0B12016620750 | BEARING 6207 | 1 |

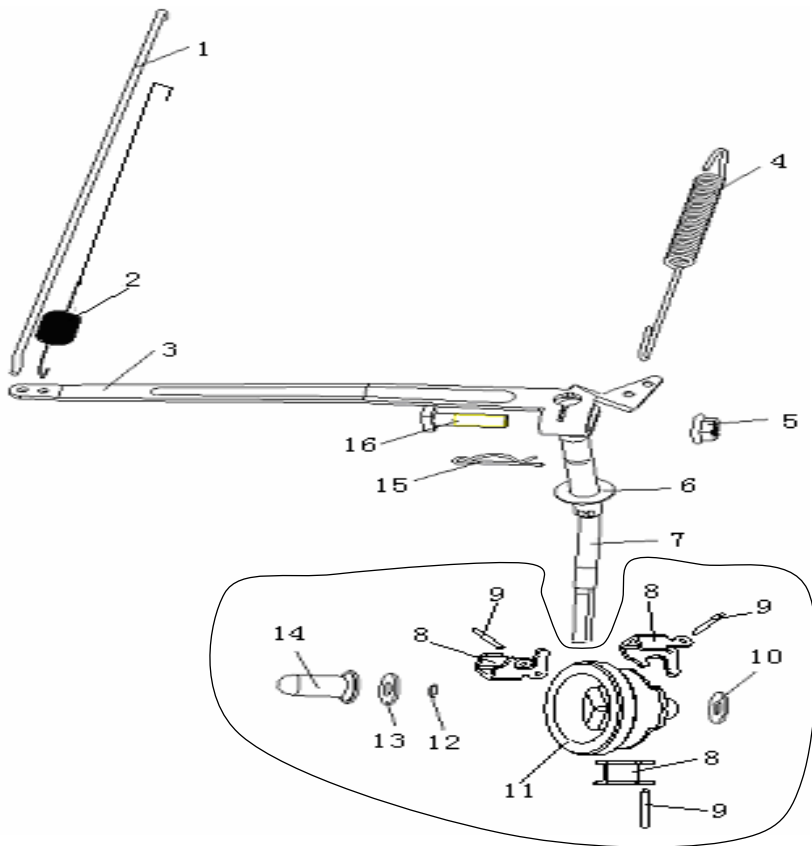
| REVISION | DATE |
|----------|------------------|
| | 27-Feb-06 |



**SPARE PARTS LIST
11HP FG600MK**



| A5 | | CONNECTING ROD & PISTON | |
|--|---------------|----------------------------------|---|
| No. | Parts No. | Description | Q |
| 1 | 015100Q01FF10 | PISTON | 1 |
| 2 | 015103Q01F940 | RING 1ST | 1 |
| 3 | 015104Q01F000 | RING 2ND | 1 |
| CAN'T BUY NO. 2-3 SOLELY. (PLS PURCHASE NO. 4) | | | |
| 4 | 015300Q01F000 | RING SET COMPLETE (ref. 2, 3, 4) | 1 |
| 5 | 015105Q01F000 | PIN, PISTON | 1 |
| 6 | 015106Q01F930 | CIRCLIP | 2 |
| 7 | 015130Q01F000 | CONNECTING ROD COMPLETE | 1 |
| CAN'T BUY NO. 8-10 SOLELY. (PLS PURCHASE NO. 7) | | | |
| 8 | 015131Q01F000 | CONNECTING ROD | 1 |
| 9 | 015132Q01F000 | CONNECTING ROD CAP | 1 |
| 10 | 015133Q01F930 | CONNECTING ROD BOLT | 2 |

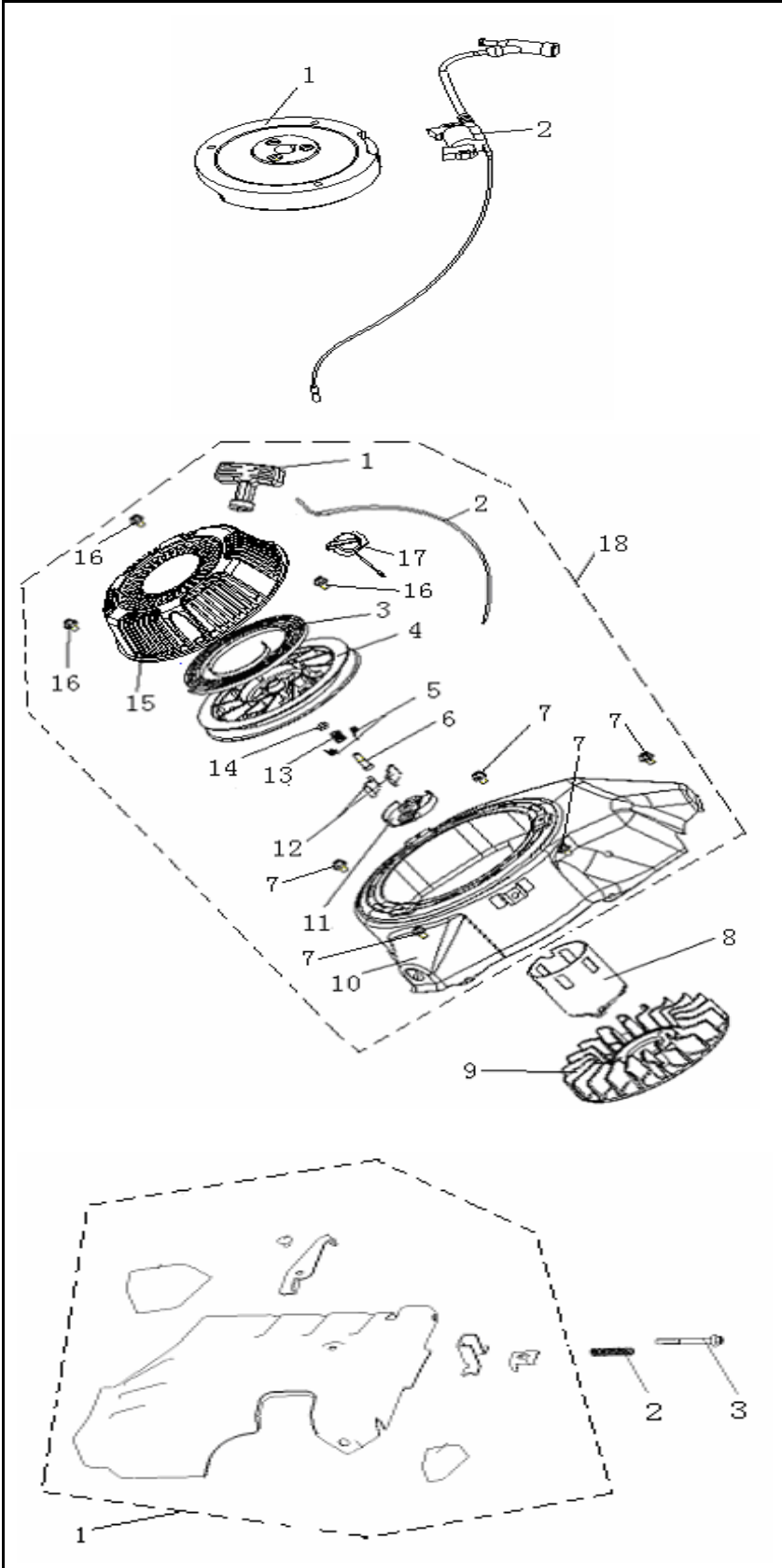


| A6 | | GOVERNOR COMPONENTS | |
|--|---------------|------------------------|---|
| No. | Parts No. | Description | Q |
| 1 | 017594Q01F920 | GOVERNOR LINK | 1 |
| 2 | 017593Q01F000 | ANTI-RATTLE SPRING | 1 |
| 3 | 017581Q01F920 | GOVERNOR LEVER | 1 |
| 4 | 017592Q01F000 | GOVERNOR SPRING | 1 |
| 5 | 0B04070600062 | NUT M6 | 1 |
| 6 | 017584Q01F930 | WASHER | 1 |
| 7 | 017582Q01F000 | GOVERNOR SHAFT & FORK | 1 |
| 8 | 017588Q01F000 | GOVERNOR WEIGHT | 3 |
| 9 | 017591Q01F000 | GOVERNOR WEIGHT PIN | 3 |
| 12 | 026146L01F000 | CLIP | 1 |
| 13 | 017585Q01F000 | WASHER | 1 |
| 14 | 017583Q01F000 | PLUNGER | 1 |
| CAN'T BUY NO. 8, 9, 12-14 SOLELY. (PURCHASE NO. 11) | | | |
| 11 | 017587Q01F000 | GOVERNOR GEAR COMPLETE | 1 |
| 10 | 017586L01F000 | WASHER | 1 |
| 15 | 017590Q01F930 | CLIP | 1 |
| 16 | 017589Q01F920 | BOLT, SQUARE HEAD | 1 |

| REVISION | DATE |
|----------|------------------|
| | 27-Feb-06 |



SPARE PARTS LIST
11HP FG6000MK



| A7 | | IGNITION SYSTEM | |
|-----------|---------------|--------------------------------|---|
| No. | Parts No. | Description | Q |
| 1 | 034301Q01F000 | FLYWHEEL | 1 |
| 2 | 034351Q01F000 | IGNITION MODULE W/ LEAD & WIRE | 1 |
| NOT SHOWN | 030506Q01F910 | SPARK PLUG | 1 |

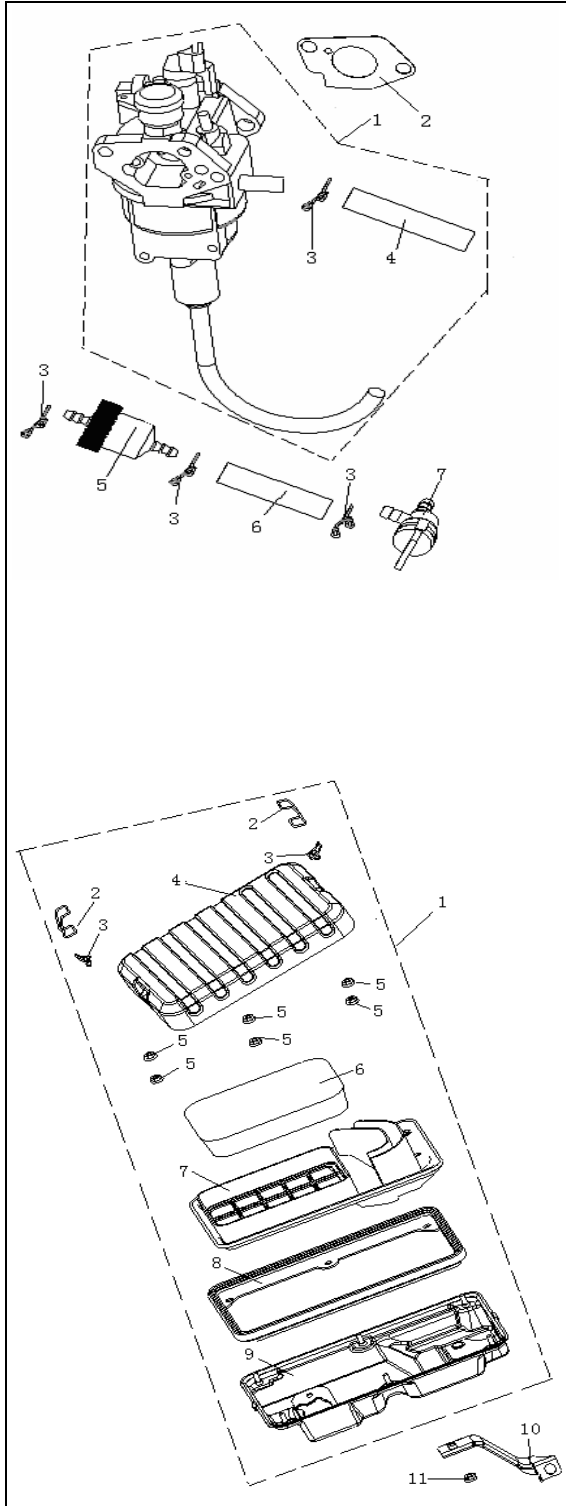
| A8 | | STARTER ASSEMBLY & BLOWER HOUSING | |
|---|---------------|------------------------------------|---|
| No. | Parts No. | Description | Q |
| 1 | 017159Q01F000 | HANDLE | 1 |
| 2 | 017160Q01F000 | PULL ROPE | 1 |
| 3 | 017152Q01F000 | REWIND SPRING | 1 |
| 4 | 017155Q01F000 | REWIND PULLEY | 1 |
| 5 | 017162Q01F000 | SPRING, PAWL | 2 |
| 6 | 017180Q01F000 | SCREW | 1 |
| 11 | 017157Q01F000 | GUIDE PAN | 1 |
| 12 | 017158Q01F000 | PAWL | 2 |
| 13 | 017404Q01F000 | FRICTION SPRING | 1 |
| 14 | 017165Q01F000 | WASHER | 1 |
| 15 | 017170Q10F000 | STARTER COVER | 1 |
| CAN'T BUY NO. 1-6, 11-15 SOLELY. (PLS PURCHASE NO. 18) | | | |
| 18 | 017163Q10F000 | STARTER COMPLETE (ref. 1-6, 11-15) | 1 |
| 7 | 0B01090601264 | BOLT M6X12 | 5 |
| 8 | 017445Q01F000 | STARTER CUP | 1 |
| 9 | 020401Q01F000 | COOLING FAN | 1 |
| 10 | 017179Q01F000 | BLOWER HOUSING | 1 |
| 16 | 0B01090608064 | BOLT | 3 |
| 17 | 034500K14F000 | ENGINE ON/OFF SWITCH | 1 |

| A9 | | ENGINE CONTROL ASSEMBLY | |
|-----|---------------|--------------------------------|---|
| No. | Parts No. | Description | Q |
| 1 | 017450Q03F000 | SPEED ADJUSTMENT BASE ASSEMBLY | 1 |
| 2 | 017555K07F000 | SPRING | 1 |
| 3 | 0B02000503563 | SCREW M5x35 | 1 |

| REVISION | DATE |
|----------|------------------|
| | 27-Feb-06 |



**SPARE PARTS LIST
11HP FG6000MK**



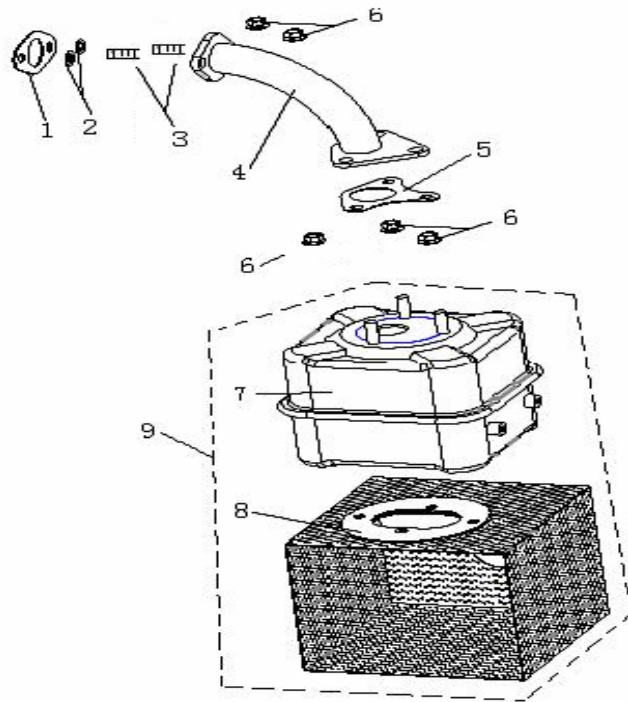
| A10 | | CARBURETOR ASSEMBLY | |
|---|------------------|--|----------|
| <u>No.</u> | <u>Parts No.</u> | <u>Description</u> | <u>Q</u> |
| 1 | 032600Q03F000 | CARBURETOR ASSY | 1 |
| <i>CAN'T BUY NO. 3-4 SOLELY. (PLS PURCHASE NO. 1)</i> | | | |
| 3 | 032623H03F000 | CLIP | 4 |
| 4 | 032624Q03F000 | HOSE $\Phi 5 \times \Phi 8.5 \times 145$ | 1 |
| 2 | 032103Q01F000 | CARBURETOR MOUNTING GASKET | 1 |
| 5 | 032707K14F000 | FUEL FILTER, INLINE | 1 |
| 6 | 032725Q03F000 | HOSE $\Phi 5 \times \Phi 12 \times 65$ | 1 |
| 7 | 032716K14F000 | FUEL SHUTOFF VALVE | 1 |

| A11 | | AIR FILTER ASSEMBLY | |
|--|------------------|-------------------------------|----------|
| <u>No.</u> | <u>Parts No.</u> | <u>Description</u> | <u>Q</u> |
| 1 | 037000Q03F000 | AIR CLEANER ASSEMBLY COMPLETE | 1 |
| <i>CAN'T BUY NO. 4-5, 7-9 SOLELY. (PLS PURCHASE NO. 1)</i> | | | |
| 4 | 037101Q03F000 | AIR CLEANER COVER | 1 |
| 5 | 0B04070500053 | NUT M5 | 6 |
| 7 | 037122Q01F000 | FILTER SUPPORT GRID | 1 |
| 8 | 037114Q01F000 | SEAL GASKET | 1 |
| 9 | 037121Q01F000 | BASE-FILTER BOX | 1 |
| 2 | 037112Q01F00A | CLIP WIRE | 2 |
| 3 | 037112Q01F00B | CLIP LEVER | 2 |
| 6 | 037102Q01F000 | ELEMENT-AIR FILTER | 1 |
| 10 | 037105Q01F000 | AIR CLEANER SUPPORT BRACE | 1 |
| 11 | 0B04070600053 | NUT M6 | 1 |

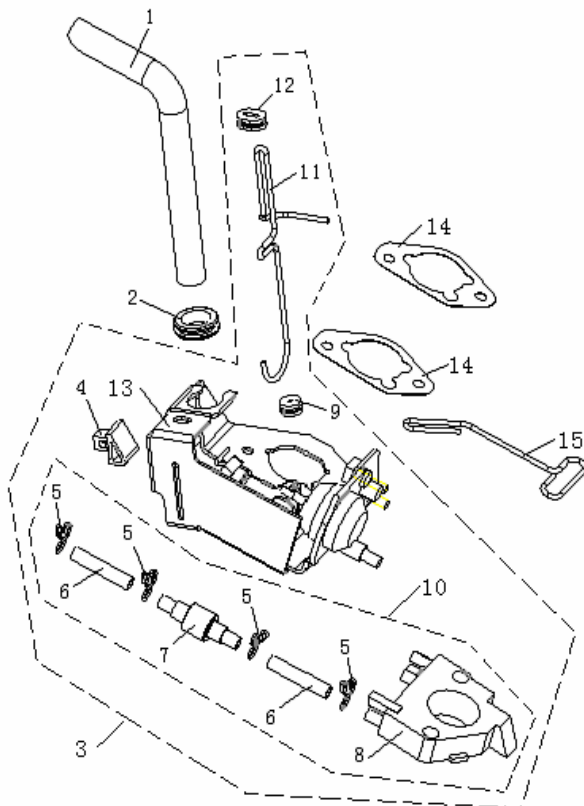
| | |
|----------|------------------|
| REVISION | DATE |
| | 27-Feb-06 |



**SPARE PARTS LIST
11HP FG600MK**



| A12 | | MUFFLER ASSY | |
|-----|---------------|--------------------|---|
| No. | Parts No. | Description | Q |
| 1 | 7082-FG6001 | EXHAUST GASKET | 1 |
| 2 | 7WSC-08-QJ | WASHER M8 | 2 |
| 3 | 030521Q01F000 | BOLT | 2 |
| 4 | 7296-ES8001 | EXHAUST PIPE | 1 |
| 5 | 7082-FG6002 | MUFFLER GASKET | 1 |
| 6 | 7NHC-08-QJ | NUT M8 | 5 |
| 7 | 7301-FG6001 | MUFFLER | 1 |
| 8 | 7104-ES8001 | MUFFLER COVER | 1 |
| 9 | 036100Q03F000 | MUFFLER WITH COVER | 1 |



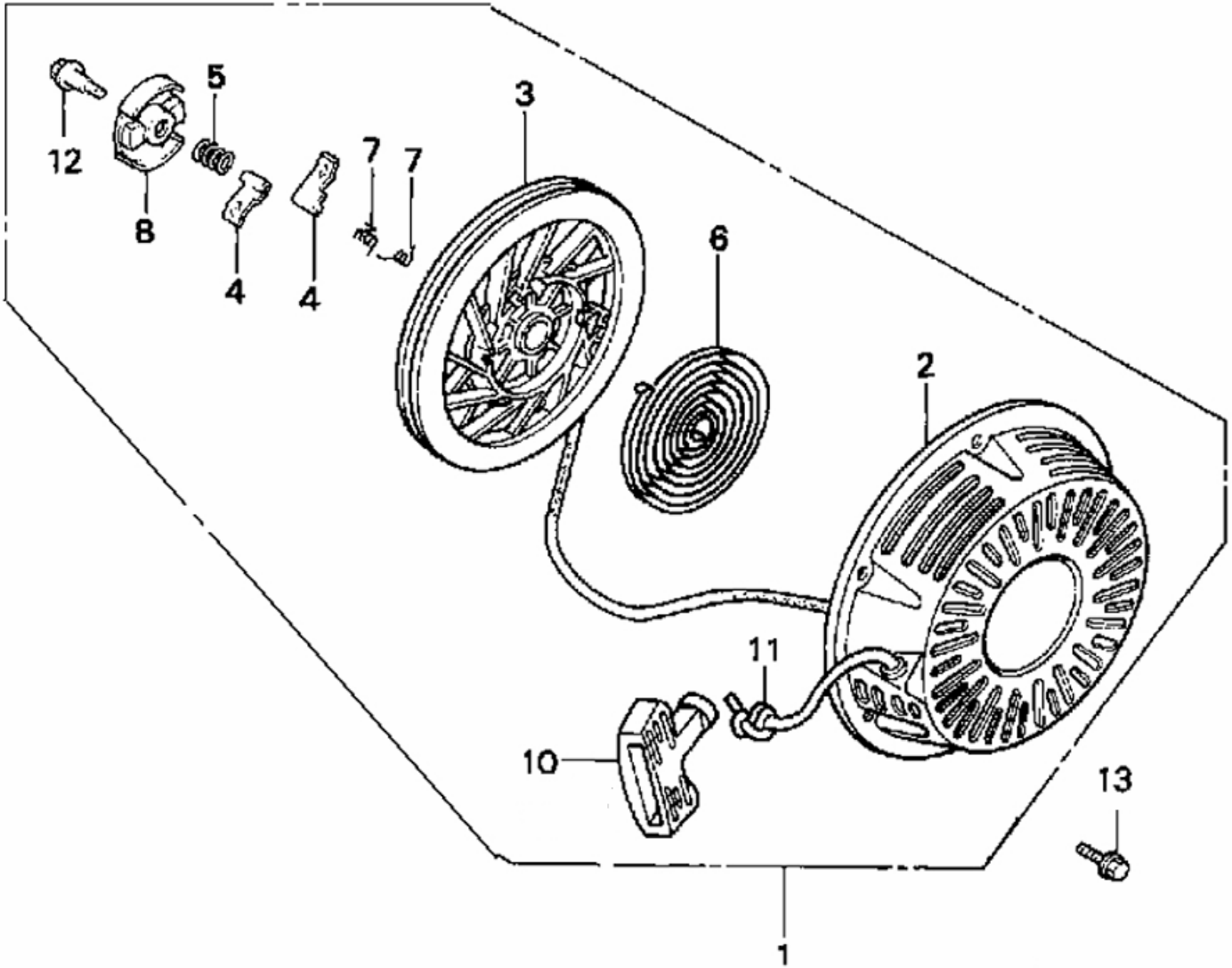
| A13 | | AUTO CHOKE VALVE ASSEMBLY | |
|--|---------------|--|---|
| No. | Parts No. | Description | Q |
| 1 | 030713Q01F000 | BREATH TUBE | 1 |
| 2 | 030718Q01F000 | RUBBER GROMMET | 1 |
| 3 | 032850Q01F000 | AUTO CHOKE VALVE ASSEMBLY | 1 |
| CAN'T BUY NO. 4-13, 15 SOLELY. (PLS PURCHASE NO. 3) | | | |
| 4 | 032851Q01F000 | CLIP | 1 |
| 5 | 032853Q01F000 | HOSE CLAMP | 4 |
| 6 | 032852Q01F000 | HOSE $\Phi 4 \times \Phi 8 \times 135$ | 2 |
| 7 | 032861Q01F000 | VALVE | 1 |
| 8 | 030548Q01F000 | BAKELITE BASE | 1 |
| 9 | 032854Q01F000 | RUBBER GROMMET | 1 |
| 10 | 032860Q01F000 | VALVE ASSEMBLY | 1 |
| 11 | 032855Q01F000 | CHOKE VALVE LINK | 1 |
| | 032855Q01F00B | CHOKE VALVE LINK | 1 |
| 12 | 032856Q01F000 | RUBBER GROMMET | 1 |
| 13 | 032870Q01F000 | VACUUM BODY | 1 |
| 15 | 032910Q03F000 | CHOKE PULL ROD | 1 |
| 14 | 037113Q01F000 | MOUNTING GASKET | 2 |

| REVISION | DATE |
|----------|------------------|
| | 27-Feb-06 |



SERVICE SPARE PARTS LIST
11HP FG6000MK

| | | |
|--|------------------|-----------------|
| SPECIFY MODEL NO. WHEN ORDERING PARTS | DATE | REVISED DATE |
| STARTER RECOIL ASS'Y | 27-Feb-06 | |
| MODEL NO. 7228-FG6046 | | |

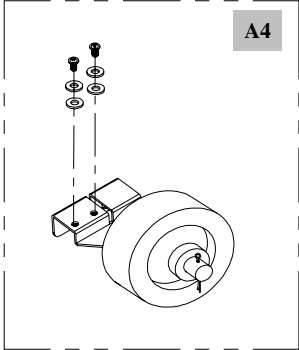
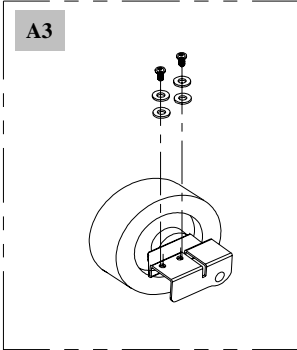
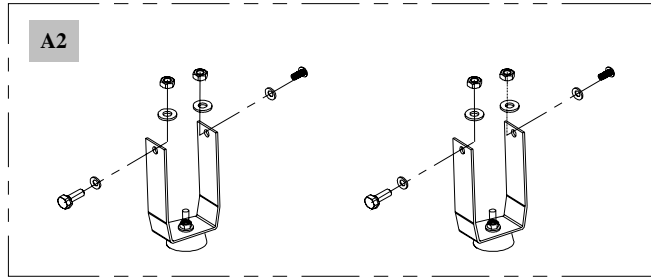
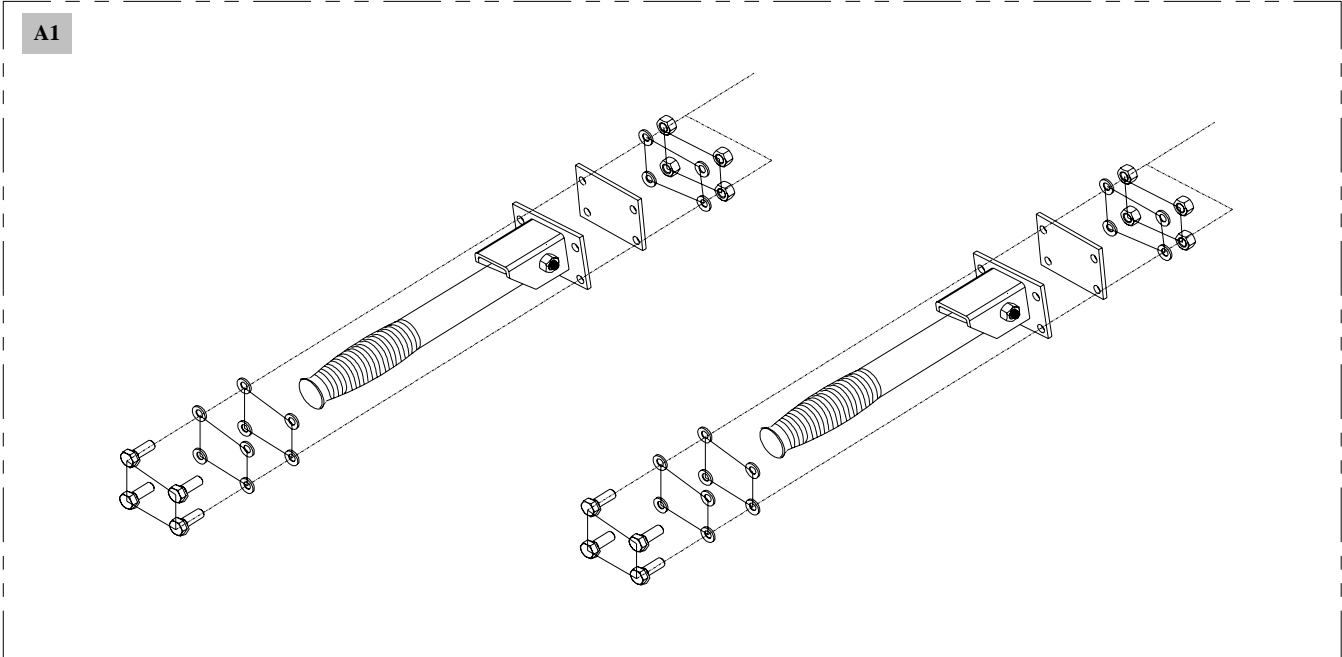


| No. | Parts No. | Description | Q | No. | Parts No. | Description | Q |
|--|---------------|------------------------|---|-----|---------------|----------------------|---|
| 1 | 7228-FG6046 | STARTER ASSY, RECOIL | 1 | 7 | 017162Q01F000 | SPRING, RATCHET | 2 |
| CAN'T BUY NO. 2-12 SOLELY. (PLS PURCHASE NO. 1) | | | | 8 | 017157Q01F000 | RATCHET, SPRING | 1 |
| 2 | 017170Q10F000 | CASE COMP, RECOIL | 1 | 10 | 017159Q01F000 | GRIP, STARTER | 1 |
| 3 | 017155Q01F000 | PULLEY, RECOIL STARTER | 1 | 11 | 017160Q01F000 | ROPE, RECOIL STARTER | 1 |
| 4 | 017158Q01F000 | RATCHET, STARTER | 2 | 12 | 017180Q01F000 | SCREW, CENTER | 1 |
| 5 | 017404Q01F000 | SPRING, FRICTION | 1 | 13 | 0B01090608064 | BOLT | 3 |
| 6 | 017152Q01F000 | SPRING, STARTER RETURN | 1 | | | | |



SERVICE SPARE PARTS LIST
11HP FG6000MK

| | | | |
|---------------------------------------|--------------------|------------------|--------------|
| SPECIFY MODEL NO. WHEN ORDERING PARTS | | DATE | REVISED DATE |
| WHEEL AND HANDLE ASS'Y | | 27-Feb-06 | |
| MODEL NO. | 7228-FG6018 | | |



| <u>No.</u> | <u>Parts No.</u> | <u>Description</u> | <u>Q</u> | <u>No.</u> | <u>Parts No.</u> | <u>Description</u> | <u>Q</u> |
|------------|------------------|--------------------|----------|------------|------------------|--------------------|----------|
| A1 | 7228-FG6053 | HANDLE ASS'Y | 1 | A3 | 7228-FG6055 | WHEEL ASS'Y, (L) | 1 |
| A2 | 7228-FG6054 | BRACKET ASS'Y | 1 | A4 | 7228-FG6056 | WHEEL ASS'Y, (R) | 1 |