

FOR AGE GROUP 8+

# Quadraglo

MSD0320



## Instruction Manual



(Please read this manual carefully before operation)

**Meisida Electronic Toys Co.Ltd**

Add: No.1 of the 8th Block of Anping Development Zone, Anhai, Jinjiang FuJian, China  
Tel: 0595-5788889 Zip Code:362261 Cable:4388  
E-mail: meisida@public.qz.fj.cn  
Executing standards: GB6675-86, GB5296.5-1996



### ⚠ Warnings!

- How to use the charger
- ▲ In case of smoke, strange smell or noise, operation shall be stopped in order to avoid fire or electric shock.
- ▲ Pull the plug and get ready for repair after confirming that there is no more smoke.
- ▲ Do not touch the plug or socket with wet hand to avoid electric shock.
- ▲ Pull the plug upon completing the charger for the risk of fire.



### ⚠ Warnings!

- How to use the battery
- (Improper use of battery may lead to dangers such as heat, breakage or leakage. Note the following items)
- ▲ Strictly observe the methods and cautions of the operation manual.
- ▲ Make sure to install the positive pole and negative pole correctly.
- ▲ Do not sure, charger or store the battery in places that are close to fire or hear or moist. Leakage from the battery may hurt skin. Clean the skin when contaminated.
- ▲ Do not drop the battery into water or fire or even dissolve the battery.



## Warnings!

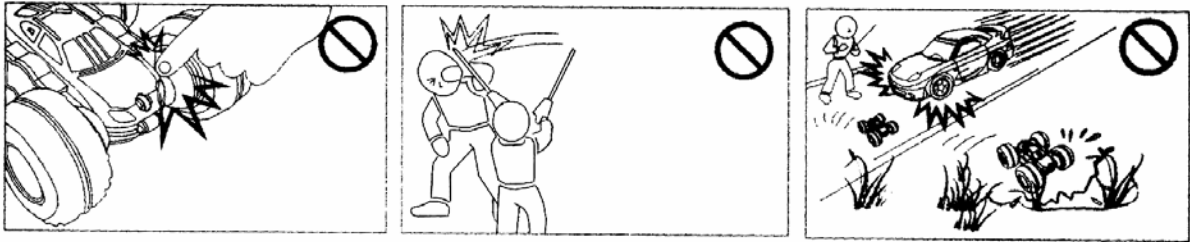
≡ Cautions use the battery

- ▲ The toy is for age group 8+
- ▲ Do not play outdoors when thundering.
- ▲ Do not run the toy car on rainy day or wet surface, this shall lead to breakdown of the car.
- ▲ Do not play near some radio control car which is of the same frequency so as to avoid being interfered.
- ▲ Do not play near some wireless transmitting facilities.

## Cautions!

- Changes or modifications not expressly approved by the party responsible for compliance could void the user's authority to operate the equipment.
- This equipment has been tested and found to comply with limits for a Class B digital-device, pursuant to Part 15 of the FCC Rules. These limits are designed to provide reasonable protection against harmful interference in a residential installation. This equipment generates uses and can radiate radio frequency energy and, if not installed and used in accordance with the instruction, may cause harmful interference to radio communications. However, there is no guarantee that interference will not occur in a particular installation. If this equipment does cause harmful interference to radio or television reception, which can be determined by turning the equipment off and on, the user is encouraged to try to correct the interference by one or more of the following measures:
  - 1, Reorient or relocate the receiving antenna.
  - 2, Increase the separation between the equipment and receiver.
  - 3, Connect the equipment into an outlet on a circuit different from that to which the receiver is connected.
  - 4, Consult the dealer or an experienced radio / TV technician for help.

## Cautions in operation

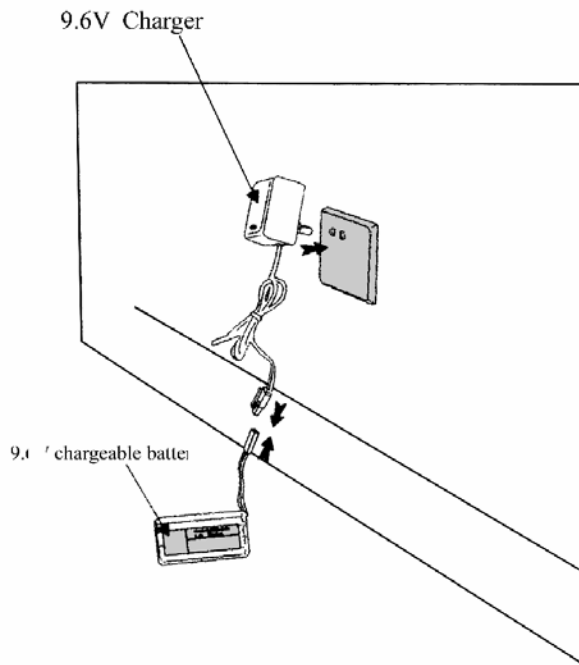


⚠Caution: Don't insert the fingers into the gap between the wheels and the carbody in case of danger.

⚠Caution: Don't point the antenna to the face, should the antenna distorted, please be sure to change it due to it's dangerous.

⚠Caution: Don't play the car on roads or crowded places, Don't run the toy on rainy day or wet surface, this shall lead to breakdown of the car.

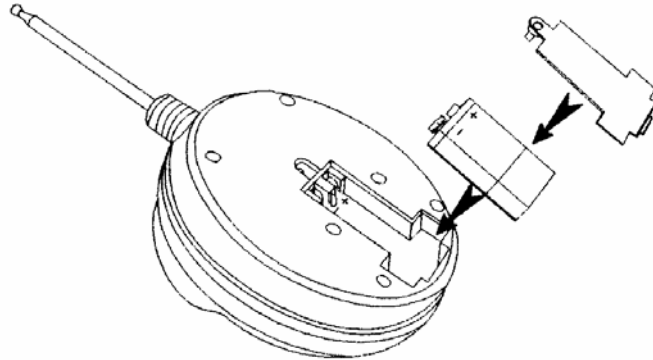
## Method of Charging the Battery



- 1.The battery shall be installed correctly on the charger,see the illustration.
  - 2.Plug into a household socket .
  - 3.Charge duration is 4-6 hours.No charge is allowed after this.
  - 4.Pull the charger off the socket after finish charging.
- Note)The attached battery is not charged yet.Make sure to charge it prior to use.In the course of charge,it is normal that temperatures of the charger and battery will be on the rise.

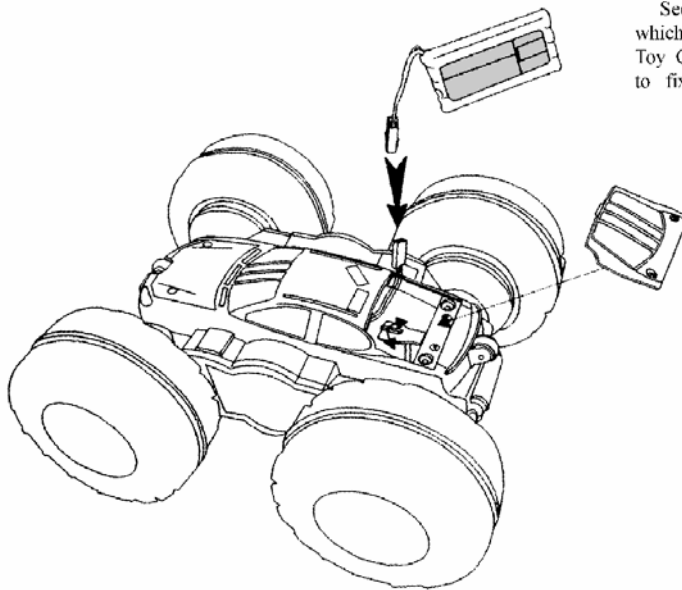
## Loading & Unloading of the Battery

1. Open the battery cover on the back of the remote controller and install 9v laminated battery after check the positive and negative poles. See the illustration.
  2. Cover the battery.
  3. When the remote controller malfunction, follow step 1 and 2 to reload the battery.
- The duration for continuous operation of the remote controller is 8 hours.



6

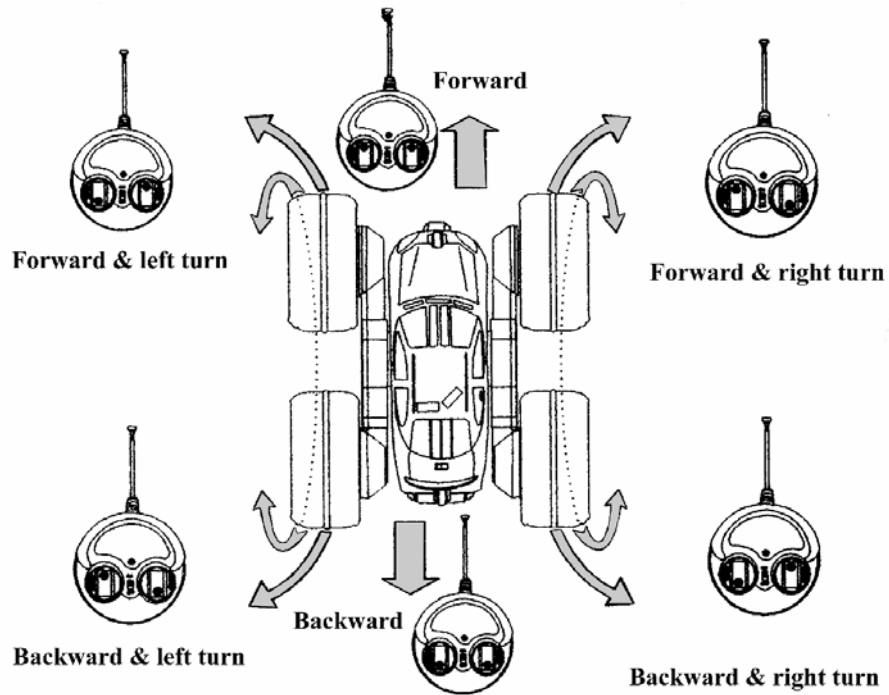
## Loading & Unloading of the Battery of the Toy Car



See the following illustration, put the 9.6v battery which is full charged inside the battery case of the Toy Car. Cover the battery case and fasten the lock to fix the battery.

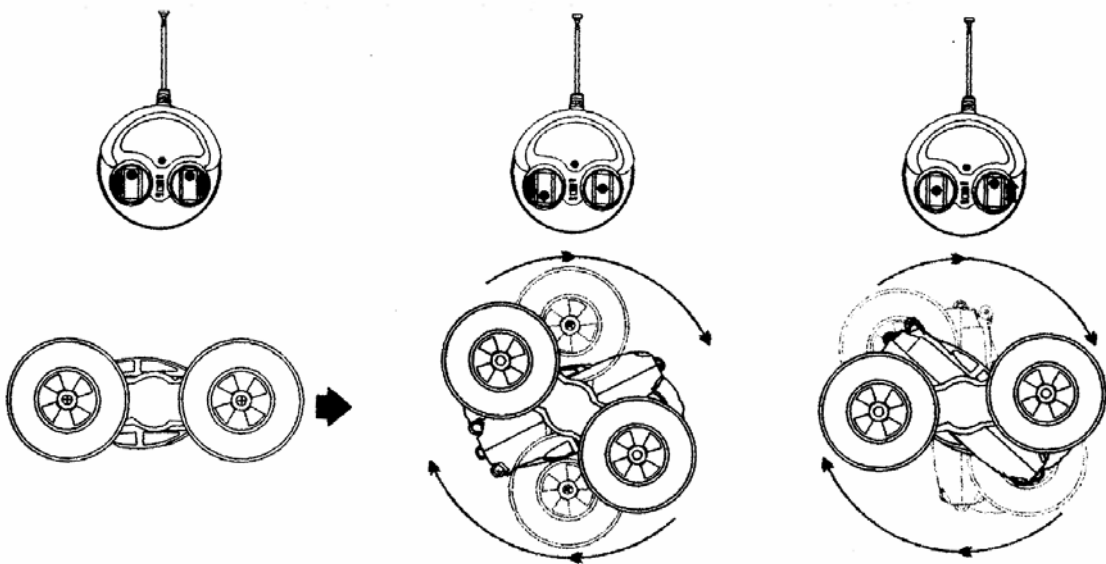
7

## Skills of Operation



8

## Skills of Operation



Use the remote controller to forward or backward the car until it is at a normal speed, then reverse the driving leveler of the controller, The car will perform turnover and leap.

9

## Prior to Any Breakdown

Readjust the toy car before sending for repair, because the breakdown is largely caused by low battery

Conditions of the Car	Reasons	Ways for Inspection & Adjustrment	Relevant Page
Stop Working	No battery in the remote controller or the car	Reloading the battery	6-7
	Incorrect installation of the battery of remote controller	Reinstalling the battery	6
	Low battery of the remote controller	Changing for new battery	6
	Low battery of the car	Recharging	5,7
Out of Control	Low battery of the remote controller	Changing for new battery	6
	Hindered by the electric wave	Changing for new place or wait for a few seconds	
	Operation of radio control car at the same frequency nearby	Changing for new place or wait for a few seconds	
Easy Exhaust of Battery of Hard Acceleration	Low battery	Recharging	5,7
	Life Performance	Changing for new battery	7