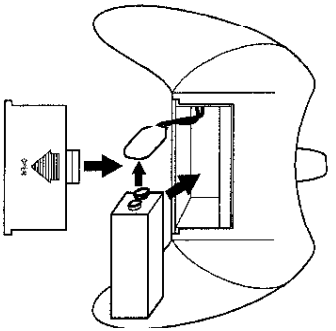
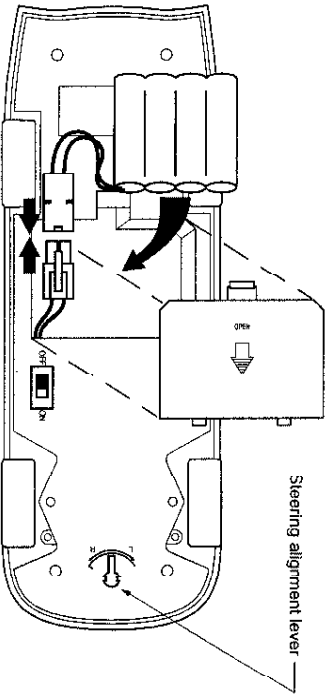


SET-UP

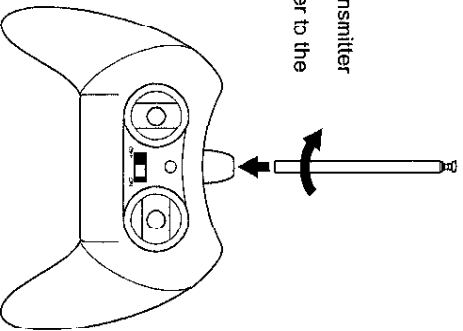
1. Remove the battery cover on the bottom of the transmitter and connect the 9V battery to the wire plug. Insert battery into compartment and replace the battery cover.



2. Remove the battery cover on the bottom of the car. Install the battery pack by connecting the wire plug from the car to the wire plug on the battery pack. Insert the battery pack into the bottom of the car and replace the battery cover.
3. Move the power switch on the bottom of the car to the ON position



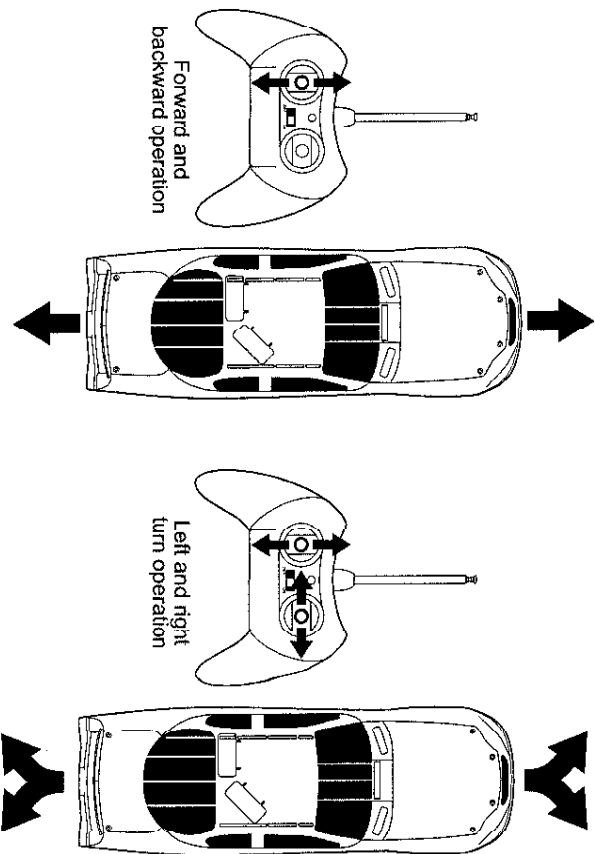
4. Insert the antenna into the top of the transmitter and screw in tightly.
5. Move the power switch on the transmitter to the ON position.



RACE

1. Place car on smooth, flat surface and extend antenna fully.
2. To move car forward and backward in a straight line, move the left lever up and down.
3. To turn left or right while moving forward, move the right lever side to side while holding the left lever up.
4. To turn left or right while moving backward, move the right lever side to side while holding the left lever down.

NOTE: For maximum performance, hold the transmitter upright so the antenna points up (do not point the antenna at the car- this will reduce the signal range).



5. Adjust the steering alignment lever located on the bottom of the car if the car does not run straight when moving forward (refer to drawing on opposite page for location of steering alignment lever).

TROUBLESHOOTING

PROBLEM	PROBABLE SOLUTIONS
Car does not move or runs slowly	<ul style="list-style-type: none"> -Make sure power switch on vehicle and transmitter are in the ON position -Make sure the batteries in the vehicle and transmitter are installed properly -Recharge vehicle's NiCd battery pack or replace if necessary -Replace 9V battery in transmitter with fresh alkaline battery
Car moves erratically or transmitter range is short	<ul style="list-style-type: none"> -There is radio interference in the area- change locations -There is another R/C vehicle operating on the same frequency near by- move away from any other vehicle operating on the same frequency -Make sure antenna in transmitter is screwed in tight and fully extended -Make sure transmitter battery connections are in good condition and replace battery
Car does not work after going through water or snow	<ul style="list-style-type: none"> -Allow car to dry thoroughly overnight -Avoid driving in water or snow

FCC NOTES

This equipment has been tested and found to comply with the limits for a Class B digital device, pursuant to Part 15 of the FCC Rules. These limits are designed to provide reasonable protection against harmful interference in a residential installation. This equipment generates, uses and can radiate radio frequency energy and, if not installed and used in accordance with the instructions, may cause harmful interference to radio communications. However, there is no guarantee that interference will not occur in a particular installation. If this equipment does cause harmful interference to radio or television reception, which can be determined by turning the equipment off and on, the user is encouraged to try to correct the interference by one or more of the following measures:

- Reorient or relocate the receiving antenna
- Increase the separation between the equipment and receiver
- Connect the equipment into an outlet on a circuit different from that to which the receiver is connected
- Consult the dealer or an experienced radio/TV technician for help

This device complies with part 15 of the FCC Rules. Operation is subject to the following two conditions:

1. This device may not cause harmful interference, and
2. This device must accept any interference received, including interference that may cause undesired operation of the device.

SAFETY

- Do not operate during thunderstorms.
- Avoid water, sand, and snow when operating your vehicle. In addition, do not submerge your vehicle or controller in water.
- Never operate your vehicle on the street or highway.
- Never operate your vehicle in a confined or crowded area, and do not use people or animals as obstacles.
- Do not run your vehicle into furniture, objects or hard surfaces, as this will cause damage to both the objects and the vehicle.
- Keep fingers, hair, and loose clothing away from the tires, gears, and motor while the vehicle is switched ON.
- Do not leave vehicle or controller near sources of heat or under direct sunlight for long periods of time.
- Do not leave vehicle or controller outside overnight- damage is harmful to interior components.
- Remove all batteries when not in use to avoid accidental operation.

BATTERY PRECAUTIONS

THIS PRODUCT USES A NICKEL-CADMNIUM RECHARGEABLE BATTERY PACK- BATTERY MUST BE RECYCLED OR DISPOSED OF PROPERLY.

- Batteries should be inserted with the correct polarity.
- Do not short circuit battery contacts.
- Do not mix old and new batteries.
- Do not mix alkaline, standard (carbon-zinc) or rechargeable (nickel-cadmium) batteries.
- Remove batteries if vehicle will not be used for a long period.
- Check the batteries regularly for leakage.
- Exhausted batteries should be removed from the charger.
- Do not dispose batteries in a fire - batteries may leak or explode.
- Use only the recommended batteries or batteries of equal quality/type.
- Do not recharge non-rechargeable batteries.
- Remove battery pack from vehicle before recharging.
- Do not pull on wires when detaching the battery pack plug/connector.
- Do not recharge warm or hot battery packs- wait until pack has cooled.
- Do not overcharge - this may damage the battery pack.
- Recharging too early will shorten battery pack life.
- Do not recharge batteries that show wear or leakage.
- Do not recharge in high temperatures or bring the battery pack near a flame.
- Do not let the charger or battery pack get wet or damp.
- Do not take the charger or battery pack apart.
- Rechargeable batteries should always be charged under adult supervision.

BATTERY PERFORMANCE NOTE:

For best performance use alkaline batteries (where disposable batteries are called for). If your vehicle is supplied with standard (carbon-zinc) batteries for initial use and/or demonstration purposes, we recommend replacing them with alkaline batteries when necessary. Battery life may vary depending on battery brand.

Manufactured under license by:
TEAM UP INTERNATIONAL, INC.
4545 Enka Highway
Murfreesboro, TN 37133
423-585-5300

Made and printed in China



Caution:

Any changes or modifications not expressly approved by the party responsible for compliance could void the user's authority to operate the equipment.

ATTENTION PARENTS:

It is recommended that this toy and all accessories be periodically examined for potential hazards and that any potentially hazardous parts be repaired or replaced.

OWNER'S MANUAL

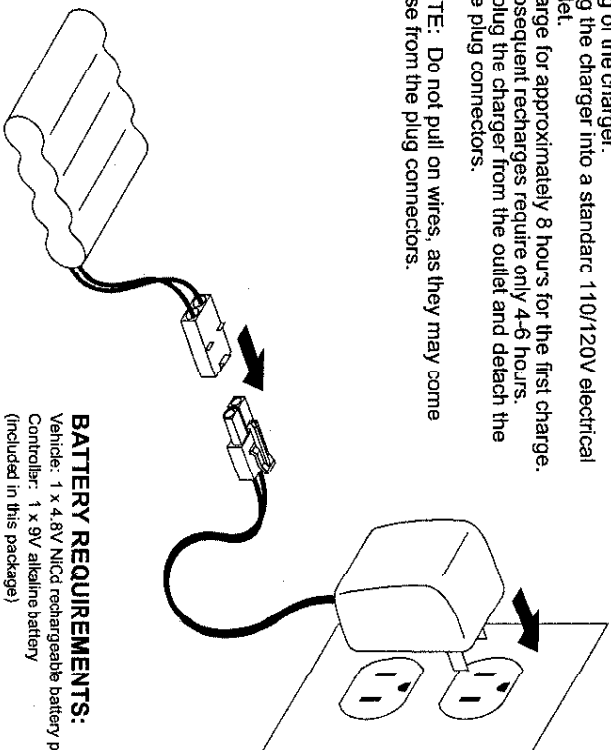
Please read carefully before operating your vehicle. Keep these instructions for future reference as they contain important information

CHARGE

IMPORTANT: Battery pack is not charged when newly purchased- charge before using.

1. Connect the wire plug of the battery pack to the wire plug of the charger.
2. Plug the charger into a standard 110/120V electrical outlet.
3. Charge for approximately 8 hours for the first charge. Subsequent recharges require only 4-6 hours.
4. Unplug the charger from the outlet and detach the wire plug connectors.

NOTE: Do not pull on wires, as they may come loose from the plug connectors.



BATTERY REQUIREMENTS:

Vehicle: 1 x 4.8V NiCd rechargeable battery pack
Controller: 1 x 9V alkaline battery
(Included in this package)