

# Meisida Eagle Radio Control Series

## DUMPER

## MSD0502



# Operation Manual

(Please read this manual carefully before operation)



## Meisida Electronic Toys Co.,Ltd.

Add:No.1 of the 8th Block of Anping Development Zone, Anhai,Jinjiang,Fujian,China

Tel:0595-85788889 Zip Code:362261 Cable:4388

E-MAIL:meisidatoys@163.com

<http://www.meisida.com>

Executing Standards: GB6675, GB5296.5

Suitable Ages:Over 8+



### **⚠ Warnings!**

#### 1. How to use charger

- ▲ In case of smoke, strange smell or noise, operation shall be stopped in order to avoid fire or electric shock. Pull the plug and get ready for repair after confirming that there is no more smoke.
- ▲ Do not touch the plug or socket with wet hand to avoid electric shock.
- ▲ After finish charging (charge duration normally is 4~6 hours) pull the charger off the socket. Strictly prohibit keeping plug into the socket for a long time. Otherwise it may lead to overheating, fire, electric shock and other unsafe hidden trouble.



### **⚠ Cautions!**

#### 2. How to use the rechargeable battery

- ▲ please strictly observe the methods and cautions of the operation manual.
- ▲ Avoid short circuit when using or placing as it may lead to great dangers, such as fire, explosion. Meanwhile, do not store the battery in high-temperature room or places next to fire.
- ▲ Do not use the breakage or/and leakage battery.
- ▲ Do not drop the battery into fire or water or even dissolve the battery



 **Cautions!**

- ▲ Non-rechargeable batteries are not be recharged;
- ▲ Rechargeable batteries are to be removed from the toy before charged;
- ▲ Rechargeable batteries are only to be charged under adult supervision;
- ▲ Different types of batteries or new and used batteries are not to be mixed;
- ▲ Only batteries of the same or equivalent type as recommended are to be used;
- ▲ Batteries are to be inserted with the correct polarity;
- ▲ Exhausted batteries are to be removed from the toy;
- ▲ The supply terminals are not to be short-circuited;
- ▲ The antenna is not to be inserted into socket outlets;
- ▲ Transformers used with the toy are to be regularly examined for damage to cord, plug enclosure and other parts ; and in the event of such damage, toy must not be used with the transformer until such damage has been repaired;
- ▲ The toy is not to be connected to more than recommended number of power supplies;
- ▲ The toy is not intended for children under 3 years old;
- ▲ The toy must only be used with the recommended transformer;
- ▲ The transformer is not a toy.



### **⚠ Cautions!**

- ▲ Changes or modifications not expressly approved by the party responsible for compliance could void the user's authority to operate the equipment.
- ▲ This equipment has been tested and found to comply with limits for a Class B digital device, pursuant to Part 15 of the FCC Rules. These limits are designed to provide reasonable protection against harmful interference in a residential installation. This equipment generates uses and can radiate radio frequency energy and, if not installed and used in accordance with the instruction, may cause harmful interference to radio communications. However, there is no guarantee that interference will not occur in a particular installation. If this equipment does cause harmful interference to radio or television reception, which can be determined by turning the equipment off and on, the user is encouraged to try to correct the interference by one or more of the following measures:
  1. Reorient or relocate the receiving antenna.
  2. Increase the separation between the equipment and receiver.
  3. Connect the equipment into an outlet on a circuit different from that to which the receiver is connected.
  4. Consult the dealer or an experienced radio/TV technician for help.

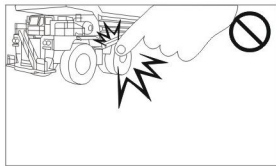
### **⚠ Cautions!**

#### 3. Rules for play

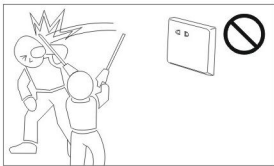
- ▲ The car is for 6 ages up group only.
- ▲ Do not play the car outdoors when thundering.
- ▲ Do not run the toy car on rainy day or wet surface.
- ▲ Do not play near some wireless transmitting facilities.
- ▲ Do not play near some radio control car which is of the same frequency so as to avoid being interfered.

Material used: Plastic, hardware , Electronics.

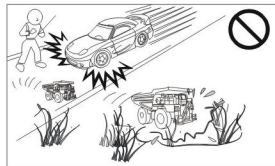
## Cautions in operation:



⚠ Caution: Avoid the risk of finger being involved when the wheel is in operation. Don't insert finger into the car body and touch the wheels when the car turn "ON" or in work in case of danger.

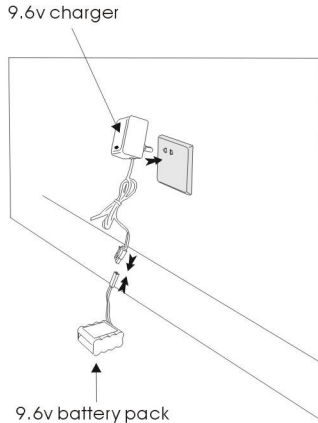


⚠ Caution: Do not brandish the Antenna or closed your face to Antenna, or it may injure eyes. Please replace the broken off Antenna. Do not cut the antenna into socket avoid any electric shock.



⚠ Caution: Do not play on roads with crowded places, soil or fine sand.

## Method of Charging the Battery:



Method of charging the battery:

1. The rechargeable battery contains 9.6V Nickel-Cadmium
2. The battery should be installed correctly on the charger (see the illustration)
3. Install the 9.6V battery pack in the direction of arrow into the charger. Then plug into household socket appropriately.
4. Charge duration normally is 4~6 hours. No charge is allowed after this. (About 8 hours required for the first time charge).
5. Pull the charger off the socket after finish charging. Press the lock button in the charger and take out the battery pack.
6. Stop recharging quickly if any odd smell, smoking, noise appeared during its recharging and put charger off or power off.

Notes: 1. The attached battery is not charged yet.

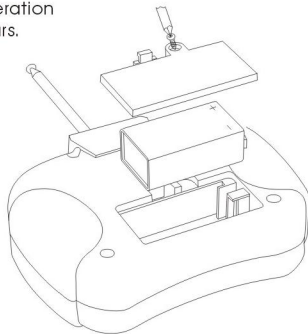
Make sure to charge it prior to use. In the course of charging it is normal that temperature of the charger and battery will be on the rise.

2. Termly check if the wire, plug, crust and other parts are in good condition. If breakage found they should be stopped using until be repaired into good condition.

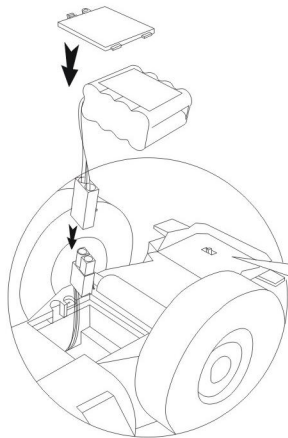


## Loading & unloading of the battery for remote controller:

1. The battery contains 9.0V laminated carbonic battery
2. Push the battery cover on the back of the remote controller in the direction of “ OPEN ” and remove the cover.(Keep the switch in “ OFF ” position )
3. See the following illustration.Install 9V laminated battery after checking the positive and negative poles and cover the battery case.
4. Switch on the transmitter.If the battery installed correctly,the indicator light on. Otherwise re-is install the battery.
5. The duration for continuous operation of the remote controller is 8 hours.



## Loading & unloading the battery pack of the toy car:



1. Put the switch in the “OFF” position.
2. As per the illustration, put the fully charged 9.6v battery pack into the battery case , then close the battery cover and fasten the lock to fix the battery.
3. If re-charge for the battery required ,put the switch in “OFF” position. Unlock the battery cover and take out the battery for recharging.

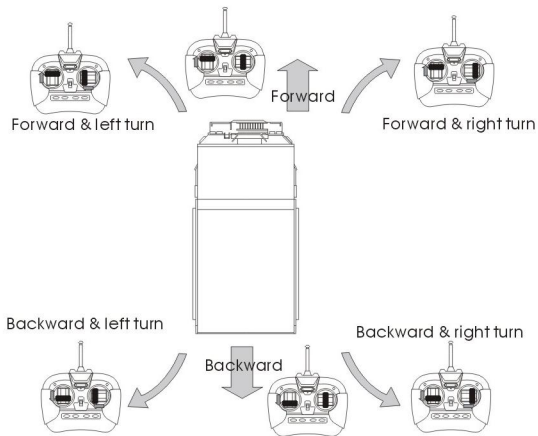
Note: The car body not allowed to connect with power overmuch at same time.

Main power switch

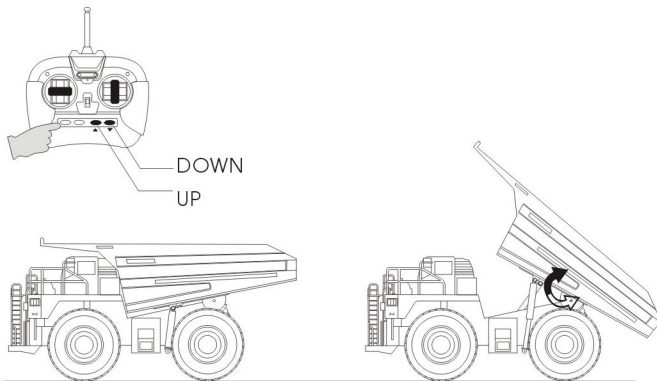




## Operation for remote controller:



## Operation for remote controller:



Note: Do not insert finger into interlinkage and curliness when in working in case of any hurt.

## Analysis of Breakdowns

Before sending out for repair, readjust the car because most of the breakdowns have been caused by low battery.

Conditions of the Car	Possible Reasons	Ways for Inspection & Adjustment	Relevant Pages
Stop Working or slowly working	1.No battery in the remote controller or the car	Reloading the battery	6、7
	2.Incorrect installation of the battery of remote controller	Reinstalling the battery	6
	3.Low battery of the remote controller	Changing for new battery	6
	4.Low battery of the car	Recharging	7
Out of Control	5.Low battery of the remote controller	Changing for new battery	6
	6.Hindered by the electric wave	Changing for new place or wait for a few seconds	
	7.Interference by same frequency car used nearby	Changing for new place or wait for a few seconds	

Note: Except the reasons mentioned above, please send out for repair.

### Maintenance:

1. During its playing the toy should be avoid any man-made destroy of hitting, pressing, pricking, dropping etc.
2. Out of using the battery should be taken out.The toy should be placed in dry or toycabinet after wiping.