

## Prior to Any Breakdown

Readjust the toy car before sending for repair, because the breakdown is largely caused by low battery

Conditions of the Car	Reasons	Ways for Inspection & Adjustment	Relevant Page
Stop Working	No battery in the remote controller or the car	Reloading the battery	6-7
	Incorrect installation of the battery of remote controller	Reinstalling the battery	6
	Low battery of the remote controller	Changing for new battery	6
	Low battery of the car	Recharging	5,7
Out of Control	Low battery of the remote controller	Changing for new battery	6
	Hindered by the electric wave	Changing for new place or wait for a few seconds	
	Operation of radio control car at the same frequency nearby	Changing for new place or wait for a few seconds	
Easy Exhaust of Battery or Hard Acceleration	Low battery	Recharging	5,7
	Life Performance	Changing for new battery	

# WATER-BLAST CRUISER

MSD-Y0522



**Instruction Manual**



(Please read this manual carefully before operation)

**Meisida Electronic Toys Co.Ltd**

Add: No.1 of the 8th Block of Anping Development Zone, Anhai, Jinjiang FuJian, China  
 Tel: 0595-85788889 Fax: 0595-85791389 Zip Code:362261 Cable:4388  
 E-mail: meisidatoys@163.com  
 Executing standards: GB6675, GB5296.5



### ⚠ Warnings!

#### How to use the charger

- ▲ In case of smoke, strange smell or noise, operation shall be stopped in order to avoid fire or electric shock.
- ▲ Pull the plug and get ready for repair after confirming that there is no more smoke.
- ▲ Do not touch the plug or socket with wet hand to avoid electric shock.
- ▲ Pull the plug upon completing the charging for the risk of fire.

CAUTION-ELECTRIC TOY-Not recommended for children under 8 years of age.  
As with all electrical products, precautions should be observed during handling and use to reduce the risk of electric shock.

### ⚠ Warnings!

#### How to use the battery

(Improper use of battery may lead to dangers such as heat, breakage or leakage. Note the following items)

- ▲ Strictly observe the methods and cautions of the operation manual.
- ▲ Make sure to install the positive pole and negative pole correctly.
- ▲ Do not use, charge or store the battery in places that are close to fire or heat or moist. Leakage from the battery may hurt skin. Clean the skin when contaminated.
- ▲ Do not drop the battery into water or fire or even dissolve the battery.

— 1 —

### ⚠ Warnings!

#### Cautions for use of the battery

- ▲ The toy is for age group 8+
- ▲ Do not play outdoors when thundering.
- ▲ Do not run the toy car on rainy day or wet surface, this shall lead to breakdown of the car.
- ▲ Do not play near some radio control car which is of the same frequency so as to avoid being interfered.
- ▲ Do not play near some wireless transmitting facilities.

Material used: Plastic, Metal, Electronic Components

— 2 —

## ⚠ Warnings!

**Note:**

This equipment has been tested and found to comply with the limits for a Class B digital device, pursuant to part 15 of the FCC Rules. These limits are designed to provide reasonable protection against harmful interference in a residential installation. This equipment generates, uses and can radiate radio frequency energy and, if not installed and used in accordance with the instructions, may cause harmful interference to radio communications. However, there is no guarantee that interference will not occur in a particular installation. If this equipment does cause harmful interference to radio or television reception, which can be determined by turning the equipment off and on, the user is encouraged to try to correct the interference by one or more of the following measures:

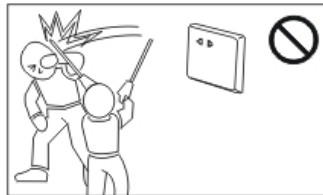
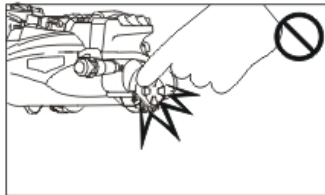
- Reorient or relocate the receiving antenna.
- Increase the separation between the equipment and receiver.
- Connect the equipment into an outlet on a circuit different from that to which the receiver is connected.
- Consult the dealer or an experienced radio/TV technician for help.

Modifications not authorized by the manufacturer may void users authority to operate this device.

This device complies with part 15 of the FCC Rules. Operation is subject to the following two conditions:

- (1) This device may not cause harmful interference, and (2) this device must accept any interference received, including interference that may cause undesired operation.

## When operating

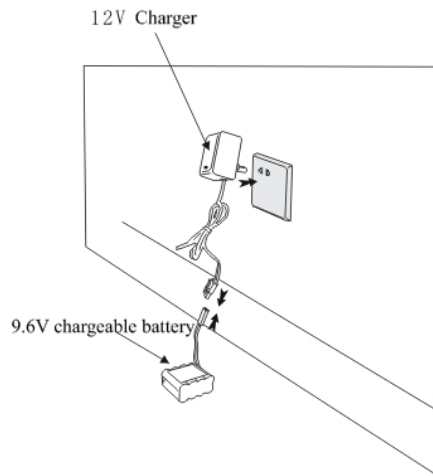


⚠ Caution: Don't insert the fingers into the gap between the wheels and the car body in case of danger.

⚠ Caution: Don't point the antenna to the face, should the antenna distorted, please be sure to change it as it's dangerous.

⚠ Caution: Don't play the car on roads or crowded places. Don't run the toy on rainy day or wet surface, this shall lead to breakdown of the car.

## Method of Charging the Battery

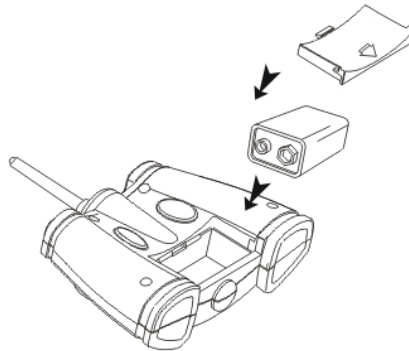


- 1.The battery shall be installed correctly on the charger,see the illustration.
  - 2.Plug into a household socket .
  - 3.Charge duration is 4-6 hours.No charge is allowed after this. (First charge duration should be 8 hours)
  - 4.Pull the charger off the socket after finishing charging.
- Note: The attached battery is not charged yet.Make sure to charge it prior to use.In the course of charge,it is normal that temperatures of the charger and battery will be on the rise.

5

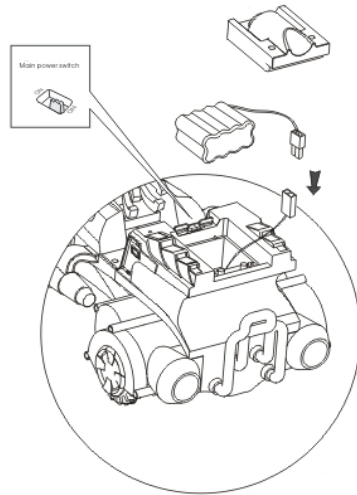
## Loading & Unloading of the Battery

- 1.Open the battery cover on the back of the remote controller and install 9v laminated battery after checking the positive and negative poles.See the illustration.
  - 2.Cover the battery case.
  - 3.When the remote controller is on malfunction, follow step 1 and 2 to reload the battery.
- The duration for continuous operation of the remote controller is 8 hours.



6

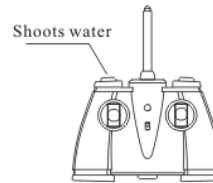
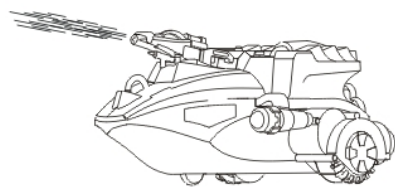
## Loading & Unloading of the Battery of the Toy Car



See the illustration, put the 9.6v battery which is fully charged inside the battery case, fasten the lock to fix the Battery.

7

## Skills of Operation



Water-in hole



Add Water: 1. No water added while driving the toy on water.

2. Plug out the block on the front part of the boat, pour water in (about 50ml), Plug in the block.

Shoots water Press the left button of the controller to shoot water.

Cautions: 1. Don't add dirty water or water with bits in the water tank.

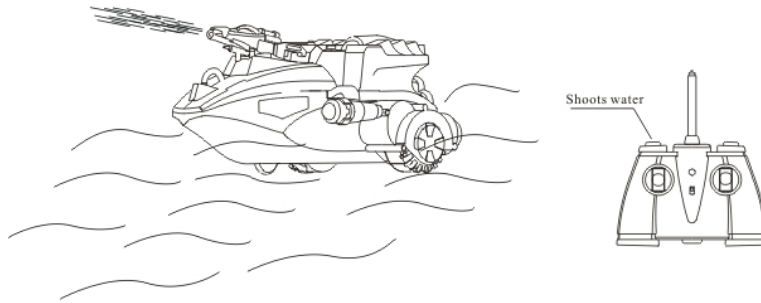
2. Don't shoot water at the electric socket to prevent from danger.

3. Water gun wrongly placed by incidence can be assembled again. (Fasten the black pipe while loosed.)

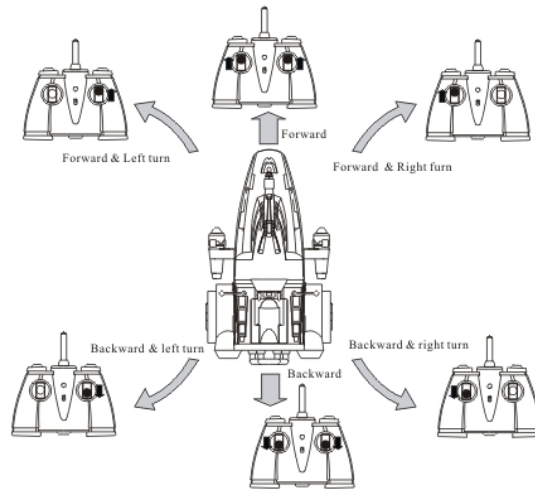
8

### Cautions during play on water.

Forward rapidly, Backward and make turns on water.



### Skill of Operation:



## Store and Maintenance Instructions

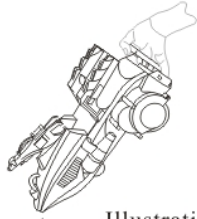


Illustration 1

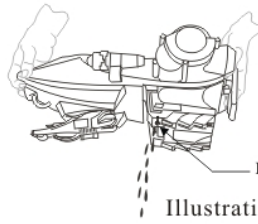


Illustration 2

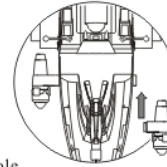


Illustration 3

Before you put back the amphibian boat when you finish playing on water, please notice the following issues.

1. Let the amphibian boat stand upside down vertically to let out water reserved inside. Take away the rubber block on top of the boat's back cover, turn over the boat to make the drain hole downward, shake hard to check if there is any water in the cabin, and drain it if there is.
2. Avoid water going into the battery compartment. You can use dry cloth or tissue paper to wipe away water around the battery compartment. Do use dry cloth or tissue paper for cleaning the boat every time you finish playing. (To avoid the blocked water spraying system, please don't play the boat on dirty water or water with bits.)

Please assemble the balance part as per the arrowhead direction in the illustration 3 if either one falls off.