

FOR AGE GROUP 8+

# SUPER QUADRAGLO MSD 0703



## Instruction Manual

(Please read this manual carefully before operation)



### Meisida Electronic Toys Co., Ltd.

Add: MSD Bldg, Anping Industry Park (Anhai) Jinjiang Fujian China  
Tel: 0595-85783295 Fax: 0595-85791389 Zip Code: 362261  
E-mail: meisidatoys@meisida.com  
Website: <http://www.meisida.com>  
Executing standards: GB6675, GB5296.5



#### ⚠ Warnings!

##### Cautions in using charger and battery

- ▲ Using nickel-cadmium battery;
- ▲ The supply terminals are not to be short-circuited;
- ▲ Crust-broken batteries or leaking-out batteries are not to be used;
- ▲ Do not use any liquid to clean the toy including its accessories;
- ▲ Do not drop the battery into water or fire or even dissolve the battery;
- ▲ Make sure to inspect the wire, pin, crust and other components termly, in case any broken, stop using until repaired well;
- ▲ The charger and battery are not toy;
- ▲ Rechargeable battery should be charged by adult only;
- ▲ Only battery and charger included are to be used;
- ▲ Remove the charger from the socket once finishing charging, let the charger long stay into the socket is strictly prohibited;
- ▲ Exhausted batteries are to be removed from the toy;
- ▲ Non-rechargeable batteries are not to be recharged;
- ▲ Rechargeable batteries are to be removed from the toy before charged;
- ▲ Different types of batteries or new and used batteries are not to be mixed;
- ▲ Batteries are to be inserted with the correct polarity.

## ⚠ Warning!

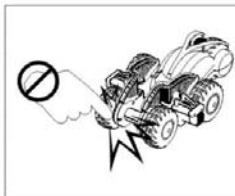
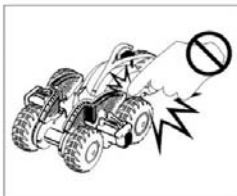
### Cautions in Operation

- ▲ Do not play the toy car outdoors when thundering;
- ▲ Do not run the toy car on rainy day or wet surface, this shall lead to breakdown of the car;
- ▲ Do not plug the antenna or other exposed wire into the socket;
- ▲ Do not play the toy car near the broadcasting station or television station or together with other same frequency car so as to avoid being interfered;
- ▲ The toy may has functional sharp-edges, which may occur potential danger to children, make sure to operate the toy under adult supervision;
- ▲ The toy is not intended for children under 3 years old.

Material used: Plastic, Metal, Electronic Components

— 2 —

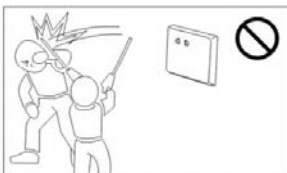
## Cautions in Operation



### ⚠ Caution:

Don't insert the fingers into the wheels to avoid accidentally injure, children should be paid more attention.

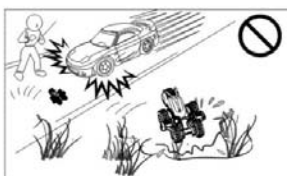
Don't touch the wheels, the front-wheel handle & the joint of vehicle body and tail when the car switch is turned "ON".



### ⚠ Caution:

Don't brandish the antenna or point the antenna to face, accidentally injure may happen in case the antenna tip point into eyes. Should the antenna distorted, please be sure to change it due to it is dangerous.

Do not plug the antenna into the socket to avoid electric shock.



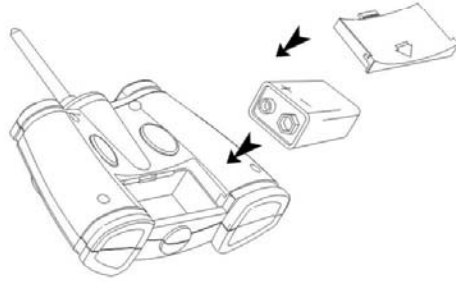
### ⚠ Caution:

Don't play the car on roads or crowded places to avoid accident. Also don't run the car on the restive places such as wet or sandy surface, this shall lead to breakdown of the toy.

— 3 —

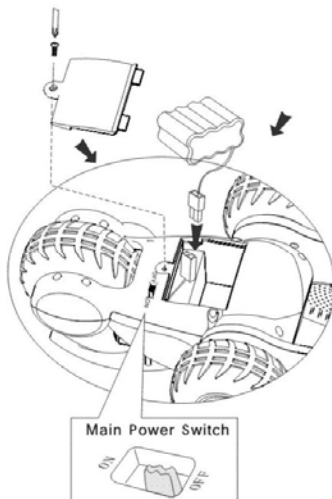
## Loading & Unloading of the Battery

1. Using 9V laminated carbonic battery.
2. Turn "OFF" the switch, follow the arrowhead direction to open the battery cover.
3. See below illustration. Install the 9V laminated battery after checking the positive and negative polarity, lock the battery cover.
4. Turn "ON" the switch and the indicated light on, that means the battery is installed correctly. Otherwise reinstall the battery.
5. The duration for continuous operation of the remote controller battery is 8 hours.



— 4 —

## Loading & Unloading of the Battery of the Toy Car



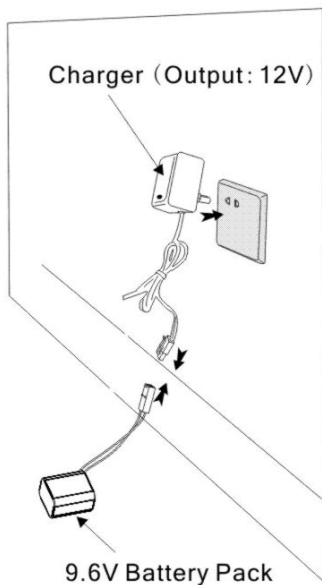
1. Using 9.6V nickel-cadmium battery.
2. Turn the switch "OFF"
3. See the illustration. Follow the positive and negative polarity to connect the fully charged 9.6V battery into the car socket, then put the battery inside the battery groove, fasten the battery cover with screw to fix the battery.  
Turn "ON" the switch and the translucent parts light on, that means the battery is installed correctly. Otherwise reinstall the battery.
4. When the battery is exhausted and need to be recharged, turn "OFF" the switch, unscrew the cover knob and take out the battery to recharge.

### Remarks:

1. Don't connect the toy to the voltage which is higher than recommended.
2. Make sure the loading & unloading of the battery of the toy car is under adult supervision.

— 5 —

## Methods of Charging the Battery



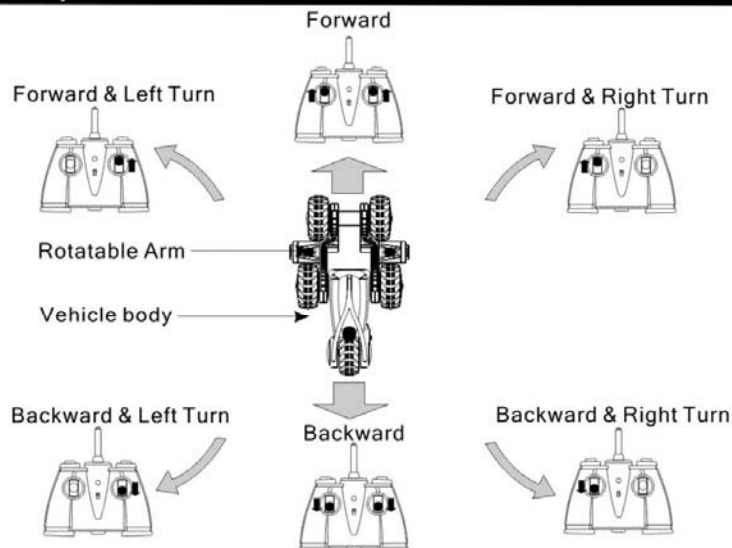
### Methods:

1. Using 9.6V nickel-cadmium battery.
2. The battery shall be installed correctly on the charger, see the illustration.
3. Plug into a household socket.

### Cautions:

1. Rechargeable battery should be charged by adult only.
2. Enhance attention when charging, keep the battery away from the flammable materials.
3. Charge duration is 4-6 hours. Overcharge is not allowed. (First charge duration must be about 8 hours.)
4. Pull the charger off the socket after finishing charge. Take down the battery from the charger.
5. In case strange odor, smoking, noises occur in the course of charging, pull the charger off the socket and turnoff the power supply immediately.
6. The included battery is not charged yet. Make sure to charge it prior to use. In the course of charge, it is normal that temperatures of the charger and battery will be on the rise. (The charger and battery are not toys.)
7. Inspect the wire, pin, crust and other components termly, in case any broken, stop using until repaired well.

## Methods of Operation



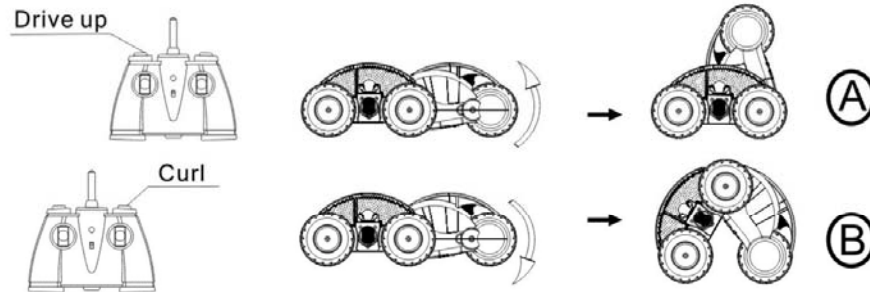
### Cautions:

The car is in high-speed when going forward & backward. Make sure to play the car in void environment and keep the car away at least 2 meters distance to avoid any collision to persons or res.



## Methods of Operation

When the vehicle is in the situation A & B, it can perform the actions of forward & backward circumvolving, etc.



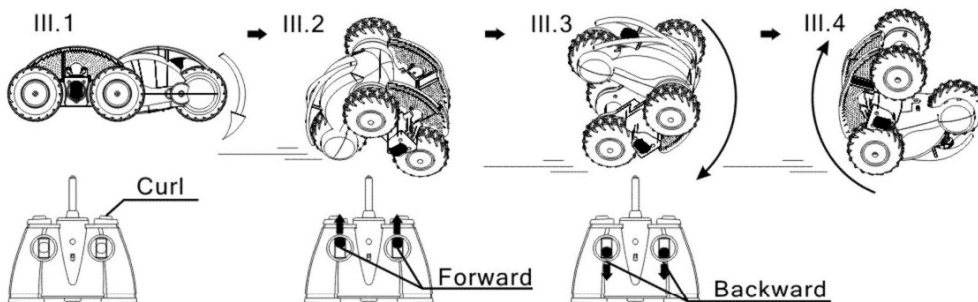
### Cautions:

The vehicle body will stop rising by automatically once it is driven up to the end, and "DA DA" noises will occur if keep pressing the Drive up button.

In the same way, the vehicle body will stop curling by automatically once it is curled to the end, and "DA DA" noises will occur if keep pressing the Curl button.

Then you can combine with the forward and backward buttons to perform the corresponding rolling and circumvolving function. (See page9-10 for detailed operating instruction)

## Methods of Operation



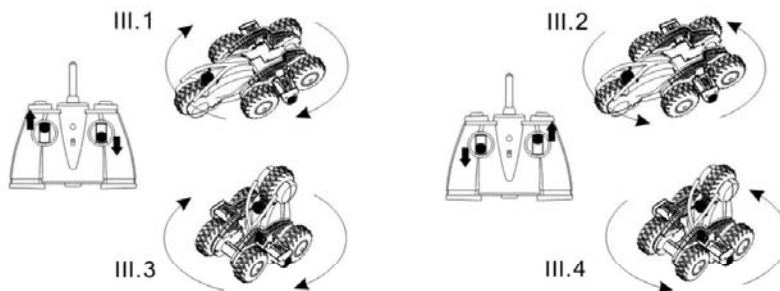
### Methods:

1. Control the Curl button to have the vehicle body curled to the end, the vehicle will show itself round-arc figure. (as per III.2)
2. Control the Forward button to have the car go forward in high speed, then change the running direction in sudden by pressing the Backward button, the car will perform forward-rolling action. (as per III.3 & III.4). The car can roll continuously time after time.

### Cautions:

The car is in high-speed meanwhile adequate space is needed when rolling, make sure to play the car in void environment and keep the car away at least 2 meters distance to avoid any collision to persons or accidentally broken to res.

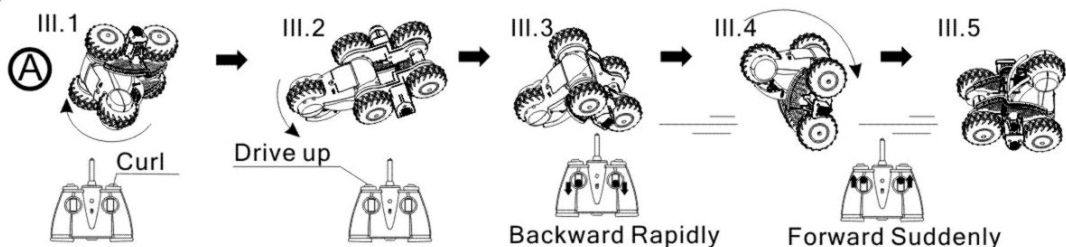
## Methods of Acrobatic Action



**Methods:**

1. Control the left button forward meanwhile control the right button backward, the can will clockwise circumvolve in high speed on the spot.
2. Control the left button backward meanwhile control the right button forward, the can will anticlockwise circumvolve in high speed on the spot.
3. When the car body is driven up, the car can perform acrobatic circumvolving in high speed.

## Methods of Reverting from Overturn during the Acrobatic Action



Reconvert from overturn when in situation A (as per III.1): Control the vehicle body curling button, when the vehicle body is in alignment with the tail ( as per III.2), control the Drive up button to drive up the vehicle body (as per III.3), then perform an rapid backward-roll action and the car will reconvert to normal situation (as per III.4 & III.5).



Reconvert from overturn when in situation B (as per III.6): Control the Drive up button, till the vehicle body is in alignment with the tail ( as per III.7), then that is the reversion

⚠ **Safety Caution:** Should any need to pick up or square up the car when side overturning, be sure to turnoff the switch firstly to avoid accidentally injure.

## Analysis of Breakdowns

Readjust the toy car before sending for repair, because the breakdown is largely caused by low battery.

Conditions of the car	Possible Reasons	Ways for Inspection & Adjustment	Relevant Page
Stop Working or Work Slowly	No battery in the remote controller or the car	Reload the battery	4&5
	Incorrect installation of the battery of remote controller	Reinstall the battery	4
	Low battery of the remote controller	Change for new battery	4
	Low battery of the car	Recharge	5
Out of Control	Low battery of the remote controller	Change for new battery	4
	Interfered by electric wave	Change for new place or wait for a few seconds	
	Interference by same frequency car used nearby	Change for new place or wait for a few seconds	
Remarks: Eliminate all above reasons before sending for repair.			

### Maintenance:

1. Make sure to avoid any man-made broken such as car collision, grinding and staving, falling off and so on.
2. Remove the battery after playing, wipe the toy car clean (do not use any liquid) then put away under room temperature in dry place or toy cabinet.
3. Stop operating immediately in case any broken, meanwhile move the toy away from any flammable materials safely.

**FCC Warning:**

This device complies with part 15 of the FCC Rules. Operation is subject to the following two conditions:

(1) This device may not cause harmful interference, and

(2) this device must accept any interference received, including interference that may cause undesired operation.

Changes or modifications not expressly approved by the party responsible for compliance could void the user's authority to operate the equipment.