

21\*14cm

FOR AGE GROUP 6+

# CRAZY CRAB R/C CAR MSD0904

## Instruction Manual

(Please read this manual carefully before operation)

**Meisida Electronic Toys Co., Ltd.**  
 Add: MSD Bldg, Anping Industry Park (Anhai) Jinjiang Fujian China  
 Tel: 0595-85783295 Fax: 0595-85789296 Zip Code: 362261 Cable: 4388  
 E-mail: meisidatoys@meisida.com  
 Website: http://www.meisida.com  
 Executing standards: GB6675, GB5296.5

### Analysis of Breakdowns

Readjust the toy car before sending for repair, because the breakdown is largely caused by low battery.

Conditions of the car	Possible Reasons	Ways for Inspection & Adjustment	Relevant Page
Stop Working or Work Slowly	No battery in the remote controller or the car	Reload the battery	4&5
	Incorrect installation of the battery of remote controller	Reinstall the battery	4
	Low battery of the remote controller	Change for new battery	4
	Low battery of the car	Change for new battery	5
Out of Control	Low battery of the remote controller	Change for new battery	4
	Interfered by electric wave	Change for new place or wait for a few seconds	
	Same frequency car operated at the same time nearby	Change for new place or wait for a few seconds	

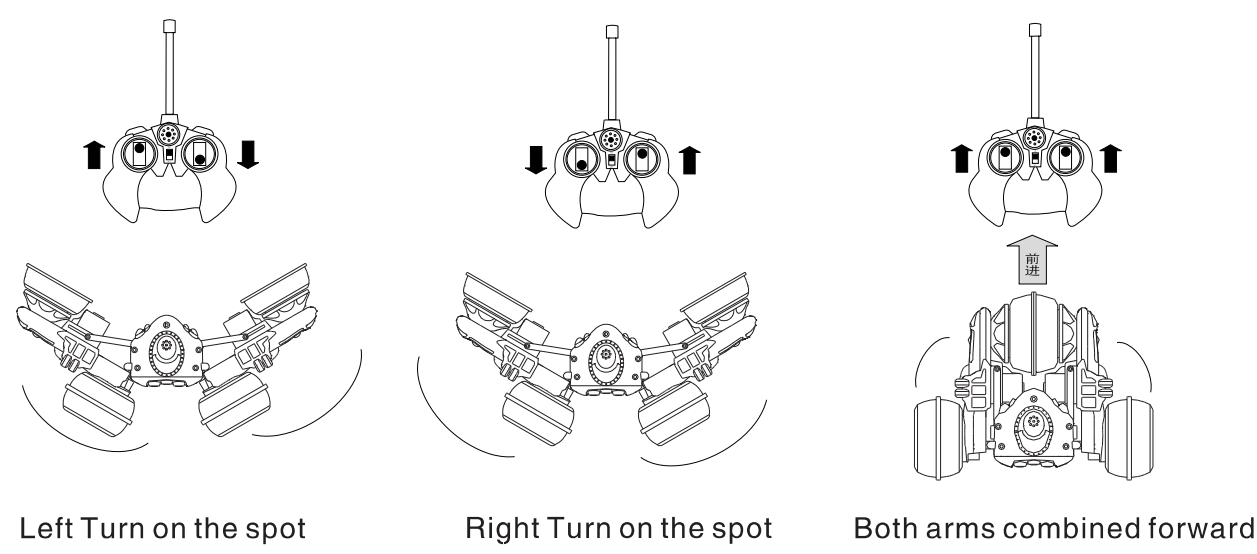
Remarks: Eliminate all above reasons before sending for repair.

#### Maintenance:

1. Make sure to avoid any man-made broken such as car collision, grinding and staving, falling off and so on.
2. Remove the battery after playing, wipe the toy car clean (do not use any liquid) then put away under room temperature in dry place or toy cabinet.
3. Stop operating immediately in case any broken, meanwhile move the toy away from any flammable materials safely.

— 9 —

### Turns on the spot and revert to type



Move the left sticker forward, the right sticker backward; The vehicle will make clockwise turns on the spot, whereas, it will make anticlockwise turns on the spot.  
 Move both stickers forward, both side arms combine and move forward.

— 8 —



### Warnings!

#### How to use the battery

- ▲ The supply terminals are not to be short-circuited;
- ▲ Crust-broken batteries or leaking-out batteries are not to be used;
- ▲ Do not drop the battery into water or fire or even dissolve the battery;
- ▲ Non-rechargeable batteries are not to be recharged;
- ▲ Rechargeable batteries are to be removed from the toy before charged;
- ▲ Different types of batteries or new and used batteries are not to be mixed;
- ▲ Only batteries of the same or equivalent type as recommended are to be used;
- ▲ Batteries are to be inserted with the correct polarity;
- ▲ Exhausted batteries are to be removed from the toy;
- ▲ The battery is not a toy.
- ▲ Do not mix old and new batteries.
- ▲ Do not mix alkaline, standard (carbon-zinc), or rechargeable (nickel-cadmium) batteries.

— 1 —

### Warnings!

#### Cautions in Operation

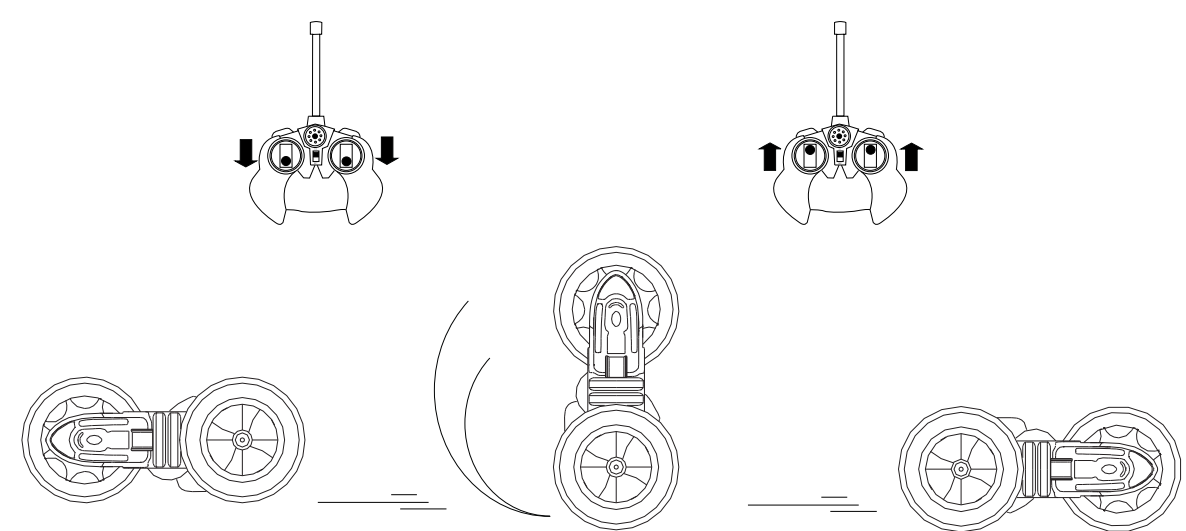
- ▲ Do not play the toy car outdoors when thundering;
- ▲ Do not plug the antenna or other exposed wire into the socket;
- ▲ Do not run the toy car on rainy day or wet surface, this shall lead to breakdown of the car;
- ▲ Do not play the toy car near the broadcasting station or television station or together with other same frequency car so as to avoid being interfered;
- ▲ The toy may have functional sharp-edges, which may occur potential danger to children, make sure to operate the toy under adult supervision;
- ▲ The toy is not intended for children under 3 years old.
- ▲ This device complies with part 15 of the FCC rules. operation is subject to the following two conditions:
  1. this device may not cause harmful interference.
  2. this device must accept any interference received, including interference that may cause undesired operation.

Material used: Plastic, Metal, Electronic Components

Changes or modifications not expressly approved by the party responsible for compliance could void the user's authority to operate the equipment

— 2 —

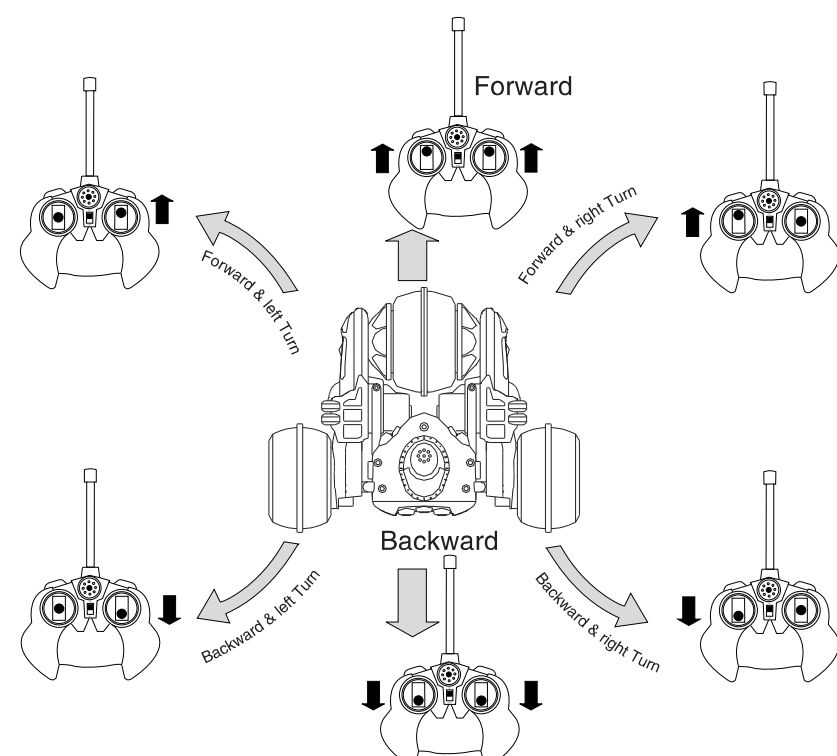
### Skills for stunt features



Move both stickers backward to make vehicle running backward, when it is in a normal speed. Reverse the stickers rapidly. The vehicle will make rolling action.

— 7 —

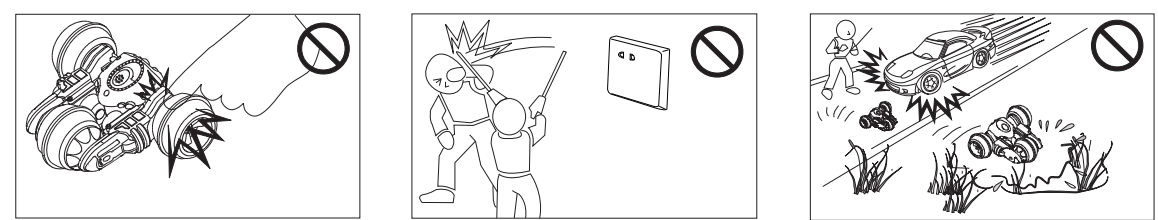
### Indication for the Functions of Remote Controller



Remarks: Slightly move the direction sticker to make turns, very quickly, or the vehicle will make turns on the spot.

— 6 —

### Cautions in Operation



▲ Caution:  
 Don't insert the fingers into the gap between the wings and the wheels & the elevator gap to avoid accidentally injure, children should be paid more attention.  
 Don't touch the wheels when the car switch is turned "ON".

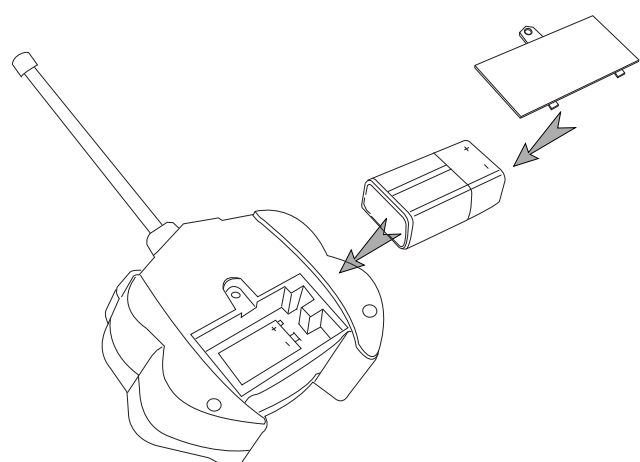
▲ Caution:  
 Don't brandish the antenna or point the antenna to face, accidentally injure may happen in case the antenna tip point into eyes. Should the antenna distorted, please be sure to change it due to it is dangerous.  
 Do not plug the antenna into the socket to avoid electric shock.

▲ Caution:  
 Don't play the car on roads or crowded places to avoid accident.  
 Also don't run the car on the restive places such as wet or sandy surface, this shall lead to breakdown of the toy.

— 3 —

### Loading & Unloading of the Battery

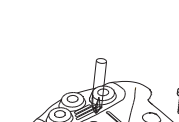
1. Using 9V laminated carbonic battery.
2. Turn "OFF" the switch, poke the panel of the battery cover and take down the battery cover.
3. See below illustration. Install the 9V laminated battery after checking the positive and negative polarity, lock the battery cover.
4. Turn "ON" the switch and the indicated light on, that means the battery is installed correctly. Otherwise reinstall the battery.
5. The duration for continuous operation of the remote controller battery is 8 hours.



— 4 —

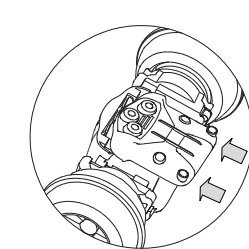
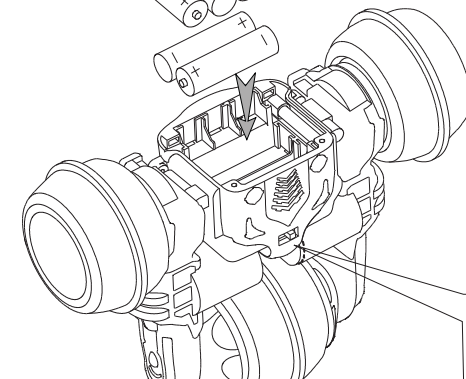
### Loading & Unloading of the Battery of the Toy Car

1. Using 5 x 1.5V AA battery.
2. Turn the switch "OFF"
3. See above illustration. Install the AA battery inside the battery groove follow the positive and negative polarity, put on the battery cover and fix the cover with screw.
4. When the AA battery is exhausted, turn "OFF" the switch, unscrew the cover knob and take out the exhausted AA battery. Reinstall new AA battery.



#### Remarks:

1. Turn the switch "ON", Light & music effects are available, which shows the batteries are installed correctly.



Remarks:  
 2. Put on the battery cover and push as per arrowhead direction to load the batteries.

— 5 —