

Super-express Remote Control Sidewinder

MSD2005



Operation Manual



(Please read this manual carefully before operation)

Meisida Electronic Toys Co.Ltd

Add: No.1 of the 8th Block of Anping Development Zone, Anhai, Jinjiang FuJian, China

Tel:0595-5788889 Zip Code:362261 Cable:4388

Executing standards: GB6675-86, GB5296.5-1996

Suitable Age: Over 6

Description of Features:

MSD2005 Wireless remote control toy car is new multi-function remote control product of our company. In addition to the common functions of speeding forward and backward, turning left and right, and swirling on the spot that are possessed by common four-access remote control cars, it also boasts typical features of cross ride, sideway ride and head-up speedy ride accompanied by flickering lights.

- Its sturdy chassis and highly-sensitive wheel motivation, together with your expert riding, you can emulate the thrilling performances such as doing sharp turns and avoiding hindrances.
- Its broad wheels suitable for field tours and the typical features of cross ride, sideway ride make it well adaptable to different states of the grounds.
- Its new stylish design, together with plane-like tailpiece, is really the indication of strong power.



Warnings!

1. How to use the charger

- The plug shall be pulled off immediately in case of smoke, strange smell or noise so as to prevent fire or electric shock. And it shall be available again after repair.

2. How to use the charger

- Use the battery in strict accordance with the regulations in this manual.

Cautions!

1. How to use the charger

- Do not touch the plug or socket with wet hand to avoid electric shock.
- Pull the plug upon completing the charger for the risk of fire.

2. How to use the battery

(Improper use of battery may lead to dangers such as heat, breakage or leakage. Note the following items)

- Strictly observe the methods and cautions of the operation manual.
- Avoid short circuit as it may lead to great currents.
- Leakage from the battery may hurt skin. Cleanse the skin when contaminated
- Do not drop the battery into water or fire or even dissolve the battery
- Keep off fire, heat, and wet places for operation, charging or storage.
- No more charging upon completion. Overcharging may be hazardous.
- Make sure to install the positive and negative poles correctly.
- Switch off upon the end of play and take out the battery of the car.
- Take out the battery of the transmitter if not play for long period.

Cautions!

3. Cautions in play:

(Please note the following Items for the sake of avoiding accidents)

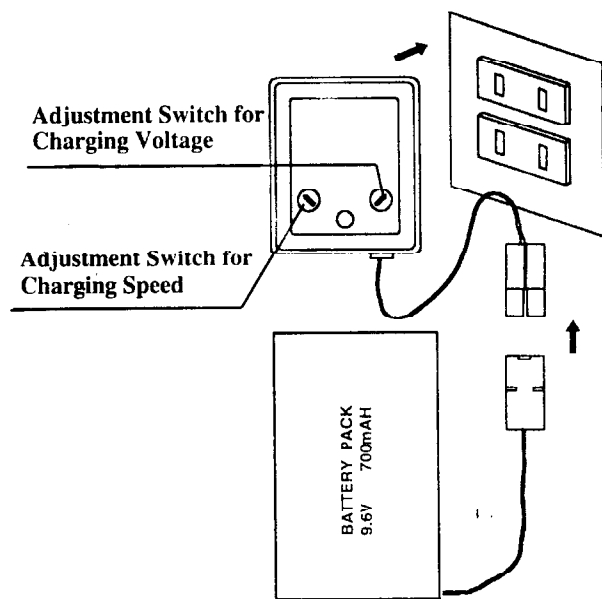
- Play on roads or crowded places may be risky, choose a safe outdoor place for operation.
- Do not distort the antenna or the twist may injure people.
- Do not damage glass or furniture when play indoors.
- Avoid the risk of finger or hair's being involved when the wheel is in operation.
- Turn on the car before turning on the remote controller, while do this in an opposite way at the end of the play.

4. Rules for play:

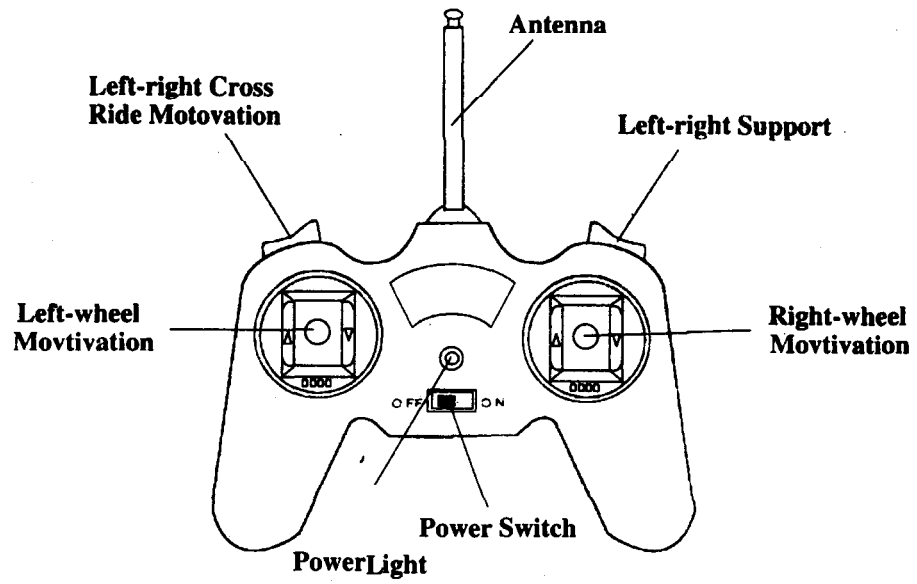
- Do not run the toy car on rainy day or wet surface, this shall lead to breakdown of the car.
- Avoid operation on soil or fine sand.
- Do not keep the car near to the high-temperature place.
- Do not store the car in heating room or places next to fire.
- Do not play near some wireless transmission facilities.
- Do not play next to some remote control car of the same frequency so as to avoid interference.
- Changes or modifications not expressly approved by the party responsible for compliance could void the user's authority to operate the equipment.

Charging Ways of the Battery

1. Join the plug of the battery with that of the charger correctly. See illustration.
2. Turn the adjustment switch for the voltage of the charger to the zero point of 9.6v.
3. Turn the adjustment switch for the speed of the charger to zero points of QUICK or STANDARD (QUICK for speedy charging that involves a period of 3-4 hours; STANDARD for normal charging that involves a duration of 10-12 hours.)
4. Insert the plug of the charger into a household power socket.
5. After a designated time for charging, pull off the charger and plug of the battery.



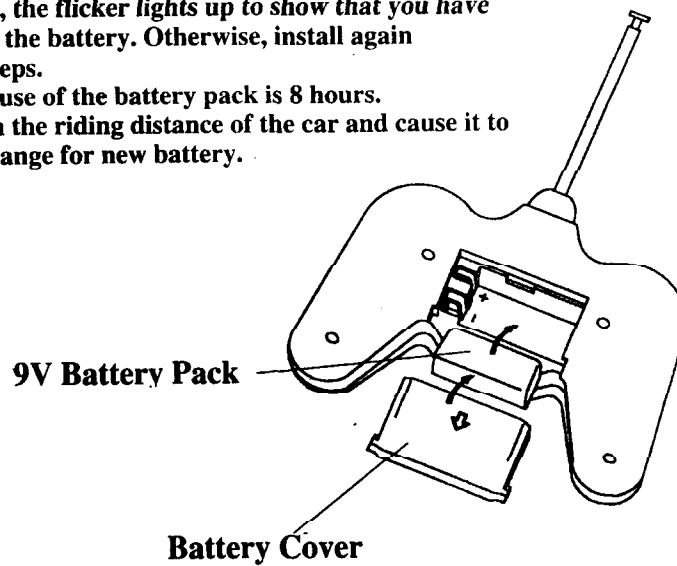
Indication for the Functions of Remote Controller



Loading and Unloading of the Battery for Remote Controller

Loading and Unloading of the Battery of the Remote Controller

1. See the illustration, open the battery cover and install 9V laminated battery pack after checking the positive and negative poles.
 2. Cover the battery pack.
 3. When the switch is "ON", the flicker lights up to show that you have been correct in installing the battery. Otherwise, install again according to the above steps.
- Duration for continuous use of the battery pack is 8 hours.
 - Low battery may shorten the riding distance of the car and cause it to become less sensitive. Change for new battery.

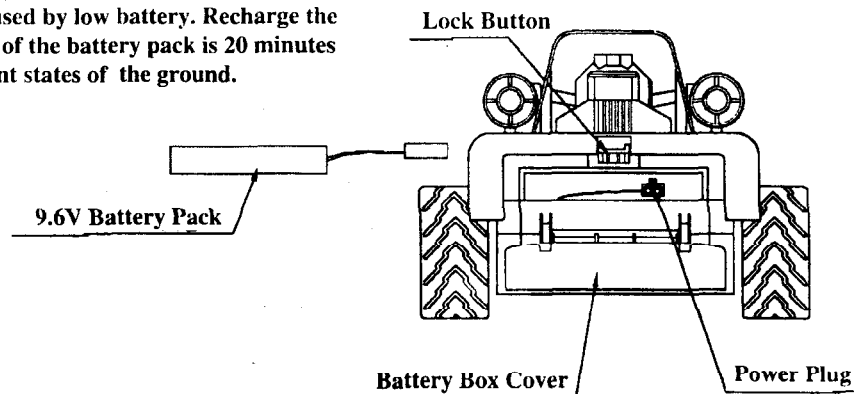


Loading and Unloading of the Battery for the Car

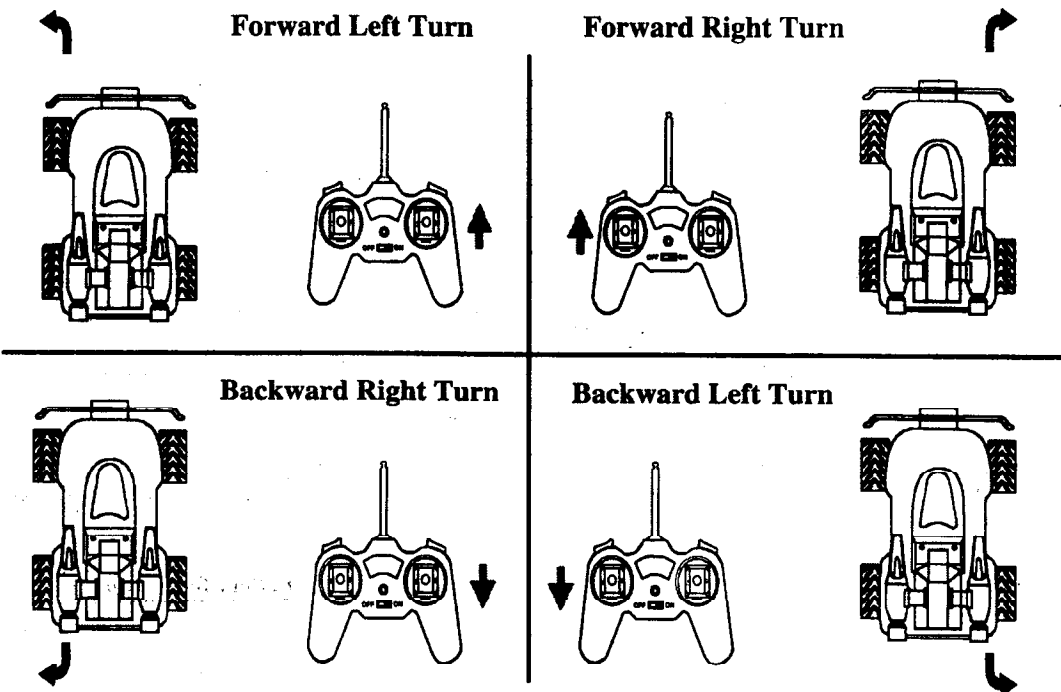
Loading and Unloading of the Battery for the Car

1. Confirm that the switch is OFF, push the lock of the battery cover, and open the cover.
2. Joint the plug of the battery and that of the car body, and put the battery pack inside the box.
3. Cover the battery and lock the cover.

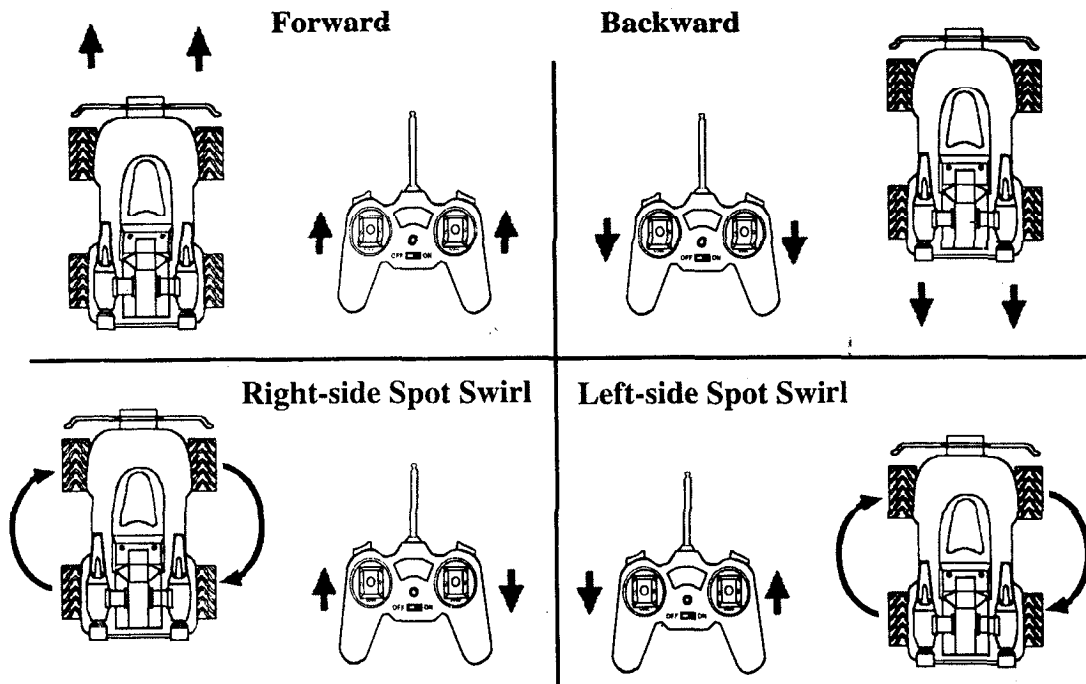
*Slowing down of the car may be caused by low battery. Recharge the battery. Duration for continuous use of the battery pack is 20 minutes and it may differ according to different states of the ground.



Operation Methods



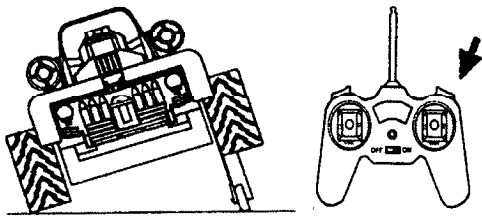
Operation Methods



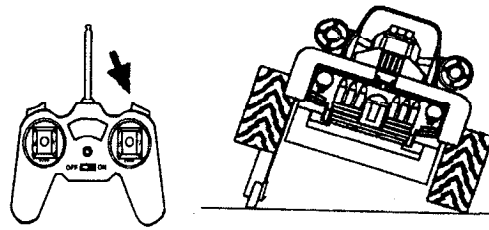
Remarks: Swirling on rough floor will cause quick exhaust of the power, please choose to play on smooth floor.

Operation Methods

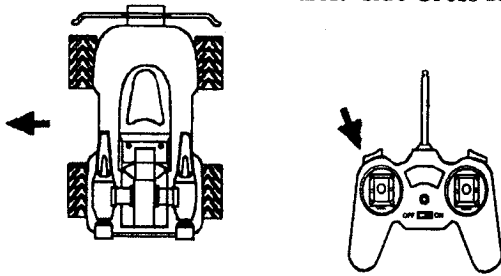
Left-side Slant



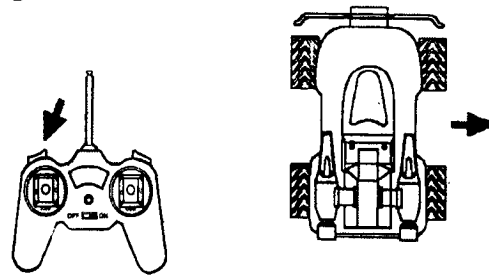
Right-side Slant



Left-side Cross Ride



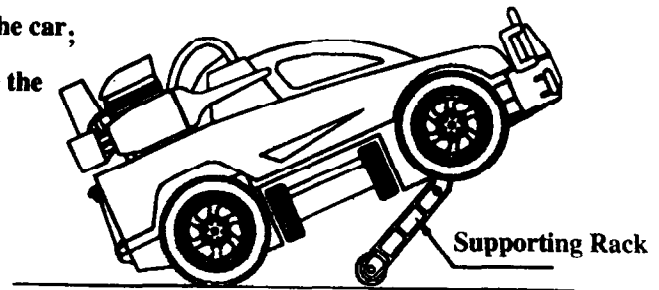
Right-side Cross Ride



Operation Methods

Head-up Forward

- 1) Raise one of the supporting racks to slant the car;
- 2) Move the car backward;
- 3) Speed up and reverse the direction to make the car move forward.



Attention: 1) In the operation of single-rack-support movement, the supporting rack will shrink back when meet with hindrance or great bumps.
2) Multi-engines have been used for realizing multi-functions of this toy car. Please avoid repeated movements toward a single Direction for cross ride, or one single rack will have to prop up the car against the floor. In case likes this, just reverse the direction of the cross ride or use the remote controller to take the supporting racks back. If the car has been propped up both of the supporting racks , reverse the racks to make them spring back in position.

Analysis of Breakdowns

Readjust the toy car before sending for repair, because the breakdown is largely caused by low battery.

Conditions of the Car	Reasons	Ways for Inspection & Adjustment	Relevant Page
Stop Working	No battery in the remote controller or the car	Reloading the battery	7
	Incorrect installation of the battery of remote controller	Reinstalling the battery	6
	Low battery of the remote controller	Changing for new battery	6
	Low battery of the car	Recharging	4
Out of Control	Low battery of the remote controller	Changing for new battery	6
	Hindered by the battery	Changing for new place or wait for a few seconds	
	Operation of remote control car at the same cycle nearby	Changing for new place or wait for a few seconds	
Easy Exhaust of Battery or Hard Acceleration	Low battery	Recharging	4
	Exhaust of the battery	Changing for new battery	