

Super-express Radio Control Battle Tank

MSD2002



Operation Manual



(Please read this manual carefully before operation)

Meisida Electronic Toys Co. Ltd

Add: No.1 of the 8th Block of Anping Development Zone, Anhai, Jinjiang, FuJian, China

Tel: 0595-5788889 Zip Code: 362261 Cable: 4388

Executing Standards: GB6675-86, GB5296.5-1996

Suitable Ages: Over 6



Warnings!

1. How to use charger
 - The plug shall be pulled off immediately in case of smoke, strange smell or noise so as to prevent fire or electric shock. And it shall be available again after repair.
2. How to use the battery
 - Use the battery in strict accordance with the regulations in this manual.
3. How to use the incendiary
 - *The incendiary is not edible, keep away from fire.

Cautions!

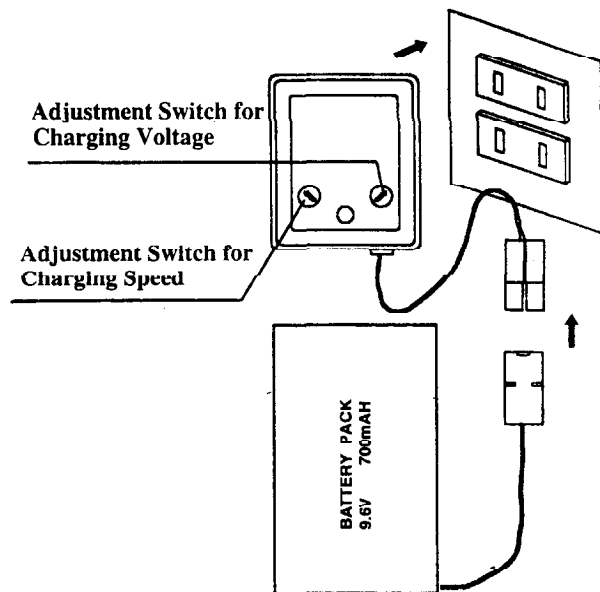
1. How to use the charger
 - Keep wet hands off plug and socket to avoid electric shock.
 - Pull off the plug of the charger upon completion, so as to avoid fire.
2. How to use the battery
(Incorrect use of battery may lead to risks such as heat, breakage, or leakage. Note the following items.)
 - Strictly follow the ways and cautions listed in this manual.
 - Abstain from operation in short circuit, or it may lead to hazards.
 - Abstain from using leaking battery and make proper treatment of it, keep off human body, skin and organs, so as to avoid injury
 - Abstain from casting waste battery into water, fire, or dissolving the battery

Cautions

- Keep off fire, heat, and wet places for places for operation, charging or storage.
 - No more charging upon completion. Overcharging may be hazardous.
 - Make sure to install the positive and negative poles correctly.
 - Switch off upon the end of play and take out the battery of the car.
3. Cautions in the operation:
(To avoid accidents, please note the following items)
- Running the car on roads or crowded places may be dangerous ,choose safe sites when play outdoors.
 - Do not distort the antenna or the twist may cause injury.
 - Keep off glass or furniture when play indoors.
 - Avoid the risk off involving finger or hair when the wheel is in operation.
 - Apply incendiary to the tank prior to operation.
 - Turn on the car before turning on the remote controller to begin the operation. It is the opposite at the end of play.
4. Cautions in play
- Do not run the car on rainy days or wet surfaces, or breakdowns may be caused.
 - Keep off running on fine soil or sand as it may lead to accidents,
 - Do not play outdoors when thundering,
 - Do not play near some wireless transmitting facilities.
 - Do not play near some remote control car that is of the same frequency so as to avoid being interfered.
 - Changes or modifications not expressly approved by the party responsible for compliance could void the user's authority to operate the equipment.

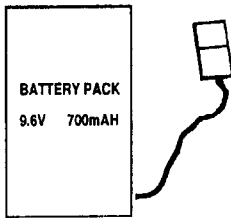
Charging Ways of the Battery

1. Join the plug of the battery with that of the charger correctly. See illustration.
2. Turn the adjustment switch for the voltage of the charger to the zero point of 9.6v.
3. Turn the adjustment switch for the speed of the charger to zero points of QUICK or STANDARD (QUICK for speedy charging that involves a period of 3-4 hours; STANDARD for normal charging that involves a duration of 10-12 hours.)
4. Insert the plug of the charger into a household power socket.
5. After a designated time for charging, pull off the charger and plug of the battery.



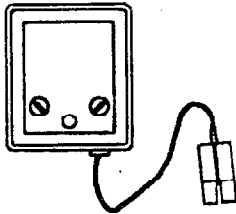
Names of Parts

9.6V Battery Pack



9.6v Charger

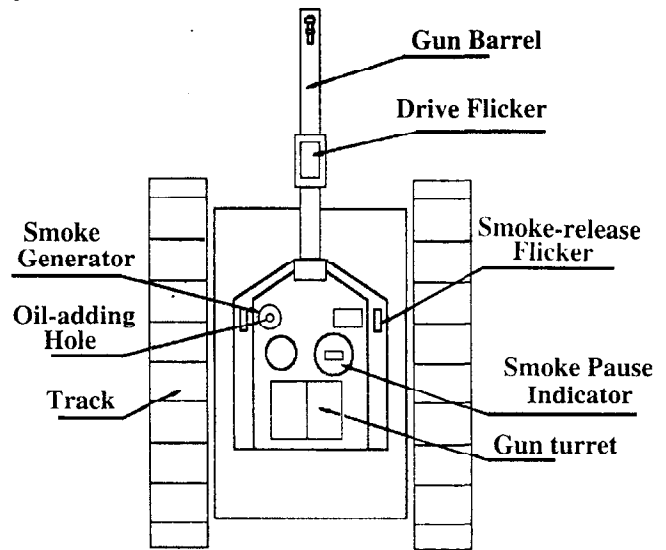
INPUT: AC Household Voltage 50HZ
OUTPUT:DC 4.8,6,7.2,8.4,9.6V



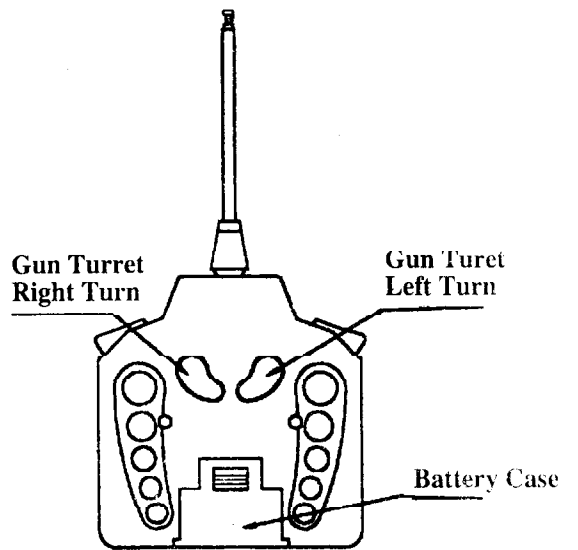
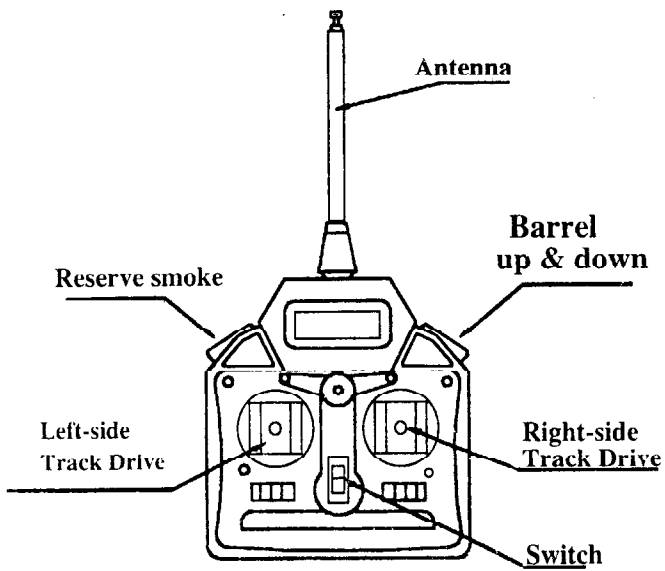
9.0VLaminated Battery



Body of the Car



Remote Controller

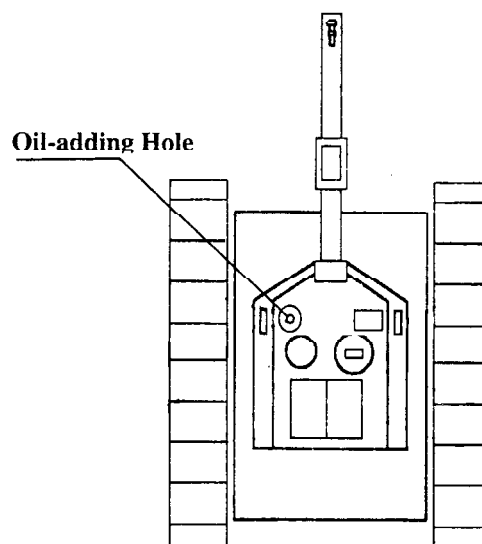
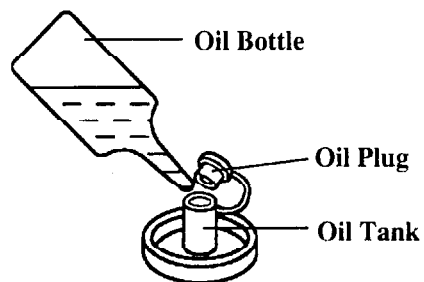


Addition of Incendiary

1. Open the plug of Oil-adding hole
2. Add incendiary to the tank
3. Insert the plug.

Remarks:

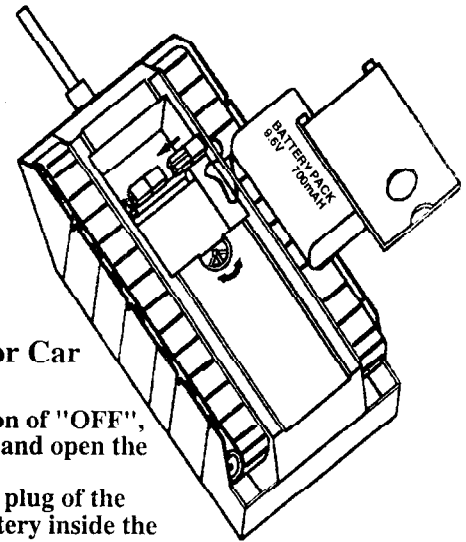
1. Sewing machine oil is used for the incendiary for the smoke system of the car.
2. Fill the oil tank before operation if the toy is used for the first time or has been kept for a long period.
3. Check the transparent oil tank before play; if there is no any oil ,add some before use. Half of the tank will do and please refill upon exhaust.



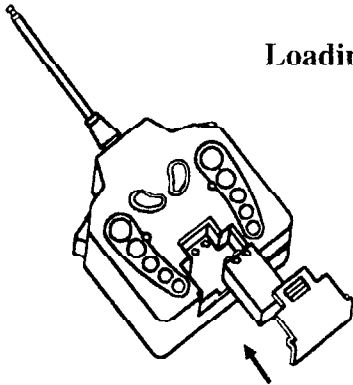
Loading & Unloading of the Battery

Loading & Unloading of the Battery for Remote Controller

1. Open the battery cover ,install a 9V laminated battery after checking the positive and negative poles.
2. Close the battery cover.
3. The indicator lights up when the switch is "ON", position to show the battery has been installed properly. Otherwise, install again according to the procedures above.
 - The duration for continuous use of the battery of the remote controller is 8 hours.

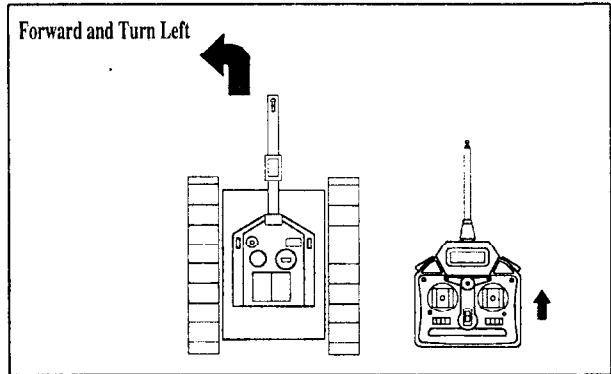
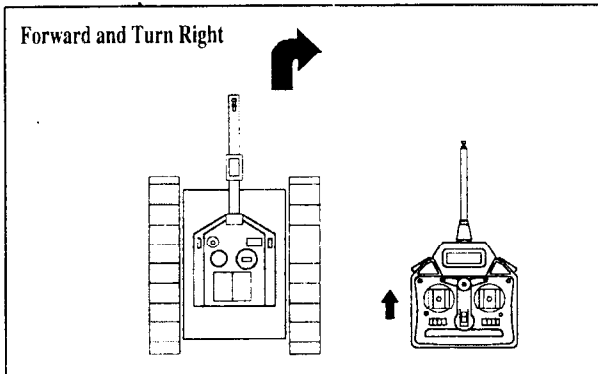
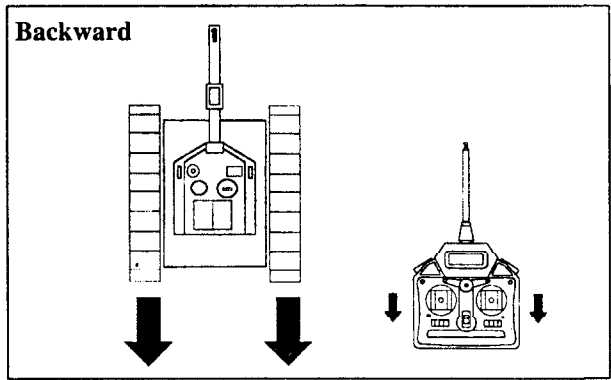
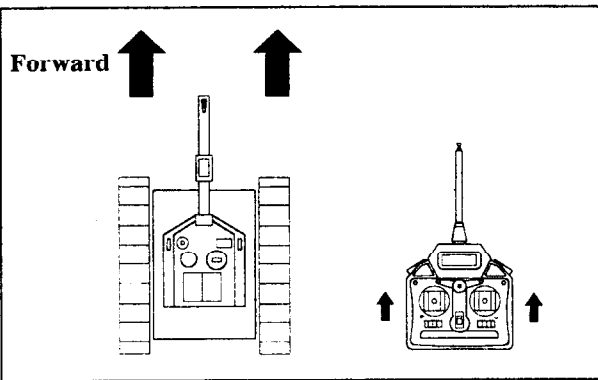


Loading & Unloading of the Battery for Car

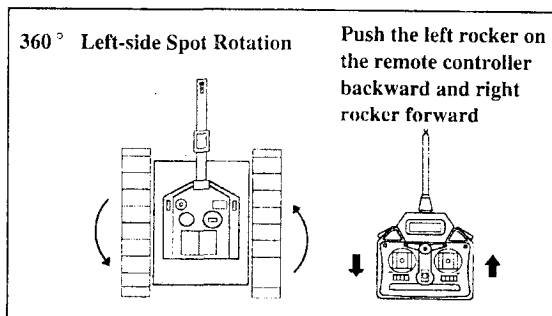
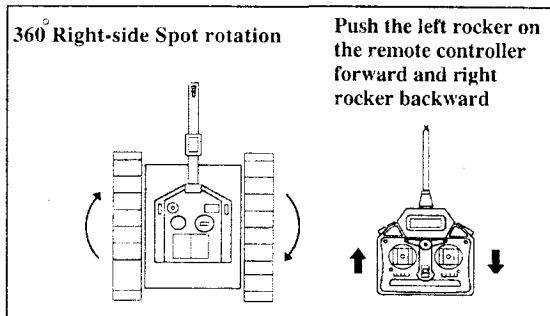
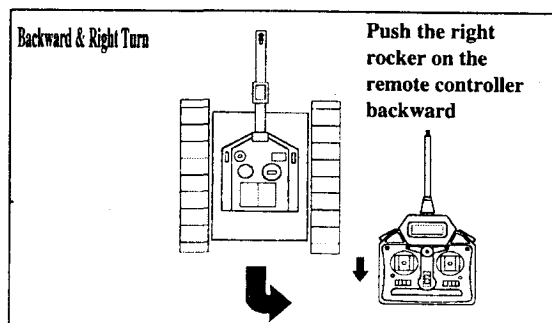
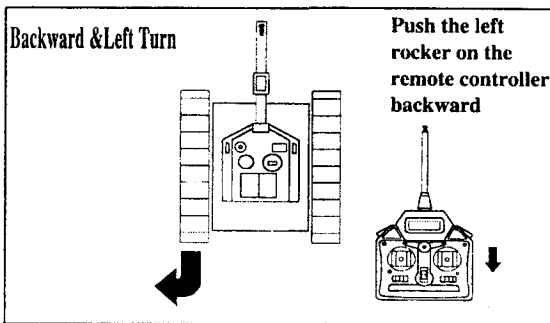


1. Confirm that switch is at the position of "OFF", turn loose the lock of battery cover and open the battery cover.
2. Join the plug of the battery and the plug of the power supply of the car, put the battery inside the battery case.
3. Cover the battery case and fasten the lock to close the cover.
 - *Deceleration of the car may be caused by low battery. Recharge the battery. The duration for continuous use of fully charged battery is 20 minutes. It may differ according to different road conditions and moving states.

Operation Methods



Operation Methods

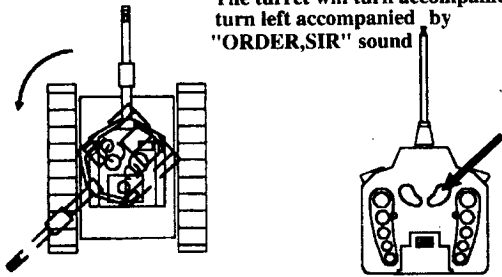


- Remarks:**
1. The track may slip out if it is hindered when the car is doing high-speed rotation on bumpy surface or lawn. The clutch slips and emits "crack" sounds though this does no harm to the toy. Avoid rotating the car on bumpy surfaces or lawn.
 2. If the track slips out, reverse the direction of the tracks on both side or switch off and use your hand to put them back in action.

Operation Methods

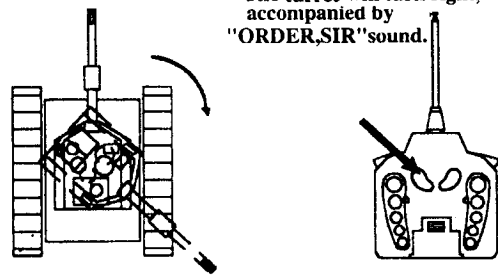
Turret Left Turn

Push the left rocker on the back of the remote controller, The turret will turn accompanied turn left accompanied by "ORDER,SIR" sound



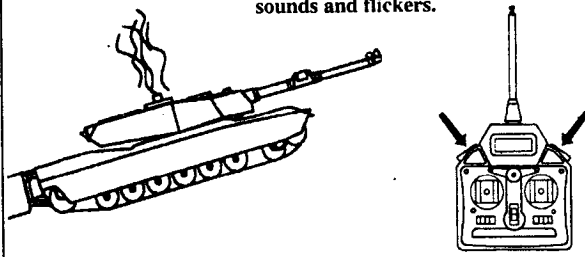
Turret Right Turn

Push the right rocker on the back of the remote controller, The turret will turn right, accompanied by "ORDER,SIR" sound.



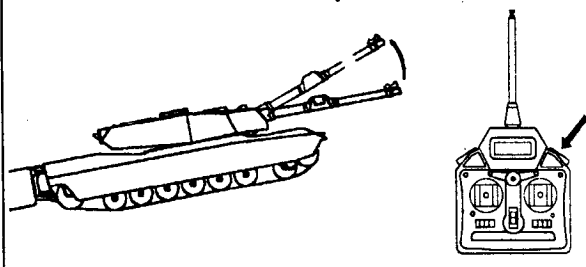
Smoke

Push the left button of the remote controller for 2-3 seconds, then push the right one, The tank will smoke, Barrel up & down, accompanied by sounds and flickers.



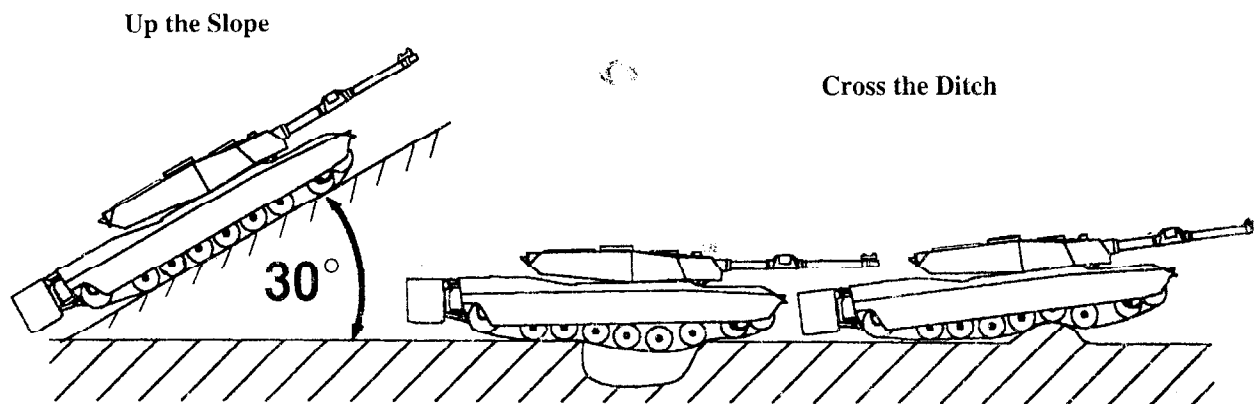
Barrel up & Down

Push the right button of the remote controller, The barrel will up & down, accompanied by sounds and flickers.



Field Fight

The remote control car is capable of field tour. It can ride on 30° slope or in a straight line on bumpy roads.



Analysis of Breakdowns

Before sending out for repair, readjust the car because most of the breakdowns have been caused by low battery.

Conditions of the Car	Reasons	Ways for Inspection & Adjustment	Relevant Page
Stop Working	No battery in the remote controller or the car	Reloading the battery	7
	Incorrect installation of the battery of remote controller	Reinstalling the battery	7
	Low battery of the remote controller	Changing for new battery	7
	Low battery of the car	Recharging	3
	The Frequency of transmitter is different from the one of tank.	Change the transmitter	
Out of Control	Low battery of the remote controller	Changing for new battery	7
	Interference by some waves	Changing for new place or wait for a few seconds	
	Operation of remote control car at the same cycle nearby	Changing for new place or wait for a few seconds	
Easy Exhaust of Battery or Hard Acceleration	Low battery	Recharging	3
	Expiration of the battery	Changing for new battery	7