

mellerware®

makes life easier

LIQUAFRESH juice extractor



Juices fruit effortlessly

Stainless steel blades and
mesh filter

Removable pulp container

Recip book included

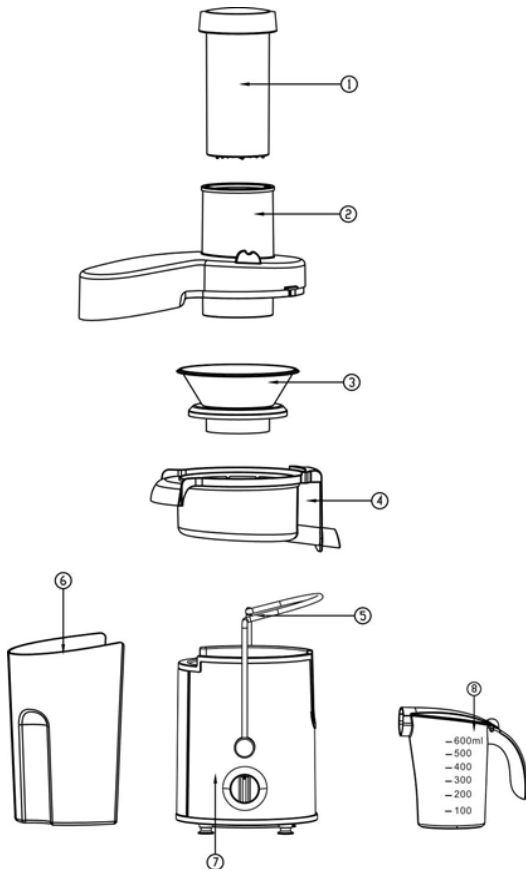


complies with
INTERNATIONAL
IEC60335
SAFETY SPECIFICATIONS

m
600W

2 YEAR
GUARANTEE

Model:
26300B



- | | |
|-----------------------------|----------------------------|
| 1. Pushing bar | 5. Handle |
| 2. Transparent cover | 6. Residue barrel |
| 3. Juicing net | 7. Main machine |
| 4. Middle ring | 8. Juice receptacle |

- Read all these instructions carefully before switching on the appliance and keep them for future reference.
Failure to follow and observe these instructions could lead to injury.

- Clean all the parts of the appliance that will be in contact with food, as indicated in the cleaning section, before use.

Use or working environment:

- The appliance must be used and placed on a flat, stable surface.

Electrical safety:

- Do not use the appliance if the power cord or plug is damaged.
- Ensure that the voltage indicated on the

rating label matches the mains voltage before plugging in the appliance.

- Connect the appliance to a socket that can supply a minimum of 10 amps.
- The appliance's plug must fit into the wall socket properly. Do not alter the plug. Do not use plug adaptors.
- Do not use the appliance if it has fallen or if there are visible signs of damage.
- Do not force the power cord. Never use the power cord to lift up, carry or unplug the appliance.
- Do not wrap the power cord around the appliance.
- Check the state of the power cord. Damaged or tangled power cords increase the risk of electric shock.
- If using the appliance outdoors, use a suitable cord extension.
- Do not touch the plug with wet hands.

Use and care:

- Fully unroll the appliance's power cord before each use.
- Do not use the appliance without its filter(s) correctly in place.
- Do not use the appliance if the speed selection dial does not work.
- Do not move the appliance while in use.
- Do not turn the appliance over while it is in use or while it is connected to the wall socket.
- Disconnect the appliance from the wall socket when it is not in use and before undertaking any cleaning task.

- This appliance is for household use only, not professional or industrial use.

- This appliance is intended for adult use.

Ensure that this product is not used by the disabled or children.

- This appliance should be stored out of reach of children and/or the disabled.

- To push out the food from the tube always use the food pusher accessory, never use your finger or other accessories.

- Any misuse or failure to follow the instructions for use renders the guarantee and the manufacturer's liability null and void.

Instructions for use:

Before use:

- Make sure that all the product's packaging





has been removed.

- Before using the product for the first time, clean all the parts that will come into contact with food in the manner described in the cleaning section.

Use:

- Unroll the power cord completely before plugging it in.
- Connect the appliance to the wall socket.
- Place the juice receptacle at the juice delivery tube.
- Start the appliance; turn the speed selection dial to the desired speed.

ATTENTION: If the locking handle is not properly fitted the appliance will not start.

- Add the fruit or vegetables through the loading tube.
- Gently push down the food pusher accessory.
- The juice and residue will be separated automatically: the juice will go towards the juice receptacle and the residue will go to the pulp container.

- **N.B.** If you process a large quantity of fruit, you must periodically clean the filter and remove the remains of the pulp.

Operating time:- after operating for 30 seconds, stop for 1 minute, then use again. After the above operation is performed three times, stop use for 15 minutes. This way the service life of the machine will be prolonged.

Once you have finished using the appliance:

- Leave the motor on for a few seconds allowing the juice to be completely squeezed out.
- Stop the appliance, selecting position "0" on the speed selection dial
- Unplug the appliance from the wall socket.
- Clean the appliance.

Cleaning:

- Unplug the appliance from the wall socket and let it cool before starting any cleaning.
- Disassemble the appliance in accordance with the following steps:

- Before opening the liquidiser, ensure that the motor has been completely switched off.
- Lower the locking handle.
- Remove the food pusher and the protective cover.
- Remove the filter and the filter body by pulling on the filter body.
- Remove the pulp container.
- Clean the equipment with a damp cloth with a few drops of washing-up liquid and then dry.
- Do not use solvents, or products with an acid or base pH such as bleach, or abrasive products, for cleaning the appliance.
- Never submerge the appliance in water or any other liquid or place it under running water.
- The following pieces may be washed in a dishwasher, but should only be placed in the top rack and should not be squeezed into small spaces that may cause the plastic to distort in shape:
 - Food pusher
 - Protective cover
 - Removable filter
 - Filter holder
 - Pulp container

Anomalies and repair:

- Take the appliance to an authorised technical support service if problems arise. Do not try to dismantle or repair without assistance, as this may be dangerous.
 - If the connection to the mains has been damaged, it must be replaced and you should proceed as you would in the case of damage.
- Ecology and recyclability of the product:
- The materials of which the packaging of this appliance consists are included in a collection, classification and recycling system. Should you wish to dispose of them, use the appropriate public containers for each type of material.
 - The product does not contain concentrations of substances that could be considered harmful to the environment.
 - Should you wish to dispose of the product once its working life has ended, take it to an authorised waste agent for the selective collection of waste from electric and electronic





creative housewares

🏠 20 Tekstiel Street, Parow, Cape Town, 7493, South Africa

✉ P.O. Box 6156 Parow East, 7501, South Africa

☎ +27 21 931 8117 📠 +27 21 931 4058

Service Centre Helpline: 086 111 5006

🌐 www.creativehousewares.co.za

