

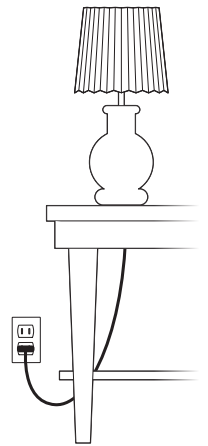
Setup Guide

4

Determine the best location for the Control Unit. The Control Unit will need to be plugged in at all times.

It needs to be located in an area that has good WiFi signal as well as within 200 feet of the Valve Unit.

Walls, electrical equipment and other materials may affect this range.



1

This guide will help you connect your WiFi AquaTimer to your home WiFi network using a smartphone or tablet.

After the initial setup, you can program your timer from a smart phone, tablet or computer.

If at any time you need assistance, feel free to contact our support toll-free at:

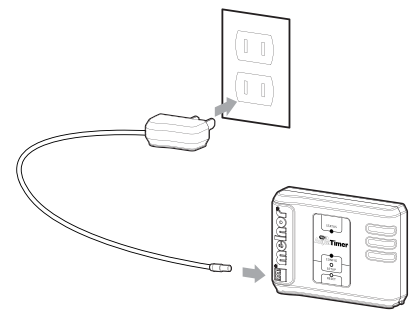
844-MELNOR1 (844-635-6671)

or by email at: wifisupport@melnor.com

5



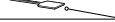

Use the included power adapter to connect the Control Unit to an indoor wall outlet.

You should see flashing LED lights, alternating between "STATUS" and "CONFIG".



2

After opening the package, please ensure you have all parts.

- Valve Unit 
- Control Unit 
- Yellow Setup Tool 
- Power Adapter 

If you discover that you are missing a part, please contact us: 844-MELNOR1 or wifisupport@melnor.com

6

Ensure that your smartphone or tablet is connected to the WiFi network you want to use for your WiFi AquaTimer.

If not, switch your WiFi network in the smart device settings.

This is for setup only. Once connected, you can control your timer from anywhere.

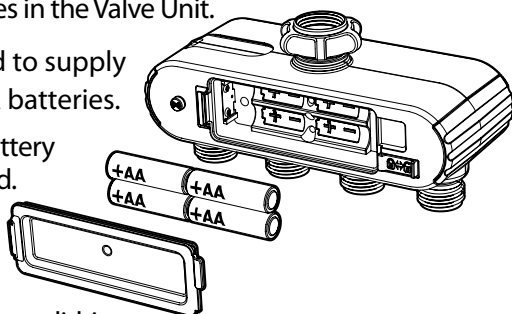


3

Install batteries in the Valve Unit.

You will need to supply 4 alkaline AA batteries.

Ensure the battery cover is locked.



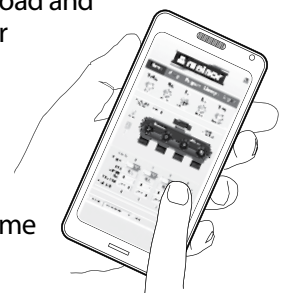
Note: Do not use lithium or rechargeable batteries in this product.

7

On your smart device, download and install the "Melnor AquaTimer Configuration" app.

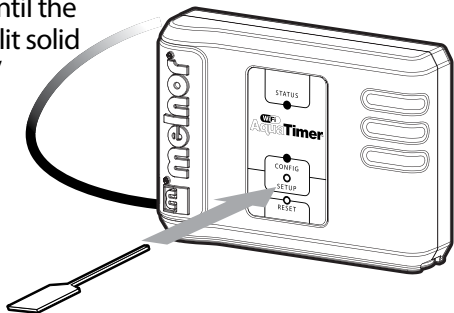
Before launching the app, proceed to step 8.

The app is only used to connect the timer to your home WiFi network.



8

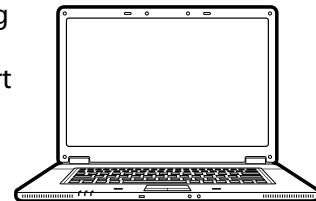
Remove the Yellow Setup Tool from the bottom of the Control Unit and gently push it into the "Setup" button until the "CONFIG" light is lit solid and the "STATUS" light goes out.



12

You no longer need the Melnor AquaTimer Configuration app. You can turn it off and uninstall it at anytime. If you ever need to setup your timer on another WiFi network, you can easily reinstall the app.

Moving forward, everything can be completed using any web browser on a smart phone, tablet or computer.

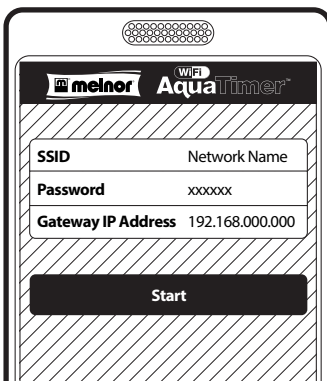


9

Launch the app.

Beside "SSID" you should see the name of your WiFi home network.

If you don't see the correct network name, your smart device is not connected to the WiFi network.



13

Go to: www.wifiaquatimer.com

Click on "Register" on the top menu bar.

Follow the prompts to setup your account.

Once registered, you will need to log in using the password you just created.

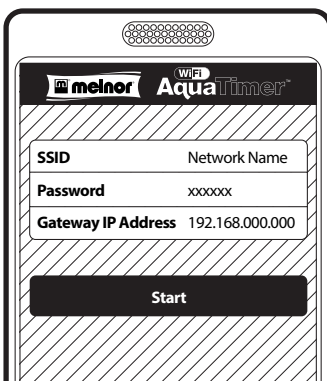
Note: It is important for you to remember your login information. You will need to access this website to program and review your WiFi AquaTimer.

10

Enter the network password for your WiFi home network.

The app will use this information to add your WiFi AquaTimer to your WiFi home network.

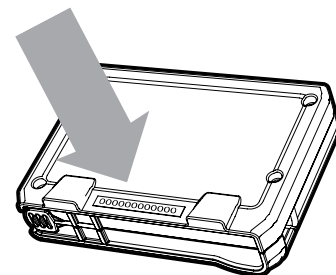
Press "Start".



14

The website will then prompt you to enter the serial number of your Control Unit.

You can find the 12-character serial number on the back of the Control Unit.



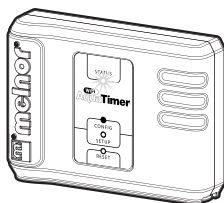
11

On the Control Unit, watch for the Config light to go out and the Status light to begin flashing.

This process may take several minutes. Please be patient.

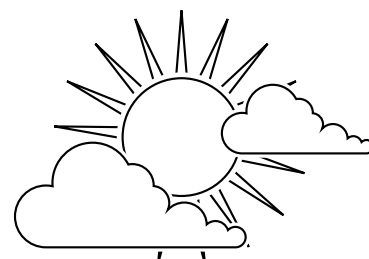
Congratulations, the Control Unit is now connected to your home WiFi network.

Note: Depending on your network, the app may or may not confirm the connection. If the Status light has started blinking, the unit is connected.



15

Next, you enter your postal code. This information is used to provide local weather information.



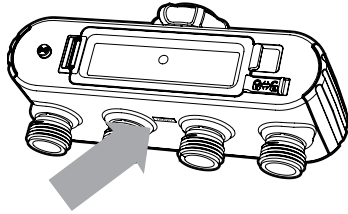
16

The website will then prompt you to enter the 4-character serial number of your Valve Unit. The serial number is printed on the bottom of the unit.

Press "Finish Registration".

The website will take you to the Home page.

During setup, It may take a few minutes for all information to be visible on the home page.



18

The Valve Unit has four Zones or water outlets to attach hoses. Each Zone can have its own watering program.

Tip: You may want to leave one outlet unprogrammed for everyday use with a hose and nozzle.

To enter a program, click "Edit" under the Zone you want to program.

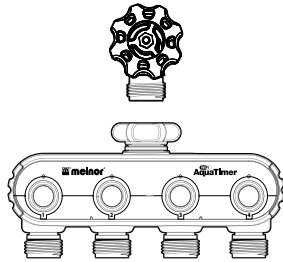
Remember, you can now log in to your account from any smart phone, tablet or computer.

17

Attach the Valve Unit to an outside faucet. Firmly tighten the coupling nut. Do not overtighten.

Turn the faucet on and leave it on while the timer is in place.

Attach a hose to each outlet you want to use. You can then attach sprinklers, soaker hoses or drip style watering systems.



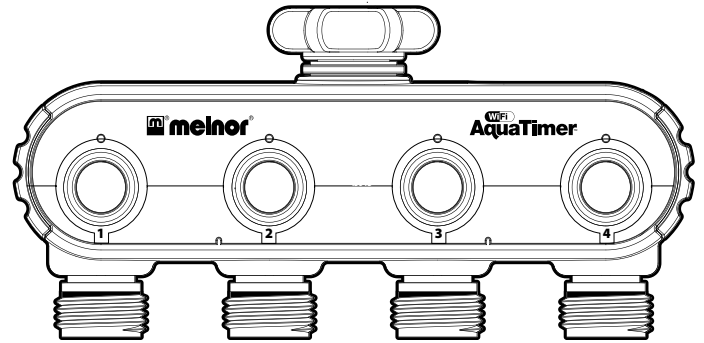
19

Watering programs can be either "Simple" or "Advanced." The grid below is to help you plan your watering before you begin programming.

For "Advanced" programming, after clicking "Edit", change the Zone Editing Mode from "Simple" to "Advanced." This will provide additional programming options.

Simple Program

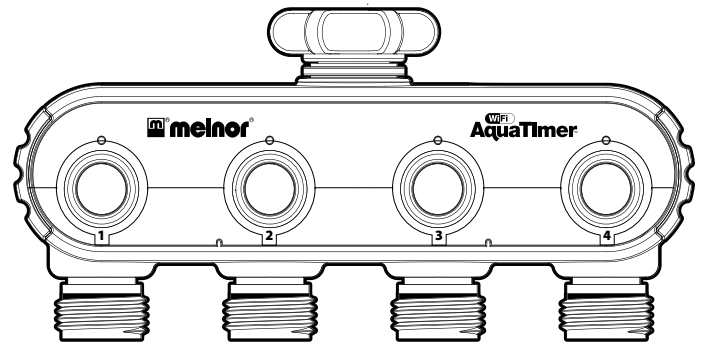
Use this grid to determine your watering needs before you begin programming.



Zone	Zone1	Zone 2	Zone 3	Zone 4
Start Water Select the Start Time of the first watering cycle of the day. All watering cycles must be complete by 11:59 p.m.				
Water For (min) How many minutes would you like to water?				
Water Every How often do you want to water? Once every 4, 6, 8 or 12 hours -or- Once every 1, 2, 3, 4, 5, 6 or 7 days?				
Eco Mode Saves water by repeatedly opening and closing the valve during the watering cycle, allowing more soak-in and less run off. (ON/OFF)				

Advanced Program

Use this grid to determine your watering needs before you begin programming.



Zone	A zone is what is watered from one of the timer outlets. You can easily name Zones under Setup.	Zone1	Zone 2	Zone 3	Zone 4
Watering Mode	Select from Multiple Days (to select specific days of the week); Even Days (even numbered calendar days); Odd Days (odd numbered calendar days)				
Select Day(s) to Water	If you selected Multiple Days above, choose which days you want to water. Each watering cycle can be different.				
Start Water	Select the Start Time for each watering cycle. All watering cycles must be complete by 11:59 p.m. In Advanced Mode, each cycle can have its own start time.				
Water For (min)	How many minutes would you like to water? In Advanced Mode, each cycle can have its own watering duration.				
Eco Mode	Saves water by repeatedly opening and closing the valve during the watering cycle, allowing more soak-in and less run off. (ON/OFF) In Advanced Mode you can determine specific lengths for the watering (ECO Time On) and soaking periods (ECO Time Off).				



Melnor, Inc., 109 Tyson Drive, Winchester, Virginia 22603, U.S.A.

FCC 15.19(a) (3): This device complies with part 15 of the FCC Rules. Operation is subject to the following two conditions:
 (1) This device may not cause harmful interference, and
 (2) This device must accept any interference received, including interference that may cause undesired operation.

FCC 15.105 (b): This equipment has been tested and found to comply with the limits for a Class B digital device, pursuant to Part 15 of the FCC Rules. These limits are designed to provide reasonable protection against harmful interference in a residential installation.
 This equipment generates, uses, and can radiate radio frequency energy and, if not installed and used in accordance with the instructions, may cause harmful interference to radio communications. However, there is no guarantee that interference will not occur in a particular installation. If this equipment does cause harmful interference to radio or television reception, which can be determined by turning the equipment off and on, the user is encouraged to try to correct the interference by one or more of the following measures:
 - Reorient or relocate the receiving antenna.
 - Increase the separation between the equipment and receiver.
 - Connect the equipment into an outlet on a circuit different from that to which the receiver is connected.
 - Consult the dealer or an experienced radio/TV technician for help.

FCC 15.21: CAUTION: Changes or modifications not approved by the responsible party could void the user's authority to operate this equipment.

This device complies with Industry Canada license-exempt RSS standard(s). Operation is subject to the following two conditions:
 (1) this device may not cause interference, and
 (2) this device must accept any interference, including interference that may cause undesired operation of the device.

The antenna(s) used for this transmitter must be installed to provide a separation distance of at least 20 cm from all persons and not be co-located with any other transmitters except in accordance with FCC multi-transmitter product procedures.

FCC 15.105 (b): Conformité aux normes FCC Cet équipement a été testé et trouvé conforme aux limites pour un dispositif numérique de classe B, conformément à la Partie 15 des règlements de la FCC. Ces limites sont conçues pour fournir une protection raisonnable contre les interférences nuisibles dans une installation résidentielle.
 Cet équipement génère, utilise et peut émettre des fréquences radio et, s'il n'est pas installé et utilisé conformément ment aux instructions du fabricant, peut causer des interférences nuisibles aux communications radio.
 Rien ne garantit cependant que l'interférence ne se produira pas dans une installation particulière. Si cet équipement provoque des interférences nuisibles à la réception radio ou de télévision, qui peut être déterminé en comparant et en l'éteignant, l'utilisateur est encouragé à essayer de corriger les interférences par une ou plusieurs des mesures suivantes:
 • Réorienter ou déplacer l'antenne de réception.
 • Augmenter la distance entre l'équipement et le récepteur.
 • Branchez l'appareil dans une prise sur un circuit différent de celui auquel le récepteur est connecté.
 • Consultez votre revendeur ou un technicien radio / TV pour assistance. Avertissement
 Les changements ou modifications à cet appareil sans expressément approuvée par la partie responsable de conformité pourraient annuler l'autorité de l'utilisateur de faire fonctionner cet équipement.

FCC 15.21: ATTENTION : Tout changement ou toute modification n'ayant pas reçu l'approbation du responsable peut annuler l'autorisation donnée à l'utilisateur de se servir de cet équipement.

Cet appareil est conforme avec Industrie Canada exempt de licence Rss standard(s). Son fonctionnement est soumis aux deux conditions suivantes :
 (1) cet appareil ne peut causer d'interférences, et
 (2) cet appareil doit accepter toute interférence, y compris des interférences qui peuvent provoquer un fonctionnement indésirable du périphérique.