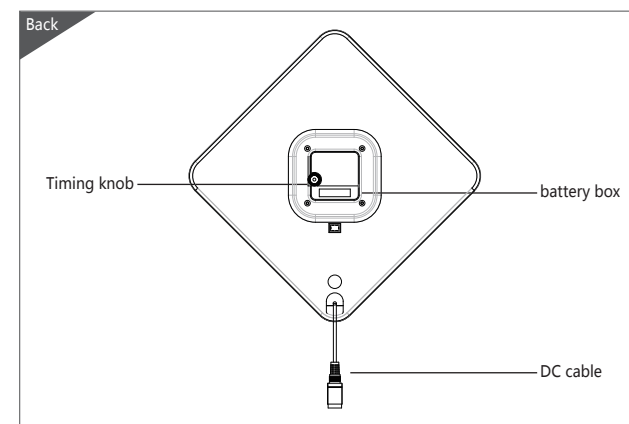
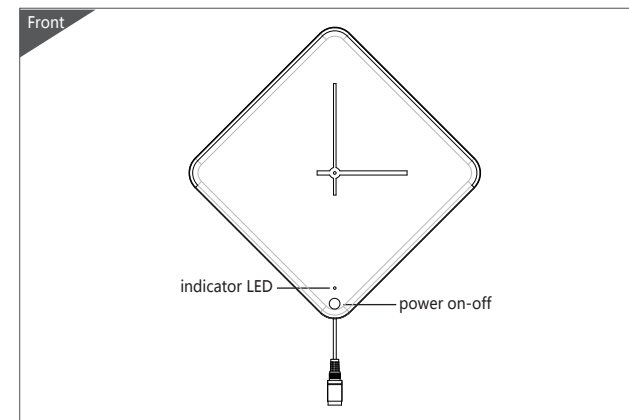


# Manual

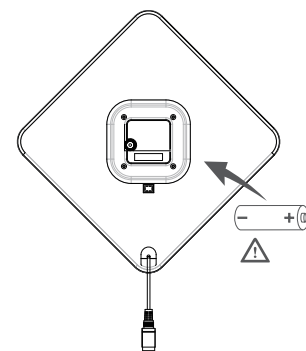
## C2 bluetooth speaker clock



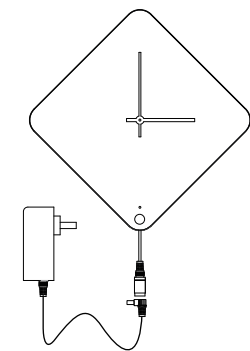
Remark: pay attention to the negative and positive.

### Specification: :

1. Put the size AA battery into the box, and set the right time.



2. Connect the DC cable with DC adaptor, and turn on the power on-off, when hear "beep", the clock is on.



3. Connect the clock with your phone by bluetooth. The products' bluetooth name is C2. when succeeding pairing, you should hear "beep beep", and the blue LED will flash.

### Bluetooth Connection Method for Android system:

1. Go to SETTINGS> BLUETOOTH(make sure bluetooth is turned ON)



2. When your bluetooth enabled device finds the speaker, select "C2" from the list of found devices. When succeeding pairing, you will hear "beep beep". And the blue led light will flash slowly.

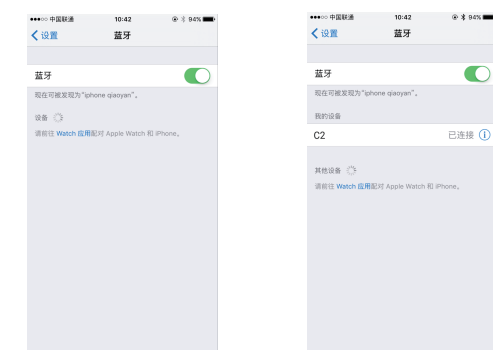


### Bluetooth Connection Method for IOS system

1. Go to SETTINGS> BLUETOOTH(make sure bluetooth is turned ON)



2. When your bluetooth enabled device finds the speaker, select "C2" from the list of found devices. When succeeding pairing, you will hear "beep beep". And the blue led light will flash slowly.



### Specification:

- Size : 260X260X38.9mm
- BT working distance : 10m
- Product weight: (including the battery pack): 270g
- S/N : ≥70db
- Bluetooth IC & version : CW6686E V4.2
- Output power : 7W\*2 RMS(THD=10%)
- Working voltage : 3.3-5V
- Power supply : DC 9V、 1.5A
- Frequency Response : 120Hz~16KHz
- Distortion : ≥ <0.5%
- Driver Size : 2"

### Malfunction analysis:

Consult the after-sale service for help.

### Legal information:

Any copy, changes or modifications of the user manual not expressly approved unless dealer's permission.

### Caution:

1. Do not take this apparatus apart or repair it.
2. Do not use this apparatus near water and humid
3. Clean only with a dry cloth.

### Limited Warranty

You may within 1 year from your original date of purchase return it to the authorized service for repair.

### Cautions and warnings:

1. Do not use the bluetooth speaker clock near water or humid; do not use the device near the bathtub, water tank, swimming pool and so on.
2. Do not install the bluetooth speaker clock in the hot or cold environment.
3. Do not expose the device in the sunshine directly.
4. Do not use the device near fire, such as, stove, candle or fireplace and so on.
5. Do not use abrasive cleaning solvents to clean the bluetooth speaker clock, and charge the apparatus and install the AA size battery in time to make sure the device work.

### FCC Statement:

This equipment has been tested and found to comply with the limits for a Class B digital device, pursuant to part 15 of the FCC Rules. These limits are designed to provide reasonable protection against harmful interference in a residential installation. This equipment generates, uses and can radiate radio frequency energy and, if not installed and used in accordance with the instructions, may cause harmful interference to radio communications. However, there is no guarantee that interference will not occur in a particular installation. If this equipment does cause harmful interference to radio or television reception, which can be determined by turning the equipment off and on, the user is encouraged to try to correct the interference by one or more of the following measures:

- Reorient or relocate the receiving antenna.
- Increase the separation between the equipment and receiver.
- Connect the equipment into an outlet on a circuit different from that to which the receiver is connected.
- Consult the dealer or an experienced radio/TV technician for help.

Caution: Any changes or modifications to this device not explicitly approved by manufacturer could void your authority to operate this equipment.

This device complies with part 15 of the FCC Rules. Operation is subject to the following two conditions: (1) This device may not cause harmful interference, and (2) this device must accept any interference received, including interference that may cause undesired operation.

### RF Exposure Information

The device has been evaluated to meet general RF exposure requirement.