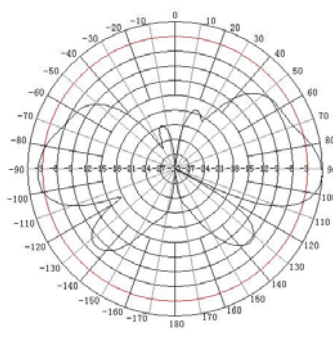




**TerraWave Solutions® 802.11n Dual Band 2.4/5 GHz 6 dBi Outdoor  
MIMO Omnidirectional Antenna with RPSMA Plug Connectors**

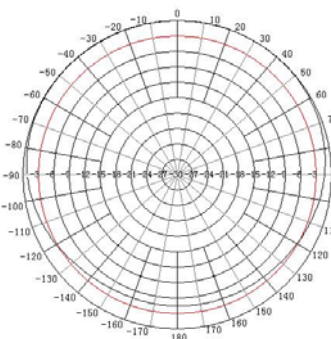
TerraWave’s 6 dBi outdoor multiple-input and multiple-output (MIMO) omnidirectional antenna is designed to operate enterprise class 802.11n MIMO access points. This antenna features three integrated 2.4 GHz omni antennas and three integrated 5 GHz omni antennas in one fiberglass enclosure, making it an ideal and aesthetically pleasing antenna to support demanding outdoor applications in next generation IEEE 802.11n wireless communication systems. The ruggedized enclosure makes this antenna perfectly suited for use in a warehouse or manufacturing environment where it must withstand exposure to moisture and dust. Includes an L-Bracket for mast mounting and a convenient beam clamp. Every TerraWave antenna is covered by the Company’s two-year TerraNet warranty program. Visit [www.terrawave.com](http://www.terrawave.com) for additional information.

Specifications	
Model	M6060060MO136200
Frequency Range	2400~2500 / 5150~5850 MHz
Bandwidth	100 / 700 MHz
Gain	6 dBi
Vertical Beamwidth	40°
Horizontal Beamwidth	360°
VSWR	≤ 1.5 / ≤ 2.0
Nominal Impedance	50 Ohms
Polarization	Vertical
Isolation	≥ 25 dB
Electrical Downtilt	≤ 5°
Max Power	20 Watts
Connector	RPSMA Plug with 36" Pigtail
Dimensions	Ø6.0" x 7.1"
Weight	3.74 lbs
Mast Mount Diameter	Ø1.57" ~ Ø1.97"
Operating Temperature Range	-22°F ~ +158°F

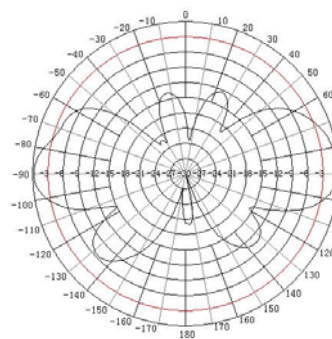


E-Plane Pattern

2.4 GHz

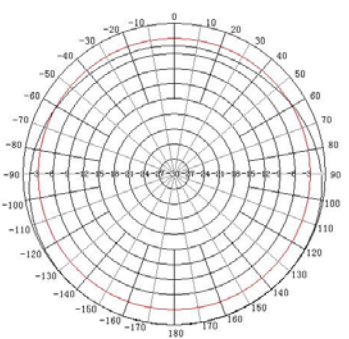


H-Plane Pattern



E-Plane Pattern

5 GHz



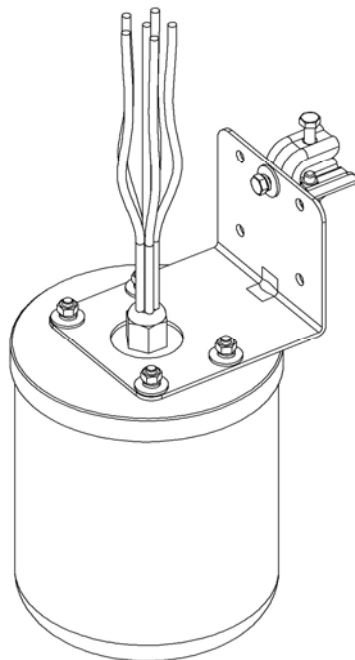
H-Plane Pattern



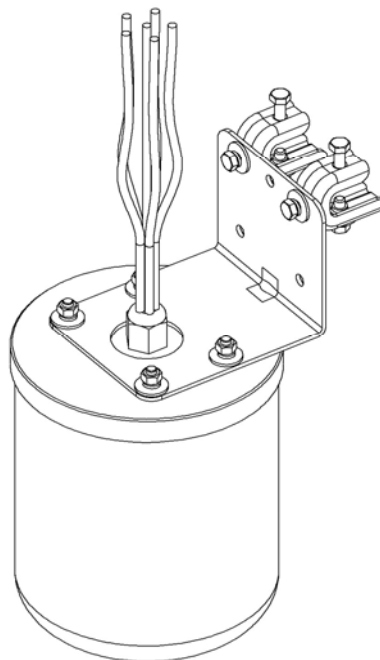
**TerraWave Solutions® 802.11n 2.4/5 GHz 6 dBi Outdoor  
MIMO Omnidirectional Antenna with RPSMA Plug Connectors**

**Mounting Information for M6060060MO136200**

**Single Beam Clamp**



**Double Beam Clamp**



**Antenna Mounted to Pole**

