

PROFESSIONAL POWER TOOLS

**metabo**<sup>®</sup>

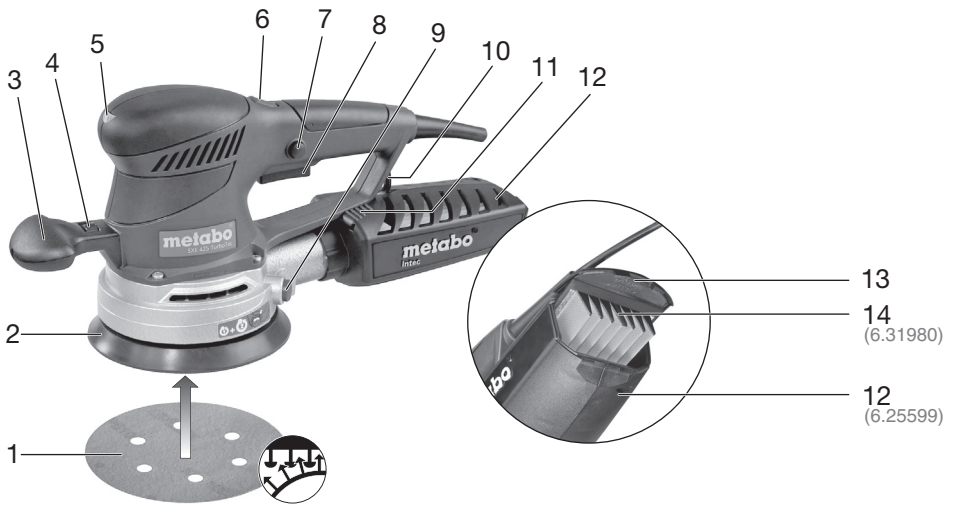
**SXE 425 TurboTec**  
**SXE 450 TurboTec**



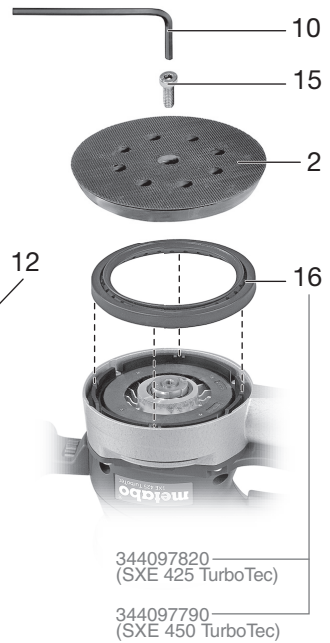
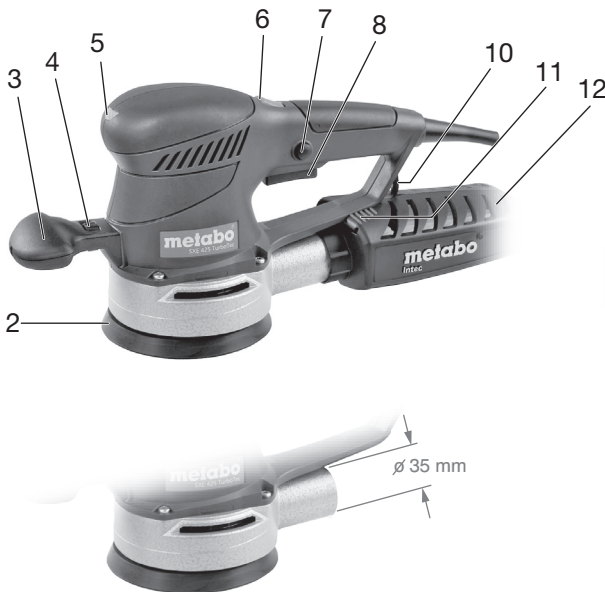
**en** Operating Instructions 4  
**fr** Mode d'emploi 8

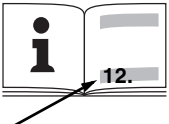
**es** Instrucciones de manejo 12

# SXE 450 TurboTec SXE Partner Edition



# SXE 425 TurboTec



		<b>SXE 450 TurboTec</b>	<b>SXE 425 TurboTec</b>
<b>A</b>	mm (in)	150 (5 <sup>29</sup> / <sub>32</sub> )	125 (4 <sup>15</sup> / <sub>16</sub> )
<b>P<sub>1</sub></b>	W	350	320
<b>P<sub>2</sub></b>	W	180	160
<b>n<sub>0</sub></b>	min <sup>-1</sup> (rpm)	4200-9200	4200-9200
<b>n<sub>0, TB</sub></b>	min <sup>-1</sup> (rpm)	11000	11000
<b>n<sub>1, TB</sub></b>	min <sup>-1</sup> (rpm)	8500	9000
<b>s<sub>0</sub></b>	min <sup>-1</sup> (opm)	8400-18400	8400-18400
<b>s<sub>0, TB</sub></b>	min <sup>-1</sup> (opm)	22000	22000
<b>s<sub>1, TB</sub></b>	min <sup>-1</sup> (opm)	17000	18000
<b>S</b>	mm (in)	2,8 / 6,2 (1 <sup>1</sup> / <sub>8</sub> / 1 <sup>1</sup> / <sub>4</sub> )	5 (3 <sup>1</sup> / <sub>16</sub> )
<b>m</b>	kg (lbs)	2,2 (4.9)	2,0 (4.4)

Metabowerke GmbH  
Postfach 1229  
Metabo-Allee 1  
D-72622 Nuertingen  
Germany

# Operating Instructions

## 1. Specified Use

The disc sander is suitable for dry sanding of flat and curved surfaces, wood, plastics, non-ferrous metals, sheet steel and similar materials, spackled and painted surfaces, and is also suitable for polishing.

The user bears sole responsibility for damage caused by improper use.

Generally accepted accident prevention regulations and the enclosed safety information must be observed.

## 2. General Safety Instructions



**WARNING** – Reading the operating instructions will reduce the risk of injury.



For your own protection and for the protection of your power tool pay attention to all parts of the text that are marked with this symbol!

### General Power Tool Safety Warnings

**! WARNING** Read all safety warnings and all instructions. Failure to follow the warnings and instructions may result in electric shock, fire and/or serious injury. Save all warnings and instructions for future reference! The term "power tool" in the warnings refers to your mains-operated (corded) power tool or battery-operated (cordless) power tool.

#### 1) Work area safety

- a) **Keep work area clean and well lit.** Cluttered or dark areas invite accidents.
- b) **Do not operate power tools in explosive atmospheres, such as in the presence of flammable liquids, gases or dust.** Power tools create sparks which may ignite the dust or fumes.
- c) **Keep children and bystanders away while operating a power tool.** Distractions can cause you to lose control.

#### 2) Electrical safety

- a) **Power tool plugs must match the outlet. Never modify the plug in any way. Do not use any adapter plugs with earthed (grounded) power tools.** Unmodified plugs and matching outlets will reduce risk of electric shock.
- b) **Avoid body contact with earthed or grounded surfaces, such as pipes, radiators, ranges and refrigerators.** There is an increased risk of electric shock if your body is earthed or grounded.
- c) **Do not expose power tools to rain or wet conditions.** Water entering a power tool will increase the risk of electric shock.
- d) **Do not abuse the cord. Never use the cord for carrying, pulling or unplugging the power tool. Keep cord away from heat, oil, sharp edges or**

**moving parts.** Damaged or entangled cords increase the risk of electric shock.

- e) **When operating a power tool outdoors, use an extension cord suitable for outdoor use.** Use of a cord suitable for outdoor use reduces the risk of electric shock.
- f) **If operating a power tool in a damp location is unavoidable, use a residual current device (RCD) protected supply.** Use of an RCD reduces the risk of electric shock.

#### 3) Personal safety

- a) **Stay alert, watch what you are doing and use common sense when operating a power tool. Do not use a power tool while you are tired or under the influence of drugs, alcohol or medication.** A moment of inattention while operating power tools may result in serious personal injury.
- b) **Use personal protective equipment. Always wear eye protection.** Protective equipment such as dust mask, non-skid safety shoes, hard hat, or hearing protection used for appropriate conditions will reduce personal injuries.
- c) **Prevent unintentional starting. Ensure the switch is in the off-position before connecting to power source and/or battery pack, picking up or carrying the tool.** Carrying power tools with your finger on the switch or energising power tools that have the switch on invites accidents.
- d) **Remove any adjusting key or wrench before turning the power tool on.** A wrench or a key left attached to a rotating part of the power tool may result in personal injury.
- e) **Do not overreach. Keep proper footing and balance at all times.** This enables better control of the power tool in unexpected situations.
- f) **Dress properly. Do not wear loose clothing or jewellery. Keep your hair, clothing and gloves away from moving parts.** Loose clothes, jewellery or long hair can be caught in moving parts.
- g) **If devices are provided for the connection of dust extraction and collection facilities, ensure these are connected and properly used.** Use of dust collection can reduce dust-related hazards.

#### 4) Power tool use and care

- a) **Do not force the power tool. Use the correct power tool for your application.** The correct power tool will do the job better and safer at the rate for which it was designed.
- b) **Do not use the power tool if the switch does not turn it on and off.** Any power tool that cannot be controlled with the switch is dangerous and must be repaired.
- c) **Disconnect the plug from the power source and/or the battery pack from the power tool before making any adjustments, changing accessories, or storing power tools.** Such preventive safety measures reduce the risk of starting the power tool accidentally.

- d) **Store idle power tools out of the reach of children and do not allow persons unfamiliar with the power tool or these instructions to operate the power tool.** *Power tools are dangerous in the hands of untrained users.*
- e) **Maintain power tools. Check for misalignment or binding of moving parts, breakage of parts and any other condition that may affect the power tool's operation. If damaged, have the power tool repaired before use.** *Many accidents are caused by poorly maintained power tools.*
- f) **Keep cutting tools sharp and clean.** *Properly maintained cutting tools with sharp cutting edges are less likely to bind and are easier to control.*
- g) **Use the power tool, accessories and tool bits etc. in accordance with these instructions, taking into account the working conditions and the work to be performed.** *Use of the power tool for operations different from those intended could result in a hazardous situation.*

### 5) Service

- a) **Have your power tool serviced by a qualified repair person using only identical replacement parts.** *This will ensure that the safety of the power tool is maintained.*

## 3. Special Safety Instructions

Dust from material such as paint containing lead, some wood species, minerals and metal may be harmful. Contact with or inhalation of the dust may cause allergic reactions and/or respiratory diseases to the operator or bystanders.

Certain kinds of dust are classified as carcinogenic such as oak and beech dust especially in conjunction with additives for wood conditioning (chromate, wood preservative). Material containing asbestos must only be treated by specialists.

- Use a dust extractor or the dust collection box where possible.
- To achieve a high level of dust collection, use a suitable Metabo vacuum cleaner together with this tool.
- The work place must be well ventilated.
- The use of a dust mask of filter class P2 is recommended.

Follow national requirements for the materials you want to work with.


Pull the plug out of the plug socket before any adjustments or servicing are performed.

Wear ear protectors when working for long periods of time. High noise levels over a prolonged period of time may affect your hearing.

Materials that generate dusts or vapours that may be harmful to health (e.g. asbestos) must not be processed.

Secure the workpiece against slipping, e.g. with the help of clamping devices.

### SYMBOLS ON THE TOOL:

-  ..... Class II Construction  
 V ..... volts  
 A ..... amperes  
 Hz ..... hertz  
 ~ ..... alternating current  
 n<sub>0</sub> ..... no load speed  
 .. /min ... revolutions per minute  
 rpm ..... revolutions per minute  
 opm ..... oscillations per minute


## 4. Overview

See page 2.

- 1 Sanding disc
- 2 Support plate
- 3 Additional handle (removable)
- 4 Knurled screw
- 5 Setting wheel for selecting oscillating frequency
- 6 TurboBoost switch
- 7 Locking button for continuous activation
- 8 Trigger switch
- 9 Locking button for "Duo" oscillating circuit setting \*
- 10 Hexagon spanner
- 11 Button for removing the dust collection box
- 12 Dust collection box
- 13 Cleaning flap
- 14 Fluted filter
- 15 Locking screw for support plate
- 16 Braking ring of support plate brake

\* depends on model

## 5. Commissioning

 Before plugging in, check to see that the rated mains voltage and mains frequency, as stated on the rating label, match your power supply.

### 5.1 Additional handle

The removable additional handle (3) can be screwed onto the machine with the integrated knurled screw (4).

If required, insert a Phillips screwdriver in the hole at the end of the additional handle to release or tighten the knurled screw (4).

### 5.2 Installation of sanding disc

Simple attachment and removal thanks to the velcro-type fastening.

Simply press on the sanding disc such that the holes in the sanding disc (1) are aligned with the support plate (2).

## 6. Use

### 6.1 Duo oscillating circuit setting (only with SXE 450 TurboTec)



You can choose between two oscillating frequency settings:

- Oscillating circuit high setting (6.2 mm): coarse sanding with high material removal rate
- Oscillating circuit low setting (2.8 mm): fine sanding, polishing

#### Changing oscillating circuit:

- Disconnect the mains plug!
- Press in the locking button (9) and hold in place.
- Rotate support plate (2) in a counter-clockwise direction until you can hear it engage.
- Continue holding in the button.
- Continue turning the support plate half a revolution to the next snap-in point.
- Release the locking button.

### 6.2 On/Off switch, continuous activation

To start the machine, press the trigger switch (8).

For continuous operation the trigger switch can be locked using the lock button (7). To stop the machine, press the trigger switch (8) again.

### 6.3 Setting oscillating frequency

When the TurboBoost switch (6) is switched off, the oscillating speed can be set at the setting wheel (5). This is also possible during operation.

Recommended oscillating frequency settings:

Plastic materials . . . . . 1-2  
 Metal, Plexiglas®, old coats of paint. . . . . 3-4  
 Coarse and fine sanding, polishing, wood 5

The best way to determine the ideal setting is through a practical trial.

### 6.4 TurboBoost switch

Actuate the TurboBoost switch (6) during operation to switch on additional power reserves for maximum material removal rate.

### 6.5 Dust extraction

To optimise the dust extraction performance, fit the sanding disc such that the holes on the sanding disc (1) are aligned to the support plate (2).

#### Own extraction system:

Fit the dust collection box (12) onto the exhaust nozzle until it engages. To remove, press the button (11) and pull off the dust collection box (12) to the rear.

To optimise the extraction performance, empty the dust collection box (12) in good time and clean the filter (14).

#### External extraction system:

Connect a suitable extraction device.

## 7. Cleaning, Maintenance

### Empty dust collection box (12).

- Open cleaning flap (13).
- Empty dust collection box (12).
- Remove fluted filter (14) and knock off dust stuck to filter or remove with brush.
- When inserting, ensure that the fluted filter (14) is inserted in the lateral guides.

**The clean the machine regularly, frequently and thoroughly.** Vacuum clean the ventilation slots on the motor or blow compressed air through the ventilation slots. Hold the machine firmly at the same time.

### Replacing a worn support plate

**Note:** If abrasive material (e.g. filled or painted surfaces, etc.) is being sanded, the support plate inevitably wears faster.

- Use the hexagon spanner (10) to unscrew the fixing screw (15) on the support plate.
- Remove support plate (2).
- For replacement support plates, refer to the Accessories chapter.
- Mount support plate (2) and rotate until it engages on carrier disc.
- Insert locking screw (15) again and tighten.

### Replacing support plate brake / braking ring

If the idling speed of the support plate increases in course of time, the braking ring (16) is worn and must be replaced.

**Note:** If abrasive material (e.g. filled or painted surfaces, etc.) is being sanded, the braking ring inevitably wears faster.

- Use the hexagon spanner (10) to unscrew the fixing screw (15) on the support plate.
- Remove support plate (2).
- Replace the old braking ring (16) with the new braking ring (see Chapter on Accessories), ensuring that the new braking ring is in the same position as the old braking ring. Ensure that the position of the marking on the braking ring is correct.
- Mount support plate (2) and rotate until it engages on carrier disc.
- Insert locking screw (15) again and tighten.

## 8. Tips and Tricks

Do not press the device too firmly against the surface being sanded. This does not improve, but rather impairs, the sanding performance.

To optimise the extraction performance, empty the dust collection box (12) in good time and clean the fluted filter (14).english

Use a suitable sanding disc to achieve the best possible work results: Removal of old paint layers = P 40

Pre-sanding of wood = P 60, P 80

Finishing of wood = P 100, P 120

Sanding of veneers, sealing primer, filler, paint = P 180, P 240, P 320, P 400

## 9. Accessories

Use only genuine Metabo accessories.

For a complete range of accessories, see [www.metabo.com](http://www.metabo.com) or the main catalogue.

## 10. Repairs

Repairs to electrical tools must be carried out by qualified electricians ONLY!

If the mains connection cable of this machine is damaged, it must be replaced by the manufacturer or an authorized service centre to avoid hazard.

Contact your local Metabo representative if you have Metabo power tools requiring repairs. For addresses see [www.metabo.com](http://www.metabo.com).

You can download a list of spare parts from [www.metabo.com](http://www.metabo.com).

## 11. Environmental Protection

Observe national regulations on environmentally compatible disposal and on the recycling of disused machines, packaging and accessories.

## 12. Technical Specifications

Explanatory notes on the specifications on page 3.

Changes due to technological progress reserved.

D	=	Diameter of support plate
$P_1$	=	Nominal power input
$P_2$	=	Power output
$n_0$	=	Idle speed (setting wheel)
$n_{0, TB}$	=	Idle speed (TurboBoost switch)
$n_{1, TB}$	=	Speed at rated load (TurboBoost switch)
$s_0$	=	Oscillating frequency at idle speed (setting wheel)
$s_{0, TB}$	=	Oscillating frequency at idle speed (TurboBoost switch)
$s_{1, TB}$	=	Oscillating frequency at rated load (TurboBoost switch)
S	=	Oscillating circuit diameter
m	=	Weight without mains cable



### Wear ear protectors!

The technical specifications quoted are subject to tolerances (in compliance with the relevant valid standards).

# Mode d'emploi

## 1. Utilisation conforme à la destination

Cette ponceuse excentrique sert à poncer à sec des surfaces planes et bombées, du bois, des plastiques, des métaux non-ferreux, de la tôle et des surfaces mastiquées et peintes ainsi qu'à lustrer.

L'utilisateur sera entièrement responsable de tous dommages résultant d'une utilisation non conforme à la destination de la machine.

Il est impératif de respecter les consignes générales de protection contre les accidents ainsi que les consignes de sécurité ci-jointes.

## 2. Consignes générales de sécurité



**AVERTISSEMENT** – Lire la notice d'utilisation afin d'éviter tout risque de blessure.



Dans l'intérêt de votre propre sécurité et afin de protéger votre outil électrique, respectez les passages de texte marqués de ce symbole !

### Avertissements de sécurité généraux pour l'outil



**AVERTISSEMENT** Lire tous les avertissements de sécurité et toutes les instructions.

*Ne pas suivre les avertissements et instructions peut donner lieu à un choc électrique, un incendie et/ou une blessure sérieuse. Conserver tous les avertissements et toutes les instructions pour pouvoir s'y reporter ultérieurement! Le terme "outil" dans les avertissements fait référence à votre outil électrique alimenté par le secteur (avec cordon d'alimentation) ou votre outil fonctionnant sur batterie (sans cordon d'alimentation).*

### 1) Sécurité de la zone de travail

- a) **Conserver la zone de travail propre et bien éclairée.** Les zones en désordre ou sombres sont propices aux accidents.
- b) **Ne pas faire fonctionner les outils électriques en atmosphère explosive, par exemple en présence de liquides inflammables, de gaz ou de poussières.** Les outils électriques produisent des étincelles qui peuvent enflammer les poussières ou les fumées.
- c) **Maintenir les enfants et les personnes présentes à l'écart pendant l'utilisation de l'outil.** Les distractions peuvent vous faire perdre le contrôle de l'outil.

### 2) Sécurité électrique

- a) **Il faut que les fiches de l'outil électrique soient adaptées au socle. Ne jamais modifier la fiche de quelque façon que ce soit. Ne pas utiliser d'adaptateurs avec des outils à branchement de**

**terre.** Des fiches non modifiées et des socles adaptés réduiront le risque de choc électrique.

b) **Éviter tout contact du corps avec des surfaces reliées à la terre telles que les tuyaux, les radiateurs, les cuisinières et les réfrigérateurs.** Il existe un risque accru de choc électrique si votre corps est relié à la terre.

c) **Ne pas exposer les outils à la pluie ou à des conditions humides.** La pénétration d'eau à l'intérieur d'un outil augmentera le risque de choc électrique.

d) **Ne pas maltraiter le cordon. Ne jamais utiliser le cordon pour porter, tirer ou débrancher l'outil. Maintenir le cordon à l'écart de la chaleur, du lubrifiant, des arêtes ou des parties en mouvement.** Des cordons endommagés ou emmêlés augmentent le risque de choc électrique.

e) **Lorsqu'on utilise un outil à l'extérieur, utiliser un prolongateur adapté à l'utilisation extérieure.** L'utilisation d'un cordon adapté à l'utilisation extérieure réduit le risque de choc électrique.

f) **Si l'usage d'un outil dans un emplacement humide est inévitable, utiliser une alimentation protégée par un dispositif à courant différentiel résiduel (RCD).** L'usage d'un RCD réduit le risque de choc électrique.

### 3) Sécurité des personnes

- a) **Rester vigilant, regarder ce que vous êtes en train de faire et faire preuve de bon sens dans votre utilisation de l'outil. Ne pas utiliser un outil lorsque vous êtes fatigué ou sous l'emprise de drogues, d'alcool ou de médicaments.** Un moment d'inattention en cours d'utilisation d'un outil peut entraîner des blessures graves des personnes.
- b) **Utiliser un équipement de sécurité. Toujours porter une protection pour les yeux.** Les équipements de sécurité tels que les masques contre les poussières, les chaussures de sécurité antidérapantes, les casques ou les protections acoustiques utilisés pour les conditions appropriées réduiront les blessures de personnes.
- c) **Éviter tout démarrage intempestif. S'assurer que l'interrupteur est en position arrêt avant de brancher l'outil au secteur et/ou au bloc de batteries, de le ramasser ou de le porter.** Porter les outils en ayant le doigt sur l'interrupteur ou brancher des outils dont l'interrupteur est en position marche est source d'accidents.
- d) **Retirer toute clé de réglage avant de mettre l'outil en marche.** Une clé laissée fixée sur une partie tournante de l'outil peut donner lieu à des blessures de personnes.
- e) **Ne pas se précipiter. Garder une position et un équilibre adaptés à tout moment.** Cela permet un meilleur contrôle de l'outil dans des situations inattendues.
- f) **S'habiller de manière adaptée. Ne pas porter de vêtements amples ou de bijoux. Garder les cheveux, les vêtements et les gants à distance**



**des parties en mouvement.** *Des vêtements amples, des bijoux ou les cheveux longs peuvent être pris dans des parties en mouvement.*

**g) Si des dispositifs sont fournis pour le raccordement d'équipements pour l'extraction et la récupération des poussières, s'assurer qu'ils sont connectés et correctement utilisés.** *Utiliser des collecteurs de poussière peut réduire les risques dus aux poussières.*

#### 4) Utilisation et entretien de l'outil

**a) Ne pas forcer l'outil. Utiliser l'outil adapté à votre application.** *L'outil adapté réalisera mieux le travail et de manière plus sûre au régime pour lequel il a été construit.*

**b) Ne pas utiliser l'outil si l'interrupteur ne permet pas de passer de l'état de marche à arrêté et vice versa.** *Tout outil qui ne peut pas être commandé par l'interrupteur est dangereux et il faut le réparer.*

**c) Débrancher la fiche de la source d'alimentation en courant et/ou le bloc de batteries de l'outil avant tout réglage, changement d'accessoires ou avant de ranger l'outil.** *De telles mesures de sécurité préventives réduisent le risque de démarrage accidentel de l'outil.*

**d) Conserver les outils à l'arrêt hors de la portée des enfants et ne pas permettre à des personnes ne connaissant pas l'outil ou les présentes instructions de le faire fonctionner.** *Les outils sont dangereux entre les mains d'utilisateurs novices.*

**e) Observer la maintenance de l'outil. Vérifier qu'il n'y a pas de mauvais alignement ou de blocage des parties mobiles, des pièces cassées ou toute autre condition pouvant affecter le fonctionnement de l'outil. En cas de dommages, faire réparer l'outil avant de l'utiliser.** *De nombreux accidents sont dus à des outils mal entretenus.*

**f) Garder affûtés et propres les outils permettant de couper.** *Des outils destinés à couper correctement entretenus avec des pièces coupantes tranchantes sont moins susceptibles de bloquer et sont plus faciles à contrôler.*

**g) Utiliser l'outil, les accessoires et les lames etc., conformément à ces instructions, en tenant compte des conditions de travail et du travail à réaliser.** *L'utilisation de l'outil pour des opérations différentes de celles prévues pourrait donner lieu à des situations dangereuses.*

#### 5) Maintenance et entretien

**a) Faire entretenir l'outil par un réparateur qualifié utilisant uniquement des pièces de rechange identiques.** *Cela assurera que la sécurité de l'outil est maintenue.*

### 3. Consignes de sécurité particulières

Les poussières de matériaux tels que les peintures au plomb, certains types de bois, de minéraux et de métaux peuvent s'avérer nocives pour la santé. Toucher ou inhaler ces poussières peut entraîner des réactions allergiques et/ou des maladies respiratoires chez l'utilisateur ou les personnes se trouvant à proximité.

Certaines poussières provenant par exemple du chêne ou du hêtre sont considérées comme cancérigènes, particulièrement lorsqu'elle sont associées à des adjuvants de traitement du bois (chromate, produit de protection du bois). Seuls des spécialistes sont habilités à traiter les matériaux contenant de l'amiante.

- Utilisez autant que possible un système d'aspiration des poussières ou la cassette de réception des poussières.
  - Pour obtenir un degré élevé d'aspiration, utiliser un aspirateur Metabo approprié en association avec cet outil électrique.
  - Veiller à une bonne aération du site de travail.
  - Il est recommandé de porter un masque antipoussières avec filtre à particules de classe 2.
- Respecter les directives nationales en vigueur relatives aux matériaux à traiter.


Débrancher le cordon d'alimentation de la prise de courant avant toute opération de réglage ou de maintenance.

Pour des travaux de longue durée, une protection acoustique est nécessaire. Des nuisances acoustiques intenses et prolongées peuvent provoquer une perte d'audition.

Le sciage de matériaux produisant des poussières ou vapeurs nocives (p. ex. amiante) au moment de la découpe est proscrit.

Bloquer la pièce pour éviter qu'elle ne glisse, par ex. à l'aide de dispositifs de serrage.

SYMBOLES SUR L'OUTIL:

	..... Construction de classe II
V .....	volts
A .....	ampères
Hz .....	hertz
~ .....	courant alternatif
$n_0$ .....	vitesse à vide
../min .....	révolutions par minute
rpm .....	révolutions par minute
opm .....	oscillations par minute

### 4. Vue d'ensemble

Voir page 2.


- 1 Feuille abrasive
- 2 Plateau à poncer
- 3 Poignée supplémentaire (amovible)
- 4 Vis moletée
- 5 Molette pour la présélection de la vitesse d'oscillation
- 6 Commutateur TurboBoost
- 7 Bouton de marche continue

## fr FRANÇAIS

- 8 Gâchette
- 9 Bouton d'arrêt pour le réglage du cercle d'oscillation "Duo" \*
- 10 Clé à six pans
- 11 Touche pour enlever la cassette de réception des poussières
- 12 Cassette de réception des poussières
- 13 Clapet de nettoyage
- 14 Filtre à plis
- 15 Vis de fixation du plateau à poncer
- 16 Anneau de freinage pour le frein du plateau à poncer

\* en fonction du modèle

### 5. Mise en service

 Avant la mise en service, comparer si tension secteur et la fréquence secteur indiquées sur la plaque signalétique correspondent aux caractéristiques de votre réseau de courant.

#### 5.1 Poignée supplémentaire

La poignée supplémentaire amovible (3) peut être fixée sur la ponceuse au moyen de la vis moletée (4) intégrée.

Le cas échéant, introduire un tournevis cruciforme dans le logement à l'extrémité de la poignée supplémentaire afin de desserrer ou de serrer la vis moletée (4).

#### 5.2 Mise en place de la feuille abrasive

Mise en place et retrait simples grâce à la bande velcro.

Appuyer simplement la feuille abrasive de sorte que les trous de la feuille abrasive (1) et du plateau à poncer (2) coïncident.

### 6. Utilisation

#### 6.1 Réglage du cercle d'oscillation duo (uniquement pour SXE 450 TurboTec)



Vous avez le choix entre deux réglages du cercle d'oscillation :

- Grand cercle d'oscillation (6,2 mm) : ponçage grossier avec puissance d'enlèvement importante
- Petit cercle d'oscillation (2,8 mm) : ponçage fin, polissage

#### Modification du cercle d'oscillation :

- Débrancher la fiche secteur !
- Appuyer sur le bouton d'arrêt (9) et le maintenir enfoncé.
- Faire tourner le plateau à poncer (2) dans le sens antihoraire jusqu'à entendre son enclenchement.
- Continuer de maintenir le bouton enfoncé.
- Faire pivoter le plateau à poncer d'un demi-tour supplémentaire jusqu'au point d'enclenchement suivant.

- Relâcher le bouton d'arrêt.

#### 6.2 Marche/arrêt, fonctionnement en continu

Pour mettre l'outil en route, appuyer sur la gâchette (8).

Pour un fonctionnement en continu, il est possible de bloquer la gâchette à l'aide du bouton de blocage (7). Pour arrêter la machine, appuyer à nouveau sur la gâchette (8).

#### 6.3 Régler la vitesse d'oscillation

Quand le commutateur TurboBoost (6) est désactivé, régler la vitesse d'oscillation à l'aide de la molette (5). Ceci est également possible pendant la marche.

Réglages de vitesse d'oscillation recommandés :

- Matières plastiques . . . . . 1-2
- Métal, plexiglas®, vieilles couches de peinture . . . . . 3-4
- Ponçage grossier, ponçage fin, polissage, bois . . . . . 5

Pour savoir quel réglage sera optimal, le mieux est de faire un essai pratique.

#### 6.4 Commutateur TurboBoost

Actionner le commutateur TurboBoost (6) pour activer des réserves supplémentaires de puissance pour un pouvoir abrasif maximal pendant le travail.

#### 6.5 Système d'aspiration des poussières

Pour obtenir la meilleure puissance d'aspiration, placer simplement la feuille abrasive de sorte que les trous de la feuille abrasive (1) et du plateau à poncer (2) coïncident.

#### Auto-aspiration :

Positionner la cassette de réception des poussières (12) jusqu'à enclenchement sur le raccord d'aspiration. Pour la retirer, appuyer sur la touche (11) et retirer la cassette de réception des poussières (12) vers l'arrière.

Pour obtenir la meilleure puissance d'aspiration, vider à temps la cassette de réception des poussières (12) et nettoyer le filtre (14).

#### Aspiration externe :

Brancher un aspirateur adéquat.

### 7. Nettoyage, maintenance

#### Vider la cassette de réception des poussières (12)

- Ouvrir le clapet de nettoyage (13).
- Vider la cassette de réception des poussières (12).
- Retirer le filtre à plis (14) et secouer la poussière de ponçage qui adhère ou l'enlever avec un pinceau.
- Faire attention lors de la mise en place : insérer le filtre à plis (14) dans les guidages latéraux.

**Nettoyer la machine régulièrement, fréquemment et soigneusement.** Aspirer en même temps les fentes d'aération du moteur à l'aide d'un aspirateur ou souffler de l'air comprimé à

travers les fentes d'aération. Veiller à bien maintenir la machine pendant ce temps.

### Remplacer le plateau à poncer usagé

**Remarque :** si on ponce un matériau abrasif (par ex. surfaces mastiquées ou peintes, etc), le plateau à poncer s'use forcément plus vite.

- Dévisser la vis de fixation (15) du plateau à poncer avec la clé à six pans (10).
- Retirer le plateau à poncer (2).
- Plateau à poncer (de rechange) voir chapitre Accessoires
- Positionner le plateau à poncer (2) et le tourner jusqu'à ce qu'il s'enclenche sur la plaque d'entraînement.
- Revisser la vis de fixation (15) et la serrer.

### Remplacer le frein du plateau à poncer / l'anneau de freinage

Si au bout d'un certain temps, la vitesse à vide du plateau à poncer augmente, l'anneau de freinage (16) est usé et doit être remplacé.

**Remarque :** si on ponce un matériau abrasif (par ex. surfaces mastiquées ou peintes, etc), l'anneau de freinage s'use forcément plus vite.

- Dévisser la vis de fixation (15) du plateau à poncer avec la clé à six pans (10).
- Retirer le plateau à poncer (2).
- Remplacer l'ancien anneau de freinage (16) par le nouvel anneau de freinage (voir chapitre Accessoires) et placer le nouvel anneau de freinage dans la même position que l'ancien. Tenir compte de la position du marquage sur l'anneau de freinage.
- Positionner le plateau à poncer (2) et le tourner jusqu'à ce qu'il s'enclenche sur la plaque d'entraînement.
- Revisser la vis de fixation (15) et la serrer.

## 8. Conseils et astuces

Ne pas appuyer trop fort l'appareil contre la surface à poncer. La puissance de ponçage n'en sera pas augmentée, au contraire elle sera plutôt inférieure.

Pour obtenir la meilleure puissance d'aspiration, vider à temps la cassette de réception des poussières (12) et nettoyer le filtre à plis. (14)

Pour obtenir un résultat optimal de ponçage, utiliser la feuille abrasive appropriée :

Pour enlever d'anciennes couches de vernis = P 40

Pour poncer le bois = P 60, P 80

Pour le ponçage fin du bois = P 100, P 120

Pour poncer le bois de placage, le produit d'encollage, l'enduit, le vernis = P 180, P 240, P 320, P 400

## 9. Accessoires

Utilisez uniquement du matériel Metabo.

Voir programme complet des accessoires sur [www.metabo.com](http://www.metabo.com) ou dans le catalogue principal.

## 10. Réparations

Les travaux de réparation sur les outils électriques ne peuvent être effectués que par un spécialiste !

En cas de détérioration du cordon d'alimentation de cette machine, vous devez le faire remplacer par le fabricant ou le service après-vente, afin d'éviter toute situation dangereuse.

Pour toute réparation sur un outil Metabo, contacter le représentant Metabo. Voir les adresses sur [www.metabo.com](http://www.metabo.com).

Les listes des pièces détachées peuvent être téléchargées sur [www.metabo.com](http://www.metabo.com).

## 11. Protection de l'environnement

Suivre les réglementations nationales concernant l'élimination dans le respect de l'environnement et le recyclage des machines, emballages et accessoires.

## 12. Caractéristiques techniques

Commentaires sur les indications de la page 3.

Sous réserve de modifications allant dans le sens du progrès technique.

D	=	Diamètre du plateau à poncer
P <sub>1</sub>	=	Puissance absorbée
P <sub>2</sub>	=	Puissance débitée
n <sub>0</sub>	=	Vitesse à vide (molette)
n <sub>0, TB</sub>	=	Vitesse à vide (commutateur TurboBoost)
n <sub>1, TB</sub>	=	Vitesse en charge nominale (commutateur TurboBoost)
s <sub>0</sub>	=	Vitesse d'oscillation à vide (molette)
s <sub>0, TB</sub>	=	Vitesse d'oscillation à vide (commutateur TurboBoost)
s <sub>1, TB</sub>	=	Vitesse d'oscillation en charge nominale (commutateur TurboBoost)
S	=	Diamètre du cercle d'oscillation
m	=	Poids sans cordon d'alimentation



### Porter un casque antibruit !

Les caractéristiques indiquées sont soumises à tolérance (selon les normes en vigueur correspondantes).

# Instrucciones de manejo

## 1. Aplicación de acuerdo a la finalidad

La lijadora excéntrica es adecuada para el rectificado en seco de superficies planas y curvadas, madera, plásticos, metales no férreos, chapa de acero y superficies similares, emplastecidas y pintadas así como para el pulido.

Los posibles daños derivados de un uso inadecuado son responsabilidad exclusiva del usuario.

Deben observarse las normas para prevención de accidentes aceptadas generalmente y la información sobre seguridad incluida.

## 2. Instrucciones generales de seguridad



**AVISO:** Para reducir el riesgo de lesiones, lea el manual de instrucciones.



Para su propia protección y la de su herramienta eléctrica, observe las partes marcadas con este símbolo.

### Instrucciones generales de seguridad para herramientas eléctricas

**¡ATENCIÓN** Lea íntegramente estas instrucciones de seguridad. La no observación de las instrucciones de seguridad siguientes puede dar lugar a descargas eléctricas, incendios y/o lesiones graves. **Guarde estas instrucciones en un lugar seguro!** El término "herramienta eléctrica" empleado en las siguientes instrucciones se refiere a su aparato eléctrico portátil, ya sea con cable de red, o sin cable, en caso de ser accionado por acumulador.

#### 1) Puesto de trabajo

- Mantenga limpio y bien iluminado su puesto de trabajo.** El desorden y una iluminación deficiente en las áreas de trabajo pueden provocar accidentes.
- No utilice la herramienta eléctrica en un entorno con peligro de explosión, en el que se encuentren combustibles líquidos, gases o material en polvo.** Las herramientas eléctricas producen chispas que pueden llegar a inflamar los materiales en polvo o vapores.
- Mantenga alejados a los niños y otras personas de su puesto de trabajo al emplear la herramienta eléctrica.** Una distracción le puede hacer perder el control sobre el aparato.

#### 2) Seguridad eléctrica

- El enchufe de la herramienta eléctrica debe corresponder a la toma de corriente utilizada. No es admisible modificar el enchufe en forma alguna. No emplee adaptadores con herramientas eléctricas dotadas de una toma de tierra.** Los enchufes sin modificar adecuados a las

respectivas tomas de corriente reducen el riesgo de una descarga eléctrica.

- Evite que su cuerpo toque partes conectadas a tierra como tuberías, radiadores, cocinas y refrigeradores.** El riesgo a quedar expuesto a una sacudida eléctrica es mayor si su cuerpo tiene contacto con tierra.
  - No exponga las herramientas eléctricas a la lluvia y evite que penetren líquidos en su interior.** Existe el peligro de recibir una descarga eléctrica si penetran ciertos líquidos en la herramienta eléctrica.
  - No utilice el cable de red para transportar o colgar la herramienta eléctrica, ni tire de él para sacar el enchufe de la toma de corriente. Mantenga el cable de red alejado del calor, aceite, esquinas cortantes o piezas móviles.** Los cables de red dañados o enredados pueden provocar una descarga eléctrica.
  - Al trabajar con la herramienta eléctrica a la intemperie utilice solamente cables de prolongación homologados para su uso en exteriores.** La utilización de un cable de prolongación adecuado para su uso en exteriores reduce el riesgo de una descarga eléctrica.
  - Si fuera necesario utilizar la herramienta eléctrica en un entorno húmedo, utilice un interruptor de protección diferencial.** La utilización de un cable de prolongación adecuado para su uso en exteriores reduce el riesgo de una descarga eléctrica.
- ### 3) Seguridad de personas
- Esté atento a lo que hace y emplee la herramienta eléctrica con prudencia. No utilice la herramienta eléctrica si estuviese cansado, ni tampoco después de haber consumido alcohol, drogas o medicamentos.** El no estar atento durante el uso de una herramienta eléctrica puede provocarle serias lesiones.
  - Utilice un equipo de protección y en todo caso unas gafas de protección.** El riesgo de lesionarse se reduce considerablemente si, dependiendo del tipo y la aplicación de la herramienta eléctrica empleada, se utiliza un equipo de protección adecuado como una mascarilla antipolvo, zapatos de seguridad con suela antideslizante, casco, o protectores auditivos.
  - Evite una puesta en marcha fortuita del aparato. Asegúrese de que la herramienta eléctrica está apagada antes de conectarla a la toma de corriente y/o la batería, de desconectarla o de transportarla.** Si transporta la herramienta eléctrica sujetándola por el interruptor de conexión/ desconexión, o si introduce el enchufe en la toma de corriente con el aparato conectado, puede dar lugar a un accidente.
  - Retire las herramientas de ajuste o llaves fijas antes de conectar la herramienta eléctrica.** Una herramienta o llave colocada en una pieza rotante puede producir lesiones al ponerse a funcionar.

e) **Evite trabajar con posturas forzadas. Trabaje sobre una base firme y mantenga el equilibrio en todo momento.** *Ello le permitirá controlar mejor la herramienta eléctrica en caso de presentarse una situación inesperada.*

f) **Lleve puesta una vestimenta de trabajo adecuada. No utilice vestimenta amplia ni joyas. Mantenga su pelo, vestimenta y guantes alejados de las piezas móviles.** *La vestimenta suelta, las joyas y el pelo largo se pueden enganchar con las piezas en movimiento.*

g) **Siempre que sea posible utilizar equipos de aspiración o captación de polvo, asegúrese que éstos estén montados y que sean utilizados correctamente.** *La utilización de un equipo de aspiración de polvo puede reducir los riesgos de aspirar polvo nocivo para la salud.*

#### 4) Trato y uso cuidadoso de herramientas eléctricas

a) **No sobrecargue el aparato. Use la herramienta prevista para el trabajo a realizar.** *Con la herramienta adecuada podrá trabajar mejor y más seguro dentro del margen de potencia indicado.*

b) **No utilice herramientas con un interruptor defectuoso.** *Las herramientas que no se puedan conectar o desconectar son peligrosas y deben hacerse reparar.*

c) **Saque el enchufe de la red y/o retire la batería antes de realizar un ajuste en la herramienta, cambiar de accesorio o guardar el aparato.** *Esta medida preventiva reduce el riesgo de conectar accidentalmente el aparato.*

d) **Guarde las herramientas eléctricas fuera del alcance de los niños. No permita que las utilicen personas que no estén familiarizadas con ellas o que no hayan leído estas instrucciones.** *Las herramientas utilizadas por personas inexpertas son peligrosas.*

e) **Cuide sus herramientas eléctricas con esmero. Controle si funcionan correctamente, sin atascarse, las partes móviles de la herramienta y si existen partes rotas o deterioradas que pudieran afectar a su funcionamiento. Si la herramienta eléctrica estuviese defectuosa, hágala reparar antes de volver a utilizarla.** *Muchos de los accidentes se deben a aparatos con un mantenimiento deficiente.*

f) **Mantenga los útiles limpios y afilados.** *Los útiles mantenidos correctamente se dejan guiar y controlar mejor.*

g) **Utilice las herramientas eléctricas, los accesorios, las herramientas de inserción, etc. de acuerdo con estas instrucciones. Considere en ello las condiciones de trabajo y la tarea a realizar.** *El uso de herramientas eléctricas para trabajos diferentes de aquellos para los que han sido concebidas puede resultar peligroso.*

#### 5) Servicio

a) **Únicamente haga reparar su herramienta eléctrica por un profesional, empleando exclusivamente piezas de repuesto originales.**

Solamente así se mantiene la seguridad de la herramienta eléctrica.

### 3. Instrucciones especiales de seguridad

El polvo procedente de algunos materiales, como la pintura con plomo o algunos tipos de madera, minerales y metales, puede ser perjudicial para la salud. Tocar o respirar el polvo puede causar reacciones alérgicas y/o enfermedades respiratorias al usuario o a las personas próximas a él.

Algunas maderas, como la madera de roble o de haya, producen un polvo que podría ser cancerígeno, especialmente en combinación con otros aditivos para el tratamiento de madera (cromato, conservante para madera). Sólo personal especializado debe trabajar el material con contenido de asbesto.

- Utilice en la medida de lo posible un aspirador de polvo o el casete colector de polvo.
- Para alcanzar un elevado grado de aspiración de polvo, emplee un aspirador Metabo junto con esta herramienta eléctrica.
- Ventile su lugar de trabajo.
- Se recomienda utilizar una máscara de protección contra el polvo con clase de filtro P2. Preste atención a la normativa vigente en su país respecto al material que se va a trabajar.


Desenchufe el equipo antes de llevar a cabo cualquier ajuste o mantenimiento.

Si los trabajos duran un período de tiempo prolongado, usar protección para los oídos. La exposición a niveles de ruido elevados durante períodos prolongados puede causar daños en la capacidad auditiva.

No pueden trabajarse materiales que produzcan polvo o vapores perjudiciales para la salud (p. ej. asbesto).

Asegurar la pieza de trabajo para inmovilizarla, p. ej., con ayuda de dispositivos de sujeción.

SÍMBOLOS SOBRE LA HERRAMIENTA:

 ..... Clase II de construcción  
 V ..... voltios  
 A ..... amperios  
 Hz ..... hertzios  
 ~ ..... corriente alterna  
 n<sub>0</sub> ..... velocidad sin carga  
 .. /min .. revoluciones por minuto  
 rpm .... revoluciones por minuto  
 opm .... oscilaciones por minuto

### 4. Descripción general


Véase la página 2.

- 1 Hoja lijadora
- 2 Placa de apoyo
- 3 Empuñadura complementaria (desmontable)
- 4 Tornillo de cabeza moleteada
- 5 Ruedecilla de ajuste para preselección del número de oscilaciones
- 6 Interruptor de turboalimentación

- 7 Botón de fijación para funcionamiento continuado
- 8 Interruptor
- 9 Botón de bloqueo para el ajuste del circuito oscilante "Duo" \*
- 10 Llave hexagonal
- 11 Tecla para la retirada del colector de polvo
- 12 Colector de polvo
- 13 Chapaleta de limpieza
- 14 Filtro plegable
- 15 Tornillo de fijación de la placa de apoyo
- 16 Anillo de freno de la placa de apoyo

\* en función del modelo

## 5. Puesta en marcha

 Antes de enchufar la herramienta, compruebe que la tensión y la frecuencia de red que se indican en la placa de identificación se corresponden con las características de la red eléctrica.

### 5.1 Empuñadura complementaria

La empuñadura complementaria desmontable (3) puede fijarse a la herramienta (4) con el tornillo de cabeza moleteada integrado.

En caso necesario, introducir un destornillador para tornillos de estrella en el orificio del extremo de la empuñadura complementaria para aflojar o apretar el tornillo de cabeza moleteada (4).

### 5.2 Montaje de la hoja lijadora

Montaje y extracción sencillos gracias al cierre de cardillo.

Basta con apretar la hoja lijadora hasta que los orificios de la misma (1) encajen con los de la placa de apoyo (2).

## 6. Manejo

### 6.1 Ajuste del circuito oscilante "Duo" (solamente para SXE 450 TurboTec)



Existen dos ajustes posibles del circuito oscilante:

- Circuito oscilante grande (6,2 mm): lijado basto con gran potencia de arranque de material
- Circuito oscilante pequeño (2,8 mm): rectificado fino y pulido

#### Reajuste del circuito oscilante:

- ¡Desenchufar el equipo!
- Pulsar y mantener pulsado el botón de bloqueo (9).
- Girar la placa de apoyo (2) en sentido contrario a las agujas del reloj hasta que quede encajada de forma audible.
- Mantener pulsado el botón.
- Girar la placa de apoyo media vuelta hasta que encaje en el siguiente punto.
- Soltar el botón de bloqueo.

### 6.2 Conexión/desconexión, funcionamiento continuado

Pulse el interruptor (8) de la herramienta para ponerla en marcha.

Para un funcionamiento continuado puede bloquearse el interruptor con el botón de retención (7). Para parar la herramienta, pulse el interruptor (8) de nuevo.

### 6.3 Ajuste del número de oscilaciones

Si el interruptor de turboalimentación (6) está desconectado, se puede ajustar el número de oscilaciones en la (5) ruedecilla de ajuste.

Dicho ajuste también se puede efectuar durante el funcionamiento.

Ajuste del número de oscilaciones recomendado:  
 Plásticos ..... 1-2  
 Metal, plexiglás®, pinturas desgastadas . 3-4  
 Lijado basto, rectificado fino, pulido, madera 5  
 El ajuste óptimo se puede determinar mediante la práctica.

### 6.4 Interruptor de turboalimentación

Accione el interruptor de turboalimentación (6) para ganar un extra de potencia y maximizar el arranque de material durante el trabajo.

### 6.5 Aspiración de polvo

Para conseguir una potencia de aspiración óptima, debe montarse la hoja lijadora de modo que los orificios de la misma (1) encajen con los de la placa de apoyo (2).

#### Aspiración independiente:

Insertar el colector de polvo (12) hasta que quede encajado en el racor de aspiración. Para retirarlo, pulsar la tecla (11) y retirar hacia atrás el colector de polvo (12).

Para conseguir una potencia de aspiración óptima, se debe vaciar convenientemente el colector de polvo (12) y limpiar el filtro (14).

#### Aspiración externa:

Conectar un aspirador apropiado.

## 7. Limpieza, mantenimiento

### Vaciar el colector de polvo (12)

- Abrir la (13) chapaleta de limpieza.
- Vaciar el colector de polvo (12).
- Retirar el filtro plegable (14) y sacudir el polvo de lijar adherido o retirarlo con una brocha.
- Al insertar el filtro plegable (14) debe tenerse en cuenta que encaje convenientemente en las guías laterales.

### Limpiar a fondo la máquina periódicamente.

Aspirar para ello las ranuras de ventilación del motor con una aspirador o limpiar con aire a presión las ranuras de ventilación. Para ello, fije bien la herramienta.

### Sustituir la placa de apoyo desgastada

**Advertencia:** El afilado de material abrasivo (p. ej., superficies emplastadas o pintadas, etc.), acelera el desgaste de la placa de apoyo.

- Utilizar la llave hexagonal (10) para desenroscar el tornillo de sujeción (15) de la placa de apoyo.
- Retirar la placa de apoyo (2).
- Placa de apoyo (recambio), véase capítulo accesorios
- Colocar y girar la placa de apoyo (2) hasta que encaje en el disco de arrastre.
- Atornillar de nuevo el tornillo de fijación (15) y apretarlo.

### Sustituir el freno de la placa de apoyo / anillo de freno

Si transcurrido cierto tiempo aumenta el número de revoluciones en marcha en vacío de la placa de apoyo, es síntoma de que el anillo de freno (16) está desgastado y debe sustituirse.

**Advertencia:** El afilado de material abrasivo (p. ej., superficies emplastadas o pintadas, etc.), acelera el desgaste del anillo de freno.

- Utilizar la llave hexagonal (10) para desenroscar el tornillo de sujeción (15) de la placa de apoyo.
- Retirar la placa de apoyo (2).
- Sustituir el anillo de freno antiguo (16) por el anillo de freno nuevo (véase el capítulo Accesorios); para ello colocar el nuevo anillo de freno en la misma posición que el anillo de freno antiguo. Asegúrese de la correcta posición de la marca en el anillo de freno.
- Colocar y girar la placa de apoyo (2) hasta que encaje en el disco de arrastre.
- Atornillar de nuevo el tornillo de fijación (15) y apretarlo.

## 8. Consejos y trucos

No apretar la herramienta con fuerza contra la superficie de lijado. Una presión excesiva no mejora la potencia de lijado, sino todo lo contrario.

Para conseguir una potencia de aspiración óptima, se debe vaciar convenientemente el colector de polvo (12) y limpiar el filtro plegable (14).

Para conseguir unos resultados óptimos, debe utilizarse la hoja lijadora adecuada:

Lijado de capas de pintura = P 40

Lijado previo de madera = P 60, P 80

Lijado de acabado de madera = P 100, P 120

Lijado de contrachapados, imprimadores acrílicos, masilla, pintura = P 180, P 240, P 320, P 400

## 9. Accesorios

Use solamente accesorios originales Metabo.

Programa completo de accesorios disponible en [www.metabo.com](http://www.metabo.com) o en el catálogo principal.

## 10. Reparación

Las reparaciones de herramientas eléctricas SÓLO deben efectuarlas técnicos electricistas especializados.

Si resulta dañado el cable de alimentación de red de esta máquina, deberá ser sustituido por el fabricante o su servicio de atención al cliente para evitar riesgos.

En caso de tener herramientas eléctricas que necesiten ser reparadas, diríjase, por favor, a su representante de Metabo. En la página [www.metabo.com](http://www.metabo.com) encontrará las direcciones necesarias.

En la página web [www.metabo.com](http://www.metabo.com) puede descargar listas de repuestos.

## 11. Protección ecológica

Cumpla lo estipulado por las normativas nacionales relativas a la gestión ecológica de los residuos y al reciclaje de herramientas, embalaje y accesorios usados.

## 12. Especificaciones técnicas

Notas explicativas sobre la información de la página 3.

Nos reservamos el derecho a efectuar modificaciones conforme al avance técnico.

D = Diámetro de la placa de apoyo

P<sub>1</sub> = Potencia de entrada nominal

P<sub>2</sub> = Potencia suministrada

n<sub>0</sub> = Número de revoluciones con marcha en vacío (ruedecilla de ajuste)

n<sub>0, TB</sub> = Número de revoluciones con marcha en vacío (interruptor de turboalimentación)

n<sub>1, TB</sub> = Número de revoluciones con carga nominal (interruptor de turboalimentación)

S<sub>0</sub> = Número de oscilaciones con marcha en vacío (rueda de ajuste)

S<sub>0, TB</sub> = Número de oscilaciones con marcha en vacío (interruptor de turboalimentación)

S<sub>1, TB</sub> = Número de oscilaciones con carga nominal (interruptor de turboalimentación)

S = Diámetro del circuito oscilante

m = Peso sin cable a la red



### ¡Utilice auriculares protectores!

Las especificaciones técnicas aquí indicadas se entienden dentro de determinadas tolerancias (conformes a las normas que rigen actualmente).

---

**PROFESSIONAL POWER TOOLS**

---

**metabo**<sup>®</sup>

Metabowerke GmbH,  
72622 Nürtingen, Germany  
[www.metabo.com](http://www.metabo.com)

170 26 8380 - 0712