

### **Standard Features**

- ▶ EX RT CLA Module is a long back-up charger to be used with a power module and external power battery cabinet.



# **Charger Module**

## **EX RT CLA**

### ***Installation and User Manual***

86-86000-04 A0

## CLA Module (Long backup time charger)

(Part number 86004)

Extended back-up time (up to 8 hours at full load) requires a high power battery cabinet connected to the EX 5/7/11RT via the CLA module.



**IMPORTANT**

**The CLA can not be used to charge the battery module (EXB). It is designed to charge the customer provided high power battery cabinet.**

Battery backup time chart.


Battery Backup Time	Recommended Batteries		
	EX 5 RT	EX 7 RT	EX 11 RT
2 hours	50 Ah	65 Ah	100 Ah
4 hours	100 Ah	130 Ah	200 Ah
8 hours	200 Ah	200 Ah	400 Ah

Total battery voltage : 240 V DC (20 x 12V DC).


The battery capacity must be set within the UPS (5 Ah increment possible, see UPS Personalization sect

### STEP 1 EX RT CLA Module Unpacking and Parts Check


#### EX RT CLA Module Box Contents



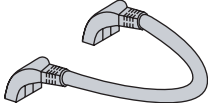
EX RT CLA Module  
Installation and  
User Manual



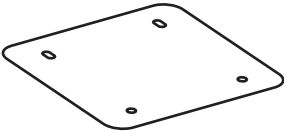
Tower Stand Expanders




Power Cable



Stabilizer Bracket  
(4 screws included)

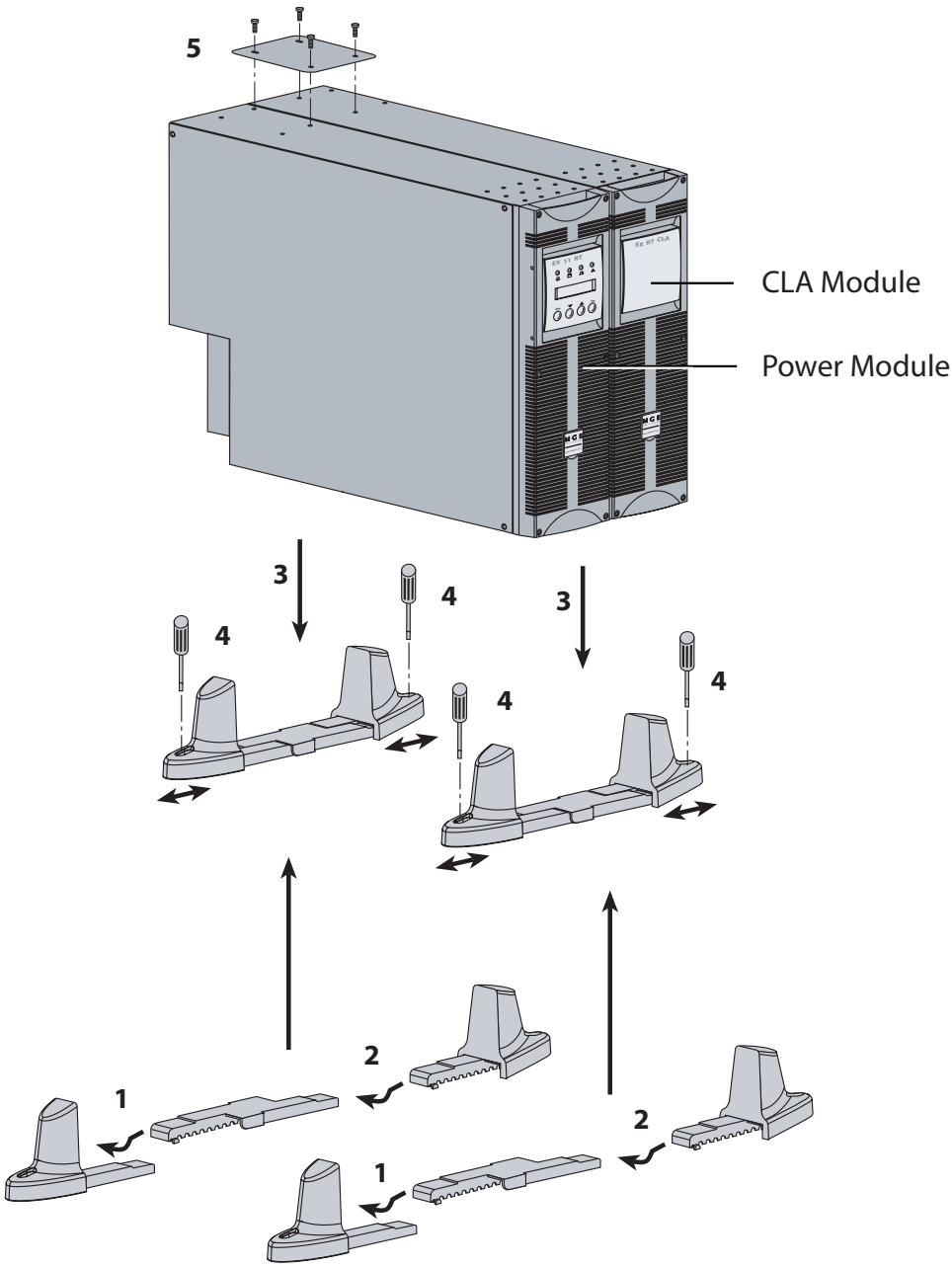


Battery Detection Cable



**STEP 2 EX RT CLA Module Tower Configurations**

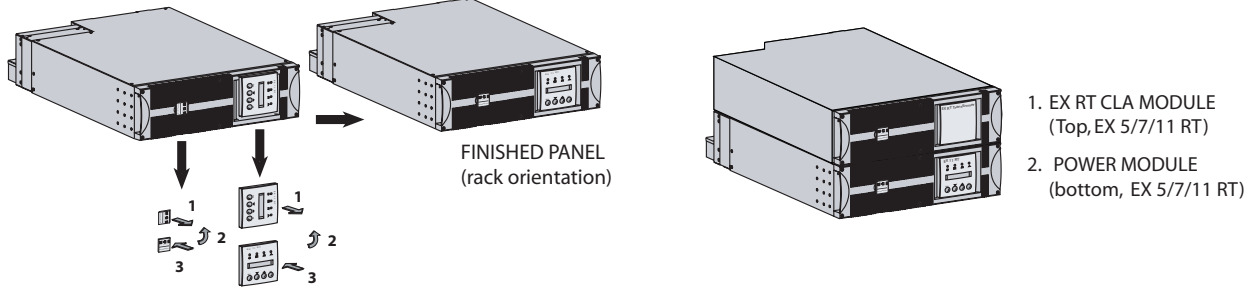
Follow the numerical sequence to assemble the footer supports as shown here with optional transformer.



**STEP 3 EX RT CLA Module Rack Configuration (Requires optional Rail Kits 86001, 86002. See System Installation and User Manual for details.)**

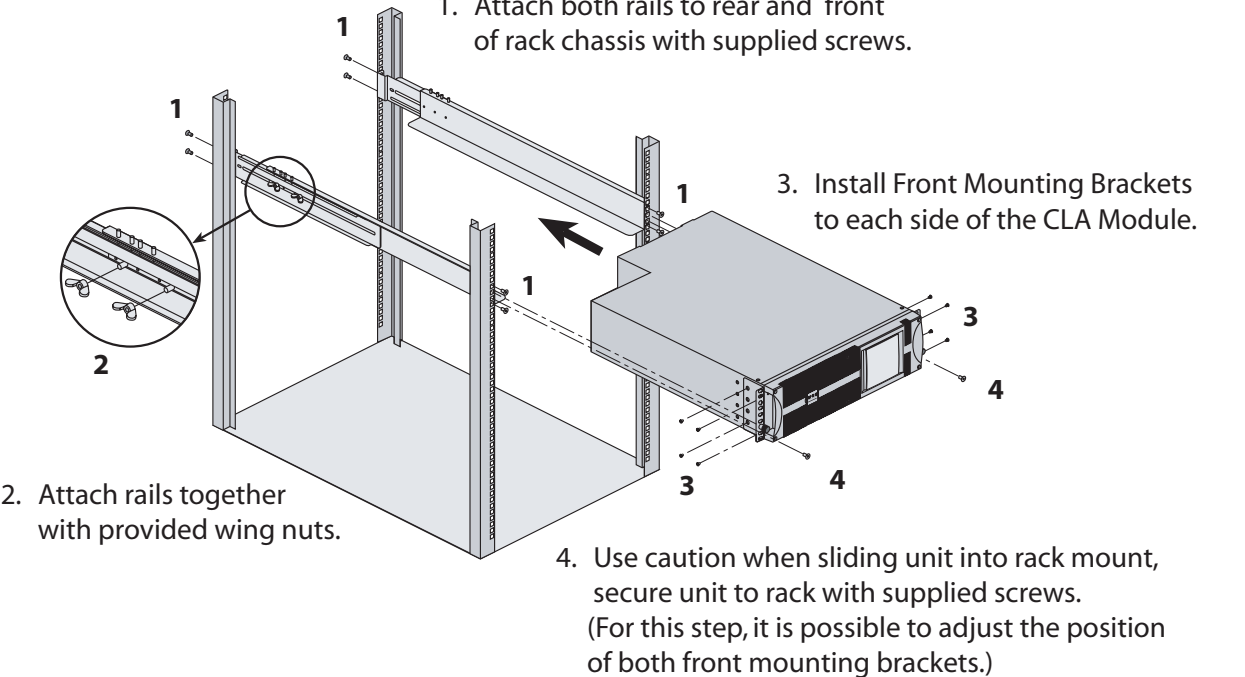
**A. Prepare the front panel logo and LCD display for rack orientation, Apply to all modules. Power Module shown.**

Stack-up sequence in Rack configuration



1. EX RT CLA MODULE (Top, EX 5/7/11 RT)  
2. POWER MODULE (bottom, EX 5/7/11 RT)

**B. Rack Installation**



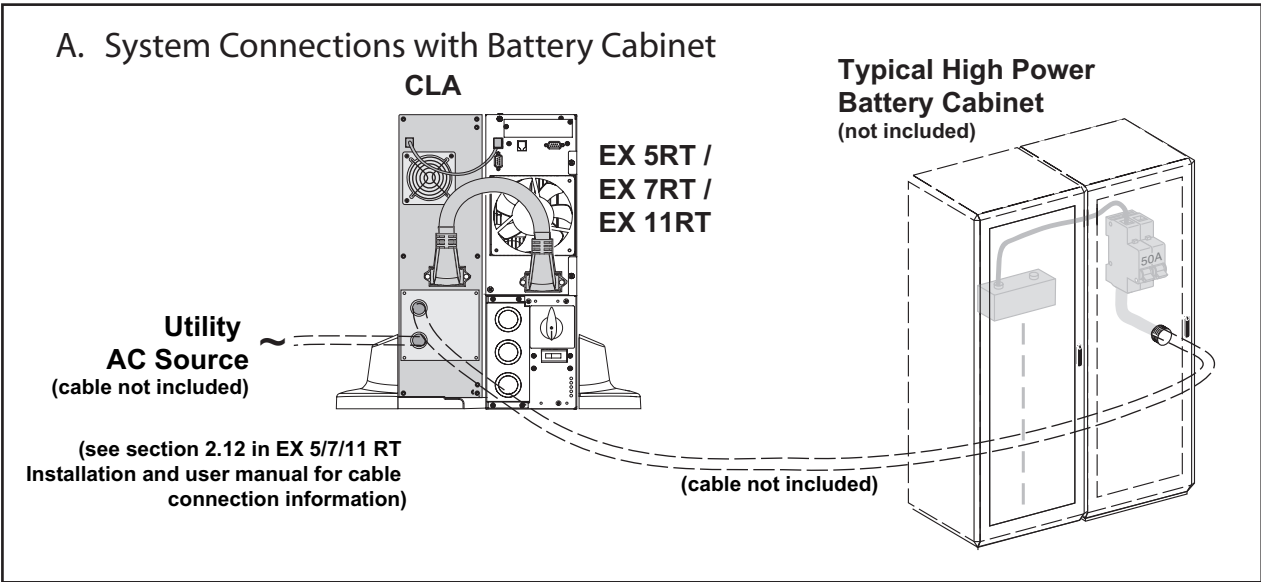
1. Attach both rails to rear and front of rack chassis with supplied screws.

2. Attach rails together with provided wing nuts.

3. Install Front Mounting Brackets to each side of the CLA Module.

4. Use caution when sliding unit into rack mount, secure unit to rack with supplied screws. (For this step, it is possible to adjust the position of both front mounting brackets.)

STEP 4 EX RT CLA Module Connections



See System Installation and User Manual for initial start-up procedures.

## **Contact MGE**

### **United States**

#### **MGE UPS SYSTEMS**

1660 Scenic Ave.  
Costa Mesa, CA 92626

Tel: (714) 557-1636  
(800) 523-0142  
Fax: (714) 557-9788  
email: [info@mgeups.com](mailto:info@mgeups.com)  
www: [mgeups.com](http://mgeups.com)

### **Canada**

#### **MGE UPS SYSTEMS**

#9, 2789 Thamesgate Drive  
Mississauga, ON L4T 4E8

Tel: (905) 672-0990  
(877) 672-0990  
Fax: (905) 672-7667  
email: [info@mgeups.com](mailto:info@mgeups.com)  
www: [mgeups.com](http://mgeups.com)

### **Latin America and Other International**

#### **MGE UPS SYSTEMS**

1660 Scenic Ave.  
Costa Mesa, CA 92626

Tel: (714) 513-7831  
(800) 523-0142 ext. 7831  
Fax: (714) 434-0199  
email: [info@mgeups.com](mailto:info@mgeups.com)  
www: [mgeups.com](http://mgeups.com)

**M G E**  
UPS SYSTEMS