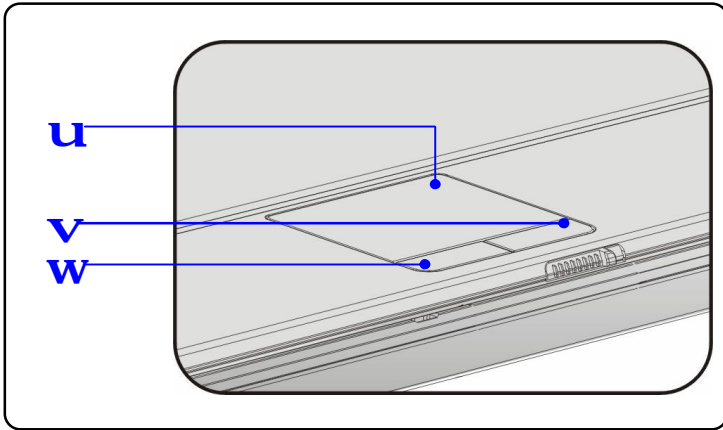


## Knowing the Touchpad

The touchpad integrated in your Notebook is a pointing device that is compatible with standard mouse, allowing you to control the Notebook by pointing the location of the cursor on the screen and making selection with its two buttons.



### 1. Cursor Movement Area

This pressure-sensitive area of the touchpad, allows you to place your finger on it and control the cursor on the screen by moving your finger.

### 2. Right Button

Acts as the mouse's right button.

### 3. Left Button

Acts as the mouse's left button.

## Using the Touchpad

Read the following description to learn how to use the touchpad:

### **n Positioning and Moving**

Place your finger on the touchpad (usually using the forefinger), and the rectangular pad will act as a miniature duplicate of your display. When you move your fingertip across the pad, the cursor on the screen will move simultaneously in the same direction. When your finger reaches the edge of the pad, lift your finger and replace it on a proper location of the touchpad.

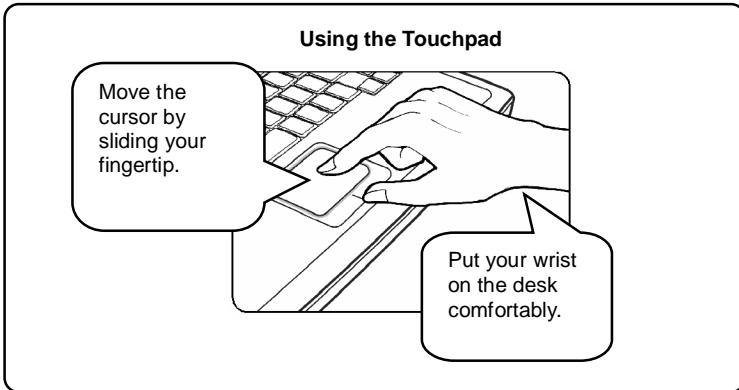
### **n Point and Click**

When you have moved and placed the cursor over an icon, a menu item or a command that you want to execute, simply tap slightly on the touchpad or press the left button to select. This procedure, called as point and click is the basics of operating your Notebook. Unlike the traditional pointing device such as the mouse, the whole touchpad can act as a left button, so that your each tap on the touchpad is equivalent to pressing the left button. Tapping twice more rapidly on the touchpad is to execute a double-click.

### **n Drag and Drop**

You can move files or objects in your Notebook by using drag-and-drop. To do so, place the cursor on the desired item and slightly tap twice on the touchpad, and then keep your fingertip in contact with the touchpad on the second tap. Now, you can drag the selected item to the desired location by moving your finger on the touchpad, and then lift your finger from the touchpad to drop the item into place. Alternately, you can press and hold the left button when you select an item, and then move your finger to the

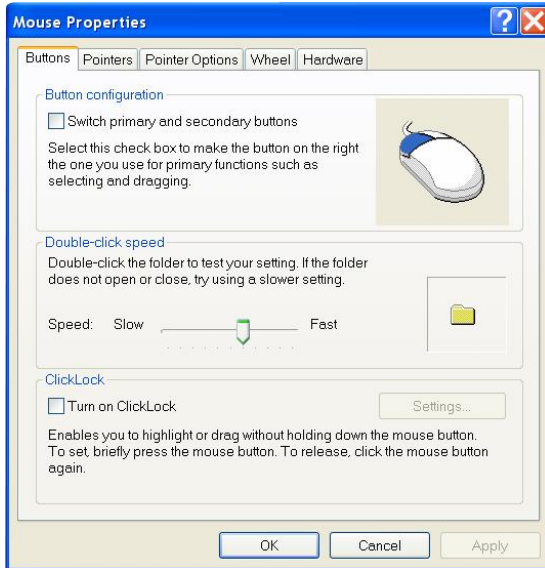
desired location; finally, release the left button to finish the drag-and-drop operation.



#### n **Configuring the Touchpad**

You can customize the pointing device to meet your personal needs. For example, if you are a left-hand user, you may want to swap the functions of the two buttons. In addition, you can change the size, shape, moving speed and other advanced features of the cursor on the screen.

To configure the touchpad, you can use the standard Microsoft or IBM PS/2 driver in your Windows operating system. The **Mouse Properties** in **Control Panel** allows you to change the configuration.

**Mouse Properties Window**

## About Hard Disk Drive

Your Notebook is equipped with a 2.5-inch IDE (Integrated Drive Electronics) hard disk drive. The hard disk drive is a storage device with much higher speed and larger capacity than other storage devices, such as the floppy disk drive and optical storage devices. Therefore, it is usually used to install the operating system and software applications.



### info

1. To avoid unexpected data loss in your system, please backup your critical files regularly.
2. Do not turn off the Notebook when the Hard Disk In-use LED is on.
3. Do not remove or install the hard disk drive when the Notebook is turned on. The replacement of hard disk drive should be done by an authorized retailer or service representative.

## Using the Optical Device Drive

Your Notebook is equipped with an optical storage device. The actual device installed in your Notebook depends on the model you purchased.

- n **DVD Combo Drive:** This device allows you to read DVD and CD, and record CD format.
- n **DVD Dual Drive:** In addition to read DVD and CD, this device allows you to record CD format and both the –R/RW and +R/RW DVD formats.
- n **Super Multi:** Works as a multi-functional DVD Dual Drive and a DVD RAM Drive.
- n **Lightscribe:** Allows users to have brief texts curved on the obverse side of the disks with the laser read/write head of the Optical Device Drive.



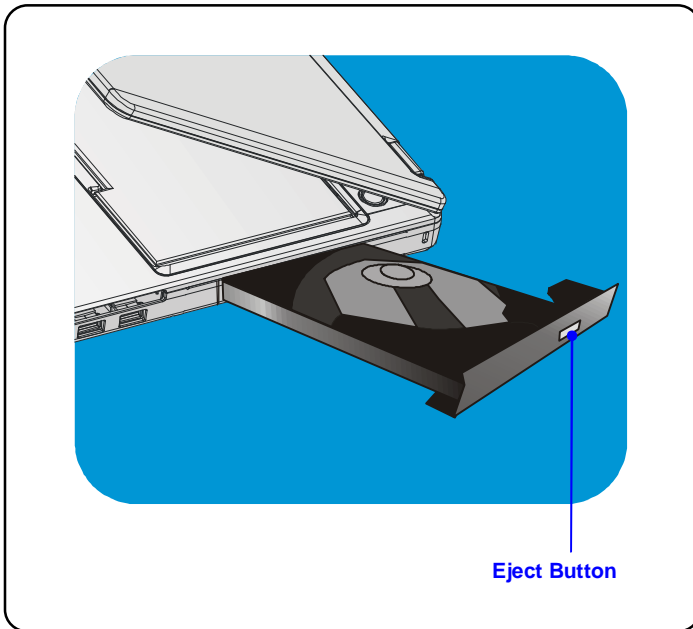
### Caution

1. The optical storage devices are classified as a Class 1 Laser products. Use of controls or adjustments or performance of procedures other than those specified here in may result in hazardous radiation exposure.
2. Do not touch the lens inside the drive.

## **Inserting the CD**

The following instruction describes the general procedure when operating the optical storage device, including the DVD-ROM drive.

1. Confirm that the Notebook is turned on.
2. Press the Eject Button on the drive's panel and the CD tray will slide out partially. Then, gently pull the tray out until fully extended.
3. Place your CD in the tray with its label facing up. Slightly press the center of the CD to secure it into place.
4. Push the tray back into the drive.



## Removing the CD

1. Press the Eject Button on the drive's panel and the CD tray will slide out partially. Then, gently pull the tray out until fully extended.
2. Hold the CD by its edge with your fingers and lift it up from the tray.
3. Push the tray back into the drive.



### info

1. Confirm that the CD is placed correctly and securely in the tray before closing the tray.
2. Do not leave the CD tray open.

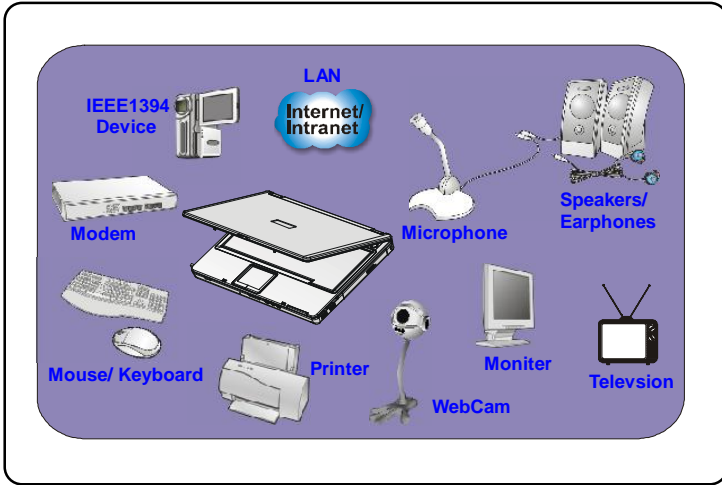


	Preface
Chapter 1	General Introductions
Chapter 2	Getting Started
Chapter 3	Customizing this Notebook
Chapter 4	BIOS setup



## Connecting the External Devices

The I/O (input/output) ports on the Notebook allow you to connect peripheral devices.



## Connecting the Peripheral Devices

### Connecting the Mouse

You can connect a mouse to your Notebook through the PS/2 port or USB port. If there is no PS/2 port available on your Notebook, but you only have mouse of PS2 connector, please purchase a PS/2-USB connector first. To connect the mouse:

1. Turn on the Notebook and install the mouse driver.
2. Connect your mouse to the Notebook.
3. The Notebook may auto detect your mouse driver and enable the mouse function. If there is no detection of you mouse you can manually enable the mouse by going to **Start Menu à Control Panel à Add Hardware** to add the new device.

### Connecting the Keyboard

You can connect a keyboard to your Notebook through the PS/2 port or USB port. If there is no PS/2 port available on your Notebook, but you only have mouse of PS2 connector, please purchase a PS/2-USB connector first. To connect the keyboard:

1. Turn on the Notebook and install the keyboard driver.
2. Connect your keyboard to the Notebook.
3. The Notebook may auto detect your keyboard driver and enable the keyboard function. If there is no detection of you keyboard you can manually enable the keyboard by going to **Start Menu à Control Panel à Add Hardware** to add the new device.

## Connecting the WebCam

You can connect a WebCam to your Notebook through the USB port. To connect the WebCam:

1. Turn on the Notebook and install the WebCam driver.
2. Connect your WebCam to the Notebook.
3. The Notebook may auto detect your WebCam driver and enable the WebCam function. If there is no detection of you WebCam you can manually enable the WebCam by going to **Start Menu à Control Panel à Add Hardware** to add the new device.

## Connecting the Printer

If your printer has a USB interface, you can then use the USB port on the Notebook to connect the printer. The following instruction describes the general procedure to connect a printer:

1. Turn off the Notebook.
2. Connect one end of the printer cable to the Notebook's USB port and the other end to the printer.
3. Connect the power cord and turn on the printer.
4. Turn on the Notebook and the system will detect a new device. Install the required driver.

For further instructions, please refer to your printer's manual.

## Connecting the External Monitor or TV

You can connect an external monitor to your Notebook through the VGA port for a larger view with higher resolution. To connect the monitor:

1. Make sure that the Notebook is turned off.

2. Plug the monitor's D-type connector into the Notebook's VGA port.
3. Connect the monitor's power cord and turn on the monitor.

Turn on the Notebook and the monitor should respond by default. If not, you can switch the display mode by pressing **[Fn]+[F2]**. Alternately, you can change the display mode by configuring the settings in **Display Properties** of Windows operating system.

### **Connecting the IEEE 1394**

The IEEE 1394 port of your Notebook is a next-generation serial bus that features a high-speed transfer rate and the connection of up to 63 devices, allowing you to connect many high-end peripheral devices and consumer electronic appliances, such as the DV (digital video camera). The IEEE 1394 standard interface supports "**plug-and-play**" technology, so that you can connect and remove the IEEE 1394 devices without turning off the Notebook.

To connect the IEEE 1394 device, simply connect the cable of the device to the IEEE 1394 port of your Notebook.

## Connecting the Communication Devices

### Using the LAN

The RJ-45 connector of the Notebook allows you to connect the LAN (local area network) devices, such as a hub, switch and gateway, to build a network connection. This built-in 10/100/1000 Base-T LAN module supports data transfer rate up to 1000Mbps.

For more instructions or detailed steps on connecting to the LAN, please ask your MIS staff or network manager for help.

### Using the Modem

The built-in 56Kbps fax/data modem allows you to use a telephone line to communicate with others or to dial-up to connect the Internet.

For more instructions or detailed steps on dialing-up through the modem, please consult your MIS staff or Internet service provider (ISP) for help.



### info

1. To reduce the risk of fire, use only No. 26 AWG or larger telecommunication lone cord.
2. You are strongly recommended to install the modem driver included in the software CD of your Notebook to take full advantage of the modem feature.

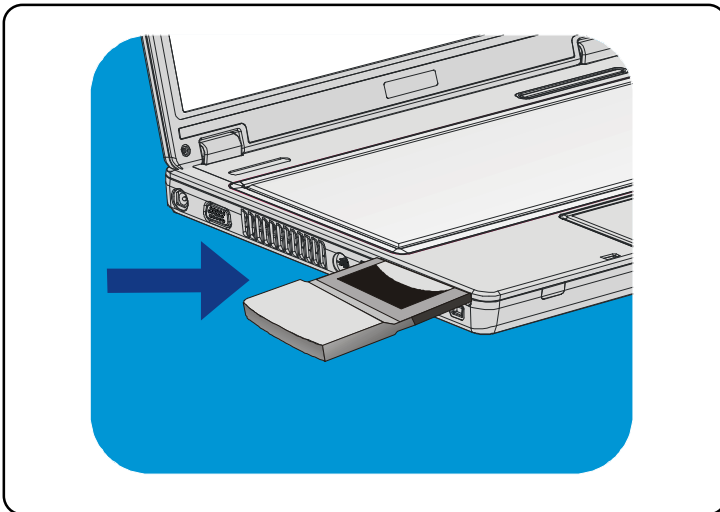
## PC Card Installation

The PC card slot of your Notebook allows you to install comprehensive Type-II PC cards that support various functions for your necessary, including the LAN/WLAN card, modem card and memory card.

The following instruction provides you with a basic installation for the PC card, including how to install and remove it. For more information, please refer to the manual of your PC card.

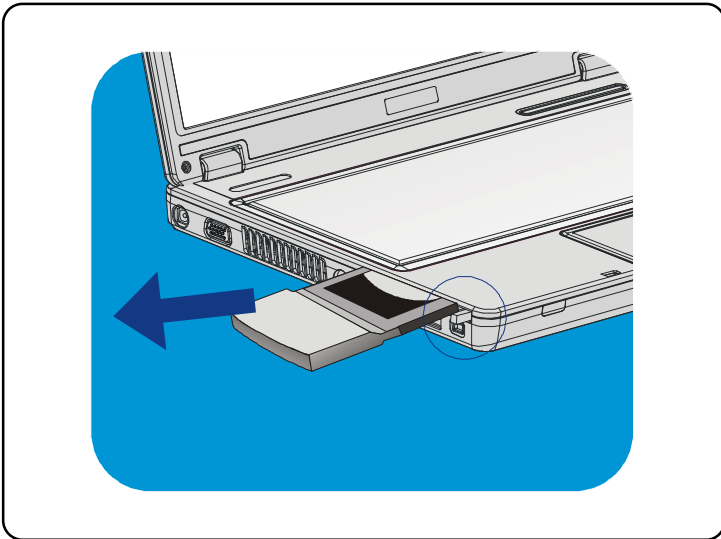
### Installing the PC card

1. Locate the PC card slot on your notebook. If there is the dummy card in the slot, remove it first.
2. Insert the PC card into the slot (usually with its label facing up) and push it until it is firmly seated.



## Removing the PC card

1. Press the Eject Button to make it stretch out.
2. Push the Eject Button and the PC card will slide out. Pull it out of the slot.
3. Reattach the dummy card back to the slot.



### info

1. *Do not hold the "golden finger" when installing the PC card; otherwise, it may cause interference or damage to the PC card.*
2. *Before removing the PC card, you should stop the device in Windows operating system.*



## Express Card Installation (Optional)

This computer provides an Express Card slot. The new Express Card interface is smaller and faster than PC Card interface. The Express Card technology takes advantage of the scalable, high-bandwidth serial PCI Express and USB 2.0 interfaces.

The following instruction provides you with a basic installation for the Express Card, including how to install and remove it. For more information, please refer to the manual of your Express Card.


### Installing the Express Card

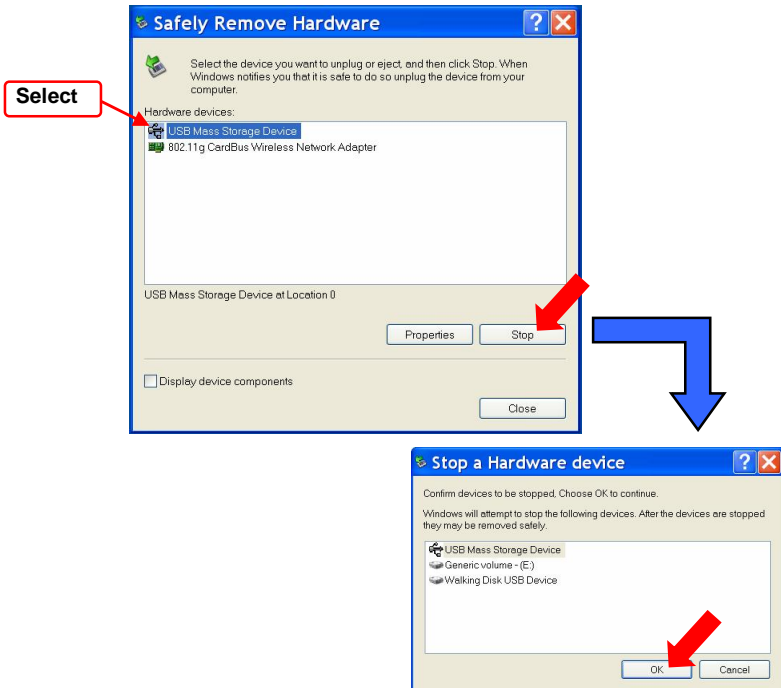
1. Locate the Express Card slot on your notebook. If there is the dummy card in the slot, remove it first.
2. Insert the Express Card into the slot (usually with its label facing up) and push it until it is firmly seated.

### Removing the Express Card

1. Press the edge of the Express card to make the card stretch out a bit.
2. Pull the Express card out of the slot.
3. Reattach the dummy card back to the slot.

## Safely Remove Hardware

If you connect any peripheral device to your system, the **Safely Remove Hardware** icon (  ) will appear on the taskbar. Double-click the icon to bring up the Safely Remove Hardware dialog box. You can see all connected peripheral devices here. If you want to remove any of the devices, move the cursor to the device and click **Stop**.



	<b>Preface</b>
<b>Chapter 1</b>	<b>General Introductions</b>
<b>Chapter 2</b>	<b>Getting Started</b>
<b>Chapter 3</b>	<b>Customizing this Notebook</b>
<b>Chapter 4</b>	<b>BIOS setup</b>



## About BIOS Setup

### When to Use BIOS Setup?

You may need to run the BIOS Setup when:

- w An error message appears on the screen during the system booting up and requests you to run SETUP.
- w You want to change the default settings for customized features.
- w You want to reload the default BIOS settings.

### How to Run BIOS Setup?

To run the BIOS Setup Utility, turn on the Notebook and press the [Del] key during the POST procedure.

If the message disappears before you respond and you still wish to enter Setup, restart the system by turning it OFF and ON, or simultaneously pressing [Ctrl]+[Alt]+[Delete] keys to restart.





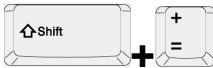





The word "info" is written in a purple, lowercase, sans-serif font. To its left is a decorative graphic consisting of a series of concentric, semi-circular lines in shades of purple and blue, resembling a stylized 'i' or a signal wave.

## info

The screen snaps and setting options in this chapter are for your references only. The actual setting screens and options on your Notebook may be different because of BIOS update.

## Control Keys

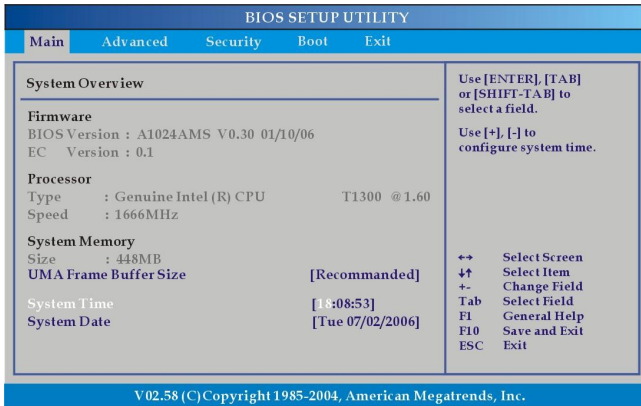
You can use only the keyboard to control the cursor in the BIOS Setup Utility.

	Press left arrow to select one menu title.
	Press right arrow to select one menu title.
	Press up arrow to select one item under the menu title.
	Press down arrow to select one item under the menu title.
	Increase the setting value or make changes.
	Decrease the setting value or make changes.
	<ol style="list-style-type: none"> <li>1) Open the selected item to change setting options.</li> <li>2) Bring up a sub-menu when available.</li> </ol>
	In some items, press this key to change setting field.
	Bring up help screen providing the information of control keys.
	<ol style="list-style-type: none"> <li>1) Exit the BIOS Setup Utility.</li> <li>2) Return to the previous screen in a sub-menu.</li> </ol>

## BIOS Setup Menu

Once you enter the BIOS Setup Utility, the Main menu will appear on the screen.

The Main menu displays the system information, including the basic configuration.



### Main menu

Show System Overview information about BIOS version, CPU features, Memory size and setting of System Time and Date.

### Advanced menu

Configure IDE and USB settings.

### Security menu

Install or clear Supervisor's and User's Password settings.

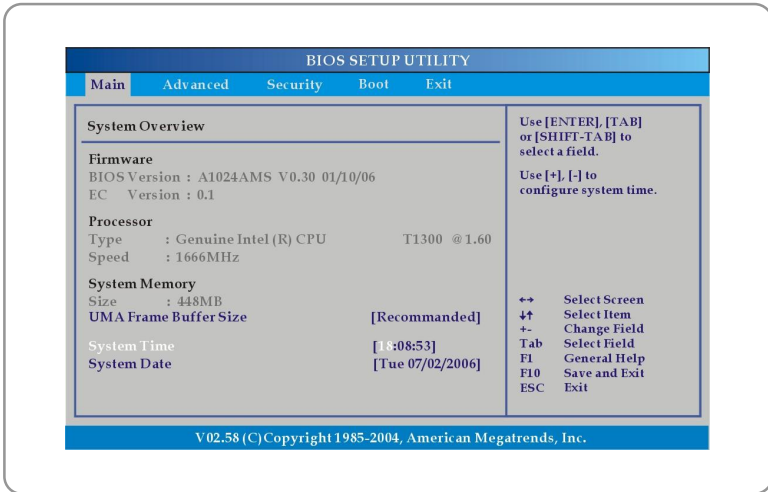
### Boot menu

Set up Boot Type and Boot Sequence.

### Exit menu

Choose decided status before leaving the BIOS menu.

## Main menu



### System Overview

System Overview will show you BIOS version and other information about its build date and update notes. Following is CPU's information about its Type and Speed.

#### w System Time

This item allows you to set the system time. The system clock will go on no matter you shut down the PC or get into sleep mode. The set format is [hour:minute:second].

**w System Date**

This item allows you to set the system date. The date format is [day:month:date:year].

**Day** Day of the week, from Sun to Sat, which is determined by BIOS (read-only).

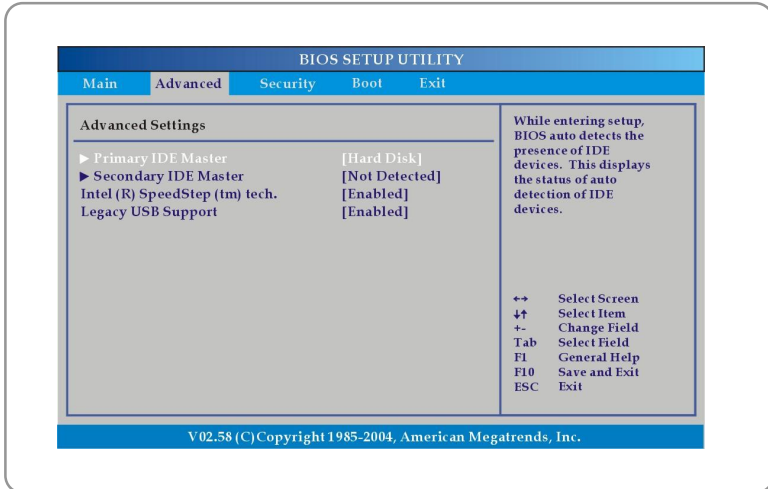
**Month** The month from 01 (January) to 12 (December).

**Date** The date from 01 to 31.

**Year** The year can be adjusted by users.



## Advanced menu



### Advanced Settings

#### w Primary/ Secondary IDE Master

The two items display the types of the primary and secondary master IDE devices installed in the Notebook. Press **[Enter]** to bring up a window showing the detailed information of the device, including the device name, vendor, LBA mode, PIO mode and more.

#### w Intel(R) SpeedStep(tm) tech.

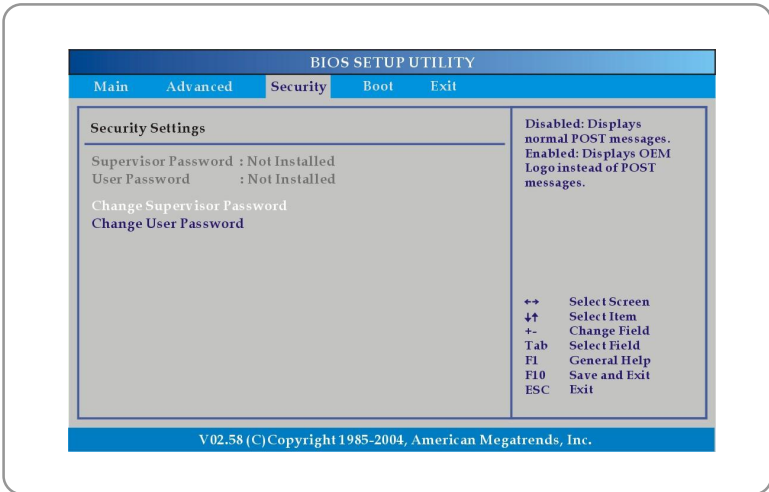
This item allows you to enable or disable Intel SpeedStep technology. When set to **Disabled**, the system always operates in a conserve power mode (the processor works at FSB400-600MHz or FSB533-800MHz). If you want optimize the processor, set this item to **Enabled**, so that the processor's speed will be controlled by the use of your operating system

and applications. Setting options: **Enabled**, and **Disabled**.

**w USB Keyboard Legacy Support**

Select **Enabled** to enable the legacy support for USB keyboard. Setting options: **Enabled**, and **Disabled**.

## Security menu



### Security Settings

#### w Change Supervisor/User Password

When you select the function, a message box will appear on the screen as below:

**Enter New Password**

Type the password *you* want, up to six characters in length and press [Enter]. The password typed now will replace any previously set password from CMOS memory. You may also press [ESC] to abort the selection and not enter a password.

When the Supervisor Password is set, the new item **User Access Level** and **Password Check** will be added in the menu. You can make further settings of access right in the **User Access Level** item. Setting options: **No Access, View Only, Limited** and **Full Access**. The Password Check item is used to specify the type of BIOS password protection that is implemented. Settings are described below:

- Setup** The password prompt appears only when end users try to run Setup.
- Always** A password prompt appears every time when the Notebook is powered on or when end users try to run Setup.

To clear a set password, just press **[Enter]** when you are prompted to enter the password. A message box will show up confirming the password will be disabled. Once the password is disabled, the system will boot and you can enter Setup without entering any password.

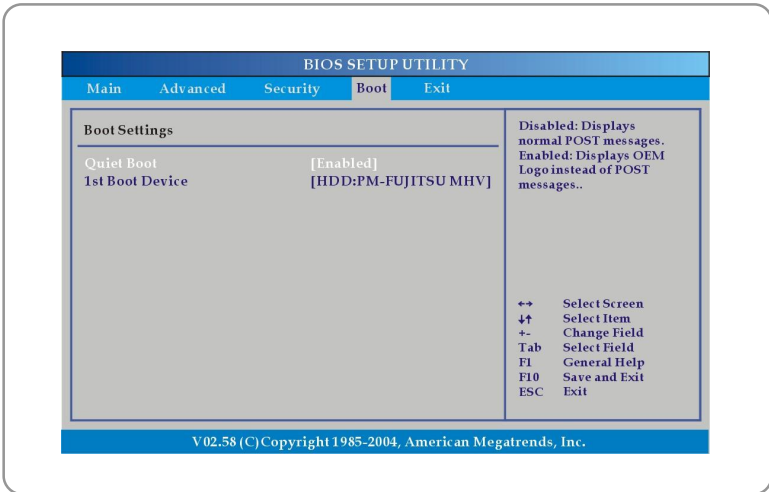


## info

### About Supervisor Password and User Password

Supervisor Password allows the user to enter and change the settings of the setup menu; User Password only allows the user to enter the setup menu, but do not have the right to make changes.

## Boot menu



### Boot Settings

#### w Quiet Boot

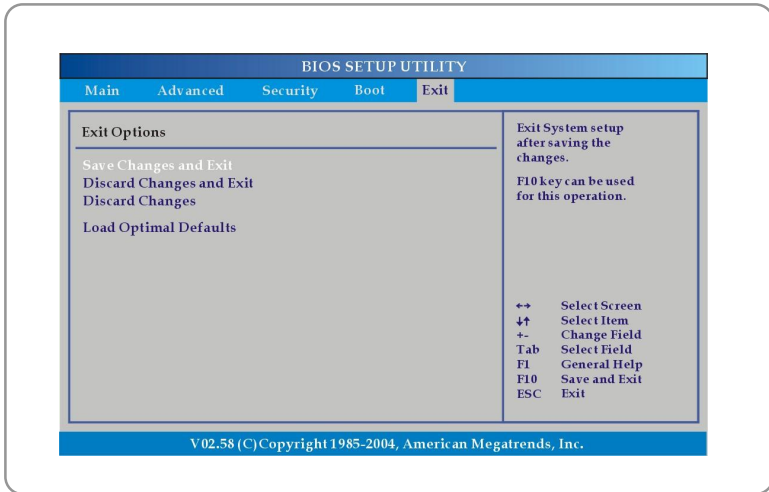
This item enables you to show the vendor logo on the boot-up screen.

Settings options: **Disabled** and **Enabled**. The default setting is **Enabled**.

#### w 1st Boot Device

The item allows you to set the sequence of boot devices where BIOS attempts to load the disk operating system.

## Exit menu



### Exit Options

#### w **Save Changes and Exit**

Save the changes you have made and exit the utility.

#### w **Discard Changes and Exit**

Exit the utility without saving the changes you have made.

#### w **Discard Changes**

Abandon your changes and reload the previous configuration before running the utility.

#### w **Load Optimal Defaults**

Select this item to load the default settings for optimal system performance.