

HAWKEYE® 1500 SERIES CONFIGURATION GUIDE

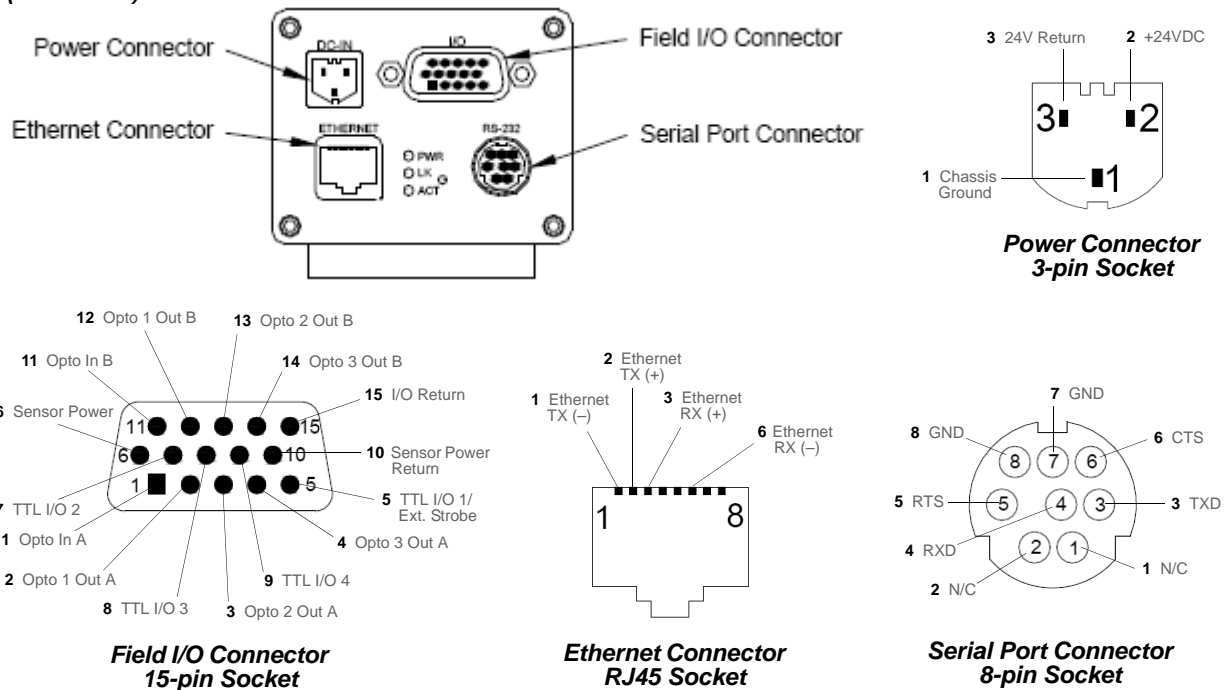


Hardware Required

Item	Description	Part Number
1	HawkEye 1500 Series Reader or Verifier	FIS-HE16-XXXX
2	Serial Communications Cable, PS/2-to-9-pin	98-AC00-0SC0
3	CAT5 Ethernet Cable	User-Supplied
4	Power Supply with International Plug Adapters (24V, 100-250V, 50-60 HZ)	98-HE15-0PS0
5	Power Supply Connector	98-HECONNPS
6	Power Cable, Flying Leads, 2 meters	98-AC00-0PC6
7	I/O Interface Cable, 25 feet	98-96601833
	I/O Interface Cable, 15 feet	98-96601832
	I/O Interface Cable, 10 feet	98-96601831

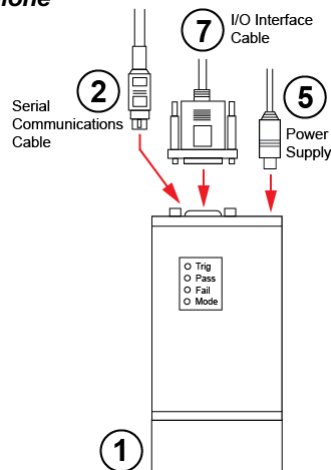
Pin Assignments

HawkEye 1500 Series Reader or Verifier (Back View)

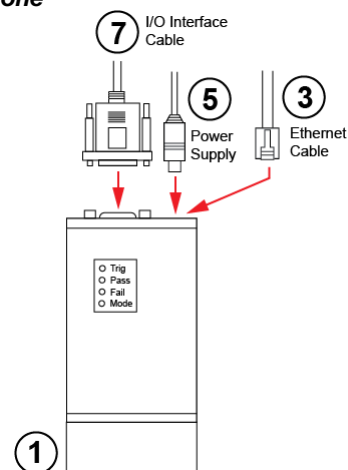


Configurations

Serial Standalone



Ethernet Standalone



HawkEye 1500 Series Accessories

Communication and I/O Cables		
Accessory	Part Number	Description
Serial Communication Cable	98-AC00-0SC0	HawkEye 1500 Serial Communications Cable
Serial Interface Cable	98-HESC010	HawkEye 1500 Serial Interface Cable, 10 feet
I/O Interface Cable	98-96601833	External I/O Interface Cable, 25 feet
I/O Interface Cable	98-96601832	External I/O Interface Cable, 15 feet
I/O Interface Cable	98-96601831	External I/O Interface Cable, 10 feet
Power Supply		
Power Supply	98-HE15-0PS0	HawkEye 1500 Power Supply, 24V, 100-250V, 50-60 HZ
Power Supply Connector	98-HECONNPS	HawkEye 1500 Power Supply Connector
Power Cable	98-AC00-0PC6	HawkEye 1500 Power Cable, Flying Leads, 2 meters
Lighting Options		
LED Ring Light	98-LG00-0XX0	HawkEye 1500 LED Ring Light, 25.5 mm Mount*
Light Mount	98-LG14-0XX0	HawkEye 1500 Light Mount, DF100 or DF150 (HELTMA 1L-M)*
Light Mount	98-LG15-0XX0	HawkEye 1500 Light Mount, R100 Ring (HELTMA 2L-M)*
Light Mount	98-LG16-0XX0	HawkEye 1500 Light Mount, R60 Ring (HELTMA 3L-M)*
Light Mount	98-LG17-0XX0	HawkEye 1500 Light Mount, DOAL 50 (HELTMA 4L-M)*
Strobe Interface Kit	98-LG18-0XX0	HawkEye 1500 Strobe Interface Kit*
Dark Field Light	NER-LG03-0XX0	HawkEye 1500 Light, DF100 Dark Field*
Ring Light	NER-LG05-0XX0	HawkEye 1500 Light, R60V2 Ring, HawkEye 1500 Power*
DOAL Light	NER-010200913CST	HawkEye 1500 Light, DOAL-50 V2, R LED-D, 12V-C, Molex Connector*
Configuration Options		
I/O Expansion Board	98-AC00-0EB0	HawkEye 1500 I/O Expansion Board
I/O Connector Kit	98-HECONNIO	HawkEye 1500 I/O Connector and Ground Tab Kit
I/O Terminal Block	98-99000561	DIN-Rail-Mounted External I/O Terminal Block
Light Stack	98-AC00-0SA0	Three-Color Light Stack, Connects to HawkEye 1500
IP65 Enclosure Glass Window	98-AC00-0EC5	HawkEye 1500 IP65 Enclosure Glass Window
IP65 Enclosure Polycarbonate Window	98-AC00-0EC6	HawkEye 1500 IP65 Enclosure Polycarbonate Window
HawkEye DPM Verifier	FIS-HEDPMVER-A0	HawkEye DPM Verifier (License Only)*
Mounting Options		
Base Mount Adapter	98-AC00-0BM5	HawkEye 1500 Base Mounting Adapter
Base Mount Adapter	98-HEBMA4	HawkEye 1515 Base Mount Adapter
Demo Stand	98-HEDSL	HawkEye 1500/1600T Demo Stand
Demo Stand	98-HEDS	HawkEye Demo Stand
Documentation		
Microscan Tools CD	37-000001	User's Manuals, Quick Start Guides, Configuration Guides, links to other documents on Microscan website

*Available to Microscan V2 and V3 Partners only.

Note: Additional accessories are available in the Microscan Product Pricing Catalog.