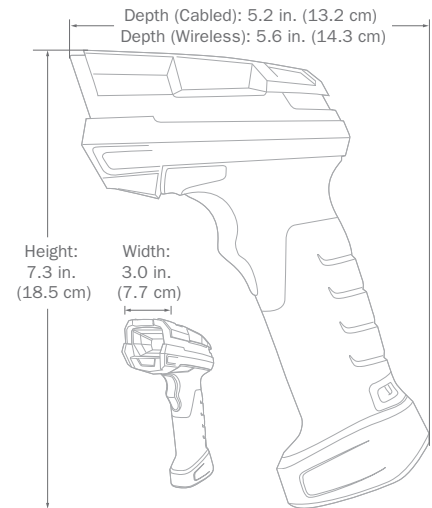


## HS-360X

### SPECIFICATIONS AND OPTIONS



#### DIMENSIONS

**Corded:** Height: 7.3 in. (18.5 cm); Width: 3.0 in. (7.7 cm); Depth: 5.2 in. (13.2 cm); Weight: 10.72 oz./304 g

**Cordless:** Height: 7.3 in. (18.5 cm); Width: 3.0 in. (7.7 cm); Depth: 5.6 in. (14.3 cm); Weight: 14.18 oz. (402 g)

#### USER ENVIRONMENT

**Operating Temperature:** Corded: -22° F to 122° F (-30° C to 50° C); Cordless: -4° F to 122° F (-20° C to 50° C)

**Storage Temperature:** Corded: -40° F to 158° F (-40° C to 70° C); Cordless: -40° F to 158° F (-40° C to 70° C)

**Humidity:** 5% to 95% non-condensing

**Drop Specification:** Withstands multiple 8.0 ft./2.4 m drops to concrete

**Tumble Specification:** 5,000 tumbles @ 3.3 ft. (1 m)

**Enclosure:** Reader: IP65 and IP67; Cradle: IP65

**ESD:** Per EN61000-4-2, ±20 KV air discharge, ±10 KV direct discharge, ±10 KV indirect discharge

**Ambient Light Immunity:** 0 to 10,037 foot-candles/0 to 108,000 Lux (direct sunlight)

#### Industrial Fluids Tested and Tolerable:

Motor/Engine Oil, Automatic Transmission Fluid (ATF), Continuously Variable Transmission Fluid (CVT), Industrial De-Greaser (Engine Brite Heavy Duty), Brake Fluid (DOT4)

#### ELECTRICAL

**Input Voltage Range:** Host-Powered: 4.5VDC min., 5.5 VDC max.; External Power Supply: 11.4 VDC min., 12.6 VDC max.

**Operating Current:** HDS-3608 (Corded): 360 mA (RMS typical)

**Standby Current:** HDS-3608 (Corded): 100 mA (RMS typical)

**Battery:** PowerPrecision+ 3100 mAh Li-Ion, Rechargeable

#### COMMUNICATION

USB (HID Keyboard, USB Virtual COM), RS-232

#### WIRELESS CONNECTIVITY

**Bluetooth Radio:** Bluetooth Class 1, Version 4.0 (LE), serial port (SPP) and HID profiles

**Data Rate:** 3 Mbit/s (2.1 Mbit/s) for Classic Bluetooth; 1 Mbit/s (0.27 Mbit/s) for Low-Energy

**Radio Range:** Direct line of sight in open air: Class 1: Minimum 300 ft. (100.0 m); Class 2: Minimum 30 ft. (10.0 m)

#### ILLUMINATION

**Direct:** 2 warm white light LED;

**Diffuse:** Ring of red 634 nm LEDs

**Targeting:** 655 nm laser

#### INDICATORS

Direct Decode Indicator; LEDs; Beeper; Vibration

#### PERFORMANCE

**Scans Per Full Charge:** 100,000+

**Imager Field of View:** Horizontal: 31°; Vertical: 23°

**Image Sensor:** 1,280 x 960 pixels

**Minimum Print Contrast:** 15% minimum reflective difference

**Skew/Pitch/Roll:** Skew: ±60°;

Pitch: ±60°; Roll: ±360°

#### UTILITIES

**WebLink<sub>pc</sub>** allows you to configure the reader, upgrade firmware, and display decoded symbol data.

#### SYMBOLOGIES

**2D:** Data Matrix, Composite Codes, TLC-39, Aztec, MaxiCode, QR Code, Micro QR, Chinese Sensible (Han Xin), Postal Symbolologies

**Stacked:** PDF417, MicroPDF417

**Linear:** Code 39, Code 128, Code 93, Codabar/NW7, Code 11, MSI Plessey, UPC/EAN, I 2 of 5, Korean 3 of 5, GS1 DataBar, Base 32 (Italian Pharma)

#### REGULATORY

**Environmental:** RoHS EN 50581: 2012

**Electrical Safety:** EU Safety: EN 60950-1: 2006+A11:2009+A1:2010+A12:2011+AC: 2011+A2:2013; International Safety: IEC 60950-1:2005+A1:2009+A2:2013;

US/Canada Safety: UL 60950-1 (Ed. 2), CAN/CSA-C22.2 No. 60950-1-07

**Laser/LED Safety:** Exempt Risk Group LED per IEC/EN 62471 (Ed. 1); Class 2 Laser per IEC/EN 60825-1 (Ed. 3); Complies with 21 CFR 1040.10

**EMI/RFI:** IT Emissions: EN 55022:2010/AC: 2011 (Class B); IT Immunity: EN 55024: 2010; Heavy Industrial: EN 61000-6-2: 2005/AC:2005; Harmonic Current Emissions: EN 61000-3-2:2006+A1:2009+A2:2009 (Class B); Voltage Fluctuation and Flicker: EN 61000-3-3:2013; Medical Electrical Equipment: EN 60601-1-2:2007/AC:2010, IEC 60601-1-2:2007 (Modified); Radio Frequency Devices: 47 CFR Part 15, Subpart B, Class B Digital Apparatus: ICES-003 Issue 5, Class B

#### QMS CERTIFICATION

[www.microscan.com/quality](http://www.microscan.com/quality)

©2018 Omron Microscan Systems, Inc. SP103A-EN-0518  
Specifications are subject to change.

For complete technical information, please see the user manual.  
Warranty – For current warranty information about this product, please visit [www.microscan.com/warranty](http://www.microscan.com/warranty).

**OMRON**  
**MICROSCAN**

[www.microscan.com](http://www.microscan.com)

## HS-360X READ RANGES

### Read Ranges

Symbology	Resolution	Inside Edge	Outside Edge
Code 39	3.0 mil	0.2 in. (0.5 cm)	2.8 in. (7.1 cm)
Code 39	5.0 mil	0.2 in. (0.5 cm)	2.8 in. (7.1 cm)
PDF417	6.6 mil	0.2 in. (0.5 cm) <sup>1</sup>	3.2 in. (8.1 cm) <sup>1</sup>
Data Matrix	5.0 mil	0.4 in. (1.0 cm)	2.5 in. (6.3 cm)
Data Matrix	10.0 mil	0.0 in. (0.0 cm)	3.4 in. (8.6 cm)
QR Code	5.0 mil	0.4 in. (1.0 cm)	2.5 in. (6.3 cm)
QR Code	10.0 mil	0.0 in. (0.0 cm)	3.4 in. (8.1 cm)
UPC	13.0 mil	1.0 in. (2.5 cm) <sup>1</sup>	5.8 in. (14.7 cm) <sup>1</sup>

<sup>1</sup>Field of view and barcode width limited. Read ranges measured with Decoder Effort Level 1. Barcodes printed on photographic paper. 30 foot-candles ambient light conditions during testing.