

PRODUCT PRICING CATALOG

Corporate Headquarters, USA

Microscan Systems, Inc.

1201 S.W. 7th Street

Renton, WA

98057-1213

Tel 425.226.5700

Fax 425.226.8250

CONFIDENTIAL

Contents

Sales Contacts.....	3
Sales/Support Contacts	4
Support and Service Contacts	4
Support Agreement Options.....	8
MS-1 Series Scan Engines.....	9
MS-2 Series CCD Readers	10
MS-3 Series Scanners	18
MS-4 Imager	28
MS-4 Imager	28
MS-9 High Speed Scanner	36
MS-9 High Speed Scanner	36
MS-820 Industrial Scanner.....	42
MS-860 Industrial Raster Scanner.....	48
MS-890 Industrial Automation Scanner	54
MS-Q Rugged Handled Imagers	62
MS-Q Handled Imagers with LightRay Optics.....	64
Quadrus MINI Family of Imagers.....	72
Quadrus EZ Family of Imagers.....	82
Quadrus Verifier - Production-Ready Data Matrix Verifier	93
MS-Connect Series.....	97
Product Accessories.....	102
Product Demonstration Kits.....	105
Scanner Applications Form	106

Sales Contacts

Region	Sales Managers	Address	Phone / email
Western U.S.A. / W. Canada	Al Forte	1069 E. Felicidad Dr Fallbrook, CA 92028	Tel: 760-685-6220 aforte@microscan.com
South Central U.S.A. / E. Canada	Richard Bellemare	2427 Allen Street, #412 Dallas TX 75204	Tel: 214.468.8660 rbellema@microscan.com
Central U.S.A.	Bob Fines	3028 Ashbury Drive Naperville, IL 60564	Tel: 630.904.9210 rfines@microscan.com
East Central U.S.A.	Gordon Smith	6858 Corrigan Drive Brighton, MI 48116	Tel: 810.494.5593 gsmith@microscan.com
Southeastern U.S.A. / Latin America	David Deardorff	635 Riverhaven Dr. Suwanee, GA 30024	Tel: 770.888.0490 ddear@microscan.com
Mid Atlantic U.S.A. / Puerto Rico	Steve Thornton	7800 Turnmill Court Richmond, VA 23235	Tel: 804.675.2320 sthornton@microscan.com
Northeastern U.S.A.	Chris Palmer	1720 Cooper Rd. Scotch Plains, NJ 07076-2552	Tel: 908.889.7450 Mobile: 908.693.7298 cpalmer@microscan.com
Europe	René van Mourik	Lemelerberg 17 NL-2402 ZN Alphen aan den Rijn, The Netherlands	Tel: (31)172.4233.60 rene.van.mourik@microscan.nl
	German Gomez	Lemelerberg 17 NL-2402 ZN Alphen aan den Rijn, The Netherlands	Tel: (31)172.4233.60 Mobile: (31)610.2878.37 german.gomez@microscan.nl
Germany	Helmuth Zierer	Ferdinand Zwack Str. 17 D-85354 Freising - Germany	Tel: +49(0)8161/9199-33 helmuth.zierer@microscan.nl
France/Belgium	Michael de Kegel	Zonnestrarat 11 B-9300 Aalst Belgium	Tel: (32)474.3110.56 michael.de.kegel@microscan.nl
Mediterranean Countries	Osman Erturk	Lemelerberg 17 NL-2402 ZN Alphen aan den Rijn, The Netherlands	Tel: (31)172.4233.60 osman.erturk@microscan.nl
Singapore	Wayne Goh	31 Kaki Bukit Road 3 #06-04/05 TechLink, Singapore 417818	Tel: 65.6846.1214 waynegoh@microscan.com
Singapore	Goh Yee Heng	31 Kaki Bukit Road 3 #06-04/05 TechLink, Singapore 417818	Tel: 65.6846.1214 gohyh@starhub.net.sg
China/Guangzhou	Charles Cheng	11A GoldSun Building 109 Ti Yu Xi Road, TianHe, Guangzhou 510620, P. R. China	Tel: +86.20.87568900 bcheng@spectris.com.cn
	Alan Fan	11A GoldSun Building 109 Ti Yu Xi Road, TianHe, Guangzhou 510620, P. R. China	Tel: +86 20 28873800 zyfan@spectris.com.cn
China/Shanghai	JR Zhuang	Unit 101, XinAn Plaza, Building 13, No. 99 Tianzhou Road, Shanghai, 200233, P.R.C.	Tel: 86.21.61133750 jrzhuang@sh163.net jrzhuang@microscan.com

Prices and Specifications Subject to Change

\$100 Minimum Order

Confidential Document

Tel: 425.226.5700
Fax: 425.226.8250

07-00001-01, Rev N

Page 3 of 106

www.microscan.com

China/Beijing	Gang Gang Song	Spectris China Ltd Rm 1707 Everbright Building # 6 Fu Xing Men Wai Street Beijing 100045	Tel: +86 -10- 68560808 ext. 151 ggsong@spectris.com.cn
Korea	Moon Soo Kim	SH Building, 8th floor, 16-6, Sunae-dong, Bundang-gu, Seongnam City, Kyeonggi-Do, Korea, 463-825	Tel: 82.31.786.0835 zenith77@unitel.co.kr moonsookim@microscan.com
Japan	Koji Seto	1F JP Kaji-cho Bldg., 3-5-2 Kandakaji-cho, Chiyoda-ku, Tokyo 101-0045, Japan	Tel: 03.3255.8163 kseto@microscan.com

Sales/Support Contacts

Region	Inside Sales Managers / Address	Phone / email	Ext
Western U.S.A /Canada / Asia	Bracie Hemstreet Microscan 1201 SW 7 th St. / Renton WA 98057-1213	Tel: 425.226.5700 bhemstreetl@microscan.com	1116
China / Australia / New Zealand	Steve Kinney Microscan 1201 SW 7 th St. / Renton WA 98057-1213	Tel: 425.226.5700 skinney@microscan.com	1120
Central U.S.A. / Europe	Matt Scrichfield Microscan 1201 SW 7 th St. / Renton WA 98057-1213	Tel: 425.226.5700 mscrich@microscan.com	1121
Eastern U.S.A. / Mexico / Central-South America	Joe Mercurief Microscan 1201 SW 7 th St. / Renton WA 98057-1213	Tel: 425.226.5700 jmerc@microscan.com	1155

Support and Service Contacts

Support/Service	Contact / Address	Phone / email	Ext
Distributor Business Development	Peter Horton (Channel Programs Manager) Microscan 1201 SW 7 th St. / Renton WA 98057-1213	Tel: 425.226.5700 phorton@microscan.com	1135
Demo Orders and Order Status	Lauri Scrichfield (Sales and Demo Admin.) Microscan 1201 SW 7 th St. / Renton WA 98057-1213	Tel: 425.226.5700 lscrich@microscan.com	1165
Help Desk		Tel: 425.226.5700 Tel: 800.251.7771 helpdesk@microscan.com	1222
Service Contracts, Component Orders (piece parts, returns, obtain SRO #)	Contact your inside Sales manager	Tel: 425.226.5700	

Note: Only products which are currently active (recommended for new applications) are shown in this product pricing catalog. Information regarding legacy and obsolete products is available by calling the sales/support contacts listed at the top of this page.

Support Agreements

Microscan, the leader of the fixed mount bar code scanning industry, has always believed in providing its customers with the highest level of customer support. We are proud to offer comprehensive **Support Agreements** to insure that our customers achieve top performance and service on every product we manufacture. These **Support Agreements** are comprehensive tools that provide outstanding post-sales support. Some highlights of the agreements involve:

Support Agreement Options:

- **24 hour replacement option...** In the event your product malfunctions, Microscan will ship you a replacement unit within 24 hours of your phone call. The replacement unit is a factory refurbished unit which looks and performs just like new. The 24 hour replacement provides maximum convenience with limited down time. The 24 hour replacement option is not available for customized scanners or special part numbers unless approved in advance by Microscan.
- **Expedited option....** The expedited support agreement provides quick turnaround for scanners shipped to Microscan for repair. Scanners are repaired and tested within 3 to 5 working days.
- **Standard options....** This is the support agreement of choice for those who want full coverage and do not require expedited service. Scanners are repaired and tested within 10 to 14 working days.

Support Agreement Options: Support agreements offer the following advantages in addition to replacement or repair:

- **Warranty benefits....** Contracted units will carry all program benefits during the warranty period.
- **Free technical support...** Microscan's expert technicians are available to provide solutions for set-ups, configurations, troubleshooting, or any other situations that may be encountered.
- **Free software upgrades for ESP....** Microscan is committed to obtaining the best possible performance from their scanners, and therefore periodically releases software upgrades. Get free software for the life of your program term at www.microscan.com
Note: Software upgrades are not done on a replacement basis.

How Do Support Agreements Work?

- Support agreements must be purchased with the scanner, or before the one year warranty expires.
- Support agreements begin after the date of expiration of the manufacturer warranty. Contracted units will carry all program benefits during the warranty period.

Who do I call for assistance with support agreements?

- Contact your Inside Sales Manager

Product Return Process

The following describes the process for returning products. This is broken down into two main processes:

1. **RA (Return Authorization) process for NEW PRODUCT**
2. **SRO (Service Return Order) process for IN SERVICE PRODUCT**

RA (Return Authorization) process for NEW PRODUCT

This process is used to return a new product because it failed to work on initial startup (DOA – dead on arrival) or the end customer wants to return the product to stock.

- **DOA (Dead on Arrival)** = Out of box failures, determined at time of initial power up and within 30 days of shipment from Microscan.
 1. Contact your inside sales representative with the FIS part number, serial number, original sales order and/or purchase order and description of failure.
 2. RA# issued only by Inside Sales Rep. This number MUST appear on the outside of the shipping container and on all related paperwork. Product must be returned in it's original factory packaging. If defective scanner is covered under our standard warranty terms, customers ORIGINAL SALES ORDER will be credited.
 3. If required, a REPLACEMENT sales order can be entered immediately for ASAP shipment. NOTE - Replacement scanner is processed as a NEW order and NEW INVOICE is generated at time of shipment.
- **Returns to stock** = Must be requested within 30 days of original shipment date from Microscan.
 1. Contact your inside sales representative with FIS or accessory part number, serial number (if applicable), original sales order and/or purchase order and reason for return. Upon approval all returns are subject to a standard 20% restocking fee.
 2. RA# issued by Inside Sales Rep. This number MUST appear on the outside of the shipping container and on all related paperwork. Product must be returned in it's original factory packaging.

SRO (Service Return Order) process for IN SERVICE PRODUCT

This process is used to return a product that needs to be repaired.

- **IN WARRANTY**
 1. Contact our Customer Service Representative @ ext. 1108 with the FIS part number, serial number, description of failure and request a SERVICE RETURN ORDER FORM. Upon completion of this document, return it and an SRO# will then be issued authorizing the return of the product.
 2. SRO# issued by Customer Service Representative. This number MUST appear on the outside of the shipping container and on all related paperwork.
- **OUT OF WARRANTY**
 1. Contact our Customer Service Representative @ ext. 1108 and request a SERVICE RETURN ORDER FORM. Upon completion of this document, return it along with your confirming PURCHASE ORDER and an SRO# will then be issued authorizing the return of the product.
 2. SRO# issued only by Customer Service Representative. This number MUST appear on the outside of the shipping container and on all related paperwork.

Standard Terms and Conditions

Microscan service contracts cover all parts and labor necessary to make your equipment fully operational. All returns must occur within the time period called out in the contract. The contracts do not cover failures caused by: alterations in the equipment, accidents, neglect, misuse, inadequate environmental conditions (these include, but are not limited to, electrical power, air conditioning, and humidity control). Failure caused by conditions beyond ordinary use, (including a customer's failure to provide and maintain a clean operating environment). Failure to follow the instructions set forth in the Microscan User's Manuals detailing how to clean and operate the equipment properly.

Support Agreement Options

1 year Standard Support Agreements			
P/N	Description		List Price
COV-0003-NS	MS-3	Standard Support Agreement	\$100
COV-0004-NS	MS-4	Standard Support Agreement	\$100
COV-0820-NS	MS-820	Standard Support Agreement	\$200
COV-0860-NS	MS-860	Standard Support Agreement	\$200
COV-0890-NS	MS-890	Standard Support Agreement	\$300
COV-0911-NS	MS-9	Standard Support Agreement	\$200
COV-5100-NS	MS-Connect 5100	Standard Support Agreement	\$150
COV-6300-NS	Quadrus MINI	Standard Support Agreement	\$200
COV-6700-NS	Quadrus EZ	Standard Support Agreement	\$300

3-5 Day Support Agreements			
P/N	Description		List Price
COV-0003-NR	MS-3	Expedite Support Agreement	\$150
COV-0004-NR	MS-4	Expedite Support Agreement	\$150
COV-0820-NR	MS-820	Expedite Support Agreement	\$250
COV-0860-NR	MS-860	Expedite Support Agreement	\$250
COV-0890-NR	MS-890	Expedite Support Agreement	\$350
COV-0911-NR	MS-9	Expedite Support Agreement	\$250
COV-5100-NR	MS-Connect 5100	Expedite Support Agreement	\$200
COV-6300-NR	Quadrus MINI	Expedite Support Agreement	\$250
COV-6700-NR	Quadrus EZ	Expedite Support Agreement	\$350

24 Hour Replacement Support Agreements			
P/N	Description		List Price
COV-0003-NX	MS-3	Replacement Support Agreement	\$200
COV-0004-NX	MS-4	Replacement Support Agreement	\$200
COV-0820-NX	MS-820	Replacement Support Agreement	\$300
COV-0860-NX	MS-860	Replacement Support Agreement	\$300
COV-0890-NX	MS-890	Replacement Support Agreement	\$400
COV-5100-NX	MS-Connect 5100	Replacement Support Agreement	\$250
COV-0911-NX	MS-9	Replacement Support Agreement	\$300
COV-6300-NX	Quadrus MINI	Replacement Support Agreement	\$300
COV-6700-NX	Quadrus EZ	Replacement Support Agreement	\$400

MS-1 Series Scan Engines

Read Ranges *	
Narrow Bar	High Density*
5 mil (.127 mm)	0.9" to 2.3" (23 to 58 mm)
10 mil (.254 mm)	0.9" to 3.5" (23 to 89 mm)
15 mil (.381 mm)	1.2" to 4.3" (25 to 109 mm)
Narrow Bar	Low Density*
5 mil (.127 mm)	1.5" to 3.5" (35 to 89 mm)
10 mil (.254 mm)	1.8" to 7.6" (46 to 193 mm)
20 mil (.508 mm)	3.0" to 13.8" (76 to 351 mm)



*Call for custom focus. For right-angle version, subtract ~0.6" (15mm) from Read Range.

MS-1 Series Scan Engine		
Part Number	Description	List Price
FIS-0001-8001G	CCD Scan Engines, Low Density, 8-pack	\$1032
FIS-0001-8002G	CCD Scan Engines, High Density, 8-pack	\$1032

Accessories		
Part Number	Description	List Price
98-000097-01	MS-1 Demonstration Kit (Note: kit contains 1 HD MS-1 and 1 LD MS-1)	\$295
98-000051-01	IC-3USB, USB Conversion Kit	\$75

Package Detector/Sensor		
Part Number	Description	List Price
99-000017-01	Photo Sensor, Visible, NPN, DARK ON	\$175
99-000017-02	Photo Sensor, Visible, NPN, LIGHT ON	\$175

Software/Manuals		
Part Number	Description	List Price
37-000001-01*	CD ROM, User's Manuals, ESP Software	\$30

* 1 free per order.

MS-2 Series CCD Readers

Read Ranges *	
Narrow Bar	Laser High Density*
5 mil (.127 mm)	0.7" to 2.1" (17.7 to 53.3mm)
10 mil (.254 mm)	0.7" to 3.3" (17.7 to 83.8 mm)
15 mil (.381 mm)	1.0" to 4.1" (25.4 to 104.1 mm)
Narrow Bar	Laser Low Density*
5 mil (.127 mm)	1.3" to 3.3" (33 to 83.8 mm)
10 mil (.254 mm)	1.6" to 7.4" (40.6 to 187.9 mm)
20 mil (.508 mm)	2.8" to 13.6" (71 to 345.4 mm)



*Call for custom focus. For right-angle version, subtract ~0.6" (15mm) from Read Range.

MS-2		
Part Number	Description	List Price
FIS-0002-0001G	MS-2, CCD, Low Density	\$359
FIS-0002-0002G	MS-2, CCD, Low Density, Right Angle	\$429
FIS-0002-0003G	MS-2, CCD, High Density	\$359
FIS-0002-0004G	MS-2, CCD, High Density, Right Angle	\$429

Accessories		
Part Number	Description	List Price
FIS-0210-0001G	MS-Connect 210, Connectivity Box with Display	\$595
FIS-0210-0002G	MS-Connect 210, Connectivity Box	\$395
FIS-0210-0003G	MS-Connect 210, Connectivity Box with Display and Ethernet	\$795
FIS-0210-0004G	MS-Connect 210, Connectivity Box with Ethernet	\$595
61-000127-02	Cable, MS-2 to MS-Connect 210, 6 ft	\$100
FIS-0001-0030G	IB-3PC Keyboard Wedge/Interface Box	\$100
98-000051-01	IC-3USB, USB Conversion Kit	\$75
FIS-0001-0035G	IC-332, Connects MS-2 to IB-131 (Note: replaces IC-331, FIS-0001-0029)	\$150
99-000018-01	IB-131, Interface Box	\$150
98-000039-02	Kit, IB-152, DB25 Plug Terminal Block, DB25 Gender Changer	\$125
61-300026-03	Cable, Communication, DB-25 Plug to DB-9 Socket, 6 ft	\$30
61-000010-02	Cable, Communication, DB-9 Socket to DB-9 Socket, 6 ft	\$30
61-000011-02	Cable, MS-820 to IB-131 (also use for MS-2, 3, 4, 9, 710 and MINI Extension)	\$30
61-000143-01	Firmware Upgrade Adapter for MS-2	\$30
61-100029-03	Cable, IB-131 Daisy Chain, 1 ft	\$30
20-500013-01¹	DeviceNet Protocol Box	\$595

Mounting and Connectors

Part Number	Description	List Price
98-000048-01	Mounting Arm/Adapter Kit, 4 inch, MS-2, MS-3	\$70
98-000054-01	Kit, Mounting Stand Base Plate, MS-2, MS-3	\$30
98-000053-01	Extension Kit, 4 inch, MS-2, MS-3	\$35
98-000053-02	Extension Kit, 3 inch, MS-2, MS-3	\$35
98-000060-01	Kit, Bracket, Side Mount, MS-2, MS-3	\$20
98-000059-01	Kit, Bracket, Angle Mount, MS-2, MS-3	\$20
98-000057-01	Kit, Bracket, Through Hole Mount, MS-2, MS-3	\$20
98-000058-02	Kit, Extended Right Angle Mirror, MS-2, MS-3	\$50
98-000061-03	MS-2, MS-3 to MS-520/MS-525, Bracket Conversion Kit	\$20
20-610024-01	Trigger Connector, 4-pin Plug	\$30
20-610020-01	Power Connector, 3-pin Socket	\$30

Package Detector/Sensor

Part Number	Description	List Price
99-000017-01	Photo Sensor, Visible, NPN, DARK ON	\$175
99-000017-02	Photo Sensor, Visible, NPN, LIGHT ON	\$175

Software/Manuals

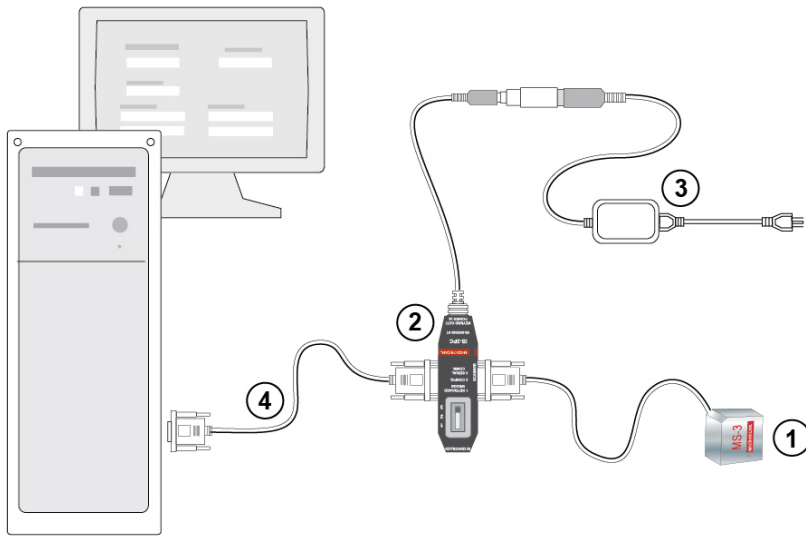
Part Number	Description	List Price
37-000001-01*	CD ROM, User's Manuals, ESP Software	\$30

* 1 free per order.

Tech Reference *MS-2*

Stand Alone (5V)

This is the basic setup for a single MS-2.



System Matrix

Product	Reference No.	Description	Price
(1) MS-2 CCD Reader	FIS-0002-XXXXG	Reader Model	Varies
(2) IB-3PC	FIS-0001-0030G	Keyboard Wedge/Interface Box	\$100
(3) Power Supply	97-000002-01	Power Supply, 90-264 VAC, +5VDC	\$75
(4) Communication Cable	61-000010-02	9-pin Socket to 9-pin Socket, 6 ft	\$30
Mounting Arm/Adapter Kit	98-000048-01	4" (102mm) Mounting Kit	\$70
Mounting Plate	98-000054-01	Mounting Stand Base Plate, Small	\$30
User's Manuals, ESP Software	37-000001-01*	CD ROM, User's Manuals, ESP Software	\$30
Support	COV-0003-NX**	24-hr Guarantee for Replacement Scanner/1 yr. Term	\$200

* 1 free per order.

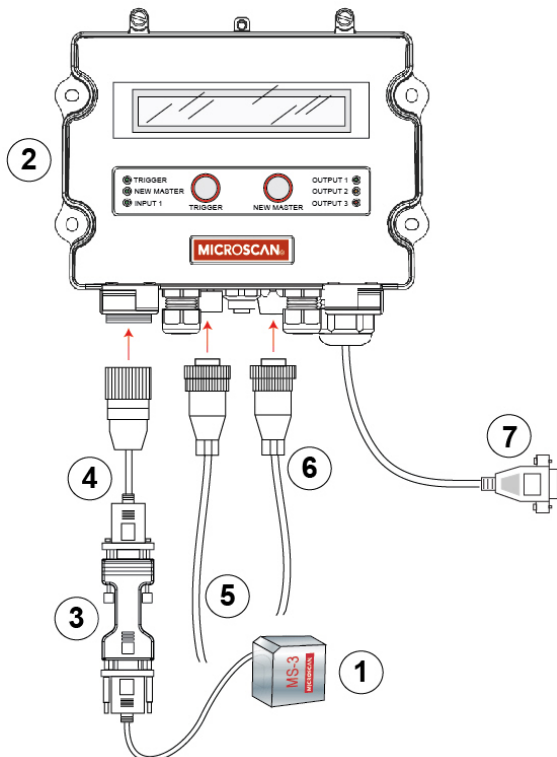
** Refer to page 8 for a complete listing of support agreement options.

Tech Reference MS-2

Stand Alone (5V)

with MS-Connect 210

This is the basic setup for a single MS-2 and MS-Connect 210.



System Matrix

Product	Reference No.	Description	Price
(1) MS-2 CCD Reader	FIS-0002-XXXXG	Reader Model	Varies
(2) MS-Connect 210	FIS-0210-000XG*	Connectivity Box	Varies
(3) IC-332	FIS-0001-0035G	Converts the Voltage Level to 10-28 for the MS-2	\$150
(4) Reader Cable	61-000127-02	Cable, MS-2 to MS-Connect 210, 6 ft	\$100
(5) Power Supply	97-100004-15	Power Supply, 90-264 VAC, 24VDC USA /Euro Plug	\$125
(6) Object Detector	99-000017-02	Photo Sensor, Visible, NPN, LIGHT ON	\$175
(7) Host Cable	61-000105-01**	Pre-stripped RS-232, 9-pin host cable	\$30
User's Manuals, ESP Software	37-000001-01***	CD ROM, User's Manuals, ESP Software	\$30

* See MS-Connect Series section for a complete listing of Accessories

** 1 free host cable is included with each MS-Connect 210

*** 1 free per order.

Prices and Specifications Subject to Change

\$100 Minimum Order

07-000001-01, Rev N

Confidential Document

Tel: 425.226.5700
Fax: 425.226.8250

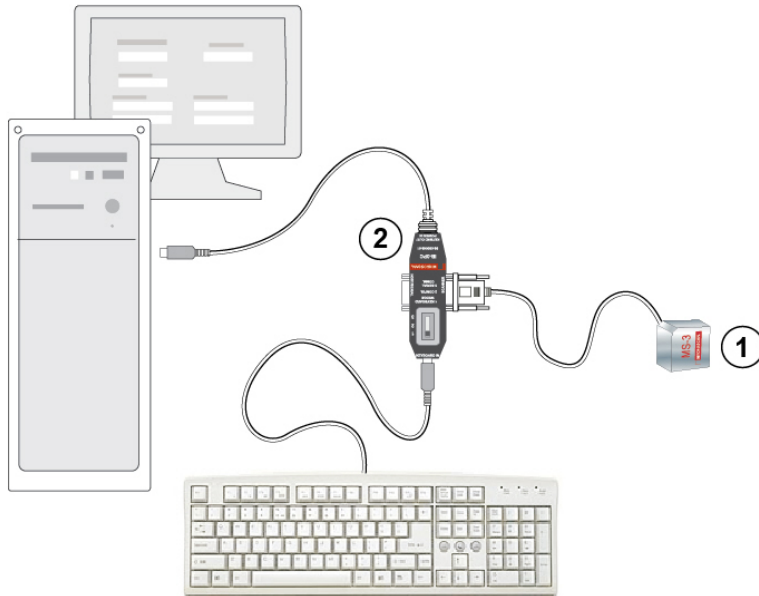
www.microscan.com

Page 13 of 106

Tech Reference **MS-2**

Keyboard Wedge

Allows the scanner to bypass RS-232 port and input data to a host via the keyboard line.



System Matrix

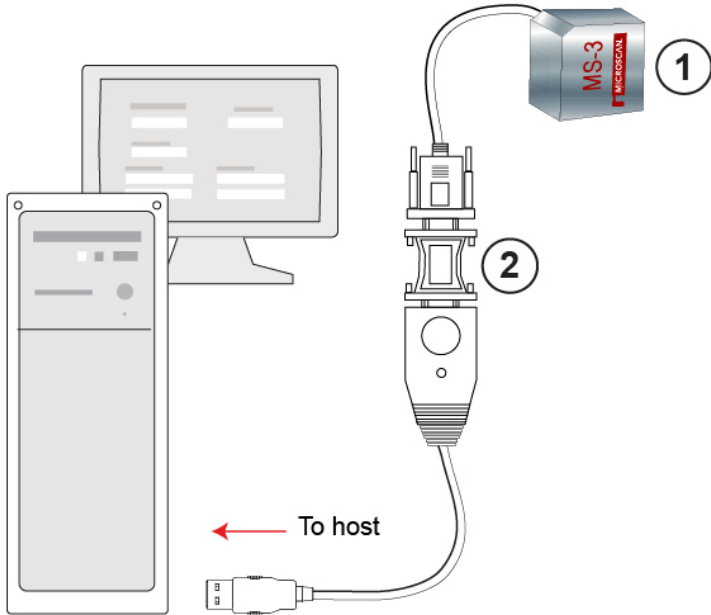
Product	Reference No.	Description	Price
(1) MS-2 CCD Reader	FIS-0002-XXXXG	Reader Model	Varies
(2) IB-3PC	FIS-0001-0030G	Keyboard Wedge/Interface Box	\$100
Mounting Arm/Adapter Kit	98-000048-01	4" (102mm) Mounting Kit	\$70
Mounting Plate	98-000054-01	Mounting Stand Base Plate, Small	\$30
User's Manuals, ESP Software	37-000001-01*	CD ROM, User's Manuals, ESP Software	\$30

* 1 free per order.

Tech Reference MS-2

USB

Allows the scanner to be powered and communicate via a USB port (virtual com port).



System Matrix

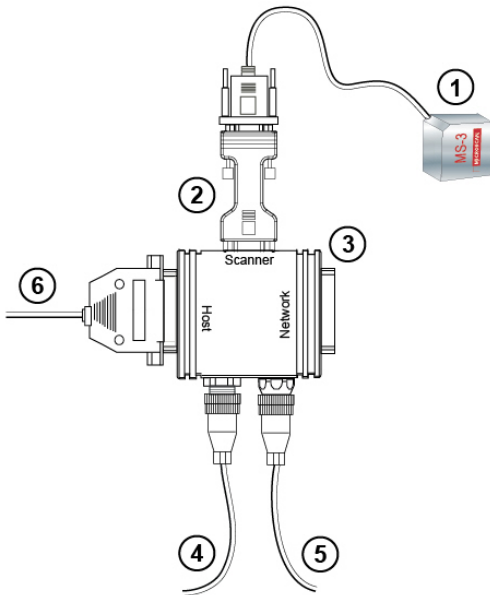
Product	Reference No.	Description	Price
(1) MS-2 CCD Reader	FIS-0002-XXXXG	Reader Model	Varies
(2) USB Conversion Kit	98-000051-01	Converts to USB Standard	\$75
Mounting Arm/Adapter Kit	98-000048-01	4" (102mm) Mounting Kit	\$70
Mounting Plate	98-000054-01	Mounting Stand Base Plate, Small	\$30
User's Manuals, ESP Software	37-000001-01*	CD ROM, User's Manuals, ESP Software	\$30

* 1 free per order.

Tech Reference **MS-2**

Stand Alone (10-28V)

This is the basic setup for a single MS-3.



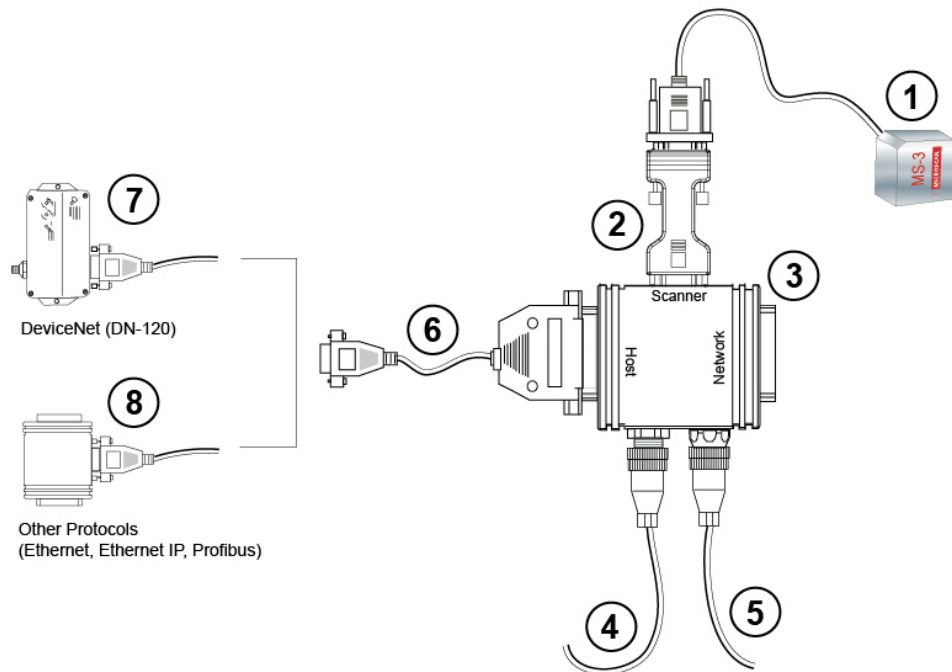
System Matrix

Product	Reference No.	Description	Price
(1) MS-2 CCD Reader	FIS-0002-XXXXG	Reader Model	Varies
(2) IC-332	FIS-0001-0035G	Adapts an MS-2 to an MS-9 Pinout, Converts the Voltage Level to 10-28, Allows Connection to IB-131	\$150
(3) IB-131	99-000018-01	Interface Box	\$150
(4) Power Supply	97-100004-15	Power Supply, 90-264 VAC, 24VDC USA /Euro Plug	\$125
(5) Object Detector (If applicable)	99-000017-01	Photo Sensor, Visible, NPN, DARK ON	\$175
(6) Communication Cable	61-300026-03	25-pin Plug to 9-pin Socket , 6 ft	\$30
Mounting Arm/Adapter Kit	98-000048-01	4" (102mm) Mounting Kit	\$70
Mounting Plate	98-000054-01	Mounting Stand Base Plate, Small	\$30
User's Manuals, ESP Software	37-000001-01*	CD ROM, User's Manuals, ESP Software	\$30

* 1 free per order.

Tech Reference **MS-2**

Optional Interface Protocols



System Matrix

Product	Reference No.	Description	Price
(1) MS-2 CCD Reader	FIS-0002-XXXXG	Reader Model	Varies
(2) IC-332	FIS-0001-0035G	Adapts an MS-2 to an MS-9 Pinout, Converts the Voltage Level to 10-28, Allows Connection to IB-131	\$150
(3) IB-131	99-000018-01	Interface Box	\$150
(4) Power Supply	97-100004-15	Power Supply, 90-264 VAC, 24VDC USA /Euro Plug	\$125
(5) Object Detector (If applicable)	99-000017-01	Photo Sensor, Visible, NPN, DARK ON	\$175
(6) Communication Cable	61-300026-03	25-pin Plug to 9-pin Socket , 6 ft	\$30
(7) DN-120	20-500013-01 ¹	DeviceNet Protocol Box	\$595
(8) Other Protocols (Ethernet, EtherNet/IP, Profibus)	Third Party	Ask your Microscan sales representative which solution is appropriate for your application.	Varies
Mounting Arm/Adapter Kit	98-000048-01	4" (102mm) Mounting Kit	\$70
Mounting Plate	98-000054-01	Mounting Stand Base Plate, Small	\$30
User's Manuals, ESP Software	37-000001-01*	CD ROM, User's Manuals, ESP Software	\$30

¹ Part is not RoHS compliant.

* 1 free per order.

Prices and Specifications Subject to Change

\$100 Minimum Order

Confidential Document

Tel: 425.226.5700
Fax: 425.226.8250

07-000001-01, Rev N

Page 17 of 106

www.microscan.com

MS-3 Series Scanners

Read Ranges *

Narrow Bar	Laser High Density*
3.3 mil (.084 mm)	2.3" to 2.6" (58 to 66 mm)
5 mil (.127 mm)	2.0" to 3.1" (51 to 79 mm)
7.5 mil (.191 mm)	1.7" to 3.7" (43 to 94 mm)
10 mil (.254 mm)	1.5" to 4.0" (38 to 102 mm)
Narrow Bar	Laser Low Density*
7.5 mil (.191 mm)	3.0" to 6.0" (76 to 152 mm)
10 mil (.254 mm)	2.0" to 7.0" (51 to 178 mm)
15 mil (.381 mm)	2.0" to 8.0" (51 to 203 mm)
20 mil (.508 mm)	2.0" to 10.0" (51 to 254 mm)

*Call for custom focus. For right-angle version, subtract ~0.6" (15mm) from Read Range.



Scanners MS-3 Standard

Part Number	Description	List Price
FIS-0003-0001G	Laser, Single Line, Low Density	\$1,043
FIS-0003-0002G	Laser, Single Line, High Density	\$1,043
FIS-0003-0003G	Laser, Raster, Low Density	\$1,096
FIS-0003-0004G	Laser, Raster, High Density	\$1,096
FIS-0003-0005G	Laser, Single Line, Low Density, Right Angle	\$1,148
FIS-0003-0006G	Laser, Single Line, High Density, Right Angle	\$1,148
FIS-0003-0007G	Laser, Raster, Low Density, Right Angle	\$1,201
FIS-0003-0008G	Laser, Raster, High Density, Right Angle	\$1,201
FIS-0003-0009G	Laser, Single Line, Low Density, 6" Cable	\$1,043
FIS-0003-0010G	Laser, Single Line, High Density, 6" Cable	\$1,043
FIS-0003-0011G	Laser, Raster, Low Density, 6" Cable	\$1,096
FIS-0003-0012G	Laser, Raster, High Density, 6" Cable	\$1,096
FIS-0003-0013G	Laser, Single Line, Low Density, Right Angle, 6" Cable	\$1,148
FIS-0003-0014G	Laser, Single Line, High Density, Right Angle, 6" Cable	\$1,148
FIS-0003-0015G	Laser, Raster, Low Density, Right Angle, 6" Cable	\$1,201
FIS-0003-0016G	Laser, Raster, High Density, Right Angle, 6" Cable	\$1,201
FIS-0003-0017G	Laser, Single Line, Low Density, PDF	\$1,148
FIS-0003-0018G	Laser, Single Line, High Density, PDF	\$1,148
FIS-0003-0019G	Laser, Raster, Low Density, PDF	\$1,201
FIS-0003-0020G	Laser, Raster, High Density, PDF	\$1,201
FIS-0003-0021G	Laser, Single Line, Low Density, Right Angle, PDF	\$1,253
FIS-0003-0022G	Laser, Single Line, High Density, Right Angle, PDF	\$1,253

MS-3 Series Scanners Continued

Scanners MS-3 Standard

Part Number	Description	List Price
FIS-0003-0023G	Laser, Raster, Low Density, Right Angle, PDF	\$1,306
FIS-0003-0024G	Laser, Raster, High Density, Right Angle, PDF	\$1,306
FIS-0003-0025G	Laser, Single Line, Low Density, 6" Cable, PDF	\$1,148
FIS-0003-0026G	Laser, Single Line, High Density, 6" Cable, PDF	\$1,148
FIS-0003-0027G	Laser, Raster, Low Density, 6" Cable, PDF	\$1,201
FIS-0003-0028G	Laser, Raster, High Density, 6" Cable, PDF	\$1,201
FIS-0003-0029G	Laser, Single Line, Low Density, Right Angle, 6" Cable, PDF	\$1,253
FIS-0003-0030G	Laser, Single Line, High Density, Right Angle, 6" Cable, PDF	\$1,253
FIS-0003-0031G	Laser, Raster, Low Density, Right Angle, 6" Cable, PDF	\$1,306
FIS-0003-0032G	Laser, Raster, High Density, Right Angle, 6" Cable, PDF	\$1,306
FIS-0003-0033G	Laser, Single Line, Low Density, VS-310 Replacement	\$1,043
FIS-0003-0034G	Laser, Single Line, High Density, VS-310 Replacement	\$1,043
FIS-0003-0035G	Laser, Raster, Low Density, VS-310 Replacement	\$1,096
FIS-0003-0036G	Laser, Raster, High Density, VS-310 Replacement	\$1,096
FIS-0003-0037G	Laser, Single Line, Low Density, MS-610 Replacement	\$1,201
FIS-0003-0038G	Laser, Raster, Low Density, MS-610 Replacement	\$1,253
FIS-0003-0039G	Laser, Raster, Low Density, Keyence Replacement	\$1,253

Accessories

Part Number	Description	List Price
FIS-0210-0001G	MS-Connect 210, Connectivity Box with Display	\$595
FIS-0210-0002G	MS-Connect 210, Connectivity Box	\$395
FIS-0210-0003G	MS-Connect 210, Connectivity Box with Display and Ethernet	\$795
FIS-0210-0004G	MS-Connect 210, Connectivity Box with Ethernet	\$595
61-000127-02	Cable, MS-3 to MS-Connect 210, 6 ft	\$100
FIS-0001-0030G	IB-3PC Keyboard Wedge/Interface Box	\$100
98-000051-01	IC-3USB, USB Conversion Kit	\$75
FIS-0001-0035G	IC-332, Connects MS-3 to IB-131 (Note: replaces IC-331, FIS-0001-0029)	\$150
99-000018-01	IB-131, Interface Box	\$150
98-000039-02	Kit, IB-152, DB25 Plug Terminal Block, DB25 Gender Changer	\$125
61-300026-03	Cable, Communication, DB-25 Plug to DB-9 Socket, 6 ft	\$30
61-000010-02	Cable, Communication, DB-9 Socket to DB-9 Socket, 6 ft	\$30
61-000011-02	Cable, MS-820 to IB-131 (also use for MS-3, 4, 9, 710 and MINI Extension)	\$30
61-100029-03	Cable, IB-131 Daisy Chain, 1 ft	\$30
20-500013-01 ¹	DeviceNet Protocol Box	\$595

¹ Part is not RoHS compliant.

MS-3 Series Scanners Continued

Power Supplies

Part Number	Description	List Price
97-000002-01	Power Supply, 90-264 VAC,+5VDC, USA /Euro Plug (use with IB-3PC)	\$75
97-100004-15	Power Supply, 90-264 VAC,+24VDC USA /Euro Plug (only use with IC-332)	\$125

Mounting and Connectors

Part Number	Description	List Price
98-000048-01	Mounting Arm/Adapter Kit, 4 inch, MS-3	\$70
98-000054-01	Kit, Mounting Stand Base Plate, MS-3	\$30
98-000053-01	Extension Kit, 4 inch, MS-3	\$35
98-000053-02	Extension Kit, 3 inch, MS-3	\$35
98-000060-01	Kit, Bracket, Side Mount, MS-3	\$20
98-000059-01	Kit, Bracket, Angle Mount, MS-3	\$20
98-000057-01	Kit, Bracket, Through Hole Mount, MS-3	\$20
98-000058-02	Kit, Extended Right Angle Mirror, MS-3	\$50
98-000061-03	MS-3 to MS-520/MS-525, Bracket Conversion Kit	\$20
20-610024-01	Trigger Connector, 4-pin Plug	\$30
20-610020-01	Power Connector, 3-pin Socket	\$30

Package Detector/Sensor

Part Number	Description	List Price
99-000017-01	Photo Sensor, Visible, NPN, DARK ON	\$175
99-000017-02	Photo Sensor, Visible, NPN, LIGHT ON	\$175

Software/Manuals

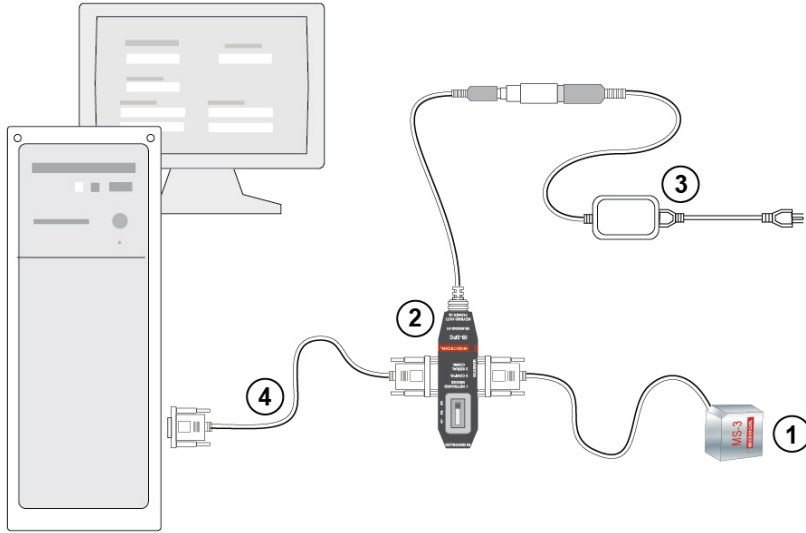
Part Number	Description	List Price
37-000001-01*	CD ROM, User's Manuals, ESP Software	\$30

* 1 free per order.

Tech Reference **MS-3**

Stand Alone (5V)

This is the basic setup for a single MS-3.



System Matrix

Product	Reference No.	Description	Price
(1) MS-3 Laser	FIS-0003-XXXXG	Scanner Model	Varies
(2) IB-3PC	FIS-0001-0030G	Keyboard Wedge/Interface Box	\$100
(3) Power Supply	97-000002-01	Power Supply, 90-264 VAC, +5VDC	\$75
(4) Communication Cable	61-000010-02	9-pin Socket to 9-pin Socket, 6 ft	\$30
Mounting Arm/Adapter Kit	98-000048-01	4" (102mm) Mounting Kit	\$70
Mounting Plate	98-000054-01	Mounting Stand Base Plate, Small	\$30
User's Manuals, ESP Software	37-000001-01*	CD ROM, User's Manuals, ESP Software	\$30
Support	COV-0003-NX**	24-hr Guarantee for Replacement Scanner/1 yr. Term	\$200

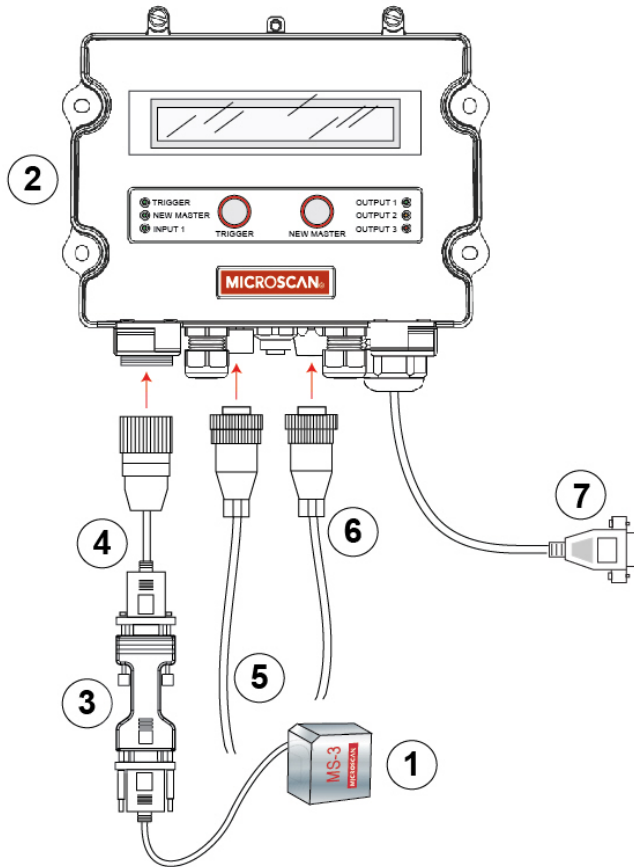
* 1 free per order.

** Refer to page 8 for a complete listing of support agreement options.

Tech Reference MS-3

Stand Alone (5V) with MS-Connect 210

This is the basic setup for a single MS-3 and MS-Connect 210.



System Matrix

Product	Reference No.	Description	Price
(1) MS-3 Laser	FIS-0003-XXXXG	Scanner Model	Varies
(2) MS-Connect 210	FIS-0210-000XG*	Connectivity Box	Varies
(3) IC-332	FIS-0001-0035G	Converts the Voltage Level to 10-28 for the MS-3	\$150
(4) Reader Cable	61-000127-02	Cable, MS-3 to MS-Connect 210, 6 ft	\$100
(5) Power Supply	97-100004-15	Power Supply, 90-264 VAC, 24VDC USA /Euro Plug	\$125
(6) Object Detector	99-000017-02	Photo Sensor, Visible, NPN, LIGHT ON	\$175
(7) Host Cable	61-000105-01**	Pre-stripped RS-232, 9-pin host cable	\$30
User's Manuals, ESP Software	37-000001-01***	CD ROM, User's Manuals, ESP Software	\$30
Support	COV-0003-NX****	24-hr Guarantee for Replacement Scanner/1 yr. Term	\$200

* See MS-Connect Series section for a complete listing of Accessories

** 1 free host cable is included with each MS-Connect 210

*** 1 free per order.

**** Refer to page 8 for a complete listing of support agreement options.

Prices and Specifications Subject to Change

\$100 Minimum Order

Confidential Document

Tel: 425.226.5700
Fax: 425.226.8250

07-000001-01, Rev N

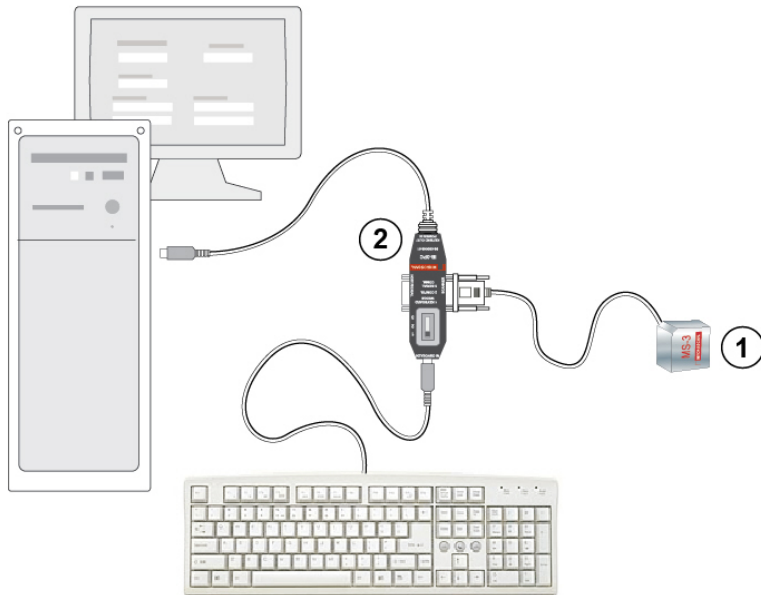
Page 22 of 106

www.microscan.com

Tech Reference **MS-3**

Keyboard Wedge

Allows the scanner to bypass RS-232 port and input data to a host via the keyboard line.



System Matrix

Product	Reference No.	Description	Price
(1) MS-3 Laser	FIS-0003-XXXXG	Scanner Model	Varies
(2) IB-3PC	FIS-0001-0030G	Keyboard Wedge/Interface Box	\$100
Mounting Arm/Adapter Kit	98-000048-01	4" (102mm) Mounting Kit	\$70
Mounting Plate	98-000054-01	Mounting Stand Base Plate, Small	\$30
User's Manuals, ESP Software	37-000001-01*	CD ROM, User's Manuals, ESP Software	\$30
Support	COV-0003-NX**	24-hr Guarantee for Replacement Scanner/1 yr. Term	\$200

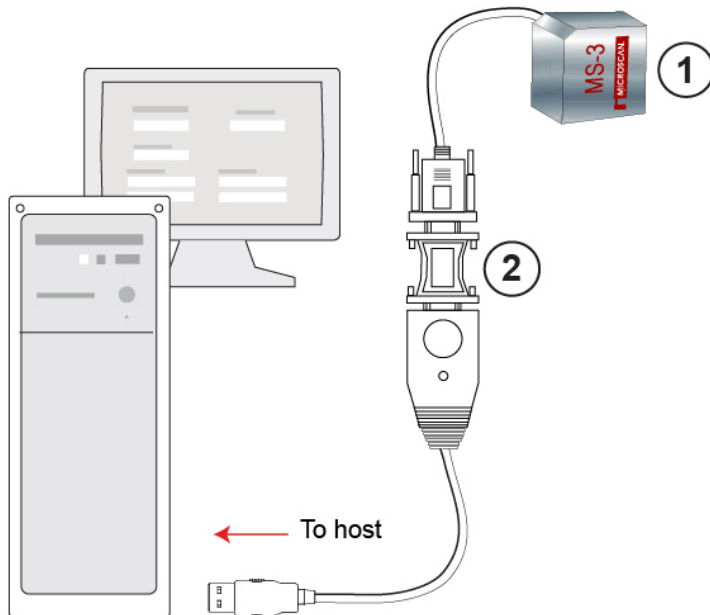
* 1 free per order.

** Refer to page 8 for a complete listing of support agreement options.

Tech Reference MS-3

USB

Allows the scanner to be powered and communicate via a USB port (virtual com port).



System Matrix

Product	Reference No.	Description	Price
(1) MS-3 Laser	FIS-0003-XXXXG	Scanner Model	Varies
(2) USB Conversion Kit	98-000051-01	Converts to USB Standard	\$75
Mounting Arm/Adapter Kit	98-000048-01	4" (102mm) Mounting Kit	\$70
Mounting Plate	98-000054-01	Mounting Stand Base Plate, Small	\$30
User's Manuals, ESP Software	37-000001-01*	CD ROM, User's Manuals, ESP Software	\$30
Support	COV-0003-NX**	24-hr Guarantee for Replacement Scanner/1 yr. Term	\$200

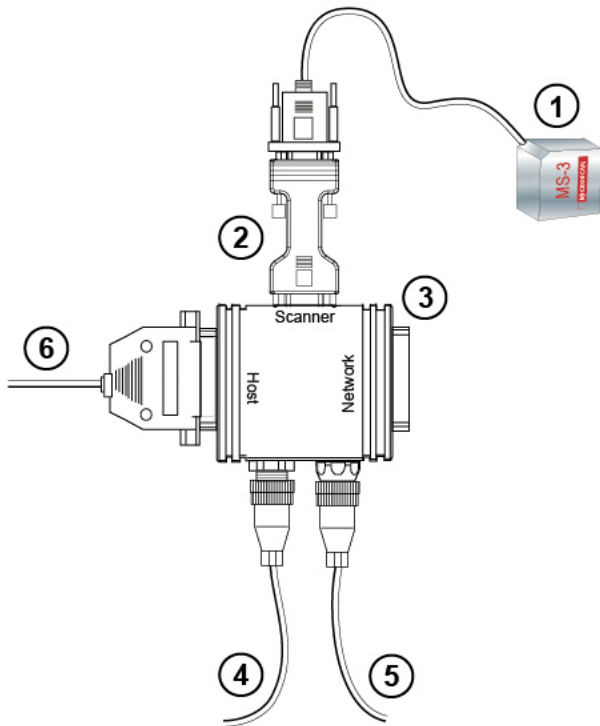
* 1 free per order.

** Refer to page 8 for a complete listing of support agreement options.

Tech Reference **MS-3**

Stand Alone (10-28V)

This is the basic setup for a single MS-3.



System Matrix

Product	Reference No.	Description	Price
(1) MS-3 Laser	FIS-0003-XXXXG	Scanner Model	Varies
(2) IC-332	FIS-0001-0035G	Adapts an MS-3 to an MS-9 Pinout, Converts the Voltage Level to 10-28, Allows Connection to IB-131	\$150
(3) IB-131	99-000018-01	Interface Box	\$150
(4) Power Supply	97-100004-15	Power Supply, 90-264 VAC, 24VDC USA /Euro Plug	\$125
(5) Object Detector (If applicable)	99-000017-01	Photo Sensor, Visible, NPN, DARK ON	\$175
(6) Communication Cable	61-300026-03	25-pin Plug to 9-pin Socket , 6 ft	\$30
Mounting Arm/Adapter Kit	98-000048-01	4" (102mm) Mounting Kit	\$70
Mounting Plate	98-000054-01	Mounting Stand Base Plate, Small	\$30
User's Manuals, ESP Software	37-000001-01*	CD ROM, User's Manuals, ESP Software	\$30
Support	COV-0003-NX**	24-hr Guarantee for Replacement Scanner/1 yr. Term	\$200

* 1 free per order.

** Refer to page 8 for a complete listing of support agreement options.

Prices and Specifications Subject to Change

\$100 Minimum Order

Confidential Document

Tel: 425.226.5700
Fax: 425.226.8250

07-000001-01, Rev N

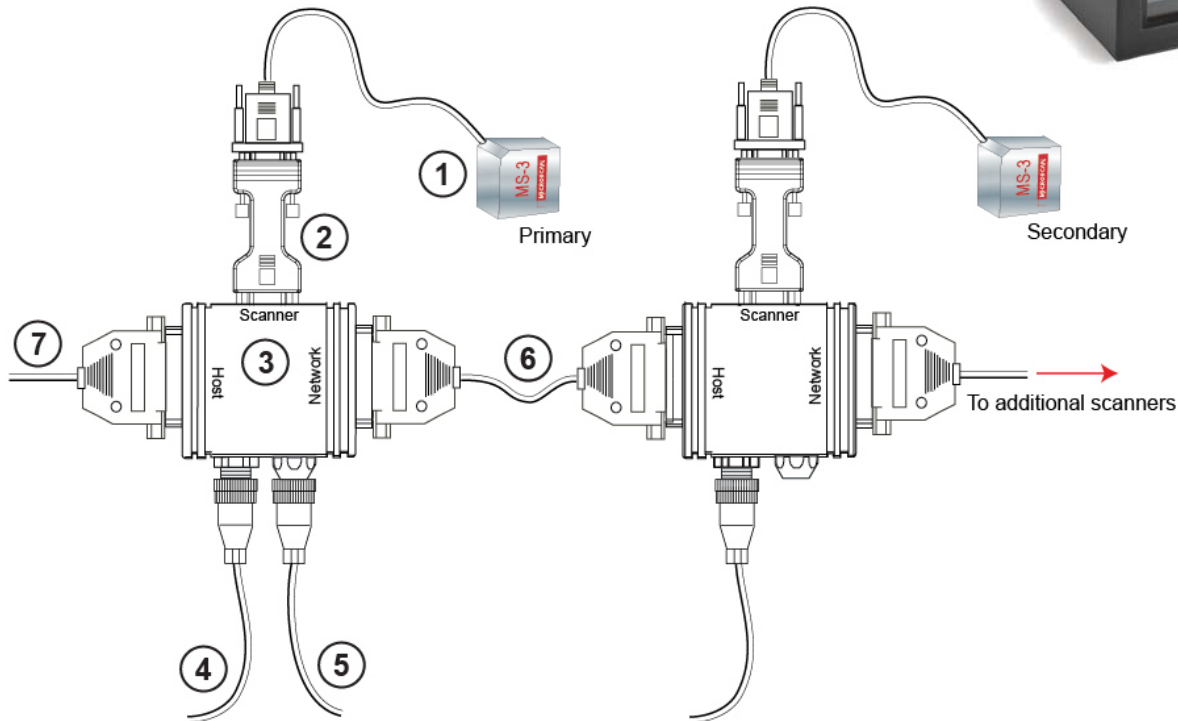
Page 25 of 106

www.microscan.com

Tech Reference **MS-3**

Daisy Chain

A primary scanner is linked directly to the host. Secondary scanners (up to 9) are linked in tandem. Data is sent from the primary scanner directly to the host.



System Matrix

Product	Reference No.	Description	Price
(1) MS-3 Laser	FIS-0003-XXXXG	Scanner Model	Varies
(2) IC-332	FIS-0001-0035G	Adapts an MS-3 to an MS-9 Pinout, Converts the Voltage Level to 10-28, Allows Connection to IB-131	\$150
(3) IB-131	99-000018-01	Interface Box	\$150
(4) Power Supply	97-100004-15	Power Supply, 90-264 VAC, 24VDC USA /Euro Plug	\$125
(5) Object Detector (If applicable)	99-000017-01	Photo Sensor, Visible, NPN, DARK ON	\$175
(6) Daisy Chain Trunk Cable	61-100029-03	IB-131 to IB-131, 1 ft (0.3 meters)	\$30
(7) Comm. Cable	61-300026-03	25-pin Plug to 9-pin Socket, 6 ft	\$30
Mounting Arm/Adapter Kit	98-000048-01	4" (102mm) Mounting Kit	\$70
Mounting Plate	98-000054-01	Mounting Stand Base Plate, Small	\$30
User's Manuals, ESP Software	37-000001-01*	CD ROM, User's Manuals, ESP Software	\$30
Support	COV-0003-NX**	24-hr Guarantee for Replacement Scanner/1 yr. Term	\$200

* 1 free per order.

** Refer to page 8 for a complete listing of support agreement options.

Prices and Specifications Subject to Change

\$100 Minimum Order

Confidential Document

Tel: 425.226.5700
Fax: 425.226.8250

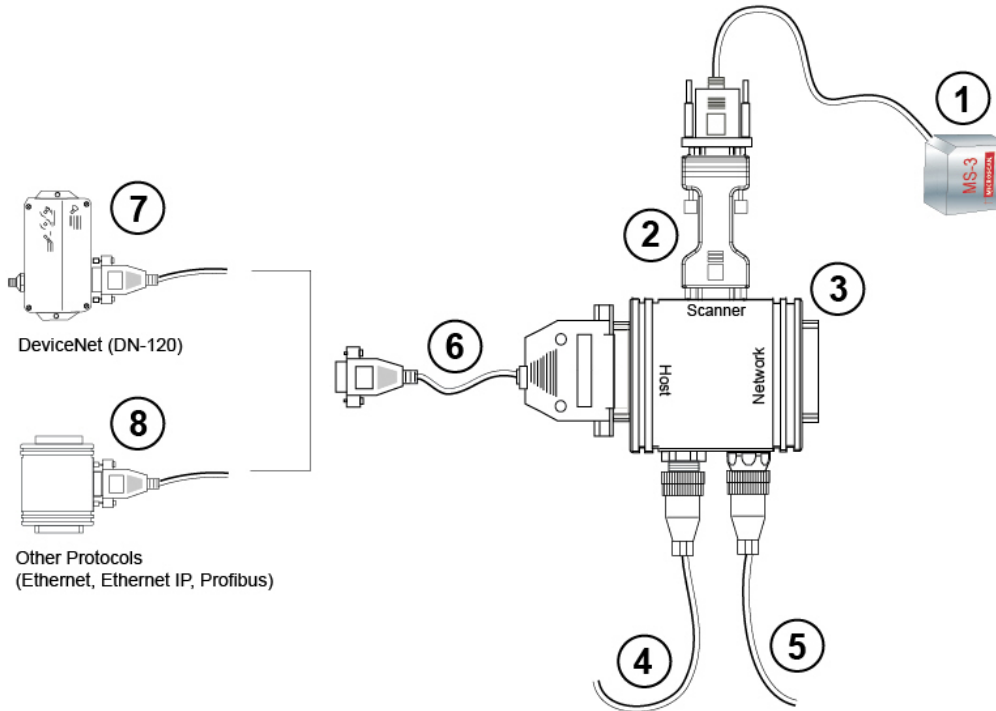
07-000001-01, Rev N

Page 26 of 106

www.microscan.com

Tech Reference MS-3

Optional Interface Protocols



System Matrix

Product	Reference No.	Description	Price
(1) MS-3 Laser	FIS-0003-XXXXG	Scanner Model	Varies
(2) IC-332	FIS-0001-0035G	Adapts an MS-3 to an MS-9 Pinout, Converts the Voltage Level to 10-28, Allows Connection to IB-131	\$150
(3) IB-131	99-000018-01	Interface Box	\$150
(4) Power Supply	97-100004-15	Power Supply, 90-264 VAC, 24VDC USA /Euro Plug	\$125
(5) Object Detector (If applicable)	99-000017-01	Photo Sensor, Visible, NPN, DARK ON	\$175
(6) Communication Cable	61-300026-03	25-pin Plug to 9-pin Socket , 6 ft	\$30
(7) DN-120	20-500013-01 ¹	DeviceNet Protocol Box	\$595
(8) Other Protocols (Ethernet, EtherNet/IP, Profibus)	Third Party	Ask your Microscan sales representative which solution is appropriate for your application.	Varies
Mounting Arm/Adapter Kit	98-000048-01	4" (102mm) Mounting Kit	\$70
Mounting Plate	98-000054-01	Mounting Stand Base Plate, Small	\$30
User's Manuals, ESP Software	37-000001-01*	CD ROM, User's Manuals, ESP Software	\$30
Support	COV-0003-NX**	24-hr Guarantee for Replacement Scanner/1 yr. Term	\$200

¹ Part is not RoHS compliant.

* 1 free per order.

** Refer to page 8 for a complete listing of support agreement options.

MS-4 Imager



Narrow-bar-width		Field of View (maximum)	Read Range
1D	2D		
Standard Density			
0.0075 " (0.19 mm)	0.010 " (0.25 mm)	2.4 " (61 mm)	2.0 " to 4.0 " (51 mm to 102 mm)
0.010 " (0.25 mm)	0.015 " (0.38 mm)	2.6 " (66 mm)	1.7 " to 4.7 " (43 mm to 119 mm)
0.015 " (0.38 mm)	0.020 " (0.51 mm)	2.8 " (71 mm)	1.4 " to 5.2 " (36 mm to 132 mm)
Low Density			
0.010 " (0.25 mm)	0.015 " (0.38 mm)	4.2 " (107 mm)	3.5 " to 4.5 " (89 mm to 114 mm)
0.015 " (0.38 mm)	0.020 " (0.51 mm)	4.5 " (114 mm)	2.7 " to 5.0 " (69 mm to 127 mm)
0.020 " (0.51 mm)	0.030 " (0.76 mm)	5.5 " (140 mm)	2.0 " to 6.0 " (51 mm to 152 mm)

Imagers MS-4

Part Number	Description	List Price
FIS-0004-0001G	Imager, Standard Density, RS-232, 5VDC	\$1,148
FIS-0004-0002G	Imager, Low Density, RS-232, 5VDC	\$1,148
FIS-0004-0003G	Imager, Standard Density, USB*	\$1,148
FIS-0004-0004G	Imager, Low Density, USB*	\$1,148

* Cable terminated with USB type A connector.

Accessories

Part Number	Description	List Price
FIS-0210-0001G	MS-Connect 210, Connectivity Box with Display	\$595
FIS-0210-0002G	MS-Connect 210, Connectivity Box	\$395
FIS-0210-0003G	MS-Connect 210, Connectivity Box with Display and Ethernet	\$795
FIS-0210-0004G	MS-Connect 210, Connectivity Box with Ethernet	\$595
61-000127-02	Reader Cable MS-4 to MS-Connect 210, 6 ft	\$100
FIS-0001-0030G	IB-3PC Keyboard Wedge/Interface Box	\$100
FIS-0001-0035G	IC-332, Connects MS-4 to IB-131 (Note: replaces IC-331, FIS-0001-0029)	\$150
99-000018-01	IB-131, Interface Box	\$150
98-000039-02*	Kit, IB-152, DB25 Plug Terminal Block, DB25 Gender Changer	\$125
61-300026-03	Cable, Communication, DB-25 Plug to DB-9 Socket, 6 ft	\$30
61-100029-03	Cable, IB-131 Daisy Chain, 1 ft	\$30
61-000010-02	Cable, Communication, DB-9 Socket to DB-9 Socket, 6 ft	\$30
20-500013-01	DeviceNet Protocol Box*	\$595
61-000011-02	Cable, MS-820 to IB-131 (also use for MS-3, 4, 9, 710 and MINI Extension)	\$30

*Part is not RoHS compliant.

Power Supplies

Part Number	Description	List Price
97-000002-01	Power Supply, 90-264 VAC, +5VDC, USA/Euro Plug (use with IB-3PC)	\$75
97-100004-15	Power Supply, 90-264 VAC, +24VDC, USA /Euro Plug (Only use with IC-332)	\$125

Prices and Specifications Subject to Change

\$100 Minimum Order

Confidential Document

Tel: 425.226.5700
Fax: 425.226.8250

07-000001-01, Rev N

Page 28 of 106

www.microscan.com

MS-4 Imager Continued

Mounting and Connectors

Part Number	Description	List Price
98-000048-01	Mounting Arm/Adapter Kit, 4 inch, MS-4	\$70
98-000054-01	Kit, Mounting Stand Base Plate, MS-4	\$30
98-000053-01	Extension Kit, 4 inch, MS-4	\$35
98-000053-02	Extension Kit, 3 inch, MS-4	\$35
98-000060-01	Kit, Bracket, Side Mount, MS-4	\$20
98-000059-01	Kit, Bracket, Angle Mount, MS-4	\$20
98-000057-01	Kit, Bracket, Through Hole Mount, MS-4	\$20
98-000088-01	Kit, Right Angle Mirror, MS-4	\$50
20-610024-01	Trigger Connector, 4-pin Plug	\$30
20-610020-01	Power Connector, 3-pin Socket	\$30

Package Detector/Sensor

Part Number	Description	List Price
99-000017-01	Photo Sensor, Visible, NPN, DARK ON	\$175
99-000017-02	Photo Sensor, Visible, NPN, LIGHT ON	\$175

Software/Manuals

Part Number	Description	List Price
37-000001-01*	CD ROM, User's Manuals, ESP Software	\$30
37-000003-01**	CD ROM, EZ Trax Software	\$500

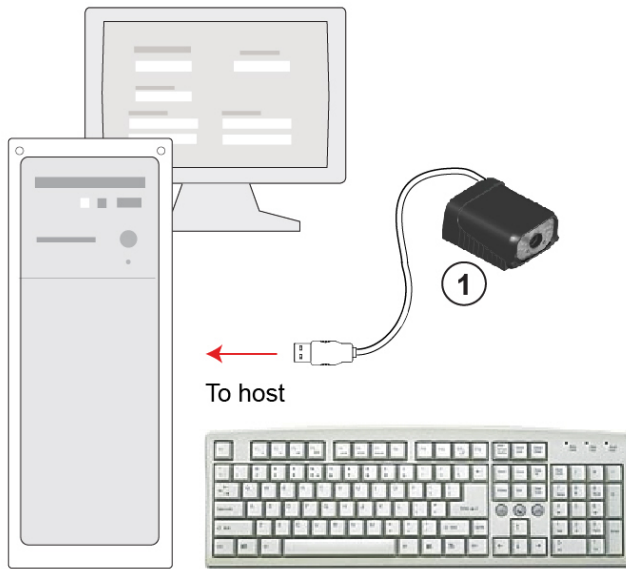
* 1 free per order.

** EZ Trax is an accessory.

Tech Reference MS-4

USB

This is the basic setup for a single USB MS-4.



System Matrix

Product	Reference No.	Description	Price
(1) MS-4 USB	FIS-0004-XXXXG	Imager Model	Varies
Mounting Arm/Adapter Kit	98-000048-01	4" (102mm) Mounting Kit	\$70
Mounting Plate	98-000054-01	Mounting Stand Base Plate, Small	\$30
EZ Trax Software	37-000003-01	Image Capture and Storage Software	\$500
User's Manuals, ESP Software	37-000001-01*	CD ROM, User's Manuals, ESP Software	\$30
Support	COV-0004-NX**	24-hr Guarantee for Replacement Imager/1 yr. Term	\$200

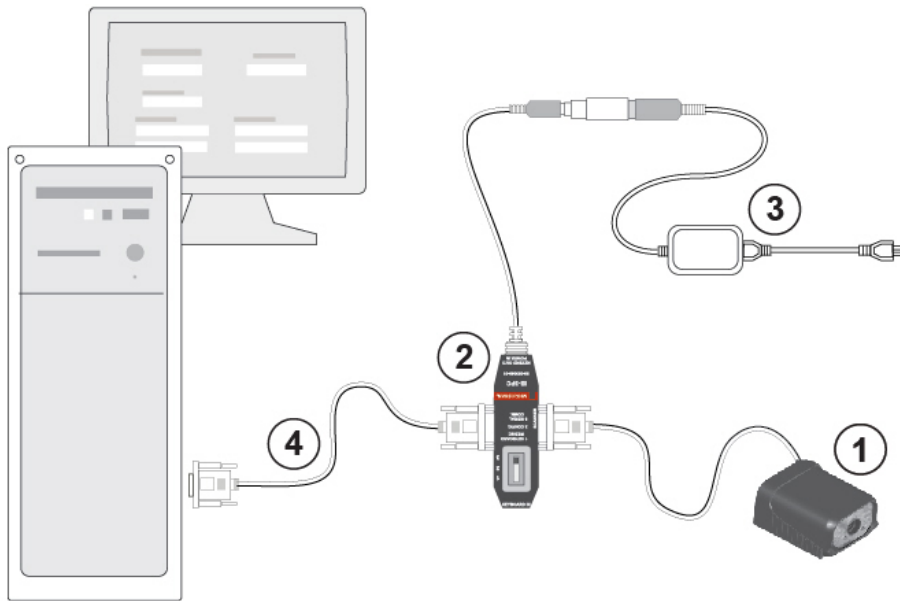
* 1 free per order.

** Refer to page 8 for a complete listing of support agreement options.

Tech Reference *MS-4*

Stand Alone (5V)

This is the basic setup for a single MS-4.



System Matrix

Product	Reference No.	Description	Price
(1) MS-4	FIS-0004-XXXXG	Imager Model	Varies
(2) IB-3PC	FIS-0001-0030G	Keyboard Wedge/Interface Box	\$100
(3) Power Supply	97-000002-01	Power Supply, 90-264 VAC, +5VDC	\$75
(4) Communication Cable	61-000010-02	9-pin Socket to 9-pin Socket, 6 ft	\$30
Mounting Arm/Adapter Kit	98-000048-01	4" (102mm) Mounting Kit	\$70
Mounting Plate	98-000054-01	Mounting Stand Base Plate, Small	\$30
EZ Trax Software	37-000003-01	Image Capture and Storage Software	\$500
User's Manuals, ESP Software	37-000001-01*	CD ROM, User's Manuals, ESP Software	\$30
Support	COV-0004-NX**	24-hr Guarantee for Replacement Imager/1 yr. Term	\$200

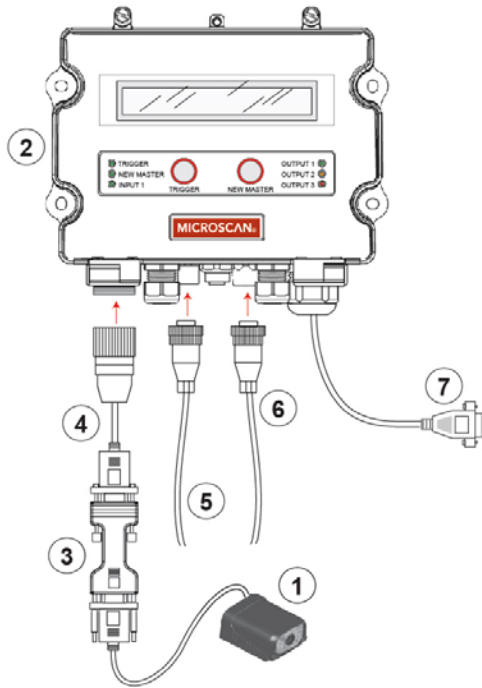
* 1 free per order.

** Refer to page 8 for a complete listing of support agreement options.

Tech Reference MS-4

Stand Alone (5V) with MS-Connect 210

This is the basic setup for a single MS-4 and MS-Connect 210.



System Matrix

Product	Reference No.	Description	Price
(1) MS-4	FIS-0004-XXXXG	Imager Model	Varies
(2) MS-Connect 210	FIS-0210-000XG*	Connectivity Box	Varies
(3) IC-332	FIS-0001-0035G	Converts the Voltage Level to 10-28 for the MS-3	\$150
(4) Reader Cable	61-000127-02	Cable, MS-4 to MS-Connect 210, 6 ft	\$100
(5) Power Supply	97-100004-15	Power Supply, 90-264 VAC, 24VDC USA /Euro Plug	\$125
(6) Object Detector	99-000017-02	Photo Sensor, Visible, NPN, LIGHT ON	\$175
(7) Host Cable	61-000105-01**	Pre-stripped RS-232, 9-pin host cable	\$30
User's Manuals, ESP Software	37-000001-01***	CD ROM, User's Manuals, ESP Software	\$30
Support	COV-0004-NX****	24-hr Guarantee for Replacement Scanner/1 yr. Term	\$200

* See MS-Connect Series section for a complete listing of Accessories

** 1 free host cable is included with each MS-Connect 210

*** 1 free per order.

**** Refer to page 8 for a complete listing of support agreement options

Prices and Specifications Subject to Change

\$100 Minimum Order

Confidential Document

Tel: 425.226.5700
Fax: 425.226.8250

07-000001-01, Rev N

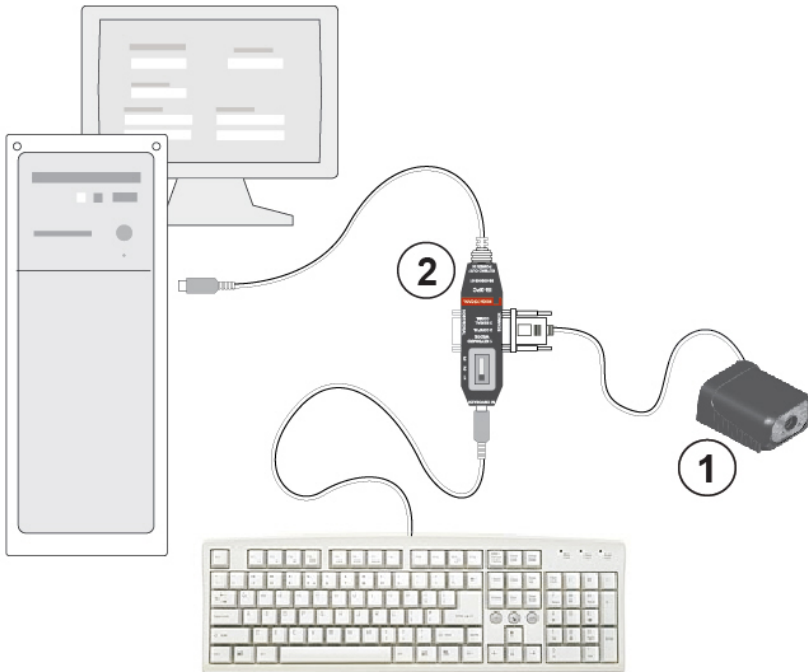
Page 32 of 106

www.microscan.com

Tech Reference *MS-4*

Keyboard Wedge

Allows the imager to bypass RS-232 port and input data to a host via the keyboard line.



System Matrix

Product	Reference No.	Description	Price
(1) MS-4	FIS-0004-XXXXG	Imager Model	Varies
(2) IB-3PC	FIS-0001-0030G	Keyboard Wedge/Interface Box	\$100
Mounting Arm/Adapter Kit	98-000048-01	4" (102mm) Mounting Kit	\$70
Mounting Plate	98-000054-01	Mounting Stand Base Plate, Small	\$30
EZ Trax Software	37-000003-01	Image Capture and Storage Software	\$500
User's Manuals, ESP Software	37-000001-01*	CD ROM, User's Manuals, ESP Software	\$30
Support	COV-0004-NX***	24-hr Guarantee for Replacement Scanner/1 yr. Term	\$200

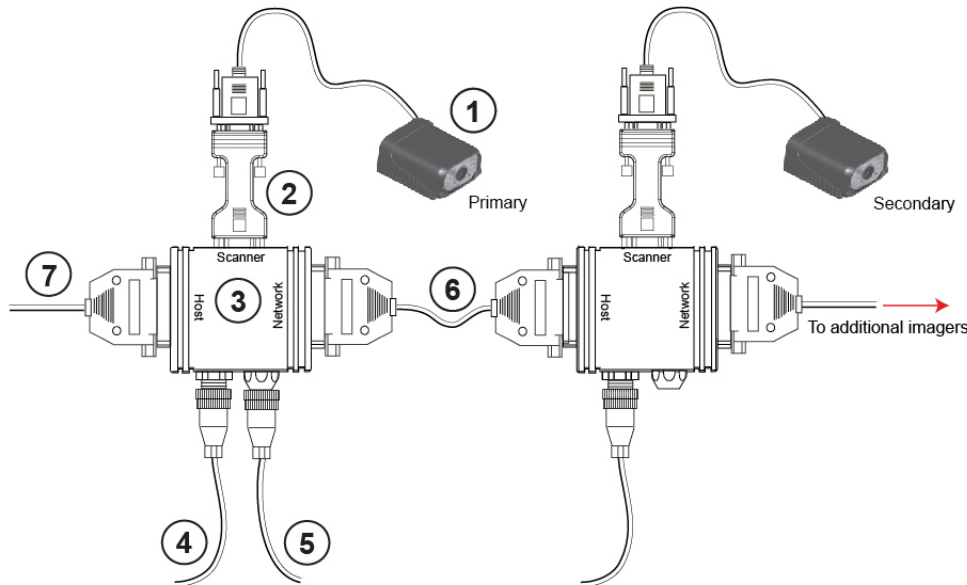
* 1 free per order.

** Refer to page 8 for a complete listing of support agreement options.

Tech Reference *MS-4*

Daisy Chain

A primary imager is linked directly to the host. Secondary imagers (up to 9) are linked in tandem. Data is sent from the primary imager directly to the host.



System Matrix

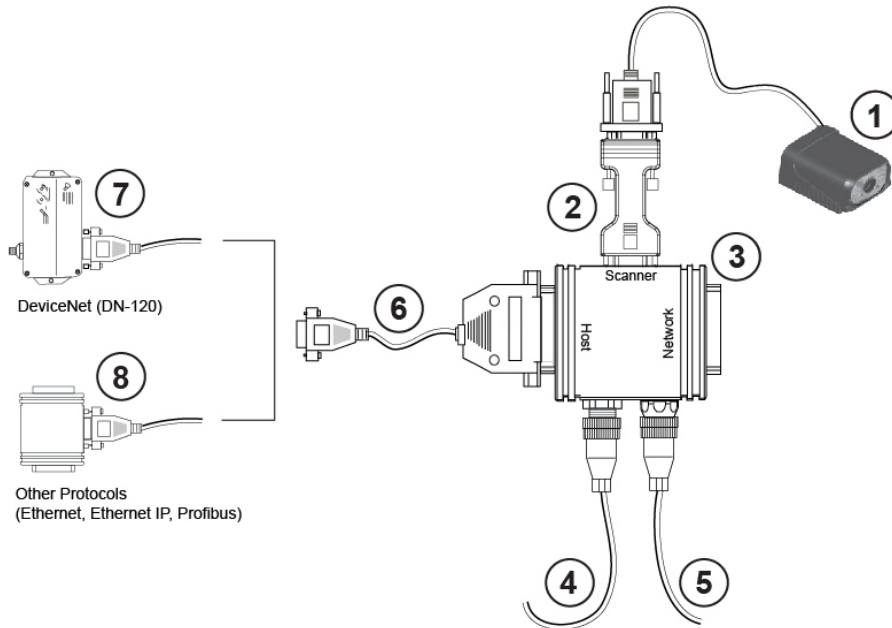
Product	Reference No.	Description	Price
(1) MS-4	FIS-0004-XXXXG	Imager Models	Varies
(2) IC-332	FIS-0001-0035G	Adapts an MS-4 to an MS-9 Pinout, Converts the Voltage Level to 10-28, Allows Connection to IB-131	\$150
(3) IB-131	99-000018-01	Interface Box	\$150
(4) Power Supply	97-100004-15	Power Supply, 90-264 VAC, 24VDC USA /Euro Plug	\$125
(5) Object Detector (If applicable)	99-000017-01	Photo Sensor, Visible, NPN, DARK ON	\$175
(6) Daisy Chain Trunk Cable	61-100029-03	IB-131 to IB-131, 1 ft (0.3 meters)	\$30
(7) Comm. Cable	61-300026-03	25-pin Plug to 9-pin Socket , 6 ft	\$30
Mounting Arm/Adapter Kit	98-000048-01	4" (102mm) Mounting Kit	\$70
Mounting Plate	98-000054-01	Mounting Stand Base Plate, Small	\$30
EZ Trax Software	37-000003-01	Image Capture and Storage Software	\$500
User's Manuals, ESP Software	37-000001-01*	CD ROM, User's Manuals, ESP Software	\$30
Support	COV-0004-NX**	24-hr Guarantee for Replacement Imager/1 yr. Term	\$200

* 1 free per order.

** Refer to page 8 for a complete listing of support agreement options.

Tech Reference MS-4

Optional Interface Protocols



System Matrix

Product	Reference No.	Description	Price
(1) MS-4	FIS-0004-XXXXG	Imager Model	Varies
(2) IC-332	FIS-0001-0035G	Adapts an MS-4 to an MS-9 Pinout, Converts the Voltage Level to 10-28, Allows Connection to IB-131	\$150
(3) IB-131	99-000018-01	Interface Box	\$150
(4) Power Supply	97-100004-15	Power Supply, 90-264 VAC, 24VDC USA /Euro Plug	\$125
(5) Object Detector (If applicable)	99-000017-01	Photo Sensor, Visible, NPN, DARK ON	\$175
(6) Communication Cable	61-300026-03	25-pin Plug to 9-pin Socket, 6 ft	\$30
(7) DN-120	20-500013-01 ¹	DeviceNet Protocol Box	\$595
(8) Other Protocols (Ethernet, EtherNet/IP, Profibus)		Ask your Microscan sales representative which solution is appropriate for your application.	
Mounting Arm/Adapter Kit	98-000048-01	4" (102mm) Mounting Kit	\$70
Mounting Plate	98-000054-01	Mounting Stand Base Plate, Small	\$30
EZ Trax Software	37-000003-01	Image Capture and Storage Software	\$500
User's Manuals, ESP Software	37-000001-01**	CD ROM, User's Manuals, ESP Software	\$30
Support	COV-0004-NX***	24-hr Guarantee for Replacement Imager/1 yr. Term	\$200

¹ Part is not RoHS compliant.

* 1 free per order.

** Refer to page 8 for a complete listing of support agreement options.

MS-9 High Speed Scanner

Read Ranges *	
Narrow Bar	High Density
5 mil (.127 mm)	1.75" to 3.0" (44 to 76 mm)
7.5 mil (.191 mm)	1.5" to 4.0" (38 to 101 mm)
Narrow Bar	Low Density
7.5 mil (.191 mm)	2.0" to 5.0" (50 to 127 mm)
10 mil (.254 mm)	1.5" to 6.0" (38 to 152 mm)
15 mil (.381 mm)	1.0" to 7.0" (25 to 178 mm)
20 mil (.508 mm)	1.0" to 9.0" (25 to 230 mm)

* Call for custom focus.



Scanners *		
Part Number	Description	List Price
FIS-0911-0001G	Single Line, Low Density, RS-232/422/485, 10-28 VDC	\$1,777
FIS-0911-0002G	Single Line, High Density, RS-232/422/485, 10-28 VDC	\$1,777
FIS-0911-0003G	Single Line, OMR, Low Density, RS-232/422/485, 10-28 VDC	\$1,987
FIS-0911-0004G	Single Line, OMR, High Density, RS-232/422/485, 10-28 VDC	\$1,987
FIS-0911-0005G	Raster Line, Low Density, RS-232/422/485, 10-28 VDC	\$1,882
FIS-0911-0006G	Raster Line, High Density, RS-232/422/485, 10-28 VDC	\$1,882
FIS-0911-0007G	Single Line, Low Density, Pharmacode, RS-232/422/485, 10-28 VDC	\$1,777

* Scanner has a 3 ft cable terminated with a HD 15 Pin D-sub.

Accessories		
Part Number	Description	List Price
FIS-0210-0001G	MS-Connect 210, Connectivity Box with Display	\$595
FIS-0210-0002G	MS-Connect 210, Connectivity Box	\$395
FIS-0210-0003G	MS-Connect 210, Connectivity Box with Display and Ethernet	\$795
FIS-0210-0004G	MS-Connect 210, Connectivity Box with Ethernet	\$595
61-000127-02	Cable, MS-9 to MS-Connect 210, 6 ft	\$100
99-000018-01	IB-131 Interface Box	\$150
FIS-0001-0030G*	IB-3PC Keyboard Wedge/Interface Box	\$100
20-500013-01**	DeviceNet Protocol Box	\$595
98-000051-01*	USB Conversion Kit, IC-3USB	\$75
98-000039-02*	Kit, IB-152, DB25 Plug Terminal Block, DB25 Gender Changer	\$125
61-300026-03	Cable, Communication, DB-25 Plug to DB-9 Socket, 6 ft.	\$30
61-100029-03	Cable, IB-131 Daisy Chain, 1 ft	\$30
61-000011-02	Cable, MS-820 to IB-131 (also use for MS-3, 4, 9, 710 and MINI Extension)	\$30

* Works with IB-131.

** Works with IB-131; not RoHS compliant.

Prices and Specifications Subject to Change

\$100 Minimum Order

Confidential Document

Tel: 425.226.5700
Fax: 425.226.8250

07-000001-01, Rev N

Page 36 of 106

www.microscan.com

MS-9 High Speed Scanner Continued

Power Supply

Part Number	Description	List Price
97-100004-15	Power Supply, 90-264 VAC, 24VDC, USA /Euro Plug	\$125

Mounting and Connectors

Part Number	Description	List Price
98-200036-01	Right Angle Down Mirror	\$75
98-000092-01	Standard Flat Mounting Plate Kit, Custom Surfaces	\$20
20-610024-01	Trigger Connector, 4-pin Plug (for self wiring)	\$30
20-610020-01	Power Connector, 3-pin Socket (for self wiring)	\$30
98-000019-01	Mounting Arm/Adapter Kit, MS-9, 6 inch	\$90
98-000037-01	Extension Kit, All Scanners', 6 inch	\$55
98-000054-01	Kit, Mounting Stand Base Plate, Small	\$30

Package Detector/Sensor

Part Number	Description	List Price
99-000017-01	Photo Sensor, Visible, NPN, DARK ON	\$175
99-000017-02	Photo Sensor, Visible, NPN, LIGHT ON	\$175

Software/Manuals

Part Number	Description	List Price
37-000001-01*	CD ROM, User's Manuals, ESP Software	\$30

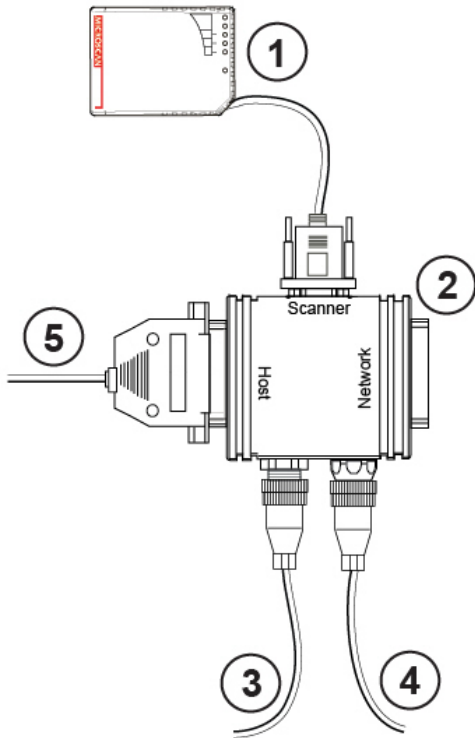
* 1 free per order.

Tech Reference MS-9



Stand Alone

This is the basic setup for a single MS-9.



System Matrix

Product	Reference No.	Description	Price
(1) MS-9	FIS-0911-XXXXG	Scanner Models	Varies
(2) IB-131	99-000018-01	Interface Module	\$150
(3) Power Supply	97-100004-15	Power Supply, 90-264 VAC, 24VDC USA /Euro Plug	\$125
(4) Object Detector (If applicable)	99-000017-01	Photo Sensor, Visible, NPN, DARK ON	\$175
(5) Communication Cable	61-300026-03	Connects Decoder to the PC (Host), 6 ft	\$30
Mounting Arm/Adapter Kit	98-000019-01	Adjustable, 6 inch Mounting Arm	\$90
Mounting Plate	98-000054-01	Mounting Stand Base Plate, Small	\$30
User's Manuals, ESP Software	37-000001-01*	CD ROM, User's Manuals, ESP Software	\$30
Support	COV-0911-NX**	24-hr Guarantee for Replacement Scanner/1yr. Term	\$300

* 1 free per order.

** Refer to page 8 for a complete listing of support agreement options.

Prices and Specifications Subject to Change

\$100 Minimum Order

Confidential Document

Tel: 425.226.5700
Fax: 425.226.8250

07-000001-01, Rev N

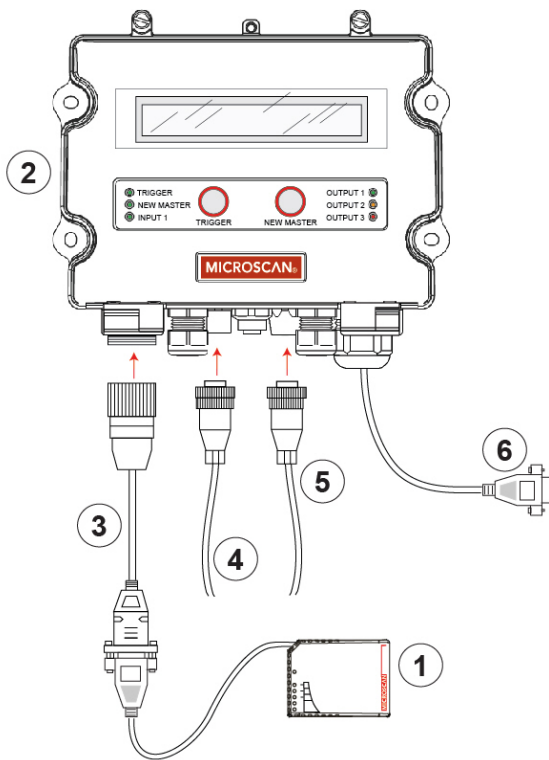
Page 38 of 106

www.microscan.com

Tech Reference MS-9

Stand Alone with MS-Connect 210

This is the basic setup for a single MS-9 and MS-Connect 210.



System Matrix

Product	Reference No.	Description	Price
(1) MS-9	FIS-0911-XXXXG	Scanner Models	Varies
(2) MS-Connect 210	FIS-0210-000XG*	Connectivity Box	Varies
(3) Reader Cable	61-000127-02	Cable, MS-9 to MS-Connect 210, 6 ft	\$100
(4) Power Supply	97-100004-15	Power Supply, 90-264 VAC, 24VDC USA /Euro Plug	\$125
(5) Object Detector	99-000017-02	Photo Sensor, Visible, NPN, LIGHT ON	\$175
(6) Host Cable	61-000105-01**	Pre-stripped RS-232, 9-pin host cable	\$30
User's Manuals, ESP Software	37-000001-01***	CD ROM, User's Manuals, ESP Software	\$30
Support	COV-0911-NX****	24-hr Guarantee for Replacement Scanner/1 yr. Term	\$300

* See MS-Connect Series section for a complete listing of Accessories

** 1 free host cable is included with each MS-Connect 210

*** 1 free per order.

**** Refer to page 8 for a complete listing of support agreement options

Prices and Specifications Subject to Change

\$100 Minimum Order

Confidential Document

Tel: 425.226.5700
Fax: 425.226.8250

07-000001-01, Rev N

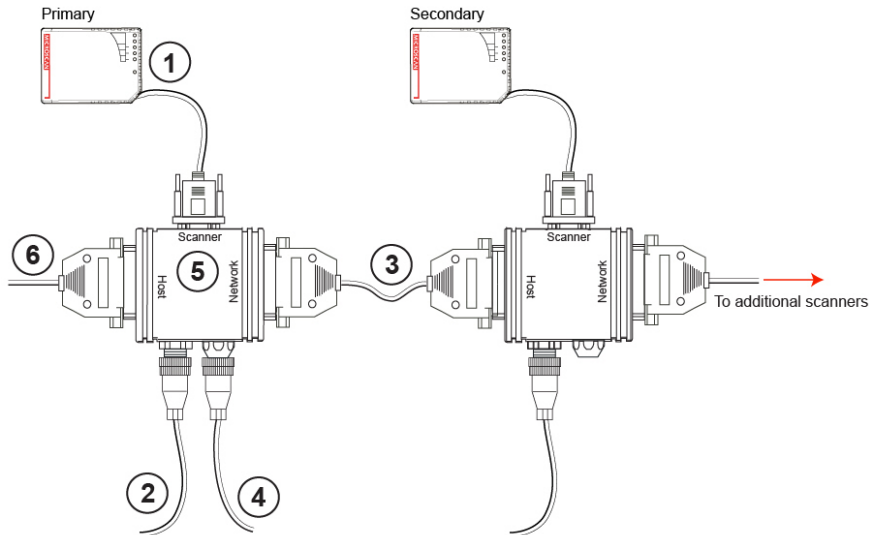
Page 39 of 106

www.microscan.com

Tech Reference *MS-9*

Daisy Chain

A primary scanner is linked directly to the host. Secondary scanners (up to 9) are linked in tandem. Data is sent from the primary scanner directly to the host.



System Matrix

Product	Reference No.	Description	Price
(1) MS-9	FIS-0911-XXXXG	Scanner Models	Varies
(2) Power Supply	97-100004-15	Power Supply, 90-264 VAC, 24VDC USA /Euro Plug	\$125
(3) Daisy Chain Trunk Cable	61-100029-03	Connects the IB-131 to IB-131, 1 ft	\$30
(4) Object Detector (If applicable)	99-000017-01	Photo Sensor, Visible, NPN, DARK ON	\$175
(5) IB-131	99-000018-01	Interface Module	\$150
(6) Communication Cable	61-300026-03	Connects IB-131 to the PC (Host), 6 ft	\$30
Mounting Arm/Adapter Kit	98-000019-01	Adjustable, 6 inch Mounting Arm	\$90
Mounting Plate	98-000054-01	Mounting Stand Base Plate, Small	\$30
User's Manuals, ESP Software	37-000001-01*	CD ROM, User's Manuals, ESP Software	\$30
Support	COV-0911-NX**	24-hr Guarantee for Replacement Scanner/1yr. Term	\$300

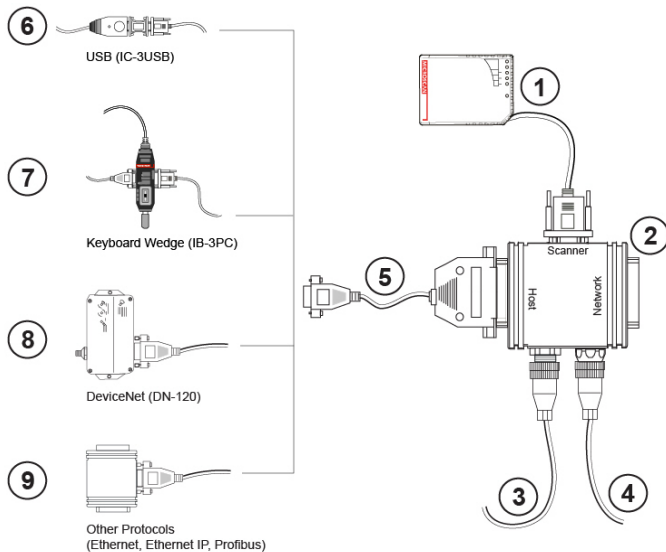
* 1 free per order.

** Refer to page 8 for a complete listing of support agreement options.

Tech Reference **MS-9**



Optional Interface Protocols



System Matrix

Product	Reference No.	Description	Price
(1) MS-9	FIS-0911-XXXXG	Scanner Models	Varies
(2) IB-131	99-000018-01	Interface Module	\$150
(3) Power Supply	97-100004-15	Power Supply, 90-264 VAC, 24VDC USA /Euro Plug	\$125
(4) Object Detector (If applicable)	99-000017-01	Photo Sensor, Visible, NPN, DARK ON	\$175
(5) Communication Cable	61-300026-03	Connects IB-131 to the PC (Host), 6 ft	\$30
(6) IC-3USB***	98-000051-01	USB Conversion Kit	\$75
(7) IB-3PC****	FIS-0001-0030G	Keyboard Wedge PC Interface	\$100
(8) DN-120	20-500013-01 ¹	DeviceNet Protocol Box	\$595
(9) Other Protocols (Ethernet, EtherNet/IP, Profibus)	Third Party	Ask your Microscan sales representative which solution is appropriate for your application.	Various
Mounting Arm/Adapter Kit	98-000019-01	Adjustable, 6 inch Mounting Arm	\$70
Mounting Plate	98-000054-01	Mounting Stand Base Plate, Small	\$30
User's Manuals, ESP Software	37-000001-01*	CD ROM, User's Manuals, ESP Software	\$30
Support	COV-0911-NX**	24-hr Guarantee for Replacement Scanner/1 yr. Term	\$200

* 1 free per order.

** Refer to page 8 for a complete listing of support agreement options.

***Pin Converter is not required for this configuration.

****Set the IB-3PC to **position 2** in this configuration.

¹ Part is not RoHS compliant.

Prices and Specifications Subject to Change

\$100 Minimum Order

Confidential Document

Tel: 425.226.5700
Fax: 425.226.8250

07-000001-01, Rev N

Page 41 of 106

www.microscan.com

MS-820 Industrial Scanner

Read Ranges *	
Narrow Bar	Near High Density
5 mil (.127 mm)	1.2" to 2.8" (31 to 71 mm)
7.5 mil (.191 mm)	1.2" to 3.8" (31 to 97 mm)
10 mil (.254 mm)	2.0" to 4.0" (51 to 102 mm)
15 mil (.381 mm)	2.0" to 4.0" (51 to 102 mm)
20 mil (.508 mm)	2.0" to 4.0" (51 to 102 mm)
Narrow Bar	High Density
5 mil (.127 mm)	4.0" to 5.5" (101 to 140 mm)
7.5 mil (.191 mm)	3.5" to 6.75" (89 to 171 mm)
10 mil (.254 mm)	3.25" to 8.0" (82 to 203 mm)
15 mil (.381 mm)	3.25" to 9.0" (82 to 228 mm)
Narrow Bar	Medium Density
7.5 mil (.191 mm)	2.0" to 5.2" (51 to 132 mm)
10 mil (.254 mm)	1.5" to 7.0" (38 to 178 mm)
15 mil (.381 mm)	1.5" to 8.5" (38 to 216 mm)
20 mil (.508 mm)	1.5" to 11" (38 to 280 mm)
30 mil (.762 mm)	1.0" to 12" (25 to 304 mm)
Narrow Bar	Low Density
7.5 mil (.191 mm)	10" to 12" (254 to 304 mm)
10 mil (.254 mm)	7.0" to 16" (177 to 406 mm)
15 mil (.381 mm)	6.0" to 19" (152 to 483 mm)
20 mil (.508 mm)	5.0" to 22" (127 to 558 mm)
30 mil (.762 mm)	4.0" to 26" (101 to 660 mm)
40 mil (1.02 mm)	4.0" to 30" (101 to 762 mm)

* Call for custom focus.



Scanners		
Part Number	Description	List Price
FIS-0820-0001G	Visible, Single Line, Low Density, RS-232/422/485, 10-28VDC	\$1,568
FIS-0820-0002G	Visible, Single Line, High Density, RS-232/422/485, 10-28VDC	\$1,568
FIS-0820-0003G	Visible, Raster Line, Low Density, RS-232/422/485, 10-28VDC	\$1,673
FIS-0820-0004G	Visible, Raster Line, High Density, RS-232/422/485, 10-28VDC	\$1,673
FIS-0820-0009G	Visible, Single Line, Medium Density, RS-232/422/485, 10-28VDC	\$1,568
FIS-0820-0010G	Visible, Raster, Medium Density, RS-232/422/485, 10-28VDC	\$1,673
FIS-0820-0011G	Visible, Single Line, Near High Density, RS-232/422/485, 10-28VDC	\$1,568
FIS-0820-0012G	Visible, Raster, Near High Density, RS-232/422/485, 10-28VDC	\$1,673
FIS-0820-0014G	Visible, Raster, Ultra High Density, RS-232/422/485, 10-28VDC	\$1,673
FIS-0820-0015G	Visible, Raster, Medium Density, Pharmacode	\$1,673
FIS-0825-0009G*	IR, Single Line, Medium Density, RS-232/422/485, 10-28VDC	\$1,568

* Read Ranges are equivalent to the MS-820 Medium Density Read Ranges.

MS-820 Industrial Scanner Continued

Accessories

Part Number	Description	List Price
FIS-0210-0001G	MS-Connect 210, Connectivity Box with Display	\$595
FIS-0210-0002G	MS-Connect 210, Connectivity Box	\$395
FIS-0210-0003G	MS-Connect 210, Connectivity Box with Display and Ethernet	\$795
FIS-0210-0004G	MS-Connect 210, Connectivity Box with Ethernet	\$595
61-000121-02	Cable, MS-820 to MS-Connect 210, 3 ft	\$100
98-000014-02	Kit, IB-131 Interface Box with MS-820 to IB-131 Cable	\$175
FIS-0001-0030G*	IB-3PC Keyboard Wedge/Interface Box	\$100
98-000039-02*	Kit, IB-152, DB25 Plug Terminal Block, DB25 Gender Changer	\$125
61-100029-03	Cable, IB-131 Daisy Chain, 1 ft.	\$30
61-300026-03	Cable, Communication, DB-25 Plug to DB-9 Socket, 6 ft	\$30
20-500013-01* ¹	DeviceNet Protocol Box	\$595
98-000051-01*	USB Conversion Kit, IC-3USB	\$75
61-000011-02	Cable, MS-820 to IB-131, 6 ft	\$30

* Works with IB-131. ¹ Part is not RoHS compliant.

Power Supply

Part Number	Description	List Price
97-100004-15	Power Supply, 90-264 VAC, 24VDC, USA /Euro Plug	\$125

Mounting and Connectors

Part Number	Description	List Price
98-500006-01*	Mounting Plate Kit, Flat, Custom Surfaces	\$20
98-200026-02	Right Angle Mirror Kit	\$75
20-610024-01	Trigger Connector, 4-pin Plug (for self wiring)	\$30
20-610020-01	Power Connector, 3-pin Socket (for self wiring)	\$30
98-000016-01	Mounting Arm/Adapter Kit, 820/860, 6 inch	\$90
98-000037-01	Extension Kit, All Scanners, 6 inch	\$55
98-000054-01	Kit, Mounting Stand Base Plate, Small	\$30

* Though-hole mounting plate; not for use with mounting arm.

Package Detector/Sensor

Part Number	Description	List Price
99-000017-01	Photo Sensor, Visible, NPN, DARK ON	\$175
99-000017-02	Photo Sensor, Visible, NPN, LIGHT ON	\$175

Software/Manuals

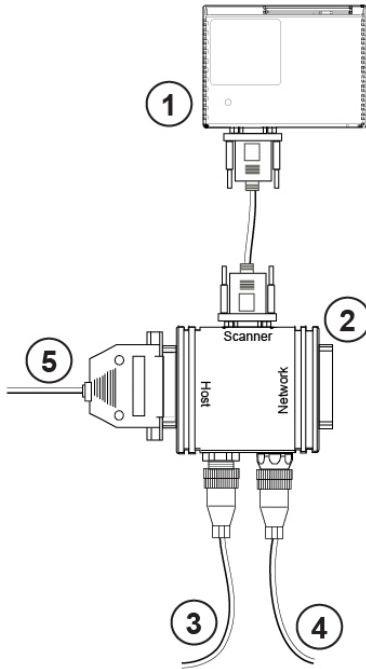
Part Number	Description	List Price
37-000001-01*	CD ROM, User's Manuals, ESP Software	\$30

* 1 free per order.

Tech Reference *MS-820*

Stand Alone

This is the basic setup for a single MS-820.



System Matrix

Product	Reference No.	Description	Price
(1) MS-820	FIS-0820-XXXXG	Scanner Models	Varies
(2) IB-131 Kit	98-000014-02	Interface Box and IB-131 Cable, 6 ft	\$175
(3) Power Supply	97-100004-15	Power Supply, 90-264 VAC, 24VDC USA /Euro Plug	\$125
(4) Object Detector (If applicable)	99-000017-01	Photo Sensor, Visible, NPN, DARK ON	\$175
(5) Communication Cable	61-300026-03	25pin D-sub Plug to 9pin D-sub Socket, 6 ft	\$30
Mounting Arm/Adapter Kit	98-000016-01	Adjustable, 6 inch Mounting Arm	\$90
Mounting Plate	98-000054-01	Mounting Stand Base Plate, Small	\$30
User's Manuals, ESP Software	37-000001-01*	CD ROM, User's Manuals, ESP Software	\$30
Support	COV-0820-NX**	24-hr Guarantee for Replacement Scanner/1yr. Term	\$300

* 1 free per order.

** Refer to page 8 for a complete listing of support agreement options.

Prices and Specifications Subject to Change

\$100 Minimum Order

Confidential Document

Tel: 425.226.5700
Fax: 425.226.8250

07-000001-01, Rev N

Page 44 of 106

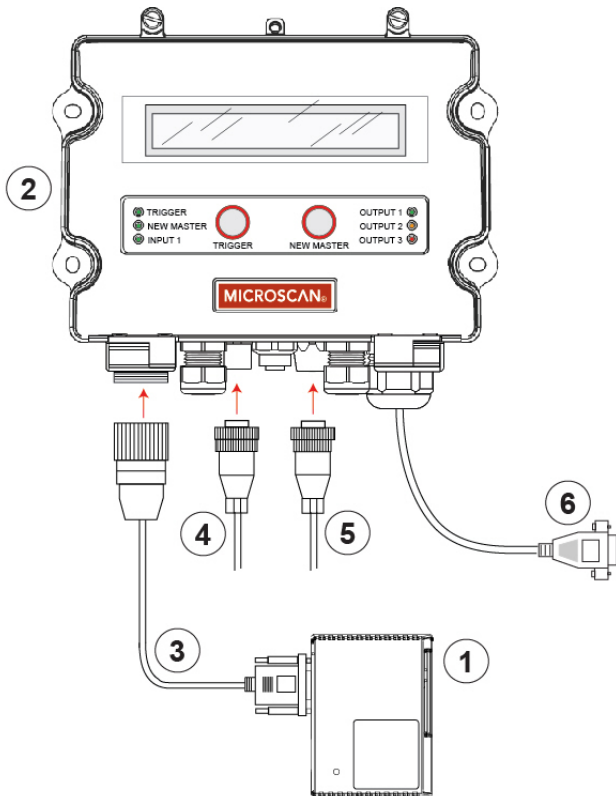
www.microscan.com

Tech Reference *MS-820*

Stand Alone

with MS-Connect 210

This is the basic setup for a single MS-820 and MS-Connect 210.



System Matrix

Product	Reference No.	Description	Price
(1) MS-820	FIS-0820-XXXXG	Scanner Models	Varies
(2) MS-Connect 210	FIS-0210-000XG*	Connectivity Box	Varies
(3) Reader Cable	61-000121-02	Cable, MS-820 to MS-Connect 210, 3 ft	\$100
(4) Power Supply	97-100004-15	Power Supply, 90-264 VAC, 24VDC USA /Euro Plug	\$125
(5) Object Detector	99-000017-02	Photo Sensor, Visible, NPN, LIGHT ON	\$175
(6) Host Cable	61-000105-01**	Pre-stripped RS-232, 9-pin host cable	\$30
User's Manuals, ESP Software	37-000001-01***	CD ROM, User's Manuals, ESP Software	\$30
Support	COV-0820-NX****	24-hr Guarantee for Replacement Scanner/1 yr. Term	\$300

* See MS-Connect Series section for a complete listing of Accessories

** 1 free host cable is included with each MS-Connect 210

*** 1 free per order.

**** Refer to page 8 for a complete listing of support agreement options

Prices and Specifications Subject to Change

\$100 Minimum Order

Confidential Document

Tel: 425.226.5700
Fax: 425.226.8250

07-000001-01, Rev N

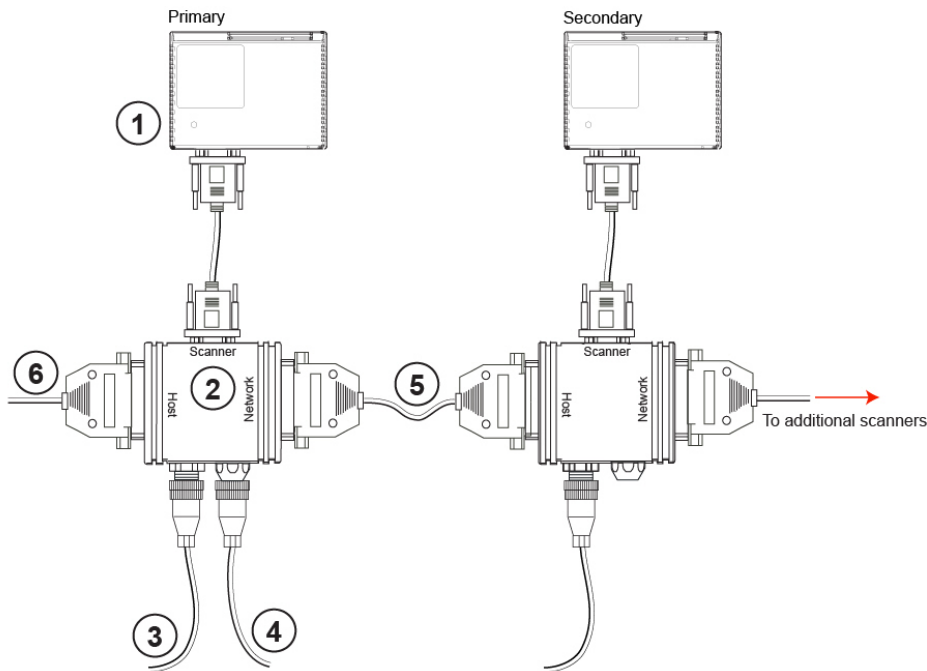
Page 45 of 106

www.microscan.com

Tech Reference *MS-820*

Daisy Chain

A primary scanner is linked directly to the host. Secondary scanners (up to 9) are linked in tandem. Data is sent from the primary scanner directly to the host.



System Matrix

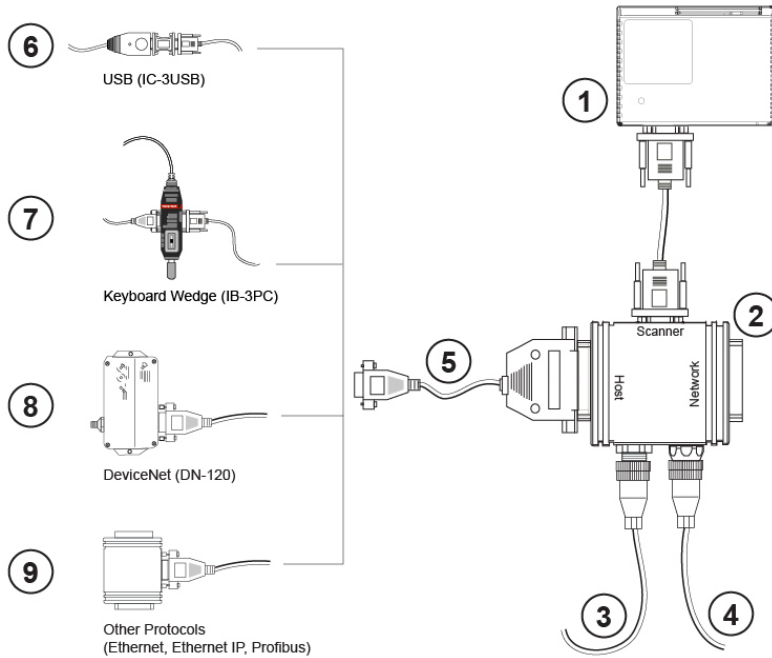
Product	Reference No.	Description	Price
(1) MS-820	FIS-0820-XXXXG	Scanner Models	Varies
(2) IB-131 Kit	98-000014-02	Interface Box and IB-131 Cable, 6 ft	\$175
(3) Power Supply	97-100004-15	Power Supply, 90-264 VAC, 24VDC USA /Euro Plug	\$125
(4) Object Detector (If applicable)	99-000017-01	Photo Sensor, Visible, NPN, DARK ON	\$175
(5) Daisy Chain trunk cable	61-100029-03	IB-131 to IB-131, 1 ft (0.3 meters)	\$30
(6) Communication Cable	61-300026-03	IB-131 to Host (PC), 6 ft	\$30
Mounting Arm/Adapter Kit	98-000016-01	Adjustable, 6 inch Mounting Arm	\$90
Mounting Plate	98-000054-01	Mounting Stand Base Plate, Small	\$30
User's Manuals, ESP Software	37-000001-01*	CD ROM, User's Manuals, ESP Software	\$30
Support	COV-0820-NX**	24-hr Guarantee for Replacement Scanner/1yr. Term	\$300

* 1 free per order.

** Refer to page 8 for a complete listing of support agreement options.

Tech Reference *MS-820*

Optional Interface Protocols



System Matrix

Product	Reference No.	Description	Price
(1) MS-820	FIS-0820-XXXXG	Scanner Models	Varies
(2) IB-131 Kit	98-000014-02	Interface Box and IB-131 Cable, 6 ft	\$175
(3) Power Supply	97-100004-15	Power Supply, 90-264 VAC, 24VDC USA /Euro Plug	\$125
(4) Object Detector (If applicable)	99-000017-01	Photo Sensor, Visible, NPN, DARK ON	\$175
(5) Communication Cable	61-300026-03	25pin D-sub Plug to 9pin D-sub Socket, 6 ft	\$30
(6) IC-3USB***	98-000051-01	USB Conversion Kit	\$75
(7) IB-3PC****	FIS-0001-0030G	Keyboard Wedge PC Interface	\$100
(8) DN-120	20-500013-01 ¹	DeviceNet Protocol Box	\$595
(9) Other Protocols (Ethernet, EtherNet/IP, Profibus)	Third Party	Ask your Microscan sales representative which solution is appropriate for your application.	Various
Mounting Arm/Adapter Kit	98-000016-01	Adjustable, 6 inch Mounting Arm	\$90
Mounting Plate	98-000054-01	Mounting Stand Base Plate, Small	\$30
User's Manuals, ESP Software	37-000001-01*	CD ROM, User's Manuals, ESP Software	\$30
Support	COV-0820-NX**	24-hr Guarantee for Replacement Scanner/1yr. Term	\$300

* 1 free per order

** Refer to page 8 for a complete listing of support agreement options.

*** Pin Converter is not required for this configuration.

****Set the IB-3PC to **position 2** in this configuration. ¹ Part is not RoHS compliant.

Prices and Specifications Subject to Change

\$100 Minimum Order

Confidential Document

Tel: 425.226.5700
Fax: 425.226.8250

07-000001-01, Rev N

Page 47 of 106

www.microscan.com

MS-860 Industrial Raster Scanner

Read Ranges *	
Narrow Bar	Optical/Focus Option:
	High Density (FIS-0860-0003G)
5 mil (.127 mm)	1.5" to 2.75" (38 to 70 mm)
7.5 mil (.191 mm)	1" to 4" (25 to 102 mm)
	Medium Density (FIS-0860-0002G)
7.5 mil (.191 mm)	1.5" to 5.25" (38 to 113 mm)
10 mil (.254 mm)	.75" to 7.25" (19 to 184 mm)
15 mil (.381 mm)	.5" to 9.25" (13 to 235 mm)
30 mil (.762 mm)	1" to 13" (25 to 102 mm)
	Low Density (FIS-0860-0001G)
10 mil (.254 mm)	6.5" to 13.25" (165 to 336 mm)
15 mil (.381 mm)	4" to 18" (102 to 457 mm)
20 mil (.508 mm)	2.5" to 20" (64 to 508 mm)
30 mil (.762 mm)	2" to 24" (50 to 610 mm)
40 mil (1.02 mm)	2" to 28" (50 to 711 mm)
Extended Range Options	
	Near Focus (FIS-0860-0007G)
10 mil (.254 mm)	3" to 11" (77 to 279 mm)
15 mil (.381 mm)	2" to 16" (51 – 406 mm)
	Middle Focus (FIS-0860-0008G)
10 mil (.254 mm)	14" to 17" (356 – 431 mm)
15 mil (.381 mm)	11" to 21" (280 – 533 mm)
	Far Focus (FIS-0860-0004G)
20 mil (.508 mm)	25" to 41" (635 to 1041 mm)
30 mil (.762 mm)	21" to 42" (534 to 1066 mm)
40 mil (1.02 mm)	19" to 47" (483 to 1193 mm)

*Call for custom focus.

Note: all read range performance data is based on testing with grade A symbols and achieving ≥ 350 decodes per second.



Scanners		
Part Number	Description	List Price
FIS-0860-0001G	Low Density, RS-232/422/485, 10-28VDC, Sweeping Raster	\$2,407
FIS-0860-0002G	Medium Density, RS-232/422/485, 10-28VDC, Sweeping Raster	\$2,407
FIS-0860-0003G	High Density, RS-232/422/485, 10-28VDC, Sweeping Raster	\$2,407
FIS-0860-0004G	Extended Range, Far Focus, RS-232/422/485, 10-28VDC, Sweeping Raster	\$2,616
FIS-0860-0007G	Extended Range, Near Focus, RS-232/422/485, 10-28VDC, Sweeping Raster	\$2,616
FIS-0860-0008G	Extended Range, Middle Focus, RS-232/422/485, 10-28VDC, Sweeping Raster	\$2,616

MS-860 Industrial Raster Scanner Continued

Accessories

Part Number	Description	List Price
FIS-0210-0001G	MS-Connect 210, Connectivity Box with Display	\$595
FIS-0210-0002G	MS-Connect 210, Connectivity Box	\$395
FIS-0210-0003G	MS-Connect 210, Connectivity Box with Display and Ethernet	\$795
FIS-0210-0004G	MS-Connect 210, Connectivity Box with Ethernet	\$595
61-000122-01	Cable, To MS-Connect 210, Host RS-422/485 for Multidrop, 6 ft	\$100
61-000123-01	Cable, To MS-Connect 210, Host/AUX RS-232, for Daisy Chain 210 to 210, 6 ft	\$100
61-000034-02	Cable, Comm/Serial , DB-25 Socket to DB-9 Socket, 6 ft	\$30
FIS-0001-0030G	IB-3PC Keyboard Wedge/Interface Box	\$100
98-000039-02	Kit, IB-152, DB25 Plug Terminal Block, DB25 Gender Changer	\$125
20-500013-01 ¹	DeviceNet Protocol Box	\$595
98-000051-01	USB Conversion Kit, IC-3USB	\$75
98-000040-02	Interface Box Kit, IB-150 and Scanner Cable, 6 ft (use for daisy chain)	\$175
61-100029-03	Cable, IB-131 Daisy Chain, 1 ft	\$30

¹ Part is not RoHS compliant.

Power Supply

Part Number	Description	List Price
97-100004-15	Power Supply, 90-264 VAC, 24VDC, USA /Euro Plug	\$125

Mounting and Connectors

Part Number	Description	List Price
98-500006-01*	Mounting Plate Kit, Flat, Custom Surfaces	\$20
20-610024-01	Trigger Connector, 4-pin Plug (for self wiring)	\$30
20-610020-01	Power Connector, 3-pin Socket (for self wiring)	\$30
98-000016-01	Mounting Arm/Adapter Kit, 820/860, 6 inch	\$90
98-000037-01	Extension Kit, All Scanners, 6 inch	\$55
98-000054-01	Kit, Mounting Stand Base Plate, Small	\$30

* Through-hole mounting plate; not for use with mounting arm.

Package Detector/Sensor

Part Number	Description	List Price
99-000017-01	Photo Sensor, Visible, NPN, DARK ON	\$175
99-000017-02	Photo Sensor, Visible, NPN, LIGHT ON	\$175

Software/Manuals

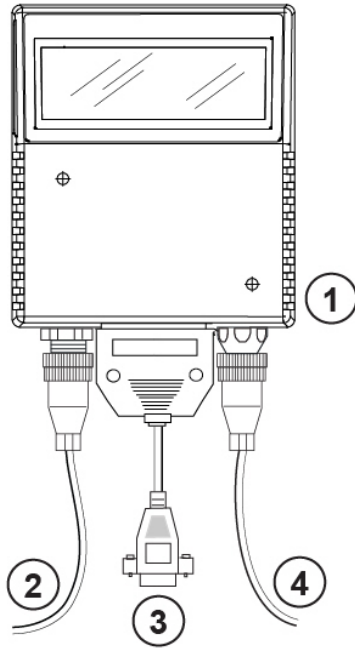
Part Number	Description	List Price
37-000001-01*	CD ROM, User's Manuals, ESP Software	\$30

* 1 free per order.

Tech Reference *MS-860*

Stand Alone

This is the basic setup for a single MS-860.



System Matrix

Product	Reference No.	Description	Price
(1) MS-860	FIS-0860-XXXXG	Scanner Models	Varies
(2) Power Supply	97-100004-15	Power Supply, 90-264 VAC, 24VDC USA /Euro Plug	\$125
(3) Communication Cable (RS-232)	61-000034-02	25-pin D-sub Socket to 9-pin D-sub Socket, 6 ft	\$30
(4) Object Detector (If applicable)	99-000017-01	Photo Sensor, Visible, NPN, DARK ON	\$175
Mounting Arm/Adapter Kit	98-000016-01	Adjustable, 6 inch Mounting Arm	\$90
Mounting Plate	98-000054-01	Mounting Stand Base Plate, Small	\$30
User's Manuals, ESP Software	37-000001-01*	CD ROM, User's Manuals, ESP Software	\$30
Support	COV-0860-NX	24-hr Guarantee for Replacement Scanner/1yr. Term	\$300

* 1 free per order.

Prices and Specifications Subject to Change

Tel: 425.226.5700
Fax: 425.226.8250

\$100 Minimum Order

07-000001-01, Rev N

www.microscan.com

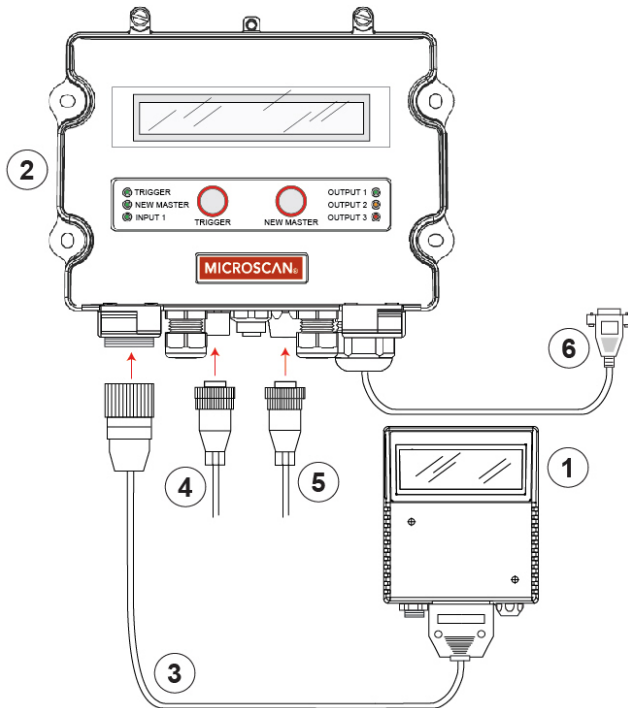
Confidential Document

Page 50 of 106

Tech Reference *MS-860*

Stand Alone with MS-Connect 210

This is the basic setup for a single MS-860 and MS-Connect 210.



System Matrix

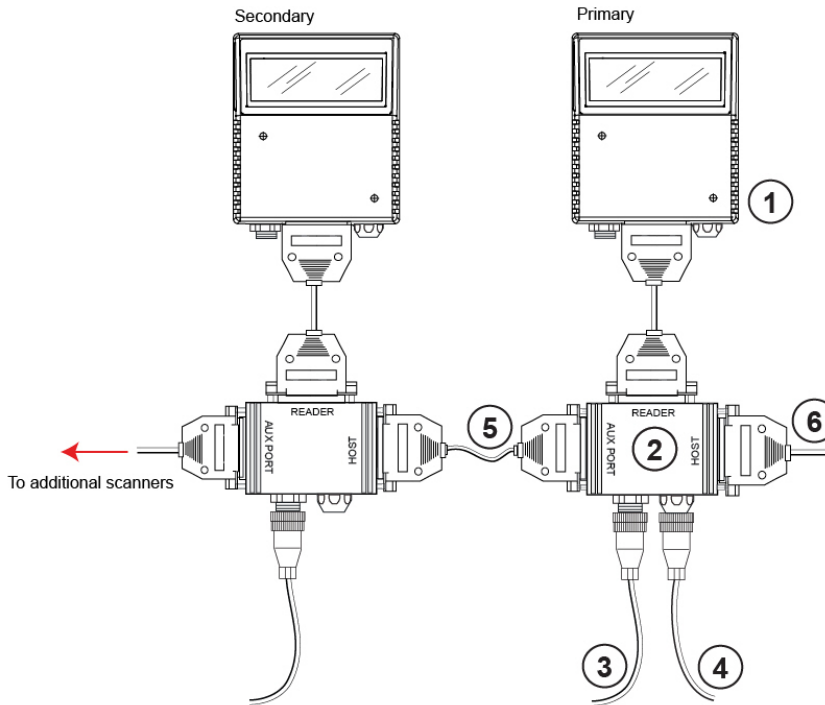
Product	Reference No.	Description	Price
(1) MS-860	FIS-0860-XXXXG	Scanner Models	Varies
(2) MS-Connect 210	FIS-0210-000XG	Connectivity Box	Varies
(3) Reader Cable	61-000122-01 [†]	Cable, To MS-Connect 210, Host RS-422/485 for Multidrop, 6 ft	\$100
(4) Power Supply	97-100004-15	Power Supply, 90-264 VAC, 24VDC USA /Euro Plug	\$125
(5) Object Detector	99-000017-02	Photo Sensor, Visible, NPN, LIGHT ON	\$175
(6) Host Cable	61-000105-01*	Pre-stripped RS-232, 9-pin host cable	\$30
User's Manuals, ESP Software	37-000001-01**	CD ROM, User's Manuals, ESP Software	\$30
Support	COV-0860-NX***	24-hr Guarantee for Replacement Scanner/1 yr. Term	\$300

*See MS-Connect Series section for a complete listing of Accessories
 ** 1 free host cable is included with each MS-Connect 210
 *** 1 free per order.
 **** Refer to page 8 for a complete listing of support agreement options
[†] Choose one cable.

Tech Reference *MS-860*

Daisy Chain

A primary scanner is linked directly to the host. Secondary scanners (up to 9) are linked in tandem. Data is sent from the primary scanner directly to the host.



System Matrix

Product	Reference No.	Description	Price
(1) MS-860	FIS-0860-XXXXG	Scanner Models	Varies
(2) IB-150 Kit	98-000040-02	IB-150 Interface and Reader Cable, 6 ft	\$175
(3) Power Supply	97-100004-15	Power Supply, 90-264 VAC, 24VDC USA /Euro Plug	\$125
(4) Object Detector (If applicable)	99-000017-01	Photo Sensor, Visible, NPN, DARK ON	\$175
(5) Daisy Chain Cable	61-100029-03	Cable, Connects IB-150 to IB-150, 1 ft (.3 meters)	\$30
(6) Communication (RS-232) Cable	61-000034-02**	Cable, 25 pin Socket to 9 pin Socket, 6'	\$30
Mounting Arm/Adapter Kit	98-000016-01	Adjustable, 6 inch Mounting Arm	\$90
Mounting Plate	98-000054-01	Mounting Stand Base Plate, Small	\$30
User's Manuals, ESP Software	37-000001-01*	CD ROM, User's Manuals, ESP Software	\$30
Support	COV-0860-NX	24-hr Guarantee for Replacement Scanner/1yr. Term	\$300

* 1 free per order.

** If using another communications cable, make sure it does not have RTS/CTS connected to the host.

Prices and Specifications Subject to Change

\$100 Minimum Order

Confidential Document

Tel: 425.226.5700
Fax: 425.226.8250

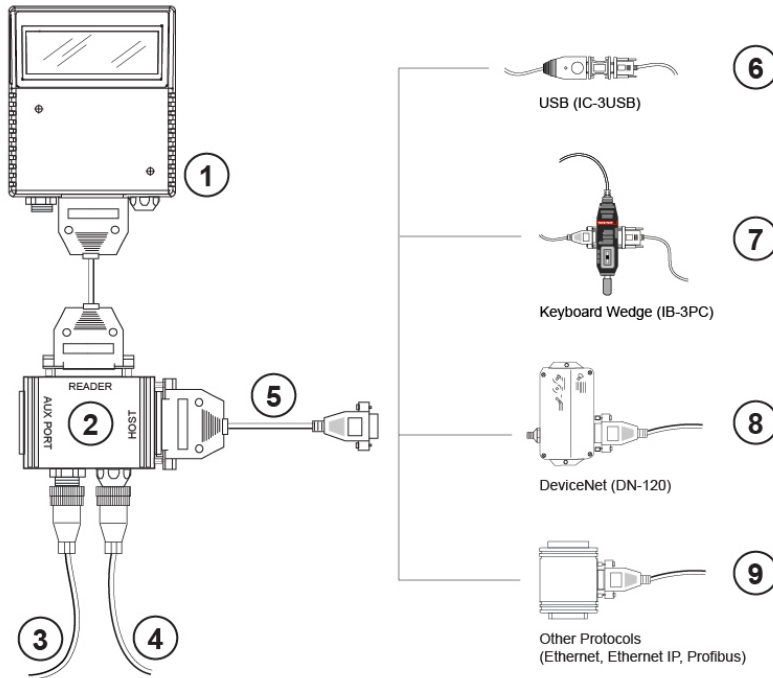
07-000001-01, Rev N

Page 52 of 106

www.microscan.com

Tech Reference *MS-860*

Optional Interface Protocols



System Matrix

Product	Reference No.	Description	Price
(1) MS-860	FIS-0860-XXXXG	Scanner Models	Varies
(2) IB-150 Kit	98-000040-02	IB-150 Interface and Reader cable, 6 ft	\$175
(3) Power Supply	97-100004-15	Power Supply, 90-264 VAC, 24VDC USA /Euro Plug	\$125
(4) Object Detector (If applicable)	99-000017-01	Photo Sensor, Visible, NPN, DARK ON	\$175
(5) Communication Cable	61-000034-02	25pin D-sub Socket to 9pin D-sub Socket, 6 ft	\$30
(6) IC-3USB***	98-000051-01	USB Conversion Kit	\$75
(7) IB-3PC****	FIS-0001-0030G	Keyboard Wedge PC Interface	\$100
(8) DN-120	20-500013-01 ¹	DeviceNet Protocol Box	\$595
(9) Other Protocols (Ethernet, EtherNet/IP, Profibus)	Third Party	Ask your Microscan sales representative which solution is appropriate for your application.	Various
Mounting Arm/Adapter Kit	98-000016-01	Adjustable, 6 inch Mounting Arm	\$90
Mounting Plate	98-000054-01	Mounting Stand Base Plate, Small	\$30
User's Manuals, ESP Software s	37-000001-01*	CD ROM, User's Manuals, ESP Software	\$30
Support	COV-0860-NX	24-hr Guarantee for Replacement Scanner/1yr. Term	\$300

* 1 free per order.

**If using another communications cable, make sure it does not have RTS/CTS connected to the host.

*** Pin Converter is not required for this configuration.

**** Set the IB-3PC to **position 2** in this configuration.

¹ Part is not RoHS compliant.

Prices and Specifications Subject to Change

\$100 Minimum Order

Confidential Document

Tel: 425.226.5700
Fax: 425.226.8250

07-000001-01, Rev N

Page 53 of 106

www.microscan.com

MS-890 Industrial Automation Scanner

Read Ranges

Narrow Bar

7.5 mil (.191 mm)	10" to 35" (254 to 889 mm)
15 mil (.381 mm)	10" to 74" (254 to 1880 mm)
20 mil (.508 mm)	10" to 90" (254 to 2286 mm)
30 mil (.762 mm)	10" to 100" (254 to 2540 mm)
40 mil (1.02 mm)	10" to 110" (254 to 2794 mm)
50 mil (1.27 mm)	10" to 120" (254 to 2048 mm)



MS-890 Industrial Scanners

Part Number	Description	List Price
FIS-0890-0001G	Long Range, Stand Alone Version, RS-232/485, 10-28 VDC	\$3,665
FIS-0890-0002G	Long Range, Wiring Box Ready, RS-232/485, 10-28 VDC	\$3,665

Wiring Box

Part Number	Description	List Price
99-420003-04	IB-890 Wiring Box (use w/FIS-0890-0002G)	\$300
98-000013-04	Relay Module, 120VAC, 3 Amp Output, Series 70, Type SM	\$47
98-000013-05	Relay Module, 240VAC, 3 Amp Output, Series 70, Type SM	\$47
98-000013-06	Relay Module, 24VDC, 3 Amp Output, Series 70, Type SM	\$47
98-000056-02	Ethernet TCP/IP Protocol Card	\$595
12-000130-01*	CGB's (sealed strain relief wire clamp)	\$15

* 1 Included with 99-420003-02.

MS-890 Industrial Automation Scanner Continued

Accessories

Part Number	Description	List Price
FIS-0210-0001G	MS-Connect 210, Connectivity Box with Display	\$595
FIS-0210-0002G	MS-Connect 210, Connectivity Box	\$395
FIS-0210-0003G	MS-Connect 210, Connectivity Box with Display and Ethernet	\$795
FIS-0210-0004G	MS-Connect 210, Connectivity Box with Ethernet	\$595
61-000122-01	Cable, To MS-Connect 210, Host RS-422/485 for Multidrop, 6 ft	\$100
61-000123-01	Cable, To MS-Connect 210, Host/AUX RS-232, for Daisy Chain 210 to 210, 6 ft	\$100
FIS-0001-0030G	IB-3PC Keyboard Wedge/Interface Box	\$100
98-000039-02	Kit, IB-152, DB25 Plug Terminal Block, DB25 Gender Changer	\$125
98-000040-02	IB-150 Interface and reader cable, 6 ft	\$175
98-000051-01	USB Conversion kit, IC-3USB	\$75
61-000034-02	Cable, Comm/Serial , 25pin Socket to 9pin Socket, 6 ft	\$30
61-100029-03	Cable, Connects IB-150 to IB-150, 1 ft , Daisy Chain	\$30
61-000010-02	Cable, Communication, DB-9 Socket to DB-9 Socket, 6 ft	\$30
98-000011-01	Glass Window Replacement Kit	\$80
98-000011-02	Plastic Window Replacement Kit	\$130

Power Supply

Part Number	Description	List Price
97-100004-15	Power Supply, 90-264 VAC, 24VDC, USA /Euro Plug	\$125

Mounting and Connectors

Part Number	Description	List Price
98-000017-01	Mounting Arm/Adapter Kit, IB-890/FIS-0880-0002, 6 inch	\$90
98-000018-01	Mounting Arm/Adapter kit, MS-890, 6 inch	\$90
98-000046-01	Kit, Base Plate	\$40
98-200037-01	Standard Flat Mounting Plate Kit, MS-890, Custom Surfaces	\$40
20-610024-01	Trigger Connector, 4-pin Plug (for self wiring)	\$30
20-610020-01	Power Connector, 3-pin Socket (for self wiring)	\$30

Package Detector/Sensor

Part Number	Description	List Price
99-000004-01	Package Detector, Standard Diffuse, 120 inch Range, 4-pin Plug	\$225
99-000004-02	Package Detector, Standard Diffuse, 120 inch Range, Unterminated	\$225
99-000017-01	Photo Sensor, Visible, NPN, DARK ON	\$175
99-000017-02	Photo Sensor, Visible, NPN, LIGHT ON	\$175

Software / Manuals

Part Number	Description	List Price
37-000001-01*	CD ROM, User's Manuals, ESP Software	\$30

*1 free per order.

Prices and Specifications Subject to Change

\$100 Minimum Order

Confidential Document

Tel: 425.226.5700
Fax: 425.226.8250

07-000001-01, Rev N

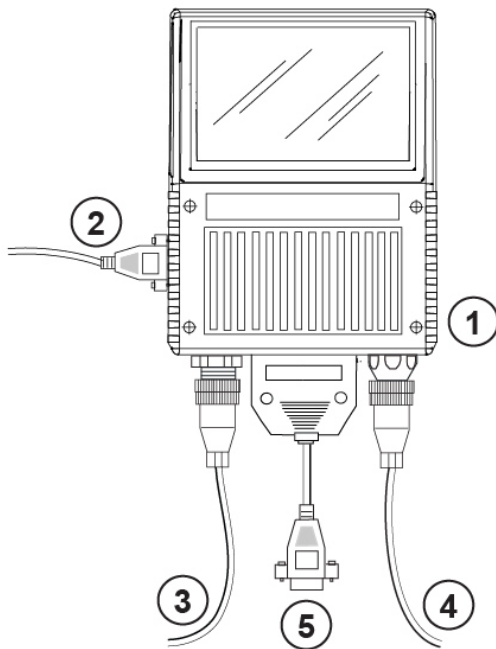
Page 55 of 106

www.microscan.com

Tech Reference *MS-890*

Stand Alone

This is the basic setup for a single MS-890.



System Matrix

Product	Reference No.	Description	Price
(1) MS-890	FIS-0890-0001G	Scanner, Industrial, Long Range	\$3,665
(2) Configuration Cable	61-000010-02	Serial, 9-pin, D-Sub, Socket to 9-pin, D-Sub, Socket, 6 ft	\$30
(3) Power Supply	97-100004-15	Power Supply, 90-264 VAC, 24VDC, USA /Euro Plug	\$125
(4) Object Detector	99-000004-01	Package Detector, Standard Diffuse, 120 inch Range, 4-pin Plug	\$225
(5) Cable, Comm/Serial	61-000034-02	Cable, 25 Pin D-sub, Socket to 9 Pin D-sub, Socket, 6 ft	\$30
Mounting Arm Kit	98-000018-01	Mounting Arm/Adapter Kit, MS-890	\$90
Mounting Plate	98-000046-01	Mounting Stand Base Plate	\$40
User's Manuals, ESP Software	37-000001-01*	CD ROM, User's Manuals, ESP Software	\$30
Support	COV-0890-NX**	24-hr Guarantee for Replacement Scanner/1yr. Term	\$400

* 1 free per order.

** Refer to page 8 for a complete listing of support agreement options.

Prices and Specifications Subject to Change

\$100 Minimum Order

Confidential Document

Tel: 425.226.5700
Fax: 425.226.8250

07-000001-01, Rev N

Page 56 of 106

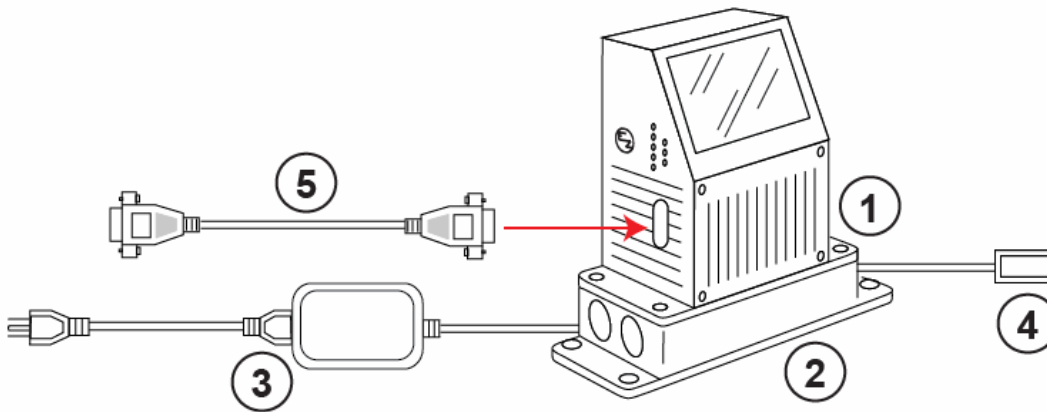
www.microscan.com

Tech Reference *MS-890*

Stand Alone

with Wiring Box

This is the basic setup for a single MS-890 with IB-890 Wiring Box.



System Matrix

Product	Reference No.	Description	Price
(1) MS-890	FIS-0890-0002G	Scanner, Industrial, Wiring Box-Ready	\$3,665
(2) Wiring Box Base	99-420003-04	Wiring Box Base, IB-890/FIS-0890-0002	\$300
(3) Power Supply***	97-100004-15	Power Supply, 90-264 VAC, 24VDC, USA /Euro Plug	\$125
(4) Object Detector	99-000004-02	Package Detector, Standard Diffuse, 120 inch Range, Unterminated	\$225
(5) Configuration Cable	61-000010-02	Serial, 9 pin, D-Sub, Socket to 9 pin, D-Sub, Socket	\$30
Mounting Arm/Adapter Kit	98-000017-01	6 inch Adjustable Mounting Arm Kit, IB-890/FIS-0880-0002	\$90
Mounting Plate	98-000046-01	Mounting Stand Base Plate	\$40
User's Manuals, ESP Software	37-000001-01*	CD ROM, User's Manuals, ESP Software	\$30
Support	COV-0890-NX**	24-hr Guarantee for Replacement Scanner/1yr. Term	\$400

* 1 free per order.

** Refer to page 8 for a complete listing of support agreement options.

*** Remove connectors before installation.

Prices and Specifications Subject to Change

\$100 Minimum Order

07-000001-01, Rev N

Confidential Document

Tel: 425.226.5700
Fax: 425.226.8250

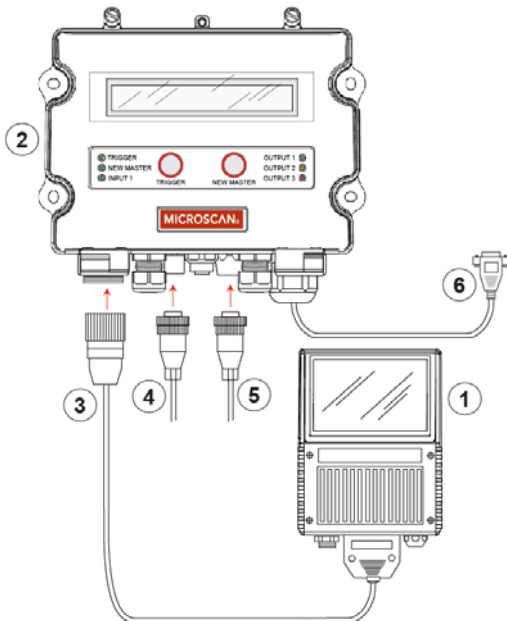
www.microscan.com

Page 57 of 106

Tech Reference *MS-890*

Stand Alone with MS-Connect 210

This is the basic setup for a single MS-890 and MS-Connect 210.



System Matrix

Product	Reference No.	Description	Price
(1) MS-890	FIS-0890-0001G	Scanner, Industrial, Long Range	\$3,665
(2) MS-Connect 210	FIS-0210-000XG*	Connectivity Box	Varies
(3) Reader Cable	61-000122-01†	Cable, MS-890 to MS-Connect 210, Host RS-422/485, 6ft	\$100
(4) Power Supply	97-100004-15	Power Supply, 90-264 VAC, 24VDC USA /Euro Plug	\$125
(5) Object Detector	99-000017-02	Photo Sensor, Visible, NPN, LIGHT ON	\$175
(6) Host Cable	61-000105-01**	Pre-stripped RS-232, 9-pin host cable	\$30
User's Manuals, ESP Software	37-000001-01***	CD ROM, User's Manuals, ESP Software	\$30
Support	COV-0890-NX****	24-hr Guarantee for Replacement Scanner/1 yr. Term	\$400

* See MS-Connect Series section for a complete listing of Accessories

** 1 free host cable is included with each MS-Connect 210

*** 1 free per order.

**** Refer to page 8 for a complete listing of support agreement options

† Choose one cable.

Prices and Specifications Subject to Change

\$100 Minimum Order

Confidential Document

Tel: 425.226.5700
Fax: 425.226.8250

07-000001-01, Rev N

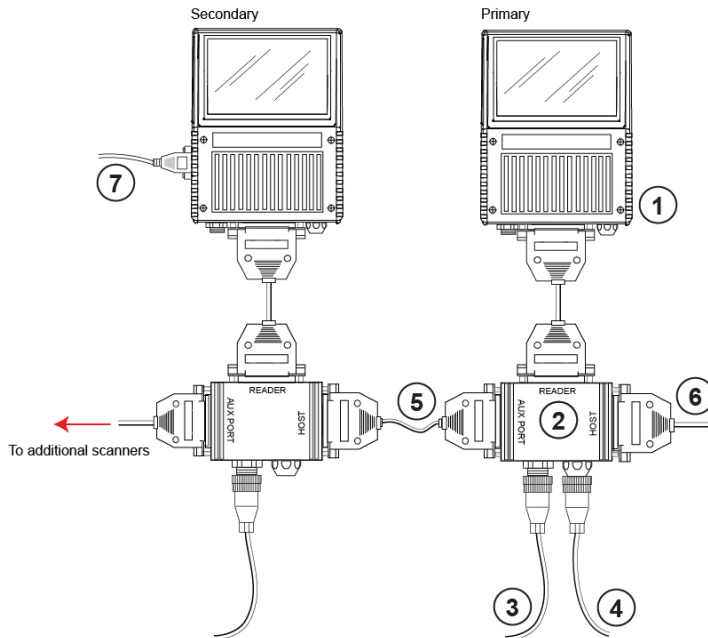
Page 58 of 106

www.microscan.com

Tech Reference *MS-890*

Daisy Chain

A primary scanner is linked directly to the host. Secondary scanners (up to 9) are linked in tandem. Data is sent from the primary scanner directly to the host.



System Matrix

Product	Reference No.	Description	Price
(1) MS-890	FIS-0890-0001G	Scanner, Industrial, Long Range	\$3,665
(2) IB-150 Kit	98-000040-02	IB-150 Interface and Reader Cable, 6 ft	\$175
(3) Power Supply	97-100004-15	Power Supply, 90-264 VAC, 24VDC USA /Euro Plug	\$125
(4) Object Detector (If applicable)	99-000004-01	Package Detector, Std. Diffuse, 120 inch Range, 4-pin Plug	\$225
(5) Daisy Chain Cable	61-100029-03	Cable, Connects IB-150 to IB-150, 1 ft (.3 meters)	\$30
(6) IB-150 Host Cable	61-000034-02***	Cable, 25 pin Socket to 9 pin Socket, 6 ft	\$30
(7) Configuration Cable	61-000010-02	Serial, 9 pin, D-Sub, Socket to 9 pin, D-Sub, Socket	\$30
Mounting Arm Kit	98-000018-01	Mounting Arm/Adapter Kit, MS-890	\$90
Mounting Plate	98-000046-01	Mounting Stand Base Plate	\$40
User's Manuals, ESP Software	37-000001-01*	CD ROM, User's Manuals, ESP Software	\$30
Support	COV-0890-NX**	24-hr Guarantee for Replacement Scanner/1yr. Term	\$400

* 1 free per order.

** Refer to page 8 for a complete listing of support agreement options.

*** If using another communications cable, make sure it does not have RTS/CTS connected to the host.

Prices and Specifications Subject to Change

\$100 Minimum Order

Confidential Document

Tel: 425.226.5700
Fax: 425.226.8250

07-000001-01, Rev N

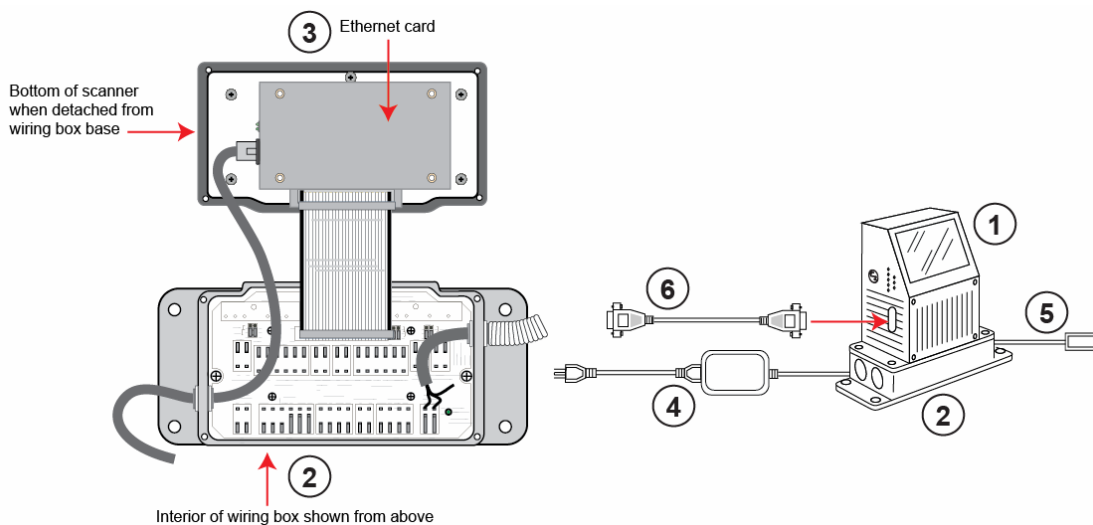
Page 59 of 106

www.microscan.com

Tech Reference *MS-890*

Ethernet with Wiring Box

This is the basic setup for an MS-890 with Ethernet.



System Matrix

Product	Reference No.	Description	Price
(1) MS-890	FIS-0890-0002G	Scanner, Industrial, Wiring Box Ready	\$3,665
(2) Wiring Box Base	99-420003-04	Wiring Box Base, IB-890 (FIS-0890-0002 only)	\$300
(3) Ethernet Card	98-000056-02	Ethernet TCP/IP Protocol Card Kit	\$595
(4) Power Supply***	97-100004-15	Power Supply, 90-264 VAC, 24VDC, USA /Euro Plug	\$125
(5) Object Detector	99-000004-02	Package Detector, Standard Diffuse, 120 inch Range, Underterminated	\$225
(6) Configuration Cable	61-000010-02	Serial, 9 pin, D-Sub, Socket to 9 pin, D-Sub, Socket	\$30
Ethernet Cable	Existing Equip.	Customer's Cat 5 Ethernet Cable	N/A
Mounting Arm/Adapter Kit	98-000017-01	6 inch Adjustable Mounting Arm Kit, IB-890/FIS-0890-0002	\$90
Mounting Plate	98-000046-01	Mounting Stand Base Plate	\$40
User's Manuals, ESP Software	37-000001-01*	CD ROM, User's Manuals, ESP Software	\$30
Support	COV-0890-NX**	24-hr Guarantee for Replacement Scanner/1yr. Term	\$400

* 1 free per order.

** Refer to page 8 for a complete listing of support agreement options.

*** Remove connectors before installation.

Prices and Specifications Subject to Change

\$100 Minimum Order

Confidential Document

Tel: 425.226.5700
Fax: 425.226.8250

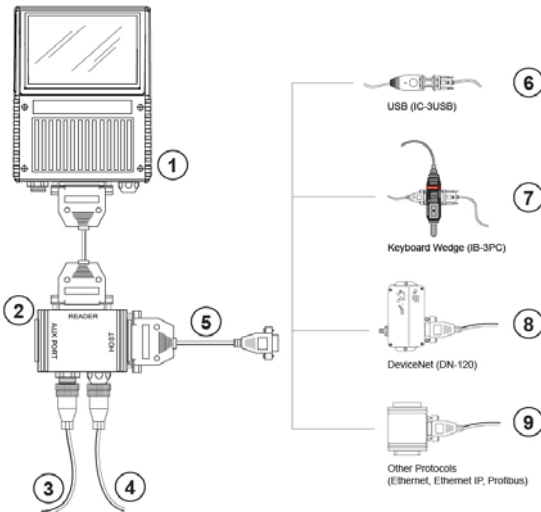
07-000001-01, Rev N

Page 60 of 106

www.microscan.com

Tech Reference *MS-890*

Optional Interface Protocols



System Matrix

Product	Reference No.	Description	Price
(1) MS-890	FIS-0890-0001G	Scanner, Industrial, Long Range	\$3,665
(2) IB-150 Kit	98-000040-02	IB-150 Interface and Reader Cable, 6 ft	\$175
(3) Power Supply	97-100004-15	Power Supply, 90-264 VAC, 24VDC, USA /Euro Plug	\$125
(4) Object Detector (If applicable)	99-000004-01	Package Detector, Standard Diffuse, 120 inch Range, 4-pin Plug	\$225
(5) Cable, Comm/Serial	61-000034-02	Cable, 25 Pin D-sub, Socket to 9 Pin D-sub, Socket, 6 ft	\$30
(6) IC-3USB***	98-000051-01	USB Conversion Kit	\$75
(7) IB-3PC****	FIS-0001-0030G	Keyboard Wedge PC Interface	\$100
(8) DN-120	20-500013-01 ¹	DeviceNet Protocol Box	\$595
(9) Other Protocols (Ethernet, EtherNet/IP, Profibus)	Third Party	Ask your Microscan sales representative which solution is appropriate for your application.	Various
Mounting Arm Kit	98-000018-01	Mounting Arm/Adapter Kit, MS-890	\$90
Mounting Plate	98-000046-01	Mounting Stand Base Plate	\$40
User's Manuals, ESP Software	37-000001-01*	CD ROM, User's Manuals, ESP Software	\$30
Support	COV-0890-NX**	24-hr Guarantee for Replacement Scanner/1yr. Term	\$400

*1 free per order.

**Refer to page 8 for a complete listing of support agreement options.

*** Pin Converter is not required for this configuration.

****Set the IB-3PC to **position 2** in this configuration.

¹ Part is not RoHS compliant.

Prices and Specifications Subject to Change

\$100 Minimum Order

Confidential Document

Tel: 425.226.5700
Fax: 425.226.8250

07-000001-01, Rev N

Page 61 of 106

www.microscan.com

MS-Q Rugged Handled Imagers

Read Ranges	
High Resolution	
5 mil (.127 mm)	1.75" to 2.50" (44 to 64 mm)
10 mil (.254 mm)	1.75" to 4.75" (44 to 103 mm)
20 mil (.508 mm)	1.75" to 6.50" (44 to 165 mm)
Standard Resolution	
7.5 mil (.191 mm)	3.2" to 3.9" (81 to 99 mm)
15 mil (.381 mm)	3.0" to 9.0" (76 to 229 mm)
20 mil (.508 mm)	3.0" to 11.5" (76 to 292 mm)



MS-Q Quadrus Rugged Handled Imager		
Part Number	Description	List Price
FIS-6100-0030G*	Handled, Imager, High Resolution, Quadrus Software, USB 6ft, H2	\$1,882
FIS-6100-0031G *	Handled, Imager, High Res., Quadrus Software, Batch/Battery, BH1	\$2,040
FIS-6100-0032G *	Handled, Imager, High Res., Quadrus Software, Batch/Battery, BH2	\$2,092
FIS-6100-0033G *	Handled, Imager, High Res., Quadrus Software, Bluetooth, BH1	\$2,197
FIS-6100-0034G *	Handled, Imager, High Res., Quadrus Software, Bluetooth, BH2	\$2,249
FIS-6100-0035G*	Handled, Imager, Standard Res., Quadrus Software, USB 6ft., H2	\$1,882
FIS-6100-0036G *	Handled, Imager, Standard Res., Quadrus Software, Batch/Battery, BH1	\$2,040
FIS-6100-0037G *	Handled, Imager, Standard Res., Quadrus Software, Batch/Battery, BH2	\$2,092
FIS-6100-0038G *	Handled, Imager, Standard Res., Quadrus Software, Bluetooth, BH1	\$2,197
FIS-6100-0039G *	Handled, Imager, Standard Res., Quadrus Software, Bluetooth, BH2	\$2,249
FIS-6100-0040G*	Handled, Imager, High Res., Quadrus Software, PS/2	\$1,882
FIS-6100-0041G*	Handled, Imager, Standard Res., Quadrus Software, PS/2	\$1,882
FIS-6100-0042G *	Handled, Imager, Standard Res., Quadrus SW, Bluetooth, (Telec approved), BH1	\$2,354
FIS-6100-0043G *	Handled, Imager, Standard Res., Quadrus SW, Bluetooth, (Telec approved), BH2	\$2,407
FIS-6100-0044G *	Handled, Imager, High Res., Quadrus SW, Bluetooth, (Telec approved), BH1	\$2,354
FIS-6100-0045G *	Handled, Imager, High Res., Quadrus SW, Bluetooth, (Telec approved), BH2	\$2,407
FIS-6100-0046G*	Handled, Imager, Standard Res., Quadrus SW, Image Lock, H2	\$2,092

* = Includes 6ft USB Cable; PS/2 and RS-232 are optional and the appropriate cable must be purchased separately.

H2 = Battery Blank Handle

BH1 = 1950 mAH Battery Option

BH2 – 3900 mAH Battery Option

MS-Q Rugged Handled Imagers Continued

Prices and Specifications Subject to Change

\$100 Minimum Order

Confidential Document

Tel: 425.226.5700

Fax: 425.226.8250

07-00001-01, Rev N

Page 62 of 106

www.microscan.com

MS-Q Basic Rugged Handled Imager

Part Number	Description	List Price
FIS-6150-0020G	Handled, Imager, Standard Res., USB 6ft., H2	\$945
FIS-6150-0021G	Handled, Imager, Standard Res., Batch/Battery, BH1	\$1,095
FIS-6150-0022G	Handled, Imager, Standard Res., Batch/Battery, BH2	\$1,145
FIS-6150-0023G	Handled, Imager, Standard Res., Bluetooth, BH1	\$1,245
FIS-6150-0024G	Handled, Imager, Standard Res., Bluetooth, BH2	\$1,295
FIS-6150-0025G	Handled, Imager, Standard Res., PS/2	\$945
FIS-6150-0026G	Handled, Imager, Standard Res., Bluetooth, (Telec approved), BH1	\$1,395
FIS-6150-0027G	Handled, Imager, Standard Res., Bluetooth, (Telec approved), BH2	\$1,445

* = Includes 6ft USB Cable; PS/2 and RS-232 are optional and the appropriate cable must be purchased separately.

H2 = Battery Blank Handle

BH1 = 1950 mAH Battery Option

BH2 = 3900 mAH Battery Option

MS-Q Handled Imagers with LightRay Optics



MS-Q Quadrus Handled Imager with LightRay Optics Kit

Part Number	Description	List Price
FIS-6100-1011G*	High Resolution, Quadrus Software, USB 6ft., (PS/2, RS-232), LightRay 100 kit	\$2,407
FIS-6100-1012G* ψ	High Resolution, Quadrus Software, Batch/Battery, LightRay 100 kit	\$2,564
FIS-6100-1013G* ψ	High Resolution, Quadrus Software, Bluetooth, LightRay 100 kit	\$2,721
FIS-6100-1014G*	Standard Res., Quadrus Software, USB 6ft., (PS/2, RS-232), LightRay 110 kit	\$2,407
FIS-6100-1015G* ψ	Standard Resolution, Quadrus Software, Batch/Battery, LightRay 110 kit	\$2,564
FIS-6100-1016G* ψ	Standard Resolution, Quadrus Software, Bluetooth, LightRay 110 kit	\$2,721
FIS-6100-2011G*	High Resolution, Quadrus Software, USB 6ft., (PS/2, RS-232), LightRay 205 kit	\$2,407
FIS-6100-2012G* ψ	High Resolution, Quadrus Software, Batch/Battery, LightRay 205 kit	\$2,564
FIS-6100-2013G* ψ	High Resolution, Quadrus Software, Bluetooth, LightRay 205 kit	\$2,721
FIS-6100-2014G*	Standard Res., Quadrus Software, USB 6ft., (PS/2, RS-232), LightRay 215 kit	\$2,407
FIS-6100-2015G* ψ	Standard Resolution, Quadrus Software, Batch/Battery, LightRay 215 kit	\$2,564
FIS-6100-2016G* ψ	Standard Resolution, Quadrus Software, Bluetooth, LightRay 215 kit	\$2,721

* = Includes 6ft USB Cable; PS/2 and RS-232 are optional and the appropriate cable must be purchased separately.
 ψ = includes Battery.

LightRay Optics Kits

Part Number	Description	List Price
FIS-0001-0031G	Kit, LightRay 100, High Resolution	\$734
FIS-0001-0032G	Kit, LightRay 110, Standard Resolution	\$734
FIS-0001-0033G	Kit, LightRay 205, High Resolution	\$734
FIS-0001-0034G	Kit, LightRay 215, Standard Resolution	\$734

MS-Q RS-232 Kits (Serial Interface)

Part Number	Description	List Price
98-000074-04	Kit, RS-232 Interface, 8 ft coiled cable, USA Power Supply	\$70
98-000074-05	Kit, RS-232 Interface, 8 ft coiled cable, Europe Power Supply	\$100
98-000074-06	Kit, RS-232 Interface, 8 ft coiled cable, UK Power Supply	\$110

MS-Q Rugged Handled Imagers Continued

MS-Q Battery Charger Kit

Part Number	Description	List Price
<u>H1 Handle</u>		
98-000075-04	Kit, 2-Bay Battery Charger for H1 Batteries, USA Power Supply	\$150
98-000075-05	Kit, 2-Bay Battery Charger for H1 Batteries, Europe Power Supply	\$175
98-000075-06	Kit, 2-Bay Battery Charger for H1 Batteries, UK Power Supply	\$200
<u>BH1 and BH2 Cable Chargers</u>		
98-000075-07	Kit, Cable Battery Charger for BH1 and BH2, USA Power Supply	\$75
98-000075-08	Kit, Cable Battery Charger for BH1 and BH2, Europe Power Supply	\$100
98-000075-09	Kit, Cable Battery Charger for BH1 and BH2, UK Power Supply	\$125
<u>Charging Bay</u>		
98-000075-10	Kit, Charging Bay for BH1 and BH2, USA Power Supply	\$100
98-000075-11	Kit, Charging Bay for BH1 and BH2, Europe Power Supply	\$125
98-000075-12	Kit, Charging Bay for BH1 and BH2, UK Power Supply	\$150
98-000075-13	Kit, Charging Bay for BH1 and BH2, No Power Supply	\$75

MS-Q Bluetooth Modem Kits

Part Number	Description	List Price
98-000076-11	Kit, Bluetooth Modem, RS-232, USA Power Supply	\$450
98-000076-12	Kit, Bluetooth Modem, RS-232, Europe Power Supply	\$475
98-000076-13	Kit, Bluetooth Modem, RS-232, UK Power Supply	\$495
98-000076-14	Kit, Bluetooth Modem, USB	\$400

Power Supplies

Part Number	Description	List Price
20-000335-02	Power Supply, Wall Mount, 90-264 VAC, +5VDC, 1.5A, USA plug	\$30
20-000336-02	Power Supply, Wall Mount, 90-264 VAC, +5VDC, 1.5A, Europe plug	\$65
20-000337-02	Power Supply, Wall Mount, 200-240 VAC, +5VDC, 2.4A, UK plug	\$80

MS-Q Rugged Handled Imagers Continued

Miscellaneous Accessories

Part Number	Description	List Price
FIS-0210-0001G	MS-Connect 210, Connectivity Box with Display	\$595
FIS-0210-0002G	MS-Connect 210, Connectivity Box	\$395
FIS-0210-0003G	MS-Connect 210, Connectivity Box with Display and Ethernet	\$795
FIS-0210-0004G	MS-Connect 210, Connectivity Box with Ethernet	\$595
61-000066-02	Cable, MS-Q to MS-Connect 210, 15 ft	\$80
12-000215-02	Handle, MS-Q, First Generation (H1)	\$70
12-000215-06	Rugged Handle, Battery Blank (H2)	\$99
12-000215-07	Rugged Handle, 1950mAH Battery (BH1)	\$199
12-000215-08	Rugged Handle, 3900mAH Battery (BH2)	\$249
20-000338-02	Battery Blank (H1 Handle)	\$25
20-000333-04	Battery, LiON, 1950mAH (H1 Handle)	\$149
60-000008-02	Cable, 8' coiled, RS-232 interface	\$45
60-000009-02	Cable, 6' straight, USB interface	\$45
60-000031-01	Cable, 12' straight, USB interface	\$70
60-000018-02	Cable, 6' coiled, PS/2 interface	\$60
20-000925-01	Protective Jacket, MS-Q (H1 Handle)	\$30

Software / Manuals

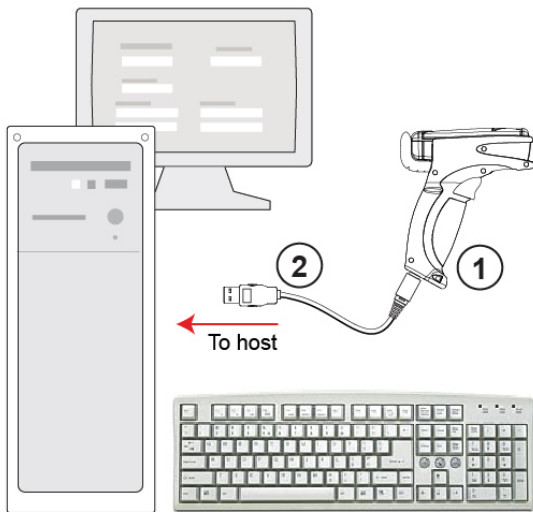
Part Number	Description	List Price
37-000001-01*	CD ROM, User's Manuals, ESP Software	\$30

* 1 free per order.

Tech Reference *MS-Q*

USB

The reader communicates to the host using USB.



System Matrix (*MS-Q Quadrus*)

Product	Reference No.	Description	Price
(1) MS-Q Quadrus	FIS-6100-XXXXG*	Handled, Imager, High Resolution, Quadrus Software, USB, (PS/2, RS-232)	\$1882
(2) USB Cable		Included in MS-Q kit	
User's Manuals, ESP Software	37-000001-01**	CD ROM, User's Manuals, ESP Software	\$30

*Note: Kit includes MS-Q Imager and USB Cable.

**1 free per order.

System Matrix (*MS-Q Basic*)

Product	Reference No.	Description	Price
(1) MS-Q Basic	FIS-6150-XXXXG*	Handled, Imager, Standard Resolution, USB, (PS/2, RS-232)	\$945
(2) USB Cable		Included in MS-Q kit	
User's Manuals, ESP Software	37-000001-01**	CD ROM, User's Manuals, ESP Software	\$30

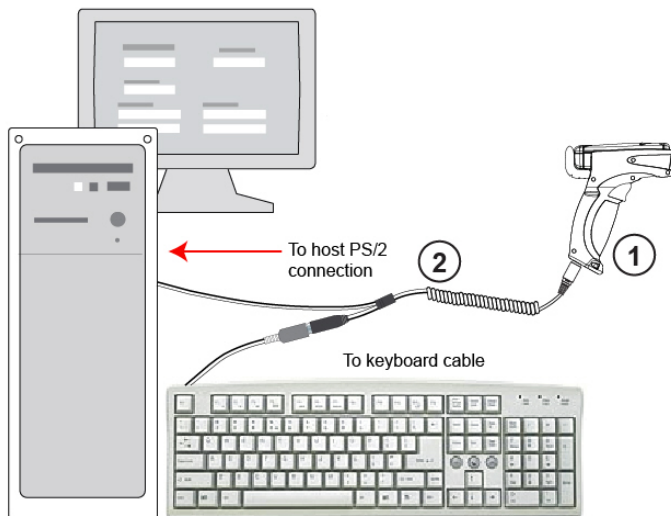
*Note: Kit includes MS-Q Imager and USB Cable, PS/2 and RS-232 are optional and the appropriate cable must be purchased separately.

**1 free per order.

Tech Reference *MS-Q*

PS/2

The reader communicates to the host using PS/2.



System Matrix (*MS-Q Quadrus*)

Product	Reference No.	Description	Price
(1) MS-Q Quadrus	FIS-6100-XXXXG	Handled, Imager, High Resolution, Quadrus Software, PS/2	\$1882
(2) Keyboard Wedge cable	60-000018-02	Cable, 6' coiled, PS/2 interface	\$60
User's Manuals, ESP Software	37-000001-01*	CD ROM, User's Manuals, ESP Software	\$30

*1 free per order.

System Matrix (*MS-Q Basic*)

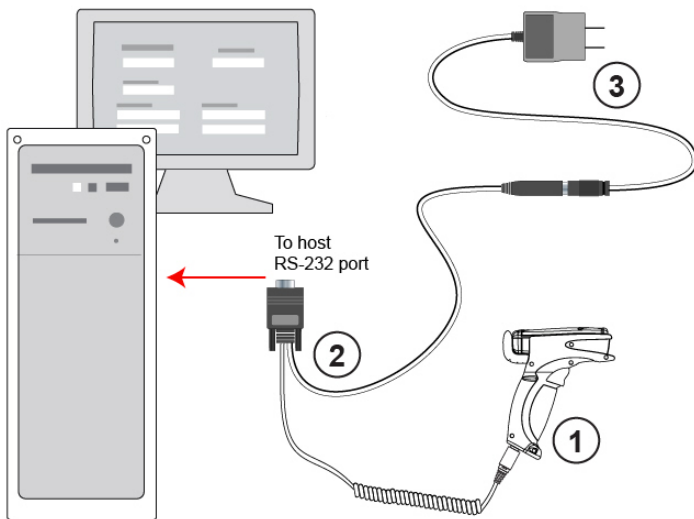
Product	Reference No.	Description	Price
(1) MS-Q Basic	FIS-6150-XXXXG	Handled, Imager, Standard Resolution, PS/2	\$945
(2) Keyboard Wedge cable	60-000018-02	Cable, 6' coiled, PS/2 interface	\$60
User's Manuals, ESP Software	37-000001-01*	CD ROM, User's Manuals, ESP Software	\$30

*1 free per order.

Tech Reference *MS-Q*

RS-232

The reader communicates to the host using RS-232.



System Matrix (*MS-Q Quadrus*)

Product	Reference No.	Description	Price
(1) MS-Q Quadrus	FIS-6100-XXXXG***	Handled, Imager, High Resolution, Quadrus Software, USB, (PS/2, RS-232)	\$1882
(2) RS-232 Kit	98-000074-xx*	Kit, RS-232 Interface, 8 ft coiled cable, Power Supply	\$70
(3) Power Supply	See Note*	Power Supply, Wall Mount, 90-264 VAC, +5VDC, 1.5A	
User's Manuals, ESP Software	37-000001-01**	CD ROM, User's Manuals, ESP Software	\$30

* RS-232 Kit includes power supply. There are three power supply options which have slight price differences.

**1 free per order.

*** To use the PS/2 option the appropriate cable must be purchased separately.

System Matrix (*MS-Q Basic*)

Product	Reference No.	Description	Price
(1) MS-Q Basic	FIS-6150-XXXXG***	Handled, Imager, Standard Resolution, USB, (PS/2, RS-232)	\$945
(2) RS-232 Kit	98-000074-xx*	Kit, RS-232 Interface, 8 ft coiled cable, Power Supply	\$70
(3) Power Supply	See Note*	Power Supply, Wall Mount, 90-264 VAC, +5VDC, 1.5A,	
User's Manuals, ESP Software	37-000001-01**	CD ROM, User's Manuals, ESP Software	\$30

* RS-232 Kit includes power supply. There are three power supply options which have slight price differences.

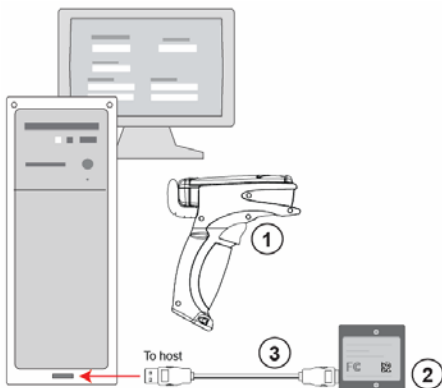
**1 free per order.

*** To use the PS/2 option the appropriate cable must be purchased separately.

Tech Reference *MS-Q*

Bluetooth (Wireless)

The reader communicates directly to the host using Bluetooth or using a RS-232/Bluetooth modem (shown).



System Matrix (*MS-Q Quadrus*)

Product	Reference No.	Description	Price
(1) MS-Q Quadrus	FIS-6100-XXXXG	Handled, Imager, High Resolution, Quadrus Software, Bluetooth	\$2197
(2) Bluetooth Modem Kit	98-000076-xx*	Kit, Bluetooth Modem (Serial Gateway), USA Power Supply	\$450
(3) RS-232 Cable	See Note*	Cable, 8' coiled, RS-232 interface	
(4) Power Supply (not shown)	See Note*	Power Supply, Wall Mount, 90-264 VAC, +5VDC, 1.5A, USA plug	
User's Manuals, ESP Software	37-000001-01**	CD ROM, User's Manuals, ESP Software	\$30

*Bluetooth Modem Kit includes RS-232 cable and power supply. There are three power supply options which have slight price differences.
 **1 free per order.

System Matrix (*MS-Q Basic*)

Product	Reference No.	Description	Price
(1) MS-Q Basic	FIS-6150-XXXXG	Handled, Imager, Standard Resolution, Bluetooth	\$1245
(2) Bluetooth Modem Kit	98-000076-xx*	Kit, Bluetooth Modem (Serial Gateway), USA Power Supply	\$450
(3) RS-232 Cable	See Note*	Cable, 8' coiled, RS-232 interface	
(4) Power Supply (not shown)	See Note*	Power Supply, Wall Mount, 90-264 VAC, +5VDC, 1.5A, USA plug	
User's Manuals, ESP Software	37-000001-01**	CD ROM, User's Manuals, ESP Software	\$30

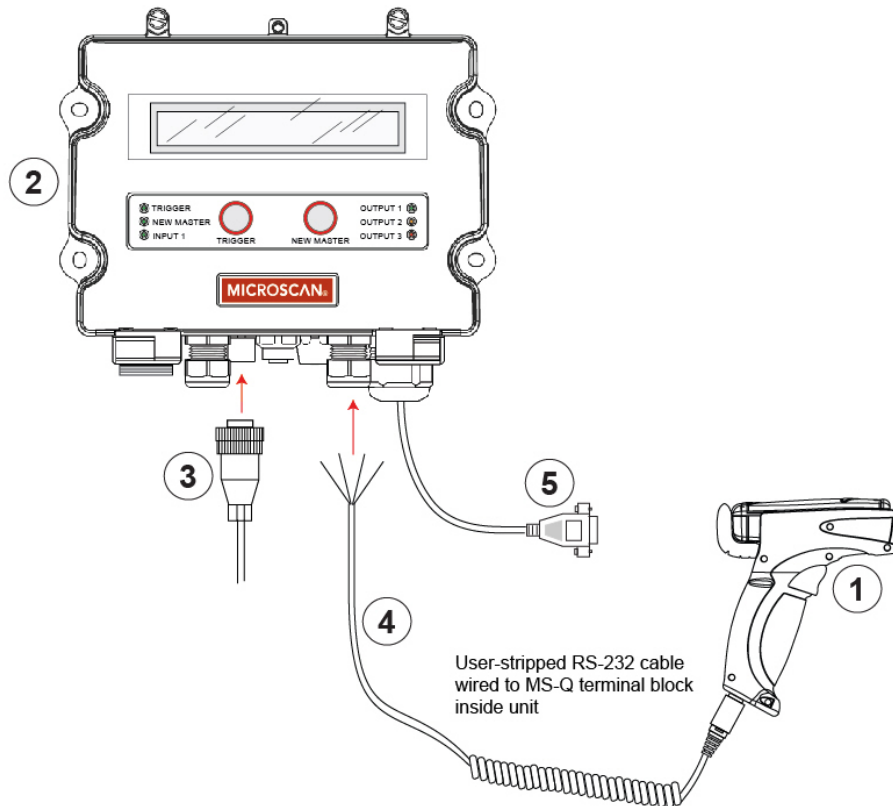
*Bluetooth Modem Kit includes RS-232 cable and power supply. There are three power supply options which have slight price differences.
 **1 free per order.

Tech Reference *MS-Q*

Stand Alone

with MS-Connect 210

This is the basic setup for a single MS-Q wired to the MS-Connect 210.



System Matrix

Product	Reference No.	Description	Price
(1) MS-Q Quadrus	FIS-6100-XXXXG	Handled, Imager, Quadrus Software	Varies
(2) MS-Connect 210	FIS-0210-000XG*	Connectivity Box	Varies
(3) Power Supply	97-100004-15	Power Supply, 90-264 VAC, 24VDC USA /Euro Plug	\$125
(4) Reader Cable	61-000066-02 ¹	MS-Q to MS-Connect 210 coiled cable, 15 ft	\$100
(5) Host Cable	61-000105-01**	Pre-stripped RS-232, 9-pin host cable	\$30
User's Manuals, ESP Software	37-000001-01***	CD ROM, User's Manuals, ESP Software	\$30

* See MS-Connect Series section for a complete listing of Accessories

** 1 free host cable is included with each MS-Connect 210

*** 1 free per order.

**** Refer to page 8 for a complete listing of support agreement options

Prices and Specifications Subject to Change

\$100 Minimum Order

Confidential Document

Tel: 425.226.5700
Fax: 425.226.8250

07-000001-01, Rev N

Page 71 of 106

www.microscan.com

Quadrus MINI Family of Imagers



Narrow-bar-width		Field of View (maximum)	Read Range (using auto-focus)	
1D	2D			
Ultra High Density				
0.0033 " (0.08 mm)	0.005 " (0.13 mm)	2.2 " (56 mm)	2.0 " to 4.4 " (51 mm to 112 mm)	
0.0075 " (0.19 mm)	0.010 " (0.25 mm)	3.6 " (91 mm)	1.8 " to 6.7 " (46 mm to 170 mm)	
0.015 " (0.38 mm)	0.020 " (0.51 mm)	4.0 " (102 mm)	1.9 " to 7.7 " (48 mm to 196 mm)	
High Density				
0.005 " (0.13 mm)	0.0075 " (0.19 mm)	3.1 " (79 mm)	1.5 " to 6.0 " (38 mm to 152 mm)	
0.0075 " (0.19 mm)	0.010 " (0.25 mm)	4.2 " (107 mm)	1.2 " to 7.0 " (30 mm to 178 mm)	
0.015 " (0.38 mm)	0.020 " (0.51 mm)	5.6 " (142 mm)	0.9 " to 9.0 " (23 mm to 229 mm)	
Standard Density				
0.005 " (0.13 mm)	0.0075 " (0.19 mm)	3.2 " (81 mm)	1.8 " to 3.5 " (46 mm to 89 mm)	
0.0075 " (0.19 mm)	0.010 " (0.25 mm)	4.2 " (107 mm)	1.6 " to 5.0 " (41 mm to 127 mm)	
0.010 " (0.25 mm)	0.015 " (0.38 mm)	6.8 " (173 mm)	1.4 " to 7.5 " (36 mm to 191 mm)	
0.020 " (0.51 mm)	0.030 " (0.76 mm)	9.5 " (241 mm)	1.0 " to 10.0 " (25 mm to 254 mm)	

Listed above is the read range chart for Quadrus MINI and MINI ESD Safe Imagers. See MINI 3 and Velocity section for additional specifications

Quadrus MINI Imagers		
Part Number	Description	List Price
FIS-6300-0007G	Megapixel Imager, Standard Density, Serial, 5VDC, Q Mode	\$2197
FIS-6300-0008G	Megapixel Imager, High Density, Serial, 5VDC, Q Mode	\$2197
FIS-6300-0009G	Megapixel Imager, Ultra High Density, Serial, 5VDC, Q Mode	\$2197
FIS-6300-0016G*	Megapixel Imager, Standard Density, USB+I/O, 5VDC, Q Mode	\$2275
FIS-6300-0017G*	Megapixel Imager, High Density, USB+I/O, 5VDC, Q Mode	\$2275
FIS-6300-0018G*	Megapixel Imager, Ultra High Density, USB+I/O, 5VDC, Q Mode	\$2275
FIS-6300-0019G	Megapixel Imager, Standard Density, Serial, 5VDC, OCR	\$2297
FIS-6300-0020G	Megapixel Imager, High Density, Serial, 5VDC, OCR	\$2297
FIS-6300-0021G	Megapixel Imager, Ultra High Density, Serial, 5VDC, OCR	\$2297
FIS-6300-0022G*	Megapixel Imager, Standard Density, USB+I/O, 5VDC, OCR	\$2375
FIS-6300-0023G*	Megapixel Imager, High Density, USB+I/O, 5VDC, OCR	\$2375
FIS-6300-0024G*	Megapixel Imager, Ultra High Density, USB+I/O, 5VDC, OCR	\$2375
FIS-6300-0001G	Megapixel Imager, Standard Density, Serial, 5VDC	\$2,092
FIS-6300-0002G	Megapixel Imager, High Density, Serial, 5VDC	\$2,092
FIS-6300-0003G	Megapixel Imager, Ultra High Density, Serial, 5VDC	\$2,092
FIS-6300-0013G*	Megapixel Imager, Standard Density, USB+I/O, 5VDC	\$2171
FIS-6300-0014G*	Megapixel Imager, High Density, USB+I/O, 5VDC	\$2171
FIS-6300-0015G*	Megapixel Imager, Ultra High Density, USB+I/O, 5VDC	\$2171

* Includes required power supply.

Quadrus MINI ESD Safe



Quadrus MINI ESD Safe Imagers

Part Number	Description	List Price
FIS-6300-1001G	Megapixel Imager, Standard Density, ESD Safe, RS-232/422/485, 5VDC	\$2,616
FIS-6300-1002G	Megapixel Imager, High Density, ESD Safe, RS-232/422/485, 5VDC	\$2,616
FIS-6300-1003G	Megapixel Imager, Ultra High Density, ESD Safe, RS-232/422/485, 5VDC	\$2,616
FIS-6300-1004G	Megapixel Imager, Standard Density, ESD Safe, USB, 5VDC	\$2,695
FIS-6300-1005G	Megapixel Imager, High Density, ESD Safe, USB, 5VDC	\$2,695
FIS-6300-1006G	Megapixel Imager, Ultra High Density, ESD Safe, USB, 5VDC	\$2,695

Quadrus MINI Velocity



Narrow-bar-width		Field of View (maximum)	Read Range (using autofocus)
1D	2D		
Ultra High Density			
.0033" (0.08 mm)	.005" (.13 mm)	1.1" (29 mm)	1.9 to 3.0" (48 mm to 76 mm)
.0005" (0.13 mm)	.075" (1.9 mm)	1.8" (45 mm)	1.8 to 5.0" (46 mm to 127 mm)
.010" (0.25 mm)	.015" (.38 mm)	2.5" (64 mm)	1.6 to 7.0" (41 mm to 178 mm)
Standard Density			
.005" (0.13 mm)	.0075" (.19 mm)	2.7" (69 mm)	1.7 to 3.4" (43 mm to 86 mm)
.0075" (0.19 mm)	.010" (.25 mm)	3.7" (93 mm)	1.6 to 5.0" (41 mm to 127mm)
.010" (0.25 mm)	.015" (.38 mm)	4.7" (118 mm)	1.4 to 8.0" (36 mm to 203 mm)
.020" (0.51 mm)	.030" (.76 mm)	5.3" (136 mm)	1.3 to 9.3" (33 mm to 236 mm)

Subject to change

Quadrus MINI Velocity Imagers

Part Number	Description	List Price
FIS-6300-3005G	Velocity, Standard Density, Serial, 5VDC, Q Mode	\$2511
FIS-6300-3006G	Velocity, Ultra High Density, Serial, 5VDC, Q Mode	\$2511
FIS-6300-3011G*	Velocity, Standard Density, USB+I/O, 5VDC, Q Mode	\$2590
FIS-6300-3012G*	Velocity, Ultra High Density, USB+I/O, 5VDC, Q Mode	\$2590
FIS-6300-3013G	Velocity, Standard Density, Serial, 5VDC, Q Mode, OCR	\$2611
FIS-6300-3014G	Velocity, Ultra High Density, Serial, 5VDC, Q Mode, OCR	\$2611
FIS-6300-3015G*	Velocity, Standard Density, USB+I/O, 5VDC, Q Mode, OCR	\$2690
FIS-6300-3016G*	Velocity, Ultra High Density, USB+I/O, 5VDC, Q Mode, OCR	\$2690
FIS-6300-3001G	Velocity, Standard Density, Serial, 5VDC	\$2407
FIS-6300-3002G	Velocity, Ultra High Density, Serial, 5VDC	\$2407
FIS-6300-3009G*	Velocity, Standard Density, USB+I/O, 5VDC	\$2485
FIS-6300-3010G*	Velocity, Ultra High Density, USB+I/O, 5VDC	\$2485

* Includes required power supply.

Quadrus MINI 3 Imager



Narrow-bar-width		Field of View (maximum)	Read Range (using autofocus)
1D	2D		
Micro Density			
.0028" (.07mm)	.0033" (.08 mm)	1.2" (30.4 mm)	1.9 to 2.0" (48.3 mm to 50.8 mm)
.0033" (.08 mm)	.005" (.13 mm)	3.0" (76.2 mm)	1.9 to 5.1" (48.3 mm to 129.5 mm)
.0075" (.19 mm)	.010" (.25 mm)	3.4" (86.4 mm)	1.7 to 5.6" (43.2 mm to 142.2 mm)
.015" (.38 mm)	.020" (.51 mm)	3.6" (91.4 mm)	1.7 to 6" (43.2 mm to 152.4 mm)
Standard Density			
.0033" (.08 mm)	.005" (.13 mm)	3.2" (81.3 mm)	1.9 to 3" (48 mm to 76.2 mm)
.005" (.13 mm)	.0075" (.19 mm)	5.0" (127 mm)	1.8 to 4.8" (46 mm to 121.9 mm)
.0075" (.19 mm)	.010" (.25 mm)	6.2" (157.5 mm)	1.6 to 6.5" (41 mm to 165.1 mm)
.010" (.25 mm)	.015" (.38 mm)	8.5" (215.9 mm)	1.4 to 8.5" (36 mm to 215.9 mm)
.020" (.51 mm)	.030" (.76 mm)	9.5" (241 mm)	1.0 to 10" (25 mm to 254 mm)

Quadrus MINI 3 Imagers

Part Number	Description	List Price
FIS-6300-2005G	3 Megapixel Imager, Standard Density, Serial, 5VDC, Q Mode	\$2,511
FIS-6300-2006G	3 Megapixel Imager, Micro Density, Serial, 5VDC, Q Mode	\$2,511
FIS-6300-2011G*	3 Megapixel Imager, Standard Density, USB+I/O, 5VDC, Q Mode	\$2,590
FIS-6300-2012G*	3 Megapixel Imager, Micro Density, USB+I/O, 5VDC, Q Mode	\$2,590
FIS-6300-2001G	3 Megapixel Imager, Standard Density, Serial, 5VDC	\$2,407
FIS-6300-2002G	3 Megapixel Imager, Micro Density, Serial, 5VDC	\$2,407
FIS-6300-2009G*	3 Megapixel Imager, Standard Density, USB+I/O, 5VDC	\$2,485
FIS-6300-2010G*	3 Megapixel Imager, Micro Density, USB+I/O, 5VDC	\$2,485

* Includes required power supply.

Quadrus MINI Imagers Continued

Accessories

Part Number	Description	List Price
FIS-0210-0001G	MS-Connect 210, Connectivity Box with Display	\$595
FIS-0210-0002G	MS-Connect 210, Connectivity Box	\$395
FIS-0210-0003G	MS-Connect 210, Connectivity Box with Display and Ethernet	\$795
FIS-0210-0004G	MS-Connect 210, Connectivity Box with Ethernet	\$595
61-000127-02	Cable, Quadrus MINI to MS-Connect 210, 6 ft	\$100
FIS-0001-0035G	IC-332, Connects MINI to IB-131 (Note: replaces IC-331, FIS-0001-0029)*	\$150
99-000018-01	IB-131, Interface Box	\$150
98-000039-02*	Kit, IB-152, DB25 Plug Terminal Block, DB25 Gender Changer	\$125
61-300026-03	Cable, Communication, DB-25 Plug to DB-9 Socket, 6 ft	\$30
61-100029-03	Cable, IB-131 Daisy Chain, 1 ft	\$30
20-500013-01* 1	DeviceNet Protocol Box	\$595
61-000011-02	Cable, MS-820 to IB-131 (also use for MS-3, 4, 9, 710 and MINI Extension)	\$30
61-000151-01	Cable, MINI USB, I/O Breakout, Flying Leads, 3ft	\$30
98-000098-01	Kit, Quadrus MINI Diffuser	\$50

* Works with IB-131. 1 Part is not RoHS compliant.

Power Supply

Part Number	Description	List Price
97-100004-15	Power Supply, 90-264 VAC,+24VDC, USA /Euro Plug (Only use with IC-332)	\$125

Mounting and Connectors

Part Number	Description	List Price
98-000048-01	Mounting Arm/Adapter Kit, 4 inch, Quadrus MINI	\$70
98-000054-01	Kit, Mounting Stand Base Plate, Quadrus MINI	\$30
98-000053-01	Extension Kit, 4 inch, Quadrus MINI	\$35
98-000053-02	Extension Kit, 3 inch, Quadrus MINI	\$35
98-000060-01	Kit, Bracket, Side Mount, Quadrus MINI	\$20
98-000059-01	Kit, Bracket, Angle Mount, Quadrus MINI	\$20
98-000057-01	Kit, Bracket, Through Hole Mount, Quadrus MINI	\$20
98-000088-01	Kit, Right Angle Mirror	\$50
20-610024-01	Trigger Connector for IB-131, 4-pin Plug	\$30
20-610020-01	Power Connector for IB-131, 3-pin Socket	\$30

Package Detector/Sensor

Part Number	Description	List Price
99-000017-01	Photo Sensor, Visible, NPN, Dark On	\$175
99-000017-02	Photo Sensor, Visible, NPN, Light On	\$175
99-000019-01	Photo Sensor, Visible, NPN, Light On, 5VDC	\$175

Software/Manuals

Part Number	Description	List Price
37-000001-01*	CD ROM, User's Manuals, ESP Software	\$30
37-000003-01**	CD ROM, EZ Trax Software	\$500

Prices and Specifications Subject to Change

\$100 Minimum Order

Confidential Document

Tel: 425.226.5700
Fax: 425.226.8250

07-000001-01, Rev N

Page 76 of 106

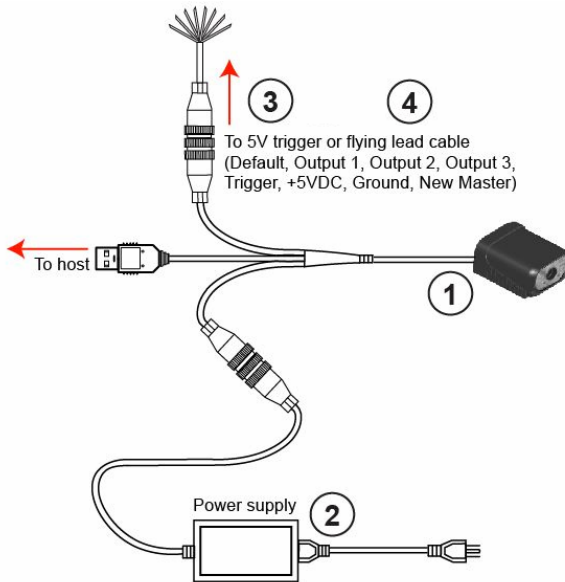
www.microscan.com

Tech Reference *Quadrus MINI*



USB

This is the basic setup for a single USB (Second Generation) Quadrus MINI.



System Matrix

Product	Reference No.	Description	Price
(1) Quadrus MINI	FIS-6300-XXXXG	MINI Imager, USB	Varies
(2) Power Supply	97-000002-01*	Power Supply , 90-264 VAC, +5VDC	Incl.
(3) 5v Object Detector	99-000019-01	Photo Sensor, Visible, NPN, Light On, 5VDC	\$175
(4) Flying Lead Cable	61-000151-01	Cable, MINI USB, I/O Breakout, Flying Leads, 3ft	\$30
Mounting Arm/Adapter Kit	98-000048-01	4" (102mm) Mounting Kit	\$70
Mounting Plate	98-000054-01	Mounting Stand Base Plate, Small	\$30
EZ Trax Software	37-000003-01	Image Capture and Storage Software	\$500
User's Manuals, ESP Software	37-000001-01**	CD ROM, User's Manuals, ESP Software	\$30
Support	COV-6300-NX**	24-hr Guarantee for Replacement Imager/1 yr. Term	\$300

*Required power supply included with each reader.

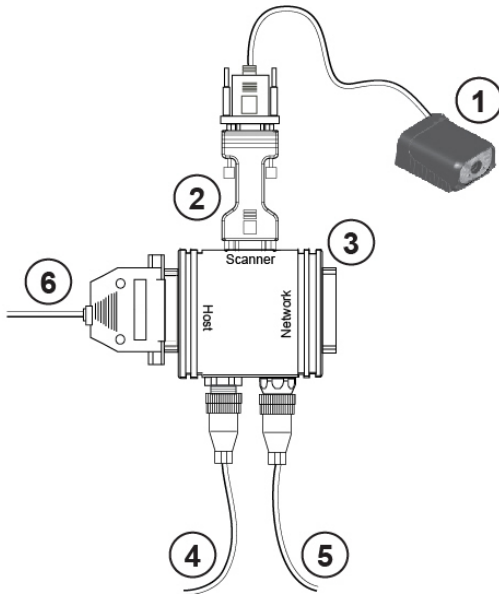
** 1 free per order.

Tech Reference *Quadrus MINI*



Stand Alone (10-28V)

This is the basic setup for a single Quadrus MINI.



System Matrix

Product	Reference No.	Description	Price
(1) Quadrus MINI	FIS-6300-XXXXG	MINI Imager Model	Varies
(2) IC-332	FIS-0001-0035G	Adapts a Quadrus MINI to an MS-9 Pinout, Converts the Voltage Level to 10-28, Allows Connection to IB-131	\$150
(3) IB-131	99-000018-01	Interface Box	\$150
(4) Power Supply	97-100004-15	Power Supply, 90-264 VAC, 24VDC USA /Euro Plug	\$125
(5) Object Detector (If applicable)	99-000017-01	Photo Sensor, Visible, NPN, DARK ON	\$175
(6) Communication Cable	61-300026-03	25-pin Plug to 9-pin Socket	\$30
Mounting Arm/Adapter Kit	98-000048-01	4" (102mm) Mounting Kit	\$70
Mounting Plate	98-000054-01	Mounting Stand Base Plate, Small	\$30
User's Manuals, ESP Software	37-000001-01*	CD ROM, User's Manuals, ESP Software	\$30
EZ Trax Software	37-000003-01	Image Capture and Storage Software	\$500
Support	COV-6300-NX**	24-hr Guarantee for Replacement Imager/1 yr. Term	\$300

* 1 free per order.

** Refer to page 8 for a complete listing of support agreement options.

Prices and Specifications Subject to Change

\$100 Minimum Order

Confidential Document

Tel: 425.226.5700
Fax: 425.226.8250

07-000001-01, Rev N

Page 78 of 106

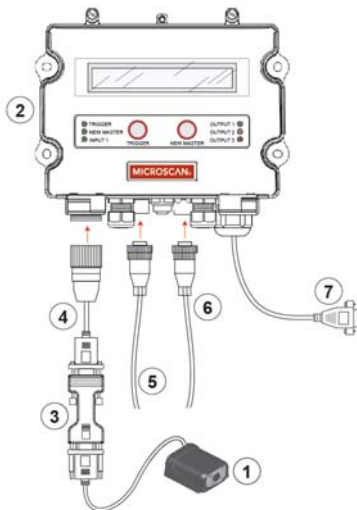
www.microscan.com

Tech Reference *Quadrus MINI*



Stand Alone (5V) with MS-Connect 210

This is the basic setup for a single Quadrus MINI and MS-Connect 210.



System Matrix

Product	Reference No.	Description	Price
(1) Quadrus MINI	FIS-6300-XXXXG	MINI Imager Models	Varies
(2) MS-Connect 210	FIS-0210-000XG*	Connectivity Box	Varies
(3) IC-332	FIS-0001-0035G	Converts the Voltage Level to 10-28 for the MS-3	\$150
(4) Reader Cable	61-000127-02	Cable, Quadrus MINI to MS-Connect 210, 6 ft	\$100
(5) Power Supply	97-100004-15	Power Supply, 90-264 VAC, 24VDC USA /Euro Plug	\$125
(6) Object Detector	99-000017-02	Photo Sensor, Visible, NPN, LIGHT ON	\$175
(7) Host Cable	61-000105-01**	Pre-stripped RS-232, 9-pin host cable	\$30
EZ Trax Software	37-000003-01	Image Capture and Storage Software	\$500
User's Manuals, ESP Software	37-000001-01***	CD ROM, User's Manuals, ESP Software	\$30
Support	COV-6300-NX****	24-hr Guarantee for Replacement Scanner/1 yr. Term	\$300

*See MS-Connect Series section for a complete listing of Accessories

** 1 free host cable is included with each MS-Connect 210

*** 1 free per order.

**** Refer to page 8 for a complete listing of support agreement options

Prices and Specifications Subject to Change

\$100 Minimum Order

07-000001-01, Rev N

Confidential Document

Tel: 425.226.5700
Fax: 425.226.8250

www.microscan.com

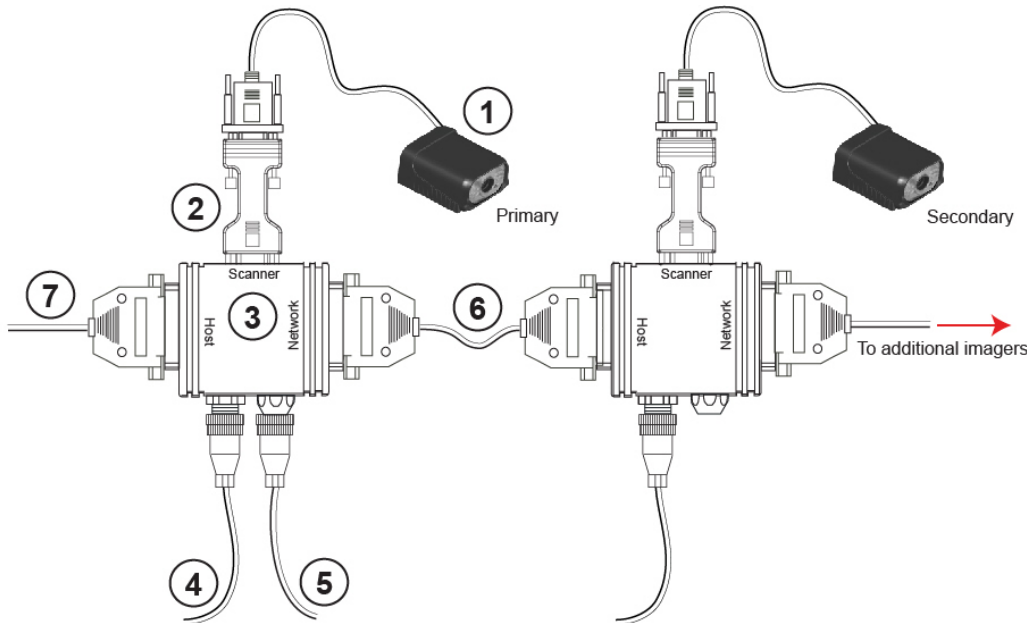
Page 79 of 106

Tech Reference *Quadrus MINI*



Daisy Chain

A primary imager is linked directly to the host. Secondary imagers (up to 9) are linked in tandem. Data is sent from the primary imager directly to the host.



System Matrix

Product	Reference No.	Description	Price
(1) Quadrus MINI	FIS-6300-XXXXG	MINI Imager Models	Varies
(2) IC-332	FIS-0001-0035G	Adapts a Quadrus MINI to an MS-9 Pinout, Converts the Voltage Level to 10-28, Allows Connection to IB-131	\$150
(3) IB-131	99-000018-01	Interface Box	\$150
(4) Power Supply	97-100004-15	Power Supply, 90-264 VAC, 24VDC USA /Euro Plug	\$125
(5) Object Detector (If applicable)	99-000017-01	Photo Sensor, Visible, NPN, DARK ON	\$175
(6) Daisy Chain Trunk Cable	61-100029-03	IB-131 to IB-131, 1 ft (0.3 meters)	\$30
(7) Communication Cable	61-300026-03	IB-131 to Host (PC), 6 ft	\$30
Mounting Arm/Adapter Kit	98-000048-01	4" (102mm) Mounting Kit	\$70
Mounting Plate	98-000054-01	Mounting Stand Base Plate, Small	\$30
EZ Trax Software	37-000003-01	Image Capture and Storage Software	\$500
User's Manuals, ESP Software	37-000001-01*	CD ROM, User's Manuals, ESP Software	\$30
Support	COV-6300-NX**	24-hr Guarantee for Replacement Imager/1 yr. Term	\$200

* 1 free per order.

** Refer to page 8 for a complete listing of support agreement options.

Prices and Specifications Subject to Change

\$100 Minimum Order

Confidential Document

Tel: 425.226.5700
Fax: 425.226.8250

07-000001-01, Rev N

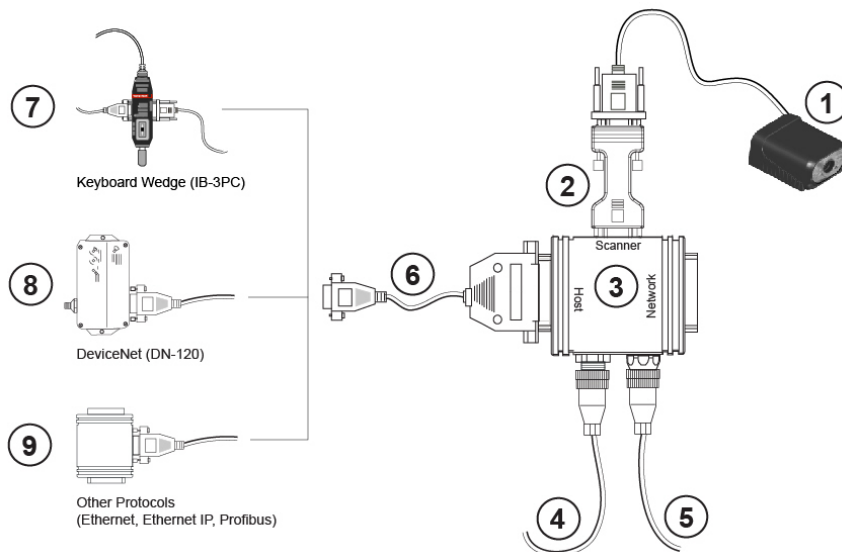
Page 80 of 106

www.microscan.com

Tech Reference *Quadrus MINI*



Optional Interface Protocols



System Matrix

Product	Reference No.	Description	Price
(1) Quadrus MINI	FIS-6300-XXXXG	MINI Imager Model	Varies
(2) IC-332	FIS-0001-0035G	Adapts a Quadrus MINI to an MS-9 Pinout, Converts the Voltage Level to 10-28, Allows Connection to IB-131	\$150
(3) IB-131	99-000018-01	Interface Box	\$150
(4) Power Supply	97-100004-15	Power Supply, 90-264 VAC, 24VDC USA /Euro Plug	\$125
(5) Object Detector (If applicable)	99-000017-01	Photo Sensor, Visible, NPN, DARK ON	\$175
(6) Communication Cable	61-300026-03	25-pin Plug to 9-pin Socket	\$30
(7) IB-3PC****	FIS-0001-0030G	Keyboard Wedge PC Interface	\$100
(8) DN-120	20-500013-01 ¹	DeviceNet Protocol Box	\$595
(9) Other Protocols (Ethernet, EtherNet/IP, Profibus)	Third Party	Ask your Microscan sales representative which solution is appropriate for your application.	Varies
Mounting Arm/Adapter Kit	98-000048-01	4" (102mm) Mounting Kit	\$70
Mounting Plate	98-000054-01	Mounting Stand Base Plate, Small	\$30
EZ Trax Software	37-000003-01	Image Capture and Storage Software	\$500
User's Manuals, ESP Software	37-000001-01*	CD ROM, User's Manuals, ESP Software	\$30
Support	COV-6300-NX**	24-hr Guarantee for Replacement Scanner/1 yr. Term	\$200

* 1 free per order.

** Refer to page 8 for a complete listing of support agreement options.

*** Pin Converter is not required for this configuration.

****Set the IB-3PC to **position 2** in this configuration.

¹ Part is not RoHS compliant.

Prices and Specifications Subject to Change

\$100 Minimum Order

Confidential Document

Tel: 425.226.5700
Fax: 425.226.8250

07-000001-01, Rev N

Page 81 of 106

www.microscan.com

Quadrus EZ Family of Imagers

Focusable Read Ranges * (reading data matrix symbols)				
	Focal Point	Min. Symbol	Depth of Field	Field of View
Narrow				
Default	4" (102mm)	5 mil (.127mm)	.2" (5mm)	.44" (11mm)
Inside edge	3.5" (89mm)	5 mil (.127mm)	.2" (5mm)	.33" (8mm)
Outside edge	5" (127mm)	7.5 mil (.19mm)	.4" (10mm)	.65" (16mm)
Medium				
Default	4" (102mm)	7.5 mil (.19mm)	.5" (13mm)	.77" (20mm)
Inside edge	2.3" (58mm)	5 mil (.127 mm)	.1" (2.5mm)	.44" (11mm)
Outside edge	10" (254mm)	20 mil (.508mm)	4.2" (107mm)	1.8" (45mm)
Wide				
Default	4" (102mm)	10 mil (.254mm)	1" (25mm)	.9" (24mm)
Inside edge	2" (51mm)	5 mil (.127mm)	.1" (2.5mm)	.5" (12mm)
Outside edge	10" (254mm)	20 mil (.508mm)	4.8" (122mm)	2.2" (55mm)
Extra Wide				
Default	4" (102mm)	15 mil (.381mm)	1.4" (36mm)	1.8" (47mm)
Inside edge	2.5" (64mm)	15 mil (.381mm)	.6" (15mm)	1.3" (32mm)
Outside edge	10" (254mm)	40 mil (1.02mm)	6.8" (173mm)	4.2" (106mm)

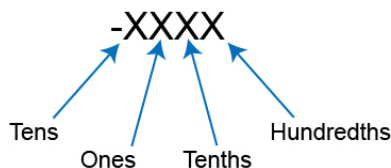


Quadrus EZ Imagers *, **		
Part Number	Description	List Price
FIS-6700-0001G-XXXX	Quadrus EZ, CCD, Narrow, RS-232/422/485	\$3141
FIS-6700-0002G-XXXX	Quadrus EZ, CCD, Medium, RS-232/422/485	\$3141
FIS-6700-0003G-XXXX	Quadrus EZ, CCD, Wide, RS-232/422/485	\$3141
FIS-6700-0004G-XXXX	Quadrus EZ, CCD, Extra Wide, RS-232/422/485	\$3141
FIS-6700-0005G-XXXX	Quadrus EZ, CCD, Narrow, RS-232/422/485, Video I/O	\$3350
FIS-6700-0006G-XXXX	Quadrus EZ, CCD, Medium, RS-232/422/485, Video I/O	\$3350
FIS-6700-0007G-XXXX	Quadrus EZ, CCD, Wide, RS-232/422/485, Video I/O	\$3350
FIS-6700-0008G-XXXX	Quadrus EZ, CCD, Extra Wide, RS-232/422/485, Video I/O	\$3350
FIS-6700-0009G-XXXX	Quadrus EZ, CCD, Narrow, Ethernet	\$3141
FIS-6700-0010G-XXXX	Quadrus EZ, CCD, Medium, Ethernet	\$3141
FIS-6700-0011G-XXXX	Quadrus EZ, CCD, Wide, Ethernet	\$3141
FIS-6700-0012G-XXXX	Quadrus EZ, CCD, Extra Wide, Ethernet	\$3141
FIS-6700-0013G-XXXX	Quadrus EZ, CCD, Narrow, Ethernet, Video I/O	\$3350
FIS-6700-0014G-XXXX	Quadrus EZ, CCD, Medium, Ethernet, Video I/O	\$3350
FIS-6700-0015G-XXXX	Quadrus EZ, CCD, Wide, Ethernet, Video I/O	\$3350
FIS-6700-0016G-XXXX	Quadrus EZ, CCD, Extra Wide, Ethernet, Video I/O	\$3350

* **NOTE:** Customer must specify focal distance when ordering.

** Focal point must be specified on purchase order. See the "Quadrus EZ Focus Options" chart for focal options.

The following diagram is a guideline for calling out the focal point:



Example:

A focal distance of 4 inches = FIS-6700-0010-0400

A focal distance of 3.75 inches = FIS-6700-0010-0375

Prices and Specifications Subject to Change

\$100 Minimum Order

Confidential Document

Tel: 425.226.5700
Fax: 425.226.8250

07-000001-01, Rev N

Page 82 of 106

www.microscan.com

Quadrus EZ Direct Part Mark Imager

Quadrus EZ DPM

The Quadrus EZ DPM Imager is optimized for low contrast direct part mark reading. The even illumination from the light diffuser and unique LED array allow easy decoding of dot peen, laser etch, and chemical etch symbols on metal, plastic, rubber and glass.

The Quadrus EZ DPM is a new option for our existing Quadrus EZ product.

Please refer to the chart on the previous page for specific focal distance and field of view. Contact your Regional Sales Manager for information on additional configurations.



Quadrus EZ DPM Imagers *

Part Number	Description	List Price
FIS-6700-0414G-XXXX	Quadrus EZ DPM, CCD, Medium, Ethernet, Video I/O	\$3350
FIS-6700-0415G-XXXX	Quadrus EZ DPM, CCD, Wide, Ethernet, Video I/O	\$3350

*, ** See previous page.

Quadrus EZ FLEX

Quadrus EZ FLEX

Quadrus EZ FLEX is a new product based off the Quadrus EZ that uses standard C-Mount lens and external illumination to meet varied application requirements.

Please refer to the chart on the previous page for specific focal distance and field of view. Contact your Regional Sales Manager for information on additional configurations.



Quadrus EZ FLEX

Part Number	Description	List Price
FIS-6700-2001G	Quadrus EZ FLEX, Camera Only, Ethernet, Video I/O	\$2795

Accessories

Part Number	Description	List Price
FIS-0210-0001G	MS-Connect 210, Connectivity Box with Display	\$595
FIS-0210-0002G	MS-Connect 210, Connectivity Box	\$395
FIS-0210-0003G	MS-Connect 210, Connectivity Box with Display and Ethernet	\$795
FIS-0210-0004G	MS-Connect 210, Connectivity Box with Ethernet	\$595
61-000122-01	Cable, To MS-Connect 210, Host RS-422/485 for Multidrop, 6 ft	\$100
61-000123-01	Cable, To MS-Connect 210, Host/AUX RS-232, for Daisy Chain 210 to 210, 6 ft	\$100
61-000124-01	Cable, Quadrus EZ with onboard Ethernet to MS-Connect 210, 6 ft	\$100
98-000096-01	Kit, Monitor 7" TFT LCD and Video I/O Cable, 10 feet	\$645
98-000040-02	Interface Box Kit, IB-150 and Quadrus EZ Cable, 6 feet	\$175
99-000009-02	Interconnectivity, IB-151, RS-232 - Ethernet TCP/IP	\$100
98-000039-02	Kit, IB-152, DB25 Plug Terminal Block, DB25 Gender Changer	\$125
FIS-0001-0030G	IB-3PC Keyboard Wedge/Interface Box	\$100
61-000034-02	Cable, Comm/Serial , DB25 Socket to DB9 Socket, 6 feet	\$30
61-000033-02	Cable, Video I/O, 10 feet	\$30
61-100029-03	Cable, Daisy Chain, 1 ft	\$30
61-000040-01	Cable, Crossover, Ethernet, Cat 5, 10 ft	\$30
20-500013-01 ¹	DeviceNet Protocol Box	\$595
98-000036-01	Kit, Right Angle-Up Mirror	\$75
98-000035-04	Quadrus EZ Demo Kit (hard case)	\$1,370
98-000080-01	Kit, YAG Filter	\$250
98-000051-01	IC-3USB, USB Conversion Kit	\$75
98-000100-01	Kit, Micro Density, Camera Lens and Illumination, Quadrus EZ FLEX	\$1095
98-000100-02	Kit, General Purpose, Camera Lens and Illumination, Quadrus EZ FLEX	\$1095

¹ Part is not RoHS compliant.

Quadrus EZ Imager Continued

Power Supply

Part Number	Description	List Price
97-100004-15	Power Supply, 90-264 VAC, 24VDC, USA /Euro Plug	\$125

Mounting and Connectors

Part Number	Description	List Price
98-000020-01	Mounting Arm/Adapter Kit, Quadrus EZ, 6 inch	\$90
98-000037-01	Extension Kit, All Scanners', 6 inch	\$55
98-000054-01	Kit, Mounting Stand Base Plate, Small	\$30
98-000046-01	Kit, Base plate	\$40
20-610024-01	Trigger Connector, 4-pin Plug (for self-wiring)	\$30
20-610020-01	Power Connector, 3-pin Socket (for self-wiring)	\$30

Package Detector/Sensor

Part Number	Description	List Price
99-000017-01	Photo Sensor, Visible, NPN, DARK ON	\$175
99-000017-02	Photo Sensor, Visible, NPN, LIGHT ON	\$175

Prices and Specifications Subject to Change

\$100 Minimum Order

Confidential Document

Tel: 425.226.5700
Fax: 425.226.8250

07-000001-01, Rev N

Page 84 of 106

www.microscan.com

Software / Manuals

Part Number	Description	List Price
37-000001-01*	CD ROM, User's Manuals, ESP Software	\$30
37-000003-01**	CD ROM, EZ Trax Software	\$500

* 1 free per order., ** EZ Trax is an accessory.

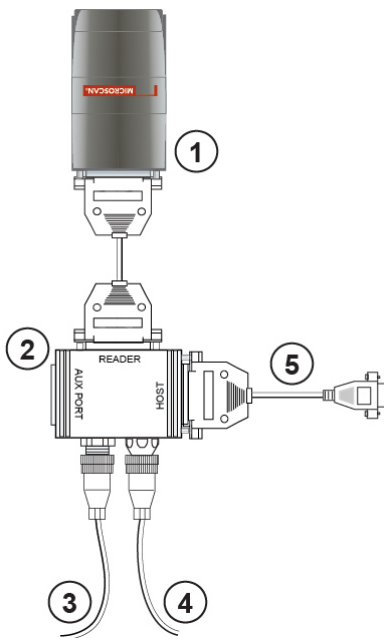
Quadrus EZ Focus Options

Focal Distance		Field of View		Depth of Field		Symbol Element Size	
Inches	mm	Inches	mm	Inches	mm	Inches	mm
Narrow Lens							
3.50	88.9	0.33	8.4	0.20	5.1	0.0050	0.127
3.75	95.3	0.39	9.9	0.20	5.1	0.0050	0.127
4.00	101.6	0.44	11.2	0.20	5.1	0.0050	0.127
4.25	108.0	0.49	12.4	0.20	5.1	0.0050	0.127
4.50	114.3	0.55	14.0	0.20	5.1	0.0050	0.127
4.75	120.7	0.59	15.0	0.40	10.2	0.0075	0.191
5.00	127.0	0.65	16.5	0.40	10.2	0.0075	0.191
Medium Lens							
2.25	57.2	0.44	11.2	0.10	2.5	0.0050	0.127
3.00	76.2	0.59	15.0	0.50	12.7	0.0075	0.191
3.50	88.9	0.68	17.3	0.50	12.7	0.0075	0.191
4.00	101.6	0.77	19.6	0.50	12.7	0.0075	0.191
5.00	127.0	0.94	23.9	1.00	25.4	0.0100	0.254
6.00	152.4	1.12	28.4	1.00	25.4	0.0100	0.254
7.00	177.8	1.30	33.0	2.20	55.9	0.0150	0.381
8.00	203.2	1.49	37.8	2.50	63.5	0.0150	0.381
9.00	228.6	1.63	41.4	2.60	66.0	0.0150	0.381
10.00	254.0	1.78	45.2	4.20	106.7	0.0200	0.508
Wide Lens							
2.00	50.8	0.49	12.4	0.10	2.5	0.0050	0.127
3.00	76.2	0.72	18.3	0.50	12.7	0.0075	0.191
4.00	101.6	0.93	23.6	1.00	25.4	0.0100	0.254
5.00	127.0	1.13	28.7	2.00	50.8	0.0150	0.381
6.00	152.4	1.35	34.3	2.20	55.9	0.0150	0.381
7.00	177.8	1.56	39.6	2.80	71.1	0.0150	0.381
8.00	203.2	1.76	44.7	4.20	106.7	0.0200	0.508
9.00	228.6	1.96	49.8	4.20	106.7	0.0200	0.508
10.00	254.0	2.17	55.1	4.80	121.9	0.0200	0.508
Extra Wide Lens (for 2D symbols)							
2.50	63.5	1.26	32.0	1.00	25.4	0.0150	0.381
3.00	76.2	1.45	36.8	1.00	25.4	0.0150	0.381
4.00	101.6	1.84	46.7	1.00	25.4	0.0150	0.381
5.00	127.0	2.22	56.4	2.00	50.8	0.0200	0.508
6.00	152.4	2.58	65.5	3.60	91.4	0.0300	0.762
7.00	177.8	2.94	74.7	4.20	106.7	0.0300	0.762
8.00	203.2	3.33	84.6	4.20	106.7	0.0300	0.762
9.00	228.6	3.70	94.0	5.80	147.3	0.0400	0.1016
10.00	254.0	4.18	106.2	6.00	152.4	0.0400	0.1016
Extra Wide Linear Lens (for linear symbols)							
2.50	63.5	1.26	32.0	0.60	15.2	0.0075	0.191
3.00	76.2	1.45	36.8	1.10	27.9	0.0100	0.254
4.00	101.6	1.84	46.7	1.40	35.6	0.0100	0.254
5.00	127.0	2.20	55.9	2.80	71.1	0.0150	0.381
6.00	152.4	2.60	66.0	3.00	76.2	0.0150	0.381
7.00	177.8	2.96	75.2	3.80	96.5	0.0200	0.508
8.00	203.2	3.33	84.6	3.80	96.5	0.0200	0.508
9.00	228.6	3.73	94.7	5.00	127.0	0.0200	0.508
10.00	254.0	4.14	105.2	6.80	172.7	0.0300	0.762

Tech Reference *Quadrus EZ*

Stand Alone

A single reader is connected directly to the host. This is the basic setup for a single Quadrus EZ.



System Matrix

Product	Reference No.	Description	Price
(1) Quadrus EZ	FIS-6700-XXXXG	Quadrus EZ Reader	Varies
(2) IB-150 Kit	98-000040-02	IB-150 Interface and Reader Cable, 6 feet	\$175
(3) Power Supply	97-100004-15	Power Supply, 90-264 VAC, 24VDC USA /Euro Plug	\$125
(4) Object Detector (If applicable)	99-000017-01	Photo Sensor, Visible, NPN, DARK ON	\$175
(5) IB-150 Host Cable	61-000034-02	Cable, 25 pin Socket to 9 pin Socket	\$30
Quadrus EZ Stand	98-000020-01	6 inch (152 mm) Mounting/Adapter Kit	\$90
Mounting Plate	98-000054-01	Mounting Stand Base Plate, Small	\$30
EZ Trax Software	37-000003-01	Image Capture and Storage Software	\$500
User's Manuals, ESP Software	37-000001-01*	CD ROM, User's Manuals, ESP Software	\$30
Support	COV-6700-NX**	24-hr Guarantee for Replacement Scanner/1yr. Term	\$400

* 1 free per order.

** Refer to page 8 for a complete listing of support agreement options.

Prices and Specifications Subject to Change

\$100 Minimum Order

Confidential Document

Tel: 425.226.5700
Fax: 425.226.8250

07-000001-01, Rev N

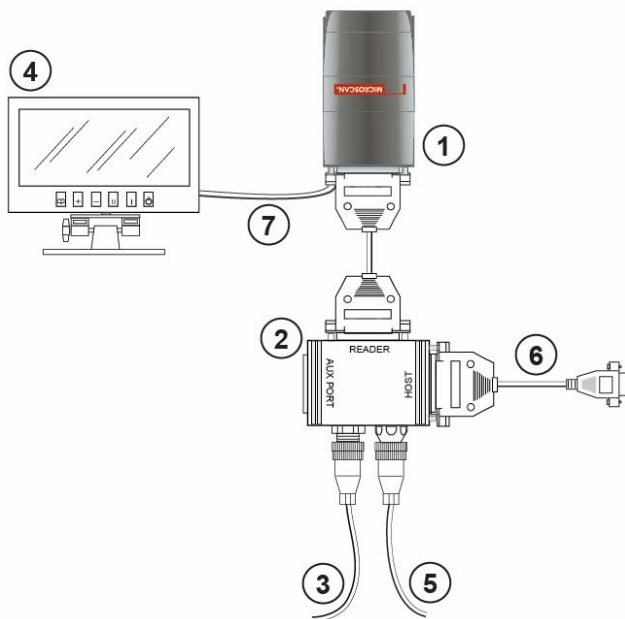
Page 87 of 106

www.microscan.com

Tech Reference *Quadrus EZ*

Stand Alone with Monitor

A single reader is connected directly to the host with optional external Monitor (110 VAC only).



System Matrix

Product	Reference No.	Description	Price
(1) Quadrus EZ	FIS-6700-XXXXG	Quadrus EZ Reader (Video I/O option)	Varies
(2) IB-150 Kit	98-000040-02	IB-150 Interface and Reader Cable, 6 feet	\$175
(3) Power Supply	97-100004-15	Power Supply, 90-264 VAC, 24VDC USA /Euro Plug	\$125
(4) Monitor	98-000096-01	Kit, Monitor 7" TFT LCD and Video I/O Cable, 10 feet	\$645
(5) Object Detector (If applicable)	99-000017-01	Photo Sensor, Visible, NPN, DARK ON	\$175
(6) IB-150 Host Cable	61-000034-02	Cable, 25 pin Socket to 9 pin Socket, 6 feet	\$30
(7) Video Cable	61-000033-02	Video I/O Cable, 10 feet	\$30
Quadrus EZ Stand	98-000020-01	6 inch (152 mm) Mounting/Adapter Kit	\$90
Mounting Plate	98-000054-01	Mounting Stand Base Plate, Small	\$30
EZ Trax Software	37-000003-01	Image Capture and Storage Software	\$500
User's Manuals, ESP Software	37-000001-01*	CD ROM, User's Manuals, ESP Software	\$30
Support	COV-6700-NX**	24-hr Guarantee for Replacement Scanner/1yr. Term	\$400

* 1 free per order.

** Refer to page 8 for a complete listing of support agreement options.

Prices and Specifications Subject to Change

\$100 Minimum Order

Confidential Document

Tel: 425.226.5700
Fax: 425.226.8250

07-000001-01, Rev N

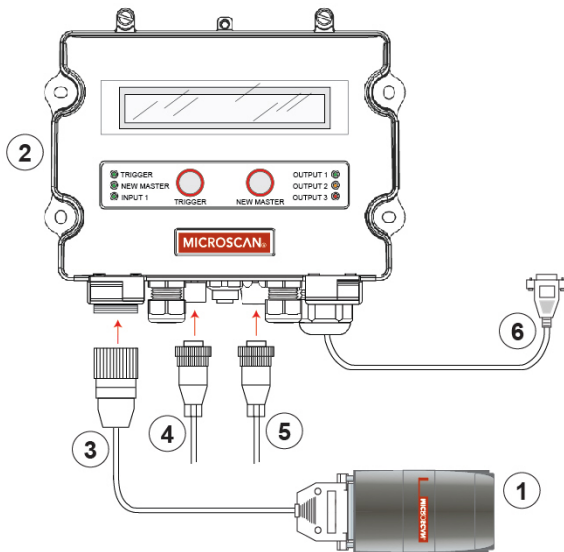
Page 88 of 106

www.microscan.com

Tech Reference *Quadrus EZ*

Stand Alone with MS-Connect 210

This is the basic setup for a single Quadrus EZ and MS-Connect 210.



System Matrix

Product	Reference No.	Description	Price
(1) Quadrus EZ	FIS-6700-XXXXG	Quadrus EZ Reader	Varies
(2) MS-Connect 210	FIS-0210-000XG*	Connectivity Box	Varies
(3) Reader Cable	61-000122-01†	Cable, To MS-Connect 210, Host RS-422/485 for Multidrop, 6 ft	\$100
(4) Power Supply	97-100004-15	Power Supply, 90-264 VAC, 24VDC USA /Euro Plug	\$125
(5) Object Detector	99-000017-02	Photo Sensor, Visible, NPN, LIGHT ON	\$175
(6) Host Cable	61-000105-01**	Pre-stripped RS-232, 9-pin host cable	\$30
EZ Trax Software	37-000003-01	Image Capture and Storage Software	\$500
User's Manuals, ESP Software	37-000001-01***	CD ROM, User's Manuals, ESP Software	\$30
Support	COV-6700-NX****	24-hr Guarantee for Replacement Scanner/1 yr. Term	\$400

* See MS-Connect Series section for a complete listing of Accessories

** 1 free host cable is included with each MS-Connect 210

*** 1 free per order.

**** Refer to page 8 for a complete listing of support agreement options

† Choose one cable.

Prices and Specifications Subject to Change

\$100 Minimum Order

07-000001-01, Rev N

Confidential Document

Tel: 425.226.5700
Fax: 425.226.8250

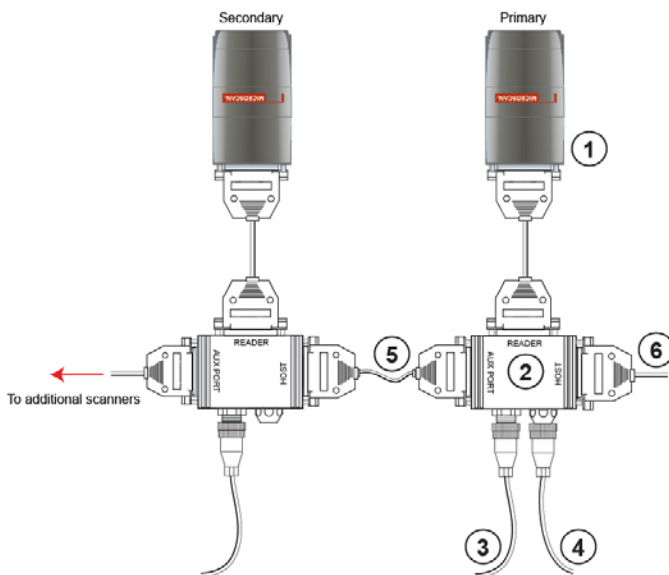
www.microscan.com

Page 89 of 106

Tech Reference *Quadrus EZ*

Daisy Chain

A primary reader is linked directly to the host. Secondary readers (up to 9) are linked in tandem. data is sent from each reader directly to the host.



System Matrix

Product	Reference No.	Description	Price
(1) Quadrus EZ	FIS-6700-XXXXG	Quadrus EZ Reader (Up to 10)	Varies
(2) IB-150 Kit	98-000040-02	IB-150 Interface and Reader Cable, 6 feet	\$175
(3) Power Supply	97-100004-15	Power Supply, 90-264 VAC, 24VDC USA /Euro Plug	\$125
(4) Object Detector (If applicable)	99-000017-01	Photo Sensor, Visible, NPN, DARK ON	\$175
(5) Daisy Chain Cable	61-100029-03	Cable, Connects IB-150 to IB-150, 1 ft (.3 meters)	\$30
(6) IB-150 Host Cable	61-000034-02***	Cable, 25 pin Socket to 9 pin Socket, 6 feet	\$30
Quadrus EZ Stand	98-000020-01	6 inch (152 mm) Mounting/Adapter Kit	\$90
Mounting Plate	98-000054-01	Mounting Stand Base Plate, Small	\$30
EZ Trax Software	37-000003-01	Image Capture and Storage Software	\$500
User's Manuals, ESP Software	37-000001-01*	CD ROM, User's Manuals, ESP Software	\$30
Support	COV-6700-NX**	24-hr Guarantee for Replacement Scanner/1yr. Term	\$400

* 1 free per order.

** Refer to page 8 for a complete listing of support agreement options.

*** If using another communications cable, make sure it does not have RTS/CTS connected to the host.

Prices and Specifications Subject to Change

\$100 Minimum Order

Confidential Document

Tel: 425.226.5700
Fax: 425.226.8250

07-000001-01, Rev N

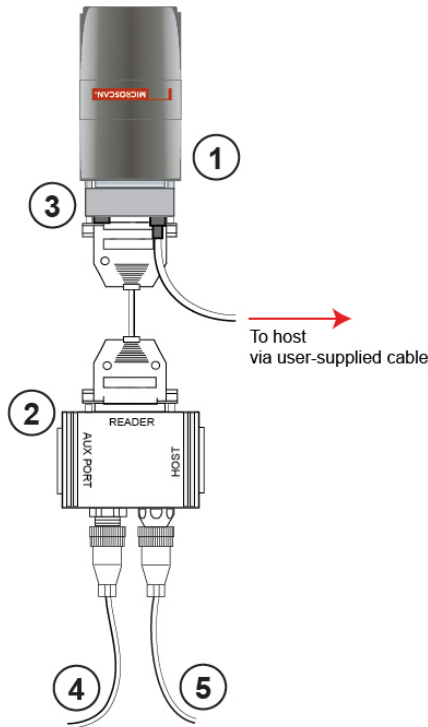
Page 90 of 106

www.microscan.com

Tech Reference *Quadrus EZ*

Ethernet

The reader communicates with the host using an Ethernet connection.



System Matrix

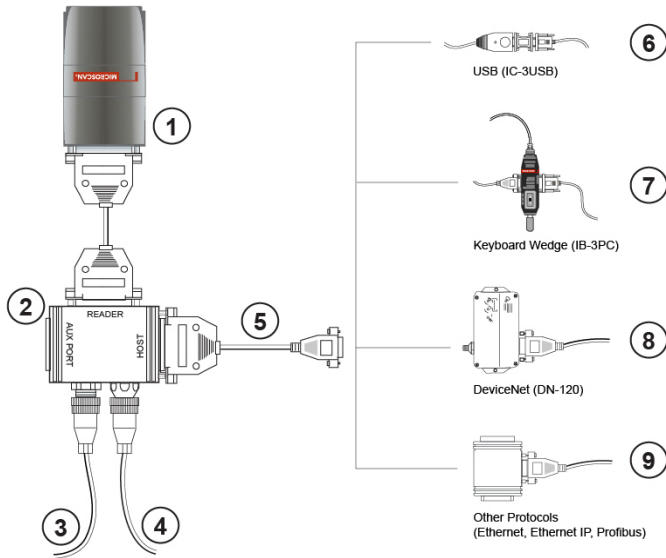
Product	Reference No.	Description	Price
(1) Quadrus EZ	FIS-6700-XXXXG	Quadrus EZ Reader (Up to 10)	Varies
(2) IB-150 Kit	98-000040-02	IB-150 Interface and Reader Cable, 6 feet	\$175
(3) IB-151 Kit	99-000009-02	Interconnectivity, IB-151, RS-232 - Ethernet TCP/IP	\$100
(4) Power Supply	97-100004-15	Power Supply, 90-264 VAC, 24VDC USA /Euro Plug	\$125
(5) Object Detector (If applicable)	99-000017-01	Photo Sensor, Visible, NPN, DARK ON	\$175
Quadrus EZ Stand	98-000020-01	6 inch (152 mm) Mounting Arm/Adapter Kit	\$90
Mounting Plate	98-000054-01	Mounting Stand Base Plate, Small	\$30
EZ Trax Software	37-000003-01	Image Capture and Storage Software	\$500
User's Manuals, ESP Software	37-000001-01*	CD ROM, User's Manuals, ESP Software	\$30
Support	COV-6700-NX**	24-hr Guarantee for Replacement Scanner/1yr. Term	\$400

* 1 free per order.

** Refer to page 8 for a complete listing of support agreement options.

Tech Reference *Quadrus EZ*

Optional Interface Protocols



System Matrix

Product	Reference No.	Description	Price
(1) Quadrus EZ	FIS-6700-XXXXG	Quadrus EZ Reader	Varies
(2) IB-150 Kit	98-000040-02	IB-150 Interface and Reader Cable, 6 feet	\$175
(3) Power Supply	97-100004-15	Power Supply, 90-264 VAC, 24VDC, USA /Euro Plug	\$125
(4) Object Detector (If applicable)	99-000017-01	Photo Sensor, Visible, NPN, DARK ON	\$175
(5) Communication Cable	61-000034-02	25pin D-sub Plug to 9pin D-sub Socket, 6 ft	\$30
(6) IC-3USB***	98-000051-01	USB Conversion Kit	\$75
(7) IB-3PC****	FIS-0001-0030G	Keyboard Wedge PC Interface	\$100
(8) DN-120	20-500013-01 ¹	DeviceNet Protocol Box	\$595
(9) Other Protocols (Ethernet, EtherNet/IP, Profibus)	Third Party	Ask your Microscan sales representative which solution is appropriate for your application.	Various
IB-151 Kit	99-000009-02	Interconnectivity, IB-151, RS-232 - Ethernet TCP/IP	\$100
Quadrus EZ Stand	98-000020-01	6 inch (152 mm) Mounting/Adapter Kit	\$90
Mounting Plate	98-000054-01	Mounting Stand Base Plate, Small	\$30
EZ Trax Software	37-000003-01	Image Capture and Storage Software	\$500
User's Manuals, ESP Software	37-000001-01*	CD ROM, User's Manuals, ESP Software	\$30
Support	COV-6700-NX**	24-hr Guarantee for Replacement Scanner/1yr. Term	\$400

* 1 free per order.

** Refer to page 8 for a complete listing.

*** Pin Converter is not required for this configuration.

****Set the IB-3PC to **position 2** in this configuration.

¹ Part is not RoHS compliant.

Prices and Specifications Subject to Change

\$100 Minimum Order

Confidential Document

Tel: 425.226.5700
Fax: 425.226.8250

07-000001-01, Rev N

Page 92 of 106

www.microscan.com

Quadrus Verifier - Production-Ready Data Matrix Verifier



FOV / Element Size Chart

Model	FOV – inch (mm)	Minimum Element Size
FIS-6700-1000G	.49 x .37 (12.5 x 9.4mm)	.0075 (0.19mm)
FIS-6700-1001G	.66 x .5 (16.8 x 12.7mm)	.010 (0.25mm)
FIS-6700-1002G	.82 x .62 (20.8 x 15.7mm)	.0125 (0.32mm)
FIS-6700-1003G	.98 x .74 (24.9 x 18.8mm)	.015 (0.38mm)
FIS-6700-1004G	1.31 x .99 (33.3 x 25.2mm)	.020 (0.51mm)

Verifiers *

Part Number	Description	List Price
FIS-6700-1000G	Verifier, DataMatrix, CCD, FOV .49 x .37 (12.5 x 9.4mm), RS-232/Ethernet	\$8,384
FIS-6700-1001G	Verifier, DataMatrix, CCD, FOV .66 x .5 (16.8 x 12.7mm), RS-232/Ethernet	\$8,384
FIS-6700-1002G	Verifier, DataMatrix, CCD, FOV .82 x .62 (20.8 x 15.7mm), RS-232/Ethernet	\$8,384
FIS-6700-1003G	Verifier, DataMatrix, CCD, FOV .98 x .74 (24.9 x 18.8mm), RS-232/Ethernet	\$8,384
FIS-6700-1004G	Verifier, DataMatrix, CCD, FOV 1.31 x .99 (33.3 x 25.2mm), RS-232/Ethernet	\$8,384

* Note: All Verifier kits come with mounting hardware, power supplies, and connectivity breakout kit.



Quadrus Verifier Continued

Accessories

Part Number	Description	List Price
FIS-0210-0001G	MS-Connect 210, Connectivity Box with Display	\$595
FIS-0210-0002G	MS-Connect 210, Connectivity Box	\$395
FIS-0210-0003G	MS-Connect 210, Connectivity Box with Display and Ethernet	\$795
FIS-0210-0004G	MS-Connect 210, Connectivity Box with Ethernet	\$595
61-000122-01	Cable, To MS-Connect 210, Host RS-422/485 for Multidrop, 6 ft	\$100
61-000123-01	Cable, To MS-Connect 210, Host/AUX RS-232, for Daisy Chain 210 to 210, 6 ft	\$100
98-000096-01	Kit, Monitor 7" TFT LCD and Video I/O Cable, 10 feet	\$645
98-000040-02	Interface Box Kit, IB-150 and Quadrus EZ Cable, 6 feet	\$175
99-000009-02	Interconnectivity, IB-151, RS-232 - Ethernet TCP/IP	\$100
98-000039-02	Kit, IB-152, DB25 Plug Terminal Block, DB25 Gender Changer	\$125
FIS-0001-0030G	IB-3PC Keyboard Wedge/Interface Box	\$100
61-000034-02	Cable, Comm/Serial , DB25 Socket to DB9 Socket, 6 feet	\$30
61-000033-02	Cable, Video I/O, 10 feet	\$30
61-000040-01	Cable, Crossover, Ethernet, Cat 5, 10 ft	\$30
70-000076-02	Label, Reflectance Calibration	\$40

Power Supply

Part Number	Description	List Price
97-100004-15	Power Supply, 90-264 VAC, 24VDC, USA /Euro Plug	\$125

Mounting and Connectors

Part Number	Description	List Price
98-000020-01	Mounting Arm/Adapter Kit, Quadrus, 6 inch	\$90
98-000037-01	Extension Kit, All Scanners', 6 inch	\$55
98-000054-01	Kit, Mounting Stand Base Plate, Small	\$30
98-000046-01	Kit, Base plate	\$40
20-610024-01	Trigger Connector, 4-pin Plug (for self wiring)	\$30
20-610020-01	Power Connector, 3-pin Socket (for self wiring)	\$30

Package Detector/Sensor

Part Number	Description	List Price
99-000017-01	Photo Sensor, Visible, NPN, DARK ON	\$175
99-000017-02	Photo Sensor, Visible, NPN, LIGHT ON	\$175

Software / Manuals

Part Number	Description	List Price
37-000001-01*	CD ROM, User's Manuals, ESP Software	\$30
37-000003-01**	CD ROM, EZ Trax Software	\$500

* 1 free per order.

** EZ Trax is an accessory.

Prices and Specifications Subject to Change

\$100 Minimum Order

Confidential Document

Tel: 425.226.5700
Fax: 425.226.8250

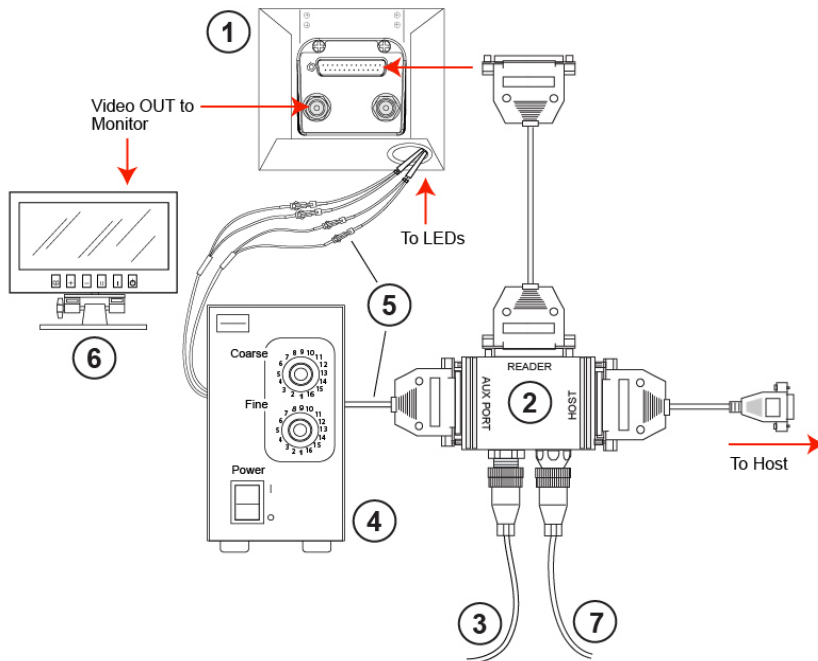
07-000001-01, Rev N

Page 94 of 106

www.microscan.com

Tech Reference *Quadrus Verifier*

Stand Alone with Monitor



System Matrix

Product	Reference No.	Description	Price
(1) Quadrus Verifier	FIS-6700-100XG	Quadrus Verifier	\$8,384
(2) IB-150 Kit		IB-150 Interface and Reader Cable, 6 feet	
(3) Power Supply		Power Supply, 90-264 VAC, 24VDC, includes US and European input cables	
(4) Illumination Power Supply		Power Supply, 12V, 28W	
(5) Light Control Cable		Cable, Light Control	
Quadrus EZ Stand		Mounting arm and base plate	
Calibration Symbol		Reflectance calibration symbol	
User's Manuals, ESP Software	CD ROM, User's Manuals, ESP Software		
(6) 7" Monitor, TFT LCD *	98-000096-01	Kit, Monitor 7" TFT LCD and Video I/O Cable, 10 feet	\$645
(7) Photo Sensor **	99-000017-01	Photo Sensor, Visible, NPN, DARK ON	\$175
EZ Trax Software***	37-000003-01	Image Capture and Storage Software	\$500

* Monitor sold separately.

** Photo Sensor sold separately.

***EZ Trax Software sold separately.

Prices and Specifications Subject to Change

\$100 Minimum Order

Confidential Document

Tel: 425.226.5700
Fax: 425.226.8250

07-000001-01, Rev N

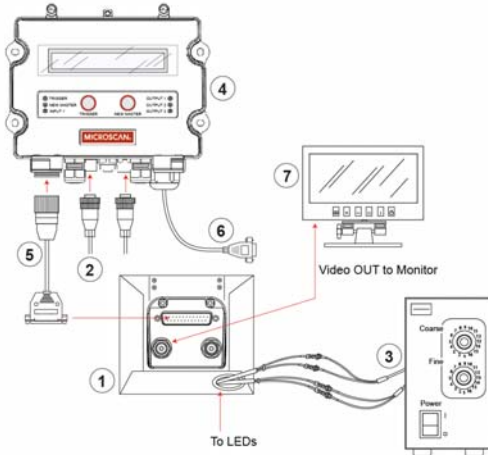
Page 95 of 106

www.microscan.com

Tech Reference *Quadrus Verifier*

Stand Alone

with Monitor and MS-Connect 210



System Matrix

Product	Reference No.	Description	Price
(1) Quadrus Verifier	FIS-6700-100XG	Quadrus Verifier	\$8,384
(2) Power Supply		Power Supply, 90-264 VAC, 24VDC USA /Euro Plug	
(3) Illumination Power Supply		Power Supply, 12V, 28W	
Light Control Cable		Cable, Light Control	
Quadrus EZ Stand ¹		Mounting arm and base plate	
IB-150 Kit ¹		IB-150 Interface and Reader cable	
Calibration Symbol		Reflectance calibration symbol	
User's Manuals, ESP Software		CD ROM, User's Manuals, ESP Software	
(4) MS-Connect 210	FIS-0210-000XG*	Connectivity Box	Varies
(5) Reader Cable	61-000122-01 [†]	Cable, To MS-Connect 210, Host RS-422/485 for Multidrop, 6 ft	\$100
(6) Host Cable	61-000105-01**	Pre-stripped RS-232, 9-pin host cable	\$30
(7) Monitor	98-000096-01	Kit, Monitor 7" TFT LCD and Video I/O Cable, 10 feet	\$645

¹ If applicable; not shown.

* See MS-Connect Series section for a complete listing of Accessories

[†] Choose one cable

** 1 free host cable provided with each MS-Connect 210

MS-Connect Series

Streamlined Connectivity Solutions



MS-Connect 210 Options

Part Number	Description	List Price
FIS-0210-0001G	MS-Connect 210, Connectivity Box with Display	\$595
FIS-0210-0002G	MS-Connect 210, Connectivity Box	\$395
FIS-0210-0003G	MS-Connect 210, Connectivity Box with Display and Ethernet	\$795
FIS-0210-0004G	MS-Connect 210, Connectivity Box with Ethernet	\$595

Accessories

Part Number	Description	List Price
61-000066-02	Cable coiled, MS-Connect 210 to MS-Q, (must be stripped by user before wiring)	\$80
61-000105-01	Pre-stripped to 9pin host cable, 6 ft	\$30
61-000121-02	Cable, MS-820 to MS-Connect 210, 3 ft	\$100
61-000122-01	Cable, To MS-Connect 210, Host RS-422/485 for Multidrop, 6 ft	\$100
61-000123-01	Cable, To MS-Connect 210, Host/AUX RS-232, for Daisy Chain 210 to 210, 6 ft	\$100
61-000124-01	Cable, Quadrus EZ with onboard Ethernet to MS-Connect 210, Ethernet, 6 ft	\$100
61-000127-02	Cable, MS-9 to MS-Connect 210, 6 ft	\$100
61-000128-01	Cable, external Micro-Change to internal Ethernet module, MS-Connect 210, 8 in.	\$50
FIS-0001-0035G	IC-332, Connects 5V Reader to IB-131 (Note: replaces IC-331, FIS-0001-0029)	\$150
61-000136-01	Ethernet Cross over Cable, CAT5, 10'	\$30
98-000013-04	Pluggable Relay Module, 120VAC, Series 70, Type SM	\$47
98-000013-05	Pluggable Relay Module, 240VAC, Series 70, Type SM	\$47
98-000013-06	Pluggable Relay Module, 24VDC, Series 70, Type SM	\$47

Power Supply

Part Number	Description	List Price
97-100004-15	Power Supply, 90-264 VAC, 24VDC, USA/Euro Plug	\$125

Mounting and Connectors

Part Number	Description	List Price
98-000093-01	DIN Rail Mounting Kit	\$45

Package Detector/Sensor

Part Number	Description	List Price
99-000017-02	Photo Sensor, Visible, NPN, LIGHT ON	\$175

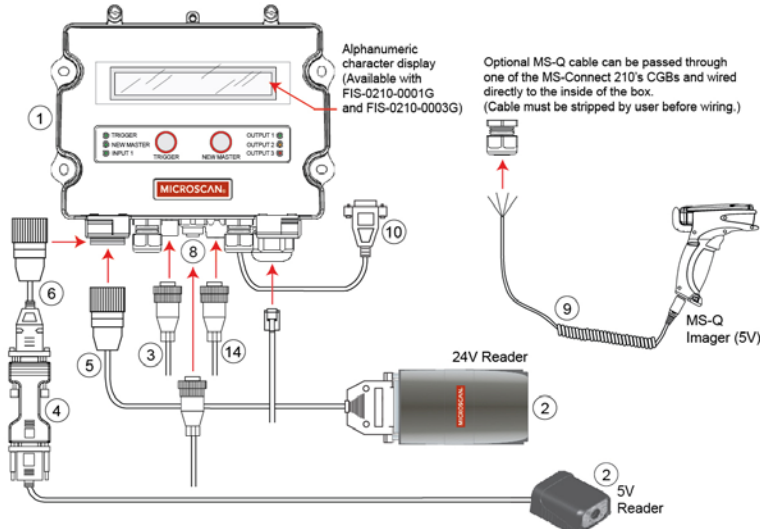
Software/Manuals

Part Number	Description	List Price
37-000001-01	CD ROM, User's Manuals, ESP Software	\$30
37-000003-01	CD ROM, EZ Trax Software	\$500

Tech Reference *MS-Connect 210*

Stand Alone

These are the setup options for one MS-Connect 210 and one 10-28V or 5V reader.



Product	Reference No.	Description	Price
(1) MS-Connect 210	FIS-0210-0001G FIS-0210-0002G FIS-0210-0003G FIS-0210-0004G	Connectivity Box with Display Connectivity Box Connectivity Box with Display and Ethernet Connectivity Box with Ethernet†	\$595 \$395 \$795 \$595
(2) Microscan Reader	FIS-XXXX-XXXXG	Varies	Varies
(3) Power Supply	97-100004-15	Power Supply, 90-264 VAC, 24VDC, USA/Euro Plug	\$125
(4) IC-332 (5V Readers)	FIS-0001-0035G	Power Adapter, Connects 5V Reader to Interface	
(5) Reader Cable (10-28V Readers)	61-000122-01	Cable, To MS-Connect 210, Host RS-422/485 for Multidrop, 6 ft	\$100
(6) Reader Cable (5V Readers and MS-9)	61-000127-02	Cable, 5V Reader or MS-9 to MS-Connect 210, 6 ft	\$100
(7) Reader Cable (5V Readers and MS-9)	61-000139-01	Cable, To MS-Connect 210, Host RS-422/485 for Multidrop, 6 ft	\$100
(8) Reader Cable (MS-820 only; not shown)	61-000121-02	Cable, MS-820 to MS-Connect 210, 3 ft	\$100
(9) Internal Ethernet Cable (If applicable)	61-000128-01	Cable, Micro-Change to Ethernet module, MS-Connect 210, 8 in.	\$50
(10) MS-Q Reader Cable (If applicable)	61-000066-01	Cable, MS-Connect 210 to MS-Q (must be stripped by user before wiring)	\$80
(11) MS-Connect 210 Host Cable	61-000105-01	Pre-stripped to 9pin host cable, 6 ft	\$30
(12) Pluggable Relay Module (If applicable; not shown)	98-000013-04	120VAC, Series 70, Type SM	\$47
(13) Pluggable Relay Module (If applicable; not shown)	98-000013-05	240VAC, Series 70, Type SM	\$47
(14) Pluggable Relay Module (If applicable; not shown)	98-000013-06	24VDC, Series 70, Type SM	\$47
(15) Object Detector (If applicable)	99-000017-02	Photo sensor, Visible, NPN, Light On	\$175
DIN Rail Mounting Kit	98-000093-01	Mounting kit for affixing the MS-Connect 210 to a DIN rail	\$45

Tech Reference *MS-Connect 210*

Prices and Specifications Subject to Change

\$100 Minimum Order

Confidential Document

Tel: 425.226.5700
Fax: 425.226.8250

07-000001-01, Rev N

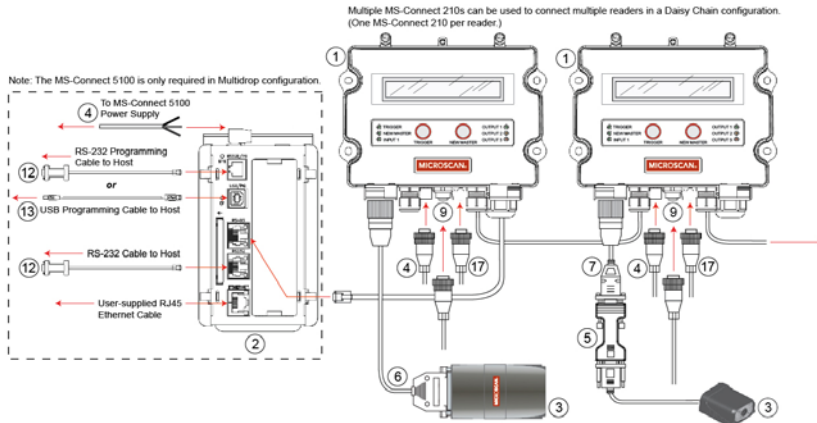
Page 98 of 106

www.microscan.com

Tech Reference *MS-Connect 210*



Multidrop / Daisy Chain



Product	Reference No.	Description	Price
(1) MS-Connect 210	FIS-0210-0001G	Connectivity Box with Display	\$595
	FIS-0210-0002G	Connectivity Box	\$395
	FIS-0210-0003G	Connectivity Box with Display and Ethernet	\$795
	FIS-0210-0004G	Connectivity Box with Ethernet	\$595
(2) MS-Connect 5100	FIS-5100-0001G	Enhanced Multidrop Concentrator (required for Multidrop only)	\$945
(3) Microscan Reader	FIS-XXXX-XXXXG	Varies	Varies
(4) Power Supply	97-100004-15	Power Supply, 90-264 VAC, 24VDC, USA/Euro Plug	\$125
(5) IC-332	FIS-0001-0035G	Power Adapter, Connects 5V Reader to Interface	\$150
(6) Reader Cable (10-28V)	61-000122-01	Cable, To MS-Connect 210, Host RS-422/485 for Multidrop, 6 ft Cable,	\$100
(7) Reader Cable (5V Readers and MS-9)	61-000127-02	Cable, 5V Reader or MS-9 to MS-Connect 210, 6 ft	\$100
(8) Reader Cable (MS-820 only; not shown)	61-000121-02	Cable, MS-820 to MS-Connect 210, 3 ft	\$100
(9) Internal Ethernet Cable (If applicable)	61-000128-01	Cable, Micro-Change to Ethernet module, MS-Connect 210, 8 in.	\$50
(10) MS-Q Reader Cable (If applicable; not shown)	61-000066-02	Cable, MS-Connect 210 to MS-Q (must be stripped by user before wiring)	\$80
(11) MS-Connect 210 Host Cable (not shown)	61-000105-01	Pre-stripped to 9pin host cable, 6 ft	\$30
(12) MS-Connect 5100 Host Cable (required for Multidrop only)	61-000108-01	Cable, RJ-12 to 9-pin D Sub, 10 Feet	\$45
(13) MS-Connect 5100 Programming Cable (required for Multidrop only)	61-000112-01	Cable, USB Type A Male to Mini B Male, 10 ft	\$30
(14) Pluggable Relay Module (If applicable; not shown)	98-000013-04	120VAC, Series 70, Type SM	\$47
(15) Pluggable Relay Module (If applicable; not shown)	98-000013-05	240VAC, Series 70, Type SM	\$47

Prices and Specifications Subject to Change

\$100 Minimum Order

Confidential Document

Tel: 425.226.5700
Fax: 425.226.8250

07-000001-01, Rev N

Page 99 of 106

www.microscan.com

(16) Pluggable Relay Module (If applicable; not shown)	98-000013-06	24VDC, Series 70, Type SM	\$47
(17) Object Detector (If applicable)	99-000017-02	Photo sensor, Visible, NPN, Light On	\$175
DIN Rail Mounting Kit	98-000093-01	Mounting kit for affixing the MS-Connect 210 to a DIN rail	\$45

MS-Connect 5100 Options

Part Number	Description	List Price
FIS-5100-0001G	MS-Connect 5100, Enhanced Multidrop Concentrator	\$945

Accessories

Part Number	Description	List Price
FIS-0001-0035G	IC-332, Connects MINI to IB-131 (Note: replaces IC-331, FIS-0001-0029)	\$150
61-000108-01	Cable, RJ-12 to 9-pin D Sub, 10 Feet	\$45
61-000112-01	Cable, USB Type A Male to Mini B Male, 10 ft	\$30
61-000113-01	Cable, Concentrator to IB-131/IB-150 RJ45 to 25-pin D Sub, 10 ft	\$60
61-100030-03 ¹	Cable, Multidrop, 10 feet IB-131/IB-150 to IB-131/IB-150	\$30
99-000018-01	IB-131 Interface Box for MS-3, MS4, MS-9, MS-820 and Quadrus MINI	\$150
98-000040-02	IB-150 and Reader cable, 6 ft for MS-860, MS-890 and Quadrus EZ	\$175

¹ Gender changer may be needed for IB-131 to IB-150; one gender changer included with 61-000113-01.

Power Supply

Part Number	Description	List Price
97-100004-15	Power Supply, 90-264 VAC, 24VDC, USA/Euro Plug	\$125

Mounting

Part Number	Description	List Price
10-000251-01	Mounting Bracket	\$45

Package Detector/Sensor

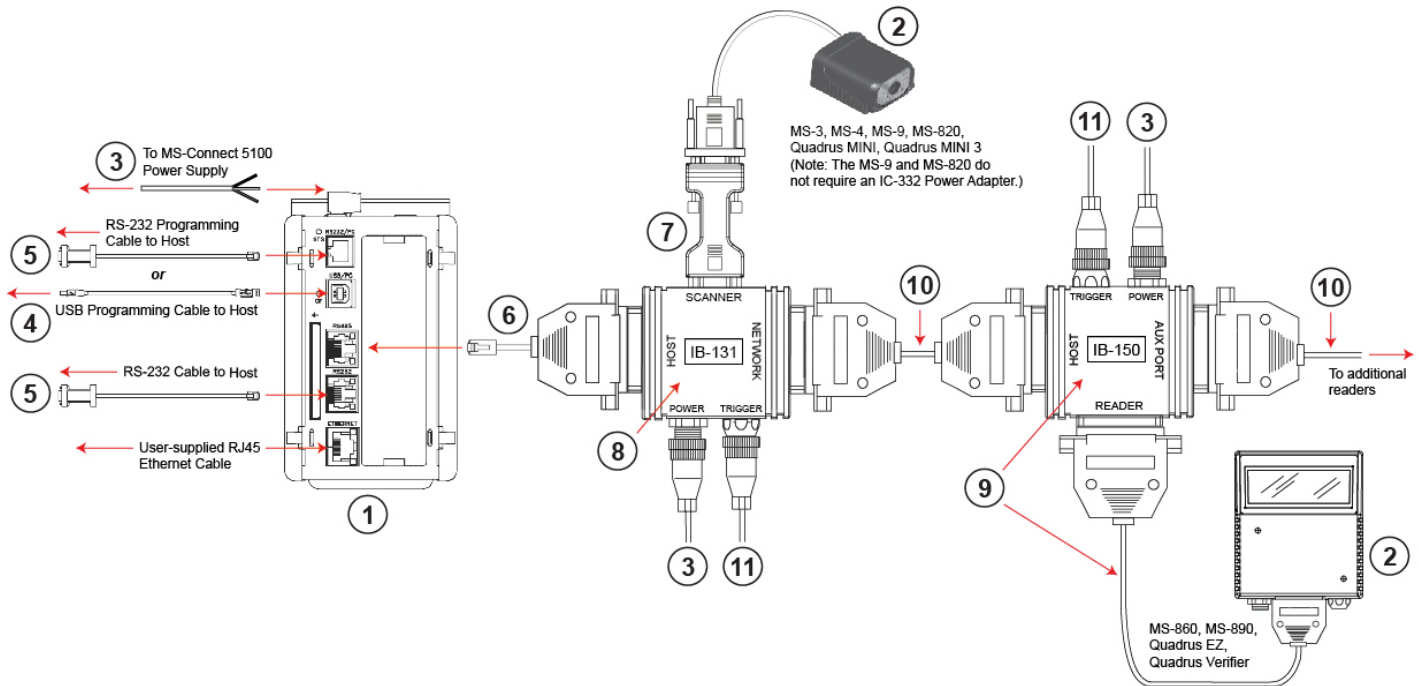
Part Number	Description	List Price
99-000017-01	Photo Sensor, Visible, NPN, DARK ON	\$175
99-000017-02	Photo Sensor, Visible, NPN, LIGHT ON	\$175

Software/Manuals

Part Number	Description	List Price
37-000001-01	CD ROM, User's Manuals, ESP Software	\$30
37-000003-01	CD ROM, EZ Trax Software	\$500

Tech Reference *MS-Connect 5100*

Multidrop



Product	Reference No.	Description	Price
(1) MS-Connect 5100	FIS-5100-0001G	Enhanced Multidrop Concentrator	\$945
(2) Microscan Reader	FIS-XXXX-XXXXG	Varies	Varies
(3) Power Supply	97-100004-15	1-Power supply per MS-Connect 5100 unit and Readers	\$125
(4) USB Programming Cable,	61-000112-01	Cable, USB Type A Male to Mini B Male, 10 ft	\$30
(5) Prog/Comm. Cable, RS-232	61-000108-01	Cable, RJ-12 to 9-pin D Sub, 10 Feet	\$45
(6) Concentrator Cable	61-000113-01	Cable, Concentrator to IB-131/IB-150 RJ45 to 25-pin D Sub, 10 ft	\$60
(7) IC-332	FIS-0001-0035G	Adapter for 5-Volt readers, MS-3, MS-4 and Quadrus MINI	\$150
(8) IB-131 Interface Box	99-000018-01	IB-131 Interface Box for MS-3, MS4, MS-9, MS-820 and Quadrus MINI	\$150
(9) Kit, IB-150 Interface Box	98-000040-01	IB-150 and Reader cable, 6 ft for MS-860, MS-880 and Quadrus EZ	\$175
(10) Multidrop Trunk Cable	61-100030-03 ¹	Cable, multidrop, 10 feet IB-131/IB-150 to IB-131/IB-150	\$30
(11) Object Detector (If applicable)	99-000017-01	Photo sensor, Visible, NPN, Dark On	\$175
Mounting Bracket (not shown)	10-000251-01	Mounting bracket for affixing the unit to flat surfaces	\$45

¹ Gender changer may be needed for IB-131 to IB-150; one gender changer included with 61-000113-01.

Product Accessories

Protocol		
Part Number	Description	List Price
20-500013-01 ¹	DeviceNet Protocol Box	\$595
98-000056-01	Kit, Protocol Card, Ethernet TCP/IP, MS-890	\$595

¹ Part is not RoHS compliant.

Monitor (110 VAC only)		
Part Number	Description	List Price
98-000096-01	Kit, Monitor 7" TFT LCD and Video I/O Cable, 10 feet	\$645

Right Angle Mirror Kits		
Part Number	Description	List Price
98-200026-02	Right Angle Down Mirror Kit, MS-820	\$75
98-200036-01	Right Angle Down Mirror Kit, MS-9	\$75
98-000036-01	Right Angle Up Mirror Kit, Quadruz EZ	\$75
98-000088-01	Right Angle Up Mirror Kit, Small Imagers	\$50
98-000058-02	Kit, Extended Right Angle Mirror, MS-3	\$50

Package Detector/Sensor		
Part Number	Description	List Price
99-000017-01	Photo Sensor, Visible, NPN, Dark On	\$175
99-000017-02	Photo Sensor, Visible, NPN, Light On	\$175
99-000019-01	Photo Sensor, Visible, NPN, Light On, 5VDC	\$175
99-000004-01	MS-890, Standard Diffuse, 120 inch Range, 4-pin Plug	\$225
99-000004-02	MS-890, Standard Diffuse, 120 inch Range, Unterminated	\$225

Cable / Connectivity		
Part Number	Description	List Price
61-000010-02	Cable, Communication, DB-9 Socket to DB-9 Socket, 6 ft	\$30
61-000011-02	Cable, MS-820 to IB-131 (also use for MS-3, 4, 9, 710 and MINI Extension)	\$30
61-000033-02	Cable, Video I/O, 10 ft	\$30
61-000034-02	Cable, Communication, 9-pin D-sub Socket to 25-pin D-sub Socket	\$30
61-100029-03	Cable, IB to IB, 1 ft	\$30
61-300026-03	Cable, Communication, DB-25 Plug to DB-9 Socket, 6 ft	\$50
61-000032-02	Cable, Quadruz EZ to IB-150	\$30
99-000008-02	Interface module, IB-150	\$150
61-000151-01	Cable, MINI USB, I/O Breakout, Flying Leads, 3ft	\$30

Connector Kits		
Part Number	Description	List Price
20-610024-01	Trigger Connector for IB-131, MS-820/860/880/9, 4-pin Plug	\$30
20-610020-01	Power Connector for IB-131, MS-820/860/880/9, 3-pin Socket	\$30

Prices and Specifications Subject to Change

\$100 Minimum Order

Confidential Document

Tel: 425.226.5700
Fax: 425.226.8250

07-000001-01, Rev N

Page 102 of 106

www.microscan.com

Product Accessories Continued

Power Supplies

Part Number	Description	List Price
97-000002-01	Power Supply, 90-264 VAC, +5 VDC, USA/Euro Plug	\$75
97-100004-15	Power Supply, 90-264 VAC, +24 VDC, RoHS Compliant, US and Euro Plug	\$125

Connectivity Box

Part Number	Description	List Price
FIS-0210-0001G	MS-Connect 210, Connectivity Box with Display	\$595
FIS-0210-0002G	MS-Connect 210, Connectivity Box	\$395
FIS-0210-0003G	MS-Connect 210, Connectivity Box with Display and Ethernet	\$795
FIS-0210-0004G	MS-Connect 210, Connectivity Box with Ethernet	\$595
61-000122-01	Cable, 19 pin to 25 pin, Host RS-422/485, 6 ft (10-28v Readers)	\$100
61-000123-01	Cable, 19 pin to 25 pin, Host RS-232, AUX RS-232, 6 ft (10-28V Readers)	\$100
61-000124-01	Cable, 19 pin to 25 pin, Ethernet, 6 ft (Quadrus EZ Only)	\$100
61-000127-02	Cable, 19 pin to 15 pin, 6 ft (5V Readers and MS-9)	\$100
61-000121-02	Cable, 19 pin to 15 pin, 3 ft (MS-820 only)	\$100
61-000066-02	Cable, MS-Connect 210 to MS-Q (must be stripped by user before wiring)	\$80
61-000105-01	Pre-stripped to 9pin host cable, 6 ft	\$30
98-000013-04	Pluggable Relay Module, 120VAC, Series 70, Type SM	\$47
98-000013-05	Pluggable Relay Module, 240VAC, Series 70, Type SM	\$47
98-000013-06	Pluggable Relay Module, 24VDC, Series 70, Type SM	\$47
98-000093-01	DIN Rail Mounting Kit	\$45

Interface Boxes

Part Number	Description	List Price
98-000014-02	IB-131 Kit (includes cable to MS-820)	\$175
99-000018-01	IB-131 Interface Box (used with MS-3/IC-332 and MS-9)	\$150
98-000040-02	IB-150 Kit, Quadrus EZ	\$175
99-000009-02	Interconnectivity, IB-151, RS-232 - Ethernet TCP/IP	\$100
98-000039-02	IB-152 Kit, DB25 Plug Terminal Block, DB25 Gender Changer	\$125
FIS-0001-0035G	IC-332, Connects 5V Reader to IB-131	\$150
98-000051-01	IC-3USB, USB Conversion Kit	\$75
FIS-0001-0030G	IB-3PC, Interface to PC	\$100
99-420003-04	Wiring Box Base, IB-890/FIS-0880-0002 *	\$300

*Part is not RoHS compliant.

Product Accessories Continued

Mounting Components

Part Number	Description	List Price
<u>Mounting Arm Kits</u>		
98-000016-01	Mounting Arm/Adapter Kit, 820/860, 6 inch	\$90
98-000017-01	Mounting Arm/Adapter Kit, IB-890, 6 inch	\$90
98-000018-01	Mounting Arm/Adapter Kit, MS-890, 6 inch	\$90
98-000019-01	Mounting Arm/Adapter Kit, MS-9, 6 inch	\$90
98-000020-01	Mounting Arm/Adapter Kit, Quadrus EZ//Quadrus Verifier, 6 inch	\$90
98-000048-01	Mounting Arm/Adapter Kit, MS-3, MS-4 and Quadrus MINI, 4 inch	\$70
<u>Extension Arm Kits</u>		
98-000037-01	Extension Kit, MS-890, MS-860, MS-820, MS-9, IB-890, 6 inch	\$55
98-000053-01	Extension Kit, MS-3, MS-4 and Quadrus MINI, 4 inch	\$35
98-000053-02	3-inch (75.6 mm) extension; MS-3, MS-4 and Quadrus MINI, 3"	\$35
<u>Base Plates</u>		
98-000046-01	Kit, Base Plate	\$40
98-000054-01	Kit, Mounting Stand Base Plate, Small	\$30
<u>Standard Mounting Plates</u>		
98-000091-01	MS-9 Standard Flat Mounting Plate Kit	\$20
98-500006-01*	MS-820, MS-860 Standard Flat Mounting Plate Kit	\$20
98-200037-01	MS-890 Standard Flat Mounting Plate Kit	\$40
98-000060-01	Kit, Bracket, Side Mount, MS-3	\$20
98-000059-01	Kit, Bracket, Angle Mount, MS-3	\$20
98-000057-01	Kit, Bracket, Through Hole Mount, MS-3	\$20

* Through-hole mounting plate; not for use with mounting arm.

Software / Manuals

Part Number	Description	List Price
37-000001-01	CD ROM, User's Manuals, ESP Software	\$30
37-000003-01	CD ROM, EZ Trax Software	\$500

Protocol Box/Card

Part Number	Description	List Price
20-500013-01	DeviceNet Protocol Box	\$595
98-000056-01	Kit, Protocol Card, Ethernet TCP/IP, MS-890	\$595

Product Demonstration Kits



Demo Kits		
Part Number	Description	List Price
98-000035-04	Demo Kit, Quadrus EZ (includes monitor)	\$1,395
98-000097-01	Demo Kit, MS-1 (Note: kit contains 1 HD MS-1 and 1 LD MS-1)	\$295
98-000055-05	Demo Kit, MS-3	\$595
98-000077-13	Demo Kit, MS-Q (includes Bluetooth modem)	\$695
98-000078-03	Demo Kit, MS-860	\$595
98-000086-02	Demo Kit, Quadrus MINI	\$595
98-000087-02	Demo Kit, MS-820	\$595
98-000090-03	Demo Kit, MS-890	\$595
98-000095-02	Demo Kit, MS-Connect 210*	\$895

Note: Quadrus Verifier Demo Kit can be ordered using the Part Number FIS-6700-100X. List Price: \$3,200.

* MS-Connect 210 Connectivity Box must be purchased separately.

Demo kits provide a complete accessory configuration housed in a convenient carrying case. Demo kits typically include:

- Complete mounting system
- Interface cables and boxes
- Package detectors
- Power supplies and
- Marketing literature

Readers are not included and must be purchased separately with the exception of the MS-1 Demo Kit

MICROSCAN®

Scanner Applications Form

Application Contact Info:

Date: _____
 Sales Rep: _____
 Customer: _____
 Address: _____

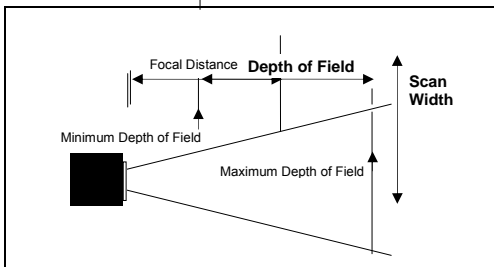
 Phone: _____
 Fax: _____

Application: _____
 Contact: _____
 Project Qty: _____
 Ordering Time Frame: _____
 Competitor Model No: _____
 Target Price: _____
 Email: _____
 Web: _____

Application Information:

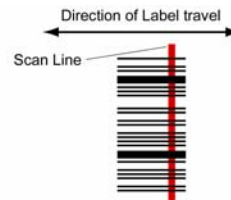
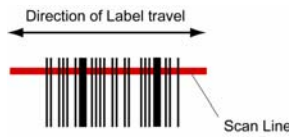
A few samples of the actual bar code label being used in your customer's application must be included with each application form.

- | | |
|--|---|
| 1. Bar Code symbology (Code Type): _____ | 8. Label per second(Quadrus Only): _____ |
| 2. Narrow-bar-width (mils): - - - - - _____ | 9. Scan width: (If required): - - - - - _____ |
| 3. Distance to bar code: - - - - - _____ | at distance of (inches): - - - - - _____ |
| 4. Depth of field (If required): - - - - - _____ | 10. Raster height required: - - - - - _____ |
| 5. Label speed (ft/sec.-inches/sec): _____ | at distance of (inches):- - - - - _____ |
| 6. Label height: - - - - - _____ | 11. Print method: - - - - - _____ |
| 7. Label length: - - - - - _____ | 12. Label orientation (Check box below) |



- Picket Fence
 Omni Directional

Ladder



Calculations for Number of Scans

Picket Fence:

$$\left(\frac{\text{Scan Width} - \text{Label Length}}{\text{Label Speed}} \times \text{Scan Rate} \right) - 3 = \text{number of complete scans}$$

Ladder:

$$\left(\frac{\text{Label Height}}{\text{Label Speed}} \times \text{Scan Rate} \right) - 3 = \text{number of complete scans}$$

Scanner Info:

- Scanner Type:**
- | | |
|-------------------------------------|---|
| <input type="checkbox"/> MS1/MS-2 | <input type="checkbox"/> MS-860 |
| <input type="checkbox"/> MS-3 Laser | <input type="checkbox"/> MS-890 |
| <input type="checkbox"/> MS-710 | <input type="checkbox"/> MS-Q (Basic) |
| <input type="checkbox"/> MS-820 | <input type="checkbox"/> MS-Q (Quadrus) |
| <input type="checkbox"/> MS-9 | <input type="checkbox"/> Quadrus EZ |
| <input type="checkbox"/> MS-4 | <input type="checkbox"/> Quadrus Mini |

Trigger Mode:

- External (Object detector)
 Serial (From host)

Special Application Requirements:

FOR INTERNAL ONLY

TASK ID: _____

Samples Returned _____

Completion Date: _____