

MICROSCAN.

PRODUCT PRICING CATALOG

Corporate Headquarters, USA

Microscan Systems, Inc.

700 SW 39th St

Renton, WA

98057

Tel 425.226.5700

Fax 425.226.8250

CONFIDENTIAL

www.microscan.com

MICROSCAN®

Contents	Page #
Field Sales Contacts	3
Inside Sales Contacts	4
Technical Support and Service Contacts	4
Standard Terms and Conditions	5
Product Return Process	6
Auto ID Barcode Readers	
MS-1 Series Scan Engines	7
MS-2 Series CCD Readers	8
MS-3 Series Scanners	10
MS-9 High Speed Scanner	19
QX-830 Compact Barcode Reader	24
QX-870 Industrial Barcode Reader	31
MS-890 Industrial Barcode Reader	36
Auto ID 2D Readers and Verifiers	
MS-4 Compact 2D Imager	44
Quadrus MINI Family of Imagers	47
QX Hawk	53
HawkEye 1500	55
UID DPM and LDP Verifiers*	59
Auto ID Handhelds	
HS-1 Handheld Linear CCD Barcode Reader	60
HS-2D Handheld 2D CCD Barcode Reader	60
MS-Q Rugged Handled Imagers	61
HawkEye 40T and 45T Series Handled Imagers	62
Mobile Hawk Handled DPM Imager	69
Auto ID Software, Connectivity, and Accessories	
MS-Connect Series	70
Auto ID Product Accessories	75
Machine Vision Systems	
Visionscape PC Board and Software	77
Visionscape GigE Solution	78
Visionscape Smart Camera	79
Machine Vision Accessories	82
Industry Specific Solutions	
Track, Trace and Control Software	83
EZ Match	84
Visionscape I-PAK Pharmaceutical Label Verification Software	85
MS-96 Vial Reader	86
Instrument and Tool Reader (ITR)	86
NERLITE © Machine Vision Lighting	
Ringlights	87
DOAL and OAL Lights	89
SCDI	91
CDI	92
HI-BRITES	93
Area Arrays	94
Linear Arrays	95
Large Area and Spot Lights	96
Area Spot Array Lights	98
Edge to Edge Backlights	99
Large Backlights	101
Dome Lights	102
Darkfield Lights	103
Product Demo Kits	105
Service Price List	106
Legacy Products	107

MICROSCAN.

Field Sales Contacts

Region	Sales Managers	Address	Phone	email
N. America Sales Manager	Bob Fines	3028 Ashbury Drive Naperville, IL 60564	Tel: 630.904.9210	rfines@microscan.com
Western U.S.A.	Bob Taplett	21416 NE 146th PL Woodinville, WA 98077	Mobile: 206.617.9603	btaplett@microscan.com
Central U.S.A. / Canada	Richard Bellemare	2427 Allen Street, #412 Dallas TX 75204	Tel: 214.468.8660	rbellemare@microscan.com
North Central U.S.A.	Burt Muller	1807 Buchanan Street, Little Chute, WI 54140	Tel: 920.915.3846	bmuller@microscan.com
Southeastern U.S.A.	Bob Fines	3028 Ashbury Drive Naperville, IL 60564	Tel: 630.904.9210	rfines@microscan.com
Northeastern U.S.A.	Mark Ragard	34 Stevens Road, Binghamton, NY 13903	Tel: 607.669.4010	mragard@microscan.com
Mid Atlantic	Mathew Winner	1303 Old Fallston Road, Falston, MD	Tel: 443-829-0482	mwinner@microscan.com
Mexico and Latin America Sales	Bob Fines	3028 Ashbury Drive Naperville, IL 60564	Tel: 630.904.9210	rfines@microscan.com
V.P. of Sales (acting Europe Director)	René van Mourik	Lemelerberg 17 NL.2402 ZN Alphen aan den Rijn, The Netherlands	Tel: +31 172.4233.60	rene.van.mourik@microscan.nl
Greece, South Africa, Northern African countries	René van Mourik	Lemelerberg 17 NL.2402 ZN Alphen aan den Rijn, The Netherlands	Tel: +31 172.4233.60	rene.van.mourik@microscan.nl
France	Philippe Berger	France et Suisse Romande	Tel: + 33 (0)6 46 54 29 80	philippe.berger@microscan.nl
Spain, Portugal, Italy, Greece, Israel, Dubai	Juan Pablo Biermayr	Lemelerberg 17 NL.2402 ZN Alphen aan den Rijn, The Netherlands	Tel: +31 172.4233.60	JuanPablo.Biermayr@microscan.nl
Germany, Austria	Helmuth Zierer	Ferdinand Zwack Str. 17 D.85354 Freising . Germany	Tel: +49 08161.9199.33	helmuth.zierer@microscan.nl
Belgium, Italy, UK, Ireland	Michael de Kegel	Zonnestrarat 11 B.9300 Aalst Belgium	Tel: +32 474.3110.56	michael.de.kegel@microscan.nl
Turkey, Romania, Bulgaria, Slovenia, Czech Republic, Slovak Republic, Hungary, Poland, Baltic States.	Osman Erturk	Yavuz Selim Caddesi Silistre Sokak 15.5, 34087, Fatih/Istanbul Turkey	Tel: +90 212.621.4354	osman.erturk@microscan.nl
APAC Director	Wayne Goh	31 Kaki Bukit Road 3 #06.04/05 TechLink, Singapore 417818	Tel: +65 6846.1214	waynegoh@microscan.com
China Country Manager	Ricchard Chang	Rm 1818 Beijing Shougang International Bldg # 60 North Street, Xizhimen	Tel: 86 1331-1100-629	rcheng@microscan.com
Singapore	Goh Yee Heng	31 Kaki Bukit Road 3 #06.04/05 TechLink, Singapore 417818	Tel: +65 6846.1214	gohyh@starhub.net.sg
China/Guangzhou	Charles Cheng	11A GoldSun Building 109 Ti Yu Xi Road, TianHe, Guangzhou 510620, P. R. China	Tel: +86 20.8756.8900	bcheng@spectris.com.cn
China	Ming Zhong	Unit 101, XinAn Plaza, Building 13, No. 99 Tianzhou Road, Shanghai, 200233, P.R.C.	Tel: +86 21.6113.3688	mzhong@spectris.com.cn
China/Beijing	Gang Gang Song	Rm 1818 Beijing Shougang International Bldg # 60 North Street, Xizhimen Haidan District, Beijing 100088, P.R.C.	Tel: +86 10.5993.5887	ggsong@spectris.com.cn
Korea	Moon Soo Kim	SH Building, 8th floor, 16.6, Sunae.dong, Bundang.gu, Seongnam City, Kyeonggi.Do, Korea, 463.825	Tel: +82 31.786.0835	zenith77@unitel.co.kr
Japan	Koji Seto	1F JP Kaji.cho Bldg., 3.5.2 Kandakaji.cho, Chiyoda.ku, Tokyo 101.0045, Japan	Tel: +03 3255.8163	kseto@microscan.com

MICROSCAN.

Inside Sales/Customer Service Contacts

Region	Inside Sales Managers	Address	Phone	Ext	Email
China/Asia/Australia / New Zealand	Steve Kinney	Microscan 700 SW 39th Street, Renton, WA 98057	Tel: 425.203-4929	4929	skinney@microscan.com
Western/Central U.S.A. / Europe (backup)	Matt Scrichfield	Microscan 700 SW 39th Street, Renton, WA 98057	Tel: 425.203-4955	4955	mscrch@microscan.com
Eastern U.S.A/ Canada/ Mexico / Latin America/ Caribbean/ Central-South America	Joe Mercurief	Microscan 700 SW 39th Street, Renton, WA 98057	Tel: 425.203-4911	4911	imerc@microscan.com

Technical Support and Service Contacts

Support/Service	Contact	Address	Phone	Ext	Email
Distributor Business Development	Matt Van Bogart (Channel Programs Manager)	Microscan 700 SW 39th Street, Renton, WA 98057	Tel: 425.203.4970	4970	mvanbogart@microscan.com
Sales Admin/Demo Orders and Order Status	Lauri Scrichfield (Sales and Demo Admin.)	Microscan 700 SW 39th Street, Renton, WA 98057	Tel: 425.203.4954	4954	lscrch@microscan.com
Help Desk	Auto ID		Tel: 425.226.5700 Tel: 800.251.7711	4841	helpdesk@microscan.com
	RMA Number for return authorizations	Kay Groves Microscan 700 SW 39th Street, Renton, WA 98057	Tel: 425.203.4926		kgroves@microscan.com
Service Contracts, Component Orders (piece parts, returns, obtain RMA #)	Contact your Inside Sales manager		Tel: 425.226.5700		

Note: Only products which are currently active (recommended for new applications) are shown in this product pricing catalog. Information regarding legacy and obsolete products is available by calling the sales/support contacts listed at the top of this page. Reference the end of the catalog for legacy product and service pricing.

****Important Pricing Discount Note**** Product discounts are applied based on the Product TYPE as indicated in the TYPE column of each price sheet. Three (3) Product Types are defined as follows: P = PRODUCT Discount, VP= Vision/NER Product Discount, or A=Accessory level discount. Refer to your Partner Agreement for the actual discount percentage by Product Type.

MICROSCAN.

MICROSCAN SYSTEMS, INC. TERMS AND CONDITIONS OF SALE

For the purposes of these TERMS AND CONDITIONS OF SALE ("Terms and Conditions"), "contract" means the agreement between Microscan Systems, Inc. ("Supplier") and Buyer arising as a result of Buyer's submission of an order for Supplier's products. Individually, Supplier and Buyer are each a party; collectively, they are parties. Such contract shall be deemed to incorporate and be governed by these Terms and Conditions. No term or condition of Buyer's order additional to or different from these Terms and Conditions shall become part of the contract unless explicitly agreed to in writing by Supplier. These Terms and Conditions may be revised by Supplier from time to time, in Supplier's sole discretion. Supplier will notify Buyer of revisions to these Terms and Conditions forty-five (45) days prior to the revised Terms and Conditions taking effect. Supplier's failure to object in writing to any provision contained in any communication from Buyer shall be construed as acceptance of any such provision and shall not be construed as a waiver of these Terms and Conditions.

1. Quotations and Orders: Prices, specifications and dates for delivery referenced in Supplier's quotations are for information purposes only and shall not be binding on Supplier until all technical requirements have been agreed and Supplier has accepted Buyer's order. All orders must be bona fide commitments showing definite prices and quantities and mutually agreed shipping dates.
2. Taxes: Prices do not include sales or excise taxes, which shall be paid by Buyer unless Buyer provides Supplier with any necessary tax exemption certificate.
3. Shipment and Delivery: All products will be shipped EXW (Ex Works) Supplier's premises. Delays of convenience, within fourteen (14) days of the acknowledged shipping dates, will be invoiced at 50% of order value on originally scheduled ship date. Delays for convenience will not be accepted beyond sixty (60) days. Orders containing custom "FIS" products cannot be delayed or canceled after receipt of Sales Order Acknowledgement. In the absence of specific instructions, Supplier will select the carrier and ship "collect". Title and risk of loss or damage to any product shall pass from Supplier to Buyer upon the product being packed ready for delivery to carrier. Any claims for loss, damage or misdelivery thereafter shall be filed with the carrier. All products shall be deemed finally inspected and accepted within ten (10) days after delivery unless notice of rejection is given by Buyer in writing to Supplier within such period. Acceptance shall constitute acknowledgement of full performance by Supplier of all obligations under the contract except as stated in Section 9 (Limitation of Warranties).
4. Terms of Payment: Each shipment shall be a separate transaction and Buyer will be invoiced on date of dispatch. Unless otherwise stated on Supplier's invoice, terms of payment shall be net thirty (30) days from date of invoice, unless Supplier requires, in its sole discretion, payment in advance. If Buyer fails to make any payment due hereunder when due, Supplier may recover, in addition to the payment, interest thereon at the rate of 1-1/2% per month and reasonable attorney's fees and costs.
5. Security Interest: Buyer hereby grants to Supplier a purchase money security interest in all Supplier products sold to Buyer as security for the punctual performance by Buyer of all of its obligations hereunder. Supplier may, at its discretion, file the Buyer's order and these terms and conditions as a financing statement to evidence and perfect said security interest.
6. Force Majeure: Supplier shall not be liable for any delay in delivery or for non-delivery, in whole or in part, caused by the occurrence of any event beyond the control of Supplier. If any such event occurs, Supplier may allocate production and deliveries among Supplier's customers.
7. Equipment: Supplier may modify specifications provided the modifications do not adversely affect the performance of the equipment to be supplied under the contract ("the equipment"). In addition, Supplier may furnish suitable substitutes for materials unobtainable because of priorities or regulations established by government authority, or non-availability of materials from suppliers.
8. Software and Proprietary Information: Supplier shall at all times have and retain title and full ownership of all software, firmware programming routines, and documentation thereof supplied by Supplier for use with the equipment, and of all copies thereof made by Buyer (collectively "software"). Supplier grants Buyer a non-exclusive and non-transferable license to use such software solely for use with the equipment. Buyer shall take all reasonable steps to protect Supplier's proprietary interest in the software, and any other proprietary information of Supplier, and shall not transfer or otherwise provide the software to any third party.
9. Limitation of Warranties:
 - A. Supplier warrants that all equipment shall be free from defects in material and workmanship under normal use for a period of one year from date of shipment to Buyer save that Supplier does not warrant that operation of the software will be completely uninterrupted or error free or that all program errors will be corrected. Buyer shall be responsible for determining that the equipment is suitable for Buyer's use and that such use complies with any applicable local, state or federal law. Provided that Buyer notifies Supplier in writing of any claimed defect in the equipment immediately upon discovery and any such equipment is returned to the original shipping point, transportation charges prepaid, within one (1) year from date of shipment to Buyer and upon examination Supplier determines to its satisfaction that such equipment is defective in material or workmanship, i.e. contains a defect arising out of the manufacture of the equipment and not a defect caused by other circumstances, including, but not limited to accident, misuse, unforeseeable use, neglect, alteration, improper installation, improper adjustment, improper repair, or improper testing, Supplier shall at its option repair or replace the equipment, shipment to Buyer prepaid. Supplier shall have reasonable time to make such repair or to replace such equipment. Any repair or replacement of equipment shall not extend the period of warranty. This warranty is limited to a period of one (1) year, without regard to whether any claimed defects were discoverable or latent on the date of shipment.
 - B. If Buyer shall fail to pay when due any portion of the purchase price or any other payment required from Buyer to Supplier under this contract or otherwise, all warranties and remedies granted under this Section 9 may, at Supplier's option, be terminated.
- C. THE FOREGOING WARRANTY IS EXCLUSIVE AND IN LIEU OF ALL OTHER REPRESENTATIONS, WARRANTIES AND COVENANTS, EXPRESS OR IMPLIED, WITH RESPECT TO THE EQUIPMENT AND ANY DEFECTS THEREIN OF ANY NATURE WHATSOEVER, INCLUDING WITHOUT LIMITATION WARRANTIES OF MERCHANTABILITY OR FITNESS FOR A PARTICULAR PURPOSE. SUPPLIER SHALL NOT BE LIABLE FOR, AND BUYER ASSUMES ALL RISK OF, ANY ADVICE OR FAILURE TO PROVIDE ADVICE BY SUPPLIER TO BUYER REGARDING THE EQUIPMENT OR BUYER'S USE OF THE SAME. UNDER NO CIRCUMSTANCES SHALL SUPPLIER BE LIABLE TO BUYER UNDER ANY TORT, NEGLIGENCE, STRICT LIABILITY, OR PRODUCT LIABILITY CLAIM AND BUYER AGREES TO WAIVE SUCH CLAIMS, SUPPLIER'S SOLE AND EXCLUSIVE LIABILITY, AND BUYER'S SOLE AND EXCLUSIVE REMEDY, FOR ANY NONCONFORMITY OR DEFECT IN THE PRODUCTS OR ANYTHING DONE IN CONNECTION WITH THIS CONTRACT, IN TORT (INCLUDING NEGLIGENCE), CONTRACT, OR OTHERWISE, SHALL BE AS SET FORTH IN SUBSECTION 9A HEREOF AS LIMITED BY SUBSECTION 9B HEREOF. THIS EXCLUSIVE REMEDY SHALL NOT HAVE FAILED OF ITS ESSENTIAL PURPOSE (AS THAT TERM IS USED IN THE UNIFORM COMMERCIAL CODE) PROVIDED THAT THE SUPPLIER REMAINS WILLING TO REPAIR OR REPLACE DEFECTIVE EQUIPMENT (AS DEFINED IN SUBSECTION 9A) WITHIN A COMMERCIALLY REASONABLE TIME AFTER RECEIVING SUCH EQUIPMENT. BUYER SPECIFICALLY ACKNOWLEDGES THAT SUPPLIER'S PRICE FOR THE EQUIPMENT IS BASED UPON THE LIMITATIONS OF SUPPLIER'S LIABILITY AS SET FORTH IN THIS CONTRACT.
10. Patents: Supplier shall defend any suit or proceeding brought against Buyer to the extent that it is based on a claim that any equipment manufactured by Supplier infringes in construction or design a United States patent, and shall indemnify Buyer against all costs, damages and expenses finally awarded against Buyer provided that Buyer notifies Supplier promptly in writing of any such claim and gives Supplier full and complete authority, information and assistance for the defense of such claim and provided further that Supplier shall have sole control of the defense and of the negotiations for settlement, if any, of such claim. If any such equipment is held in construction or design directly to infringe any United States patent and the use of said equipment is enjoined, or in case any equipment may, in the opinion of Supplier, be held to infringe, Supplier may, at its expense and option, either (a) procure for Buyer the right to continue using said equipment, (b) replace said equipment with a suitable noninfringing product, (c) suitably modify said equipment, or (d) refund the purchase price of said equipment, less depreciation at 20% per year, and accept its return. Supplier shall not be liable for any cost or expense incurred without Supplier's written authorization. Supplier shall not be obligated to defend or be liable for costs and damages if the infringement arises out of compliance with Buyer's specification or from a combination with or an addition to equipment not manufactured or developed by Supplier or a modification of the equipment after delivery or the use of equipment beyond that established by Supplier or approved in writing by Supplier. THE FOREGOING STATES THE ENTIRE LIABILITY OF SUPPLIER, AND THE EXCLUSIVE REMEDY OF BUYER, WITH RESPECT TO ANY ALLEGED PATENT INFRINGEMENT BY THE SAID EQUIPMENT.
11. Limitation of Liability and Buyer Indemnity: IN NO EVENT, REGARDLESS OF THE FORM OF ACTION, SHALL SUPPLIER BE LIABLE FOR ANY SPECIAL, INDIRECT, INCIDENTAL, OR CONSEQUENTIAL LOSSES OR DAMAGES ARISING OUT OF THE SALE OF ITS PRODUCTS TO BUYER OR ARISING OUT OF ANYTHING DONE IN CONNECTION WITH THE CONTRACT, INCLUDING, BUT NOT LIMITED TO, LOSSES OR DAMAGES ARISING OUT OF CLAIMS FOR LOSS OF USE, BUSINESS, GOODWILL, OR PROFITS, AND CLAIMS ARISING OUT OF THIRD-PARTY ACTIONS, REGARDLESS OF WHETHER SUCH THIRD-PARTY ACTIONS, OR ANY OTHER CLAIMS, LOSSES, OR DAMAGES, WERE REASONABLY FORESEEABLE TO BUYER OR SUPPLIER. BUYER'S EXCLUSIVE REMEDY ARISING OUT OF ITS PURCHASE AND USE OF SUPPLIER'S PRODUCTS, OR ARISING OUT OF ANYTHING DONE IN CONNECTION WITH THE CONTRACT, SHALL BE FOR DAMAGES AND NO CLAIM OR CLAIMS OF ANY KIND, WHETHER BASED UPON CONTRACT, WARRANTY, TORT (INCLUDING, BUT NOT LIMITED TO, NEGLIGENCE, WARRANTY AND STRICT LIABILITY), STATUTORY OR REGULATORY PROVISIONS, INDEMNITY, CONTRIBUTION, OR OTHERWISE, SHALL BE GREATER IN AMOUNT IN AGGREGATE THAN THE PURCHASE PRICE OF THE PRODUCTS IN RESPECT OF WHICH DAMAGES ARE CLAIMED. Buyer shall indemnify and hold harmless Supplier, its officers, agents, employees, subsidiaries, parents, affiliates and insurers from and against any and all liabilities, damages, losses, claims, lawsuits, including costs and expenses in connection therewith, for death or injury to any persons or loss of any property whatsoever, caused in any manner by Buyer's possession, use or operation of equipment.
12. Non-Waiver; Remedies: No waiver of any breach of these Terms and Conditions shall constitute a waiver of any prior or subsequent breach of any similar or dissimilar provision or a modification of the contract. All Supplier rights and remedies, whether evidenced hereby or by any other contract or document, shall be cumulative and nonexclusive and may be exercised singularly or concurrently.
13. Applicable Law; Dispute resolution; Severability: The validity, performance and construction of the contract shall be governed by the laws of the State of Washington, without regard to conflict of laws provisions. Any claim, dispute or other matter in question arising out of or relating to this provision, shall be subject to mediation as a condition precedent to binding dispute resolution. Any mediation under this Agreement shall be administered by the American Arbitration Association in accordance with its mediation procedures then in effect. The parties shall equally share the mediator's fee and any filing fees. If the parties do not resolve their dispute through mediation, the dispute shall be resolved in mandatory arbitration pursuant to an arbitration administered by the American Arbitration Association in accordance with its arbitration rules then in effect. The arbitrator(s) award shall be final and judgment may be entered upon it in accordance with applicable in any court having jurisdiction thereof. Any mediation or arbitration shall be held in Seattle, WA. If supplier is the substantially prevailing party, supplier will be entitled to and awarded, in addition to any other relief, its reasonable costs incurred, including attorneys' fees. Notwithstanding any attempts to resolve differences, any action brought by Buyer against Supplier arising out of this contract or Buyer's purchase and use of the equipment must be commenced within one year after such action accrues and in no event later than two years after date of shipment of such equipment. If any provision of these Terms and Conditions is held to be unenforceable, such holding shall not affect the enforceability of any other provision.
14. Government Contracts: If the products to be furnished under the contract are to be used in the performance of a United States Government contract or subcontract, the Government contract number and a statement to that effect shall appear on Buyer's purchase order. If Buyer's purchase order includes all of said information and if said order is accepted in writing by Supplier, then those clauses of the applicable Government procurement regulations which are mandatorily required by Federal statute or regulation to be included in this contract shall be incorporated herein by reference. In all other events, said clauses shall not be incorporated herein by reference.
15. Export: Regardless of any disclosure made by Buyer to Supplier of the ultimate destination of Supplier product(s), Buyer shall not export either directly or indirectly any Supplier product, or any system incorporating said product(s) either in contravention of statute or regulation or without first obtaining all required licenses and permits from the United States Department of Commerce and any other relevant agencies or departments of the United States government.
16. Assignment: The contract shall be binding upon and inure to the benefit of the parties and their respective legal representatives, successors and permitted assigns. The contract is personal to Buyer, and Buyer may not assign any of its rights or delegate any of its obligations hereunder, in whole or in part, without the prior written consent of Supplier, which Supplier may withhold for any reason or no reason.
17. Entire Agreement; Modifications: This contract constitutes the entire agreement between the parties as relates to the sale of the equipment and no addition to or modification of any provision of said agreement, together with any agreement to which these Terms and Conditions are an exhibit or schedule, and shall be binding upon Supplier unless agreed to in writing by Supplier.
18. Notices: All notices given under the contract shall be in writing, mailed by first class mail, certified or registered, or delivered by hand to the address of the other party set forth in the quotation or to such other address as such party may designate from time to time by such notice, and shall take effect when received.

Product Return Process

The following describes the process for returning products. This is broken down into two main processes:

1. **RMA (Return Material Authorization) process for NEW PRODUCT**
2. **RMA (Return Material Authorization) process for IN SERVICE PRODUCT**

RMA (Return material Authorization) process for NEW PRODUCT

This process is used to return a new product because it failed to work on initial startup (damaged on arrival) or the end customer wants to return the product to stock.

- **Damaged on arrival** = Out of box failures, determined at time of initial power up and within 30 days of shipment from Microscan.
 1. Contact your inside sales representative with the FIS part number, serial number, original sales order and/or purchase order and description of failure.
 2. RMA# issued only by Inside Sales Rep. This number **MUST** appear on the outside of the shipping container and on all related paperwork. Product must be returned in it's original factory packaging. If defective scanner is covered under our standard warranty terms, customers ORIGINAL SALES ORDER will be credited.
 3. If required, a REPLACEMENT sales order can be entered immediately for ASAP shipment. NOTE - Replacement scanner is processed as a NEW order and NEW INVOICE is generated at time of shipment.
- **Returns to stock** = Must be requested within 30 days of original shipment date from Microscan.
 1. Contact your inside sales representative with FIS or accessory part number, serial number (if applicable), original sales order and/or purchase order and reason for return. Upon approval all returns are subject to a standard 20% restocking fee.
 2. RMA# issued by Inside Sales Rep. This number **MUST** appear on the outside of the shipping container and on all related paperwork. Product must be returned in it's original factory packaging.

RMA (return material authorization) process for IN SERVICE PRODUCT

This process is used to return a product that needs to be repaired.

- **IN WARRANTY**
 1. Contact Customer Service (425-226-5700) with the part number, serial number, description of failure, and request a return material authorization form (RMA).
 2. The RMA# issued by a Customer Service Representative **MUST** appear on the outside of the shipping container and on all related paperwork.
- **OUT OF WARRANTY**
 1. Contact Customer Service as per "In Warranty" (above) and request a return material authorization form. Upon completion of this document, return it along with your confirming PURCHASE ORDER and an RMA# will then be issued authorizing the return of the product.
 2. The RMA# issued by a Customer Service Representative **MUST** appear on the outside of the shipping container and on all related paperwork.

MICROSCAN.

Auto ID Barcode Readers

MS-1 Series Scan Engines

Read Ranges *

Narrow Bar		Laser High Density	
5 mil (.127 mm)		0.6" to 2.1" (15 to 53 mm)	
10 mil (.254 mm)		0.6" to 4.1" (15 to 104 mm)	
15 mil (.381 mm)		0.6" to 5.1" (15 to 130 mm)	
Narrow Bar		Laser Low Density	
5 mil (.127 mm)		1.8" to 3.6" (46 to 91 mm)	
10 mil (.254 mm)		1.8" to 7.0" (46 to 178 mm)	
20 mil (.508 mm)		1.8" to 12.6" (46 to 320 mm)	



*** NOTE: MS1 16 Bit Scan Engines are available in our Legacy Section of this Price Book.

Important Pricing Discount Note Product discounts are applied based on the Product TYPE as indicated in the TYPE column of each price sheet.

Three (3) Product Types are defined as follows: P = PRODUCT Discount, VP= Vision/NER Product Discount, or A=Accessory level discount.

Refer to your Partner Agreement for the actual discount percentage by Product Type.

MS-1 (32 bit) Series Scan Engine

Part Number	Description	List Price	Type
FIS-0001-8003G	CCD Scan Engines, Low Density, 32 bit, 8-pack	€ 792	P
FIS-0001-8004G	CCD Scan Engines, High Density, 32 bit, 8-pack	€ 792	P

Accessories

Part Number	Description	List Price	Type
98-000097-01	MS-1 Demonstration Kit (Note: Kit contains 1 HD MS-1 and 1 LD MS-1)	€ 226	A
98-000051-01	IC-3USB, USB Conversion Kit	€ 75	A

Package Detector/Sensor

Part Number	Description	List Price	Type
99-000017-01	Photo Sensor, Visible NPN, DARK ON	€ 175	A
99-000017-02	Photo Sensor, Visible NPN, LIGHT ON	€ 175	A

Software/Manuals

Part Number	Description	List Price	Type
37-000001-01	TOOLS CD, User's Manuals, ESP Software*	€ 30	A

MICROSCAN.

MS-2 Series CCD Readers

Read Ranges

Narrow Bar	High Density
5 mil (.127 mm)	0.4" to 1.9" (10 to 48 mm)
10 mil (.254 mm)	0.4" to 3.9" (10 to 99 mm)
15 mil (.381 mm)	0.4" to 4.9" (10 to 124 mm)
Narrow Bar	Low Density
5 mil (.127 mm)	1.6" to 3.4" (36 to 84 mm)
10 mil (.254 mm)	1.6" to 6.8" (36 to 188 mm)
20 mil (.508 mm)	1.6" to 12.4" (36 to 325 mm)



*** NOTE: MS2 16 Bit Scan Engines are available in our Legacy Section of this Price Book.

MS-2 (32 bit)

Part Number	Description	List Price	Type
FIS-0002-0005G	MS-2, CCD, Low Density, 32 bit, RS232 Serial	€ 325	P
FIS-0002-0006G	MS-2, CCD, Low Density, 32 bit, USB	€ 325	P
FIS-0002-0007G	MS-2, CCD, High Density, 32 bit , RS232 Serial	€ 325	P
FIS-0002-0008G	MS-2, CCD, High Density, 32 bit, USB	€ 325	P

Accessories

Part Number	Description	List Price	Type
FIS-0210-0001G	MS-Connect 210*, Connectivity Box with Display	€ 495	A
FIS-0210-0002G	MS-Connect 210*, Connectivity Box	€ 325	A
FIS-0210-0003G	MS-Connect 210*, Connectivity Box with Display and Ethernet	€ 655	A
FIS-0210-0004G	MS-Connect 210*, Connectivity Box with Ethernet	€ 495	A
98-000013-04	Relay Module, 120VAC, 3 Amp Output, Series 70, Type SM, for MS-Connect 210 and MS-890	€ 47	A
98-000013-05	Relay Module, 240VAC, 3 Amp Output, Series 70, Type SM for MS-Connect 210 and MS-890	€ 47	A
98-000013-06	Relay Module, 24VDC, 3 Amp Output, Series 70, Type SM for MS-Connect 210 and MS-890	€ 47	A
61-000127-02	Cable, MS-2 to MS-Connect 210, 6 ft	€ 100	A
FIS-0001-0030G	IB-3PC Keyboard Wedge/Interface Box	€ 100	A
98-000051-01	IC-3USB, USB Conversion Kit	€ 75	A
FIS-0001-0035G	IC-332, Connects MS-2 to IB-131	€ 150	A
99-000018-01	IB-131, Interface Box	€ 150	A
98-000039-02	Kit, IB-152, DB25 Plug Terminal Block, DB25 Gender Changer	€ 125	A
61-300026-03	Cable, Communication, DB-25 Plug to DB-9 Socket, 6 ft	€ 30	A
61-000010-02	Cable, Communication, DB-9 Socket to DB-9 Socket, 6 ft	€ 30	A
61-000011-02	Cable, MS-820 to IB-131 (also use for MS-2, 3, 4, 9, 710 and MINI Extension)	€ 30	A
61-000143-01	Firmware Upgrade Adapter for MS-2	€ 30	A
61-100029-03	Cable, IB-131 Daisy Chain, 1 ft	€ 30	A
20-500013-01	DeviceNet Protocol Box ¹	€ 595	A

* For MS-Connect 210 accessory discount applies

MICROSCAN.

Power Supplies

Part Number	Description	List Price	Type
97-000002-01	Power Supply, 90-264 VAC,+5VDC, USA /Euro Plug (use with IB-3PC)	€ 75	A
97-100004-15	Power Supply, 90-264 VAC,+24VDC USA /Euro Plug (only use with IC-332)	€ 125	A

Mounting and Connectors

Part Number	Description	List Price	Type
98-000048-01	Mounting Arm/Adapter Kit, 4 inch, MS-2, MS-3	€ 70	A
98-000054-01	Kit, Mounting Stand Base Plate, MS-2, MS-3	€ 30	A
98-000053-01	Extension Kit, 4 inch, MS-2, MS-3	€ 35	A
98-000053-02	Mounting Arm Extension Kit, 3 inch, MS-2, MS-3	€ 35	A
98-000060-01	Kit, Bracket, Side Mount, MS-2, MS-3	€ 20	A
98-000059-01	Kit, Bracket, Angle Mount, MS-2, MS-3	€ 20	A
98-000057-01	Kit, Bracket, Through Hole Mount, MS-2, MS-3	€ 20	A
98-000058-02	Kit, Extended Right Angle Mirror, MS-2, MS-3	€ 50	A
98-000061-03	MS-2, MS-3 to MS-520/MS-525, Bracket Conversion Kit	€ 20	A
20-610024-01	Trigger Connector, 4-pin Plug (screw terminal and field wireable for custom wiring into IB-131)	€ 30	A
20-610020-01	Power Connector, 3-pin Socket (screw terminal and field wireable for custom wiring into IB-131)	€ 30	A

Package Detector/Sensor

Part Number	Description	List Price	Type
99-000017-01	Photo Sensor, Visible, NPN, DARK ON (for use with IB-131)	€ 175	A
99-000017-02	Photo Sensor, Visible, NPN, LIGHT ON (for use with IB-131)	€ 175	A

Software/Manuals

Part Number	Description	List Price	Type
37-000001-01	TOOLS CD, User's Manuals, ESP Software*	€ 30	A

* 1 free per order, 37-000001-02 (CD ROM only) can be ordered for free if larger quantity is required.

Note:

**MS-2 Tech References are equal to MS-3 Laser with the exception of Daisy Chain
Visit the MS-3 Laser section for configuration references**

MICROSCAN.

MS-3 Series Scanners

Read Ranges *

Narrow Bar	Laser High Density*
3.3 mil (.084 mm)	2.3" to 2.6" (58 to 66 mm)
5 mil (.127 mm)	2.0" to 3.1" (51 to 79 mm)
7.5 mil (.191 mm)	1.7" to 3.7" (43 to 94 mm)
10 mil (.254 mm)	1.5" to 4.0" (38 to 102 mm)
Narrow Bar	Laser Low Density*
7.5 mil (.191 mm)	3.0" to 6.0" (76 to 152 mm)
10 mil (.254 mm)	2.0" to 7.0" (51 to 178 mm)
15 mil (.381 mm)	2.0" to 8.0" (51 to 203 mm)
20 mil (.508 mm)	2.0" to 10.0" (51 to 254 mm)



*Call for custom focus. For right-angle version, subtract ~0.6" (15mm) from Read Range.

****Important Pricing Discount Note**** Product discounts are applied based on the Product TYPE as indicated in the TYPE column of each price sheet.

Three (3) Product Types are defined as follows: P = PRODUCT Discount, VP= Vision/NER Product Discount, or A=Accessory level discount.

Refer to your Partner Agreement for the actual discount percentage by Product Type.

Scanners MS-3 Standard

Part Number	Description	List Price	Type
FIS-0003-0001G	Laser, Single Line, Low Density	€ 740	P
FIS-0003-0002G	Laser, Single Line, High Density	€ 740	P
FIS-0003-0003G	Laser, Raster, Low Density	€ 790	P
FIS-0003-0004G	Laser, Raster, High Density	€ 790	P
FIS-0003-0005G	Laser, Single Line, Low Density, Right Angle	€ 840	P
FIS-0003-0006G	Laser, Single Line, High Density, Right Angle	€ 840	P
FIS-0003-0007G	Laser, Raster, Low Density, Right Angle	€ 890	P
FIS-0003-0008G	Laser, Raster, High Density, Right Angle	€ 890	P
FIS-0003-0009G	Laser, Single Line, Low Density, 6" Cable	€ 740	P
FIS-0003-0010G	Laser, Single Line, High Density, 6" Cable	€ 740	P
FIS-0003-0011G	Laser, Raster, Low Density, 6" Cable	€ 790	P
FIS-0003-0012G	Laser, Raster, High Density, 6" Cable	€ 790	P
FIS-0003-0013G	Laser, Single Line, Low Density, Right Angle, 6" Cable	€ 840	P
FIS-0003-0014G	Laser, Single Line, High Density, Right Angle, 6" Cable	€ 840	P
FIS-0003-0015G	Laser, Raster, Low Density, Right Angle, 6" Cable	€ 890	P
FIS-0003-0016G	Laser, Raster, High Density, Right Angle, 6" Cable	€ 890	P
FIS-0003-0017G	Laser, Single Line, Low Density, PDF	€ 840	P
FIS-0003-0018G	Laser, Single Line, High Density, PDF	€ 840	P
FIS-0003-0019G	Laser, Raster, Low Density, PDF	€ 890	P
FIS-0003-0020G	Laser, Raster, High Density, PDF	€ 890	P
FIS-0003-0021G	Laser, Single Line, Low Density, Right Angle, PDF	€ 940	P
FIS-0003-0022G	Laser, Single Line, High Density, Right Angle, PDF	€ 940	P
FIS-0003-0023G	Laser, Raster, Low Density, Right Angle, PDF	€ 990	P
FIS-0003-0024G	Laser, Raster, High Density, Right Angle, PDF	€ 990	P
FIS-0003-0025G	Laser, Single Line, Low Density, 6" Cable, PDF	€ 840	P
FIS-0003-0026G	Laser, Single Line, High Density, 6" Cable, PDF	€ 840	P
FIS-0003-0027G	Laser, Raster, Low Density, 6" Cable, PDF	€ 890	P
FIS-0003-0028G	Laser, Raster, High Density, 6" Cable, PDF	€ 890	P
FIS-0003-0029G	Laser, Single Line, Low Density, Right Angle, 6" Cable, PDF	€ 940	P
FIS-0003-0030G	Laser, Single Line, High Density, Right Angle, 6" Cable, PDF	€ 940	P
FIS-0003-0031G	Laser, Raster, Low Density, Right Angle, 6" Cable, PDF	€ 990	P
FIS-0003-0032G	Laser, Raster, High Density, Right Angle, 6" Cable, PDF	€ 990	P
FIS-0003-0033G	Laser, Single Line, Low Density, VS-310 Replacement	€ 740	P
FIS-0003-0034G	Laser, Single Line, High Density, VS-310 Replacement	€ 740	P
FIS-0003-0035G	Laser, Raster, Low Density, VS-310 Replacement	€ 790	P
FIS-0003-0036G	Laser, Raster, High Density, VS-310 Replacement	€ 790	P
FIS-0003-0037G	Laser, Single Line, Low Density, MS-610 Replacement	€ 890	P
FIS-0003-0038G	Laser, Raster, Low Density, MS-610 Replacement	€ 940	P
FIS-0003-0039G	Laser, Raster, Low Density, Keyence Replacement	€ 740	P

Prices and Specifications Subject to Change

€100 Minimum Order

Tel: 425.226.5700
Fax: 425.226.8250

07-000001-01, Rev AC
www.microscan.com

Confidential Document

Page 10 of 109

MS-3 Series Scanner Accessories

Accessories

Part Number	Description	List Price	Type
FIS-0210-0001G	MS-Connect 210**, Connectivity Box with Display	€ 495	A
FIS-0210-0002G	MS-Connect 210**, Connectivity Box	€ 325	A
FIS-0210-0003G	MS-Connect 210**, Connectivity Box with Display and Ethernet	€ 655	A
FIS-0210-0004G	MS-Connect 210**, Connectivity Box with Ethernet	€ 495	A
98-000013-04	Relay Module, 120VAC, 3 Amp Output, Series 70, Type SM, for MS-Connect 210	€ 47	A
98-000013-05	Relay Module, 240VAC, 3 Amp Output, Series 70, Type SM for MS-Connect 210	€ 47	A
98-000013-06	Relay Module, 24VDC, 3 Amp Output, Series 70, Type SM for MS-Connect 210	€ 47	A
61-000127-02	Cable, IC-332 to MS-Connect 210, 6 ft	€ 100	A
FIS-0001-0030G	IB-3PC Keyboard Wedge/Interface Box	€ 100	A
98-000051-01	IC-3USB, USB Conversion Kit	€ 75	A
FIS-0001-0035G	IC-332, Connects MS-3 to IB-131 or MS-connect 210	€ 150	A
99-000018-01	IB-131, Interface Box	€ 150	A
98-000039-02	Kit, IB-152, DB25 Plug Terminal Block, DB25 Gender Changer	€ 125	A
61-300026-03	Cable, Communication, DB-25 Plug to DB-9 Socket, 6 ft	€ 30	A
61-000010-02	Cable, Communication, DB-9 Socket to DB-9 Socket, 6 ft	€ 30	A
61-000011-02	Cable, MS-820 to IB-131 (also use for MS-3, 4, 9, 710 and MINI Extension)	€ 30	A
61-100029-03	Cable, IB-131 Daisy Chain, 1 ft	€ 30	A
20-500013-01	DeviceNet Protocol Box ¹	€ 595	A

Power Supplies

Part Number	Description	List Price	Type
97-000002-01	Power Supply, 90-264 VAC,+5VDC, USA /Euro Plug (use with IB-3PC)	€ 75	A
97-100004-15	Power Supply, 90-264 VAC,+24VDC USA /Euro Plug (only use with IC-332 or connect 210)	€ 125	A

Mounting and Connectors

Part Number	Description	List Price	Type
98-000048-01	Mounting Arm/Adapter Kit, 4 inch, MS-3	€ 70	A
98-000054-01	Kit, Mounting Stand Base Plate, MS-3	€ 30	A
98-000053-01	Extension Kit, 4 inch, MS-3	€ 35	A
98-000053-02	Extension Kit, 3 inch, MS-3	€ 35	A
98-000060-01	Kit, Bracket, Side Mount, MS-3	€ 20	A
98-000059-01	Kit, Bracket, Angle Mount, MS-3	€ 20	A
98-000057-01	Kit, Bracket, Through Hole Mount, MS-3	€ 20	A
98-000058-02	Kit, Extended Right Angle Mirror, MS-3	€ 50	A
98-000061-03	MS-3 to MS-520/MS-525, Bracket Conversion Kit	€ 20	A
20-610024-01	Trigger Connector, 4-pin Plug (screw terminal and field wireable- cust. wiring IB-131/MS-Con.	€ 30	A
20-610020-01	Power Connector, 3-pin Socket (screw term.and field wireable - cust. wiring IB-131/MS-Con. 2	€ 30	A

Package Detector/Sensor

Part Number	Description	List Price	Type
99-000017-01	Photo Sensor, Visible, NPN, DARK ON (IB-131 and MS-Connect 210)	€ 175	A
99-000017-02	Photo Sensor, Visible, NPN, LIGHT ON (IB-131 and MS-Connect 210)	€ 175	A

Software/Manuals

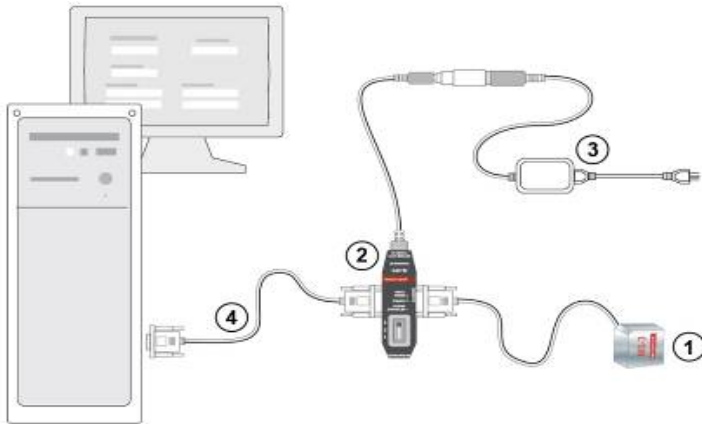
Part Number	Description	List Price	Type
37-000001-01	TOOLS CD, User's Manuals, ESP Software *	€ 30	A

* 1 free per order, 37-000001-02 (CD ROM only) can be ordered for free if larger quantity is required.

Tech Reference MS-3

Stand Alone (5V)

This is the basic setup for a single MS-3.



System Matrix

Product	Reference No.	Description	List Price
(1) MS-3 Laser	FIS-0003-XXXXG	Scanner Model	Varies
(2) IB-3PC	FIS-0001-0030G	Keyboard Wedge/Interface Box	€ 100
(3) Power Supply	97-000002-01	Power Supply, 90-264 VAC, +5VDC	€ 75
(4) Communication Cable	61-000010-02	9-pin Socket to 9-pin Socket, 6 ft	€ 30
Mounting Arm/Adapter Kit	98-000048-01	4" (102mm) Mounting Kit	€ 70
Mounting Plate	98-000054-01	Mounting Stand Base Plate, Small	€ 30
User's Manuals, ESP Software	37-000001-01	TOOLS CD, User's Manuals, ESP Software *	€ 30

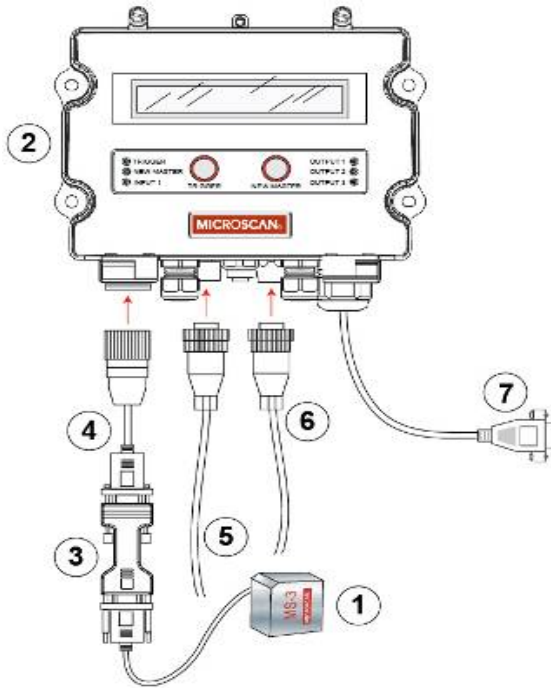
* 1 free per order, 37-000001-02 (CD ROM only) can be ordered for free if larger quantity is required.

MICROSCAN.

Tech Reference MS-3

Stand Alone (5V)

This is the basic setup for a single MS-3 and MS-Connect 210.



System Matrix

Product	Reference No.	Description	List Price
(1) MS-3 Laser	FIS-0003-XXXXG	Scanner Model	Varies
(2) MS-Connect 210	FIS-0210-000XG	Connectivity Box *	Varies
(3) IC-332	FIS-0001-0035G	Converts the Voltage Level to 10-28 for the MS-3	€ 150
(4) Reader Cable	61-000127-02	Cable, MS-3 to MS-Connect 210, 6 ft	€ 100
(5) Power Supply	97-100004-15	Power Supply, 90-264 VAC, 24VDC USA /Euro Plug	€ 125
(6) Object Detector	99-000017-02	Photo Sensor, Visible, NPN, LIGHT ON	€ 175
(7) Host Cable	61-000105-01	Pre-stripped RS-232, 9-pin host cable **	€ 30
User's Manuals, ESP Software	37-000001-01	TOOLS CD, User's Manuals, ESP Software ***	€ 30

* See MS-Connect Series section for a complete listing of Accessories

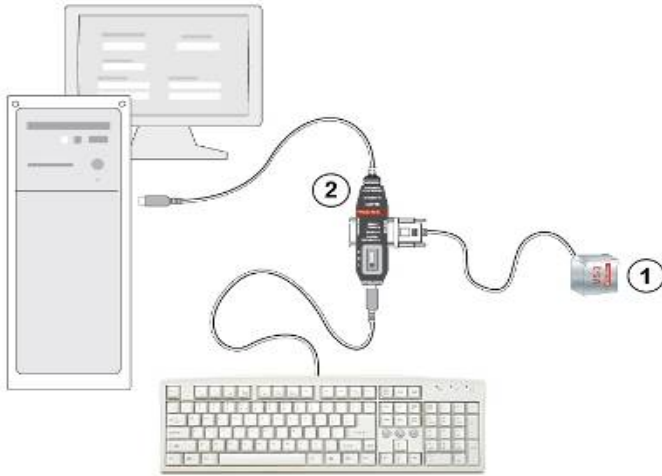
** 1 free host cable is included with each MS-Connect 210

* 1 free per order, 37-000001-02 (CD ROM only) can be ordered for free if larger quantity is required.

MICROSCAN.

Tech Reference MS-3 Keyboard Wedge

Allows the scanner to bypass RS-232 port and input data to a host via the keyboard line.



System Matrix

Product	Reference No.	Description	List Price
(1) MS-3 Laser	FIS-0003-XXXXG	Scanner Model	Varies
(2) IB-3PC	FIS-0001-0030G	Keyboard Wedge/Interface Box	€ 100
Mounting Arm/Adapter Kit	98-000048-01	4" (102mm) Mounting Kit	€ 70
Mounting Plate	98-000054-01	Mounting Stand Base Plate, Small	€ 30
User's Manuals, ESP Software	37-000001-01	TOOLS CD, User's Manuals, ESP Software *	€ 30

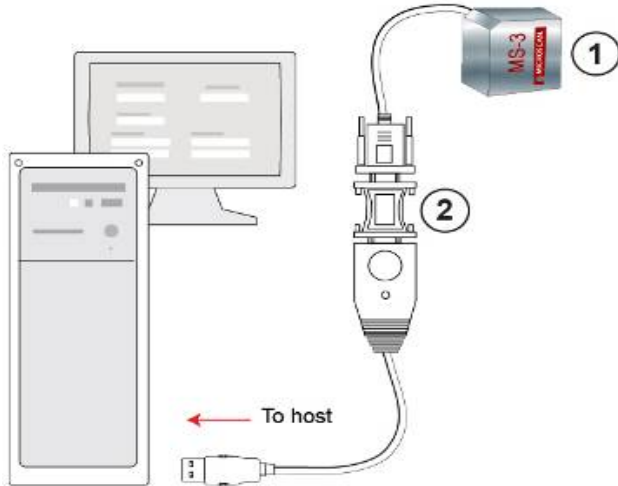
* 1 free per order, 37-000001-02 (CD ROM only) can be ordered for free if larger quantity is required.

MICROSCAN.

Tech Reference MS-3

USB

Allows the scanner to be powered and communicate via a USB port (virtual com port).



System Matrix

Product	Reference No.	Description	List Price
(1) MS-3 Laser	FIS-0003-XXXXG	Scanner Model	Varies
(2) USB Conversion Kit	98-000051-01	Converts to USB Standard	€75
Mounting Arm/Adapter Kit	98-000048-01	4" (102mm) Mounting Kit	€70
Mounting Plate	98-000054-01	Mounting Stand Base Plate, Small	€30
User's Manuals, ESP Software	37-000001-01	TOOLS CD, User's Manuals, ESP Software *	€30

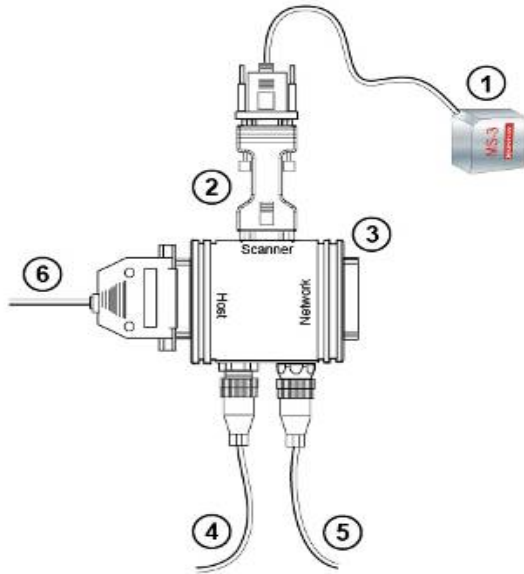
* 1 free per order, 37-000001-02 (CD ROM only) can be ordered for free if larger quantity is required.

MICROSCAN.

Tech Reference MS-3

Stand Alone (10-28V)

This is the basic setup for a single MS-3.



System Matrix

Product	Reference No.	Description	List Price
(1) MS-3 Laser	FIS-0003-XXXXG	Scanner Model	Varies
(2) IC-332	FIS-0001-0035G	Adapts an MS-3 to an MS-9 Pinout, Converts the Voltage Level to 10-28, Allows Connection to IB-131	€ 150
(3) IB-131	99-000018-01	Interface Box	€ 150
(4) Power Supply	97-100004-15	Power Supply, 90-264 VAC, 24VDC USA /Euro Plug	€ 125
(5) Object Detector (If applicable)	99-000017-01	Photo Sensor, Visible, NPN, DARK ON	€ 175
(6) Communication Cable	61-300026-03	25-pin Plug to 9-pin Socket , 6 ft	€ 30
Mounting Arm/Adapter Kit	98-000048-01	4" (102mm) Mounting Kit	€ 70
Mounting Plate	98-000054-01	Mounting Stand Base Plate, Small	€ 30
User's Manuals, ESP Software	37-000001-01	TOOLS CD, User's Manuals, ESP Software *	€ 30

* 1 free per order, 37-000001-02 (CD ROM only) can be ordered for free if larger quantity is required.

Prices and Specifications Subject to Change

Tel: 425.226.5700
Fax: 425.226.8250

€100 Minimum Order

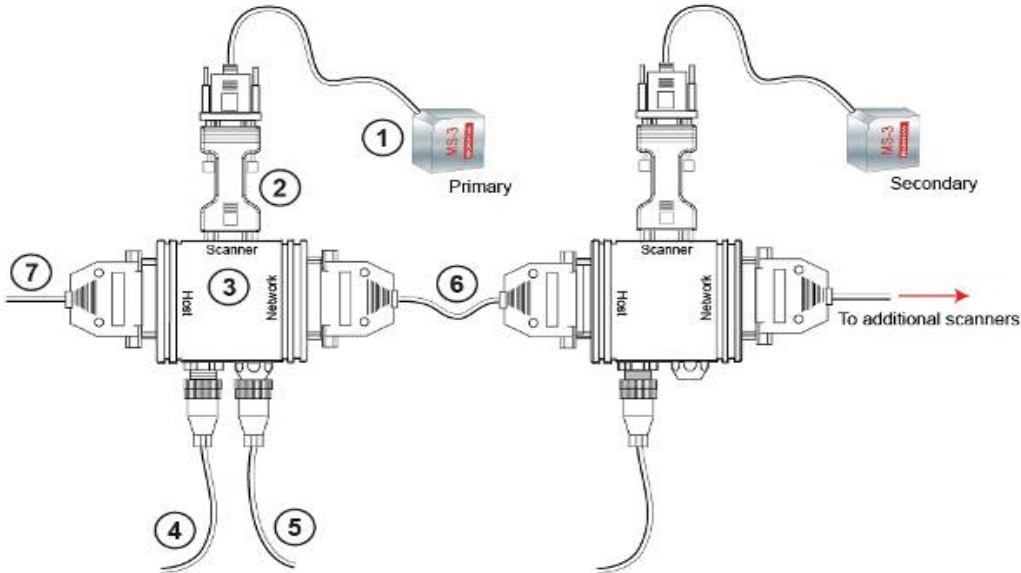
07-000001-01, Rev AC
www.microscan.com

Confidential Document

Page 16 of 109

Daisy Chain

A primary scanner is linked directly to the host. Secondary scanners (up to 9) are linked in tandem. Data is sent from the primary scanner directly to the host.

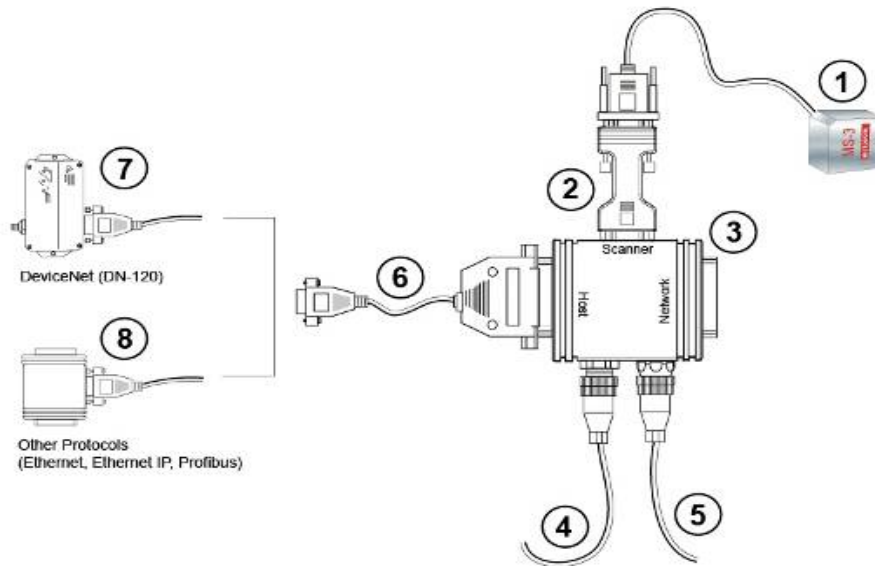


System Matrix

Product	Reference No.	Description	List Price
(1) MS-3 Laser	FIS-0003-XXXXG	Scanner Model	Varies
(2) IC-332	FIS-0001-0035G	Adapts an MS-3 to an MS-9 Pinout, Converts the Voltage Level to 10-28, Allows Connection to IB-131	€ 150
(3) IB-131	99-000018-01	Interface Box	€ 150
(4) Power Supply	97-100004-15	Power Supply, 90-264 VAC, 24VDC USA /Euro Plug	€ 125
(5) Object Detector (If applicable)	99-000017-01	Photo Sensor, Visible, NPN, DARK ON	€ 175
(6) Daisy Chain Trunk Cable	61-100029-03	IB-131 to IB-131, 1 ft (0.3 meters)	€ 30
(7) Comm. Cable	61-300026-03	25-pin Plug to 9-pin Socket, 6 ft	€ 30
Mounting Arm/Adapter Kit	98-000048-01	4" (102mm) Mounting Kit	€ 70
Mounting Plate	98-000054-01	Mounting Stand Base Plate, Small	€ 30
User's Manuals, ESP Software	37-000001-01	TOOLS CD, User's Manuals, ESP Software *	€ 30

* 1 free per order, 37-000001-02 (CD ROM only) can be ordered for free if larger quantity is required.

Optional Interface Protocols



System Matrix

Product	Reference No.	Description	List Price
(1) MS-3 Laser	FIS-0003-XXXXG	Scanner Model	Varies
(2) IC-332	FIS-0001-0035G	Adapts an MS-3 to an MS-9 Pinout, Converts the Voltage Level to 10-28, Allows Connection to IB-131	€ 150
(3) IB-131	99-000018-01	Interface Box	€ 150
(4) Power Supply	97-100004-15	Power Supply, 90-264 VAC, 24VDC USA /Euro Plug	€ 125
(5) Object Detector (If applicable)	99-000017-01	Photo Sensor, Visible, NPN, DARK ON	€ 175
(6) Communication Cable	61-300026-03	25-pin Plug to 9-pin Socket , 6 ft	€ 30
(7) DN-120	20-500013-01	DeviceNet Protocol Box ¹	€ 595
(8) Other Protocols (Ethernet, EtherNet/IP, Profibus)	Third Party	Ask your Microscan sales representative which solution is appropriate for your application.	Varies
Mounting Arm/Adapter Kit	98-000048-01	4" (102mm) Mounting Kit	€ 70
Mounting Plate	98-000054-01	Mounting Stand Base Plate, Small	€ 30
User's Manuals, ESP Software	37-000001-01	TOOLS CD, User's Manuals, ESP Software *	€ 30

¹ Part is not RoHS compliant.

* 1 free per order, 37-000001-02 (CD ROM only) can be ordered for free if larger quantity is required.

MICROSCAN

MS-9 High Speed Scanner

Read Ranges *

Narrow Bar	High Density
5 mil (.127 mm)	1.75" to 3.0" (44 to 76 mm)
7.5 mil (.191 mm)	1.5" to 4.0" (38 to 101 mm)
Narrow Bar	Low Density
7.5 mil (.191 mm)	2.0" to 5.0" (50 to 127 mm)
10 mil (.254 mm)	1.5" to 6.0" (38 to 152 mm)
15 mil (.381 mm)	1.0" to 7.0" (25 to 178 mm)
20 mil (.508 mm)	1.0" to 9.0" (25 to 230 mm)

* Call for custom focus.



****Important Pricing Discount Note**** Product discounts are applied based on the Product TYPE as indicated in the TYPE column of each price sheet.

Three (3) Product Types are defined as follows: P = PRODUCT Discount, VP= Vision/NER Product Discount, or A=Accessory level discount.

Refer to your Partner Agreement for the actual discount percentage by Product Type.

Scanners *

Part Number	Description	List Price	Type
FIS-0911-0001G	Single Line, Low Density, RS-232/422/485, 10-28 VDC	€ 1,495	P
FIS-0911-0002G	Single Line, High Density, RS-232/422/485, 10-28 VDC	€ 1,495	P
FIS-0911-0003G	Single Line, OMR, Low Density, RS-232/422/485, 10-28 VDC	€ 1,695	P
FIS-0911-0004G	Single Line, OMR, High Density, RS-232/422/485, 10-28 VDC	€ 1,695	P
FIS-0911-0005G	Raster Line, Low Density, RS-232/422/485, 10-28 VDC	€ 1,595	P
FIS-0911-0006G	Raster Line, High Density, RS-232/422/485, 10-28 VDC	€ 1,595	P
FIS-0911-0007G	Single Line, Low Density, Pharmacode, RS-232/422/485, 10-28 VDC	€ 1,495	P

* Scanner has a 3 ft cable terminated with a HD 15 Pin D-sub.

Accessories

Part Number	Description	List Price	Type
FIS-0210-0001G	MS-Connect 210, Connectivity Box with Display	€ 495	A
FIS-0210-0002G	MS-Connect 210, Connectivity Box	€ 325	A
FIS-0210-0003G	MS-Connect 210, Connectivity Box with Display and Ethernet	€ 655	A
FIS-0210-0004G	MS-Connect 210, Connectivity Box with Ethernet	€ 495	A
98-000013-04	Relay Module, 120VAC, 3 Amp Output, Series 70, Type SM, for MS-Connect 210	€ 47	A
98-000013-05	Relay Module, 240VAC, 3 Amp Output, Series 70, Type SM for MS-Connect 210	€ 47	A
98-000013-06	Relay Module, 24VDC, 3 Amp Output, Series 70, Type SM for MS-Connect 210	€ 47	A
61-000127-02	Cable, MS-9 to MS-Connect 210, 6 ft	€ 100	A
99-000018-01	IB-131 Interface Box	€ 150	A
FIS-0001-0030G	IB-3PC Keyboard Wedge/Interface Box *	€ 100	A
20-500013-01	DeviceNet Protocol Box **	€ 595	A
98-000051-01	USB Conversion Kit, IC-3USB *	€ 75	A
98-000039-02	Kit, IB-152, DB25 Plug Terminal Block, DB25 Gender Changer *	€ 125	A
61-300026-03	Cable, Communication, DB-25 Plug to DB-9 Socket, 6 ft.	€ 30	A
61-100029-03	Cable, IB-131 Daisy Chain, 1 ft	€ 30	A
61-000011-02	Cable, MS-820 to IB-131 (also use for MS-3, 4, 9, 710 and MINI Extension)	€ 30	A

* Works with IB-131. ** Works with IB-131; not RoHS compliant.

Power Supply

Part Number	Description	List Price	Type
97-100004-15	Power Supply, 90-264 VAC, 24VDC, USA /Euro Plug	€ 125	A

Mounting and Connectors

Part Number	Description	List Price	Type
98-200036-01	Right Angle Down Mirror	€ 75	A
98-000092-01	Standard Flat Mounting Plate Kit, Custom Surfaces	€ 20	A
20-610024-01	Trigger Connector, 4-pin Plug (screw terminal and field wireable) (for self wiring)	€ 30	A
20-610020-01	Power Connector, 3-pin Socket (screw terminal and field wireable) (for self wiring)	€ 30	A
98-000019-01	Mounting Arm/Adapter Kit, MS-9, 6 inch	€ 90	A
98-000037-01	Extension Kit, All Scanners', 6 inch	€ 55	A
98-000054-01	Kit, Mounting Stand Base Plate, Small	€ 30	A

Package Detector/Sensor

Part Number	Description	List Price	Type
99-000017-01	Photo Sensor, Visible, NPN, DARK ON	€ 175	A
99-000017-02	Photo Sensor, Visible, NPN, LIGHT ON	€ 175	A

Prices and Specifications Subject to Change

€100 Minimum Order

Tel: 425.226.5700
Fax: 425.226.8250

07-000001-01, Rev AC
www.microscan.com

Confidential Document

Page 19 of 109

Software/Manuals

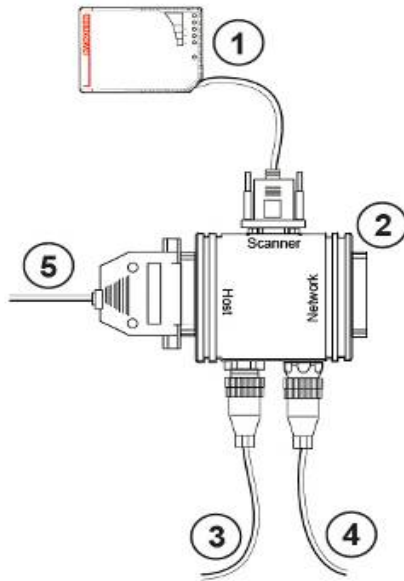
Part Number	Description	List Price	Type
37-000001-01	TOOLS CD, User's Manuals, ESP Software *	€ 30	A

* 1 free per order, 37-000001-02 (CD ROM only) can be ordered for free if larger quantity is required.

Tech Reference MS-9

Stand Alone

This is the basic setup for a single MS-9.



System Matrix

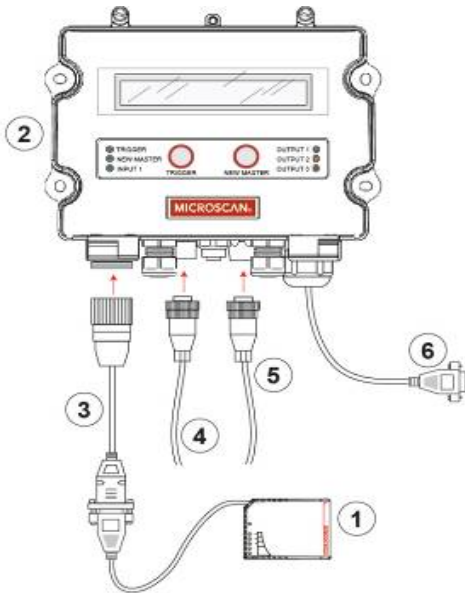
Product	Reference No.	Description	List Price
(1) MS-9	FIS-0911-XXXXG	Scanner Models	Varies
(2) IB-131	99-000018-01	Interface Module	€ 150
(3) Power Supply	97-100004-15	Power Supply, 90-264 VAC, 24VDC USA /Euro Plug	€ 125
(4) Object Detector (If applicable)	99-000017-01	Photo Sensor, Visible, NPN, DARK ON	€ 175
(5) Communication Cable	61-300026-03	Connects Decoder to the PC (Host), 6 ft	€ 30
Mounting Arm/Adapter Kit	98-000019-01	Adjustable, 6 inch Mounting Arm	€ 90
Mounting Plate	98-000054-01	Mounting Stand Base Plate, Small	€ 30
User's Manuals, ESP Software	37-000001-01	TOOLS CD, User's Manuals, ESP Software *	€ 30

* 1 free per order, 37-000001-02 (CD ROM only) can be ordered for free if larger quantity is required.

Tech Reference MS-9

Stand Alone

This is the basic setup for a single MS-9 and MS-Connect 210.



System Matrix

Product	Reference No.	Description	List Price
(1) MS-9	FIS-0911-XXXXG	Scanner Models	Varies
(2) MS-Connect 210	FIS-0210-000XG	Connectivity Box *	Varies
(3) Reader Cable	61-000127-02	Cable, MS-9 to MS-Connect 210, 6 ft	€ 100
(4) Power Supply	97-100004-15	Power Supply, 90-264 VAC, 24VDC USA /Euro Plug	€ 125
(5) Object Detector	99-000017-02	Photo Sensor, Visible, NPN, LIGHT ON	€ 175
(6) Host Cable	61-000105-01	Pre-stripped RS-232, 9-pin host cable **	€ 30
User's Manuals, ESP Software	37-000001-01	TOOLS CD, User's Manuals, ESP Software ***	€ 30

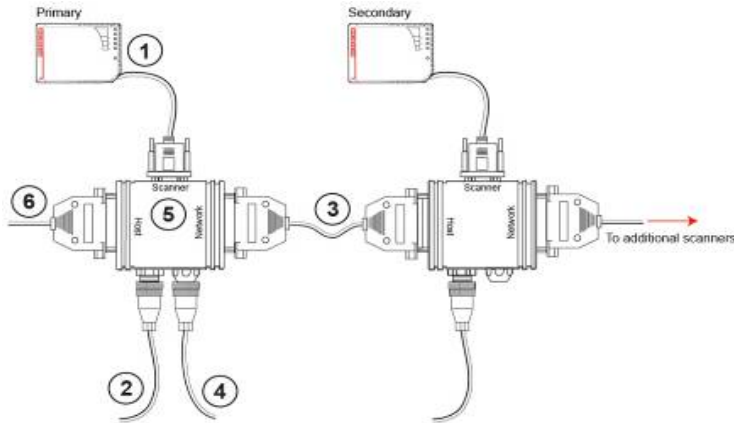
* See MS-Connect Series section for a complete listing of Accessories

** 1 free host cable is included with each MS-Connect 210

* 1 free per order, 37-000001-02 (CD ROM only) can be ordered for free if larger quantity is required.

Tech Reference *MS-9* Daisy Chain

A primary scanner is linked directly to the host. Secondary scanners (up to 9) are linked in tandem. Data is sent from the primary scanner directly to the host.



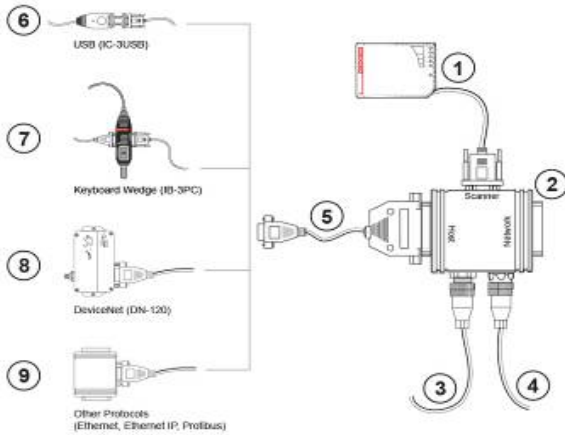
System Matrix

Product	Reference No.	Description	List Price
(1) MS-9	FIS-0911-XXXXG	Scanner Models	Varies
(2) Power Supply	97-100004-15	Power Supply, 90-264 VAC, 24VDC USA /Euro Plug	€ 125
(3) Daisy Chain Trunk Cable	61-100029-03	Connects the IB-131 to IB-131, 1 ft	€ 30
(4) Object Detector (If applicable)	99-000017-01	Photo Sensor, Visible, NPN, DARK ON	€ 175
(5) IB-131	99-000018-01	Interface Module	€ 150
(6) Communication Cable	61-300026-03	Connects IB-131 to the PC (Host), 6 ft	€ 30
Mounting Arm/Adapter Kit	98-000019-01	Adjustable, 6 inch Mounting Arm	€ 90
Mounting Plate	98-000054-01	Mounting Stand Base Plate, Small	€ 30
User's Manuals, ESP Software	37-000001-01	TOOLS CD, User's Manuals, ESP Software *	€ 30

* 1 free per order, 37-000001-02 (CD ROM only) can be ordered for free if larger quantity is required.



Optional Interface Protocols



System Matrix

Product	Reference No.	Description	List Price
(1) MS-9	FIS-0911-XXXXG	Scanner Models	Varies
(2) IB-131	99-000018-01	Interface Module	€ 150
(3) Power Supply	97-100004-15	Power Supply, 90-264 VAC, 24VDC USA /Euro Plug	€ 125
(4) Object Detector (If applicable)	99-000017-01	Photo Sensor, Visible, NPN, DARK ON	€ 175
(5) Communication Cable	61-300026-03	Connects IB-131 to the PC (Host), 6 ft	€ 30
(6) IC-3USB***	98-000051-01	USB Conversion Kit	€ 75
(7) IB-3PC****	FIS-0001-0030G	Keyboard Wedge PC Interface	€ 100
(8) DN-120	20-500013-01	DeviceNet Protocol Box ¹	€ 595
(9) Other Protocols (Ethernet, EtherNet/IP, Profibus)	Third Party	Ask your Microscan sales representative which solution is appropriate for your application.	
Mounting Arm/Adapter Kit	98-000019-01	Adjustable, 6 inch Mounting Arm	€ 90
Mounting Plate	98-000054-01	Mounting Stand Base Plate, Small	€ 30
User's Manuals, ESP Software	37-000001-01	TOOLS CD, User's Manuals, ESP Software *	€ 30

* 1 free per order, 37-000001-02 (CD ROM only) can be ordered for free if larger quantity is required.

***Pin Converter is not required for this configuration.

****Set the IB-3PC to **position 2** in this configuration.

¹ Part is not RoHS compliant.

MICROSCAN

QX-830 High Performance Compact Industrial Barcode Reader

Read Ranges

Narrow Bar	High Density
5 mil (.127 mm)	4.0" to 5.5" (101 to 140 mm)
7.5 mil (.191 mm)	3.5" to 6.75" (89 to 171 mm)
10 mil (.254 mm)	3.25" to 8.0" (82 to 203 mm)
15 mil (.381 mm)	3.25" to 9.0" (82 to 228 mm)
Narrow Bar	Medium Density
7.5 mil (.191 mm)	2.5" to 5.5" (64 to 140 mm)
10 mil (.254 mm)	1.5" to 7.0" (38 to 178 mm)
15 mil (.381 mm)	1.5" to 8.5" (38 to 216 mm)
20 mil (.508 mm)	1.5" to 11" (38 to 280 mm)
30 mil (.762 mm)	1.0" to 12" (25 to 304 mm)
Narrow Bar	Low Density
7.5 mil (.191 mm)	10" to 12" (254 to 304 mm)
10 mil (.254 mm)	7.0" to 16" (177 to 406 mm)
15 mil (.381 mm)	6.0" to 19" (152 to 483 mm)
20 mil (.508 mm)	5.0" to 22" (127 to 558 mm)
40 mil (1.02 mm)	4.0" to 30" (101 to 762 mm)



****Important Pricing Discount Note**** Product discounts are applied based on the Product TYPE as indicated in the TYPE column of each price sheet.

Three (3) Product Types are defined as follows: P = PRODUCT Discount, VP= Vision/NER Product Discount, or A=Accessory level discount.

Refer to your Partner Agreement for the actual discount percentage by Product Type.

Scanners

Part Number	Description	List Price	Type
FIS-0830-0001G	QX-830, Industrial Barcode Reader, Single Line, Low Density, Serial	€ 1,295	P
FIS-0830-0002G	QX-830, Industrial Barcode Reader, Single Line, Medium Density, Serial	€ 1,295	P
FIS-0830-0003G	QX-830, Industrial Barcode Reader, Single Line, High Density, Serial	€ 1,295	P
FIS-0830-0004G	QX-830, Industrial Barcode Reader, Raster Line, Low Density, Serial	€ 1,295	P
FIS-0830-0005G	QX-830, Industrial Barcode Reader, Raster Line, Medium Density, Serial	€ 1,295	P
FIS-0830-0006G	QX-830, Industrial Barcode Reader, Raster Line, High Density, Serial	€ 1,295	P
FIS-0830-0010G	QX-830, Industrial Barcode Reader, Raster Line, Low Density, Serial, Plastic Window	€ 1,295	P
FIS-0830-1001G	QX-830, Industrial Barcode Reader, Single Line, Low Density, Serial+Ethernet	€ 1,395	P
FIS-0830-1002G	QX-830, Industrial Barcode Reader, Single Line, Medium Density, Serial+Ethernet	€ 1,395	P
FIS-0830-1003G	QX-830, Industrial Barcode Reader, Single Line, High Density, Serial+Ethernet	€ 1,395	P
FIS-0830-1004G	QX-830, Industrial Barcode Reader, Raster Line, Low Density, Serial+Ethernet	€ 1,395	P
FIS-0830-1005G	QX-830, Industrial Barcode Reader, Raster Line, Medium Density, Serial+Ethernet	€ 1,395	P
FIS-0830-1006G	QX-830, Industrial Barcode Reader, Raster Line, High Density, Serial+Ethernet	€ 1,395	P
FIS-0830-1010G	QX-830, Industrial Barcode Reader, Raster Line, Low Density, Serial+Ethernet, Plastic Window	€ 1,395	P

QX-1 and Cordsets

Part Number	Description	List Price	Type
98-000103-02	QX-1 Interface Device	€ 120	A
61-000148-01	QX Cordset, Common, M12 12 pin Plug to M12 12 pin Socket, 3m	€ 40	A
61-000148-02	Industrial Cordset (screw down), Common, M12 12 pin Plug to M12 12 pin Socket, 3m	€ 36	A
61-000162-01	QX Cordset, Common, M12 12 pin Plug to M12 12 pin Socket, 1m	€ 40	A
61-000162-02	Industrial Cordset (screw down), Common, M12 12 pin Plug to M12 12 pin Socket, 1m	€ 36	A
61-000153-01	QX Cordset, Host, Serial, M12 12 pin Socket to DB9, 1m	€ 40	A
61-000164-01	QX Cordset, Host, Serial, M12 12 pin Socket to DB9, 3m	€ 40	A
61-000152-01	QX Cordset, Host, Serial, M12 12 pin Plug to DB9, 1m	€ 40	A
61-000165-01	QX Cordset, Host, Serial, M12 12 pin Plug to DB9, 3m	€ 40	A
61-000163-01	QX Cordset, Host, Ethernet, M12 8 pin Plug to RJ45, 3m	€ 40	A
61-000160-01	QX Cordset, Host, Ethernet, M12 8 pin Plug to RJ45, 1m	€ 40	A
61-000161-01	QX Cordset, M12 12 pin Plug to MS-Connect 5100, 3m	€ 40	A
61-000159-03	QX Cordset, M12 12 pin Plug & M12 12 pin to IB-131 (RS-232), 2m	€ 100	A
61-000159-04	QX Cordset, M12 12 pin Plug & M12 12 pin to IB-131 (422/485), 2m	€ 100	A
61-000158-03	QX Cordset, M12 12 pin Plug & M12 12 pin to MS-Connect 210, (RS-232), 2m	€ 160	A
61-000158-04	QX Cordset, M12 12 pin Plug & M12 12 pin to MS-Connect 210, (422/485), 2m	€ 160	A
61-000166-01	QX Cordset, M12 12 pin Plug, Flying leads, 3m	€ 40	A
61-000167-01	QX Cordset, M12 12 pin Socket, Flying leads, 3m	€ 40	A
FIS-0210-0001G	MS-Connect 210, Connectivity Box with Display	€ 495	A
FIS-0210-0002G	MS-Connect 210, Connectivity Box	€ 325	A
FIS-0210-0003G	MS-Connect 210, Connectivity Box with Display and Ethernet	€ 655	A
FIS-0210-0004G	MS-Connect 210, Connectivity Box with Ethernet	€ 495	A
98-000013-04	Relay Module, 120VAC, 3 Amp Output, Series 70, Type SM, for MS-Connect 210	€ 47	A
98-000013-05	Relay Module, 240VAC, 3 Amp Output, Series 70, Type SM for MS-Connect 210	€ 47	A
98-000013-06	Relay Module, 24VDC, 3 Amp Output, Series 70, Type SM for MS-Connect 210	€ 47	A

MICROSCAN.

QX-830 Industrial Scanner Continued

Power Supplies

Part Number	Description	List Price	Type
97-000003-01	QX Power Supply, M12 12 pin Socket, 1.3m	€ 80	A
97-000003-02	QX Power Supply, M12 12 pin Plug, 1.3m	€ 80	A

Package Detector/Sensor

Part Number	Description	List Price	Type
99-000020-02	QX Photo sensor, M12 4pin Plug, NPN, Dark On, 2m	€ 80	A
99-000020-01	QX Photo sensor, M12 4pin Plug, NPN, Dark Off, 2m	€ 80	A

Mounting and Connectors

Part Number	Description	List Price	Type
98-500006-01	Mounting Plate Kit, Flat, Custom Surfaces *	€ 20	A
98-200026-02	Right Angle Mirror Kit	€ 75	A
61-000166-01	QX Cordset, M12 12pin Plug, Flying leads, 3m	€ 40	A
61-000167-01	QX Cordset, M12 12pin Socket, Flying leads, 3m	€ 40	A
20-610024-01	Trigger Connector, 4-pin Plug (screw terminal and field wireable) (for self wiring)	€ 30	A
98-000016-01	Mounting Arm/Adapter Kit, MS-820/QX-830/QX-870, 6 inch	€ 90	A
98-000037-01	Extension Kit, All Scanners, 6 inch	€ 55	A
98-000054-01	Kit, Mounting Stand Base Plate, Small	€ 30	A

* Though-hole mounting plate; not for use with mounting arm.

Part Number	Description	List Price	Type
37-000001-01	TOOLS CD, User's Manuals, ESP Software *	€ 30	A

* 1 free per order, 37-000001-02 (CD ROM only) can be ordered for free if larger quantity is required.

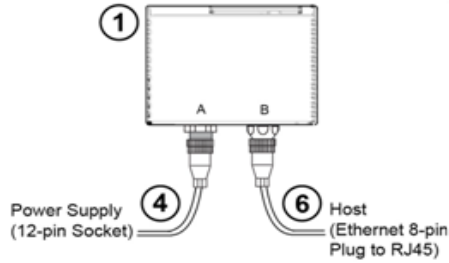
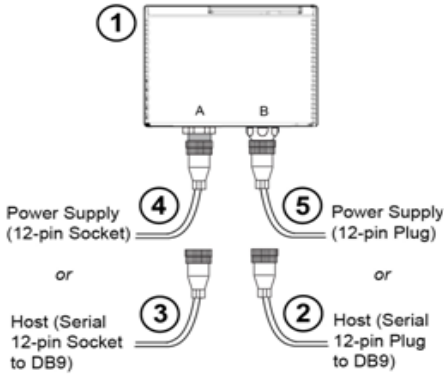
Tech Reference QX-830

Stand Alone Configurations

Without QX-1

Serial

Ethernet

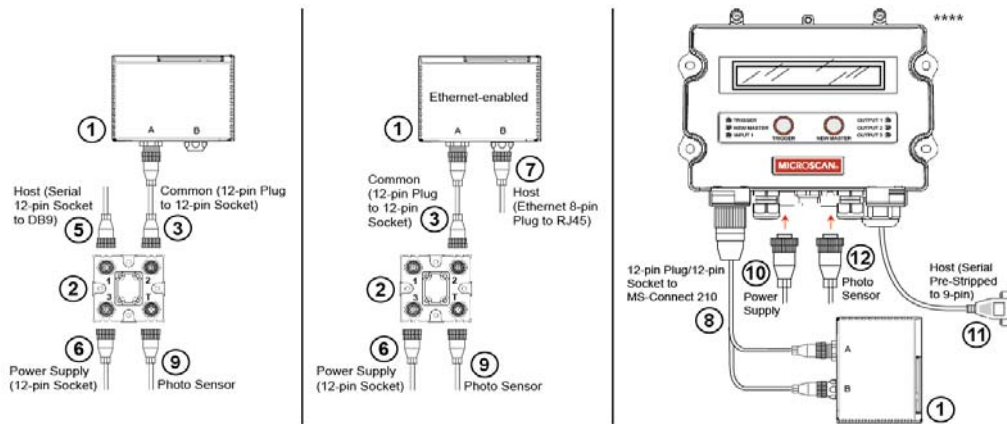


Item	Part Number	Description	List Price
1	FIS-0830-XXXXG	QX-830 Compact Industrial Scanner	€ 1,295
2	61-000152-01	QX Cordset, Host, Serial, M12 12-pin Plug to DB9, 1m *	€ 40
3	61-000153-01	QX Cordset, Host, Serial, M12 12-pin Socket to DB9, 1m *	€ 40
4	97-000003-01	QX Power Supply, M12 12-pin Socket, 1.3m	€ 80
5	97-000003-02	QX Power Supply, M12 12-pin Plug, 1.3m	€ 80
6	61-000160-01	QX Cordset, Host, Ethernet, M12 8-pin Plug to RJ45, 1m *	€ 40
	98-000016-01	Adjustable, 6 inch Mounting Arm	€ 90
	98-000054-01	Mounting Stand Base Plate, Small	€ 30
	37-000001-01	TOOLS CD, User's Manuals, ESP Software **	€ 30

* Cordsets available in multiple lengths

** One complimentary with each order

Tech Reference QX-830 Stand Alone Configurations



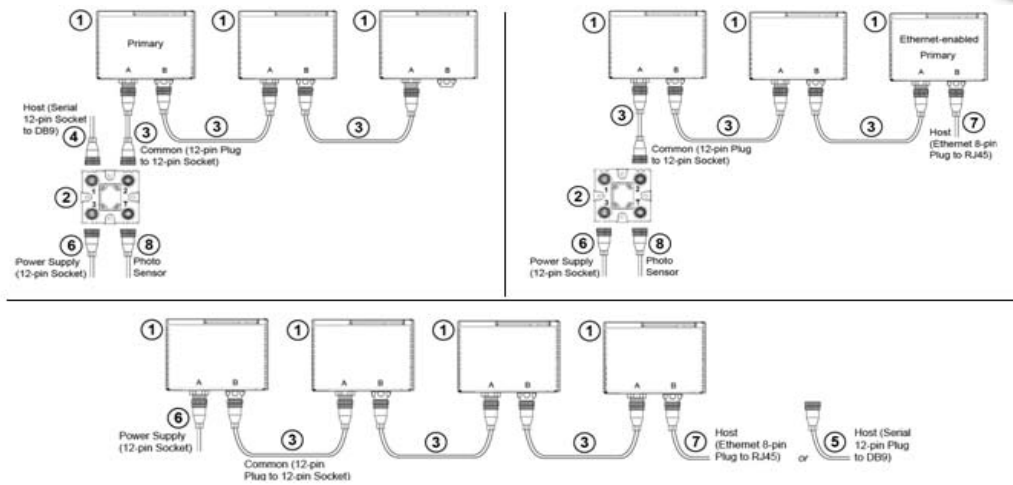
Item	Part Number	Description	List Price
1	FIS-0830-XXXXG	QX-830 Compact Industrial Scanner	€ 1,295
2	98-000103-02	QX-1 Interface Device	€ 120
3	61-000162-01	QX Cordset, Common, M12 12-pin Plug to M12 12-pin Socket, 1m	€ 40
4	61-000152-01	QX Cordset, Host, Serial, M12 12-pin Plug to DB9, 1m *	€ 40
5	61-000153-01	QX Cordset, Host, Serial, M12 12-pin Socket to DB9, 1m *	€ 40
6	97-000003-01	QX Power Supply, M12 12-pin Socket, 1.3m	€ 80
7	61-000160-01	QX Cordset, Host, Ethernet, M12 8-pin Plug to RJ45, 1m *	€ 40
8	61-000158-01	QX Cordset, M12 12-pin Plug & M12 12-pin Socket to MS-Connect 210, (RS	€ 160
9	99-000020-02	QX Photo Sensor, M12 4-pin Plug, NPN, Dark On, 2m	€ 80
10	97-100004-15	Power Supply, 90-264 VAC, 24VDC USA /Euro Plug	€ 125
11	61-000105-01	Pre-stripped RS-232, 9-pin host cable	€ 30
12	99-000017-01	Photo Sensor, Visible, NPN, DARK ON	€ 175
	98-000016-01	Adjustable, 6 inch Mounting Arm Kit	€ 90
	98-000054-01	Mounting Stand Base Plate, Small	€ 30
	37-000001-01	TOOLS CD, User's Manuals, ESP Software **	€ 30

* Cordsets available in multiple lengths

** One complimentary with each order

**** Refer to MS-Connection section for complete listing of MS-Connection 210 options

Daisy Chain Configurations

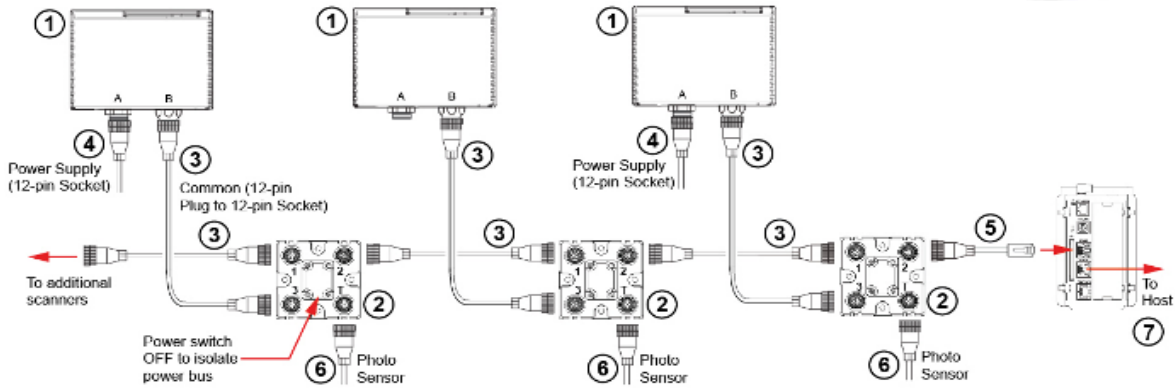


Item	Part Number	Description	List Price
1	FIS-0830-XXXXG	QX-830 Compact Industrial Scanner	€ 1,295
2	98-000103-02	QX-1 Interface Device	€ 120
3	61-000162-01	QX Cordset, Common, M12 12-pin Plug to M12 12-pin Socket, 1m	€ 40
4	61-000153-01	QX Cordset, Host, Serial, M12 12-pin Socket to DB9, 1m *	€ 40
5	61-000152-01	QX Cordset, Host Serial, M12 12-pin Plug to DB9, 1m *	€ 40
6	97-000003-01	QX Power Supply, M12 12-pin Socket, 1.3m	€ 80
7	61-000160-01	QX Cordset, Host, Ethernet, M12 8-pin Plug to RJ45, 1m *	€ 40
8	99-000020-02	QX Photo Sensor, M12 4-pin Plug, NPN, Dark On, 2m	€ 80
	98-000016-01	Adjustable, 6 inch Mounting Arm Kit	€ 90
	98-000054-01	Mounting Stand Base Plate, Small	€ 30
	37-000001-01	TOOLS CD, User's Manuals, ESP Software **	€ 30

* Cordsets available in multiple lengths

** One complimentary with each order

Multidrop Configuration



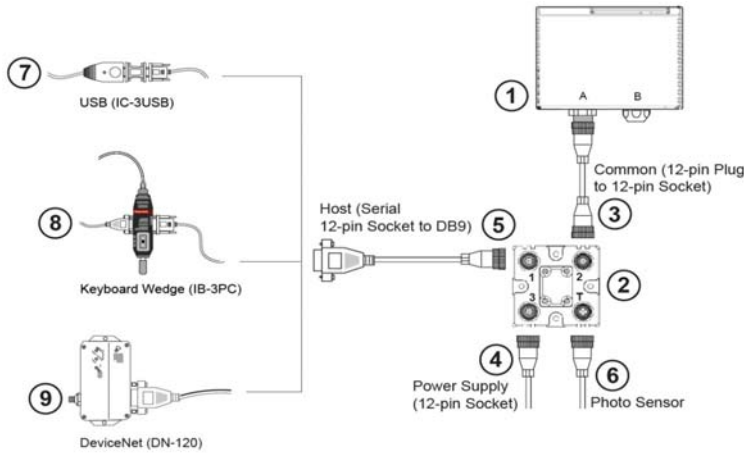
All Trigger Switched must be off.

Item	Part Number	Description	List Price
1	FIS-0830-XXXXG	QX-830 Compact Industrial Scanner	€ 1,295
2	98-000103-02	QX-1 Interface Device	€ 120
3	61-000162-01*	QX Cordset, Common, M12 12-pin Plug to M12 12-pin Socket, 1m	€ 40
4	97-000003-01	QX Power Supply, M12 12-pin Socket, 1.3m	€ 80
5	61-000161-01	QX Cordset, M12 12-pin Plug to MS-Connect 5100, 3m	€ 40
6	99-000020-02	QX Photo Sensor, M12 4-pin Plug, NPN, Dark On, 2m	€ 80
7	See page 102 for MS-Connect 5100 to host communication options		
	98-000016-01	Adjustable, 6 inch Mounting Arm Kit	€ 90
	98-000054-01	Mounting Stand Base Plate, Small	€ 30
	37-000001-01**	TOOLS CD, User's Manuals, ESP Software **	€ 30

* Cordsets available in multiple lengths. See Accessories section for additional detail.

** One complimentary with each order

Optional Interface Protocols



Item	Part Number	Description	List Price
1	FIS-0830-XXXXG	QX-830 Compact Industrial Scanner	€ 1,295
2	98-000103-02	QX-1 Interface Device	€ 120
3	61-000162-01	QX Cordset, Common, M12 12-pin Plug to M12 12-pin Socket, 1m	€ 40
4	97-000003-01	QX Power Supply, M12 12-pin Socket, 1.3m	€ 80
5	61-000153-01	QX Cordset, Host, Serial, M12 12-pin Socket to DB9, 1m *	€ 40
6	99-000020-02	QX Photo Sensor, M12 4-pin Plug, NPN, Dark On, 2m	€ 80
7	98-000051-01	IC3-USB, USB Conversion Kit	€ 75
8	FIS-0001-0030G	Keyboard Wedge PC Interface	€ 100
9	20-500013-01	DeviceNet Protocol Box ¹	€ 595
	98-000016-01	Adjustable, 6 inch Mounting Arm Kit	€ 90
	98-000054-01	Mounting Stand Base Plate, Small	€ 30
	37-000001-01	TOOLS CD, User's Manuals, ESP Software **	€ 30

* Cordsets available in multiple lengths. See Accessories section for additional detail.

** One complimentary with each order

¹ Part is not RoHS compliant part

MICROSCAN.

QX-870 High Performance Industrial Sweeping Raster Barcode Reader

Read Ranges

Narrow Bar	High Density
5 mil (.127 mm)	4" to 5" (102 to 127 mm)
7.5 mil (.191 mm)	3.5" to 6.75" (89 to 171 mm)
10 mil (.254 mm)	3.25" to 8" (82 to 203 mm)
15 mil (.381 mm)	3.25" to 9" (82 to 228 mm)
Medium Density	
7.5 mil (.191 mm)	2.5" to 5.5" (64 to 140 mm)
10 mil (.254 mm)	1.5" to 7" (38 to 178 mm)
15 mil (.381 mm)	1.5" to 8.5" (38 to 216 mm)
30 mil (.762 mm)	1" to 12" (25 to 304 mm)
Low Density	
7.5 mil (.191 mm)	10" to 12" (254 to 305 mm)
10 mil (.254 mm)	7" to 16" (178 to 406 mm)
15 mil (.381 mm)	6" to 19" (152 to 483 mm)
20 mil (.508 mm)	5" to 22" (127 to 558 mm)
40 mil (1.02 mm)	4" to 30" (102 to 762 mm)

* Subject to change



****Important Pricing Discount Note**** Product discounts are applied based on the Product TYPE as indicated in the TYPE column of each price sheet.

Three (3) Product Types are defined as follows: P = PRODUCT Discount, VP= Vision/NER Product Discount, or A=Accessory level discount.

Refer to your Partner Agreement for the actual discount percentage by Product Type.

Barcode Readers

Part Number	Description	List Price	Type
FIS-0870-0001G	QX-870, Industrial Barcode Reader, Low Density, Sweeping Raster, Serial	€ 2,095	P
FIS-0870-0002G	QX-870, Industrial Barcode Reader, Medium Density, Sweeping Raster, Serial	€ 2,095	P
FIS-0870-0003G	QX-870, Industrial Barcode Reader, High Density, Sweeping Raster, Serial	€ 2,095	P
FIS-0870-1001G	QX-870, Industrial Barcode Reader, Low Density, Sweeping Raster, Serial+Ethernet	€ 2,195	P
FIS-0870-1002G	QX-870, Industrial Barcode Reader, Medium Density, Sweeping Raster, Serial+Ethernet	€ 2,195	P
FIS-0870-1003G	QX-870, Industrial Barcode Reader, High Density, Sweeping Raster, Serial+Ethernet	€ 2,195	P

QX-1 and Cordsets

Part Number	Description	List Price	Type
98-000103-02	QX-1 Interface Device	€ 120	A
61-000148-01	QX Cordset, Common, M12 12 pin Plug to M12 12 pin Socket, 3m	€ 40	A
61-000148-02	Industrial Cordset (screw down), Common, M12 12 pin Plug to M12 12 pin Socket, 3m	€ 36	A
61-000162-01	QX Cordset, Common, M12 12 pin Plug to M12 12 pin Socket, 1m	€ 40	A
61-000162-02	Industrial Cordset (screw down), Common, M12 12 pin Plug to M12 12 pin Socket, 1m	€ 36	A
61-000153-01	QX Cordset, Host, Serial, M12 12 pin Socket to DB9, 1m	€ 40	A
61-000164-01	QX Cordset, Host, Serial, M12 12 pin Socket to DB9, 3m	€ 40	A
61-000152-01	QX Cordset, Host, Serial, M12 12 pin Plug to DB9, 1m	€ 40	A
61-000165-01	QX Cordset, Host, Serial, M12 12 pin Plug to DB9, 3m	€ 40	A
61-000163-01	QX Cordset, Host, Ethernet, M12 8 pin Plug to RJ45, 3m	€ 40	A
61-000160-01	QX Cordset, Host, Ethernet, M12 8 pin Plug to RJ45, 1m	€ 40	A
61-000161-01	QX Cordset, M12 12 pin Plug to MS-Connect 5100, 3m	€ 40	A
61-000172-01	QX Cordset, M12 12 pin Plug & M12 12 pin to IB-150, 2m	€ 200	A
61-000158-03	QX Cordset, M12 12 pin Plug & M12 12 pin to MS-Connect 210, (RS-232), 2m	€ 160	A
61-000158-04	QX Cordset, M12 12 pin Plug & M12 12 pin to MS-Connect 210, (422/485), 2m	€ 160	A
61-000166-01	QX Cordset, M12 12 pin Plug, Flying leads, 3m	€ 40	A
61-000167-01	QX Cordset, M12 12 pin Socket, Flying leads, 3m	€ 40	A
FIS-0210-0001G	MS-Connect 210, Connectivity Box with Display	€ 495	A
FIS-0210-0002G	MS-Connect 210, Connectivity Box	€ 325	A
FIS-0210-0003G	MS-Connect 210, Connectivity Box with Display and Ethernet	€ 655	A
FIS-0210-0004G	MS-Connect 210, Connectivity Box with Ethernet	€ 495	A
98-000013-04	Relay Module, 120VAC, 3 Amp Output, Series 70, Type SM, for MS-Connect 210	€ 47	A
98-000013-05	Relay Module, 240VAC, 3 Amp Output, Series 70, Type SM for MS-Connect 210	€ 47	A
98-000013-06	Relay Module, 24VDC, 3 Amp Output, Series 70, Type SM for MS-Connect 210	€ 47	A

Prices and Specifications Subject to Change

€100 Minimum Order

Tel: 425.226.5700
Fax: 425.226.8250

07-000001-01, Rev AC
www.microscan.com

Confidential Document

Page 32 of 109

MICROSCAN.

QX-870 Industrial Scanner Accessories (Similar to QX-830)

Power Supplies

Part Number	Description	List Price	Type
97-000003-01	QX Power Supply, M12 12 pin Socket, 1.3m	€ 80	A
97-000003-02	QX Power Supply, M12 12 pin Plug, 1.3m	€ 80	A

Package Detector/Sensor

Part Number	Description	List Price	Type
99-000020-02	QX Photo sensor, M12 4pin Plug, NPN, Dark On, 2m	€ 80	A
99-000020-01	QX Photo sensor, M12 4pin Plug, NPN, Dark Off, 2m	€ 80	A

Mounting and Connectors

Part Number	Description	List Price	Type
98-500006-01	Mounting Plate Kit, Flat, Custom Surfaces *	€ 20	A
20-610024-01	Trigger Connector, 4-pin Plug (screw terminal and field wireable) (for self wiring)	€ 30	A
61-000166-01	QX Cordset, M12 12pin Plug, Flying leads, 3m	€ 40	A
61-000167-01	QX Cordset, M12 12pin Socket, Flying leads, 3m	€ 40	A
98-000016-01	Mounting Arm/Adapter Kit, MS-820/QX-830/QX-870, 6 inch	€ 90	A
98-000037-01	Extension Kit, All Scanners, 6 inch	€ 55	A
98-000054-01	Kit, Mounting Stand Base Plate, Small	€ 30	A

* Though-hole mounting plate; not for use with mounting arm.

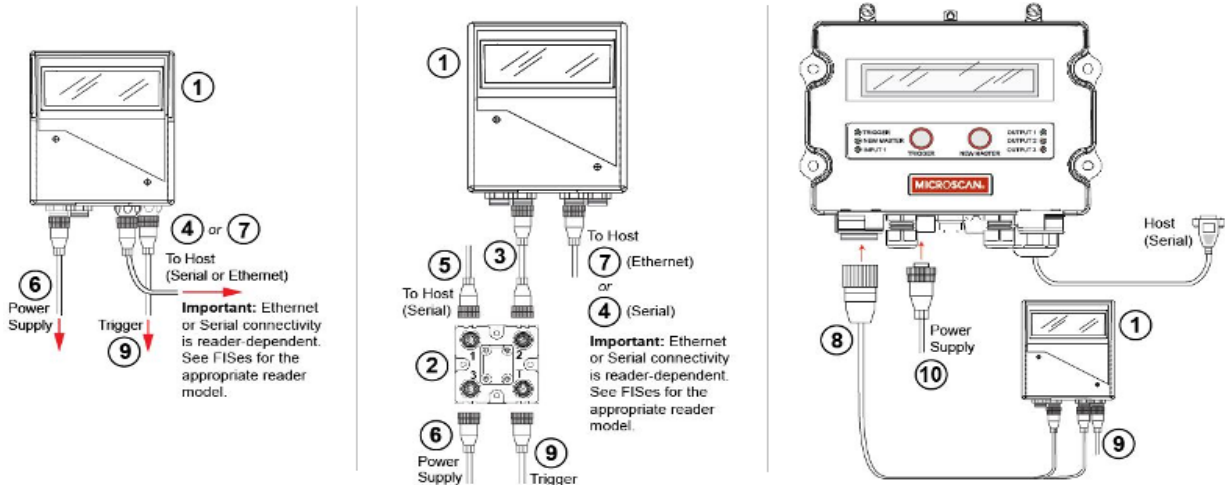
Part Number	Description	List Price	Type
37-000001-01	TOOLS CD, User's Manuals, ESP Software *	€ 30	A

* 1 free per order, 37-000001-02 (CD ROM only) can be ordered for free if larger quantity is required.



Stand Alone Configurations

With QX-1 or MS-Connect 210



Item	Part Number	Description	List Price
1	FIS-0870-XXXXG	QX-870 Industrial Raster Barcode Reader	€ 2,195
2	98-000103-02	QX-1 Interface Device	€ 120
3	61-000162-01	QX Cordset, Common, M12 12-pin Plug to M12 12-pin Socket, 1m *	€ 40
4	61-000152-01	QX Cordset, Host, Serial, M12 12-pin Plug to DB9, 1m *	€ 40
5	61-000153-01	QX Cordset, Host, Serial, M12 12-pin Socket to DB9, 1m *	€ 40
6	97-000003-01	QX Power Supply, M12 12-pin Socket, 1.3m	€ 80
7	61-000160-01	QX Cordset, Host, Ethernet, M12 8-pin Plug to RJ45, 1m *	€ 40
8	61-000158-01	QX Cordset, M12 12-pin Plug & M12 12-pin Socket to MS-Connect 210, (RS-232)	€ 160
9	99-000020-02	QX Photo Sensor, M12 4-pin Plug, NPN, Dark On, 2m	€ 80
10	97-100004-15	Power Supply, 90-264 VAC, 24VDC USA /Euro Plug	€ 125
11	61-000105-01	Pre-stripped RS-232, 9-pin host cable	€ 30
12	99-000017-01	Photo Sensor, Visible, NPN, DARK ON	€ 175
	98-000016-01	Adjustable, 6 inch Mounting Arm Kit	€ 90
	98-000054-01	Mounting Stand Base Plate, Small	€ 30
	37-000001-01	TOOLS CD, User's Manuals, ESP Software **	€ 30

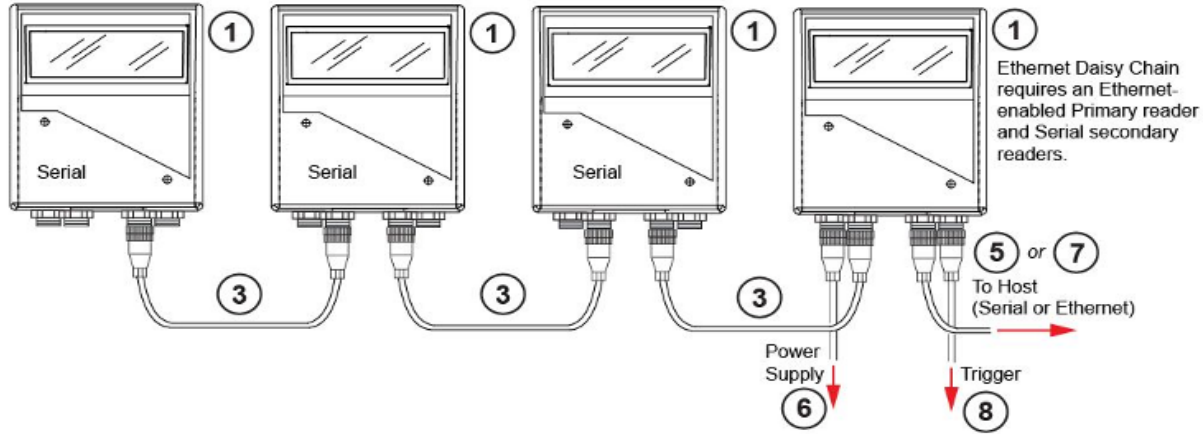
* Cordsets available in multiple lengths

** One complimentary with each order

**** Refer to MS-Connection section for complete listing of MS-Connection 210 options

Tech Reference QX-870

Daisy Chain Configuration



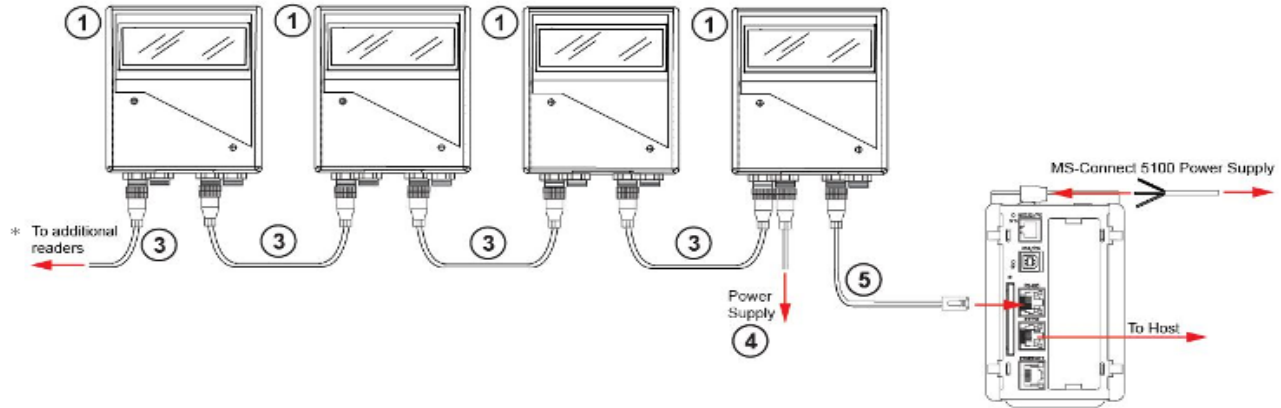
Plea

Item	Part Number	Description	List Price
1	FIS-0870-XXXXG	QX-870 Industrial Raster Barcode Reader	€2,195
2	98-000103-02	QX-1 Interface Device	€120
3	61-000162-01	QX Cordset, Common, M12 12-pin Plug to M12 12-pin Socket, 1m *	€40
4	61-000153-01	QX Cordset, Host, Serial, M12 12-pin Socket to DB9, 1m *	€40
5	61-000152-01	QX Cordset, Host Serial, M12 12-pin Plug to DB9, 1m *	€40
6	97-000003-01	QX Power Supply, M12 12-pin Socket, 1.3m	€80
7	61-000160-01	QX Cordset, Host, Ethernet, M12 8-pin Plug to RJ45, 1m *	€40
8	99-000020-02	QX Photo Sensor, M12 4-pin Plug, NPN, Dark On, 2m	€80
	98-000016-01	Adjustable, 6 inch Mounting Arm Kit	€90
	98-000054-01	Mounting Stand Base Plate, Small	€30
	37-000001-01	TOOLS CD, User's Manuals, ESP Software **	€30

* Cordsets available in multiple lengths

** One complimentary with each order

Multidrop Configuration



* QX-1 required when powering more than 4 readers from a single power supply

Item	Part Number	Description	List Price
1	FIS-0870-XXXXG	QX-870 Industrial Raster Barcode Reader	€ 2,195
2	98-000103-02	QX-1 Interface Device	€ 120
3	61-000162-01*	QX Cordset, Common, M12 12-pin Plug to M12 12-pin Socket, 1m *	€ 40
4	97-000003-01	QX Power Supply, M12 12-pin Socket, 1.3m	€ 80
5	61-000161-01	QX Cordset, M12 12-pin Plug to MS-Connect 5100, 3m	€ 40
6	99-000020-02	QX Photo Sensor, M12 4-pin Plug, NPN, Dark On, 2m	€ 80
7	See MS-Connect 5100 section for detailed options		
	98-000016-01	Adjustable, 6 inch Mounting Arm Kit	€ 90
	98-000054-01	Mounting Stand Base Plate, Small	€ 30
	37-000001-01**	TOOLS CD, User's Manuals, ESP Software **	€ 30

* Cordsets available in multiple lengths. See Accessories section for additional detail.

** One complimentary with each order

MICROSCAN.

MS-890 Industrial Barcode Reader

Read Ranges

Narrow Bar	
7.5 mil (.191 mm)	10" to 35" (254 to 889 mm)
15 mil (.381 mm)	10" to 74" (254 to 1880 mm)
20 mil (.508 mm)	10" to 90" (254 to 2286 mm)
30 mil (.762 mm)	10" to 100" (254 to 2540 mm)
40 mil (1.02 mm)	10" to 110" (254 to 2794 mm)
50 mil (1.27 mm)	10" to 120" (254 to 2048 mm)



****Important Pricing Discount Note**** Product discounts are applied based on the Product TYPE as indicated in the TYPE column of each price sheet.

Three (3) Product Types are defined as follows: P = PRODUCT Discount, VP= Vision/NER Product Discount, or A=Accessory level discount.

Refer to your Partner Agreement for the actual discount percentage by Product Type.

MS-890 Industrial Scanners

Part Number	Description	List Price	Type
FIS-0890-0001G	Long Range, Stand Alone Version, RS-232/485, 10-28 VDC	€ 3,495	P
FIS-0890-0002G	Long Range, Wiring Box Ready, RS-232/485, 10-28 VDC	€ 3,495	P

Wiring Box

Part Number	Description	List Price	Type
99-420003-04	IB-890 Wiring Box (use w/FIS-0890-0002G)	€ 300	A
98-000013-04	Relay Module, 120VAC, 3 Amp Output, Series 70, Type SM	€ 47	A
98-000013-05	Relay Module, 240VAC, 3 Amp Output, Series 70, Type SM	€ 47	A
98-000013-06	Relay Module, 24VDC, 3 Amp Output, Series 70, Type SM	€ 47	A
12-000130-01	CGB's (sealed strain relief wire clamp) *	€ 15	A

1 Included with 99-420003-04

MICROSCAN.

MS-890 Industrial Automation Scanner Continued

Accessories

Part Number	Description	List Price	Type
FIS-0210-0001G	MS-Connect 210, Connectivity Box with Display	€ 495	A
FIS-0210-0002G	MS-Connect 210, Connectivity Box	€ 325	A
FIS-0210-0003G	MS-Connect 210, Connectivity Box with Display and Ethernet	€ 655	A
FIS-0210-0004G	MS-Connect 210, Connectivity Box with Ethernet	€ 495	A
98-000013-04	Relay Module, 120VAC, 3 Amp Output, Series 70, Type SM, for MS-Connect 210 and MS-890	€ 47	A
98-000013-05	Relay Module, 240VAC, 3 Amp Output, Series 70, Type SM for MS-Connect 210 and MS-890	€ 47	A
98-000013-06	Relay Module, 24VDC, 3 Amp Output, Series 70, Type SM for MS-Connect 210 and MS-890	€ 47	A
61-000122-01	Cable, To MS-Connect 210, Host RS-422/485 for Multidrop, 6 ft	€ 100	A
61-000123-01	Cable, To MS-Connect 210, Host/AUX RS-232, for Daisy Chain 210 to 210, 6 ft	€ 100	A
FIS-0001-0030G	IB-3PC Keyboard Wedge/Interface Box	€ 100	A
98-000039-02	Kit, IB-152, DB25 Plug Terminal Block, DB25 Gender Changer	€ 125	A
98-000040-02	IB-150 Interface and reader cable, 6 ft	€ 175	A
98-000051-01	USB Conversion kit, IC-3USB	€ 75	A
61-000034-02	Cable, Comm/Serial , 25pin Socket to 9pin Socket, 6 ft	€ 30	A
61-100029-03	Cable, Connects IB-150 to IB-150, 1 ft , Daisy Chain	€ 30	A
61-000010-02	Cable, Communication, DB-9 Socket to DB-9 Socket, 6 ft	€ 30	A
98-000011-01	Glass Window Replacement Kit	€ 80	A
98-000011-02	Plastic Window Replacement Kit	€ 130	A
61-000154-01	Daisy Chain/Comm Adapter	€ 75	A

Power Supply

Part Number	Description	List Price	Type
97-100004-15	Power Supply, 90-264 VAC, 24VDC, USA /Euro Plug	€ 125	A

Mounting and Connectors

Part Number	Description	List Price	Type
98-000017-01	Mounting Arm/Adapter Kit, IB-890/FIS-0880-0002, 6 inch	€ 90	A
98-000018-01	Mounting Arm/Adapter kit, MS-890, 6 inch	€ 90	A
98-000046-01	Kit, Base Plate	€ 40	A
98-200037-01	Standard Flat Mounting Plate Kit, MS-890, Custom Surfaces	€ 40	A
20-610024-01	Trigger Connector, 4-pin Plug (screw terminal and field wireable) (for self wiring)	€ 30	A
20-610020-01	Power Connector, 3-pin Socket (screw terminal and field wireable) (for self wiring)	€ 30	A

Package Detector/Sensor

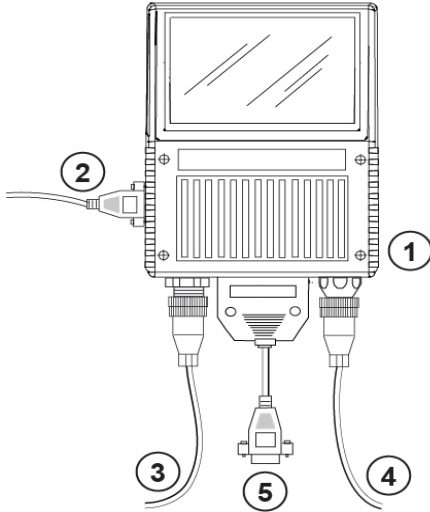
Part Number	Description	List Price	Type
99-000004-01	Package Detector, Standard Diffuse, 120 inch Range, 4-pin Plug	€ 225	A
99-000004-02	Package Detector, Standard Diffuse, 120 inch Range, Unterminated	€ 225	A
99-000017-01	Photo Sensor, Visible, NPN, DARK ON	€ 175	A
99-000017-02	Photo Sensor, Visible, NPN, LIGHT ON	€ 175	A

Software / Manuals

Part Number	Description	List Price	Type
37-000001-01*	TOOLS CD, User's Manuals, ESP Software	€ 30	A

Stand Alone

This is the basic setup for a single MS-890.



System Matrix

Product	Reference No.	Description	List Price
(1) MS-890	FIS-0890-0001G	Scanner, Industrial, Long Range	€ 3,495
(2) Configuration Cable	61-000010-02	Serial, 9-pin, D-Sub, Socket to 9-pin, D-Sub, Socket, 6 ft	€ 30
(3) Power Supply	97-100004-15	Power Supply, 90-264 VAC, 24VDC, USA /Euro Plug	€ 125
(4) Object Detector	99-000004-01	Package Detector, Standard Diffuse, 120 inch Range, 4-pin Plug	€ 225
(5) Cable, Comm/Serial	61-000034-02	Cable, 25 Pin D-sub, Socket to 9 Pin D-sub, Socket, 6 ft	€ 30
Mounting Arm Kit	98-000018-01	Mounting Arm/Adapter Kit, MS-890	€ 90
Mounting Plate	98-000046-01	Mounting Stand Base Plate	€ 40
User's Manuals, ESP Software	37-000001-01*	TOOLS CD, User's Manuals, ESP Software	€ 30

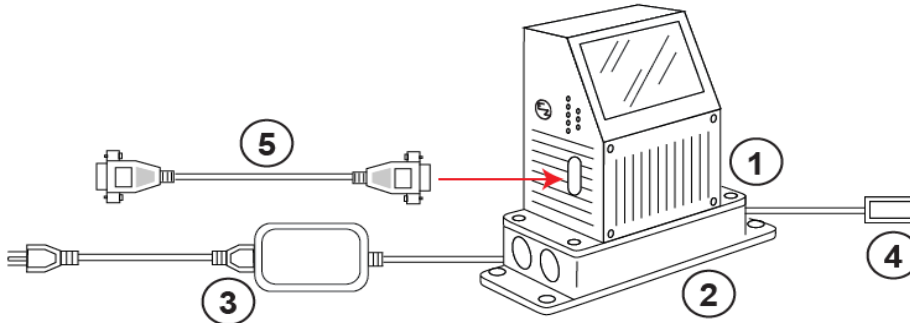
* 1 free per order, 37-000001-02 (CD ROM only) can be ordered for free if larger quantity is required.

Tech Reference *MS-890*

Stand Alone

with Wiring Box

This is the basic setup for a single MS-890 with IB-890 Wiring Box.



System Matrix

Product	Reference No.	Description	List Price
(1) MS-890	FIS-0890-0002G	Scanner, Industrial, Wiring Box-Ready	€ 3,495
(2) Wiring Box Base	99-420003-04	Wiring Box Base, IB-890/FIS-0890-0002	€ 300
(3) Power Supply***	97-100004-15	Power Supply, 90-264 VAC, 24VDC, USA /Euro Plug	€ 125
(4) Object Detector	99-000004-02	Package Detector, Standard Diffuse, 120 inch Range, Underminated	€ 225
(5) Configuration Cable	61-000010-02	Serial, 9 pin, D-Sub, Socket to 9 pin, D-Sub, Socket	€ 30
Mounting Arm/Adapter Kit	98-000017-01	6 inch Adjustable Mounting Arm Kit, IB-890/FIS-0880-0002	€ 90
Mounting Plate	98-000046-01	Mounting Stand Base Plate	€ 40
User's Manuals, ESP Software	37-000001-01*	TOOLS CD, User's Manuals, ESP Software	€ 30

* 1 free per order, 37-000001-02 (CD ROM only) can be ordered for free if larger quantity is required.

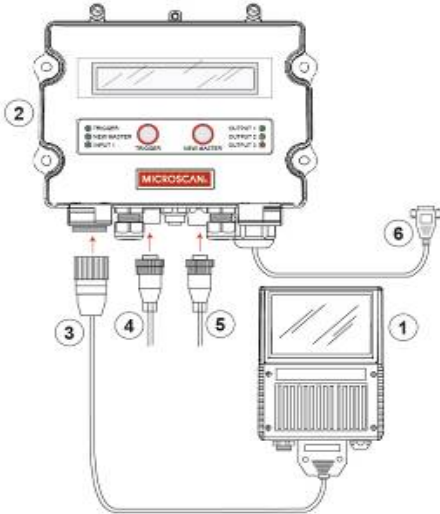
*** Remove connectors before installation.

Tech Reference MS-890

Stand Alone

with MS-Connect 210

This is the basic setup for a single MS-890 and MS-Connect 210.



System Matrix

Product	Reference No.	Description	List Price
(1) MS-890	FIS-0890-0001G	Scanner, Industrial, Long Range	€ 3,495
(2) MS-Connect 210	FIS-0210-000XG*	Connectivity Box	Varies
(3) Reader Cable	61-000122-01 [†]	Cable, MS-890 to MS-Connect 210, Host RS-422/485, 6ft	€ 100
(4) Power Supply	97-100004-15	Power Supply, 90-264 VAC, 24VDC USA /Euro Plug	€ 125
(5) Object Detector	99-000017-02	Photo Sensor, Visible, NPN, LIGHT ON	€ 175
(6) Host Cable	61-000105-01**	Pre-stripped RS-232, 9-pin host cable	€ 30
User's Manuals, ESP Software	37-000001-01***	TOOLS CD, User's Manuals, ESP Software	€ 30

* See MS-Connect Series section for a complete listing of Accessories

** 1 free host cable is included with each MS-Connect 210

* 1 free per order, 37-000001-02 (CD ROM only) can be ordered for free if larger quantity is required.

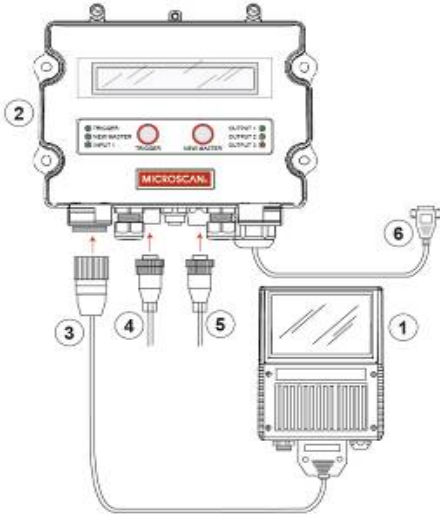
[†] Choose one cable.

Tech Reference MS-890

Stand Alone

with MS-Connect 210 with Ethernet

This is the basic setup for a single MS-890 and MS-Connect 210 with Ethernet



System Matrix

Product	Reference No.	Description	List Price
(1) MS-890	FIS-0890-0001G	Scanner, Industrial, Long Range	€ 3,495
(2) MS-Connect 210 with Ethernet	FIS-0210-0004G	MS-Connect 210, Connectivity Box with Ethernet	€ 495
(3) Reader Cable	61-000122-01†	Cable, MS-890 to MS-Connect 210, Host RS-422/485, 6ft	€ 100
(4) Power Supply	97-100004-15	Power Supply, 90-264 VAC, 24VDC USA /Euro Plug	€ 125
(5) Object Detector	99-000017-02	Photo Sensor, Visible, NPN, LIGHT ON	€ 175
(6) Host Cable	61-000105-01**	Pre-stripped RS-232, 9-pin host cable	€ 30
User's Manuals, ESP Software	37-000001-01***	TOOLS CD, User's Manuals, ESP Software	€ 30

* See MS-Connect Series section for a complete listing of Accessories

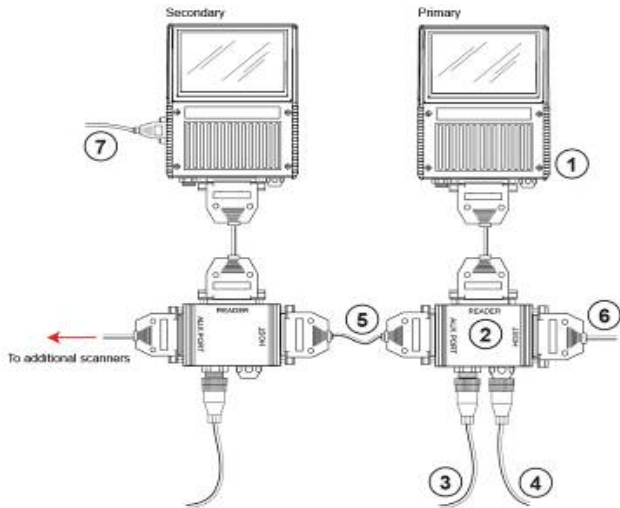
** 1 free host cable is included with each MS-Connect 210

* 1 free per order, 37-000001-02 (CD ROM only) can be ordered for free if larger quantity is required.

† Choose one cable.

Daisy Chain

A primary scanner is linked directly to the host. Secondary scanners (up to 9) are linked in tandem. Data is sent from the primary scanner directly to the host.



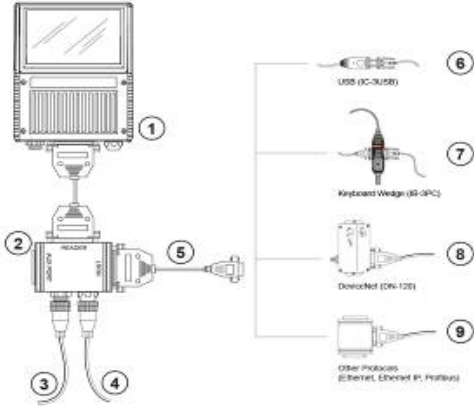
System Matrix

Product	Reference No.	Description	List Price
(1) MS-890	FIS-0890-0001G	Scanner, Industrial, Long Range	€ 3,495
(2) IB-150 Kit	98-000040-02	IB-150 Interface and Reader Cable, 6 ft	€ 175
(3) Power Supply	97-100004-15	Power Supply, 90-264 VAC, 24VDC USA /Euro Plug	€ 125
(4) Object Detector (If applicable)	99-000004-01	Package Detector, Std. Diffuse, 120 inch Range, 4-pin Plug	€ 225
(5) Daisy Chain Cable	61-100029-03	Cable, Connects IB-150 to IB-150, 1 ft (.3 meters)	€ 30
(6) IB-150 Host Cable	61-000034-02***	Cable, 25 pin Socket to 9 pin Socket, 6 ft	€ 30
(7) Configuration Cable	61-000010-02	Serial, 9 pin, D-Sub, Socket to 9 pin, D-Sub, Socket	€ 30
Mounting Arm Kit	98-000018-01	Mounting Arm/Adapter Kit, MS-890	€ 90
Mounting Plate	98-000046-01	Mounting Stand Base Plate	€ 40
User's Manuals, ESP Software	37-000001-01*	TOOLS CD, User's Manuals, ESP Software	€ 30

* 1 free per order, 37-000001-02 (CD ROM only) can be ordered for free if larger quantity is required.

*** If using another communications cable, make sure it does not have RTS/CTS connected to the host.

Optional Interface Protocols



System Matrix

Product	Reference No.	Description	List Price
(1) MS-890	FIS-0890-0001G	Scanner, Industrial, Long Range	€ 3,495
(2) IB-150 Kit	98-000040-02	IB-150 Interface and Reader Cable, 6 ft	€ 175
(3) Power Supply	97-100004-15	Power Supply, 90-264 VAC, 24VDC, USA /Euro Plug	€ 125
(4) Object Detector (If applicable)	99-000004-01	Package Detector, Standard Diffuse, 120 inch Range, 4-pin Plug	€ 225
(5) Cable, Comm/Serial	61-000034-02	Cable, 25 Pin D-sub, Socket to 9 Pin D-sub, Socket, 6 ft	€ 30
(6) IC-3USB***	98-000051-01	USB Conversion Kit	€ 75
(7) IB-3PC****	FIS-0001-0030G	Keyboard Wedge PC Interface	€ 100
(8) DN-120	20-500013-01 ¹	DeviceNet Protocol Box	€ 595
(9) Other Protocols (Ethernet, EtherNet/IP, Profibus)	Third Party	Ask your Microscan sales representative which solution is appropriate for your application.	Various
Mounting Arm Kit	98-000018-01	Mounting Arm/Adapter Kit, MS-890	€ 90
Mounting Plate	98-000046-01	Mounting Stand Base Plate	€ 40
User's Manuals, ESP Software	37-000001-01*	TOOLS CD, User's Manuals, ESP Software	€ 30

*1 free per order.

**Refer to page 8 for a complete listing of support agreement options.

*** Pin Converter is not required for this configuration.

****Set the IB-3PC to **position 2** in this configuration.

¹ Part is not RoHS compliant.

MICROSCAN

Auto ID 2D Readers and Verifiers

MS-4 Compact 2D Imager

Narrow-bar-width		Field of View (maximum)	Read Range
1D	2D		
Standard Density			
0.0075 " (0.19 mm)	0.010 " (0.25 mm)	2.4 " (61 mm)	2.0 " to 4.0 " (51 mm to 102 mm)
0.010 " (0.25 mm)	0.015 " (0.38 mm)	2.6 " (66 mm)	1.7 " to 4.7 " (43 mm to 119 mm)
0.015 " (0.38 mm)	0.020 " (0.51 mm)	2.8 " (71 mm)	1.4 " to 5.2 " (36 mm to 132 mm)
Low Density			
0.010 " (0.25 mm)	0.015 " (0.38 mm)	4.2 " (107 mm)	3.5 " to 4.5 " (89 mm to 114 mm)
0.015 " (0.38 mm)	0.020 " (0.51 mm)	4.5 " (114 mm)	2.7 " to 5.0 " (69 mm to 127 mm)
0.020 " (0.51 mm)	0.030 " (0.76 mm)	5.5 " (140 mm)	2.0 " to 6.0 " (51 mm to 152 mm)



****Important Pricing Discount Note**** Product discounts are applied based on the Product TYPE as indicated in the TYPE column of each price sheet.

Three (3) Product Types are defined as follows: P = PRODUCT Discount, VP= Vision/NER Product Discount, or A=Accessory level discount.

Refer to your Partner Agreement for the actual discount percentage by Product Type.

Imagers MS-4

Part Number	Description	List Price	Type
FIS-0004-0001G	Imager, Standard Density, RS-232, 5VDC	€ 825	P
FIS-0004-0002G	Imager, Low Density, RS-232, 5VDC	€ 825	P
FIS-0004-0003G	Imager, Standard Density, USB*	€ 825	P
FIS-0004-0004G	Imager, Low Density, USB*	€ 825	P

* Cable terminated with USB type A connector.

Accessories

Part Number	Description	List Price	Type
FIS-0210-0001G	MS-Connect 210, Connectivity Box with Display	€ 495	A
FIS-0210-0002G	MS-Connect 210, Connectivity Box	€ 325	A
FIS-0210-0003G	MS-Connect 210, Connectivity Box with Display and Ethernet	€ 655	A
FIS-0210-0004G	MS-Connect 210, Connectivity Box with Ethernet	€ 495	A
98-000013-04	Relay Module, 120VAC, 3 Amp Output, Series 70, Type SM, for MS-Connect 210 and MS-89	€ 47	A
98-000013-05	Relay Module, 240VAC, 3 Amp Output, Series 70, Type SM for MS-Connect 210 and MS-89C	€ 47	A
98-000013-06	Relay Module, 24VDC, 3 Amp Output, Series 70, Type SM for MS-Connect 210 and MS-890	€ 47	A
61-000127-02	Reader Cable MS-4 to MS-Connect 210, 6 ft	€ 100	A
FIS-0001-0030G	IB-3PC Keyboard Wedge/Interface Box	€ 100	A
FIS-0001-0035G	IC-332, Connects MS-4 to IB-131	€ 150	A
99-000018-01	IB-131, Interface Box	€ 150	A
98-000039-02	Kit, IB-152, DB25 Plug Terminal Block, DB25 Gender Changer *	€ 125	A
61-300026-03	Cable, Communication, DB-25 Plug to DB-9 Socket, 6 ft	€ 30	A
61-100029-03	Cable, IB-131 Daisy Chain, 1 ft	€ 30	A
61-000010-02	Cable, Communication, DB-9 Socket to DB-9 Socket, 6 ft	€ 30	A
20-500013-01	DeviceNet Protocol Box*	€ 595	A
61-000011-02	Cable, MS-820 to IB-131 (also use for MS-3, 4, 9, 710 and MINI Extension)	€ 30	A

*Part is not RoHS compliant.

Power Supplies

Part Number	Description	List Price	Type
97-000002-01	Power Supply, 90-264 VAC,+5VDC, USA/Euro Plug (use with IB-3PC)	€ 75	A
97-100004-15	Power Supply, 90-264 VAC,+24VDC, USA /Euro Plug (Only use with IC-332)	€ 125	A

Mounting and Connectors

Part Number	Description	List Price	Type
98-000048-01	Mounting Arm/Adapter Kit, 4 inch, MS-4	€ 70	A
98-000054-01	Kit, Mounting Stand Base Plate, MS-4	€ 30	A
98-000053-01	Extension Kit, 4 inch, MS-4	€ 35	A
98-000053-02	Extension Kit, 3 inch, MS-4	€ 35	A
98-000060-01	Kit, Bracket, Side Mount, MS-4	€ 20	A
98-000059-01	Kit, Bracket, Angle Mount, MS-4	€ 20	A
98-000057-01	Kit, Bracket, Through Hole Mount, MS-4	€ 20	A
98-000088-01	Kit, Right Angle Mirror, MS-4	€ 50	A
20-610024-01	Trigger Connector, 4-pin Plug (screw terminal and field wireable)	€ 30	A
20-610020-01	Power Connector, 3-pin Socket (screw terminal and field wireable)	€ 30	A

Prices and Specifications Subject to Change

€100 Minimum Order

Tel: 425.226.5700
Fax: 425.226.8250

07-000001-01, Rev AC
www.microscan.com

Confidential Document

Page 45 of 109

MICROSCAN.

Package Detector/Sensor

Part Number	Description	List Price	Type
99-000017-01	Photo Sensor, Visible, NPN, DARK ON	€ 175	A
99-000017-02	Photo Sensor, Visible, NPN, LIGHT ON	€ 175	A

Software/Manuals

Part Number	Description	List Price	Type
37-000001-01	TOOLS CD, User's Manuals, ESP Software *	€ 30	A
37-000003-01	TOOLS CD, EZ Trax Software **	€ 500	A

* 1 free per order, 37-000001-02 (CD ROM only) can be ordered for free if larger quantity is required.

** EZ Trax is an accessory.

Note:

MS-4 Tech References are equal to MS-3 Laser with the exception of USB

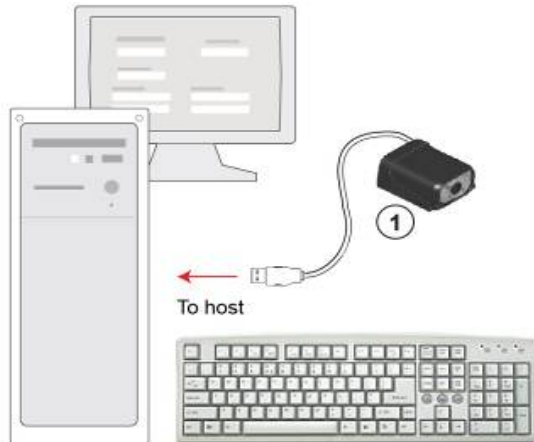
Visit the MS-3 Laser section for configuration references

MICROSCAN.

Tech Reference MS-4

USB

This is the basic setup for a single USB MS-4.



System Matrix

Product	Reference No.	Description	List Price
(1) MS-4 USB	FIS-0004-XXXXG	Imager Model	Varies
Mounting Arm/Adapter Kit	98-000048-01	4" (102mm) Mounting Kit	€ 70
Mounting Plate	98-000054-01	Mounting Stand Base Plate, Small	€ 30
EZ Trax Software	37-000003-01	Image Capture and Storage Software	€ 500
User's Manuals, ESP Software	37-000001-01	TOOLS CD, User's Manuals, ESP Software *	€ 30

* 1 free per order, 37-000001-02 (CD ROM only) can be ordered for free if larger quantity is required.

MICROSCAN.

Quadrus MINI Family of Imagers



Narrow-bar-width		Field of View (maximum)	Read Range (using auto-focus)
1D	2D		
Ultra High Density			
0.0033 " (0.08 mm)	0.005 " (0.13 mm)	2.2 " (56 mm)	2.0 " to 4.4 " (51 mm to 112 mm)
0.0075 " (0.19 mm)	0.010 " (0.25 mm)	3.6 " (91 mm)	1.8 " to 6.7 " (46 mm to 170 mm)
0.015 " (0.38 mm)	0.020 " (0.51 mm)	4.0 " (102 mm)	1.9 " to 7.7 " (48 mm to 196 mm)
High Density			
0.005 " (0.13 mm)	0.0075 " (0.19 mm)	3.1 " (79 mm)	1.5 " to 6.0 " (38 mm to 152 mm)
0.0075 " (0.19 mm)	0.010 " (0.25 mm)	4.2 " (107 mm)	1.2 " to 7.0 " (30 mm to 178 mm)
0.015 " (0.38 mm)	0.020 " (0.51 mm)	5.6 " (142 mm)	0.9 " to 9.0 " (23 mm to 229 mm)
Standard Density			
0.005 " (0.13 mm)	0.0075 " (0.19 mm)	3.2 " (81 mm)	1.8 " to 3.5 " (46 mm to 89 mm)
0.0075 " (0.19 mm)	0.010 " (0.25 mm)	4.2 " (107 mm)	1.6 " to 5.0 " (41 mm to 127 mm)
0.010 " (0.25 mm)	0.015 " (0.38 mm)	6.8 " (173 mm)	1.4 " to 7.5 " (36 mm to 191 mm)
0.020 " (0.51 mm)	0.030 " (0.76 mm)	9.5 " (241 mm)	1.0 " to 10.0 " (25 mm to 254 mm)

Listed above is the read range chart for Quadrus MINI and MINI ESD Safe Imagers. See MINI 3 and Velocity section for additional specifications

****Important Pricing Discount Note**** Product discounts are applied based on the Product TYPE as indicated in the TYPE column of each price sheet.

Three (3) Product Types are defined as follows: P = PRODUCT Discount, VP= Vision/NER Product Discount, or A=Accessory level discount.

Refer to your Partner Agreement for the actual discount percentage by Product Type.

Quadrus MINI Imagers

Part Number	Description	List Price	Type
FIS-6300-0001G	Megapixel Imager, Standard Density, Serial, 5VDC	€ 1,665	P
FIS-6300-0002G	Megapixel Imager, High Density, Serial, 5VDC	€ 1,665	P
FIS-6300-0003G	Megapixel Imager, Ultra High Density, Serial, 5VDC	€ 1,665	P
FIS-6300-0013G	Megapixel Imager, Standard Density, USB+I/O,5VDC *	€ 1,740	P
FIS-6300-0014G	Megapixel Imager, High Density, USB+I/O,5VDC *	€ 1,740	P
FIS-6300-0015G	Megapixel Imager, Ultra High Density, USB+I/O,5VDC *	€ 1,740	P

* Includes required power supply.

MICROSCAN

Quadrus MINI ESD Safe



Performance specifications match Quadrus MINI

Quadrus MINI ESD Safe Imagers

Part Number	Description	List Price	Type
FIS-6300-1001G	Quadrus MINI, Standard Density, ESD Safe, RS-232/422/485, 5VDC	€ 2,295	P
FIS-6300-1002G	Quadrus MINI, High Density, ESD Safe, RS-232/422/485, 5VDC	€ 2,295	P
FIS-6300-1003G	Quadrus MINI, Ultra High Density, ESD Safe, RS-232/422/485, 5VDC	€ 2,295	P
FIS-6300-1004G	Quadrus MINI, Standard Density, ESD Safe, USB, 5VDC*	€ 2,370	P
FIS-6300-1005G	Quadrus MINI, High Density, ESD Safe, USB, 5VDC*	€ 2,370	P
FIS-6300-1006G	Quadrus MINI, Ultra High Density, ESD Safe, USB, 5VDC*	€ 2,370	P

Quadrus MINI Velocity



Narrow-bar-width		Field of View (maximum)	Read Range (using autofocus)
1D	2D		
Ultra High Density			
.0033" (0.08 mm)	.005" (.13 mm)	1.1" (29 mm)	1.9 to 3.0" (48 mm to 76 mm)
.0005" (0.13 mm)	.075" (1.9 mm)	1.8" (45 mm)	1.8 to 5.0" (46 mm to 127 mm)
.010" (0.25 mm)	.015" (.38 mm)	2.5" (64 mm)	1.6 to 7.0" (41 mm to 178 mm)
Standard Density			
.005" (0.13 mm)	.0075" (.19 mm)	2.7" (69 mm)	1.7 to 3.4" (43 mm to 86 mm)
.0075" (0.19 mm)	.010" (.25 mm)	3.7" (93 mm)	1.6 to 5.0" (41 mm to 127mm)
.010" (0.25 mm)	.015" (.38 mm)	4.7" (118 mm)	1.4 to 8.0" (36 mm to 203 mm)
.020" (0.51 mm)	.030" (.76 mm)	5.3" (136 mm)	1.3 to 9.3" (33 mm to 236 mm)

Subject to change

Quadrus MINI Velocity Imagers

Part Number	Description	List Price	Type
FIS-6300-3001G	Quadrus MINI Velocity, Standard Density, Serial, 5VDC	€ 1,665	P
FIS-6300-3002G	Quadrus MINI Velocity, Ultra High Density, Serial, 5VDC	€ 1,665	P
FIS-6300-3009G	Quadrus MINI Velocity, Standard Density, USB+I/O, 5VDC *	€ 1,740	P
FIS-6300-3010G	Quadrus MINI Velocity, Ultra High Density, USB+I/O, 5VDC *	€ 1,740	P

* Includes required power supply.

MICROSCAN.

MINI Hawk 3MP



Narrow-bar-width		Field of View (maximum)	Read Range (using autofocus)
1D	2D		
Micro Density			
.0028" (.07 mm)	.0033" (.08 mm)	1.2" (30.4 mm)	1.9 to 2.0" (48.3 mm to 50.8 mm)
.0033" (.08 mm)	.005" (.13 mm)	4" (101.6 mm)	1.9 to 5.1" (48.3 mm to 129.5 mm)
.0075" (.19 mm)	.010" (.25 mm)	4.5" (114.3 mm)	1.7 to 5.6" (43.2 mm to 142.2 mm)
.015" (.38 mm)	.020" (.51 mm)	5.0" (127 mm)	1.7 to 6" (43.2 mm to 152.4 mm)
Standard Density			
.0033" (.08 mm)	.005" (.13 mm)	3.2" (81.3 mm)	1.9 to 3" (48 mm to 76.2 mm)
.005" (.13 mm)	.0075" (.19 mm)	5.0" (127 mm)	1.8 to 4.8" (46 mm to 121.9 mm)
.0075" (.19 mm)	.010" (.25 mm)	6.2" (157.5 mm)	1.6 to 6.5" (41 mm to 165.1 mm)
.010" (.25 mm)	.015" (.38 mm)	8.5" (215.9 mm)	1.4 to 8.5" (36 mm to 215.9 mm)
.020" (.51 mm)	.030" (.76 mm)	9.5" (241 mm)	1.0 to 10" (25 mm to 254 mm)

Subject to change

MINI Hawk 3MP Imagers

Part Number	Description	List Price	Type
FIS-6300-2013G	MINI Hawk 3, Micro Density, Serial, 5VDC	€ 2,095	P
FIS-6300-2014G	MINI Hawk 3, Standard Density, Serial, 5VDC	€ 2,095	P
FIS-6300-2015G	MINI Hawk 3, Micro Density, USB + I/O, 5VDC	€ 2,170	P
FIS-6300-2016G	MINI Hawk 3, Standard Density, USB + I/O, 5VDC	€ 2,170	P

* Includes required power supply.

MINI Hawk High Resolution



Narrow-bar-width		Field of View (maximum)	Read Range (with autofocus)
1D	2D		
Ultra High Density			
.0033" (0.08 mm)	.005" (.13 mm)	2.2" (56 mm)	2.0 to 4.4" (51 mm to 112 mm)
.0075" (0.19 mm)	.010" (.25 mm)	3.6" (91 mm)	1.9 to 6.7" (48 mm to 170 mm)
.015" (0.38 mm)	.020" (.51 mm)	4.0" (102 mm)	1.9 to 7.7" (48 mm to 196 mm)
High Density			
.005" (0.13 mm)	.0075" (.19 mm)	3.1" (79 mm)	1.5 to 6.0" (38 mm to 152 mm)
.0075" (0.19 mm)	.010" (.25 mm)	4.2" (107 mm)	1.2 to 8.0" (30 mm to 203 mm)
.015" (0.38 mm)	.020" (.51 mm)	5.6" (142 mm)	0.9 to 10.5" (23 mm to 267 mm)
Standard Density			
.005" (0.13 mm)	.0075" (.19 mm)	3.2" (81 mm)	1.8 to 3.5" (46 mm to 89 mm)
.0075" (0.19 mm)	.010" (.25 mm)	4.2" (107 mm)	1.6 to 5.0" (41 mm to 127 mm)
.010" (0.25 mm)	.015" (.38 mm)	6.8" (173 mm)	1.4 to 7.5" (36 mm to 191 mm)
.020" (0.51 mm)	.030" (.76 mm)	9.5" (241 mm)	1.0 to 11.0" (25 mm to 279 mm)

Subject to change

MINI Hawk High Resolution

Part Number	Description	List Price	Type
FIS-6300-4007G	MINI Hawk High Res, Standard Density, Serial, 5VDC	€ 1,895	P
FIS-6300-4008G	MINI Hawk High Res, High Density, Serial, 5VDC	€ 1,895	P
FIS-6300-4009G	MINI Hawk High Res, Ultra High Density, Serial, 5VDC	€ 1,895	P
FIS-6300-4010G	MINI Hawk High Res, Standard Density, USB+I/O, 5VDC*	€ 1,970	P
FIS-6300-4011G	MINI Hawk High Res, High Density, USB+I/O, 5VDC*	€ 1,970	P
FIS-6300-4012G	MINI Hawk High Res, Ultra High Density, USB+I/O, 5VDC*	€ 1,970	P

Prices and Specifications Subject to Change

€100 Minimum Order

Tel: 425.226.5700
Fax: 425.226.8250

07-000001-01, Rev AC
www.microscan.com

Confidential Document

Page 50 of 109

MICROSCAN.

MINI Hawk High Speed



Narrow-bar-width		Field of View (maximum)	Read Range (with autofocus)
1D	2D		
Ultra-High Density			
.0033" (.08 mm)	.005" (.13 mm)	1.6" (40 mm)	1.9 to 4.4" (47 mm to 110 mm)
.0075" (.19 mm)	.010" (.25 mm)	2.5" (64 mm)	1.7 to 6.7" (42 mm to 170 mm)
.015" (.38 mm)	.020" (.51 mm)	2.9" (74 mm)	1.5 to 8.0" (38 mm to 203 mm)
Standard Density			
.005" (.13 mm)	.0075" (.19 mm)	2.8" (72 mm)	1.6 to 4.4" (41 mm to 112 mm)
.0075" (.19 mm)	.010" (.25 mm)	3.8" (97 mm)	1.5 to 6.2" (38 mm to 157 mm)
.010" (.25 mm)	.015" (.38 mm)	4.7" (118 mm)	1.4 to 7.6" (36 mm to 193 mm)
.020" (.51 mm)	.030" (.76 mm)	6.2" (158 mm)	1.3 to 10.0" (33 mm to 254 mm)

Subject to change

MINI Hawk High Speed Imagers

Part Number	Description	List Price	Type
FIS-6300-5005G	MINI Hawk High Speed, Standard Density, Serial, 5VDC	€ 1,895	P
FIS-6300-5006G	MINI Hawk High Speed, Ultra High Density, Serial, 5VDC	€ 1,895	P
FIS-6300-5007G	MINI Hawk High Speed, Standard Density, USB+I/O, 5VDC*	€ 1,970	P
FIS-6300-5008G	MINI Hawk High Speed, Ultra High Density, USB+I/O, 5VDC*	€ 1,970	P

* Includes required power supply.

Note:

Quadrus MINI Tech References are equal to MS-3 Laser with the exception of USB

Visit the MS-3 Laser section for configuration references

Accessories

Part Number	Description	List Price	Type
FIS-0210-0001G	MS-Connect 210, Connectivity Box with Display	€ 495	A
FIS-0210-0002G	MS-Connect 210, Connectivity Box	€ 325	A
FIS-0210-0003G	MS-Connect 210, Connectivity Box with Display and Ethernet	€ 655	A
FIS-0210-0004G	MS-Connect 210, Connectivity Box with Ethernet	€ 495	A
98-000013-04	Relay Module, 120VAC, 3 Amp Output, Series 70, Type SM, for MS-Connect 210 and M	€ 47	A
98-000013-05	Relay Module, 240VAC, 3 Amp Output, Series 70, Type SM for MS-Connect 210 and M	€ 47	A
98-000013-06	Relay Module, 24VDC, 3 Amp Output, Series 70, Type SM for MS-Connect 210 and M	€ 47	A
61-000127-02	Cable, Quadrus MINI to MS-Connect 210, 6 ft	€ 100	A
FIS-0001-0035G	IC-332, Connects MINI to IB-131*	€ 150	A
99-000018-01	IB-131, Interface Box	€ 150	A
98-000039-02	Kit, IB-152, DB25 Plug Terminal Block, DB25 Gender Changer *	€ 125	A
61-300026-03	Cable, Communication, DB-25 Plug to DB-9 Socket, 6 ft	€ 30	A
61-100029-03	Cable, IB-131 Daisy Chain, 1 ft	€ 30	A
20-500013-01	DeviceNet Protocol Box * ¹	€ 595	A
61-000011-02	Cable, MS-820 to IB-131 (also use for MS-3, 4, 9, 710 and MINI Extension)	€ 30	A
61-000151-01	Cable, MINI USB, I/O Breakout, Flying Leads, 3ft	€ 30	A
98-000098-01	Kit, Quadrus MINI Diffuser	€ 50	A

* Works with IB-131. ¹ Part is not RoHS compliant.

Power Supply

Part Number	Description	List Price	Type
97-100004-15	Power Supply, 90-264 VAC,+24VDC, USA /Euro Plug (Only use with IC-332)	€ 125	A

Mounting and Connectors

Part Number	Description	List Price	Type
98-000048-01	Mounting Arm/Adapter Kit, 4 inch, Quadrus MINI	€ 70	A
98-000054-01	Kit, Mounting Stand Base Plate, Quadrus MINI	€ 30	A
98-000053-01	Extension Kit, 4 inch, Quadrus MINI	€ 35	A
98-000053-02	Extension Kit, 3 inch, Quadrus MINI	€ 35	A
98-000060-01	Kit, Bracket, Side Mount, Quadrus MINI	€ 20	A
98-000059-01	Kit, Bracket, Angle Mount, Quadrus MINI	€ 20	A
98-000057-01	Kit, Bracket, Through Hole Mount, Quadrus MINI	€ 20	A
98-000088-01	Kit, Right Angle Mirror	€ 50	A
20-610024-01	Trigger Connector for IB-131, 4-pin Plug	€ 30	A
20-610020-01	Power Connector for IB-131, 3-pin Socket	€ 30	A

Package Detector/Sensor

Part Number	Description	List Price	Type
99-000017-01	Photo Sensor, Visible, NPN, Dark On	€ 175	A
99-000017-02	Photo Sensor, Visible, NPN, Light On	€ 175	A
99-000019-01	Photo Sensor, Visible, NPN, Light On, 5VDC	€ 175	A

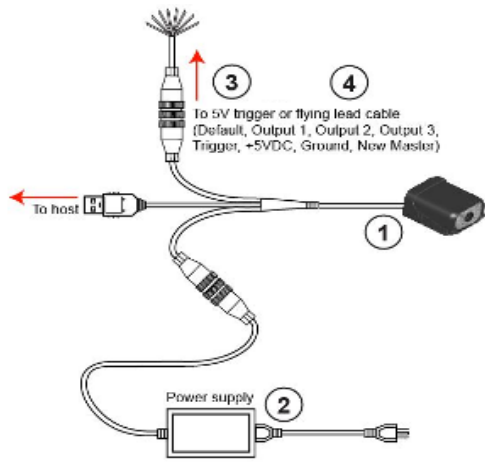
Software/Manuals

Part Number	Description	List Price	Type
37-000001-01	TOOLS CD, User's Manuals, ESP Software *	€ 30	A
37-000003-01	TOOLS CD, EZ Trax Software **	€ 500	A

Tech Reference *Quadrus MINI*

USB

This is the basic setup for a single USB (Second Generation) Quadrus MINI.



System Matrix

Product	Reference No.	Description	List Price
(1) Quadrus MINI	FIS-6300-XXXXG	MINI Imager, USB	Varies
(2) Power Supply	97-000002-02	Power Supply , 90-264 VAC, +5VDC *	Incl.
(3) 5v Object Detector	99-000019-01	Photo Sensor, Visible, NPN, Light On, 5VDC	€ 175
(4) Flying Lead Cable	61-000151-01	Cable, MINI USB, I/O Breakout, Flying Leads, 3ft	€ 30
Mounting Arm/Adapter Kit	98-000048-01	4" (102mm) Mounting Kit	€ 70
Mounting Plate	98-000054-01	Mounting Stand Base Plate, Small	€ 30
EZ Trax Software	37-000003-01	Image Capture and Storage Software	€ 500
User's Manuals, ESP Software	37-000001-01	TOOLS CD, User's Manuals, ESP Software **	€ 30
Replacement Power Supply	97-000002-02	Power Supply , 90-264 VAC, +5VDC *	€ 75

*Required power supply included with each reader.

* 1 free per order, 37-000001-02 (CD ROM only) can be ordered for free if larger quantity is required.

MICROSCAN.

QX Hawk High Performance, Flexible, Industrial Imager for Auto ID



Compact Size
Fast and Powerful
X-Mode Algorithms
Liquid Lens Imaging System
QX Platform
Integrated Ethernet
IP65/67

MODULAR ZOOM OPTICS: Inches (mm)

15°	Narrow-bar-width		Read Range (using autofocus)	Field of View		Depth of Field	
	1D	2D		Inside Edge	Outside Edge	Inside Edge	Outside Edge
	0.0033 (0.08)	0.005 (0.13)	1 to 6 (25 to 152)	0.53 (13)	1.8 (46)	0.2 (5)	0.8 (20)
	0.0075 (0.19)	0.010 (0.25)	1 to 14 (25 to 356)	0.53 (13)	3.5 (89)	0.8 (20)	2.5 (64)
	0.015 (0.38)	0.020 (0.51)	2 to 29 (51 to 737)	0.53 (13)	7.5 (191)	1.5 (38)	9 (229)
	0.035 (0.89)	0.050 (1.27)	3 to 60 (76 to 1524)	1.03 (26)	15.5 (394)	7 (178)	50 (1270)

30°	Narrow-bar-width		Read Range (using autofocus)	Field of View		Depth of Field	
	1D	2D		Inside Edge	Outside Edge	Inside Edge	Outside Edge
	0.0033 (0.08)	0.005 (0.13)	1 to 3 (25 to 76)	0.83 (21)	1.8 (46)	0.4 (10)	0.8 (20)
	0.0075 (0.19)	0.010 (0.25)	1 to 6.5 (25 to 165)	0.83 (21)	3.5 (89)	0.8 (20)	1.8 (46)
	0.015 (0.38)	0.020 (0.51)	1 to 16 (25 to 406)	0.83 (21)	8.3 (211)	2 (51)	8.5 (216)
	0.035 (0.89)	0.050 (1.27)	2 to 32 (51 to 813)	1.3 (33)	16.4 (417)	3 (76)	21.5 (546)

45°	Narrow-bar-width		Read Range (using autofocus)	Field of View		Depth of Field	
	1D	2D		Inside Edge	Outside Edge	Inside Edge	Outside Edge
	0.0075 (0.19)	0.010 (0.25)	1 to 5 (25 to 127)	1.3 (33)	4.1 (104)	1.5 (38)	2 (51)
	0.015 (0.38)	0.020 (0.51)	1 to 9.5 (25 to 241)	1.3 (33)	7.5 (191)	2 (51)	6 (152)
	0.035 (0.89)	0.050 (1.27)	1 to 23.5 (25 to 597)	1.3 (33)	18.3 (465)	3.8 (97)	19 (483)

****Important Pricing Discount Note**** Product discounts are applied based on the Product TYPE as indicated in the TYPE column of each price sheet.

Three (3) Product Types are defined as follows: P = PRODUCT Discount, VP= Vision/NER Product Discount, or A=Accessory level discount.

Refer to your Partner Agreement for the actual discount percentage by Product Type.

QX Hawk CMOS Readers

Part Number	Description	List Price	Type
FIS-6800-0110G	QX Hawk, Industrial Imager, CMOS, 15 Degree Optic, Serial	€ 2,390	P
FIS-6800-1110G	QX Hawk, Industrial Imager, CMOS, 15 Degree Optic, Ethernet	€ 2,390	P
FIS-6800-0210G	QX Hawk, Industrial Imager, CMOS, 30 Degree Optic, Serial	€ 2,390	P
FIS-6800-1210G	QX Hawk, Industrial Imager, CMOS, 30 Degree Optic, Ethernet	€ 2,390	P
FIS-6800-0310G	QX Hawk, Industrial Imager, CMOS, 45 Degree Optic, Serial	€ 2,390	P
FIS-6800-1310G	QX Hawk, Industrial Imager, CMOS, 45 Degree Optic, Ethernet	€ 2,390	P

QX Hawk CCD Readers

Part Number	Description	List Price	Type
FIS-6800-0100G	QX Hawk, Industrial Imager, CCD, 15 Degree Optic, Serial	€ 2,640	P
FIS-6800-1100G	QX Hawk, Industrial Imager, CCD, 15 Degree Optic, Ethernet	€ 2,640	P
FIS-6800-0200G	QX Hawk, Industrial Imager, CCD, 30 Degree Optic, Serial	€ 2,640	P
FIS-6800-1200G	QX Hawk, Industrial Imager, CCD, 30 Degree Optic, Ethernet	€ 2,640	P
FIS-6800-0300G	QX Hawk, Industrial Imager, CCD, 45 Degree Optic, Serial	€ 2,640	P
FIS-6800-1300G	QX Hawk, Industrial Imager, CCD, 45 Degree Optic, Ethernet	€ 2,640	P

QX Hawk Accessories

Part Number	Description	List Price	Type
98-000143-01	Adapter plate kit, QX Hawk to Quadrus EZ, MS-9 or HE1500 mounting	€ 50	A
98-000144-01	Right angle mirror kit, QX Hawk	€ 75	A
98-000146-01	Window replacement, QX Hawk	€ 30	A
98-000147-01	15° Lens kit, QX Hawk	€ 100	A
98-000147-02	30° Lens kit, QX Hawk	€ 100	A
98-000147-03	45° Lens kit, QX Hawk	€ 100	A
98-000205-01	Glass window kit with IR Filter	€ 100	A
98-000206-01	Glass window kit	€ 50	A
98-000148-01	L bracket kit, QX Series	€ 40	A
98-000149-01	Demo kit, QX Hawk	€ 400	A

Prices and Specifications Subject to Change

€100 Minimum Order

Confidential Document

Tel: 425.226.5700
 Fax: 425.226.8250

07-000001-01, Rev AC
 www.microscan.com

Page 54 of 109

QX-1 and Cordsets

Part Number	Description	List Price	Type
98-000103-02	QX-1 Interface Device	€ 120	A
61-000148-01	QX Cordset, Common, M12 12 pin Plug to M12 12 pin Socket, 3m	€ 40	A
61-000148-02	Industrial Cordset (screw down), Common, M12 12 pin Plug to M12 12 pin Socket, 3m	€ 36	A
61-000162-01	QX Cordset, Common, M12 12 pin Plug to M12 12 pin Socket, 1m	€ 40	A
61-000162-02	Industrial Cordset (screw down), Common, M12 12 pin Plug to M12 12 pin Socket, 1m	€ 36	A
61-000153-01	QX Cordset, Host, Serial, M12 12 pin Socket to DB9, 1m	€ 40	A
61-000164-01	QX Cordset, Host, Serial, M12 12 pin Socket to DB9, 3m	€ 40	A
61-000152-01	QX Cordset, Host, Serial, M12 12 pin Plug to DB9, 1m	€ 40	A
61-000165-01	QX Cordset, Host, Serial, M12 12 pin Plug to DB9, 3m	€ 40	A
61-000163-01	QX Cordset, Host, Ethernet, M12 8 pin Plug to RJ45, 3m	€ 40	A
61-000160-01	QX Cordset, Host, Ethernet, M12 8 pin Plug to RJ45, 1m	€ 40	A
61-000161-01	QX Cordset, M12 12 pin Plug to MS-Connect 5100, 3m	€ 40	A
61-000159-03	QX Cordset, M12 12 pin Plug & M12 12 pin to IB-131 (RS-232), 2m	€ 100	A
61-000159-04	QX Cordset, M12 12 pin Plug & M12 12 pin to IB-131 (422/485), 2m	€ 100	A
61-000158-03	QX Cordset, M12 12 pin Plug & M12 12 pin to MS-Connect 210, (RS-232), 2m	€ 160	A
61-000158-04	QX Cordset, M12 12 pin Plug & M12 12 pin to MS-Connect 210, (422/485), 2m	€ 160	A
61-000166-01	QX Cordset, M12 12 pin Plug, Flying leads, 3m	€ 40	A
61-000167-01	QX Cordset, M12 12 pin Socket, Flying leads, 3m	€ 40	A
FIS-0210-0001G	MS-Connect 210, Connectivity Box with Display	€ 495	A
FIS-0210-0002G	MS-Connect 210, Connectivity Box	€ 325	A
FIS-0210-0003G	MS-Connect 210, Connectivity Box with Display and Ethernet	€ 655	A
FIS-0210-0004G	MS-Connect 210, Connectivity Box with Ethernet	€ 495	A

Power Supplies

Part Number	Description	List Price	Type
97-000003-01	QX Power Supply, M12 12 pin Socket, 1.3m	€ 80	A
97-000003-02	QX Power Supply, M12 12 pin Plug, 1.3m	€ 80	A

Package Detector/Sensor

Part Number	Description	List Price	Type
99-000020-02	QX Photo sensor, M12 4pin Plug, NPN, Dark On, 2m	€ 80	A
99-000020-01	QX Photo sensor, M12 4pin Plug, NPN, Dark Off, 2m	€ 80	A

Mounting and Connectors

Part Number	Description	List Price	Type
98-500006-01	Mounting Plate Kit, Flat, Custom Surfaces *	€ 20	A
61-000166-01	QX Cordset, M12 12pin Plug, Flying leads, 3m	€ 40	A
61-000167-01	QX Cordset, M12 12pin Socket, Flying leads, 3m	€ 40	A
20-610024-01	Trigger Connector, 4-pin Plug (screw terminal and field wireable) (for self wiring)	€ 30	A
98-000037-01	Extension Kit, All Scanners, 6 inch	€ 55	A
98-000054-01	Kit, Mounting Stand Base Plate, Small	€ 30	A

* Though-hole mounting plate; not for use with mounting arm.

Part Number	Description	List Price	Type
37-000001-01	TOOLS CD, User's Manuals, ESP Software *	€ 30	A

* 1 free per order, 37-000001-02 (CD ROM only) can be ordered for free if larger quantity is required.

Note:

**QX Hawk Tech References are equal to QX-830
Reference the QX-830 section for configuration references**

MICROSCAN

Hawkeye 1500



Hawkeye 1515 Fixed Focus
w/Brightfield

Hawkeye 1510 w/ C Mount

Hawkeye 1525 Fixed Focus
w/Darkfield

Type	Hawkeye 1510	Hawkeye 1515	Hawkeye 1525
Optical resolution	640 x 480 pixels		
Field of view (H x V) at a definite working distance	Depends on lens selection	<p>Hawkeye 1515MD: 1.3" x 1.0" at 4.0" (3.30 cm x 2.54 cm at 10.16 cm) 1.55" x 1.19" at 5.0" (3.94 cm x 3.02 cm at 12.70 cm) 1.80" x 1.36" at 6.0" (4.57 cm x 3.45 cm at 15.24 cm)</p> <p>Hawkeye 1515HD: 0.87" x 0.67" at 2.5" (0.21 cm x 1.70 cm at 6.35 cm) 1.0" x 0.75" at 3.0" (2.54 cm x 1.90 cm at 7.62 cm) 1.11" x 0.85" at 3.5" (2.82 cm x 2.16 cm at 8.89 cm)</p> <p>Hawkeye 1515SHD: 0.50" x 0.38" at 3.0" (1.27 cm x 0.97 cm at 7.62 cm) 0.55" x 0.42" at 3.5" (1.40 cm x 1.14 cm at 8.89 cm) 0.60" x 0.46" at 4.0" (1.55 cm x 1.07 cm at 10.16 cm)</p> <p>Hawkeye 1515LHD: 0.24" x 0.18" at 2.13" (0.61 cm x 0.46 cm at 5.41 cm) 0.25" x 0.19" at 2.25" (0.64 cm x 0.48 cm at 5.71 cm) 0.26" x 0.20" at 2.38" (0.66 cm x 0.51 cm at 6.05 cm)</p> <p>Hawkeye 1515VLHD: 1.0" x 0.75" at 5.0" ± 0.5" (2.54 cm x 1.90 cm at 12.7 cm ± 1.27 cm)</p>	<p>Hawkeye 1525HD: 0.87" x 0.67" at 2.5" (2.21 cm x 1.70 cm at 6.35 cm) 1.0" x 0.75" at 3.0" (2.54 cm x 1.90 cm at 7.62 cm) 1.11" x 0.85" at 3.5" (2.82 cm x 2.16 cm at 8.89 cm)</p> <p>Hawkeye 1525SHD: 0.50" x 0.38" at 3.0" (1.27 cm x 0.97 cm at 7.62 cm) 0.55" x 0.42" at 3.5" (1.40 cm x 1.14 cm at 8.89 cm) 0.60" x 0.46" at 4.0" (1.55 cm x 1.07 cm at 10.16 cm)</p> <p>Hawkeye 1525UHD: 0.24" x 0.18" at 2.13" (0.61 cm x 0.46 cm at 5.41 cm) 0.25" x 0.19" at 2.25" (0.64 cm x 0.48 cm at 5.71 cm) 0.26" x 0.20" at 2.38" (0.66 cm x 0.51 cm at 6.05 cm)</p>
Operating Distance ¹⁾	Depends on lens selection	<p>Hawkeye 1515MD: 4.0" ... 6.0" (10.16 cm ... 15.24 cm) Hawkeye 1515HD: 2.5" ... 3.5" (6.35 cm to 8.89 cm) Hawkeye 1515SHD: 3.0" ... 4.0" (7.62 cm ... 10.16 cm) Hawkeye 1515LHD: 2.13" ... 2.375" (5.50 cm ... 6.03 cm)</p>	<p>Hawkeye 1525HD: 2.5" ... 3.5" (6.35 cm ... 8.89 cm) Hawkeye 1525SHD: 3.0" ... 4.0" (7.62 cm ... 10.16 cm) Hawkeye 1525UHD: 2.125" ... 2.375" (5.50 cm ... 6.03 cm)</p>
Minimum Element Size	Depends on lens selection	<p>Hawkeye 1515MD: 1D: 0.006" (0.12 mm), 2D: 0.010" (0.25 mm) Hawkeye 1515HD: 1D: 0.003" (0.07 mm), 2D: 0.006" (0.15 mm) Hawkeye 1515SHD: 1D: 0.0015" (0.04 mm), 2D: 0.003" (0.07 mm) Hawkeye 1515VLHD: 1D: 0.0007" (0.02 mm), 2D: 0.0013" (0.03 mm)</p>	<p>Hawkeye 1525HD: 1D: 0.003" (0.07 mm), 2D: 0.006" (0.15 mm) Hawkeye 1525SHD: 1D: 0.0015" (0.04 mm), 2D: 0.003" (0.07 mm) Hawkeye 1525UHD: 1D: 0.0007" (0.02 mm), 2D: 0.0013" (0.03 mm)</p>

¹⁾ Working distance measured from last physical element to part.

****Important Pricing Discount Note**** Product discounts are applied based on the Product TYPE as indicated in the TYPE column of each price sheet.

Three (3) Product Types are defined as follows: P = PRODUCT Discount, VP= Vision/NER Product Discount, or A=Accessory level discount.

Refer to your Partner Agreement for the actual discount percentage by Product Type.

Hawkeye 1500 Readers

Part Number	Description	List Price	Type
FIS-HE15-0CS0	HAWKEYE 1510 DPM READER CS/C MOUNT LENS*	€ 2,495	P
FIS-HE15-1HD0	HAWKEYE 1515HD DPM READER ON AXIS LIGHT	€ 2,912	P
FIS-HE15-1LD0	HAWKEYE 1515LHD DPM READER ON AXIS LIGHT	€ 2,895	P
FIS-HE15-1MD0	HAWKEYE 1515MD DPM READER ON AXIS LIGHT	€ 2,895	P
FIS-HE15-1SD0	HAWKEYE 1515SHD DPM READER ON AXIS LIGHT	€ 2,895	P
FIS-HE15-1UD0	HAWKEYE 1515UHD DPM READER ON AXIS LIGHT	€ 2,895	P
FIS-HE15-2HD0	HAWKEYE 1525HD DPM READER DARK FIELD LIGHT	€ 2,895	P
FIS-HE15-2SD0	HAWKEYE 1525SHD DPM READER DARK FIELD LIGHT	€ 2,885	P
FIS-HE15-2UD0	HAWKEYE 1525UHD DPM READER DARK FIELD LIGHT	€ 2,895	P
FIS-E1515VLHD	HAWKEYE 1515VLHD VLNG-DEN BRIGHT FIELD READER	€ 2,895	P
FIS-E1515HDXL	HAWKEYE 1515HD WITHOUT LASER	€ 2,645	P

All HE 15XX readers come with base mount adaptor and serial cable standard. All that is needed is a power supply.

Hawkeye 1500 Verifiers

Part Number	Description	List Price	Type
FIS-HE15-1HV0	HAWKEYE 1515HD DPM VERIFIER ON AXIS LIGHT* ¹	€ 4,145	P
FIS-HE15-1LV0	HAWKEYE 1515LHD DPM VERIFIER ON AXIS LIGHT* ¹	€ 4,145	P
FIS-HE15-1MV0	HAWKEYE 1515MD DPM VERIFIER ON AXIS LIGHT* ¹	€ 4,145	P
FIS-HE15-1SV0	HAWKEYE 1515SHD DPM VERIFIER ON AXIS LIGHT* ¹	€ 4,145	P
FIS-HE15-1UV0	HAWKEYE 1515UHD DPM VERIFIER ON AXIS LIGHT* ¹	€ 4,145	P
FIS-HE15-2CV0	HAWKEYE 1510 DPM VERIFIER CS/C MOUNT LENS* ¹	€ 3,745	P
FIS-HE15-2HV0	HAWKEYE 1525HD DPM VERIFIER DARK FIELD LIGHT* ¹	€ 4,145	P
FIS-HE15-2SV0	HAWKEYE 1525SHD DPM VERIFIER DARK FIELD LIGHT* ¹	€ 4,145	P
FIS-HE15-2UV0	HAWKEYE 1525UHD DPM VERIFIER DARK FIELD LIGHT* ¹	€ 4,145	P

¹ Verifier versions support ISO 16022, ISO15416, Custom Verification, and AIM DPM – 1 – 2006

All HE 15XX readers come with base mount adaptor and serial cable standard. All that is needed is a power supply.

HawkEye 1500 Accessories

Part Number	Description	List Price	Type
98-AC00-OBM5	HAWKEYE 1500 BASE MOUNTING ADAPTER	€ 39	A
98-AC00-OEB0	HAWKEYE 1500 IO EXPANSION BOARD	€ 563	A
98-AC00-OEC5	HAWKEYE 1500 IP65 ENCLOSURE GLASS WINDOW	€ 1,296	A
98-AC00-OEC6	HAWKEYE 1500 IP65 ENCLOSURE PCARB WINDOW	€ 1,296	A
98-AC00-OPC6	HAWKEYE1500 PWR CABLE FLYING LEADS 2 METERS	€ 82	A
98-AC00-OSA0	3 COLOR LIGHT STACK CONNECTS TO HAWKEYE 1500	€ 429	A
98-AC00-OSC0	HAWKEYE 1500 SERIAL COMMUNICATIONS CABLE	€ 39	A
98-HESC010	CABLE, HAWKEYE 1500 SERIAL INTERFACE 10FT	€ 35	A
98-HEDSL	HAWKEYE 1500/1600 DEMO STAND W/LG SHAFT	€ 182	A
98-HE15-OPS0	HAWKEYE 1500 POWER SUPPLY 24V100-250V 50-60 HZ	€ 122	A
98-LG00-OXX0	HAWKEYE 1500 LIGHT - LED RING LIGHT 25.5MM MOUNT *	€ 429	A
98-LG14-OXX0	HAWKEYE 1500 LIGHT MOUNT - DF100 OR DF150 (HELTMA 1L-M) *	€ 273	A
98-LG15-OXX0	HAWKEYE 1500 LIGHT MOUNT- R100 RING (HELTMA 2L-M) *	€ 290	A
98-LG16-OXX0	HAWKEYE 1500 LIGHT MOUNT- R60 RING (HELTMA 3L-M)*	€ 247	A
98-LG17-OXX0	HAWKEYE 1500 LIGHT MOUNT-DOAL 50 (HELTMA 4L-M) *	€ 256	A
98-LG18-OXX0	HAWKEYE 1500 STROBE INTERFACE KIT *	€ 832	A
98-HEDS	HAWKEYE DEMO STAND	€ 182	A
98-HECONNPS	HAWKEYE 1500 POWER SUPPLY CONNECTOR	€ 17	A
98-HECONNIO	I/O CONNECTOR & GRND TAB KIT FOR HAWKEYE 1500	€ 30	A
98-HEBMA4	HAWKEYE 15 TO HAWKEYE 1515 BASE MOUNT ADAPTER	€ 65	A
98-99000561	DIN-RAIL MOUNTED EXT I/O TERMINAL BLOCK	€ 91	A
98-96601833	EXTERNAL I/O INTERFACE CABLE 25 FEET	€ 64	A
98-96601832	EXTERNAL I/O INTERFACE CABLE 15 FEET	€ 53	A
98-96601831	EXTERNAL I/O INTERFACE CABLE 10 FEET	€ 48	A
NER-011601504	HAWKEYE 1510 RED DF LIGHT - DF100 DARK FIELD, RED LED, 12V-C, MOLEX CON*	€ 458	A
NER-011605096	HAWKEYE 1510 RED RING LIGHT - R60 V2 RING, RED LED, 12V-C, MOLEX CON*	€ 319	A
NER-011604805	HAWKEYE 1510 RED RING LIGHT - R70-2 V2 RING, RED LED, 12V-C, MOLEX CON*	€ 319	A
NER-011607006	HAWKEYE 1510 RED RING LIGHT - R100-2 V2 RING, RED LED, 12V-C, MOLEX CON*	€ 414	A
NER-011200913	HAWKEYE 1510 RED DOAL LIGHT - DOAL-50 V2, RED LED-D,12V-C,MOLEX CON *	€ 500	A
NER-011200935	HAWKEYE 1510 BLUE DOAL LIGHT - DOAL-50 V2, BLUE LED-D,12V-C, MOLEX CON	€ 512	A
NER-011023801	HAWKEYE 1515 - BRIGHTFIELD, BLUE LED-F, 10V-C	€ 500	A
98-UA10-OCC0	UID CALIBRATION TEST CARD	€ 129	A
FIS-HEDPMVER-A0	HE DPM VERIFIER LICENSE ONLY **	€ 1,250	A

Note: * HAWKEYE 1510 lights are powered by the 1510 camera via molex connector.

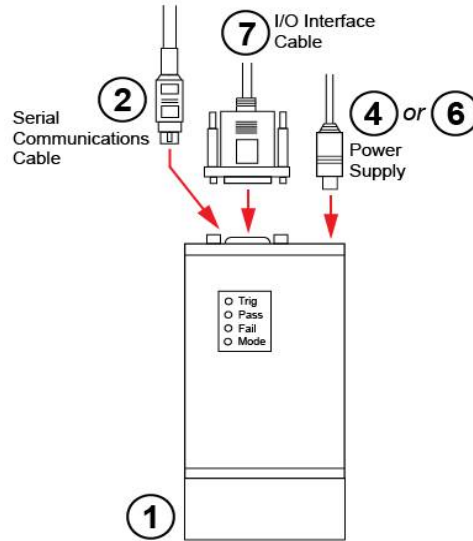
** HE DPM Verifier License Only product is an optional license to enable DPM verification on existing HE1500 cameras.

Customers who purchase this license are required to provide the camera MAC address to receive a license key.

Tech Reference HE1500

Stand Alone RS232

A single reader is connected directly to the host.



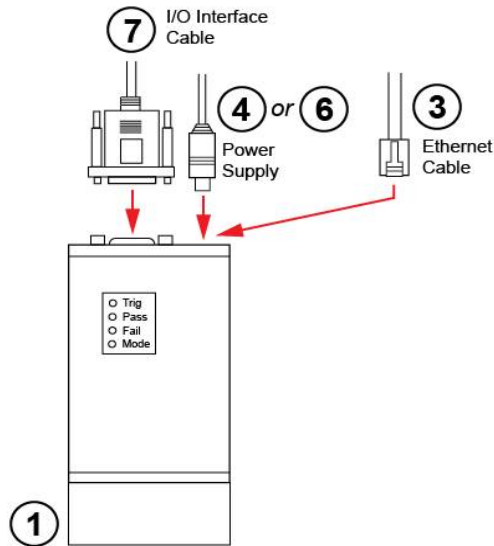
System Matrix

Product	Part Number	Description	List Price
(1) HE1500	FIS-HE15-XXXX	HawkEye 1500 Series Reader or Verifier	Varies
(2) Comm Cable	98-AC00-0SC0	Serial Communications Cable, PS/2-to-9-pin	€ 39
(4) Power Supply	98-HE15-0PS0	Power Supply with International Plug Adapters (24V, 100-250V, 50-60 HZ)	€ 122
(6) Power Cable	98-AC00-0PC6	Power Cable, Flying Leads, 2 meters	€ 82
(7) I/O Cable	98-96601833	I/O Interface Cable, 25 feet	€ 64
	98-96601832	I/O Interface Cable, 15 feet	€ 53
	98-96601831	I/O Interface Cable, 10 feet	€ 48



Stand Alone Ethernet

A single reader is connected directly to the host via Ethernet.



System Matrix

Product	Part Number	Description	List Price
(1) HE1500	FIS-HE15-XXXX	HawkEye 1500 Series Reader or Verifier	Varies
(3) Ethernet Cable	User-Supplied	CAT5 Ethernet Cable	N/A
(4) Power Supply	98-HE15-0PS0	Power Supply with International Plug Adapters (24V, 100-250V, 50-60 HZ)	€ 122
(6) Power Cable	98-AC00-0PC6	Power Cable, Flying Leads, 2 meters	€ 82
	98-96601833	I/O Interface Cable, 25 feet	€ 64
(7) I/O Cable	98-96601832	I/O Interface Cable, 15 feet	€ 53
	98-96601831	I/O Interface Cable, 10 feet	€ 48

MICROSCAN.

UID DPM and LDP Verifiers



Type	UID Compliance Verifier, LDP
Image field	25.4 mm x 19.05 mm (1.0" x 0.75")
Verifiable markings	ISO 16022, ISO 15415, AS9132 Laser, AS9132 Dot Pen, AS9132 Electro-Chemical Etch, MIL-STD-130M Enhanced ISO 15415, AIM DPM-1-2006 Quality Guideline
Greatest possible thickness of the label/nameplate	0.125" (3.175 mm)
Depth of focus	0.125" (3.175 mm)
Smallest element size	0.0075" (0.19 mm)
Current requirement	AC adapter for 100 ... 250 VAC, 0.05 A 50/60 Hz input; 24 V with 500 mA output
Networking options	Ethernet for standard operation, RS232 baudrates from 600 bit/s to 115.3 Kbits/s for maintenance purposes
Operating temperature	0 ... 40 °C (32 ... 104 °F)
Lighting	Embedded Class I LED Red LED: 640 nm Diffuse perpendicular (90°) light
Laser target beam	Class II laser to IEC 60825-1
Humidity	< 95 %, non-condensing
Electrical/mechanical safety	EN 61010-1: 2002
Laser safety	EN 60825-1 1993 Amendment 2 2001-01
Image field	25.4 mm x 19.05 mm (1.0" x 0.75")

Type	UID Compliance Verifier, DPM
Image field	30.2 mm x 21.8 mm (1.19" x 0.86")
Test functions	ISO 16022, ISO 15415, AS9132 Laser, AS9132 Dot Pen, AS9132 Electro-Chemical Etch, MIL-STD-130M Enhanced ISO 15415, AIM DPM-1-2006 Quality Guideline
Greatest possible thickness of the label/nameplate	0.125" (3.175 mm)
Minimum size of elements	0.0075" (0.19 mm)
Performance requirements	AC adapter 100 to 240 VAC, 1.6 A 50/60 Hz input, 24 V with 1.5 A output
Interfaces	Ethernet for standard operation, RS232 baudrates from 600 baud to 115.2 Kbaud for maintenance purposes
Operating temperature	0 ... 40 °C (32 ... 104 °F)
Lighting	AIM DPM-1-2006 Quality Guideline Embedded Class I LED, Red LED: 640 nm Light settings: Diffuse Perpendicular 90 Degrees (90) Dome (D) Medium Angle 45 Degrees (45Q) Low Angle 30 Degrees (30Q, 30T and 30S)
Humidity	Up to 95 %, non-condensing
Electrical/mechanical safety	EN 61010-1: 2002
Laser safety	EN 60825-1 1993 Amendment 2 2001-01

****Important Pricing Discount Note**** Product discounts are applied based on the Product TYPE as indicated in the TYPE column of each price sheet. Three (3) Product Types are defined as follows: P = PRODUCT Discount, VP= Vision/NER Product Discount, or A=Accessory level discount. Refer to your Partner Agreement for the actual discount percentage by Product Type.

UID Verifiers

Part Number	Description	List Price	Type
FIS-UD10-0DP1	UID COMPLIANCE VERIFIER, DPM	€ 7,995	P
FIS-UD20-0CK1	UID COMPLIANCE VERIFIER, LDP	€ 7,360	P

UID Verifier Accessories

Part Number	Description	List Price	Type
98-UA10-0CC0	UID CALIBRATION REPLACEMENT CARD	€ 129	A
98-UD10-1DP0	UID DPM SYSTEM AIM UPGRADE *	€ 3,800	A
98-UD20-1CK0	UID COMPLIANCE KIT AIM UPGRADE ***	€ 2,500	A
98-UA10-0ST0	UID DPM STAND, ACCESSORY ITEM	€ 863	A

Notes:

* UID DPM System AIM Upgrade is a return to factory upgrade. Customer requests an RMA# and returns unit after placing PO for 98-UD10-1DP0.

*** UID Compliance Kit AIM Upgrade is a return to factory upgrade. Customer requests an RMA# and returns unit after placing PO for 98-UD20-1CK0.

MICROSCAN.

Auto ID Handhelds

HS-1 Handheld Linear CCD Barcode Reader (1D Codes)

Read Ranges *

Narrow Bar

5 mil (.127 mm)	1.5" to 3.5" (35 to 89 mm)
10 mil (.254 mm)	1.8" to 7.6" (46 to 193 mm)
20 mil (.508 mm)	3.0" to 13.8" (76 to 351 mm)



****Important Pricing Discount Note**** Product discounts are applied based on the Product TYPE as indicated in the TYPE column of each price sheet. Three (3) Product Types are defined as follows: P = PRODUCT Discount, VP= Vision/NER Product Discount, or A=Accessory level discount. Refer to your Partner Agreement for the actual discount percentage by Product Type.

Reader

Part Number	Description	List Price	Type
98-000106-01	Handheld, Linear Barcode Reader, USB	€ 150	P

Note: HS-1 reader is offered at the accessory level discount only.

Accessories

Part Number	Description	List Price	Type
98-000108-01	HS-1 Mounting Stand	€ 40	A
98-000111-01	RS232 Kit	€ 40	A
98-000112-01	USB Virtual Com Cable	€ 40	A

HS-2D Handheld 2D CCD Barcode Reader (2D and 1D Codes)

Read Ranges

High Resolution

5 mil (.127 mm)	1.75" to 2.50" (44 to 64 mm)
10 mil (.254 mm)	1.75" to 4.75" (44 to 103 mm)
20 mil (.508 mm)	1.75" to 6.50" (44 to 165 mm)



Reader

Part Number	Description	List Price	Type
98-000107-01	Handheld, 2D Barcode Reader, 6' USB Cable	€ 350	P

Note: HS-2D reader is offered at the accessory level discount only.

Accessories

Part Number	Description	List Price	Type
98-000074-04	Kit, RS-232 Interface, 8 ft coiled cable, USA Power Supply	€ 70	A
98-000074-05	Kit, RS-232 Interface, 8 ft coiled cable, Europe Power Supply	€ 100	A
98-000074-06	Kit, RS-232 Interface, 8 ft coiled cable, UK Power Supply	€ 110	A
98-000153-01	Handheld Stand	€ 149	A

MICROSCAN.

Auto ID 2D Handhelds

MS-Q Rugged Handled Imagers

Read Ranges

High Resolution	
5 mil (.127 mm)	1.75" to 2.50" (44 to 64 mm)
10 mil (.254 mm)	1.75" to 4.75" (44 to 103 mm)
20 mil (.508 mm)	1.75" to 6.50" (44 to 165 mm)
Standard Resolution	
7.5 mil (.191 mm)	3.2" to 3.9" (81 to 99 mm)
15 mil (.381 mm)	3.0" to 9.0" (76 to 229 mm)
20 mil (.508 mm)	3.0" to 11.5" (76 to 292 mm)



****Important Pricing Discount Note**** Product discounts are applied based on the Product TYPE as indicated in the TYPE column of each price sheet.

Three (3) Product Types are defined as follows: P = PRODUCT Discount, VP= Vision/NER Product Discount, or A=Accessory level discount.

Refer to your Partner Agreement for the actual discount percentage by Product Type.

MS-Q Basic Rugged Handled Imager

Part Number	Description	List Price	Type
FIS-6150-0028G	Handled, Imager, Standard Res., USB 6ft., H2 *	€ 695	P
FIS-6150-0029G	Handled, Imager, Standard Res., Batch/Battery, BH2 *	€ 795	P
FIS-6150-0031G	Handled, Imager, Standard Res., Bluetooth, BH2 *	€ 895	P

MS-Q Quadrus Rugged Handled Imager

Part Number	Description	List Price	Type
FIS-6100-0047G	Handled, Imager, High Resolution, Quadrus Software, USB 6ft, H2 *	€ 1,460	P
FIS-6100-0048G	Handled, Imager, High Res., Quadrus Software, Batch/Battery, BH2 *	€ 1,610	P
FIS-6100-0050G	Handled, Imager, High Res., Quadrus Software, Bluetooth, BH2 *	€ 1,760	P
FIS-6100-0051G	Handled, Imager, Standard Res., Quadrus Software, USB 6ft., H2 *	€ 1,460	P
FIS-6100-0052G	Handled, Imager, Standard Res., Quadrus Software, Batch/Battery, BH2 *	€ 1,610	P
FIS-6100-0054G	Handled, Imager, Standard Res., Quadrus Software, Bluetooth, BH2 *	€ 1,760	P
FIS-6100-0053G	Handled, Imager, Standard Res., Quadrus SW, Image Lock, H2 *	€ 1,660	P

* = Includes 6ft USB Cable; PS/2 and RS-232 are optional and the appropriate cable must be purchased separately.

H2 = Battery Blank Handle

BH2 – 3900 mAH Battery Option

MICROSCAN.

HawkEye 40T and 45T Series Handled Imagers



Type	HawkEye 40T/45T
Focal Point (min/max)	50 mm (1.9") / 375 mm (14.8")
Field of View Near: at 50 mm (1.9") distance	25 mm x 15 mm (0.98" x 0.6")
Field of View Far: at 375 mm (14.8") distance	150 mm x 90 mm (5.9" x 3.5")
Decoding Capability	1D: Code 39, Code 128, Codebar, Code 93, I2of5, UPC/EAN, UICP-E, UICP Supplementals 2D: Data Matrix, PDF417, QR Code
Minimum element size 1D Barcode/2D Matrix Code	0.114 mm bar thickness (0.0045")/0.128 mm element size (0.005")

HawkEye 40T Handled Imagers

Part Number	Description	List Price	Type
FIS-HT40-1G	HAWKEYE40T, HANDHELD, SR, USB CABLE, H2 HANDLE*	€ 1,445	P
FIS-HT40-6G	HAWKEYE40T, HANDHELD, SR, W/BLUETOOTH & USB CABEL, BH2 HANDLE	€ 1,795	P
FIS-HT40-8G	HAWKEYE40T, HANDHELD, SR, BH2 HANDLE & USB CABLE	€ 1,645	P

* = Includes 6ft USB Cable; PS/2 and RS-232 are optional and the appropriate cable must be purchased separately.

H2 = Battery Blank Handle

BH2 – 3900 mAH Battery Option



Type	HawkEye 40T/45T
Focal Point (min/max)	50 mm (1.9") / 375 mm (14.8")
Field of View Near: at 50 mm (1.9") distance	25 mm x 15 mm (0.98" x 0.6")
Field of View Far: at 375 mm (14.8") distance	150 mm x 90 mm (5.9" x 3.5")
Decoding Capability	1D: Code 39, Code 128, Codebar, Code 93, I2of5, UICP/EAN, UICP-E, UICP Supplementals 2D: Data Matrix, PDF417, QR Code
Minimum element size 1D Barcode/2D Matrix Code	0.114 mm bar thickness (0.0045")/0.128 mm element size (0.005")

HawkEye 45T Series Handled Imagers

Part Number	Description	List Price	Type
FIS-HT45-1G	HAWKEYE45T, HANDHELD, SR, USB CABLE, H2 HANDLE*	€ 1,695	P
FIS-HT45-6G	HAWKEYE45T, HANDHELD, SR, W/BLUETOOTH & USB CABLE, BH2 HANDLE	€ 2,055	P
FIS-HT45-8G	HAWKEYE45T, HANDHELD, SR, BH2 HANDLE & USB CABLE	€ 1,898	P

* = Includes 6ft USB Cable; PS/2 and RS-232 are optional and the appropriate cable must be purchased separately.

H2 = Battery Blank Handle

BH2 – 3900 mAH Battery Option

MS-Q RS-232 Kits (Serial Interface)

Part Number	Description	List Price	Type
98-000074-04	Kit, RS-232 Interface, 8 ft coiled cable, USA Power Supply	€ 70	A
98-000074-05	Kit, RS-232 Interface, 8 ft coiled cable, Europe Power Supply	€ 100	A
98-000074-06	Kit, RS-232 Interface, 8 ft coiled cable, UK Power Supply	€ 110	A

Prices and Specifications Subject to Change

€100 Minimum Order

Tel: 425.226.5700
Fax: 425.226.8250

07-000001-01, Rev AC
www.microscan.com

Confidential Document

Page 63 of 109

MS-Q Battery Charger Kit

Part Number	Description	List Price	Type
H1 Handle Chargers			
98-000075-04	Kit, 2-Bay Battery Charger for H1 Batteries, USA Power Supply	€ 150	A
98-000075-05	Kit, 2-Bay Battery Charger for H1 Batteries, Europe Power Supply	€ 175	A
98-000075-06	Kit, 2-Bay Battery Charger for H1 Batteries, UK Power Supply	€ 200	A
BH2 Battery Handle Cable Chargers			
98-000075-07	Kit, Cable Battery Charger for BH2, USA Power Supply	€ 75	A
98-000075-08	Kit, Cable Battery Charger for BH2, Europe Power Supply	€ 100	A
98-000075-09	Kit, Cable Battery Charger for BH2, UK Power Supply	€ 125	A
BH2 Battery Handle Charging Bay			
98-000075-10	Kit, Charging Bay for BH2, USA Power Supply	€ 100	A
98-000075-11	Kit, Charging Bay for BH2, Europe Power Supply	€ 125	A
98-000075-12	Kit, Charging Bay for BH2, UK Power Supply	€ 150	A
98-000075-13	Kit, Charging Bay for BH2, No Power Supply	€ 75	A

MS-Q Bluetooth Modem Kits

Part Number	Description	List Price	Type
98-000076-11	Kit, Bluetooth Modem, RS-232, USA Power Supply	€ 450	A
98-000076-12	Kit, Bluetooth Modem, RS-232, Europe Power Supply	€ 475	A
98-000076-13	Kit, Bluetooth Modem, RS-232, UK Power Supply	€ 495	A
98-000076-14	Kit, Bluetooth Modem, USB	€ 400	A

Power Supplies

Part Number	Description	List Price	Type
20-000335-02	Power Supply, Wall Mount, 90-264 VAC, +5VDC, 1.5A, USA plug	€ 30	A
20-000336-02	Power Supply, Wall Mount, 90-264 VAC, +5VDC, 1.5A, Europe plug	€ 65	A
20-000337-02	Power Supply, Wall Mount, 200-240 VAC, +5VDC, 2.4A, UK plug	€ 80	A

Miscellaneous Accessories

Part Number	Description	List Price	Type
FIS-0210-0001G	MS-Connect 210, Connectivity Box with Display	€ 495	A
FIS-0210-0002G	MS-Connect 210, Connectivity Box	€ 325	A
FIS-0210-0003G	MS-Connect 210, Connectivity Box with Display and Ethernet	€ 655	A
FIS-0210-0004G	MS-Connect 210, Connectivity Box with Ethernet	€ 495	A
98-000013-04	Relay Module, 120VAC, 3 Amp Output, Series 70, Type SM, for MS-Connect 210 and MS-8	€ 47	A
98-000013-05	Relay Module, 240VAC, 3 Amp Output, Series 70, Type SM for MS-Connect 210 and MS-8	€ 47	A
98-000013-06	Relay Module, 24VDC, 3 Amp Output, Series 70, Type SM for MS-Connect 210 and MS-89	€ 47	A
61-000066-02	Cable, MS-Q to MS-Connect 210, 15 ft	€ 80	A
12-000215-06	Rugged Handle, Battery Blank (H2)	€ 99	A
12-000215-08	Rugged Handle, 3900mAH Battery (BH2)	€ 249	A
60-000008-02	Cable, 8' coiled, RS-232 interface	€ 45	A
60-000009-02	Cable, 6' straight, USB interface	€ 45	A
60-000031-01	Cable, 12' straight, USB interface	€ 70	A
60-000018-02	Cable, 6' coiled, PS/2 interface	€ 60	A

Software / Manuals

Part Number	Description	List Price	Type
37-000001-01	TOOLS CD, User's Manuals, ESP Software *	€ 30	A

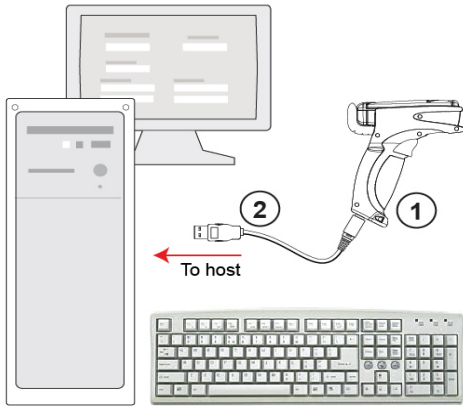
* 1 free per order, 37-000001-02 (CD ROM only) can be ordered for free if larger quantity is required.

MICROSCAN.

Tech Reference MS-Q

USB

The reader communicates to the host using USB.



System Matrix (MS-Q Quadrus)

Product	Reference No.	Description	List Price
(1) MS-Q Quadrus	FIS-6100-XXXXG	Handled, Imager, High Resolution, Quadrus Software, USB, (PS/2, RS-232) *	€ 1,445
(2) USB Cable		Included in MS-Q kit	
User's Manuals, ESP Software	37-000001-01	TOOLS CD, User's Manuals, ESP Software **	€ 30

*Note: Kit includes MS-Q Imager and USB Cable.

**1 free per order.

System Matrix (MS-Q Basic)

Product	Reference No.	Description	List Price
(1) MS-Q Basic	FIS-6150-XXXXG	Handled, Imager, Standard Resolution, USB, (PS/2, RS-232) *	€ 595
(2) USB Cable		Included in MS-Q kit	
User's Manuals, ESP Software	37-000001-01	TOOLS CD, User's Manuals, ESP Software **	€ 30

*Note: Kit includes MS-Q Imager and USB Cable, PS/2 and RS-232 are optional and the appropriate cable must be purchased separately.

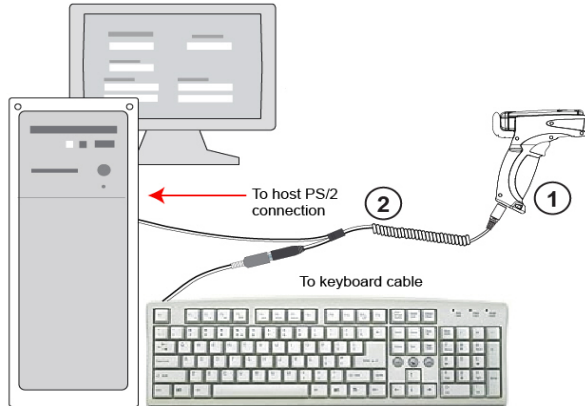
**1 free per order.

MICROSCAN.

Tech Reference MS-Q

PS/2

The reader communicates to the host using PS/2.



System Matrix (MS-Q Quadrus)

Product	Reference No.	Description	List Price
(1) MS-Q Quadrus	FIS-6100-XXXXG	Handled, Imager, High Resolution, Quadrus Software, PS/2	€ 1,445
(2) Keyboard Wedge cable	60-000018-02	Cable, 6' coiled, PS/2 interface	€ 60
User's Manuals, ESP Software	37-000001-01	TOOLS CD, User's Manuals, ESP Software *	€ 30

*1 free per order.

System Matrix (MS-Q Basic)

Product	Reference No.	Description	List Price
(1) MS-Q Basic	FIS-6150-XXXXG	Handled, Imager, Standard Resolution, PS/2	€ 695
(2) Keyboard Wedge cable	60-000018-02	Cable, 6' coiled, PS/2 interface	€ 60
User's Manuals, ESP Software	37-000001-01	TOOLS CD, User's Manuals, ESP Software *	€ 30

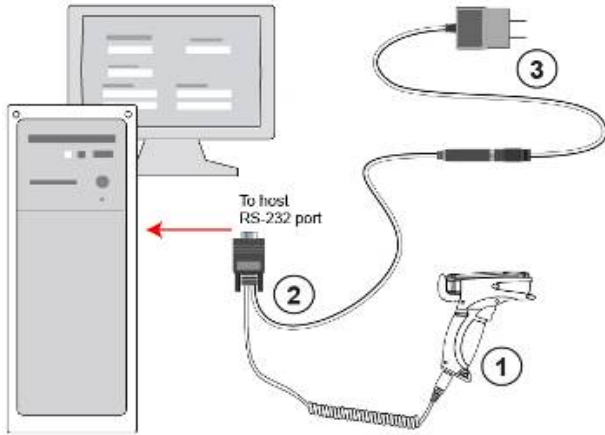
*1 free per order.

MICROSCAN.

Tech Reference MS-Q

RS-232

The reader communicates to the host using RS-232.



System Matrix (MS-Q Quadrus)

Product	Reference No.	Description	List Price
(1) MS-Q Quadrus	FIS-6100-XXXXG	Handled, Imager, High Resolution, Quadrus Software, USB, (PS/2, RS-232) ***	€ 1,445
(2) RS-232 Kit	98-000074-xx	Kit, RS-232 Interface, 8 ft coiled cable, Power Supply *	€ 70
(3) Power Supply	See Note	Power Supply, Wall Mount, 90-264 VAC, +5VDC, 1.5A *	
User's Manuals, ESP Software	37-000001-01	TOOLS CD, User's Manuals, ESP Software **	€ 30

* RS-232 Kit includes power supply. There are three power supply options which have slight price differences.

**1 free per order.

*** To use the PS/2 option the appropriate cable must be purchased separately.

System Matrix (MS-Q Basic)

Product	Reference No.	Description	List Price
(1) MS-Q Basic	FIS-6150-XXXXG	Handled, Imager, Standard Resolution, USB, (PS/2, RS-232) ***	€ 695
(2) RS-232 Kit	98-000074-xx	Kit, RS-232 Interface, 8 ft coiled cable, Power Supply *	€ 70
(3) Power Supply	See Note	Power Supply, Wall Mount, 90-264 VAC, +5VDC, 1.5A, *	
User's Manuals, ESP Software	37-000001-01	TOOLS CD, User's Manuals, ESP Software **	€ 30

* RS-232 Kit includes power supply. There are three power supply options which have slight price differences.

**1 free per order.

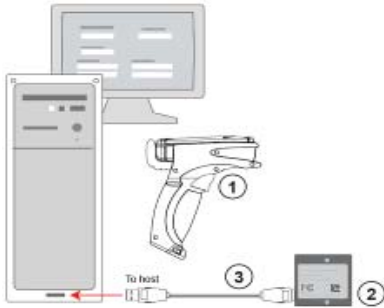
*** To use the PS/2 option the appropriate cable must be purchased separately.

MICROSCAN.

Tech Reference MS-Q

Bluetooth

The reader communicates directly to the host using Bluetooth or using a RS-232/Bluetooth modem (shown).



System Matrix (MS-Q Quadrus)

Product	Reference No.	Description	List Price
(1) MS-Q Quadrus	FIS-6100-XXXXG	Handled, Imager, High Resolution, Quadrus Software, Bluetooth	€ 1,745
(2) Bluetooth Modem Kit	98-000076-xx	Kit, Bluetooth Modem (Serial Gateway), USA Power Supply *	€ 450
(3) RS-232 Cable	See Note	Cable, 8' coiled, RS-232 interface *	
(4) Power Supply (not shown)	See Note	Power Supply, Wall Mount, 90-264 VAC, +5VDC, 1.5A, USA plug *	
User's Manuals, ESP Software	37-000001-01	TOOLS CD, User's Manuals, ESP Software **	€ 30

*Bluetooth Modem Kit includes RS-232 cable and power supply. There are three power supply options which have slight price differences.

**1 free per order.

System Matrix (MS-Q Basic)

Product	Reference No.	Description	List Price
(1) MS-Q Basic	FIS-6150-XXXXG	Handled, Imager, Standard Resolution, Bluetooth	€ 995
(2) Bluetooth Modem Kit	98-000076-xx	Kit, Bluetooth Modem (Serial Gateway), USA Power Supply *	€ 450
(3) RS-232 Cable	See Note	Cable, 8' coiled, RS-232 interface *	
(4) Power Supply (not shown)	See Note	Power Supply, Wall Mount, 90-264 VAC, +5VDC, 1.5A, USA plug *	
User's Manuals, ESP Software	37-000001-01	TOOLS CD, User's Manuals, ESP Software **	€ 30

*Bluetooth Modem Kit includes RS-232 cable and power supply. There are three power supply options which have slight price differences.

**1 free per order.

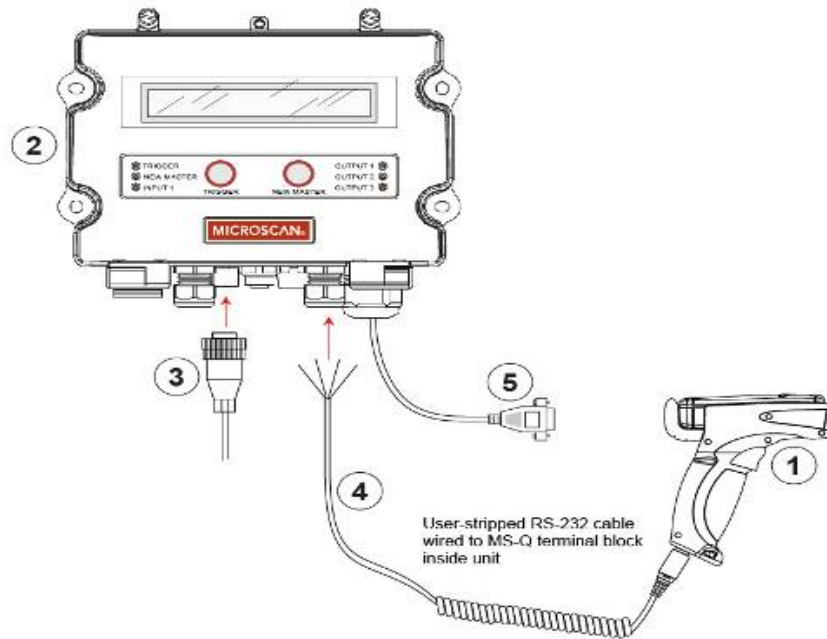
MICROSCAN.

Tech Reference MS-Q

Stand Alone

with MS-Connect 210

This is the basic setup for a single MS-Q wired to the MS-Connect 210.



System Matrix

Product	Reference No.	Description	List Price
(1) MS-Q Quadrus	FIS-6100-XXXXG	Handled, Imager, Quadrus Software	Varies
(2) MS-Connect 210	FIS-0210-000XG	Connectivity Box *	Varies
(3) Power Supply	97-100004-15	Power Supply, 90-264 VAC, 24VDC USA /Euro Plug	€ 125
(4) Reader Cable	61-000066-02	MS-Q to MS-Connect 210 coiled cable, 15 ft ¹	€ 80
(5) Host Cable	61-000105-01	Pre-stripped RS-232, 9-pin host cable **	€ 30
User's Manuals, ESP Software	37-000001-01	TOOLS CD, User's Manuals, ESP Software ***	€ 30

* See MS-Connect Series section for a complete listing of Accessories

** 1 free host cable is included with each MS-Connect 210

* 1 free per order, 37-000001-02 (CD ROM only) can be ordered for free if larger quantity is required.

MICROSCAN.

Auto ID DPM Handhelds

Mobile Hawk High Performance DPM Handheld Reader

Read Ranges

High Resolution

3.3 mil (.127 mm)	.25" to .75" (44 to 64 mm)
10 mil (.254 mm)	.50" to 1.50" (44 to 103 mm)
20 mil (.508 mm)	.50" to 3.50" (44 to 165 mm)



****Important Pricing Discount Note**** Product discounts are applied based on the Product TYPE as indicated in the TYPE column of each price sheet.

Three (3) Product Types are defined as follows: P = PRODUCT Discount, VP= Vision/NER Product Discount, or A=Accessory level discount.

Refer to your Partner Agreement for the actual discount percentage by Product Type.

Reader

Part Number	Description	List Price	Type
FIS-6170-0001G	Mobile Hawk DPM Reader, 12 ft USB cable	€ 1,590	P

RS-232 Kits (Serial Interface)

Part Number	Description	List Price	Type
98-000074-04	Kit, RS-232 Interface, 8 ft coiled cable, USA Power Supply	€ 70	A
98-000074-05	Kit, RS-232 Interface, 8 ft coiled cable, Europe Power Supply	€ 100	A
98-000074-06	Kit, RS-232 Interface, 8 ft coiled cable, UK Power Supply	€ 110	A
60-000008-02	Cable, 8' coiled, RS-232 interface	€ 45	A
60-000009-02	Cable, 6' straight, USB interface	€ 45	A
60-000031-01	Cable, 12' straight, USB interface	€ 70	A
98-000153-01	Mobile Hawk Presentation Stand	€ 124	A

NOTE: PS2 cable is not supported by the Mobile Hawk product.

MICROSCAN.

Auto ID Software, Connectivity, and Accessories

MS-Connect Series



****Important Pricing Discount Note**** Product discounts are applied based on the Product TYPE as indicated in the TYPE column of each price sheet.

Three (3) Product Types are defined as follows: P = PRODUCT Discount, VP= Vision/NER Product Discount, or A=Accessory level discount.

Refer to your Partner Agreement for the actual discount percentage by Product Type.

MS-Connect 210 Options

Part Number	Description	List Price	Type
FIS-0210-0001G	MS-Connect 210, Connectivity Box with Display	€ 495	A
FIS-0210-0002G	MS-Connect 210, Connectivity Box	€ 325	A
FIS-0210-0003G	MS-Connect 210, Connectivity Box with Display and Ethernet	€ 655	A
FIS-0210-0004G	MS-Connect 210, Connectivity Box with Ethernet	€ 495	A

Accessories

Part Number	Description	List Price	Type
61-000066-02	Cable coiled, MS-Connect 210 to MS-Q, (must be stripped by user before wiring)	€ 80	A
61-000105-01	Pre-stripped to 9pin host cable, 6 ft	€ 30	A
61-000121-02	Cable, MS-820 to MS-Connect 210, 3 ft	€ 100	A
61-000122-01	Cable, To MS-Connect 210, Host RS-422/485 for Multidrop, 6 ft	€ 100	A
61-000123-01	Cable, To MS-Connect 210, Host/AUX RS-232, for Daisy Chain 210 to 210, 6 ft	€ 100	A
61-000124-01	Cable, Quadrus EZ with onboard Ethernet to MS-Connect 210, Ethernet, 6 ft	€ 100	A
61-000127-02	Cable, MS-9 to MS-Connect 210, 6 ft	€ 100	A
61-000128-01	Cable, external Micro-Change to internal Ethernet module, MS-Connect 210, 8 in.	€ 50	A
FIS-0001-0035G	IC-332, Connects 5V Reader to IB-131	€ 150	A
61-000136-01	Ethernet Cross over Cable, CAT5, 10'	€ 30	A
98-000013-04	Pluggable Relay Module, 120VAC, Series 70, Type SM	€ 47	A
98-000013-05	Pluggable Relay Module, 240VAC, Series 70, Type SM	€ 47	A
98-000013-06	Pluggable Relay Module, 24VDC, Series 70, Type SM	€ 47	A
61-000158-01	QX Cordset, M12 12pin Plug & M12 12pin Socket to MS-Connect 210 (RS-232), 2m	€ 160	A
61-000158-02	QX Cordset, M12 12pin Plug & M12 12pin Socket to MS-Connect 210 (RS-422), 2m	€ 160	A

Power Supply

Part Number	Description	List Price	Type
97-100004-15	Power Supply, 90-264 VAC, 24VDC, USA/Euro Plug	€ 125	A

Mounting and Connectors

Part Number	Description	List Price	Type
98-000093-01	DIN Rail Mounting Kit	€ 45	A

Package Detector/Sensor

Part Number	Description	List Price	Type
99-000017-02	Photo Sensor, Visible, NPN, LIGHT ON	€ 175	A

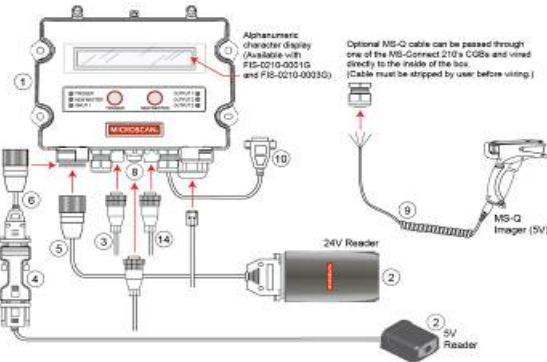
Software/Manuals

Part Number	Description	List Price	Type
37-000001-01	TOOLS CD, User's Manuals, ESP Software	€ 30	A
37-000003-01	TOOLS CD, EZ Trax Software	€ 500	A

Tech Reference MS-Connect 210

Stand Alone

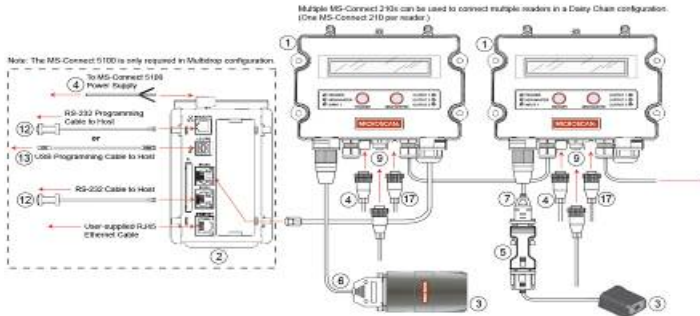
These are the setup options for one MS-Connect 210 and one 10-28V or 5V reader.



Product	Reference No.	Description	Price
(1) MS-Connect 210	FIS-0210-0001G	Connectivity Box with Display	€ 495
	FIS-0210-0002G	Connectivity Box	€ 325
	FIS-0210-0003G	Connectivity Box with Display and Ethernet	€ 655
	FIS-0210-0004G	Connectivity Box with Ethernet	€ 495
(2) Microscan Reader	FIS-XXXX-XXXXG	Varies	Varies
(3) Power Supply	97-100004-15	Power Supply, 90-264 VAC, 24VDC, USA/Euro Plug	€ 125
(4) IC-332 (5V Readers)	FIS-0001-0035G	Power Adapter, Connects 5V Reader to Interface	€ 150
(5) Reader Cable (10-28V Readers)	61-000122-01	Cable, To MS-Connect 210, Host RS-422/485 for Multidrop, 6 ft	€ 100
(6) Reader Cable (5V Readers and MS-9)	61-000127-02	Cable, 5V Reader or MS-9 to MS-Connect 210, 6 ft	€ 100
(7) Reader Cable (5V Readers and MS-9)	61-000139-01	Cable, To MS-Connect 210, Host RS-422/485 for Multidrop, 6 ft	€ 100
(8) Reader Cable (MS-820 only; not shown)	61-000121-02	Cable, MS-820 to MS-Connect 210, 3 ft	€ 100
(9) Internal Ethernet Cable (If applicable)	61-000128-01	Cable, Micro-Change to Ethernet module, MS-Connect 210, 8 in.	€ 50
(10) MS-Q Reader Cable (If applicable)	61-000066-01	Cable, MS-Connect 210 to MS-Q (must be stripped by user before wiring)	€ 80
(11) MS-Connect 210 Host Cable	61-000105-01	Pre-stripped to 9pin host cable, 6 ft	€ 30
(12) Pluggable Relay Module (If applicable; not shown)	98-000013-04	120VAC, Series 70, Type SM	€ 47
(13) Pluggable Relay Module (If applicable; not shown)	98-000013-05	240VAC, Series 70, Type SM	€ 47
(14) Pluggable Relay Module (If applicable; not shown)	98-000013-06	24VDC, Series 70, Type SM	€ 47
(15) Object Detector (If applicable)	99-000017-02	Photo sensor, Visible, NPN, Light On	€ 175
DIN Rail Mounting Kit	98-000093-01	Mounting kit for affixing the MS-Connect 210 to a DIN rail	€ 45

Tech Reference *MS-Connect 210*

Multidrop / Daisy Chain



Product	Reference No.	Description	Price
(1) MS-Connect 210	FIS-0210-0001G	Connectivity Box with Display	€ 495
	FIS-0210-0002G	Connectivity Box	€ 325
	FIS-0210-0003G	Connectivity Box with Display and Ethernet	€ 655
	FIS-0210-0004G	Connectivity Box with Ethernet	€ 495
(2) MS-Connect 5100	FIS-5100-0001G	Enhanced Multidrop Concentrator (required for Multidrop only)	€ 945
(3) Microscan Reader	FIS-XXXX-XXXXG	Varies	Varies
(4) Power Supply	97-100004-15	Power Supply, 90-264 VAC, 24VDC, USA/Euro Plug	€ 125
(5) IC-332	FIS-0001-0035G	Power Adapter, Connects 5V Reader to Interface	€ 150
(6) Reader Cable (10-28V)	61-000122-01	Cable, To MS-Connect 210, Host RS-422/485 for Multidrop, 6 ft Cable,	€ 100
(7) Reader Cable (5V Readers and MS-9)	61-000127-02	Cable, 5V Reader or MS-9 to MS-Connect 210, 6 ft	€ 100
(8) Reader Cable (MS-820 only; not shown)	61-000121-02	Cable, MS-820 to MS-Connect 210, 3 ft	€ 100
(9) Internal Ethernet Cable (If applicable)	61-000128-01	Cable, Micro-Change to Ethernet module, MS-Connect 210, 8 in.	€ 50
(10) MS-Q Reader Cable (If applicable; not shown)	61-000066-02	Cable, MS-Connect 210 to MS-Q (must be stripped by user before wiring)	€ 80
(11) MS-Connect 210 Host Cable (not shown)	61-000105-01	Pre-stripped to 9pin host cable, 6 ft	€ 30
(12) MS-Connect 5100 Host Cable (required for Multidrop only)	61-000108-01	Cable, RJ-12 to 9-pin D Sub, 6 Feet	€ 45
(13) MS-Connect 5100 Programming Cable (required for Multidrop only)	61-000112-01	Cable, USB Type A Male to Mini B Male, 10 ft	€ 30
(14) Pluggable Relay Module (If applicable; not shown)	98-000013-04	120VAC, Series 70, Type SM	€ 47
(15) Pluggable Relay Module (If applicable; not shown)	98-000013-05	240VAC, Series 70, Type SM	€ 47
(16) Pluggable Relay Module (If applicable; not shown)	98-000013-06	24VDC, Series 70, Type SM	€ 47
(17) Object Detector (If applicable)	99-000017-02	Photo sensor, Visible, NPN, Light On	€ 175
DIN Rail Mounting Kit	98-000093-01	Mounting kit for affixing the MS-Connect 210 to a DIN rail	€ 45
MS-Connect 5100 Options			
Part Number	Description	List Price	Type
FIS-5100-0001G	MS-Connect 5100, Enhanced Multidrop Concentrator	€ 945	A

Accessories

Part Number	Description	List Price	Type
FIS-0001-0035G	IC-332, Connects MINI to IB-131	€ 150	A
61-000108-01	Cable, RJ-12 to 9-pin D Sub, 6 Feet	€ 45	A
61-000112-01	Cable, USB Type A Male to Mini B Male, 10 ft	€ 30	A
61-000113-01	Cable, Concentrator to IB-131/IB-150 RJ45 to 25-pin D Sub, 10 ft	€ 60	A
61-100030-03	Cable, Multidrop, 10 feet IB-131/IB-150 to IB-131/IB-150 ¹	€ 30	A
99-000018-01	IB-131 Interface Box for MS-3, MS4, MS-9, MS-820 and Quadrus MINI	€ 150	A
98-000040-02	IB-150 and Reader cable, 6 ft for MS-860, MS-890 and Quadrus EZ	€ 175	A
61-000161-01	QX Cordset, M12 12pin Plug to MS-Connect 5100, 3m	€ 40	A

¹ Gender changer may be needed for IB-131 to IB-150; one gender changer included with 61-000113-01.

Power Supply

Part Number	Description	List Price	Type
97-100004-15	Power Supply, 90-264 VAC, 24VDC, USA/Euro Plug	€ 125	A

Mounting

Part Number	Description	List Price	Type
10-000251-01	Mounting Bracket	€ 45	A

Package Detector/Sensor

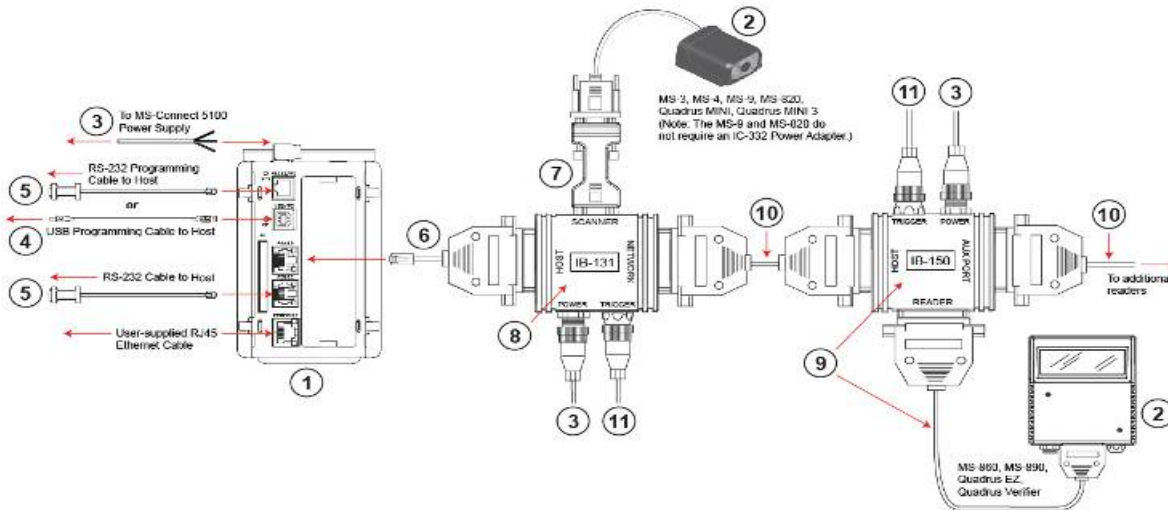
Part Number	Description	List Price	Type
99-000017-01	Photo Sensor, Visible, NPN, DARK ON	€ 175	A
99-000017-02	Photo Sensor, Visible, NPN, LIGHT ON	€ 175	A

Software/Manuals

Part Number	Description	List Price	Type
37-000001-01	TOOLS CD, User's Manuals, ESP Software	€ 30	A
37-000003-01	EZ Trax Software	€ 500	A

Tech Reference *MS-Connect 5100*

Multidrop



Product	Reference No.	Description	List Price
(1) MS-Connect 5100*	FIS-5100-0001G	Enhanced Multidrop Concentrator	€ 945
(2) Microscan Reader	FIS-XXXX-XXXXG	Varies	Varies
(3) Power Supply	97-100004-15	1-Power supply per MS-Connect 5100 unit and Readers	€ 125
(4) USB Programming Cable,	61-000112-01	Cable, USB Type A Male to Mini B Male, 10 ft	€ 30
(5) Prog/Comm. Cable, RS-232	61-000108-01	Cable, RJ-12 to 9-pin D Sub, 6 Feet	€ 45
(6) Concentrator Cable	61-000113-01	Cable, Concentrator to IB-131/IB-150 RJ45 to 25-pin D Sub, 10 ft	€ 60
(7) IC-332	FIS-0001-0035G	Adapter for 5-Volt readers, MS-3, MS-4 and Quadrus MINI	€ 150
(8) IB-131 Interface Box	99-000018-01	IB-131 Interface Box for MS-3, MS4, MS-9, MS-820 and Quadrus MINI	€ 150
(9) Kit, IB-150 Interface Box	98-000040-01	IB-150 and Reader cable, 6 ft for MS-860, MS-880 and Quadrus EZ	€ 175
(10) Multidrop Trunk Cable	61-100030-03	Cable, multidrop, 10 feet IB-131/IB-150 to IB-131/IB-150 ¹	€ 30
(11) Object Detector applicable)	(if 99-000017-01	Photo sensor, Visible, NPN, Dark On	€ 175
Mounting Bracket (not shown)	10-000251-01	Mounting bracket for affixing the unit to flat surfaces	€ 45

¹ Gender changer may be needed for IB-131 to IB-150; one gender changer included with 61-000113-01.

See QX-830 section for Multidrop configurations *Discounted like FIS

MICROSCAN.

Auto ID Product Accessories

Protocol

Part Number	Description	List Price	Type
20-500013-01	DeviceNet Protocol Box ¹	€ 595	A
98-000056-02	Kit, Protocol Card, Ethernet TCP/IP, MS-890	€ 595	A

¹ Part is not RoHS compliant.

Monitor (110 VAC only)

Part Number	Description	List Price	Type
98-000096-01	Kit, Monitor 7" TFT LCD and Video I/O Cable, 10 feet	€ 645	A

Right Angle Mirror Kits

Part Number	Description	List Price	Type
98-200026-02	Right Angle Down Mirror Kit, MS-820	€ 75	A
98-200036-01	Right Angle Down Mirror Kit, MS-9	€ 75	A
98-000036-01	Right Angle Up Mirror Kit, Quadruz EZ	€ 75	A
98-000088-01	Right Angle Up Mirror Kit, Small Imagers	€ 50	A
98-000058-02	Kit, Extended Right Angle Mirror, MS-3	€ 50	A

Package Detector/Sensor

Part Number	Description	List Price	Type
99-000017-01	Photo Sensor, Visible, NPN, Dark On	€ 175	A
99-000017-02	Photo Sensor, Visible, NPN, Light On	€ 175	A
99-000019-01	Photo Sensor, Visible, NPN, Light On, 5VDC	€ 175	A
99-000004-01	MS-890, Standard Diffuse, 120 inch Range, 4-pin Plug	€ 225	A
99-000004-02	MS-890, Standard Diffuse, 120 inch Range, Unterminated	€ 225	A
99-000020-02	QX Photo sensor, M12 4pin Plug, NPN, Dark On, 2m	€ 80	A
99-000020-01	QX Photo sensor, M12 4pin Plug, NPN, Dark Off, 2m	€ 80	A

Cable / Connectivity

Part Number	Description	List Price	Type
61-000010-02	Cable, Communication, DB-9 Socket to DB-9 Socket, 6 ft	€ 30	A
61-000011-02	Cable, MS-820 to IB-131 (also use for MS-3, 4, 9, 710 and MINI Extension)	€ 30	A
61-000033-02	Cable, Video I/O, 10 ft	€ 30	A
61-000034-02	Cable, Communication, 9-pin D-sub Socket to 25-pin D-sub Socket	€ 30	A
61-100029-03	Cable, IB to IB, 1 ft	€ 30	A
61-300026-03	Cable, Communication, DB-25 Plug to DB-9 Socket, 6 ft	€ 30	A
61-000095-01	ASSY, CABLE ADAPTER, IB-150 TO IB-131	€ 30	A
61-000032-02	Cable, Quadruz EZ to IB-150	€ 30	A
99-000008-02	Interface module, IB-150	€ 150	A
61-000151-01	Cable, MINI USB, I/O Breakout, Flying Leads, 3ft	€ 30	A
61-000154-01	Daisy Chain/Comm Adapter	€ 75	A

Connector Kits

Part Number	Description	List Price	Type
20-610024-01	Trigger Connector for IB-131, MS-820/860/880/9, 4-pin Plug	€ 30	A
20-610020-01	Power Connector for IB-131, MS-820/860/880/9, 3-pin Socket	€ 30	A

Power Supplies

Part Number	Description	List Price	Type
97-000002-01	Power Supply, 90-264 VAC, +5 VDC, USA/Euro Plug	€ 75	A
97-100004-15	Power Supply, 90-264 VAC, +24 VDC, RoHS Compliant, US and Euro Plug	€ 125	A
97-000003-01	QX Power Supply, M12 12 pin Socket, 1.3m	€ 80	A
97-000003-02	QX Power Supply, M12 12 pin Plug, 1.3m	€ 80	A

Connectivity Box

Part Number	Description	List Price	Type
FIS-0210-0001G	MS-Connect 210, Connectivity Box with Display	€ 495	A
FIS-0210-0002G	MS-Connect 210, Connectivity Box	€ 325	A
FIS-0210-0003G	MS-Connect 210, Connectivity Box with Display and Ethernet	€ 655	A
FIS-0210-0004G	MS-Connect 210, Connectivity Box with Ethernet	€ 495	A
61-000122-01	Cable, 19 pin to 25 pin, Host RS-422/485, 6 ft (10-28v Readers)	€ 100	A
61-000123-01	Cable, 19 pin to 25 pin, Host RS-232, AUX RS-232, 6 ft (10-28V Readers)	€ 100	A
61-000124-01	Cable, 19 pin to 25 pin, Ethernet, 6 ft (Quadrus EZ Only)	€ 100	A
61-000127-02	Cable, 19 pin to 15 pin, 6 ft (5V Readers and MS-9)	€ 100	A
61-000121-02	Cable, 19 pin to 15 pin, 3 ft (MS-820 only)	€ 100	A
61-000066-02	Cable, MS-Connect 210 to MS-Q (must be stripped by user before wiring)	€ 80	A
61-000105-01	Pre-stripped to 9pin host cable, 6 ft	€ 30	A
98-000013-04	Pluggable Relay Module, 120VAC, Series 70, Type SM	€ 47	A
98-000013-05	Pluggable Relay Module, 240VAC, Series 70, Type SM	€ 47	A
98-000013-06	Pluggable Relay Module, 24VDC, Series 70, Type SM	€ 47	A
98-000093-01	DIN Rail Mounting Kit	€ 45	A
61-000158-01	QX Cordset, M12 12pin Plug & M12 12pin Socket to MS-Connect 210 (RS-232), 2m	€ 160	A
61-000158-02	QX Cordset, M12 12pin Plug & M12 12pin Socket to MS-Connect 210 (RS-422), 2m	€ 160	A

Interface Boxes

Part Number	Description	List Price	Type
98-000014-02	IB-131 Kit (includes cable to MS-820)	€ 175	A
99-000018-01	IB-131 Interface Box (used with MS-3/IC-332 and MS-9)	€ 150	A
98-000040-02	IB-150 Kit, Quadrus EZ	€ 175	A
99-000009-02	Interconnectivity, IB-151, RS-232 - Ethernet TCP/IP	€ 100	A
98-000039-02	IB-152 Kit, DB25 Plug Terminal Block, DB25 Gender Changer	€ 125	A
FIS-0001-0035G	IC-332, Connects 5V Reader to IB-131	€ 150	A
98-000051-01	IC-3USB, USB Conversion Kit	€ 75	A
FIS-0001-0030G	IB-3PC, Interface to PC	€ 100	A
99-420003-04	Wiring Box Base, IB-890/FIS-0880-0002 *	€ 300	A
98-000103-01	QX-1 Interface Box	€ 120	A

*Part is not RoHS compliant.

Mounting Components

Part Number	Description	List Price	Type
	Mounting Arm Kits		
98-000016-01	Mounting Arm/Adapter Kit, 820/860, 6 inch	€ 90	A
98-000017-01	Mounting Arm/Adapter Kit, IB-890, 6 inch	€ 90	A
98-000018-01	Mounting Arm/Adapter Kit, MS-890, 6 inch	€ 90	A
98-000019-01	Mounting Arm/Adapter Kit, MS-9, 6 inch	€ 90	A
98-000020-01	Mounting Arm/Adapter Kit, Quadrus EZ/Quadrus Verifier, 6 inch	€ 90	A
98-000048-01	Mounting Arm/Adapter Kit, MS-3, MS-4 and Quadrus MINI, 4 inch	€ 70	A
	Extension Arm Kits		
98-000037-01	Extension Kit, MS-890, MS-860, MS-820, MS-9, IB-890, 6 inch	€ 55	A
98-000053-01	Extension Kit, MS-3, MS-4 and Quadrus MINI, 4 inch	€ 35	A
98-000053-02	3-inch (75.6 mm) extension; MS-3, MS-4 and Quadrus MINI, 3"	€ 35	A
	Base Plates		
98-000046-01	Kit, Base Plate	€ 40	A
98-000054-01	Kit, Mounting Stand Base Plate, Small	€ 30	A
	Standard Mounting Plates		
98-000092-01	MS-9 Standard Flat Mounting Plate Kit	€ 20	A
98-500006-01	MS-820, MS-860 Standard Flat Mounting Plate Kit *	€ 20	A
98-200037-01	MS-890 Standard Flat Mounting Plate Kit	€ 40	A
98-000060-01	Kit, Bracket, Side Mount, MS-3	€ 20	A
98-000059-01	Kit, Bracket, Angle Mount, MS-3	€ 20	A
98-000057-01	Kit, Bracket, Through Hole Mount, MS-3	€ 20	A

* Through-hole mounting plate; not for use with mounting arm.

Software / Manuals

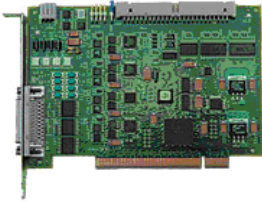
Part Number	Description	List Price	Type
37-000001-01	TOOLS CD, User's Manuals, ESP Software	€ 30	A
37-000003-01	EZ Trax Software	€ 500	A

Protocol Box/Card

Part Number	Description	List Price	Type
20-500013-01	DeviceNet Protocol Box	€ 595	A
98-000056-02	Kit, Protocol Card, Ethernet TCP/IP, MS-890	€ 595	A

MICROSCAN

Machine Vision Systems** Visionscape PC Board and Software**



Frame Grabbers			
The Visionscape frame grabbers are used to capture images from a variety of machine vision cameras into the host PC memory. All Visionscape frame grabber boards offer on-board dedicated digital I/O for triggering, strobe control and general purpose I/O.			
Board Selector Guide		x740 Series Analog Frame Grabber	x800 Series Digital CameraLink Frame Grabber
		<ul style="list-style-type: none"> for applications that require up to four progressive scan analog cameras that require higher resolutions or higher speeds that require simultaneous image acquisition on up to four channels that require different camera resolutions 	<ul style="list-style-type: none"> for applications that require high-speed and/or high-resolution area scan cameras that require line scan cameras
Camera Interface Options	Various frame grabbers and plugged in daughter cards support a wide variety of camera interface options.	<ul style="list-style-type: none"> Progressive scan and interlaced analog cameras Four independent channels High resolution up to 2K x 2K Supports special features such as electronic shuttered, frame reset, or partial scan cameras 	<ul style="list-style-type: none"> One digital CameraLink Base level channel Supports of Area Scan and Line Scan High-speed and high-resolution image acquisition
System Components	Every Visionscape 0xxx frame grabber package contains the following components: <ul style="list-style-type: none"> Frame grabber board Connection kit for external I/O board Consists of 50-pin ribbon cable and I/O filter board with bezel Internal power cable to connect board to PC internal 12V power supply; required to supply 12V power to analog cameras Camera splitter adapter for up to four cameras (only in 0300 & 0740 board packages) Visionscape Software (latest version) and complete documentation on CD 		
PC Requirements	<ul style="list-style-type: none"> Pentium 4, 2.4 GHz or higher with a minimum of 256 MB memory VGA display adapter - 64K or true color Microsoft Windows 2000 SP4 or Microsoft Windows XP SP2 or later One open +5 V/32 bit PCI 2.2 compliant expansion slot (half length) <p>Important note for 0800 board: The additional connector fingers of the board's Universal PCI extend beyond PCI standard connector. This does not affect the board's functioning.</p> <ul style="list-style-type: none"> Alternative for 0800 board only: One open +3.3 V/64 bit Universal PCI 2.3 compliant expansion slot (half length) - The usage of the Universal PCI bus allows the 0800 board a faster data transfer to the host PC's CPU and memory. If I/O is required: one open slot for internal I/O 		

****Important Pricing Discount Note**** Product discounts are applied based on the Product TYPE as indicated in the TYPE column of each price sheet.

Three (3) Product Types are defined as follows: P = PRODUCT Discount, VP= Vision/NER Product Discount, or A=Accessory level discount.

Refer to your Partner Agreement for the actual discount percentage by Product Type.

Visionscape PC Boards and Software

Part Number	Description	List Price	Type
GMV-VS74-0FP0	VISIONSCAPE 0740 PCI BOARD, INCLUDES VISIONSCAPE SOFTWARE	€ 5,280	VP
GMV-VS81-0FP0	VISIONSCAPE 0800 PCI BOARD, INCLUDES VISIONSCAPE SOFTWARE	€ 5,280	VP

Visionscape Board Accessories

Part Number	Description	List Price	Type
98-S00-0SW1	VISIONSCAPE SOFTWARE V3.7 CD	€ 32	A
GMV-S00-1KF0	INTELLIFIND PARALLEL PORT DONGLE	€ 863	A
GMV-S00-1KS0	VISIONSCAPE PARALLEL PORT DONGLE	€ 3,036	A
GMV-S00-2KF0	INTELLIFIND USB DONGLE - ADDS INTELLIFIND TOOL FOR VISIONSCAPE BOARDS	€ 863	A
GMV-S00-2KS0	VISIONSCAPE 3.7 USB DONGLE - REQ'RD FOR OFFLINE PROGRAMMING W VS3.7	€ 3,036	A

Visionscape GigE Solution



Rapid Application Development

Up to 8 Microscan GigE Cameras
Networked VS-1 Smart Cameras

Flexible IO

PC Based discrete IO
Strobe and Trigger at camera

Out of Box Experience

Evaluation and Off-Line Programming is license free

Platforms and Customization

XP and Vista
Microsoft Visual Studio 6 and .NET



****Important Pricing Discount Note**** Product discounts are applied based on the Product TYPE as indicated in the TYPE column of each price sheet.

Three (3) Product Types are defined as follows: P = PRODUCT Discount, VP= Vision/NER Product Discount, or A=Accessory level discount.

Refer to your Partner Agreement for the actual discount percentage by Product Type.

Visionscape Software

Part Number	Description	List Price	Type
GMV-VGL0-0DD0	Visionscape GigE License	€ 2,085	VP
GMV-VGL0-1DD0	Visionscape GigE License with Intellifind	€ 2,415	VP
GMV-VGL1-1DD0	Visionscape GigE License with Intellifind + 1 Third Party GigE Cameras	€ 3,040	VP
GMV-VGL2-1DD0	Visionscape GigE License with Intellifind + 2 Third Party GigE Cameras	€ 3,665	VP
GMV-VGL4-1DD0	Visionscape GigE License with Intellifind + 4 Third Party GigE Cameras	€ 4,915	VP
GMV-VGL8-1DD0	Visionscape GigE License with Intellifind + 8 Third Party GigE Camera	€ 7,415	VP

GigE Cameras

Part Number	Description	List Price	Type
98-000113-01	Visionscape GigE Camera - WVGA Mono CMOS (CMGC03 - 752 x 480 pixels)	€ 1,000	A
98-000114-01	Visionscape GigE Camera - WVGA Color CMOS (CMGC03C - 752 x 480 pixels)	€ 1,000	A
98-000115-01	Visionscape GigE Camera - VGA Mono CCD (CMG03 - 656 x 494 pixels)	€ 1,125	A
98-000116-01	Visionscape GigE Camera - VGA Color CCD (CMG03C - 656 x 494 pixels)	€ 1,125	A
98-000141-01	Visionscape GigE Camera - VGA Mono CCD - 1/2 in sensor (CMG04 - 656 x 494 pixels)	€ 1,335	A
98-000117-01	Visionscape GigE Camera - 0.8MP XGA Mono CCD (CMG08 - 1032 x 776 pixels)	€ 1,335	A
98-000118-01	Visionscape GigE Camera - 1.3MP SXGA Mono CCD (CMG13 - 1392 x 1040 pixels)	€ 1,870	A
98-000191-01	Visionscape GigE Camera - SXGA Mono CCD - 2/3 ins. Sensor (CMG14 - 1392 x 1040 pixels)	€ 3,040	A
98-000119-01	Visionscape GigE Camera - 2MP UXGA Mono CCD (CMG20 - 1624 x 1236 pixels)	€ 2,165	A
98-000189-01	Visionscape GigE Camera - 2MP UXGA Color CCD (CMG20c - 1624 x 1236 pixels)	€ 2,165	A
98-000120-01	Visionscape GigE Camera - 5MP QSXGA Mono CCD (CMG50 - 2487 x 2050 pixels)	€ 3,710	A
98-000190-01	Visionscape GigE Camera - 5MP QSXGA Color CCD (CMG50c - 2487 x 2050 pixels)	€ 3,710	A
98-000121-01	Visionscape GigE Camera - VGA Mono CCD - Power over Ethernet (CMG03-P 656 x 494 pixels)	€ 1,250	A

Accessories

Part Number	Description	List Price	Type
98-000130-01	PCIe DIO Card 16in/16out Isolated w cable and terminal (Current Sinking -NPN)	€ 480	A
98-000142-01	PCIe DIO Card 16in/16out Isolated w cable and terminal (Current Sourcing -PNP)	€ 545	A
98-000140-01	Single Port GigE Network Interface Card PCIe	€ 85	A
98-000132-01	Dual Port GigE Network Interface Card PCIe	€ 265	A
98-000131-01	GigE 5 Port Switch with Jumbo Packet Support	€ 85	A
98-000138-01	Visionscape GigE Camera Power Supply 24v 100-250v 50-60 Hz	€ 80	A
98-000126-01	Visionscape GigE Camera Strobe/Trigger M8-4 to Pigtail 5m	€ 65	A
98-000129-01	Visionscape GigE Camera Power Cable M8-3 to Pigtail 5m	€ 45	A
98-000133-01	CAT6 Ethernet Cable Jack Screws to RJ45 High Flex 2 m	€ 55	A
98-000134-01	CAT6 Ethernet Cable Jack Screws to RJ45 High Flex 5 m	€ 70	A
98-000124-01	GigE 4 Port Switch - Power over Ethernet (PoE) Injection	€ 580	A
98-000125-01	GigE Power Midspan Power Injector - 2 inputs & 2 outputs	€ 330	A
98-000139-01	Visionscape GigE Demo Kit - SW Lic, VGA CCD Cmra, P/S, Trig Cble, Ethnt Cble, Lens	€ 3,210	A
98-000199-01	Visionscape GigE Demo Kit - SW Lic, No Camera, P/S, Trig Cble, Ethnt Cble, Lens	€ 2,655	A

MICROSCAN.

VS-1 Smart Camera

Model	VS-1 Smart Camera 1610TS - VGA without Intellifind
Model	VS-1 Smart Camera 1610TIS - VGA with Intellifind
Model	VS-1 Smart Camera 1610TH - XGA without Intellifind
Model	VS-1 Smart Camera 1610TIH - XGA with Intellifind
Memory	128M System and 32M Flash
Imaging	CCD, Progressive Scan, Full Frame and Partial Scan
Frame Rate	60 fps at VGA, 30 fps at XGA
Resolution	648x494 VGA, 1024 x 768 XGA



****Important Pricing Discount Note**** Product discounts are applied based on the Product TYPE as indicated in the TYPE column of each price sheet. Three (3) Product Types are defined as follows: P = PRODUCT Discount, VP= Vision/NER Product Discount, or A=Accessory level discount. Refer to your Partner Agreement for the actual discount percentage by Product Type.

VS-1 Smart Camera

Part Number	Description	List Price	Type
GMV-0HT16-0CM1G	SMARTCAM VS-1 1610TS STD RES INCLUDES VISIONSCAPE - NO INTELLIFIND	€ 3,325	VP
GMV-0HF16-0CM1G	SMARTCAM VS-1 1610TIS STD RES INCLUDES VISIONSCAPE & INTELLIFIND	€ 3,740	VP
GMV-1HT16-0CM1G	SMARTCAM VS-1 1610TH HIGHRES NO INTELLIFIND	€ 4,575	VP
GMV-1HF16-0CM1G	SMARTCAM VS-1 1610TIH HR & INTELLIFIND	€ 4,990	VP
GMV-2HF16-0SK0G	STARTER KIT, WITH VS-1 HE1610TIH, LENSES, P/S, RING LIGHT, CABLES, & DEMO STAND	€ 6,290	VP

VS-1 Smart Camera Accessories

Part Number	Description	List Price	Type
98-HT00-0CD2	VS-1 SERIAL COMM CABLE M12-8 - DB9 2M	€ 130	A
98-HT00-0CE0	VS-1 CABLE – ETHERNET HAWKEYE M12 TO RJ45 10M	€ 95	A
98-HT00-0CE2	VS-1 CABLE – ETHERNET HAWKEYE M12 TO RJ45 2M	€ 61	A
98-HT00-0CL5	VS-1 LIGHTING CABLE M5 TO PIGTAIL 5M	€ 65	A
98-HT00-0CM1	VS-1 CAMERA MOUNT ADAPTER M6 & 1/4 19	€ 61	A
98-HT00-0CM2	VS-1 MOUNT ADAPTER BACK COMPATIBLE TO HE1600 - EXTRA RIDGID MOUNT	€ 160	A
98-HEDSL	HAWKEYE 1500/1600 DEMO STAND W/LG SHAFT	€ 182	A
98-HT00-0CP0	VS-1 POWER + IO M12-8 TO PIGTAIL 10M	€ 117	A
98-HT00-0CS0	VS-1 SERIAL+SECIO M12-8 - PIGTAIL 10M	€ 117	A
98-HT00-0LD1	DOAL 50 LIGHT W VS-1 DIRECT CONNECT -	€ 590	A
98-HT00-0LF1	NER DF100 LIGHT W VS-1 DIRECT CONNECT	€ 529	A
98-HT00-0LM1	VS-1 MOUNT FOR NER DOAL & DF100 LIGHT	€ 434	A
98-HT00-0LR1	NER R60 LIGHT W VS-1 DIRECT CONNECT -	€ 373	A
98-HT00-0PS0	VS-1 POWER SUPPLY KIT UNIVERSAL AC TO M12	€ 199	A
98-HT00-0TA1	VS-1 IP67 VS100 GLASS LENS PROTECTION TUBE W/ADAPTER	€ 375	A
98-HT00-0TA2	VS-1 IP67 VS100 NON-GLASS LENS PROTECTION TUBE W/ADAPTER	€ 375	A
98-HT00-0LP1G	VS-1 DIRECT CONNECT PHARMA LIGHT WHITE DARK FIELD STROBE 1.5 x 2 IN. FOV	€ 695	A

Prices and Specifications Subject to Change

€100 Minimum Order

Tel: 425.226.5700
Fax: 425.226.8250

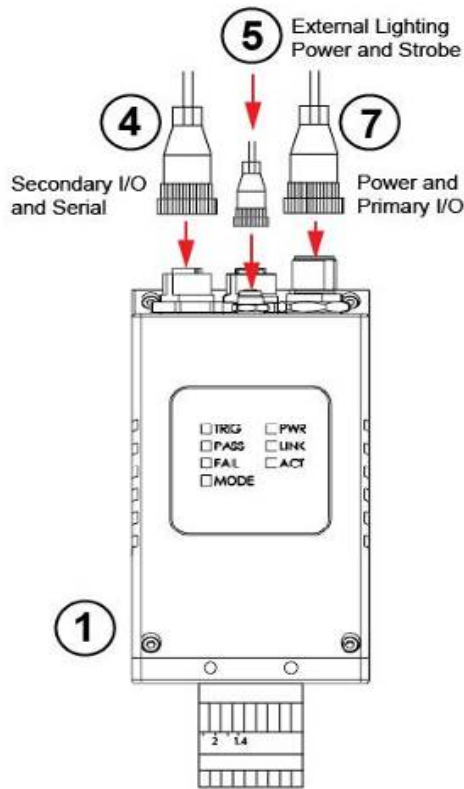
07-000001-01, Rev AC
www.microscan.com

Confidential Document

Page 80 of 109

Stand Alone RS232

A single reader is connected directly to the host.



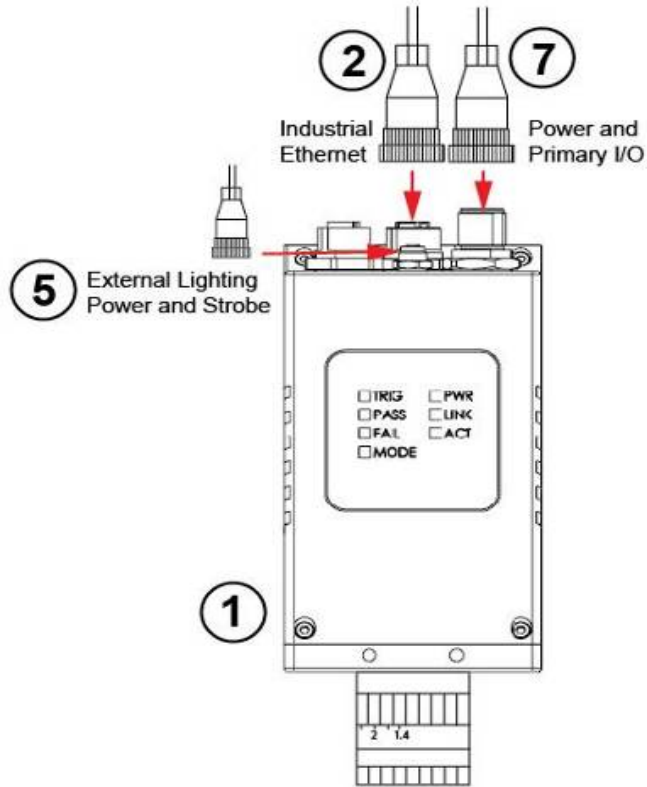
System Matrix

Product	Part Number	Description	List Price
(1) VS-1	GMV-XHX16-0CM0G	VS-1 Smart Camera	Varies
(3) Comm Cable	98-HT00-0CD2	Serial Communication Cable, M12-to-DB9, 2 meters	€ 130
(4) I/O Cable	98-HT00-0CS0	Secondary I/O and Serial Cable, M12-to-Pigtail, 10 meters	€ 117
(5) Lighting Cable	98-HT00-0CL5	Lighting Cable, M5-to-Pigtail, 5 meters	€ 65
(6) Power Supply	98-HT00-0PS0	PowerSupply Kit, Universal AC-to-M12	€ 199
(7) Power Cable	98-HT00-0CP0	Power and Primary I/O Cable, M12-to-Pigtail, 10 meters	€ 117

Tech Reference *Visionscape SC*

Stand Alone Ethernet

A single reader is connected directly to the host via Ethernet.



System Matrix

Product	Part Number	Description	List Price
(1) VS-1	GMV-XHX16-0CM0G	VS-1 Smart Camera	Varies
(2) Ethernet Cable	98-HT00-0CE0	Industrial Ethernet Cable, M12-to-RJ45, 10 meters	€ 95
	98-HT00-0CE2	Industrial Ethernet Cable, M12-to-RJ45, 2 meters	€ 61
(4) I/O Cable	98-HT00-0CS0	Secondary I/O and Serial Cable, M12-to-Pigtail, 10 meters	€ 117
(5) Lighting Cable	98-HT00-0CL5	Lighting Cable, M5-to-Pigtail, 5 meters	€ 65
(6) Power Supply	98-HT00-0PS0	PowerSupply Kit, Universal AC-to-M12	€ 199
(7) Power Cable	98-HT00-0CP0	Power and Primary I/O Cable, M12-to-Pigtail, 10 meters	€ 117

MICROSCAN.

Machine Vision Accessories*



****Important Pricing Discount Note**** Product discounts are applied based on the Product TYPE as indicated in the TYPE column of each price sheet.

Three (3) Product Types are defined as follows: P = PRODUCT Discount, VP= Vision/NER Product Discount, or A=Accessory level discount.

Refer to your Partner Agreement for the actual discount percentage by Product Type.

Machine Vision Hardware Accessories

Part Number	Description	List Price	Type
98-A1203701	MINI OPTO I/O BOARD W/PLUG&HOOD	€ 429	A
98-97700071	FIBER OPTIC LIGHT GUIDE 1" X 6' LG	€ 846	A
98-97700061	OUTPUT MODULE G4	€ 209	A
98-VS00-1SM0	G4 INPUT MODULE WITH SWITCH	€ 52	A
98-VS00-2SM0	G4 OUTPUT MODULE WITH SWITCH	€ 52	A
98-VS08-0EC0	ENCODER CABLE FOR LINE SCAN SYNC	€ 128	A
98-VS10-0SM0	INTERNAL PC 10-PT I/O & STROBE CNTRL BOARD	€ 429	A
98-VS16-1SM0	G4 INPUT MODULE 2.5-16V DCM	€ 35	A
98-VS24-0SM0	EXTERNAL I/O AND STROBE CNTRL BOARD KIT - 24 POINT	€ 954	A
98-VS28-1SM0	G4 INPUT MODULE 2.5-28VDC (1MS/1.5MS RESP)	€ 35	A
98-VS28-2SM0	G4 OUTPUT MODULE 24-280V AC	€ 35	A
98-VS32-1SM0	G4 INPUT MODULE 10 - 32V DC	€ 35	A
98-VS60-2SM0	G4 OUTPUT MODULE 5-60V DC	€ 35	A
98-001901251	G4 INPUT MODULE 180-280 VAC (2MS/20MS)	€ 42	A
98-001901256	G4 OUTPUT MODULE OPTO 0-100 VDC	€ 42	A
98-001904091	CAL TARGET FOV (1.87 TO 3.0MM)	€ 997	A
98-001904092	CAL TARGET FOV (2.80 TO 4.50MM)	€ 997	A
98-001904093	CAL TARGET FOV (4.20 TO 6.75MM)	€ 997	A
98-001904094	CAL TARGET FOV (6.34 TO 10.2MM)	€ 997	A
98-001904095	CAL TARGET FOV (9.33 TO 15.0MM)	€ 997	A
98-001904096	CAL TARGET FOV (14.0 TO 22.5MM)	€ 997	A
98-001904097	CAL TARGET FOV (20.5 TO 33.0MM)	€ 997	A
98-001904098	CAL TARGET FOV (47.3 TO 76.1MM)	€ 997	A
98-001904099	CAL TARGET FOV (63.1 TO 101MM)	€ 997	A
98-001904100	CAL TARGET FOV (94.7 TO 152MM)	€ 997	A
98-001904101	CAL TARGET FOV (158 TO 254MM)	€ 997	A
98-001904175	CAL TARGET FOV 30.8 TO 49.5MM	€ 997	A

Machine Vision Camera Accessories

Part Number	Description	List Price	Type
98-030161702	CBL,DIR BRKOUT TO 4 CAM D-SUB,6FT	€ 369	A
98-030161701	CBL,DIR BRKOUT TO 4 CAM D-SUB,18"	€ 342	A
98-030161700	CBL,DIR BRKOUT TO 4 CAM D-SUB 8"	€ 342	A
98-030161600	CBL,DIR BRKOUT TO 2 CAM D-SUB 8"	€ 269	A
98-A1206395	CAMERALINK SIGNAL CABLE 5 METER	€ 343	A
98-A1201502	CAMERA VIDEO & POWER CABLE	€ 434	A
98-VS01-0CX0	ANALOG CAMERA A33A VGA PROGRESSIVE SCAN	€ 701	A
98-VS03-1XC0	HI-RES CAM VIDEO & PWR CBL - 10FT / 3M (FOR 98-VS01-0CX0 AND 98-VS31-0CX0)	€ 239	A
98-VS07-1XC0	HI-RES CAM VIDEO & PWR CBL - 25FT / 7.5M (FOR 98-VS01-0CX0 AND 98-VS31-0CX0)	€ 265	A
98-VS15-1XC0	HI-RES CAM VIDEO & PWR CBL - 50FT / 15M (FOR 98-VS01-0CX0 AND 98-VS31-0CX0)	€ 308	A
98-VS31-0CX0	ANALOG CAMERA A152A SXGA PROGRESSIVE SCAN	€ 1,569	A

Machine Vision Optical Accessories

Part Number	Description	List Price	Type
98-92800471	5MM EXTENSION TUBE FOR C-MOUNT LENSES	€ 26	A
98-CO206	LENS EXTENSION TUBE SET 0.5, 1, 5, 10, 20, 40MM	€ 104	A
98-92800571	LENS 8MM F/1.4-16, FT 25.5MM P 0.5MM, 2/3" C-MNT	€ 282	A
98-92800572	LENS 12MM F/1.8-16, FT 25.5MM P 0.5MM, 2/3" C-MNT	€ 282	A
98-92800573	LENS 16MM F/1.4-16, FT 25.5MM P 0.5MM, 2/3" C-MNT	€ 282	A
98-92800574	LENS 25MM F/1.6-16, FT 25.5MM P 0.5MM, 2/3" C-MNT	€ 282	A
98-92800575	LENS 35MM F/2.1-22, FT 25.5MM P 0.5MM, 2/3" C-MNT	€ 282	A
98-92800576	LENS 50MM F/2.8-22, FT 25.5MM P 0.5MM, 2/3" C-MNT	€ 282	A
98-92800577	LENS 75MM F/3.9-32, FT 25.5MM P 0.5MM, 2/3" C-MNT	€ 282	A
98-92800311	SKYLIGHT FILTER 25.5MM THREAD	€ 52	A
98-92800311	LENS,SKYLIGHT UV FILTER 25.5MM	€ 52	A
98-92800371	POLARIZING FILTER 25.5MM THREAD	€ 69	A
98-92800372	LENS, FILTER POLARIZING 27.0MM P0.4	€ 69	A
NER-92700592	STROBE SOURCE X-400 1201-3600 PPM	€ 3,313	A

Prices and Specifications Subject to Change

€100 Minimum Order

Tel: 425.226.5700
Fax: 425.226.8250

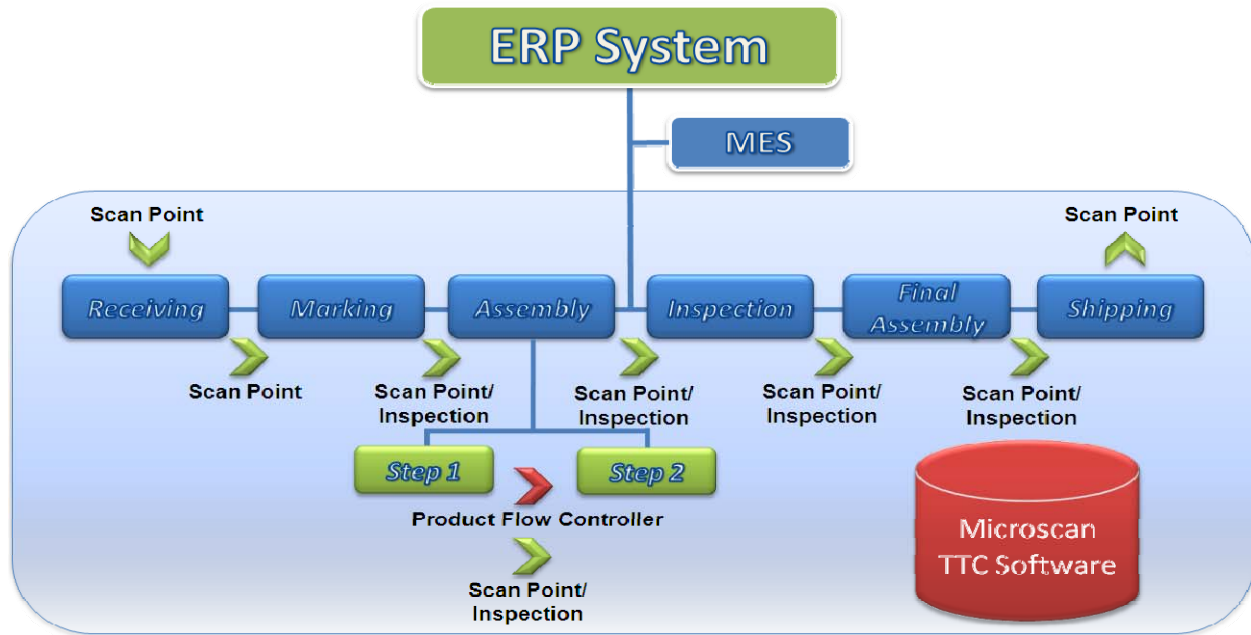
07-00001-01, Rev AC
www.microscan.com

Confidential Document

Page 83 of 109

MICROSCAN.

Track Trace and Control Solutions Factory Monitoring and Traceability Software



****Important Pricing Discount Note**** Product discounts are applied based on the Product TYPE as indicated in the TYPE column of each price sheet. Three (3) Product Types are defined as follows: P = PRODUCT Discount, VP= Vision/NER Product Discount, or A=Accessory level discount. Refer to your Partner Agreement for the actual discount percentage by Product Type.

Demo Kits

Part Number	Description	List Price	Type
37-000006-01	Track, Trace and Control Software w/ 10 Scan Points, CD	€ 9,995	A
37-000006-02	Track, Trace and Control Software, 10 Additional Scan Points	€ 995	A

Electronic Product Flow Controller



Demo Kits

Part Number	Description	List Price	Type
98-000151-01	Product Flow Controller	€ 1,995	A
61-000180-01	Cable, Product Flow Controller to MS-3, MINI	€ 65	A
61-000181-01	Cable, Product Flow Controller to QX Products	€ 75	A

MICROSCAN.

Machine Vision Industry Solutions*

*EZ Match**



EZ MATCH COLOR

Narrow bar-width		Field of view (width)	Read range
1D	2D	(maximum)	
.005" (.13mm)	.0075" (.19 mm)	4.2" (106.7 mm)	3.6 to 4.5" (91.4 mm to 114.3 mm)
.0075" (.19 mm)	.010" (.25 mm)	4.5" (114.3 mm)	3.4 to 4.9" (86.4 mm to 124.5 mm)
.010" (.25 mm)	.015" (.38 mm)	5.5" (139.7 mm)	2.9 to 5.6" (73.7 mm to 142.2 mm)

EZ MATCH

Narrow bar-width		Field of view (width)	Read range
1D	2D	(maximum)	
.0075" (.19 mm)	.010" (.25 mm)	4.2" (106.7 mm)	3.3 to 4.5" (83.8 mm to 114.3 mm)
.010" (.25 mm)	.015" (.38 mm)	4.5" (114.3 mm)	2.75 to 5.0" (69.9 mm to 127 mm)

Demo Kits

Part Number	Description	List Price	Type
FIS-0004-1000G	EZ MATCH, B&W, Serial	€ 1,995	P
FIS-0004-1001G	EZ MATCH, 3MP, COLOR, Serial	€ 2,495	P

Note:

Visit MS-3 Laser section for stand alone configuration references

MICROSCAN.

Visionscape I-Pak**



Visionscape I-PAK

Part Number	Description	List Price	Type
GMV-IP74-0SE0	I-PAK SE - Stainless Enclosure with IPC 677B Panel PC and Visionscape 0740 board. Requires UPS an	€ 22,500	VP
GMV-IP81-0SE0	I-PAK SE - Stainless Enclosure with IPC 677B Panel PC and Visionscape 0800 board. Requires UPS an	€ 22,500	VP
GMV-IP74-0SK0	I-PAK SK with Visionscape 0740 board for analog cameras	€ 6,545	VP
GMV-IP81-0SK0	I-PAK SK with Visionscape 0800 board for analog cameras	€ 6,545	VP
GMV-OHF16-OHE1G	SMARTCAM VS-1 1610TIS STD RES, INTELLIFIND FOR I-PAK HE	€ 3,740	VP
GMV-1HF16-OHE1G	SMARTCAM VS-1 1610TIH HIGH RES, INTELLIFIND FOR I-PAK HE	€ 4,990	VP
GMV-OHF16-OPS1G	VS-1 Pharma Track Trace Kit - VGA Smart Cam, Pharma Light, Lens, Cables, PS	€ 5,490	VP
GMV-1HF16-OPS1G	VS-1 Pharma Track Trace Kit - High Res Smart Cam, Pharma Light, Lens, Cables, PS	€ 6,660	VP
GMV-IP16-0HE0	I-PAK HE Pharma Industry 11CFR Part GUI for Visionscape Smart Camera HE1600T, CD	€ 795	VP

Visionscape I-PAK Accessories

Part Number	Description	List Price	Type
98-209191	UPS 230VAC, EU universal, with cables for I-PAK	€ 500	A
98-209181	UPS 120VAC, US, with cables for I-PAK	€ 500	A
98-209211	I-PAK SE Floor Stand - Stainless Column 1.5m	€ 2,900	A
98-209221	I-PAK SE Shelf Mount System - Stainless	€ 2,100	A
98-200431	I-PAK SE Tilt and Swivel Floor Stand	€ 2,100	A
98-209441	I-PAK SE Adapter to Tilt and Swivel Floor Stand	€ 325	A
98-209241	I-PAK SE Cable UPS to PC	€ 55	A
98-602151	I-PAK SE UPS UK cable and plug for 220VAC 3m	€ 30	A
98-HT00-0LP1	VS-1 DIRECT CONNECT PHARMA LIGHT WHITE DARK FIELD STROBE 1.5 x 2 IN. FOV	€ 695	A
98-A1200713	PC UPGRADE FOR VS I-PAK A1-20071 (SINGLE VS0740 BOARD)	€ 10,821	A
98-A1209751	CBL,ADPTR,CA-XCHM TO 98-VS01-0CX0 OR 98-VS31-0CX0 (CAM UPGRD USNG EXSTG	€ 230	A

Prices and Specifications Subject to Change

€100 Minimum Order

Tel: 425.226.5700
Fax: 425.226.8250

07-000001-01, Rev AC
www.microscan.com

Confidential Document

Page 86 of 109

MICROSCAN.

MS-96 Vial Reader



MS-96 Vial Reader

Part Number	Description	List Price	Type
FIS-VRKIT2	VIAL READER WITH 25 FT INTERFACE CABLE	€ 10,000	P
FIS-VRKIT1	VIAL READER WITH 10 FT INTERFACE CABLE	€ 10,000	P

Instrument and Tool Reader (ITR)



Instrument and Tool Reader

Part Number	Description	List Price	Type
FIS-ITR1517W	INSTRUMENT & TOOL READER (WHITE LED'S)	€ 4,250	P

MICROSCAN.

NERLITE® RING LIGHTS

NERLITE® LED Ring lights are economical and practical choices for illuminating diffused or specular surfaces.



Note: For basic applications continuous lights only require a light + power supply

60 mm Continuous		List Price	Type
Part Number	Description		
NER-011605010	R-60-2, R LED-ND/D, 24V-C, 4.5M (15 ft.) Cbl w/Flying Leads	€ 319	VP
NER-011605040	R-60-2, W LED-ND/D, 24V-C, 4.5M (15 ft.) Cbl w/Flying Leads	€ 395	VP
NER-011605070	R-60-2, B LED-ND/D, 24V-C 4.5M (15 ft.) Cbl w/Flying Leads	€ 395	VP
NER-011605098	R-60-2, IR LED-ND/D, 24V-C 4.5M (15 ft.) Cbl w/Flying Leads	€ 390	VP
70 mm Continuous			
NER-011604810	R-70-2, R LED-ND/D, 24V-C, 4.5M (15 ft.) Cbl w/Flying Leads	€ 319	VP
NER-011604840	R-70-2, W LED-ND/D, 24V-C, 4.5M (15 ft.) Cbl w/Flying Leads	€ 395	VP
NER-011604870	R-70-2, B LED-ND/D, 24V-C 4.5M (15 ft.) Cbl w/Flying Leads	€ 395	VP
NER-011604898	R-70-2, IR LED-ND/D, 24V-C 4.5M (15 ft.) Cbl w/Flying Leads	€ 395	VP
NER-011605891	R-70, UV LED, 24V-C 4.5M [15FT] Cbl w/Flying Leads	€ 395	VP
100 mm Continuous			
NER-011607016	R-100-2 V2, R LED-ND/D, 24V-C, 4.5M (15 ft.) Cbl w/Flying Leads	€ 414	VP
NER-011607046	R-100-2 V2, W LED-ND/D, 24V-C, 4.5M (15 ft.) Cbl w/Flying Leads	€ 538	VP
NER-011607070	R-100-2 V2, B LED-ND/D, 24V-C 4.5M (15 ft.) Cbl w/Flying Leads	€ 538	VP
NER-011607099	R-100-2 V2, IR LED-ND/D, 24V-C 4.5M (15 ft.) Cbl w/Flying Leads	€ 538	VP
Power Supply (60, 70, 100 mm continuous)			
NER-011504100	DSP60 24VDC 2.5A DIN Mount Power Supply	€ 154	A
Power Supply Cordsets			
NER-030028300	AC Power Cord for DSPxx Power Supply, US	€ 44	A
NER-030028400	AC Power Cord for DSPxx Power Supply, EU	€ 44	A
NER-030028500	AC Power Cord for DSPxx Power Supply, UK	€ 44	A
60 mm Strobe			
NER-011605020	R-60-2, R LED-ND/D, 24V-S, 4.5M (15 ft.) Cbl w/Flying Leads	€ 319	VP
NER-011605050	R-60-2, W LED-ND/D, 24V-S, 4.5M (15 ft.) Cbl w/Flying Leads	€ 395	VP
NER-011605080	R-60-2, B LED-ND/D, 24V-S 4.5M (15 ft.) Cbl w/Flying Leads	€ 395	VP
NER-011605099	R-60-2, IR LED-ND/D, 24V-S 4.5M (15 ft.) Cbl w/Flying Leads	€ 395	VP
70 mm Strobe			
NER-011604820	R-70-2, R LED-ND/D, 24V-S, 4.5M (15 ft.) Cbl w/Flying Leads	€ 319	VP
NER-011604850	R-70-2, W LED-ND/D, 24V-S, 4.5M (15 ft.) Cbl w/Flying Leads	€ 395	VP
NER-011604880	R-70-2, B LED-ND/D, 24V-S 4.5M (15 ft.) Cbl w/Flying Leads	€ 395	VP
NER-011604899	R-70-2, IR LED-ND/D, 24V-S 4.5M (15 ft.) Cbl w/Flying Leads	€ 395	VP
NER-011605897	R-70, UV LED, 24V-S 4.5M [15FT] Cbl w/Flying Leads	€ 395	VP
100 mm Strobe			
NER-011607020	R-100-2 V2, R LED-ND/D, 24V-S, 4.5M (15 ft.) Cbl w/Flying Leads	€ 414	VP
NER-011607050	R-100-2 V2, W LED-ND/D, 24V-S, 4.5M (15 ft.) Cbl w/Flying Leads	€ 538	VP
NER-011607080	R-100-2 V2, B LED-ND/D, 24V-S 4.5M (15 ft.) Cbl w/Flying Leads	€ 538	VP
NER-011607095	R-100-2 V2, IR LED-ND/D, 24V-S 4.5M (15 ft.) Cbl w/Flying Leads	€ 538	VP
Power Supply/Controllers			
NER-011504100	DSP60 24VDC 2.5A DIN Mount Power Supply	€ 154	A
98-000152-01	NL200 Lighting Controller (Front Panel Control Only)*	€ 610	A
98-000152-02	NL220 Lighting Controller (Ethernet Control Only)*	€ 870	A
98-000152-03	NL220F Lighting Controller (Ethernet Control Only with Fast Strobe Capability)*	€ 1,120	A
Power Supply Cordsets			
030-028300	AC Power Cord for DSPxx Power Supply, US	€ 44	A
030-028400	AC Power Cord for DSPxx Power Supply, EU	€ 44	A
030-028500	AC Power Cord for DSPxx Power Supply, UK	€ 44	A

*Note: Can also be used to control intensity of continuous lights

Prices and Specifications Subject to Change

€100 Minimum Order

Tel: 425.226.5700
Fax: 425.226.8250

07-000001-01, Rev AC
www.microscan.com

Confidential Document

Page 88 of 109

NERLITE® RING LIGHT ACCESSORIES

Note: For mounting and alternate focused optics use the following

60 mm Mounts and Optics

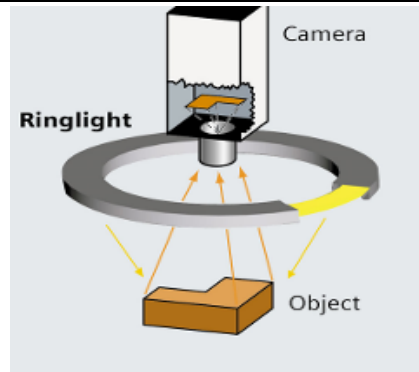
Part Number	Description	List Price	Type
NER-080108200	R-60 V2 Lens Adapter 25.5 mm X 0.50 mm	€33	A
NER-080108201	R-60 V2 Lens Adapter 27.0 mm X 0.50 mm	€33	A
NER-080108203	R-60 V2 Lens Adapter 30.5 mm X 0.50 mm	€33	A
NER-080108202	R-60 V2 Lens Adapter 40.5 mm X 0.50 mm	€33	A
NER-080108205	R-60 V2 Lens Adapter 46.0 mm X0.75 mm	€33	A
NER-035026202	Fresnel (focusing) Lens, R-60 V2, FL = 70mm	€81	A
NER-035026203	Fresnel (focusing) Lens, R-60 V2, FL = 102mm	€81	A
NER-035026204	Fresnel (focusing) Lens, R-60 V2, FL = 127mm	€81	A

70 mm Mounts and Optics

NER-080103900	R-70 V2 Lens Adapter 25.5 mm X 0.50 mm	€33	A
NER-080092600	R-70 V2 Lens Adapter 27.0 mm X 0.50 mm	€33	A
NER-080092501	R-70 V2 Lens Adapter 30.5 mm X 0.50 mm	€33	A
NER-080092500	R-70 V2 Lens Adapter 40.5 mm X 0.50 mm	€33	A
NER-035025202	Fresnel (focusing) Lens, R-70 V2, FL = 70mm	€81	A
NER-035025203	Fresnel (focusing) Lens, R-70 V2, FL = 102mm	€81	A
NER-035025204	Fresnel (focusing) Lens, R-70 V2, FL = 127mm	€81	A

100 mm Mounts and Optics

NER-080114000	R-100 V2 Lens Adapter 25.5 mm X 0.50 mm	€33	A
NER-080114001	R-100 V2 Lens Adapter 27.0 mm X 0.50 mm	€49	A
NER-080114002	R-100 V2 Lens Adapter 30.5 mm X 0.50 mm	€49	A
NER-080114003	R-100 V2 Lens Adapter 40.5 mm X 0.50 mm	€49	A
NER-035027602	Fresnel (focusing) Lens R-100 V2, FL = 70mm	€81	A
NER-035027603	Fresnel (focusing) Lens R-100 V2, FL = 102mm	€81	A
NER-035027604	Fresnel (focusing) Lens R-100 V2, FL = 127mm	€81	A
NER-035027605	Fresnel (focusing) Lens R-100 V2, FL = 152mm	€89	A

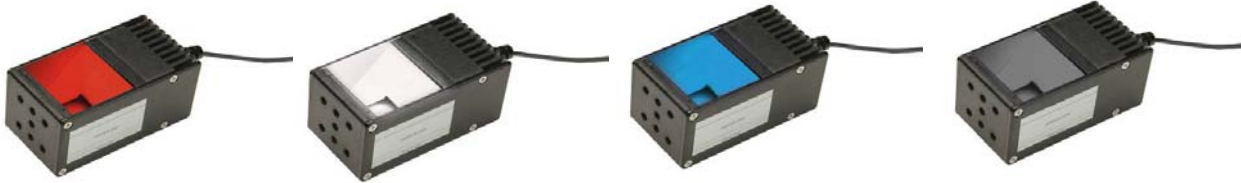


MICROSCAN.

NERLITE® DOAL® and OAL® LIGHTS

NERLITE Diffuse On-Axis Light (DOAL®) provides diffuse, uniform illumination for flat, specular surfaces. On-Axis Light (OAL®) provide non diffuse, uniform illumination for flat, specular surfaces.

V2 Lights provide up to twice the light intensity of their predecessors, are passively-cooled and suitable for clean room use.



Note: For basic applications continuous lights only require a light + power supply

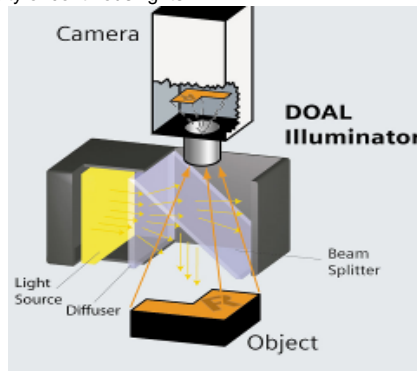
25 mm Continuous		List Price	Type
NER-011201305	DOAL-25, R LED-D, 24V-C, 4.5M (15 ft.) Cbl w/Flying Leads	€ 407	VP
NER-011201313	DOAL-25, W LED-D, 24V-C, 4.5M (15 ft.) Cbl w/Flying Leads	€ 467	VP
50 mm Continuous			
NER-011200814	DOAL-50 V2, R LED-D, 24V-C, 4.5M (15 ft.) Cbl w/Flying Leads	€ 500	VP
NER-011200824	DOAL-50 V2, W LED-D, 24V-C, 4.5M (15 ft.) Cbl w/Flying Leads	€ 707	VP
NER-011200834	DOAL-50 V2, B LED-D, 24V-C, 4.5M (15 ft.) Cbl w/Flying Leads	€ 707	VP
NER-011200892	DOAL-50 V2, IR LED-D, 24V-C, 4.5M (15 ft.) Cbl w/Flying Leads	€ 707	VP
NER-011208800	OAL-50 V2, UV LED-ND, 24V-C, 4.5M (15 ft.) Cbl w/Flying Leads	€ 890	VP
75 mm Continuous			
NER-011200502	DOAL-75, R LED-D, 24V-C, 4.5M (15 ft.) Cbl w/Flying Leads	€ 972	VP
NER-011204902	DOAL-75, W LED-D, 24V-C, 4.5M (15 ft.) Cbl w/Flying Leads	€ 1,585	VP
NER-011205720	DOAL-75, B LED-D, 24V-C, 4.5M (15 ft.) Cbl w/Flying Leads	€ 1,585	VP
NER-011200506	DOAL-75, IR LED-D, 24V-C, 4.5M (15 ft.) Cbl w/Flying Leads	€ 1,585	VP
100 mm Continuous			
NER-011200602	DOAL-100, R LED-D, 24V-C, 4.5M (15 ft.) Cbl w/Flying Leads	€ 1,098	VP
NER-011204601	DOAL-100, W LED-D, 24V-C, 4.5M (15 ft.) Cbl w/Flying Leads	€ 2,041	VP
NER-011204610	DOAL-100, B LED-D, 24V-C, 4.5M (15 ft.) Cbl w/Flying Leads	€ 2,041	VP
NER-011200603	DOAL-100, IR LED-D, 24V-C, 4.5M (15 ft.) Cbl w/Flying Leads	€ 2,041	VP
Power Supply (25, 50,75, 100 mm continuous)			
NER-011504100	DSP60 24VDC 2.5A DIN Mount Power Supply	€ 154	A
Power Supply Cordsets			
NER-030028300	AC Power Cord for DSPxx Power Supply, US	€ 44	A
NER-030028400	AC Power Cord for DSPxx Power Supply, EU	€ 44	A
NER-030028500	AC Power Cord for DSPxx Power Supply, UK	€ 44	A

MICROSCAN.

Note: For high speed or high intensity applications strobed lights require a light + controller + power supply

25 mm Strobe		List Price	Type
Part Number	Description		
NER-011201314	DOAL-25, R LED-D, 24V-S, 4.5M (15 ft.) Cbl w/Flying Leads	€ 407	VP
50 mm Strobe			
NER-011200812	DOAL-50 V2, R LED-D, 24V-S, 4.5M (15 ft.) Cbl w/Flying Leads	€ 500	VP
NER-011200822	DOAL-50 V2, W LED-D, 24V-S, 4.5M (15 ft.) Cbl w/Flying Leads	€ 707	VP
NER-011200832	DOAL-50 V2, B LED-D, 24V-S, 4.5M (15 ft.) Cbl w/Flying Leads	€ 707	VP
NER-011200897	DOAL-50 V2, IR LED-D, 24V-S, 4.5M (15 ft.) Cbl w/Flying Leads	€ 707	VP
NER-011208801	OAL-50 V2, UV LED-ND, 24V-S, 4.5M (15 ft.) Cbl w/Flying Leads	€ 890	VP
75 mm Strobe			
NER-011200501	DOAL-75, R LED-D, 24V-S, 4.5M (15 ft.) Cbl w/Flying Leads	€ 972	VP
NER-011204901	DOAL-75, W LED-D, 24V-S, 4.5M (15 ft.) Cbl w/Flying Leads	€ 1,585	VP
NER-011205721	DOAL-75, B LED-D, 24V-S, 4.5M (15 ft.) Cbl w/Flying Leads	€ 1,585	VP
NER-011200507	DOAL-75, IR LED-D, 24V-S, 4.5M (15 ft.) Cbl w/Flying Leads	€ 1,585	VP
100 mm Strobe			
NER-011200601	DOAL-100, R LED-D, 24V-S, 4.5M (15 ft.) Cbl w/Flying Leads	€ 1,098	VP
NER-011204600	DOAL-100, W LED-D, 24V-S, 4.5M (15 ft.) Cbl w/Flying Leads	€ 2,041	VP
NER-011204611	DOAL-100, B LED-D, 24V-S, 4.5M (15 ft.) Cbl w/Flying Leads	€ 2,041	VP
NER-011200605	DOAL-100, IR LED-D, 24V-S, 4.5M (15 ft.) Cbl w/Flying Leads	€ 2,041	VP
Power Supply/Controllers			
NER-011504100	DSP60 24VDC 2.5A DIN Mount Power Supply	€ 154	A
98-000152-01	NL200 Lighting Controller (Front Panel Control Only)*	€ 610	A
98-000152-02	NL220 Lighting Controller (Ethernet Control Only)*	€ 870	A
98-000152-03	NL220F Lighting Controller (Ethernet Control Only with Fast Strobe Capability)*	€ 1,120	A
Power Supply Cordsets			
030-028300	AC Power Cord for DSPxx Power Supply, US	€ 44	A
030-028400	AC Power Cord for DSPxx Power Supply, EU	€ 44	A
030-028500	AC Power Cord for DSPxx Power Supply, UK	€ 44	A

*Note: Can also be used to control intensity of continuous lights



MICROSCAN.

NERLITE® SCDI®

SCDIs provide extraordinary diffuse illumination, ideal for moderately faceted, cylindrical, and undulating specular surfaces.



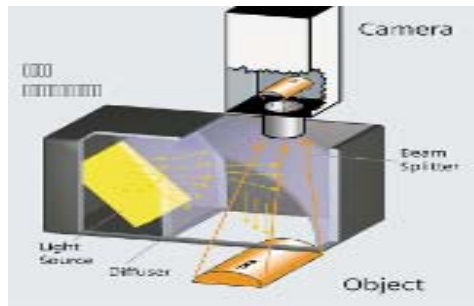
Note: For basic applications continuous lights only require a light + power supply

25 mm Continuous		List Price	Type
Part Number	Description		
NER-011301300	SCDI-25, R LED-D, 24V-C, 4.5M (15 ft.) Cbl w/Flying Leads	€ 671	VP
NER-011301302	SCDI-25, W LED-D, 24V-C, 4.5M (15 ft.) Cbl w/Flying Leads	€ 894	VP
50 mm Continuous			
NER-011304004	SCDI-50 V2, R LED-D, 24V-C, 4.5M (15 ft.) Cbl w/Flying Leads	€ 1,118	VP
NER-011304014	SCDI-50 V2, W LED-D, 24V-C, 4.5M (15 ft.) Cbl w/Flying Leads	€ 1,240	VP
75 mm Continuous			
NER-011302005	SCDI-75, R LED-D, 24V-C, 4.5M (15 ft.) Cbl w/Flying Leads	€ 1,211	VP
NER-011302012	SCDI-75, W LED-D, 24V-C, 4.5M (15 ft.) Cbl w/Flying Leads	€ 1,606	VP
Power Supply (25, 50,75 mm continuous)			
NER-011504100	DSP60 24VDC 2.5A DIN Mount Power Supply	€ 154	A
Power Supply Cordsets			
NER-030028300	AC Power Cord for DSPxx Power Supply, US	€ 44	A
NER-030028400	AC Power Cord for DSPxx Power Supply, EU	€ 44	A
NER-030028500	AC Power Cord for DSPxx Power Supply, UK	€ 44	A

Note: For high speed or high intensity applications strobed lights require a light + controller + power supply

25 mm Strobe		List Price	Type
Part Number	Description		
NER-011301301	SCDI-25, R LED-D, 24V-S, 4.5M (15 ft.) Cbl w/Flying Leads	€ 671	VP
50 mm Strobe			
NER-011304002	SCDI-50 V2, R LED-D, 24V-S, 4.5M (15 ft.) Cbl w/Flying Leads	€ 1,118	VP
NER-011304012	SCDI-50 V2, W LED-D, 24V-S, 4.5M (15 ft.) Cbl w/Flying Leads	€ 1,240	VP
75 mm Strobe			
NER-011302001	SCDI-75, R LED-D, 24V-S, 4.5M (15 ft.) Cbl w/Flying Leads	€ 1,211	VP
Power Supply/Controllers			
NER-011504100	DSP60 24VDC 2.5A DIN Mount Power Supply	€ 154	A
98-000152-01	NL200 Lighting Controller (Front Panel Control Only)*	€ 610	A
98-000152-02	NL220 Lighting Controller (Ethernet Control Only)*	€ 870	A
98-000152-03	NL220F Lighting Controller (Ethernet Control Only with Fast Strobe Capability)*	€ 1,120	A
Power Supply Cordsets			
030-028300	AC Power Cord for DSPxx Power Supply, US	€ 44	A
030-028400	AC Power Cord for DSPxx Power Supply, EU	€ 44	A
030-028500	AC Power Cord for DSPxx Power Supply, UK	€ 44	A

*Note: Can also be used to control intensity of continuous lights



MICROSCAN.

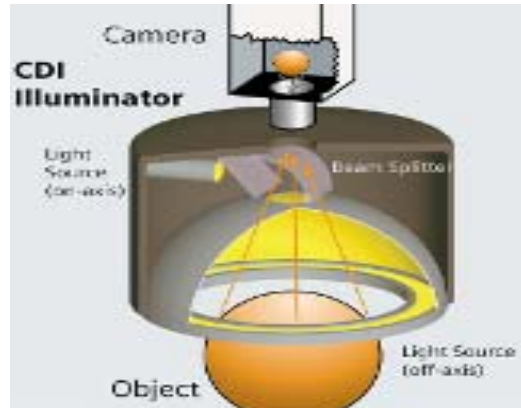
NERLITE® CDI®

CDI's patented optics and integrated sphere technology yield an unrivaled self-contained continuous diffuse light.



CDI (Continuous Diffuse Illuminator)			
Part Number	Description	List Price	Type
NER-011251500	CDI-150/25, R LED-D, 24V-C, 4.5M (15 ft.) Cbl w/Flying Leads	€ 2,398	VP
NER-011251510	CDI-150/25, W LED-D, 24V-C, 4.5M (15 ft.) Cbl w/Flying Leads	€ 2,520	VP
NER-011252000	CDI-200/75, R LED-D, 24V-C, 4.5M (15 ft.) Cbl w/Flying Leads	€ 2,724	VP
NER-011252010	CDI-200/75, W LED-D, 24V-C, 4.5M (15 ft.) Cbl w/Flying Leads	€ 2,846	VP
Power Supply/Controllers			
NER-011504100	DSP60 24VDC 2.5A DIN Mount Power Supply	€ 154	A
98-000152-01	NL200 Lighting Controller (Front Panel Control Only)*	€ 610	A
98-000152-02	NL220 Lighting Controller (Ethernet Control Only)*	€ 870	A
98-000152-03	NL220F Lighting Controller (Ethernet Control Only with Fast Strobe Capability)*	€ 1,120	A
Power Supply Cordsets			
030-028300	AC Power Cord for DSPxx Power Supply, US	€ 44	A
030-028400	AC Power Cord for DSPxx Power Supply, EU	€ 44	A
030-028500	AC Power Cord for DSPxx Power Supply, UK	€ 44	A

*Note: Can also be used to control intensity of continous lights



MICROSCAN.

HI-BRITES

*HI-BRITES are designed to provide high intensity illumination over a large areas.
HI-BRITES have an industrial design with IP67 enclosure and built in controller.*



HI-Brite 300 mm			
PART #	DESCRIPTION	List Price	Type
NER-011660300G	HI-BRITE 300, Red, Narrow	€ 750	VP
NER-011660310G	HI-BRITE 300, White, Narrow	€ 790	VP
NER-011660301G	HI-BRITE 300, Red, Wide	€ 750	VP
NER-011660311G	HI-BRITE 300, White, Wide	€ 790	VP
HI-Brite 100 mm			
NER-011660200G	HI-BRITE 100, Red, Narrow	€ 580	VP
NER-011660210G	HI-BRITE 100, White, Narrow	€ 625	VP
NER-011660201G	HI-BRITE 100, Red, Wide	€ 580	VP
NER-011660211G	HI-BRITE 100, White, Wide	€ 625	VP
HI-Brite 45 mm			
NER-011660100G	HI-BRITE 45, Red, Narrow	€ 333	VP
NER-011660110G	HI-BRITE 45, White, Narrow	€ 375	VP
NER-011660101G	HI-BRITE 45, Red, Wide	€ 333	VP
NER-011660111G	HI-BRITE 45, White, Wide	€ 375	VP
Hi-Brite Cables (Required)			
60-000055-01	Cable, 5P M12 Male - 5P M12 Female, 1M, Shielded	€ 64	A
60-000056-01	Cable, 5P M12 Male - 5P M12 Female, 3M, Shielded	€ 63	A
60-000057-01	Cable, 5P M12 Female - Flying Leads, 3M, Shielded	€ 54	A
60-000058-01	Cable, 5P M12 Female - Flying Leads, 5M, Shielded	€ 63	A
Power Supply			
NER-011504100	DSP60 24VDC 2.5A DIN Mount Power Supply	€ 154	A
97-000006-01	DSP100 24VDC 4.2A DIN Mount Power Supply	€ 211	A
Power Supply Cordsets			
NER-030028300	AC Power Cord for DSPxx Power Supply, US	€ 44	A
NER-030028400	AC Power Cord for DSPxx Power Supply, EU	€ 44	A
NER-030028500	AC Power Cord for DSPxx Power Supply, UK	€ 44	A

MICROSCAN.

AREA ARRAYS

Area Arrays are designed for non-specular surface lighting in applications that demand economical solutions.






Note: For basic applications continuous lights only require a light + power supply

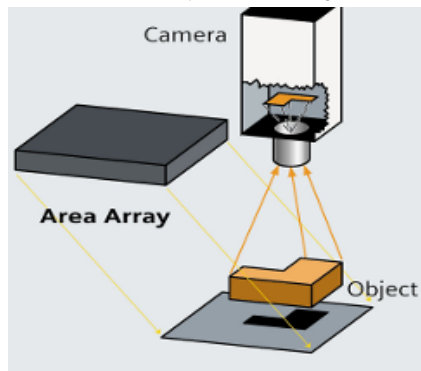
Area Arrays 50X50 Continuous		List Price	Type
PART #	DESCRIPTION		
NER-011652115	AR-50x50-HO, R LED-ND, 24V-C, 4.5M (15 ft.) Cbl w/Flying Leads	€ 315	VP
NER-011652114	AR-50x50-HO, W LED-ND, 24V-C, 4.5M (15 ft.) Cbl w/Flying Leads	€ 410	VP
NER-011652125	AR-50x50-HO, B LED-ND, 24V-C, 4.5M (15 ft.) Cbl w/Flying Leads	€ 410	VP
NER-011652143	AR-50x50-HO, IR LED-ND, 24V-C, 4.5M (15 ft.) Cbl w/Flying Leads	€ 410	VP
NER-011652138	AR-50X50-HO, UV LED, 24V-C 4.5M [15FT] Cbl W/Flying Leads	€ 410	VP
Area Arrays 75X75 Continuous			
NER-011903401	AR-75x75-HO, R LED-ND, 24V-C, 4.5M (15 ft.) Cbl w/Flying Leads	€ 472	VP
NER-011903502	AR-75x75-HO, W LED-ND, 24V-C, 4.5M (15 ft.) Cbl w/Flying Leads	€ 732	VP
NER-011903503	AR-75x75-HO, B LED-ND, 24V-C, 4.5M (15 ft.) Cbl w/Flying Leads	€ 732	VP
NER-011652182	AR-75x75-HO, IR LED-ND, 24V-C, 4.5M (15 ft.) Cbl w/Flying Leads	€ 732	VP
NER-011652181	AR-75X75-HO, UV LED, 24V-C 4.5M [15FT] Cbl W/Flying Leads	€ 732	VP
Area Arrays 100X100 Continuous			
NER-011904101	AR-100x100-HO, R LED-ND, 24V-C, 4.5M (15 ft.) Cbl w/Flying Leads	€ 768	VP
NER-011904201	AR-100x100-HO, W LED-ND, 24V-C, 4.5M (15 ft.) Cbl w/Flying Leads	€ 1,061	VP
NER-011904301	AR-100x100-HO, B LED-ND, 24V-C, 4.5M (15 ft.) Cbl w/Flying Leads	€ 1,061	VP
NER-011652232	AR-100x100-HO, IR LED-ND, 24V-C, 4.5M (15 ft.) Cbl w/Flying Leads	€ 1,061	VP
Area Arrays 50X200 Continuous			
NER-011650005	AR-50x200-HO, R LED-ND, 24V-C, 4.5M (15 ft.) Cbl w/Flying Leads	€ 805	VP
NER-011650012	AR-50x200-HO, W LED-ND, 24V-C, 4.5M (15 ft.) Cbl w/Flying Leads	€ 1,435	VP
Power Supply (Area Arrays continuous)			
NER-011504100	DSP60 24VDC 2.5A DIN Mount Power Supply	€ 154	A
Power Supply Cordsets			
NER-030028300	AC Power Cord for DSPxx Power Supply, US	€ 44	A
NER-030028400	AC Power Cord for DSPxx Power Supply, EU	€ 44	A
NER-030028500	AC Power Cord for DSPxx Power Supply, UK	€ 44	A

MICROSCAN.

Note: For high speed or high intensity applications strobed lights require a light + controller + power supply

Area Arrays 50X50 Strobed			List Price	List
PART #	DESCRIPTION			
NER-011652131	AR-50x50-HO, R LED-ND, 24V-S, 4.5M (15 ft.) Cbl w/Flying Leads		€ 315	VP
NER-011652133	AR-50x50-HO, W LED-ND, 24V-S, 4.5M (15 ft.) Cbl w/Flying Leads		€ 410	VP
NER-011652135	AR-50x50-HO, B LED-ND, 24V-S, 4.5M (15 ft.) Cbl w/Flying Leads		€ 410	VP
NER-011652144	AR-50x50-HO, IR LED-ND, 24V-S, 4.5M (15 ft.) Cbl w/Flying Leads		€ 410	VP
NER-011652137	AR-50x50-HO, UV LED, 24V-S 4.5M [15FT] Cbl W/Flying Leads		€ 410	VP
Area Arrays 75X75 Strobed				
NER-011652171	AR-75x75-HO, R LED-ND, 24V-S, 4.5M (15 ft.) Cbl w/Flying Leads		€ 472	VP
NER-011652173	AR-75x75-HO, W LED-ND, 24V-S, 4.5M (15 ft.) Cbl w/Flying Leads		€ 732	VP
NER-011652175	AR-75x75-HO, B LED-ND, 24V-S, 4.5M (15 ft.) Cbl w/Flying Leads		€ 732	VP
NER-011904006	AR-75x75-HO, IR LED-ND, 24V-S, 4.5M (15 ft.) Cbl w/Flying Leads		€ 732	VP
NER-011652180	AR-75x75-HO, UV LED, 24V-S 4.5M [15FT] Cbl w/ Flying Leads		€ 732	VP
Area Arrays 100X100 Strobed				
NER-011652226	AR-100x100-HO, R LED-ND, 24V-S, 4.5M (15 ft.) Cbl w/Flying Leads		€ 768	VP
NER-011652228	AR-100x100-HO, W LED-ND, 24V-S, 4.5M (15 ft.) Cbl w/Flying Leads		€ 1,061	VP
NER-011652230	AR-100x100-HO, B LED-ND, 24V-S, 4.5M (15 ft.) Cbl w/Flying Leads		€ 1,061	VP
NER-011904406	AR-100x100-HO, IR LED-ND, 24V-S, 4.5M (15 ft.) Cbl w/Flying Leads		€ 1,061	VP
Area Arrays 50X200 Strobed				
NER-011650004	AR-50x200-HO, R LED-ND, 24V-S, 4.5M (15 ft.) Cbl w/Flying Leads		€ 805	VP
NER-011650013	AR-50x200-HO, W LED-ND, 24V-S, 4.5M (15 ft.) Cbl w/Flying Leads		€ 1,435	VP
Power Supply/Controllers				
NER-011504100	DSP60 24VDC 2.5A DIN Mount Power Supply		€ 154	A
98-000152-01	NL200 Lighting Controller (Front Panel Control Only)*		€ 610	A
98-000152-02	NL220 Lighting Controller (Ethernet Control Only)*		€ 870	A
98-000152-03	NL220F Lighting Controller (Ethernet Control Only with Fast Strobe Capability)*		€ 1,120	A
Power Supply Cordsets				
030-028300	AC Power Cord for DSPxx Power Supply, US		€ 44	A
030-028400	AC Power Cord for DSPxx Power Supply, EU		€ 44	A
030-028500	AC Power Cord for DSPxx Power Supply, UK		€ 44	A

*Note: Can also be used to control intensity of continuous lights



LINEAR ARRAYS (also known as line/bar lights)

Linear Arrays are designed for off axis, non-specular surface lighting in applications that demand small size economical solutions.



Note: For basic applications continuous lights only require a light + power supply

Linear Arrays 50 Continuous			
PART #	DESCRIPTION	List Price	Type
NER-011654195	LA-50-1, R LED-ND/D, 24V-C, 4.5M (15 ft.) Cbl w/Flying Leads	€ 256	VP
NER-011654198	LA-50-1, W LED-ND/D, 24V-C, 4.5M (15 ft.) Cbl w/Flying Leads	€ 278	VP
NER-011654170	LA-50-1, B LED-ND/D, 24V-C, 4.5M (15 ft.) Cbl w/Flying Leads	€ 278	VP
Linear Arrays 100 Continuous			
NER-011654395	LA-100-1, R LED-ND/D, 24V-C, 4.5M (15 ft.) Cbl w/Flying Leads	€ 344	VP
NER-011654340	LA-100-1, W LED-ND/D, 24V-C, 4.5M (15 ft.) Cbl w/Flying Leads	€ 388	VP
NER-011654370	LA-100-1, B LED-ND/D, 24V-C, 4.5M (15 ft.) Cbl w/Flying Leads	€ 388	VP
Linear Arrays 150 Continuous			
NER-011654593	LA-150-1, R LED-ND/D, 24V-C, 4.5M (15 ft.) Cbl w/Flying Leads	€ 388	VP
NER-011654540	LA-150-1, W LED-ND/D, 24V-C, 4.5M (15 ft.) Cbl w/Flying Leads	€ 454	VP
NER-011654570	LA-150-1, B LED-ND/D, 24V-C, 4.5M (15 ft.) Cbl w/Flying Leads	€ 454	VP
Power Supply (Linear Arrays continuous)			
NER-011504100	DSP60 24VDC 2.5A DIN Mount Power Supply	€ 154	A
Power Supply Cordsets			
NER-030028300	AC Power Cord for DSPxx Power Supply, US	€ 44	A
NER-030028400	AC Power Cord for DSPxx Power Supply, EU	€ 44	A
NER-030028500	AC Power Cord for DSPxx Power Supply, UK	€ 44	A

Note: For high speed or high intensity applications strobed lights require a light + controller + power supply

Linear Arrays 50 Strobed			
PART #	DESCRIPTION	List Price	List Price
NER-011654120	LA-50-1, R LED-ND/D, 24V-S, 4.5M (15 ft.) Cbl w/Flying Leads	€ 256	VP
NER-011654150	LA-50-1, W LED-ND/D, 24V-S, 4.5M (15 ft.) Cbl w/Flying Leads	€ 278	VP
NER-011654180	LA-50-1, B LED-ND/D, 24V-S, 4.5M (15 ft.) Cbl w/Flying Leads	€ 278	VP
Linear Arrays 100 Strobed			
NER-011654320	LA-100-1, R LED-ND/D, 24V-S, 4.5M (15 ft.) Cbl w/Flying Leads	€ 344	VP
NER-011654350	LA-100-1, W LED-ND/D, 24V-S, 4.5M (15 ft.) Cbl w/Flying Leads	€ 388	VP
NER-011654380	LA-100-1, B LED-ND/D, 24V-S, 4.5M (15 ft.) Cbl w/Flying Leads	€ 388	VP
Linear Arrays 150 Strobed			
NER-011654520	LA-150-1, R LED-ND/D, 24V-S, 4.5M (15 ft.) Cbl w/Flying Leads	€ 388	VP
NER-011654550	LA-150-1, W LED-ND/D, 24V-S, 4.5M (15 ft.) Cbl w/Flying Leads	€ 454	VP
NER-011654580	LA-150-1, B LED-ND/D, 24V-S, 4.5M (15 ft.) Cbl w/Flying Leads	€ 454	VP
Power Supply/Controllers			
NER-011504100	DSP60 24VDC 2.5A DIN Mount Power Supply	€ 154	A
98-000152-01	NL200 Lighting Controller (Front Panel Control Only)*	€ 610	A
98-000152-02	NL220 Lighting Controller (Ethernet Control Only)*	€ 870	A
98-000152-03	NL220F Lighting Controller (Ethernet Control Only with Fast Strobe Capability)*	€ 1,120	A
Power Supply Cordsets			
030-028300	AC Power Cord for DSPxx Power Supply, US	€ 44	A
030-028400	AC Power Cord for DSPxx Power Supply, EU	€ 44	A
030-028500	AC Power Cord for DSPxx Power Supply, UK	€ 44	A

*Note: Can also be used to control intensity of continuous lights

MICROSCAN.

NERLITE® HIGH INTENSITY SPOT LIGHTS

NERLITE Spot lights provide economical lighting for non-specular surfaces.



Note: For high speed or high intensity applications strobed lights require a light + controller + power supply

Red Spot 20mm Continuous/Strobed		List Price	Type
PART #	DESCRIPTION		
NER-011656003G	S-20, R1 LED-ND10, CC, 4.5M (15 ft.) Cbl w/Flying Leads	€ 285	VP
NER-011656013	S-20, W3 LED-ND10, CC, 4.5M (15 ft.) Cbl w/Flying Leads	€ 285	VP
NER-011657600G	S-20, UV1 10 DEG, CC, 4.5M (15 ft.) Cbl w/Flying Leads	€ 357	VP
NER-011657601G	S-20, UV3 10 DEG, CC, 4.5M (15 ft.) Cbl w/Flying Leads	€ 357	VP
NER-011656913	LLG-20.6 W3 LED-ND CC 4.5M (15ft.) Cbl w/Flying Leads	€ 285	VP
Power Supply/Controllers			
NER-011504100	DSP60 24VDC 2.5A DIN Mount Power Supply	€ 154	A
98-000152-01	NL200 Lighting Controller (Front Panel Control Only)*	€ 610	A
98-000152-02	NL220 Lighting Controller (Ethernet Control Only)*	€ 870	A
98-000152-03	NL220F Lighting Controller (Ethernet Control Only with Fast Strobe Capability)*	€ 1,120	A
Power Supply Cordsets			
030-028300	AC Power Cord for DSPxx Power Supply, US	€ 44	A
030-028400	AC Power Cord for DSPxx Power Supply, EU	€ 44	A
030-028500	AC Power Cord for DSPxx Power Supply, UK	€ 44	A

*Note: Can also be used to control intensity of continuous lights

MICROSCAN.

NERLITE® AREA SPOT ARRAY LIGHTS

NERLITE Spot Area Arrays provide economical lighting for non-specular surfaces.



Note: For basic applications continuous lights only require a light + controller + power supply

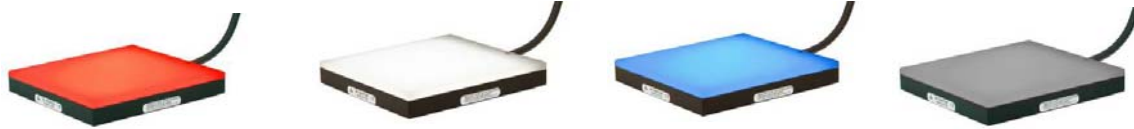
Spot 40mm Continuous			
PART #	DESCRIPTION	List Price	Type
NER-011650320	S-40, R LED-D, 24V-C, 4.5M (15 ft.) Cbl w/Flying Leads	€ 253	VP
NER-011650323	S-40, R LED-ND, 24V-C, 4.5M (15 ft.) Cbl w/Flying Leads	€ 253	VP
NER-011651220	S-40, W LED-ND, 24V-C, 4.5M (15 ft.) Cbl w/Flying Leads	€ 300	VP
Power Supply (60, 70, 100 mm continuous)			
NER-011504100	DSP60 24VDC 2.5A DIN Mount Power Supply	€ 154	A
Power Supply Cordsets			
NER-030028300	AC Power Cord for DSPxx Power Supply, US	€ 44	A
NER-030028400	AC Power Cord for DSPxx Power Supply, EU	€ 44	A
NER-030028500	AC Power Cord for DSPxx Power Supply, UK	€ 44	A
Spot 40mm Strobed			
NER-011650305	S-40, R LED-D, 24V-S, 4.5M (15 ft.) Cbl w/Flying Leads	€ 253	VP
NER-011651211	S-40, W LED-D, 24V-S, 4.5M (15 ft.) Cbl w/Flying Leads	€ 300	VP
NER-011650304	S-40, R LED-ND, 24V-S, 4.5M (15 ft.) Cbl w/Flying Leads	€ 253	VP
NER-011651204	S-40, W LED-ND, 24V-S, 4.5M (15 ft.) Cbl w/Flying Leads	€ 300	VP
Power Supply/Controllers			
NER-011504100	DSP60 24VDC 2.5A DIN Mount Power Supply	€ 154	A
98-000152-01	NL200 Lighting Controller (Front Panel Control Only)*	€ 610	A
98-000152-02	NL220 Lighting Controller (Ethernet Control Only)*	€ 870	A
98-000152-03	NL220F Lighting Controller (Ethernet Control Only with Fast Strobe Capability)*	€ 1,120	A
Power Supply Cordsets			
030-028300	AC Power Cord for DSPxx Power Supply, US	€ 44	A
030-028400	AC Power Cord for DSPxx Power Supply, EU	€ 44	A
030-028500	AC Power Cord for DSPxx Power Supply, UK	€ 44	A

*Note: Can also be used to control intensity of continuous lights

MICROSCAN.

NERLITE® BACKLIGHTS with "Edge to Edge" lighting

Backlights provide sharp contrast to outline a parts shape, hide clear housings, and view openings such as drilled holes.



Note: For basic applications continuous lights only require a light + power supply

Backlights 47X59 Continuous		List Price	Type
PART #	DESCRIPTION		
NER-011659300G	BACKLIGHT, MV, 47X59 R LED 24VC, M12 CONNECTOR	€ 459	VP
NER-011659310G	BACKLIGHT, MV, 47X59 W LED 24VC, M12 CONNECTOR	€ 581	VP
NER-011659320G	BACKLIGHT, MV, 47X59 B LED 24VC, M12 CONNECTOR	€ 581	VP
NER-011659340G	BACKLIGHT, MV, 47X59 I LED 24VC, M12 CONNECTOR	€ 459	VP
Backlights 71X88 Continuous			
NER-011659400G	BACKLIGHT, MV, 71X88 R LED 24VC, M12 CONNECTOR	€ 533	VP
NER-011659410G	BACKLIGHT, MV, 71X88 W LED 24VC, M12 CONNECTOR	€ 659	VP
NER-011659420G	BACKLIGHT, MV, 71X88 B LED 24VC, M12 CONNECTOR	€ 659	VP
NER-011659440G	BACKLIGHT, MV, 71X88 I LED 24VC, M12 CONNECTOR	€ 533	VP
Backlights 100X100 Continuous			
NER-011659500G	BACKLIGHT MV 100X100 R LED 24VC, M12 CONNECTOR	€ 569	VP
NER-011659510G	BACKLIGHT MV 100X100 W LED 24VC, M12 CONNECTOR	€ 732	VP
NER-011659520G	BACKLIGHT MV 100X100 B LED 24VC, M12 CONNECTOR	€ 732	VP
NER-011659540G	BACKLIGHT MV 100X100 I LED 24VC, M12 CONNECTOR	€ 569	VP
Backlights 50X200 Continuous			
NER-011659600G	BACKLIGHT, MV, 50X200 R LED 24VC, M12 CONNECTOR	€ 569	VP
NER-011659610G	BACKLIGHT, MV, 50X200 W LED 24VC, M12 CONNECTOR	€ 732	VP
NER-011659620G	BACKLIGHT, MV, 50X200 B LED 24VC, M12 CONNECTOR	€ 732	VP
NER-011659640G	BACKLIGHT, MV, 50X200 I LED 24VC, M12 CONNECTOR	€ 569	VP
Power Supply Backlights Continuous			
NER-011504100	DSP60 24VDC 2.5A DIN Mount Power Supply	€ 154	A
Power Supply Cordsets			
NER-030028300	AC Power Cord for DSPxx Power Supply, US	€ 44	A
NER-030028400	AC Power Cord for DSPxx Power Supply, EU	€ 44	A
NER-030028500	AC Power Cord for DSPxx Power Supply, UK	€ 44	A
Backlight Accessories			
NER-030029100	M12 to Flying Leads Cable	€ 44	A

MICROSCAN.

Note: For high speed or high intensity applications strobed lights require a light + controller + power supply

Backlights 47X59 Strobed

PART #	DESCRIPTION	List Price	Type
NER-011659301G	BACKLIGHT, MV, 47X59 R LED CC, M12 CONNECTOR	€ 459	VP
NER-011659311G	BACKLIGHT, MV, 47X59 W LED CC, M12 CONNECTOR	€ 581	VP
NER-011659321G	BACKLIGHT, MV, 47X59 B LED CC, M12 CONNECTOR	€ 581	VP
NER-011659341G	BACKLIGHT, MV, 47X59 I LED CC, M12 CONNECTOR	€ 459	VP

Backlights 71X88 Strobed

NER-011659401G	BACKLIGHT, MV, 71X88 R LED CC, M12 CONNECTOR	€ 533	VP
NER-011659411G	BACKLIGHT, MV, 71X88 W LED CC, M12 CONNECTOR	€ 659	VP
NER-011659421G	BACKLIGHT, MV, 71X88 B LED CC, M12 CONNECTOR	€ 659	VP
NER-011659441G	BACKLIGHT, MV, 71X88 I LED CC, M12 CONNECTOR	€ 533	VP

Backlights 100X100 Strobed

NER-011659501G	BACKLIGHT, MV, 100X100 R LED CC, M12 CONNECTOR	€ 569	VP
NER-011659511G	BACKLIGHT, MV, 100X100 W LED CC, M12 CONNECTOR	€ 732	VP
NER-011659521G	BACKLIGHT, MV, 100X100 B LED CC, M12 CONNECTOR	€ 732	VP
NER-011659541G	BACKLIGHT, MV, 100X100 I LED CC, M12 CONNECTOR	€ 569	VP

Backlights 50X200 Strobed

NER-011659601G	BACKLIGHT, MV, 50X200 R LED CC, M12 CONNECTOR	€ 569	VP
NER-011659611G	BACKLIGHT, MV, 50X200 W LED CC, M12 CONNECTOR	€ 732	VP
NER-011659621G	BACKLIGHT, MV, 50X200 B LED CC, M12 CONNECTOR	€ 732	VP
NER-011659641G	BACKLIGHT, MV, 50X200 I LED CC, M12 CONNECTOR	€ 569	VP

Power Supply/Controllers

NER-011504100	DSP60 24VDC 2.5A DIN Mount Power Supply	€ 154	A
98-000152-01	NL200 Lighting Controller (Front Panel Control Only)*	€ 610	A
98-000152-02	NL220 Lighting Controller (Ethernet Control Only)*	€ 870	A
98-000152-03	NL220F Lighting Controller (Ethernet Control Only with Fast Strobe Capability)*	€ 1,120	A

Power Supply Cordsets

030-028300	AC Power Cord for DSPxx Power Supply, US	€ 44	A
030-028400	AC Power Cord for DSPxx Power Supply, EU	€ 44	A
030-028500	AC Power Cord for DSPxx Power Supply, UK	€ 44	A

*Note: Can also be used to control intensity of continuous lights

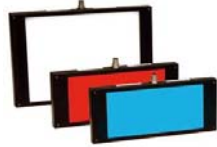
Backlight Accessories

NER-030029100	M12 to Flying Leads Cable	€ 44	A
---------------	---------------------------	------	---

MICROSCAN.

NERLITE® LARGE BACKLIGHTS

Backlights provide sharp contrast to outline a parts shape, hide clear housings, and view openings such as drilled holes.



Note: For high speed or high intensity applications strobed lights require a light + controller + power supply

Backlights 100X200 Continuous/Strobed		List Price	Type
PART #	DESCRIPTION		
NER-011659700G	BACKLIGHT, MV, 100X200 R LED CC, M12 CONNECTOR	€ 980	VP
NER-011659710G	BACKLIGHT, MV, 100X200 W LED CC, M12 CONNECTOR	€ 1,061	VP
NER-011659720G	BACKLIGHT, MV, 100X200 B LED CC, M12 CONNECTOR	€ 1,061	VP
NER-011659740G	BACKLIGHT, MV, 100X200 I LED CC, M12 CONNECTOR	€ 980	VP
Backlights 150X200 Continuous/Strobed			
NER-011659800G	BACKLIGHT, MV, 150X200 R LED CC, M12 CONNECTOR	€ 1,077	VP
NER-011659810G	BACKLIGHT, MV, 150X200 W LED CC, M12 CONNECTOR	€ 1,159	VP
NER-011659820G	BACKLIGHT, MV, 150X200 B LED CC, M12 CONNECTOR	€ 1,159	VP
Backlights 200X250 & 150X200 IR Continuous/Strobed			
NER-011659840G	BACKLIGHT, MV, 150X200 I LED CC, M12 CONNECTOR	€ 1,077	VP
NER-011659900G	BACKLIGHT, MV, 200X250 R LED CC, M12 CONNECTOR	€ 1,297	VP
NER-011659910G	BACKLIGHT, MV, 200X250 W LED CC, M12 CONNECTOR	€ 1,378	VP
NER-011659920G	BACKLIGHT, MV, 200X250 B LED CC, M12 CONNECTOR	€ 1,378	VP
NER-011659940G	BACKLIGHT, MV, 200X250 I LED CC, M12 CONNECTOR	€ 1,297	VP
Power Supply/Controllers			
NER-011504100	DSP60 24VDC 2.5A DIN Mount Power Supply	€ 154	A
98-000152-01	NL200 Lighting Controller (Front Panel Control Only)*	€ 610	A
98-000152-02	NL220 Lighting Controller (Ethernet Control Only)*	€ 870	A
98-000152-03	NL220F Lighting Controller (Ethernet Control Only with Fast Strobe Capability)*	€ 1,120	A
Power Supply Cordsets			
030-028300	AC Power Cord for DSPxx Power Supply, US	€ 44	A
030-028400	AC Power Cord for DSPxx Power Supply, EU	€ 44	A
030-028500	AC Power Cord for DSPxx Power Supply, UK	€ 44	A
*Note: Can also be used to control intensity of continuous lights			
Backlight Accessories			
NER-030029100	M12 to Flying Leads Cable	€ 44	A

MICROSCAN.

NERLITE® DOMELIGHTS

NERLITE Dome Lights provide practical and cost-effective solutions to illuminate shiny, bumpy surfaces.

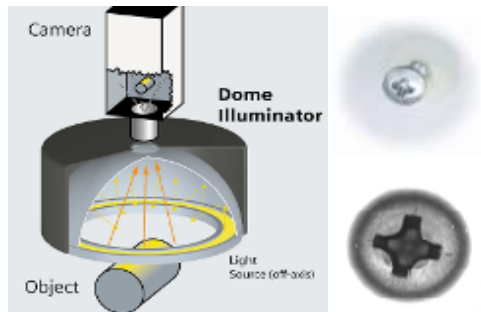


Note: For basic applications continuous lights only require a light + power supply

Dome Lights Continuous		List Price	Type
NER-011600403	D-150, R LED-D, 24V-C, 4.5M (15 ft.) Cbl w/Flying Leads	€ 715	VP
NER-011600411	D-150, W LED-D, 24V-C, 4.5M (15 ft.) Cbl w/Flying Leads	€ 1,220	VP
NER-011600421	D-150, B LED-D, 24V-C, 4.5M (15 ft.) Cbl w/Flying Leads	€ 1,220	VP
Power Supply Domes Continuous			
NER-011504100	DSP60 24VDC 2.5A DIN Mount Power Supply	€ 154	A
Power Supply Cordsets			
NER-030028300	AC Power Cord for DSPxx Power Supply, US	€ 44	A
NER-030028400	AC Power Cord for DSPxx Power Supply, EU	€ 44	A
NER-030028500	AC Power Cord for DSPxx Power Supply, UK	€ 44	A

Note: For high speed or high intensity applications strobed lights require a light + controller + power supply

Dome Lights Strobed		List Price	List
NER-011600402	D-150, R LED-D, 24V-S, 4.5M (15 ft.) Cbl w/Flying Leads	€ 715	VP
NER-011600412	D-150, W LED-D, 24V-S, 4.5M (15 ft.) Cbl w/Flying Leads	€ 1,220	VP
Power Supply/Controllers Domes Strobed			
NER-011504100	DSP60 24VDC 2.5A DIN Mount Power Supply	€ 154	A
98-000152-01	NL200 Lighting Controller (Front Panel Control Only)*	€ 610	A
98-000152-02	NL220 Lighting Controller (Ethernet Control Only)*	€ 870	A
98-000152-03	NL220F Lighting Controller (Ethernet Control Only with Fast Strobe Capability)*	€ 1,120	A
Power Supply Cordsets			
NER-030028300	AC Power Cord for DSPxx Power Supply, US	€ 44	A
NER-030028400	AC Power Cord for DSPxx Power Supply, EU	€ 44	A
NER-030028500	AC Power Cord for DSPxx Power Supply, UK	€ 44	A



Prices and Specifications Subject to Change

Tel: 425.226.5700
Fax: 425.226.8250

€100 Minimum Order

07-000001-01, Rev AC
www.microscan.com

Confidential Document

Page 103 of 109

MICROSCAN.

NERLITE® DARKFIELD LIGHTS

NERLITE Darkfield Lights enhance the contrast of surface features (e.g. embossed or engraved

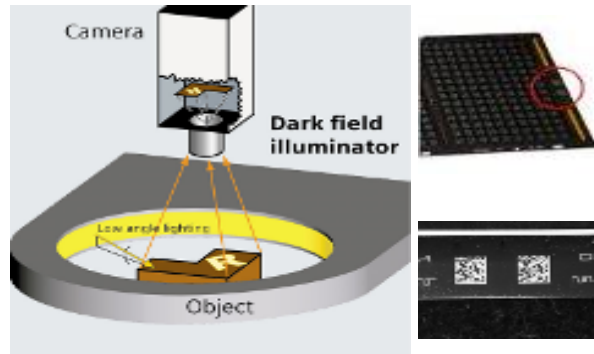


Darkfield 50 Continuous		List Price	Type
PART #	DESCRIPTION		
NER-011609311	DF-50, R LED-ND, 24V-C, 4.5M (15 ft.) Cbl w/Flying Leads	€ 402	VP
NER-011609321	DF-50, W LED-ND, 24V-C, 4.5M (15 ft.) Cbl w/Flying Leads	€ 461	VP
NER-011609331	DF-50 B LED-ND 24V-C 2M [6.6'] CBL W/DB9	€ 461	VP
Darkfield 100 Continuous			
NER-011601520	DF-100-1, R LED-ND, 24V-C, 4.5M (15 ft.) Cbl w/Flying Leads	€ 458	VP
NER-011601521	DF-100-1, R LED-D, 24V-C, 4.5M (15 ft.) Cbl w/Flying Leads	€ 458	VP
Darkfield 150 Continuous			
NER-011600020	DF-150-1, R LED-ND, 24V-C, 4.5M (15 ft.) Cbl w/Flying Leads	€ 651	VP
NER-011600031	DF-150-1, W LED-ND, 24V-C, 4.5M (15 ft.) Cbl w/Flying Leads	€ 651	VP
NER-011600070	DF-150-1, B LED-ND, 24V-C, 4.5M (15 ft.) Cbl w/Flying Leads	€ 651	VP
NER-011600021	DF-150-1, R LED-D, 24V-C, 4.5M (15 ft.) Cbl w/Flying Leads	€ 651	VP
NER-011600041	DF-150-1, W LED-D, 24V-C, 4.5M (15 ft.) Cbl w/Flying Leads	€ 651	VP
NER-011600208	DF-150-3, R LED-ND, 24V-C, 4.5M (15 ft.) Cbl w/Flying Leads	€ 894	VP
NER-011600206	DF-150-3, W LED-ND, 24V-C, 4.5M (15 ft.) Cbl w/Flying Leads	€ 1,138	VP
Darkfield 200 Continuous			
NER-011603300	DF-200-1, R LED-D, 24V-C, 4.5M (15 ft.) Cbl w/Flying Leads	€ 1,301	VP
Power Supply Darkfields Continuous			
NER-011504100	DSP60 24VDC 2.5A DIN Mount Power Supply	€ 154	A
Power Supply Cordsets			
NER-030028300	AC Power Cord for DSPxx Power Supply, US	€ 44	A
NER-030028400	AC Power Cord for DSPxx Power Supply, EU	€ 44	A
NER-030028500	AC Power Cord for DSPxx Power Supply, UK	€ 44	A

MICROSCAN.

Note: For high speed or high intensity applications strobed lights require a light + controller + power supply

Darkfield 50 Strobed		List Price	Type
PART #	DESCRIPTION		
NER-011609312	DF-50, R LED-ND, 24V-S, 4.5M (15 ft.) Cbl w/Flying Leads	€ 402	VP
NER-011609322	DF-50, W LED-ND, 24V-S, 4.5M (15 ft.) Cbl w/Flying Leads	€ 461	VP
NER-011609332	DF-50 B LED-ND 24V-S 2M [6.6] CBL W/DB9	€ 461	VP
Darkfield 100 Strobed			
NER-011601502	DF-100-1, R LED-D, 24V-S, 4.5M (15 ft.) Cbl w/Flying Leads	€ 458	VP
Darkfield 150 Strobed			
NER-011600004	DF-150-1, R LED-ND, 24V-S, 4.5M (15 ft.) Cbl w/Flying Leads	€ 651	VP
NER-011600032	DF-150-1, W LED-ND, 24V-S, 4.5M (15 ft.) Cbl w/Flying Leads	€ 651	VP
NER-011600080	DF-150-1, B LED-ND, 24V-S, 4.5M (15 ft.) Cbl w/Flying Leads	€ 651	VP
NER-011600007	DF-150-1, R LED-D, 24V-S, 4.5M (15 ft.) Cbl w/Flying Leads	€ 651	VP
NER-011600042	DF-150-1, W LED-D, 24V-S, 4.5M (15 ft.) Cbl w/Flying Leads	€ 651	VP
NER-011600209	DF-150-3, R LED-ND, 24V-S, 4.5M (15 ft.) Cbl w/Flying Leads	€ 895	VP
NER-011600207	DF-150-3, W LED-ND, 24V-S, 4.5M (15 ft.) Cbl w/Flying Leads	€ 1,138	VP
Darkfield 200 Strobed			
NER-011603301	DF-200-1, R LED-D, 24V-S, 4.5M (15 ft.) Cbl w/Flying Leads	€ 1,301	VP
Power Supply/Controllers Darkfield Strobed			
NER-011504100	DSP60 24VDC 2.5A DIN Mount Power Supply	€ 154	A
98-000152-01	NL200 Lighting Controller (Front Panel Control Only)*	€ 610	A
98-000152-02	NL220 Lighting Controller (Ethernet Control Only)*	€ 870	A
98-000152-03	NL220F Lighting Controller (Ethernet Control Only with Fast Strobe Capability)*	€ 1,120	A
Power Supply Cordsets			
NER-030028300	AC Power Cord for DSPxx Power Supply, US	€ 44	A
NER-030028400	AC Power Cord for DSPxx Power Supply, EU	€ 44	A
NER-030028500	AC Power Cord for DSPxx Power Supply, UK	€ 44	A



Prices and Specifications Subject to Change

Tel: 425.226.5700
Fax: 425.226.8250

€100 Minimum Order

07-000001-01, Rev AC
www.microscan.com

Confidential Document

Page 105 of 109

MICROSCAN.

Product Demonstration Kits



Demo Kits		
Part Number	Description	List Price
98-000097-01**	Demo Kit, MS-1 (Note: kit contains 1 HD MS-1 and 1 LD MS-1)	€ 226
98-000055-05*	Demo Kit, MS-3	€ 595
98-000077-13*	Demo Kit, MS-Q (includes Bluetooth modem)	€ 695
98-000078-03*	Demo Kit, MS-860	€ 595
98-000102-01*	Demo Kit, QX 830/870	€ 425
98-000090-03*	Demo Kit, MS-890	€ 595
98-000086-02*	Demo Kit, Quadrus MINI	€ 595
98-000149-01*	Demo Kit, QX Hawk	€ 400
98-000095-02*	Demo Kit, MS-Connect 210	€ 895
FIS-HEDPMDemo**	Demo Kit, HE1525 Verifier - w HE1525HD, P/S, cables, stand, verifier lic., stack light	€ 4,395
FIS-UIDDPMDEMO_01 **	Demo Kit, UID DPM Verifier	€ 9,595
FIS-UIDLDPDEMO_01	Demo Kit, UID LDP Verifier	€ 7,195
GMV-2HF16-0SK0G	Starter Kit, with VS-1 1610TIH, Lenses, P/S, Ring Light, Cbls, Demo Stand	€ 6,840
98-000139-01	Visionscape GigE Demo Kit - SW Lic, VGA CCD Cmra, P/S, Trig Cble, Ethnt Cble, Len	€ 3,210
98-000199-01	Visionscape GigE Demo Kit - SW Lic, No Camera, P/S, Trig Cble, Ethnt Cble, Lens	€ 2,655
98-000207-01	NERLITE Starter Kit with HI-Brite, 24VDC	€ 4,575

Note: All 98-level Demo kit part #'s sold at 25% discount

* Kits require purchase of separate reader at 60% discount

** No separate reader purchase required

- Complete mounting system
- Interface cables and boxes
- Package detectors
- Power supplies and
- Marketing literature

Readers are not included and must be purchased separately with the exception of the MS-1, HE 1500, HE1600T, GigE Vision and UID Verfier Demo Kits

MICROSCAN.

Service Price List

Repair or replace list prices, representative part number shown. Accessory discounts apply

Auto ID Barcode Readers

Part Number	Description	List Price
FIS-0002-XXXX	MS-2 Repair	€ 150
FIS-0003-XXXX	MS-3 Laser Repair	€ 350
FIS-0710-XXXX	MS-710 Repair	€ 400
FIS-0911-XXXX	MS-9 Repair	€ 400
FIS-0820-XXXX	MS-820 Repair	€ 400
FIS-0830-XXXX	QX-830 Repair	€ 400
FIS-0860-XXXX	MS-860 Repair	€ 450
FIS-0870-XXXX	QX 870 Repair	€ 450
FIS-0890-XXXX	MS-890 Repair	€ 575

Auto ID 2D Readers and Verifiers

Part Number	Description	List Price
FIS-0004-XXXX	MS-4 Repair	€ 440
FIS-6300-XXXX	MINI Repair	€ 440
FIS-6700-XXXX	Quadrus EZ Repair	€ 450
FIS-HE15-XXXX	Hawkeye 1500 Series Repair	€ 450
FIS-6800-XXXX	QX Hawk Repair	€ 450
FIS-6700-XXXX	Quadrus Verifier Repair	€ 700
FIS-UD20-XXXX	LDP Verifier Repair	€ 790
FIS-UD10-XXXX	DPM Verifier Repair	€ 790

Auto ID Handhelds

Part Number	Description	List Price
n/a	HS-1 & HS-2D Repair not available	N/A
FIS-6150-XXXX	MS-Q, MS-Q Quadrus, and HE40T Repair	€ 350
FIS-HT45-XXXX	HE45T Repair	€ 400
FIS-6170-XXXX	Mobile Hawk Repair	€ 400

Machine Vision

Part Number	Description	List Price
GMV-1HT16-XXXX	Visionscape Smart Camera (1600T) Repair	€ 560
GMV-VS74-XXXX	Visionscape Framegrabber Board Repair/Replace (eg. VS740)	€ 2,500

NER Lighting

Part Number	Description	List Price
Call	NERLITE Repairs	Varies*
99-035002601	Beam Splitter, DOAL-25 Red & Blue	125
99-037000309	Beam Splitter, Custom DOAL-34X46 Red & Blue	83
99-037012300	Beam Splitter, Custom CDI-219	83
99-037009400	Beam Splitter, Custom DOAL-25 Blue/IR	83
99-037000305	Beam Splitter, DOAL-75 Red & Blue	83
99-037005002	Beam Splitter, DOAL-75 IR	200
99-037000310	Beam Splitter, DOAL-100 Red & Blue	83
99-037005001	Beam Splitter, DOAL-100 IR	200
99-037011500	Beam Splitter, DOAL-50 Red & Blue	83
99-037011501	Beam Splitter, DOAL-50 White	83
99-037011502	Beam Splitter, DOAL-50 IR	83
99-037000509	Beam Splitter, DOAL-100 White	125
99-037000508	Beam Splitter, DOAL-75 White	83
99-037000303	Beam Splitter, CDI-150 Red	83
99-037012900	Beam Splitter, CDI-150 White	83
99-035036100	Beam Splitter, CDI-200 Red	125
99-035036200	Beam Splitter, CDI-200 White	125
99-037000301	Beam Splitter, SCDI-25 Red	83
99-037000503	Beam Splitter, SCDI-25 White	83
99-035017500	Beam Splitter, SCDI-75 Red	125
99-035002720	Beam Splitter, SCDI-75 White	125
99-035030900	Beam Splitter, SCDI-50 Red	125
99-035032000	Beam Splitter, SCDI-50 White	125
99-035002701	Beam Splitter, DOAL 25 White	125
99-037013100	Beam Splitter, OAL-50 UV	200
99-035002707	Beam Splitter, DOAL 20 FO	125
99-035006300	AR (Anti-Reflective) Cover, DOAL-25	83
99-037012500	AR (Anti-Reflective) Cover, Custom CDI-219	83
99-035006400	AR (Anti-Reflective) Cover, DOAL-75	83
99-035006500	AR (Anti-Reflective) Cover, DOAL-100	200
99-035028900	AR (Anti-Reflective) Cover, DOAL-50	83
99-035000600	AR (Anti-Reflective) Cover, CDI-150 & CDI-200	125
99-035002900	AR (Anti-Reflective) Cover, SCDI-75	125
99-035031000	AR (Anti-Reflective) Cover, SCDI-50	125

*Contact Microscan service for specific pricing.

MICROSCAN

Legacy Products

Note: These products are not recommended for new applications, but are still actively shipping and supported.

MS-1 (16 bit) Series Scan Engine

Part Number	Description	List Price
FIS-0001-8001G	CCD Scan Engines, Low Density, 16 bit, 8-pack	€ 792
FIS-0001-8002G	CCD Scan Engines, High Density, 16 bit, 8-pack	€ 792

MS-2 (16 bit)

Part Number	Description	List Price
FIS-0002-0001G	MS-2, CCD, 16 bit, Low Density	€ 299
FIS-0002-0002G	MS-2, CCD, Low Density, 16 bit, Right Angle	€ 349
FIS-0002-0003G	MS-2, CCD, 16 bit, High Density	€ 299
FIS-0002-0004G	MS-2, CCD, High Density, 16 bit, Right Angle	€ 349

MS-710

Part Number	Description	List Price
FIS-0710-0001G	SCANNER,VIS,SL,RS232,BASE MNT.	€ 1,295
FIS-0710-0002G	SCANNER,VIS,SL,RS232,RAD,BASE MNT.	€ 1,345
FIS-0710-0005G	SCANNER, VIS, RASTER, RS232, BASE MOUNT	€ 1,295
FIS-0710-0006G	SCANNER,VIS,RASTER,RS232,RAD,BASE ,MNT.	€ 1,345
FIS-0710-0010G	SCANNER, VIS, SL, RS232, RAD, CASE MOUNT	€ 1,370
FIS-0710-0019G	SCANNER,VIS,RASTER,HD,RS232,CASE MNT.	€ 1,320
FIS-0710-0022G	SCANNER,VIS,SL,HD,RS232,BASE MNT.	€ 1,295
FIS-0710-0023G	SCANNER,VIS,RASTER,HD,RS232,BASE MNT.	€ 1,295
FIS-0710-0025G	SCANNER, VIS, RSTR, HD, RS232, RAD, BASE	€ 1,345
FIS-0710-0035G	SCANNER,VIS,SL,RS232,BASE MNT, SP. SW	€ 1,295
FIS-0710-0037G	SCANNER,VIS,RASTER,HD,RS232,RAD,BASE MNT	€ 1,345

MS-820

Part Number	Description	List Price
FIS-0820-0001G	SCANNER,VIS,SL,LD	€ 1,295
FIS-0820-0002G	SCNR,VIS,SL,HD	€ 1,295
FIS-0820-0003G	SCNR,VIS,RASTER,LD	€ 1,395
FIS-0820-0004G	SCNR,VIS,RASTER,HD	€ 1,395
FIS-0820-0009G	SCANNER, VIS, SL, MD	€ 1,295
FIS-0820-0010G	SCNR,VIS,RASTER,MD	€ 1,395
FIS-0820-0011G	SCANNER,VIS,SL,NHD	€ 1,295
FIS-0820-0012G	SCNR,VIS,RASTER,NHD	€ 1,395
FIS-0820-0014G	SCNR,VIS,RASTER,UHD	€ 1,395
FIS-0820-0015G	SCNR,VIS,RASTER,MD,SP.SW(Pharmacode)	€ 1,395
FIS-0820-0017G	SCNR,VIS,SL,LD,HT	€ 1,395
FIS-0820-0018G	SCNR,VIS,RASTER,LD,HT	€ 1,495

Quadrus MINI Series

Part Number	Description	List Price
FIS-6300-20005G	MINI,3MP,SD,232/422/485,5VDC,QMODE	€ 2,195
FIS-6300-20006G	MINI,3MP,MICRO D,232/422/485,5VDC,QMODE	€ 2,195
FIS-6300-20007G	MINI,3MP,SD,USB,5VDC,QMODE	€ 2,270
FIS-6300-2001G	3 Megapixel Imager, Standard Density, Serial, 5VDC	€ 2,095
FIS-6300-2002G	3 Megapixel Imager, Micro Density, Serial, 5VDC	€ 2,095
FIS-6300-2009G	3 Megapixel Imager, Standard Density, USB+I/O, 5VDC *	€ 2,170
FIS-6300-2010G	3 Megapixel Imager, Micro Density, USB+I/O, 5VDC *	€ 2,170
FIS-6300-4001G	MINI Hawk High Res, Standard Density, Serial, 5VDC	€ 1,895
FIS-6300-4002G	MINI Hawk High Res, High Density, Serial, 5VDC	€ 1,895
FIS-6300-4003G	MINI Hawk High Res, Ultra High Density, Serial, 5VDC	€ 1,895
FIS-6300-4004G	MINI Hawk High Res, Standard Density, USB+I/O, 5VDC*	€ 1,970
FIS-6300-4005G	MINI Hawk High Res, High Density, USB+I/O, 5VDC*	€ 1,970
FIS-6300-4006G	MINI Hawk High Res, Ultra High Density, USB+I/O, 5VDC*	€ 1,970
FIS-6300-5001G	MINI Hawk High Speed, Standard Density, Serial, 5VDC	€ 1,895
FIS-6300-5002G	MINI Hawk High Speed, Ultra High Density, Serial, 5VDC	€ 1,895
FIS-6300-5003G	MINI Hawk High Speed, Standard Density, USB+I/O, 5VDC*	€ 1,970
FIS-6300-5004G	MINI Hawk High Speed, Ultra High Density, USB+I/O, 5VDC*	€ 1,970

DMX Software

Part Number	Description	List Price
FIS-AU00-0XD2	DMX AUTOID+ STANDARD + USB DNGL	€ 4,123
FIS-DX00-0VF0	DMX VERIFIER+ OFF LINE 0300 BD/SW	€ 6,697

Prices and Specifications Subject to Change

€100 Minimum Order

Tel: 425.226.5700
Fax: 425.226.8250

07-00001-01, Rev AC
www.microscan.com

Confidential Document

Page 108 of 109

MICROSCAN.

NERLITE LALL 22X288 Continuous/Stobed

PART #	DESCRIPTION	List Price
NER-011655904	LALL-22x288, R1LED-ND10/P, CC,	€846
NER-011655914	LALL-22x288, W1LED-ND10/P, CC, 4.5M (15 ft.) Cbl w/Flying Leads	€845
NER-011654903	LALL-22x288, R1LED-ND10, CC, 4.5M	€805
NER-011654913	LALL-22x288, W1LED-ND10, CC, 4.5M (15 ft.) Cbl w/Flying Leads	€805
NER-011654909	LALL-22x288, R1LED-ND50,CC, 4.5M	€805
NER-011654919	LALL-22x288, W1LED-ND50, CC, 4.5M (15 ft.) Cbl w/Flying Leads	€846
NER-011658009	LA-288, R1LED-F, CC, 4.5M (15 ft.)	€805
NER-011658313	LA-288, W3 LED-F, CC, 4.5M (15 ft.) Cbl w/Flying Leads	€805

NERLITE LALL 47X47 Continuous/Stobed

PART #	DESCRIPTION	List Price
NER-011655009	LALL-47x47, R1 LED-ND50,CC, 4.5M (15 ft.) Cbl w/Flying Leads	€569
NER-011655014	LALL-47x47, W1LED-ND50, CC, 4.5M (15 ft.) Cbl w/Flying Leads	€570
NER-011655003	LALL-47x47, R1LED-ND10, CC, 4.5M (15 ft.) Cbl w/Flying Leads	€569
NER-011655013	LALL-47x47, W1LED-ND10, CC, 4.5M (15 ft.) Cbl w/Flying Leads	€569

NERLITE Legacy Controllers

Part Number	Description	List Price
NER-011503300	PP600 2-CHNL PUSH BUTTON MV LIGHTING CURRENT CONTROLLER	€699
NER-011503301	PP610 2 CHNL RS232 MV LIGHTING CURRENT CONTROLLER	€992
NER-011503800	LC-50, 0.35A CC Drvr, Term Blk, Input 40VDC Max	€171
NER-011503850	LC-100, 0.35A CC Drvr, Term Blk, Input 40VDC Max, w/ Intensity Adjust	€305
NER-011503801	LC-50, 0.7A CC Drvr, Term Blk, Input 40VDC Max	€171
NER-011503851	LC-100, 0.7A CC Drvr, Term Blk, Input 40VDC Max, w/ Intensity Adjust	€305
NER-011503802	LC-50, 1.05A CC Drvr, Term Blk, Input 40VDC Max	€171
NER-011503852	LC-100, 1.05A CC Drvr, Term Blk, Input 40VDC Max, w/ Intensity Adjust	€305
NER-011503803	LC-50, 1.4A CC Drvr, Term Blk, Input 40VDC Max	€305

Prices and Specifications Subject to Change

Tel: 425.226.5700
Fax: 425.226.8250

€100 Minimum Order

07-00001-01, Rev AC
www.microscan.com

Confidential Document

Page 109 of 109