

**MICROSCAN.**

# PRODUCT PRICING CATALOG

**Corporate Headquarters, USA**

Microscan Systems, Inc.  
700 SW 39th St  
Renton, WA  
98057  
Tel 425.226.5700  
Fax 425.226.8250

*CONFIDENTIAL*

[www.microscan.com](http://www.microscan.com)

*Rev AM February 2016*

# MICROSCAN.

<b>Contents</b>	<b>Page #</b>
Field Sales Contacts	3
Inside Sales Contacts	4
Technical Support and Service Contacts	4
Standard Terms and Conditions	5
Product Return Process	8
Auto ID Barcode Readers	9
MS-1 Series Scan Engines	9
MS-2 Series CCD Readers	10
MS-3 Series Scanners	13
MS-9 High Speed Scanner	22
QX-830 Compact Barcode Reader	27
QX-870 Industrial Barcode Reader	32
MS-890 Industrial Barcode Reader	36
<b>MicroHAWK Barcode Readers</b>	<b>43</b>
MS-2D Scan Engine	50
MINI Hawk Series of Imagers	51
QX Hawk	56
<b>Barcode Verification</b>	<b>59</b>
Barcode Verification Kits	59
UID DPM and LDP Verifiers	60
PanelScan	61
Auto ID Handhelds	62
HS-21 Handheld 2D Reader	62
HS-41X DPM Handheld 2D Reader	62
HS-51 Wireless Handheld 2D Reader	64
HS-51X Wireless Handheld 2D Reader	64
Mobile Hawk Handled DPM Imager	65
Auto ID Software, Connectivity, and Accessories	66
MS-Connect Series	66
Auto ID Product Accessories	69
Machine Vision Systems	71
Vision MINI	71
Vision MINI Xi	74
Vision HAWK	77
<b>Vision HAWK I-PAK System</b>	<b>78</b>
Visionscape GigE Solution	82
Machine Vision Accessories	83
<b>NERLITE © Machine Vision Lighting</b>	<b>84</b>
NERLITE Pharamlite	84
Smart DOAL	85
Smart Ring	87
MAX Lights	90
Area Arrays	92
Edge-to-Edge Backlights	93
Large Backlights	95
Dark Field Lights	96
Product Demo Kits	97
Service Price List	98
Legacy Products	99

# MICROSCAN.

## Field Sales Contacts

Region	Sales Managers	Address	Phone	Email
<b>Director, Americas Sales</b>	John Agapakis	486 Amherst St. Nashua, NH 03063	Tel: +603.821.4319 +508.314.4143 (M)	<a href="mailto:jagapakis@microscan.com">jagapakis@microscan.com</a>
<b>OEM Sales Manager (West)</b>	Jason Mack	2677 Magnolia Ave Long Beach, CA 90806	Tel: +1.425.757.1357 (M)	<a href="mailto:jmack@microscan.com">jmack@microscan.com</a>
<b>South Central U.S.A.</b>	Jamey Waldrop	486 Amherst St. Nashua, NH 03063	Tel: +1.469-507-9916 (M)	<a href="mailto:jwaldrop@microscan.com">jwaldrop@microscan.com</a>
<b>Western U.S.A.</b>	Bob Taplett	Microscan 700 SW 39th Street Renton, WA 98057	Tel: +1.206.617.9603 (M)	<a href="mailto:btaplett@microscan.com">btaplett@microscan.com</a>
<b>Southeastern U.S.A. / Caribbean</b>	Yamil Arias	2970 W 84th Street, Unit 10 Hialeah, FL 33018	Tel: +1.786-779-5544 (M)	<a href="mailto:varias@microscan.com">varias@microscan.com</a>
<b>Northeastern U.S.A. / Ontario, Canada</b>	Ted Rudel	486 Amherst St. Nashua, NH 03063	Tel: +973.289.0870 (M)	<a href="mailto:trudel@microscan.com">trudel@microscan.com</a>
<b>OEM Sales Manager (East)</b>	Kyle O'Brien	486 Amherst Street Nashua, NH 03063	Tel: +1.617.763.5606	<a href="mailto:kobrien@microscan.com">kobrien@microscan.com</a>
<b>Central Mexico</b>	Chris Moya	Huehuetlan 250, Lomas 1a seccion San Luis Potosi, 78210	Tel: +52.1.444.828.4848	<a href="mailto:cmoya@microscan.com">cmoya@microscan.com</a>
<b>Mexico Border</b>	Victor Martinez	Colonia Rinconada de las Torres III Ciudad Juarez Chihuahua 32575	Tel: +52.1.81.1577.8293 (M)	<a href="mailto:vmartinez@microscan.com">vmartinez@microscan.com</a>
<b>South and Central America</b>	Marcelo Georgini	Alameda Flamboyant, 55 Residencial Jardim dos Ipes	Tel: +55.11.97635.4070 (M)	<a href="mailto:mgeorgini@microscan.com">mgeorgini@microscan.com</a>
<b>Director, Europe Middle East &amp; Africa and Russia</b>	Bart Nollet	Lemelerberg 17 NL-2402 ZN Alphen aan den Rijn, The Netherlands	Tel: +31.172.4233.60	<a href="mailto:bnollet@microscan.com">bnollet@microscan.com</a>
<b>Austria, Switzerland, Liechtenstein</b>	Nico Hooiveld	Lemelerberg 17 NL-2402 ZN Alphen aan den Rijn, The Netherlands	Tel: +31.6.2220.9135 (M)	<a href="mailto:nhooiveld@microscan.com">nhooiveld@microscan.com</a>
<b>Germany</b>	Mirko Karsch	Lemelerberg 17 NL-2402 ZN Alphen aan den Rijn, The Netherlands	Tel: +49.160.8948618 (M)	<a href="mailto:mkarsch@microscan.com">mkarsch@microscan.com</a>
<b>Italy, Greece, Middle East, Spain, Morocco, Israel, Portugal, Turkey, Africa (not south)</b>	Rudy Pijper (temporary)	Lemelerberg 17 NL-2402 ZN Alphen aan den Rijn, The Netherlands	Tel: +31.172.4233.72	<a href="mailto:rpiiper@microscan.com">rpiiper@microscan.com</a>
<b>Sweden, Finland, Luxembourg, Belgium, Iceland, The Netherlands, Norway, Denmark</b>	Michael de Kegel	Zonnestrat 11 B.9300 Aalst Belgium	Tel: +32.474.3110.56 (M)	<a href="mailto:mdekegel@microscan.com">mdekegel@microscan.com</a>
<b>France</b>	Nicolas Rozencwajg	Lemelerberg 17 NL-2402 ZN Alphen aan den Rijn, The Netherlands	Tel: +34.637.80.7979 (M)	<a href="mailto:NRozencwajg@microscan.com">NRozencwajg@microscan.com</a>
<b>Eastern Europe, Baltic Countries, Georgia, Slovenia, Croatia, Azerbaijan</b>	Jarek Bukowski	ul. Wojska Polskiego 2D/2 05-220 Zielonka Poland	Tel: +48.600.135.855 (M)	<a href="mailto:jbukowski@microscan.com">jbukowski@microscan.com</a>
<b>United Kingdom, England, Scotland, Wales</b>	Michael Harkin	41 Rowan Park, Letterkenny Co Donegal Republic of Ireland	Tel: +353.83.171.4198 (M)	<a href="mailto:mharkin@microscan.com">mharkin@microscan.com</a>
<b>Ireland, South Africa</b>	Rudy Pijper (temporary)	Lemelerberg 17 NL-2402 ZN Alphen aan den Rijn, The Netherlands	Tel: +31.172.4233.72	<a href="mailto:rpiiper@microscan.com">rpiiper@microscan.com</a>
<b>EU Private Label Companies</b>	Nico Hooiveld	Lemelerberg 17 NL-2402 ZN Alphen aan den Rijn, The Netherlands	Tel: +31.6.2220.9135 (M)	<a href="mailto:nhooiveld@microscan.com">nhooiveld@microscan.com</a>
<b>Director, Asia Pacific / Australia, New Zealand, Fiji, Guam, Taiwan</b>	Eu-Gene Ng	31 Kaki Bukit Road 3, #05-08 TechLink, Singapore 417818	Tel: +65.9090.8558	<a href="mailto:eng@microscan.com">eng@microscan.com</a>
<b>Singapore, Indonesia, Philippines, Vietnam, Thailand, Malaysia, SEA Countries</b>	Janel Kang	31 Kaki Bukit Road 3, #05-08 TechLink, Singapore 417818	Tel: +65.9880.8980	<a href="mailto:jkang@microscan.com">jkang@microscan.com</a>
<b>Korea</b>	Moon Soo Kim	8F, SH Energy Bldg., 16.6, Sunae-dong, Bundang-gu, Seongnam City, Kyeonggi-Do, Korea, 463-825	Tel: +82.31.786.0835 +82.10.3784.6437 (M)	<a href="mailto:mkim@microscan.com">mkim@microscan.com</a>
<b>Japan</b>	Moon Soo Kim	8F, SH Energy Bldg., 16.6, Sunae-dong, Bundang-gu, Seongnam City, Kyeonggi-Do, Korea, 463-825	Tel: +82.31.786.0835 +82.10.3784.6437 (M)	<a href="mailto:mkim@microscan.com">mkim@microscan.com</a>
<b>India, Pakistan, Nepal, Sri Lanka, Bangladesh, Bhutan</b>	Vinay Bhasin	BPTP Park Centra, 201-B, 2nd Floor Sector-30, Gurgaon, Haryana 122 002 India	Tel: +91.981.1412271 (M)	<a href="mailto:vbhasin@microscan.com">vbhasin@microscan.com</a>
<b>Director, China / Beijing, Guangdong, Shandong</b>	Richard Cheng	Beijing Shougang International Bldg. Rm. 1818, No.60 North Street, Xizhimen Haidan District, Beijing 100088 P.R.C.	Tel: +86.10.5993.5766 +86.186.0006.2619 (M)	<a href="mailto:rcheng@microscan.com">rcheng@microscan.com</a>
<b>China – East (Hunan, Jiangxi, Shanghai, Zhejiang)</b>	Aaron Mao (temporary)	Unit 201, XinAn Plaza, Building 13, No.99 Tianzhou Road, Shanghai 200233 P.R.China	Tel: +86.185.0168.3318 (M)	<a href="mailto:AMao@microscan.com">AMao@microscan.com</a>

# MICROSCAN.

China – Midwest & South (Foshan, Guangdong, Guangxi, Guangzhou, Hong Kong, Huizhou, Macau, Shenzhen, Zhuhai)	Aaron Zhang	5D Hanjing Plaza, No. 23 Dengliang Road, Nanshan District, Shenzhen	Tel: +86.180.3801.0701 (M)	<a href="mailto:azhang@microscan.com">azhang@microscan.com</a>
China – North & Northeast (Beijing, Gansu, Hebei, Heilongjiang, Inner Mongolia, Jilin, Liaoning, Nei Mongol, Ningxia, Qinghai, Shaanxi, Shanxi, Shandong, Tianjin, Tibet, Xinjiang, Xizang)	Jog Yang	Rm.0908, Ruida Building, No.74, Lugu road, Shijingshan District, Beijing, 100400, P.R.C	Office: +86 10 5993.6887 Mobile: +86 186.1196.7717	<a href="mailto:jyang@microscan.com">jyang@microscan.com</a>
China – Southeast (Dongguan, Fujian)	Johnny Deng	Shenzhen Rep. Office Unit 1, 27th Floor, Tianli Center Commerce Plaza, Nanshan District, Shenzhen, 518054 P.R.C.	Tel: +86.186.6621.9571 (M)	<a href="mailto:JDeng@microscan.com">JDeng@microscan.com</a>
China – East (Anhui, Changshu, Changzhou, Hefei, Henan, Hubei, Jiangsu, Maanshan, Nanjing, Suqian, Suzhou, Wuhu, Wuxi, Xuzhou, Yancheng, Yangzhou)	Aaron Mao	Unit 201, XinAn Plaza, Building 13, No.99 Tianzhou Road, Shanghai 200233 P.R.China	Tel: +86.185.0168.3318 (M)	<a href="mailto:AMao@microscan.com">AMao@microscan.com</a>
China – North & Northwest (Chongqing, Guizhou, Sichuan, Yunnan)	Bob Liu			<a href="mailto:bliu@microscan.com">bliu@microscan.com</a>

## Customer Service Contacts

Region	Inside Sales Managers	Address	Phone	Email
Sales Operations Manager - Americas, AP, EMEA	Andrew Edgerton	Microscan 700 SW 39th Street Renton, WA 98057	Tel: +1.425.203.4921 Fax: +1.425.226.8250	<a href="mailto:Aedgerton@microscan.com">Aedgerton@microscan.com</a>
Americas	Matt Scrichfield, Rita Petrarchin	Microscan 700 SW 39th Street Renton, WA 98057	Tel: +1.425.203.4844/ +1.800.251.7711 Fax: +1.425.226.8250	<a href="mailto:AMERICAS_Orders@microscan.com">AMERICAS_Orders@microscan.com</a>
Asia Pacific	Ray Wang	31 Kaki Bukit Road 3 #04-05/07 TechLink, Singapore 417818	Tel: +65.6846.1214 Fax: +65.6846.4641	<a href="mailto:ASIA_Orders@microscan.com">ASIA_Orders@microscan.com</a>
China	Ray Wang	Unit 201, XinAn Plaza, Bldg. 13, No.99 Tianzhou Road, Shanghai, 200233, P.R.C.	Tel: +86.21.6113.3752 Fax: +86.21.6113.3683	<a href="mailto:CHINA_orders@microscan.com">CHINA_orders@microscan.com</a>
Europe, Russia, Middle East, Africa	Rudy Pijper	Lemelerberg 17 NL-2402 ZN Alphen aan den Rijn, The Netherlands	Tel: +31.172.4233.72 Fax: +31.172.4233.66	<a href="mailto:EMEA_Orders@microscan.com">EMEA_Orders@microscan.com</a>

## Technical Support and Service Contacts

Support/Service	Contact	Address	Phone	Email
Distributor Business Development	Matt Scrichfield, Global Channel Manager	Microscan 700 SW 39th Street Renton, WA 98057	Tel: +425.203.4955 eFax: +1.425.988.7093	<a href="mailto:partners@microscan.com">partners@microscan.com</a>
Service Contracts, Component Orders (piece parts, returns, obtain RMA #)	Contact your regional Customer Service representative.			
United States/Canada/Mexico/Latin America Help Desk	Auto ID/General			<a href="mailto:helpdesk@microscan.com">helpdesk@microscan.com</a>
	Lighting		Tel: +1.425.203.4841 / +1.800.251.7711	<a href="mailto:nerlitesupport@microscan.com">nerlitesupport@microscan.com</a>
	Vision			<a href="mailto:visionsupport@microscan.com">visionsupport@microscan.com</a>
Asia Pacific Help Desk	General		Tel: +65.6846.1214	<a href="mailto:apac_support@microscan.com">apac_support@microscan.com</a>
Europe, Russia, Middle East, Africa Help Desk	General		Tel: +31.172.4233.63	<a href="mailto:emea_support@microscan.com">emea_support@microscan.com</a>

Note: Only products which are currently active (recommended for new applications) are shown in this product pricing catalog. Information regarding legacy and obsolete products is available by calling the sales/support contacts listed at the top of this page. Reference the end of the catalog for legacy product and service pricing.

MICROSCAN SYSTEMS, INC. TERMS AND CONDITIONS OF SALE For the purposes of these TERMS AND CONDITIONS OF SALE ("Terms and Conditions"), "contract" means the agreement between Microscan Systems, Inc. ("Supplier") and Buyer arising as a result of Buyer's submission of an order for Supplier's products. Individually, Supplier and Buyer are each a party; collectively, they are parties. Such contract shall be deemed to incorporate and be governed by these Terms and Conditions. No term or condition of Buyer's order additional to or different from these Terms and Conditions shall become part of the contract unless explicitly agreed to in writing by Supplier. These Terms and Conditions may be revised by Supplier from time to time, in Supplier's sole discretion. Supplier will notify Buyer of revisions to these Terms and Conditions forty-five (45) days prior to the revised Terms and Conditions taking effect. Buyer's failure to object in writing to any provision contained in any communication from Supplier before the "effective date" shall be construed as acceptance of any such provision and shall not be construed as a waiver of these Terms and Conditions.

1. Quotations and Orders: Prices, specifications and dates for delivery referenced in Supplier's quotations are for information purposes only and shall not be binding on Supplier until all technical requirements have been agreed upon and Supplier has accepted Buyer's order. All orders must be bona fide commitments showing definite prices and quantities and mutually agreed shipping dates. Quotations terminate if the Buyer does not place an order with the Supplier within 60 days.

2. Taxes: Prices and fees do not include taxes, transport charges, insurance and export and/or import charges or duties including without limitation sales tax, value added tax, use or excise taxes, applicable to the Products sold and or Services supplied under any Contract, which taxes and other charges may, in the Supplier's discretion, be added by the Supplier to the sale price and or fees or billed separately and which taxes and other charges shall be paid by the Buyer unless the Buyer provides the Supplier with any necessary tax exemption certificate. Unless otherwise agreed in writing, the Buyer shall be liable to pay the Supplier's charges for transport, packaging, insurance and export and/or import clearance.

3. Shipment and Delivery: All products will be shipped EXW (Ex Works) Supplier's premises. Delays of convenience, within fourteen (14) days of the acknowledged shipping dates, will be invoiced at 50% of order value on originally scheduled ship date. Delays for convenience will not be accepted beyond sixty (60) days. Orders containing custom "FIS" products cannot be delayed or cancelled after receipt of Sales Order Acknowledgement. In the absence of specific instructions, Supplier will select the carrier and ship "collect." Title and risk of loss or damage to any product shall pass from Supplier to Buyer upon the product being packed ready for delivery to carrier. Any claims for loss, damage or mis-delivery thereafter shall be filed with the carrier. All products shall be deemed finally inspected and accepted within ten (10) days after delivery unless notice of rejection is given by Buyer in writing to Supplier within such period. Acceptance shall constitute acknowledgement of full performance by Supplier of all obligations under the contract except as stated in Section 9 (Limitation of Warranties). The Supplier reserves the right to make delivery of Products by installments and to tender a separate invoice in respect of each installment. When delivery is to be by installments or the Supplier exercises its right to deliver by installments or if there is delay in the delivery of any one or more installments for whatever reason the Buyer shall not be entitled to treat the Contract as a whole as repudiated. All products returned are subject to the then current Microscan Product Return Process Policy. Microscan reserves the right to change this policy at will.

4. Terms of Payment: Each shipment shall be a separate transaction and Buyer will be invoiced on date of dispatch. Unless otherwise stated on Supplier's invoice, terms of payment shall be net thirty (30) days from date of invoice. All amounts due shall be paid in full by the Buyer without deduction, withholding, set-off or counterclaim for any reason whatsoever, whether arising in contract, tort (including negligence), breach of statutory duty or otherwise, save as may be required by law. Supplier may, in its sole discretion, determine at any time that the Buyer's financial condition requires full or partial payment in advance or the provision of security for payment by the Buyer in a form satisfactory to the Supplier.

If the Buyer fails to make any payment when due then, without prejudice to any other rights and remedies available to the Supplier, the Supplier may at its option: (i) treat the Contract as repudiated by the Buyer, to suspend or cancel further delivery of Products and/or the provision of Services or any part thereof under that Contract or any other Contract between them and claim damages and/or receive reasonable cancellation fees; or (ii) affirm the Contract and recover, in addition to the payment, interest thereon at the lesser of 1-1/2% per month or the highest rate permitted by law along with reasonable attorney's fees and costs associated with recovering such outstanding payments.

5. Security Interest: Buyer hereby grants to Supplier a purchase money security interest in all Supplier products sold to Buyer as security for the punctual performance by Buyer of all of its obligations hereunder. Supplier may, at its discretion, file the Buyer's order and these terms and conditions as a financing statement to evidence and perfect said security interest.

6. Force Majeure: Notwithstanding anything to the contrary in these Conditions, the Supplier shall not be liable to the Buyer for any loss or damage which may be suffered by the Buyer as a direct or indirect result of the supply of Products or Services being prevented, delayed or rendered uneconomic by reason of circumstances or events beyond the Supplier's reasonable control. If due to such circumstances or events the Supplier has insufficient stocks to meet all its commitments the Supplier may apportion available stocks between its customers at its sole discretion.

7. Equipment: Supplier may modify specifications provided the modifications do not adversely affect the performance of the equipment to be supplied under the contract ("the equipment"). In addition, Supplier may furnish suitable substitutes for materials unobtainable because of priorities or regulations established by government authority, or non-availability of materials from suppliers. All descriptions, illustrations and any other information relating to the Products contained in the Supplier's catalogues, brochures, price lists, advertising material and any sales or other particulars or literature are made by way of general description, are approximate only and for the general guidance and information of the Buyer. They shall not constitute warranties or representations by the Supplier nor shall they form part of any Contract.

8. Software and Proprietary Information: Buyer acknowledges and agrees that all property, copyright and other intellectual property rights in any work or tangible deliverable item arising from or created, produced or developed by the Supplier under or in the course of provision of any Services (the "Works"), wherever in the world enforceable, including without limitations all right title and interest in and to the Services and all documents, data, drawings, specifications, articles, sketches, drawings, reports, inventions, improvements, modifications, discoveries, tools, scripts and other items relating thereto shall immediately upon creation or performance vest in and shall be and remain the sole and exclusive property of the Supplier and the Buyer shall acquire no right, title or interest in or to the same except as expressly stated in these Conditions. The Supplier grants to the Buyer a revocable, non-exclusive, non-transferable license to use such of the Works as are necessary, and to the extent necessary, for the Buyer to obtain and utilize the intended benefit of the Services. Each party undertakes to keep confidential, not use for its own purposes and not without the prior written consent of the other party disclose to any third party, any information of a confidential nature belonging or relating to the other party which may become known to it unless such information is or becomes public knowledge (other than by breach of this Section) or is required to be disclosed by order of a competent authority.

9. Limited Warranty; Remedies; Exclusions:

A. Supplier warrants that all equipment shall be free from defects in material and workmanship under normal use for a period of one year from date of shipment to Buyer save that Supplier does not warrant that operation of the software will be completely uninterrupted or error free or that all program errors will be corrected. Buyer shall be responsible for determining that the equipment is suitable for Buyer's use and that such use

complies with any applicable local, state or federal law. Provided that Buyer notifies Supplier in writing of any claimed defect in the equipment immediately upon discovery and any such equipment is returned to the original shipping point, transportation charges prepaid, within one (1) year from date of shipment to Buyer and upon examination Supplier determines to its satisfaction that such equipment is defective in material or workmanship, i.e. contains a defect arising out of the manufacture of the equipment and not a defect caused by other circumstances, including, but not limited to accident, misuse, unforeseeable use, neglect, alteration, improper installation, improper adjustment, improper repair, or improper testing, Supplier shall at its option repair or replace the equipment, shipment to Buyer prepaid. Supplier shall have reasonable time to make such repair or to replace such equipment. Any repair or replacement of equipment shall not extend the period of warranty. This warranty is limited to a period of one (1) year, without regard to whether any claimed defects were discoverable or latent on the date of shipment.

B. If Buyer shall fail to pay when due any portion of the purchase price or any other payment required from Buyer to Supplier under this contract or otherwise, all warranties and remedies granted under this Section 9 may, at Supplier's option, be terminated.

C. THE FOREGOING WARRANTY IS EXCLUSIVE AND IN LIEU OF ALL OTHER REPRESENTATIONS, WARRANTIES AND COVENANTS, EXPRESS OR IMPLIED, WITH RESPECT TO THE EQUIPMENT AND ANY DEFECTS THEREIN OF ANY NATURE WHATSOEVER, INCLUDING WITHOUT LIMITATION WARRANTIES OF MERCHANTABILITY OR FITNESS FOR A PARTICULAR PURPOSE. SUPPLIER SHALL NOT BE LIABLE FOR, AND BUYER ASSUMES ALL RISK OF, ANY ADVICE OR FAILURE TO PROVIDE ADVICE BY SUPPLIER TO BUYER REGARDING THE EQUIPMENT OR BUYER'S USE OF THE SAME. UNDER NO CIRCUMSTANCES SHALL SUPPLIER BE LIABLE TO BUYER UNDER ANY TORT, NEGLIGENCE, STRICT LIABILITY, OR PRODUCT LIABILITY CLAIM AND BUYER AGREES TO WAIVE SUCH CLAIMS. SUPPLIER'S SOLE AND EXCLUSIVE LIABILITY, AND BUYER'S SOLE AND EXCLUSIVE REMEDY, FOR ANY NONCONFORMITY OR DEFECT IN THE PRODUCTS OR ANYTHING DONE IN CONNECTION WITH THIS CONTRACT, IN TORT (INCLUDING NEGLIGENCE), CONTRACT, OR OTHERWISE, SHALL BE AS SET FORTH IN SUBSECTION 9A HEREOF AS LIMITED BY SUBSECTION 9B HEREOF. THIS EXCLUSIVE REMEDY SHALL NOT HAVE FAILED OF ITS ESSENTIAL PURPOSE (AS THAT TERM IS USED IN THE UNIFORM COMMERCIAL CODE) PROVIDED THAT THE SUPPLIER REMAINS WILLING TO REPAIR OR REPLACE DEFECTIVE EQUIPMENT (AS DEFINED IN SUBSECTION 9A) WITHIN A COMMERCIALY REASONABLE TIME AFTER RECEIVING SUCH EQUIPMENT. BUYER SPECIFICALLY ACKNOWLEDGES THAT SUPPLIER'S PRICE FOR THE EQUIPMENT IS BASED UPON THE LIMITATIONS OF SUPPLIER'S LIABILITY AS SET FORTH IN THIS CONTRACT.

10. Patents: If any claim is made against the Buyer that the Products or Services infringe any third party's US patent, the Supplier shall indemnify the Buyer against all losses, damages, costs and expenses awarded against, or incurred by, the Buyer in connection with the claim provided that: (i) the Supplier is given full control of any proceedings or negotiations in connection with any such claim; (ii) the Buyer shall give the Supplier all reasonable assistance for the purposes of any such proceedings or negotiations; (iii) except pursuant to a final award, the Buyer shall not pay or accept any such claim, or compromise any such proceedings without the consent of the Supplier; (iv) the Buyer shall do nothing which would or might vitiate any insurance policy or cover which the Buyer may have in relation to such infringement and shall use its best endeavors to recover any sums due thereunder and this indemnity shall not apply to the extent that the Buyer recovers any sums under any such policy or cover; (v) the Supplier shall be entitled to the benefit of, and the Buyer shall accordingly account to the Supplier for, all damages and costs (if any) awarded in favor of the Buyer which are payable by, or agreed with the consent of the Buyer (which consent shall not be unreasonably withheld) to be paid by, any other party in respect of any such claim; and (vi) without prejudice to any duty of the Buyer at common law, the Supplier shall be entitled to require the Buyer to take such steps as the Supplier may reasonably require to mitigate or reduce any such loss, damages, costs or expenses for which the Supplier is liable to indemnify the Buyer under section 11, which steps may include (at the Supplier's option) accepting from the Supplier non-infringing, modified or replacement Products or Services.

The Supplier shall have no obligation or liability under Section 11 insofar as the infringement arises from: (i) any additions or modifications made to the Products and/or Services in question, otherwise than by the Supplier or with its prior written consent; (ii) any information provided by the Buyer to the Supplier including without limitation any specification; (iii) performance by the Supplier of any work required to any Products, or performance of any Services, in compliance with the Buyer's requirements or specification; (iv) a combination with or an addition to equipment not manufactured or developed by the Supplier; or (v) the use of Products beyond that scope established by the Supplier or approved in writing by the Supplier.

11. Limitation of Liability and Buyer Indemnity: NOTHING IN THESE CONDITIONS SHALL EXCLUDE OR LIMIT THE SUPPLIER'S LIABILITY TO THE EXTENT THAT THE SAME MAY NOT BE EXCLUDED OR LIMITED AS A MATTER OF LAW. IN NO EVENT, REGARDLESS OF THE FORM OF ACTION, SHALL SUPPLIER BE LIABLE FOR ANY SPECIAL, INDIRECT, INCIDENTAL, OR CONSEQUENTIAL LOSSES OR DAMAGES ARISING OUT OF THE SALE OF ITS PRODUCTS TO BUYER OR ARISING OUT OF ANYTHING DONE IN CONNECTION WITH THE CONTRACT, INCLUDING, BUT NOT LIMITED TO, LOSSES OR DAMAGES ARISING OUT OF CLAIMS FOR LOSS OF USE, LOSS OF INCOME, LOSS OF REVENUE, BUSINESS, GOODWILL, OR PROFITS, AND CLAIMS ARISING OUT OF THIRD-PARTY ACTIONS, REGARDLESS OF WHETHER SUCH THIRD-PARTY ACTIONS, OR ANY OTHER CLAIMS, LOSSES, OR DAMAGES, WERE REASONABLY FORESEEABLE TO BUYER OR SUPPLIER. BUYER'S EXCLUSIVE REMEDY ARISING OUT OF ITS PURCHASE AND USE OF SUPPLIER'S PRODUCTS, OR ARISING OUT OF ANYTHING DONE IN CONNECTION WITH THE CONTRACT, SHALL BE FOR DAMAGES AND NO CLAIM OR CLAIMS OF ANY KIND, WHETHER BASED UPON CONTRACT, WARRANTY, TORT (INCLUDING, BUT NOT LIMITED TO, NEGLIGENCE, WARRANTY AND STRICT LIABILITY), STATUTORY OR REGULATORY PROVISIONS, INDEMNITY, CONTRIBUTION, OR OTHERWISE, SHALL BE GREATER IN AMOUNT IN AGGREGATE THAN THE PURCHASE PRICE OF THE PRODUCTS IN RESPECT OF WHICH DAMAGES ARE CLAIMED.

Buyer shall indemnify and hold harmless Supplier, its officers, agents, employees, subsidiaries, parents, affiliates and insurers from and against any and all liabilities, damages, losses, claims, lawsuits, including costs and expenses in connection therewith, for death or injury to any persons or loss of any property whatsoever, caused in any manner by Buyer's possession, use or operation of equipment.

12. Non-Waiver; Remedies: No waiver of any breach of these Terms and Conditions shall constitute a waiver of any prior or subsequent breach of any similar or dissimilar provision or a modification of the contract. All Supplier rights and remedies, whether evidenced hereby or by any other contract or document, shall be cumulative and nonexclusive and may be exercised singularly or concurrently.

13. Applicable Law; Dispute resolution; Severability: The validity, performance and construction of the contract shall be governed by the laws of the State of Washington, without regard to conflicts of law principles. The parties agree that the United Nations Convention on Contracts for the International Sale of Goods is specifically excluded from application to these Conditions. Any claim, dispute or other matter in question arising out of or relating to this provision, shall be subject to mediation as a condition precedent to binding dispute resolution. Any mediation under this Agreement shall be administered by the American Arbitration Association in accordance with its mediation procedures then in effect. The parties shall equally share the mediator's fee and any filing fees. If the parties do not resolve their dispute through mediation, the dispute shall be resolved in mandatory arbitration pursuant to an arbitration administered by the American Arbitration Association in accordance with its arbitration rules then in effect. The arbitrator(s) award shall be final and judgment may be entered upon it in accordance with applicable in any court having jurisdiction thereof. Any mediation or arbitration shall be held in Seattle, WA. If Supplier is the substantially prevailing party, Supplier will be entitled to and awarded, in addition to any other relief, its reasonable costs incurred, including attorneys' fees. Notwithstanding any attempts to resolve differences, any action brought by Buyer against Supplier arising out of this contract or Buyer's purchase and use of the equipment must be commenced within one year after such use occurs and in no event later than two years after date of shipment of such equipment. Nothing in this Section 13 shall prevent any party from having recourse to a court of competent jurisdiction for the sole purpose of seeking a preliminary

# MICROSCAN.

injunction or such other provisional judicial relief as it considers necessary. If any provision of these Terms and Conditions is held to be unenforceable, such holding shall not affect the enforceability of any other provision.

14. Government Contracts: If the products to be furnished under the contract are to be used in the performance of a United States Government contract or subcontract, the Government contract number and a statement to that effect shall appear on Buyer's purchase order. If Buyer's purchase order includes all of said information and if said order is accepted in writing by Supplier, then those clauses of the applicable Government procurement regulations which are mandatorily required by Federal statute or regulation to be included in this contract shall be incorporated herein by reference. In all other events, said clauses shall not be incorporated herein by reference.

15. Export: Regardless of any disclosure made by Buyer to Supplier of the ultimate destination of Supplier product(s), Buyer shall not export either directly or indirectly any Supplier product, or any system incorporating said product(s) either in contravention of statute or regulation or without first obtaining all required licenses and permits from the United States Department of Commerce and any other relevant agencies or departments of the United States government.

16. Assignment: The contract shall be binding upon and inure to the benefit of the parties and their respective legal representatives, successors and permitted assigns. The contract is personal to Buyer, and Buyer may not assign any of its rights or delegate any of its obligations hereunder, in whole or in part, without the prior written consent of Supplier, which Supplier may withhold for any reason or no reason.

17. Entire Agreement; Modifications: This contract constitutes the entire agreement between the parties as relates to the sale of the equipment and no addition to or modification of any provision of said agreement, together with any agreement to which these Terms and Conditions are an exhibit or schedule, and shall be binding upon Supplier unless agreed to in writing by Supplier.

18. Notices: All notices given under the contract shall be in writing, mailed by first class mail, certified or registered, or delivered by hand to the address of the other party set forth in the quotation or to such other address as such party may designate from time to time by such notice, and shall take effect when received.

06-000031-01 Rev. E

# MICROSCAN.

## Product Return Process

The following describes the process for returning products. This is broken down into two main processes:

1. **RMA (Return Material Authorization) process for NEW PRODUCT**
2. **RMA (Return Material Authorization) process for IN SERVICE PRODUCT**

### RMA (Return material Authorization) process for NEW PRODUCT

This process is used to return a new product because it failed to work on initial startup (damaged on arrival) or the end customer wants to return the product to stock.

- **Damaged on arrival** = Out of box failures, determined at time of initial power up and within 30 days of shipment from Microscan.
  1. Contact your inside sales representative with the FIS part number, serial number, original sales order and/or purchase order and description of failure.
  2. RMA# issued only by Inside Sales Rep. This number **MUST** appear on the outside of the shipping container and on all related paperwork. Product must be returned in its original factory packaging. If defective scanner is covered under our standard warranty terms, customers ORIGINAL SALES ORDER will be credited.
  3. If required, a REPLACEMENT sales order can be entered immediately for ASAP shipment. NOTE - Replacement scanner is processed as a NEW order and NEW INVOICE is generated at time of shipment.
- **Returns to stock** = Must be requested within 30 days of original shipment date from Microscan.
  1. Contact your inside sales representative with FIS or accessory part number, serial number (if applicable), original sales order and/or purchase order and reason for return. Upon approval all returns are subject to a standard 20% restocking fee.
  2. RMA# issued by Inside Sales Rep. This number **MUST** appear on the outside of the shipping container and on all related paperwork. Product must be returned in its original factory packaging.

### RMA (return material authorization) process for IN SERVICE PRODUCT

This process is used to return a product that needs to be repaired.

- **IN WARRANTY**
  1. Contact Customer Service (425-226-5700) with the part number, serial number, description of failure, and request a return material authorization form (RMA).
  2. The RMA# issued by a Customer Service Representative **MUST** appear on the outside of the shipping container and on all related paperwork.
- **OUT OF WARRANTY**
  1. Contact Customer Service as per "In Warranty" (above) and request a return material authorization form. Upon completion of this document, return it along with your confirming PURCHASE ORDER and an RMA# will then be issued authorizing the return of the product.
  2. The RMA# issued by a Customer Service Representative **MUST** appear on the outside of the shipping container and on all related paperwork.

**All RMAs, warranty and non warranty will be cancelled in 60 days from issuing date if not received.**  
If a warranty repair is changed to a non warranty repair, a purchase order must be received within 30 days of notification or the item will be returned to the sender.



# MICROSCAN

## Auto ID Barcode Readers

### MS-1 Series Scan Engines

#### Read Ranges \*

Narrow Bar	Laser High Density
5 mil (.127 mm)	0.6" to 2.1" (15 to 53 mm)
10 mil (.254 mm)	0.6" to 4.1" (15 to 104 mm)
15 mil (.381 mm)	0.6" to 5.1" (15 to 130 mm)
Narrow Bar	Laser Low Density
5 mil (.127 mm)	1.8" to 3.6" (46 to 91 mm)
10 mil (.254 mm)	1.8" to 7.0" (46 to 178 mm)
20 mil (.508 mm)	1.8" to 12.6" (46 to 320 mm)



2014-2015 YTD  
Best Sellers  
1) FIS-0001-8004G

\*\*\* NOTE: MS1 16 Bit Scan Engines are available in our Legacy Section of this Price Book.

\*\*Important Pricing Discount Note\*\* Product discounts are applied based on the Product TYPE code shown in the TYPE column below.

Product Type codes are defined as: P = PRODUCT Discount, A = ACCESSORY Discount, VP = VISION PRODUCT Discount.

A Product Type code modified with L signifies Legacy Status (refer to Legacy section of this catalog).

Refer to your Partner Agreement for the actual discount percentage by Product Type.

#### MS-1 Series Scan Engines

Part Number	Description	List Price	Type
FIS-0001-8003G	MS-1 CCD Scan Engines, LD, 32-Bit, 8-Pack	\$1,290	P
FIS-0001-8004G	MS-1 CCD Scan Engines, HD, 32-Bit, 8-Pack	\$1,290	P

#### Accessories

Part Number	Description	List Price	Type
98-000097-02	MS-1 Demo Kit (Contains One HD MS-1 & One LD MS-1)	\$295	**
98-000051-01	IC-3USB Interface Kit, USB-to-Serial, 15-Pin	\$91	A

\*\* This demo kit contains readers and is discounted 25%.

#### Package Detector/Sensor

Part Number	Description	List Price	Type
99-000017-01	Photo Sensor, Visible, NPN, Dark ON	\$193	A
99-000017-02	Photo Sensor, Visible, NPN, Light ON	\$193	A

#### Software/Manuals

Part Number	Description	List Price	Type
37-000010-01	Tools Drive, User Documentation, Software	\$30	A

# MICROSCAN.

## MS-2 Series CCD Readers

### Read Ranges

Narrow Bar	High Density
5 mil (.127 mm)	0.4" to 1.9" (10 to 48 mm)
10 mil (.254 mm)	0.4" to 3.9" (10 to 99 mm)
15 mil (.381 mm)	0.4" to 4.9" (10 to 124 mm)
Narrow Bar	Low Density
5 mil (.127 mm)	1.6" to 3.4" (36 to 84 mm)
10 mil (.254 mm)	1.6" to 6.8" (36 to 188 mm)
20 mil (.508 mm)	1.6" to 12.4" (36 to 325 mm)



2014-2015 YTD  
Best Sellers

- 1) FIS-0002-0007G
- 2) FIS-0002-0005G

\*\*\* NOTE: MS2 16 Bit Scan Engines are available in our Legacy Section of this Price Book.

### MS-2 (32 bit)

Part Number	Description	List Price	Type
FIS-0002-0005G	MS-2, LD, 32-Bit, RS-232 Serial	\$490	P
FIS-0002-0006G	MS-2, LD, 32-Bit, USB	\$490	P
FIS-0002-0007G	MS-2, HD, 32-Bit, RS-232 Serial	\$490	P
FIS-0002-0008G	MS-2, HD, 32-Bit, USB	\$490	P

### Accessories

Part Number	Description	List Price	Type
FIS-0210-0001G	MS-Connect 210, Connectivity Box with Display	\$849	A
FIS-0210-0002G	MS-Connect 210, Connectivity Box	\$549	A
FIS-0210-0003G	MS-Connect 210, Connectivity Box with Display & Ethernet	\$949	A
FIS-0210-0004G	MS-Connect 210, Connectivity Box with Ethernet	\$849	A
98-000013-04	Relay Mod., 120VAC, 3A Output, Series 70, Type SM, for MS-Connect 210 & MS-890	\$52	A
98-000013-05	Relay Mod., 240VAC, 3A Output, Series 70, Type SM, for MS-Connect 210 & MS-890	\$52	A
98-000013-06	Relay Module, 24VDC, 3 Amp Output, Series 70, Type SM, for MS-Connect 210,MS-890	\$52	A
61-000127-02	Cable, MS-2-to-MS-Connect 210, 6 ft.	\$110	A
FIS-0001-0030G	IB-3PC Keyboard Wedge/Interface Box	\$165	A
98-000051-01	IC-3USB Interface Kit, USB-to-Serial, 15-Pin	\$91	A
FIS-0001-0035G	Converter, IC-332, 24V/5V, Opto I/O, for Use with IB-131	\$182	A
99-000018-01	IB-131 Interface Box	\$182	A
61-300026-03	Cable, Communication, DB-25 Plug-to-DB-9 Socket, 6 ft.	\$33	A
61-000010-02	Cable, Communication, DB-9 Socket-to-DB-9 Socket, 6 ft.	\$33	A
61-000011-02	Extension Cable, Reader-to-IB-131 (MS-2, MS-3, MS-4, MS-9, MS-710, MS-820, MINI)	\$33	A
61-100029-03	Cable, Daisy Chain, IB-131	\$33	A

# MICROSCAN

## MS-2 Series Accessories

### Power Supplies

Part Number	Description	List Price	Type
97-000011-01	Power Supply, 100-240VAC, +5VDC, 5-Pin Plug, U.S./Euro Plug	\$91	A
97-000011-02	Power Supply, 100-240VAC, +5VDC, 2-Pin Plug, U.S./Euro Plug	\$91	A
97-000012-02	Power Supply, 100-240VAC, +24VDC, TRK 3-Pin, U.S./Euro Plug)	\$152	A

### Mounting and Connectors

Part Number	Description	List Price	Type
98-000048-01	Kit, Mounting Arm/Adapter, 4 in., for MS-2, MS-3	\$77	A
98-000054-01	Kit, Mounting Stand Base Plate	\$33	A
98-000053-01	Mounting Arm Extension Kit, 4 in., for MS-3, MS-4, MINI	\$39	A
98-000053-02	Mounting Arm Extension Kit, 3 in., for MS-2, MS-3, MS-4, MINI	\$39	A
98-000060-01	Kit, Bracket, Side Mount, MS-2, MS-3, MINI	\$22	A
98-000059-01	Kit, Bracket, Angle Mount, MS-2, MS-3, MINI	\$22	A
98-000057-02	Kit, Bracket, Through-Hole Mount, MS-2, MS-3, MINI	\$22	A
98-000058-02	Kit, Extended Right Angle Mirror, MS-2, MS-3	\$55	A
98-000061-03	Kit, Bracket Conversion, MS-2, MS-3-to-MS-520/MS-525	\$22	A
20-610024-01	Trigger Connector, 4-Pin Plug (Screw Terminal, Field-Wireable) (Self-Wiring)	\$33	A
20-610020-01	Power Conn.,3-Pin Socket (Screw Term.,Field-Wireable for Custom IB-131 Wiring)	\$33	A

### Package Detector/Sensor

Part Number	Description	List Price	Type
99-000017-01	Photo Sensor, Visible, NPN, Dark ON	\$193	A
99-000017-02	Photo Sensor, Visible, NPN, Light ON	\$193	A

### Software/Manuals

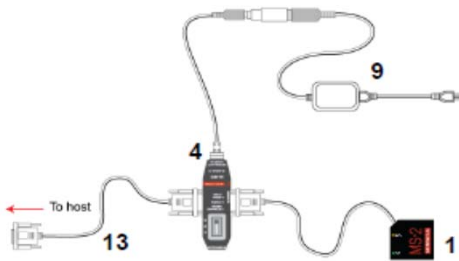
Part Number	Description	List Price	Type
37-000010-01*	Tools Drive, User Documentation, Software	\$30	A

\* 1 free per order.

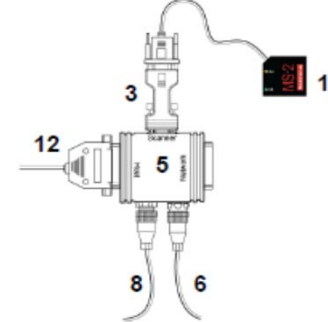
## Tech Reference MS-2

### Configurations

Standalone (5V)



Standalone (10-28V)



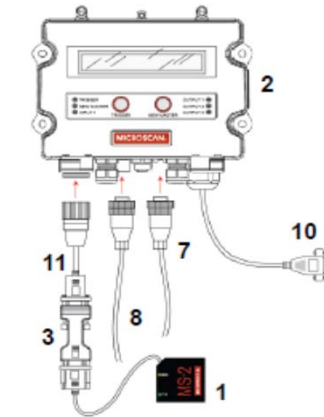
USB (5V)



Keyboard Wedge (5V)



Standalone with MS-Connect 210 (10-28V)



### System Matrix

Product	Reference No.	Description	List Price
1	FIS-0002-000XG	MS-2 CCD Reader	\$490
2	FIS-0210-00XG	MS-Connect 210	Varies
3	FIS-0001-0035G	Converter, IC-332, 24V/5V, Opto I/O, for Use with IB-131	\$182
4	FIS-0001-0030G	IB-3PC Keyboard Wedge/Interface Box	\$165
5	99-000018-01	IB-131 Interface Box	\$182
6,7	99-000017-XX	Object Detector, Light or Dark ON	\$193
8	97-000012-02	Power Supply, 100-240VAC, +24VDC, TRK 3-Pin, U.S./Euro Plug)	\$152
9	97-000011-01	Power Supply, 100-240VAC, +5VDC, 5-Pin Plug, U.S./Euro Plug	\$91
10	61-000105-01	Cable, Pre-Stripped-to-9-Pin Host Cable, 6 ft.	\$30
11	61-000127-02	Cable, MS-2-to-MS-Connect 210, 6 ft.	\$110
12	61-300026-03	Cable, Communication, DB-25 Plug-to-DB-9 Socket, 6 ft.	\$33
13	61-000010-02	Cable, Communication, DB-9 Socket-to-DB-9 Socket, 6 ft.	\$33

# MICROSCAN.

## MS-3 Series Scanners

### Read Ranges \*

Narrow Bar	Laser High Density*
3.3 mil (.084 mm)	2.3" to 2.6" (58 to 66 mm)
5 mil (.127 mm)	2.0" to 3.1" (51 to 79 mm)
7.5 mil (.191 mm)	1.7" to 3.7" (43 to 94 mm)
10 mil (.254 mm)	1.5" to 4.0" (38 to 102 mm)
Narrow Bar	Laser Low Density*
7.5 mil (.191 mm)	3.0" to 6.0" (76 to 152 mm)
10 mil (.254 mm)	2.0" to 7.0" (51 to 178 mm)
15 mil (.381 mm)	2.0" to 8.0" (51 to 203 mm)
20 mil (.508 mm)	2.0" to 10.0" (51 to 254 mm)



2014-2015 YTD Best Sellers
1) FIS-0003-0004G
2) FIS-0003-0003G

\*Call for custom focus. For right-angle version, subtract -0.6" (15mm) from Read Range.

**\*\*Important Pricing Discount Note\*\*** Product discounts are applied based on the Product TYPE code shown in the TYPE column below.

Product Type codes are defined as: P = PRODUCT Discount, A = ACCESSORY Discount, VP = VISION PRODUCT Discount.

A Product Type code modified with L signifies Legacy Status (refer to Legacy section of this catalog).

Refer to your Partner Agreement for the actual discount percentage by Product Type.

### Scanners MS-3 Standard

Part Number	Description	List Price	Type
FIS-0003-0001G	MS-3 Laser Scanner, Single Line, LD	\$985	P
FIS-0003-0002G	MS-3 Laser Scanner, Single Line, HD	\$985	P
FIS-0003-0003G	MS-3 Laser Scanner, Raster, LD	\$1,040	P
FIS-0003-0004G	MS-3 Laser Scanner, Raster, HD	\$1,040	P
FIS-0003-0005G	MS-3 Laser Scanner, Single Line, LD, Right Angle	\$1,105	P
FIS-0003-0006G	MS-3 Laser Scanner, Single Line, HD, Right Angle	\$1,105	P
FIS-0003-0007G	MS-3 Laser Scanner, Raster, LD, Right Angle	\$1,160	P
FIS-0003-0008G	MS-3 Laser Scanner, Raster, HD, Right Angle	\$1,160	P
FIS-0003-0033G	MS-3 Laser Scanner, Single Line, LD, VS-310 Replacement	\$985	P
FIS-0003-0036G	MS-3 Laser Scanner, Raster, HD, VS-310 Replacement	\$1,036	P

## MS-3 Series Scanner Accessories

### Accessories

Part Number	Description	List Price	Type
FIS-0210-0001G	MS-Connect 210, Connectivity Box with Display	\$849	A
FIS-0210-0002G	MS-Connect 210, Connectivity Box	\$549	A
FIS-0210-0003G	MS-Connect 210, Connectivity Box with Display & Ethernet	\$949	A
FIS-0210-0004G	MS-Connect 210, Connectivity Box with Ethernet	\$849	A
98-000013-04	Relay Mod., 120VAC, 3A Output, Series 70, Type SM, for MS-Connect 210 & MS-890	\$52	A
98-000013-05	Relay Mod., 240VAC, 3A Output, Series 70, Type SM, for MS-Connect 210 & MS-890	\$52	A
98-000013-06	Relay Module, 24VDC, 3 Amp Output, Series 70, Type SM, for MS-Connect 210,MS-890	\$52	A
61-000127-02	Cable, MS-2-to-MS-Connect 210, 6 ft.	\$110	A
FIS-0001-0030G	IB-3PC Keyboard Wedge/Interface Box	\$165	A
98-000051-01	IC-3USB Interface Kit, USB-to-Serial, 15-Pin	\$91	A
FIS-0001-0035G	Converter, IC-332, 24V/5V, Opto I/O, for Use with IB-131	\$182	A
99-000018-01	IB-131 Interface Box	\$182	A
61-300026-03	Cable, Communication, DB-25 Plug-to-DB-9 Socket, 6 ft.	\$33	A
61-000010-02	Cable, Communication, DB-9 Socket-to-DB-9 Socket, 6 ft.	\$33	A
61-000011-02	Extension Cable, Reader-to-IB-131 (MS-2, MS-3, MS-4, MS-9, MS-710, MS-820, MINI)	\$33	A
61-100029-03	Cable, Daisy Chain, IB-131	\$33	A
98-000055-05*	Demo Kit, MS-3, MINI	\$595	A

\* This Demo Kit does not contain a reader and is discounted 25%. The separately purchased reader is discounted 60%.

# MICROSCAN.

## Power Supplies

Part Number	Description	List Price	Type
97-000011-02	Power Supply, 100-240VAC, +5VDC, 2-Pin Plug, U.S./Euro Plug	\$91	A
97-000012-02	Power Supply, 100-240VAC, +24VDC, TRK 3-Pin, U.S./Euro Plug)	\$152	A

## Mounting and Connectors

Part Number	Description	List Price	Type
98-000048-01	Kit, Mounting Arm/Adapter, 4 in., for MS-2, MS-3	\$77	A
98-000054-01	Kit, Mounting Stand Base Plate	\$33	A
98-000053-01	Mounting Arm Extension Kit, 4 in., for MS-3, MS-4, MINI	\$39	A
98-000053-02	Mounting Arm Extension Kit, 3 in., for MS-2, MS-3, MS-4, MINI	\$39	A
98-000060-01	Kit, Bracket, Side Mount, MS-2, MS-3, MINI	\$22	A
98-000059-01	Kit, Bracket, Angle Mount, MS-2, MS-3, MINI	\$22	A
98-000057-02	Kit, Bracket, Through-Hole Mount, MS-2, MS-3, MINI	\$22	A
98-000058-02	Kit, Extended Right Angle Mirror, MS-2, MS-3	\$55	A
98-000061-03	Kit, Bracket Conversion, MS-2, MS-3-to-MS-520/MS-525	\$22	A
20-610024-01	Trigger Connector, 4-Pin Plug (Screw Terminal, Field-Wireable) (Self-Wiring)	\$33	A
20-610020-01	Power Conn.,3-Pin Socket (Screw Term.,Field-Wireable for Custom IB-131 Wiring)	\$33	A

## Package Detector/Sensor

Part Number	Description	List Price	Type
99-000017-01	Photo Sensor, Visible, NPN, Dark ON	\$193	A
99-000017-02	Photo Sensor, Visible, NPN, Light ON	\$193	A

## Software/Manuals

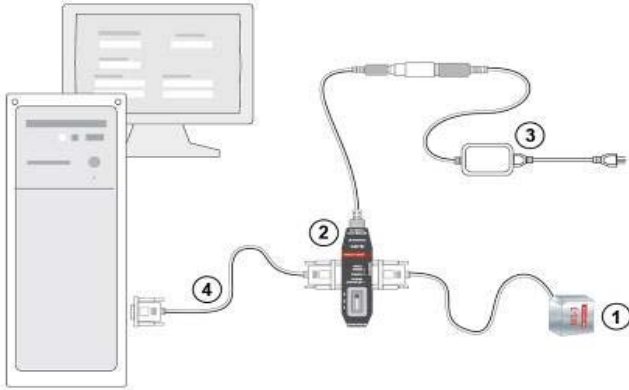
Part Number	Description	List Price	Type
37-000010-01*	Tools Drive, User Documentation, Software	\$30	A

\* 1 free per order.

## Tech Reference MS-3

### Stand Alone (5V)

This is the basic setup for a single MS-3.



#### System Matrix

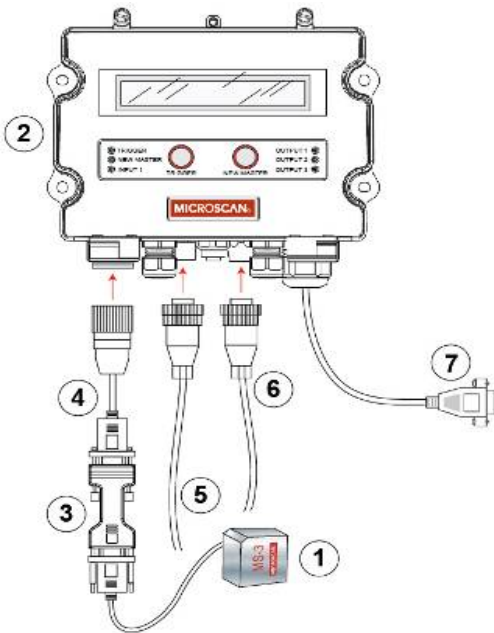
Product	Reference No.	Description	List Price
(1) MS-3 Laser	FIS-0003-XXXXG	Scanner Model	Varies
(2) IB-3PC	FIS-0001-0030G	IB-3PC Keyboard Wedge/Interface Box	\$165
(3) Power Supply	97-000011-01	ASSY,PWR SPLY,100-240VAC,+5VDC,5PIN DIN	\$91
(4) Communication Cable	61-000010-02	Cable, Communication, DB-9 Socket-to-DB-9 Socket, 6 ft.	\$33
Mounting Arm/Adapter Kit	98-000048-01	Kit, Mounting Arm/Adapter, 4 in., for MS-2, MS-3	\$77
Mounting Plate	98-000054-01	Kit, Mounting Stand Base Plate	\$33
User Documentation, Software	37-000010-01*	Tools Drive, User Documentation, Software	\$30

\* 1 free per order.

## Tech Reference MS-3

### Stand Alone (5V)

This is the basic setup for a single MS-3 and MS-Connect 210.



### System Matrix

Product	Reference No.	Description	List Price
1	FIS-0003-XXXXG	Scanner Model	Varies
2	FIS-0210-000XG	Connectivity Box A	Varies
3	FIS-0001-0035G	Converter, IC-332, 24V/5V, Opto I/O, for Use with IB-131	\$182
4	61-000127-02	Cable, MS-2-to-MS-Connect 210, 6 ft.	\$110
5	97-000012-02	Power Supply, 100-240VAC, +24VDC, TRK 3-Pin, U.S./Euro Plug)	\$152
6	99-000017-02	Photo Sensor, Visible, NPN, Light ON	\$193
7	61-000105-01	Cable, Pre-Stripped-to-9-Pin Host Cable, 6 ft.	\$30
User Documentation, Software	37-000010-01*	Tools Drive, User Documentation, Software	\$30

<sup>A</sup> See MS-Connect Series section for a complete listing of Accessories

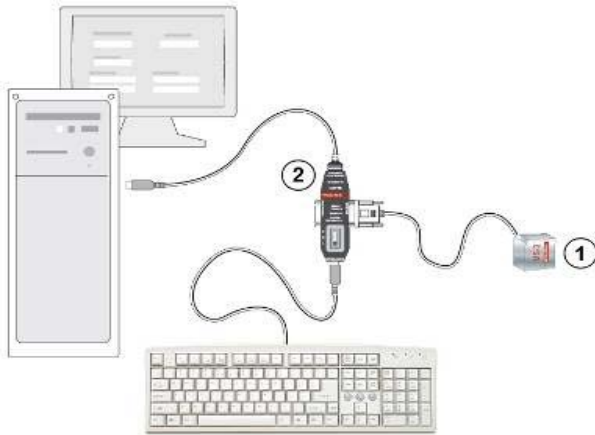
\*\* 1 free host cable is included with each MS-Connect 210

\* 1 free per order.



## Tech Reference *MS-3* Keyboard Wedge

Allows the scanner to bypass RS-232 port and input data to a host via the keyboard line.



### System Matrix

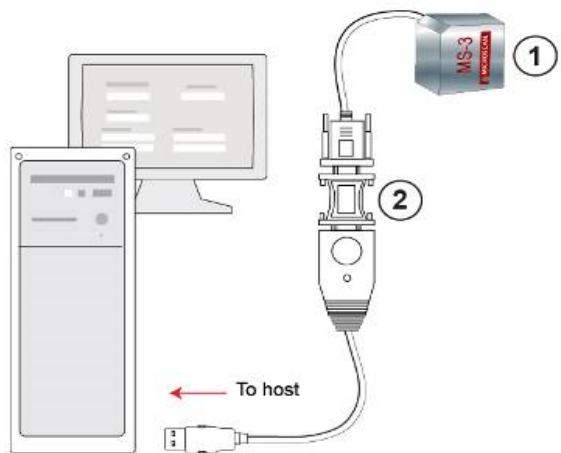
Product	Reference No.	Description	List Price
1	FIS-0003-XXXXG	Scanner Model	Varies
2	FIS-0001-0030G	IB-3PC Keyboard Wedge/Interface Box	\$165
Mounting Arm/Adapter Kit	98-000048-01	Kit, Mounting Arm/Adapter, 4 in., for MS-2, MS-3	\$77
Mounting Plate	98-000054-01	Kit, Mounting Stand Base Plate	\$33
User Documentation, Software	37-000010-01*	Tools Drive, User Documentation, Software	\$30

\* 1 free per order.

## Tech Reference MS-3

### USB

Allows the scanner to be powered and communicate via a USB port (virtual com port).



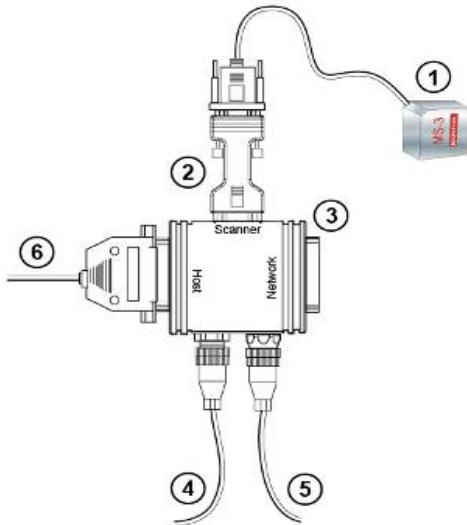
### System Matrix

Product	Reference No.	Description	List Price
1	FIS-0003-XXXXG	Scanner Model	Varies
2	98-000051-01	IC-3USB Interface Kit, USB-to-Serial, 15-Pin	\$91
Mounting Arm/Adapter Kit	98-000048-01	Kit, Mounting Arm/Adapter, 4 in., for MS-2, MS-3	\$77
Mounting Plate	98-000054-01	Kit, Mounting Stand Base Plate	\$33
User Documentation, Software	37-000010-01*	Tools Drive, User Documentation, Software	\$30

\* 1 free per order.

## Tech Reference *MS-3* Stand Alone (10-28V)

This is the basic setup for a single MS-3.



### System Matrix

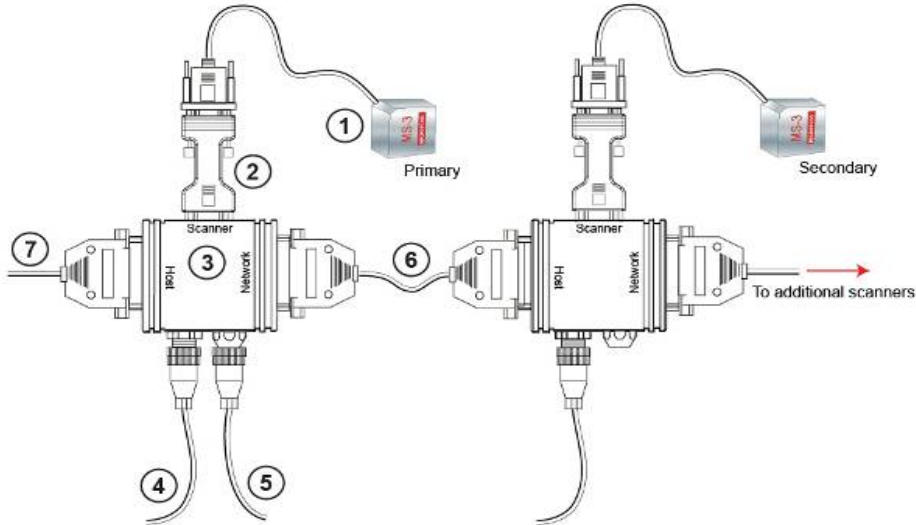
Product	Reference No.	Description	List Price
1	FIS-0003-XXXXG	Scanner Model	Varies
2	FIS-0001-0035G	Converter, IC-332, 24V/5V, Opto I/O, for Use with IB-131	\$182
3	99-000018-01	IB-131 Interface Box	\$182
4	97-000012-02	Power Supply, 100-240VAC, +24VDC, TRK 3-Pin, U.S./Euro Plug)	\$152
5	99-000017-01	Photo Sensor, Visible, NPN, Dark ON	\$193
6	61-300026-03	Cable, Communication, DB-25 Plug-to-DB-9 Socket, 6 ft.	\$33
Mounting Arm/Adapter Kit	98-000048-01	Kit, Mounting Arm/Adapter, 4 in., for MS-2, MS-3	\$77
Mounting Plate	98-000054-01	Kit, Mounting Stand Base Plate	\$33
User Documentation, Software	37-000010-01*	Tools Drive, User Documentation, Software	\$30

\* 1 free per order.

## Tech Reference MS-3

### Daisy Chain

A primary scanner is linked directly to the host. Secondary scanners (up to 9) are linked in tandem. Data is sent from the primary scanner directly to the host.



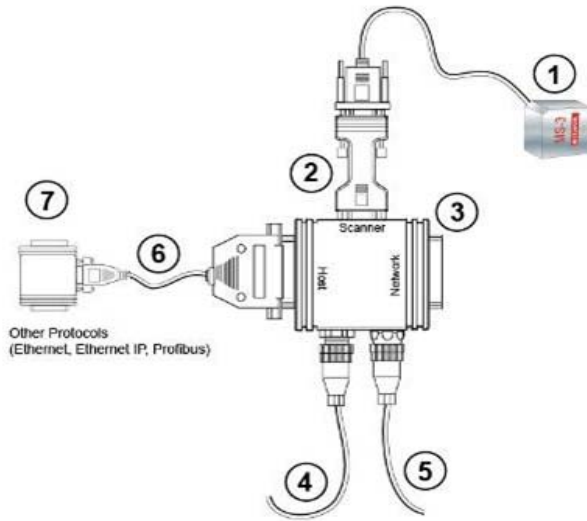
### System Matrix

Product	Reference No.	Description	List Price
1	FIS-0003-XXXXG	Scanner Model	Varies
2	FIS-0001-0035G	Converter, IC-332, 24V/5V, Opto I/O, for Use with IB-131	\$182
3	99-000018-01	IB-131 Interface Box	\$182
4	97-000012-02	Power Supply, 100-240VAC, +24VDC, TRK 3-Pin, U.S./Euro Plug)	\$152
5	99-000017-01	Photo Sensor, Visible, NPN, Dark ON	\$193
6	61-100029-03	Cable, Daisy Chain, IB-131	\$33
7	61-300026-03	Cable, Communication, DB-25 Plug-to-DB-9 Socket, 6 ft.	\$33
Mounting Arm/Adapter Kit	98-000048-01	Kit, Mounting Arm/Adapter, 4 in., for MS-2, MS-3	\$77
Mounting Plate	98-000054-01	Kit, Mounting Stand Base Plate	\$33
User Documentation, Software	37-000010-01	Tools Drive, User Documentation, Software	\$30

\* 1 free per order.

## Tech Reference MS-3

### Optional Interface Protocols



#### System Matrix

Product	Reference No.	Description	List Price
1	FIS-0003-XXXXG	Scanner Model	Varies
2	FIS-0001-0035G	Converter, IC-332, 24V/5V, Opto I/O, for Use with IB-131	\$182
3	99-000018-01	IB-131 Interface Box	\$182
4	97-000012-02	Power Supply, 100-240VAC, +24VDC, TRK 3-Pin, U.S./Euro Plug)	\$152
5	99-000017-01	Photo Sensor, Visible, NPN, Dark ON	\$193
6	61-300026-03	Cable, Communication, DB-25 Plug-to-DB-9 Socket, 6 ft.	\$33
7	Third Party	Ask your Microscan sales representative which solution is appropriate for your application.	Varies
Mounting Arm/Adapter Kit	98-000048-01	Kit, Mounting Arm/Adapter, 4 in., for MS-2, MS-3	\$77
Mounting Plate	98-000054-01	Kit, Mounting Stand Base Plate	\$33
User Documentation, Software	37-000010-01*	Tools Drive, User Documentation, Software	\$30

\* 1 free per order.

# MICROSCAN.

## MS-9 High Speed Scanner

### Read Ranges \*

Narrow Bar	High Density
5 mil (.127 mm)	1.75" to 3.0" (44 to 76 mm)
7.5 mil (.191 mm)	1.5" to 4.0" (38 to 101 mm)
Narrow Bar	Low Density
7.5 mil (.191 mm)	2.0" to 5.0" (50 to 127 mm)
10 mil (.254 mm)	1.5" to 6.0" (38 to 152 mm)
15 mil (.381 mm)	1.0" to 7.0" (25 to 178 mm)
20 mil (.508 mm)	1.0" to 9.0" (25 to 230 mm)

\* Call for custom focus.



2014-2015 YTD Best Sellers
1) FIS-0911-0001G
2) FIS-0911-0005G

**\*\*Important Pricing Discount Note\*\*** Product discounts are applied based on the Product TYPE code shown in the TYPE column below.

Product Type codes are defined as: P = PRODUCT Discount, A = ACCESSORY Discount, VP = VISION PRODUCT Discount.

A Product Type code modified with L signifies Legacy Status (refer to Legacy section of this catalog).

Refer to your Partner Agreement for the actual discount percentage by Product Type.

### Scanners \*

Part Number	Description	List Price	Type
FIS-0911-0001G	MS-9 Scanner, Single Line, LD, RS-232/RS-422/RS-485,10-28VDC	\$2,145	P
FIS-0911-0002G	MS-9 Scanner, Single Line, HD, RS-232/RS-422/RS-485,10-28VDC	\$2,145	P
FIS-0911-0003G	MS-9 Scanner, Single Line, LD, OMR, RS-232/RS-422/RS-485,10-28VDC	\$2,409	P
FIS-0911-0004G	MS-9 Scanner, Single Line, HD, OMR, RS-232/RS-422/RS-485,10-28VDC	\$2,409	P
FIS-0911-0005G	MS-9 Scanner, Raster Line, LD, RS-232/RS-422/RS-485,10-28VDC	\$2,277	P
FIS-0911-0006G	MS-9 Scanner, Raster Line, HD, RS-232/RS-422/RS-485,10-28VDC	\$2,277	P
FIS-0911-0007G	MS-9 Scanner, Single Line, LD, Pharmacode, RS-232/RS-422/RS-485,10-28VDC	\$2,145	P

\* Scanner has a 3 ft cable terminated with a HD 15 Pin D-sub.

### Accessories

Part Number	Description	List Price	Type
FIS-0210-0001G	MS-Connect 210, Connectivity Box with Display	\$849	A
FIS-0210-0002G	MS-Connect 210, Connectivity Box	\$549	A
FIS-0210-0003G	MS-Connect 210, Connectivity Box with Display & Ethernet	\$949	A
FIS-0210-0004G	MS-Connect 210, Connectivity Box with Ethernet	\$849	A
98-000013-04	Relay Mod., 120VAC, 3A Output, Series 70, Type SM, for MS-Connect 210 & MS-890	\$52	A
98-000013-05	Relay Mod., 240VAC, 3A Output, Series 70, Type SM, for MS-Connect 210 & MS-890	\$52	A
98-000013-06	Relay Module, 24VDC, 3 Amp Output, Series 70, Type SM, for MS-Connect 210,MS-890	\$52	A
61-000127-02	Cable, MS-2-to-MS-Connect 210, 6 ft.	\$110	A
99-000018-01	IB-131 Interface Box	\$182	A
FIS-0001-0030G	IB-3PC Keyboard Wedge/Interface Box	\$165	A
98-000051-01	IC-3USB Interface Kit, USB-to-Serial, 15-Pin	\$91	A
98-9000022-01	IB-3USB, USB Keyboard Wedge, 9600 bps, 9-Pin	\$150	A
98-9000022-02	IB-3USB, USB Keyboard Wedge, 38.4K bps, 9-Pin	\$150	A
61-300026-03	Cable, Communication, DB-25 Plug-to-DB-9 Socket, 6 ft.	\$33	A
61-100029-03	Cable, Daisy Chain, IB-131	\$33	A
61-000011-02	Extension Cable, Reader-to-IB-131 (MS-2, MS-3, MS-4, MS-9, MS-710, MS-820, MINI)	\$33	A

### Power Supply

Part Number	Description	List Price	Type
97-000012-02	Power Supply, 100-240VAC, +24VDC, TRK 3-Pin, U.S./Euro Plug)	\$152	A

### Mounting and Connectors

Part Number	Description	List Price	Type
98-200036-01	Kit, Right Angle Mirror, MS-9	\$83	A
98-000092-01	Kit, Mounting Plate, MS-9	\$22	A
20-610024-01	Trigger Connector, 4-Pin Plug (Screw Terminal, Field-Wireable) (Self-Wiring)	\$33	A
20-610020-01	Power Conn.,3-Pin Socket (Screw Term.,Field-Wireable for Custom IB-131 Wiring)	\$33	A
98-000019-01	Mounting Stand Kit, MS-9, 6 in.	\$99	A
98-000037-01	Mounting Arm Extension Kit, 6 in., All Readers	\$61	A
98-000054-01	Kit, Mounting Stand Base Plate	\$33	A

### Package Detector/Sensor

Part Number	Description	List Price	Type
99-000017-01	Photo Sensor, Visible, NPN, Dark ON	\$193	A
99-000017-02	Photo Sensor, Visible, NPN, Light ON	\$193	A

### Software/Manuals

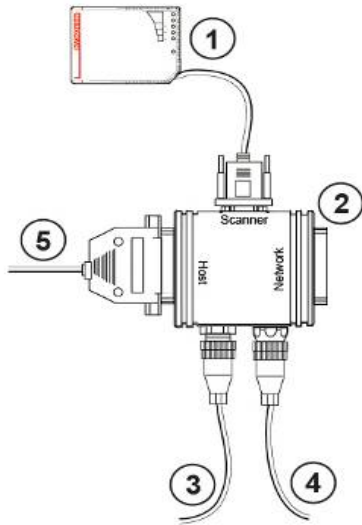
Part Number	Description	List Price	Type
37-000010-01*	Tools Drive, User Documentation, Software	\$30	A

\* 1 free per order.

## Tech Reference MS-9

### Stand Alone

This is the basic setup for a single MS-9.



### System Matrix

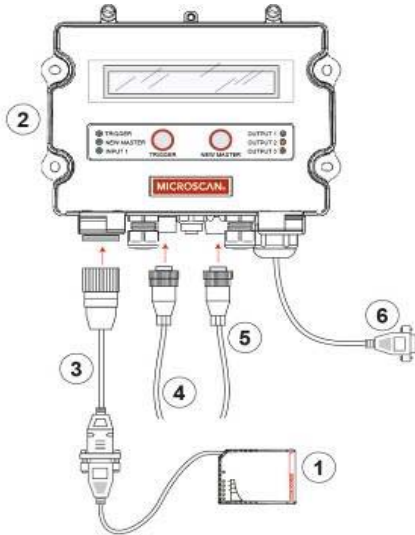
Product	Reference No.	Description	List Price
1	FIS-0911-XXXXG	Scanner Models	Varies
2	99-000018-01	IB-131 Interface Box	\$182
3	97-000012-02	Power Supply, 100-240VAC, +24VDC, TRK 3-Pin, U.S./Euro Plug)	\$152
4	99-000017-01	Photo Sensor, Visible, NPN, Dark ON	\$193
5	61-300026-03	Cable, Communication, DB-25 Plug-to-DB-9 Socket, 6 ft.	\$33
Mounting Arm/Adapter Kit	98-000019-01	Mounting Stand Kit, MS-9, 6 in.	\$99
Mounting Plate	98-000054-01	Kit, Mounting Stand Base Plate	\$33
User Documentation, Software	37-000010-01*	Tools Drive, User Documentation, Software	\$30

\* 1 free per order.

## Tech Reference MS-9

### Stand Alone

This is the basic setup for a single MS-9 and MS-Connect 210.



### System Matrix

Product	Reference No.	Description	List Price
1	FIS-0911-XXXXG	Scanner Models	Varies
2	FIS-0210-000XG	Connectivity Box *	Varies
3	61-000127-02	Cable, MS-2-to-MS-Connect 210, 6 ft.	\$110
4	97-000012-02	Power Supply, 100-240VAC, +24VDC, TRK 3-Pin, U.S./Euro Plug)	\$152
5	99-000017-02	Photo Sensor, Visible, NPN, Light ON	\$193
6	61-000105-01	Cable, Pre-Stripped-to-9-Pin Host Cable, 6 ft.	\$30
User Documentation, Software	37-000010-01*	Tools Drive, User Documentation, Software	\$30

\* See MS-Connect Series section for a complete listing of Accessories

\*\* 1 free host cable is included with each MS-Connect 210

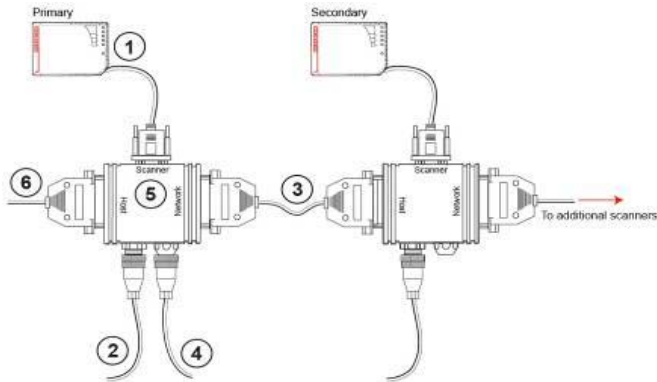
\*\*\* 1 free per order.



## Tech Reference MS-9

### Daisy Chain

A primary scanner is linked directly to the host. Secondary scanners (up to 9) are linked in tandem. Data is sent from the primary scanner directly to the host.



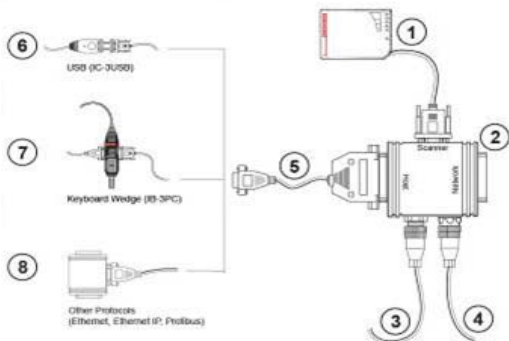
### System Matrix

Product	Reference No.	Description	List Price
1	FIS-0911-XXXXG	Scanner Models	Varies
2	97-000012-02	Power Supply, 100-240VAC, +24VDC, TRK 3-Pin, U.S./Euro Plug)	\$152
3	61-100029-03	Cable, Daisy Chain, IB-131	\$33
4	99-000017-01	Photo Sensor, Visible, NPN, Dark ON	\$193
5	99-000018-01	IB-131 Interface Box	\$182
6	61-300026-03	Cable, Communication, DB-25 Plug-to-DB-9 Socket, 6 ft.	\$33
Mounting Arm/Adapter Kit	98-000019-01	Mounting Stand Kit, MS-9, 6 in.	\$99
Mounting Plate	98-000054-01	Kit, Mounting Stand Base Plate	\$33
User Documentation, Software	37-000010-01*	Tools Drive, User Documentation, Software	\$30

\* 1 free per order.

## Tech Reference MS-9

### Optional Interface Protocols



#### System matrix

Product	Reference No.	Description	List Price
1	FIS-0911-XXXXG	Scanner Models	Varies
2	99-000018-01	IB-131 Interface Box	\$182
3	97-000012-02	Power Supply, 100-240VAC, +24VDC, TRK 3-Pin, U.S./Euro Plug)	\$152
4	99-000017-01	Photo Sensor, Visible, NPN, Dark ON	\$193
5	61-300026-03	Cable, Communication, DB-25 Plug-to-DB-9 Socket, 6 ft.	\$33
6***	98-000051-01	IC-3USB Interface Kit, USB-to-Serial, 15-Pin	\$91
7****	FIS-0001-0030G	IB-3PC Keyboard Wedge/Interface Box	\$165
8	Third Party	Ask your Microscan sales representative which solution is appropriate for your application.	Varies
Mounting Arm/Adapter Kit	98-000019-01	Mounting Stand Kit, MS-9, 6 in.	\$99
Mounting Plate	98-000054-01	Kit, Mounting Stand Base Plate	\$33
User Documentation, Software	*37-000010-01	Tools Drive, User Documentation, Software	\$30

\* 1 free per order.

\*\*\*Pin Converter is not required for this configuration.

\*\*\*\*Set the IB-3PC to **position 2** in this configuration.

# MICROSCAN

## QX-830 High Performance Compact Industrial Barcode Reader

### Read Ranges

Narrow Bar	High Density
5 mil (.127 mm)	4.0" to 5.5" (101 to 140 mm)
7.5 mil (.191 mm)	3.5" to 6.75" (89 to 171 mm)
10 mil (.254 mm)	3.25" to 8.0" (82 to 203 mm)
15 mil (.381 mm)	3.25" to 9.0" (82 to 228 mm)
Narrow Bar	Medium Density
7.5 mil (.191 mm)	2.5" to 5.5" (64 to 140 mm)
10 mil (.254 mm)	1.5" to 7.0" (38 to 178 mm)
15 mil (.381 mm)	1.5" to 8.5" (38 to 216 mm)
20 mil (.508 mm)	1.5" to 11" (38 to 280 mm)
30 mil (.762 mm)	1.0" to 12" (25 to 304 mm)
Narrow Bar	Low Density
7.5 mil (.191 mm)	10" to 12" (254 to 304 mm)
10 mil (.254 mm)	7.0" to 16" (177 to 406 mm)
15 mil (.381 mm)	6.0" to 19" (152 to 483 mm)
20 mil (.508 mm)	5.0" to 22" (127 to 558 mm)
40 mil (1.02 mm)	4.0" to 30" (101 to 762 mm)



2014-2015 YTD Best Sellers
1) FIS-0830-1004G
2) FIS-0830-1005G

**\*\*Important Pricing Discount Note\*\*** Product discounts are applied based on the Product TYPE code shown in the TYPE column below.

Product Type codes are defined as: P = PRODUCT Discount, A = ACCESSORY Discount, VP = VISION PRODUCT Discount.

A Product Type code modified with L signifies Legacy Status (refer to Legacy section of this catalog).

Refer to your Partner Agreement for the actual discount percentage by Product Type.

### Scanners

Part Number	Description	List Price	Type
FIS-0830-0001G	QX-830 Scanner, Single Line, LD, Serial	\$1,795	P
FIS-0830-0002G	QX-830 Scanner, Single Line, MD, Serial	\$1,795	P
FIS-0830-0003G	QX-830 Scanner, Single Line, HD, Serial	\$1,795	P
FIS-0830-0004G	QX-830 Scanner, Raster Line, LD, Serial	\$1,795	P
FIS-0830-0005G	QX-830 Scanner, Raster Line, MD, Serial	\$1,795	P
FIS-0830-0006G	QX-830 Scanner, Raster Line, HD, Serial	\$1,795	P
FIS-0830-0010G	QX-830 Scanner, Raster Line, LD, Serial, Plastic Window	\$1,795	P
FIS-0830-1001G	QX-830 Scanner, Single Line, LD, Serial & Ethernet	\$1,995	P
FIS-0830-1002G	QX-830 Scanner, Single Line, MD, Serial & Ethernet	\$1,995	P
FIS-0830-1003G	QX-830 Scanner, Single Line, HD, Serial & Ethernet	\$1,995	P
FIS-0830-1004G	QX-830 Scanner, Raster Line, LD, Serial & Ethernet	\$1,995	P
FIS-0830-1005G	QX-830 Scanner, Raster Line, MD, Serial & Ethernet	\$1,995	P
FIS-0830-1006G	QX-830 Scanner, Raster Line, HD, Serial & Ethernet	\$1,995	P
FIS-0830-1010G	QX-830 Scanner, Raster Line, LD, Serial & Ethernet, Plastic Window	\$1,995	P

### Accessories

Part Number	Description	List Price	Type
98-000102-01*	Demo Kit, QX-830/QX-870	\$595	A

\* This Demo Kit does not contain a reader and is discounted 25%. The separately purchased reader is discounted 60%.

### QX-1 and Cordsets

Part Number	Description	List Price	Type
98-000103-02	QX-1 Interface Device	\$195	A
61-000148-01	QX Cordset, Common, M12 12-Pin Socket (Ult.Lock)-to-M12 12-Pin Plug (Ult.Lock), 3m.	\$80	A
61-000148-02	QX Cordset, Common, M12 12-Pin Socket (Screw-On)-to-M12 12-Pin Plug (Screw-On), 3m.	\$88	A
61-000162-02	QX Cordset, Common, M12 12-Pin Socket (Screw-On)-to-M12 12-Pin Plug (Screw-On), 1m.	\$81	A
61-000153-02	QX Cordset, Host, Serial, M12 12-Pin Socket (Screw-On)-to-DB-9 Socket, 1 m.	\$81	A
61-000164-02	QX Cordset, Host, Serial, M12 12-Pin Socket (Screw-On)-to-DB-9 Socket, 3 m.	\$88	A
61-000152-02	QX Cordset, Host, Serial, M12 12-Pin Plug (Screw-On)-to-DB-9 Socket, 1 m.	\$81	A
61-000165-02	QX Cordset, Host, Serial M12 12-Pin Plug (Screw-On)-to-DB-9 Socket, 3 m.	\$94	A
61-000163-03	QX Cordset, Host, Ethernet, M12 8-Pin Plug (Screw-On)-to-RJ45, 3 m.	\$85	A
61-000160-01	QX Cordset, Host, Ethernet, M12 8-Pin Plug (Ult.Lock)-to-RJ45, 1 m.	\$100	A
61-000160-03	QX Cordset, Host, Ethernet, M12 8-Pin Plug (Screw-On)-to-RJ45, 1 m.	\$80	A
61-000172-02	QX Cordset, M12 12-Pin Plug-to-M12 12-Pin Socket-to-DB-25 Plug, Turck Connectors	\$285	A
61-000158-03	QX Cordset, M12 12-Pin Plug & M12 12-Pin Socket-to-MS-Connect 210 (RS-232), 2 m.	\$372	A
61-000158-04	QX Cordset, M12 12-Pin Plug & M12 12-Pin Socket-to-MS-Connect 210 (RS-422), 2 m.	\$248	A
61-000166-02	QX Cordset, M12 12-Pin Plug (Screw-On)-to-Flying Leads, 3 m.	\$88	A
61-000167-02	QX Cordset, M12 12-Pin Socket (Screw-On)-to-Flying Leads, 3 m.	\$88	A
61-000159-03*	QX Cordset, M12 12-Pin Plug & Socket-to-IB-131, RS-232, 2 m (Use for MS-820-to-QX-830, RS-232.)	\$180	A
61-000159-04**	QX Cordset, M12 12-Pin Socket-to-IB-131, RS-232/RS-485, 2 m (Use for MS-820-to-QX-830, RS-422/485)	\$180	A
FIS-0210-0001G	MS-Connect 210, Connectivity Box with Display	\$849	A
FIS-0210-0002G	MS-Connect 210, Connectivity Box	\$549	A
FIS-0210-0003G	MS-Connect 210, Connectivity Box with Display & Ethernet	\$949	A
FIS-0210-0004G	MS-Connect 210, Connectivity Box with Ethernet	\$849	A
98-000013-04	Relay Mod., 120VAC, 3A Output, Series 70, Type SM, for MS-Connect 210 & MS-890	\$52	A
98-000013-05	Relay Mod., 240VAC, 3A Output, Series 70, Type SM, for MS-Connect 210 & MS-890	\$52	A
98-000013-06	Relay Module, 24VDC, 3 Amp Output, Series 70, Type SM, for MS-Connect 210, MS-890	\$52	A

\*Use this cable for MS-820 to QX-830 Transition, RS-232. \*\*Use this cable for MS-820 to QX-830 Transition, RS-422 / 485.

# MICROSCAN

## QX-830 Industrial Scanner Continued

### Power Supplies

Part Number	Description	List Price	Type
97-000012-01	Power Supply, 100-240VAC, +24VDC, M12 12-Pin Socket	\$133	A
97-000012-04	QX Power Supply, 24V, M12 12 pin Plug, USA /Euro Plug	\$133	A

### Package Detector/Sensor

Part Number	Description	List Price	Type
99-000020-02	QX Photo Sensor, M12 4-Pin Plug, NPN, Dark On, 2 m.	\$193	A
99-000020-01	QX Photo Sensor, M12 4-Pin Plug, NPN, Dark Off, 2 m.	\$193	A

### Mounting and Connectors

Part Number	Description	List Price	Type
98-500006-01*	Kit, Mounting Plate, MS-710, MS-820, QX-830, QX-870	\$22	A
98-200026-02	Kit, Right Angle Mirror, MS-820/QX-830	\$83	A
61-000166-02	QX Cordset, M12 12-Pin Plug (Screw-On)-to-Flying Leads, 3 m.	\$88	A
61-000167-02	QX Cordset, M12 12-Pin Socket (Screw-On)-to-Flying Leads, 3 m.	\$88	A
20-610024-01	Trigger Connector, 4-Pin Plug (Screw Terminal, Field-Wireable) (Self-Wiring)	\$33	A
98-000016-01	Kit, 6 in. Mounting Arm/Adapter, MS-820, QX-830, QX-870	\$99	A
98-000037-01	Mounting Arm Extension Kit, 6 in., All Readers	\$61	A
98-000054-01	Kit, Mounting Stand Base Plate	\$33	A
98-000148-01	Kit, L-Bracket, QX Series	\$45	A

\* Though-hole mounting plate; not for use with mounting arm.

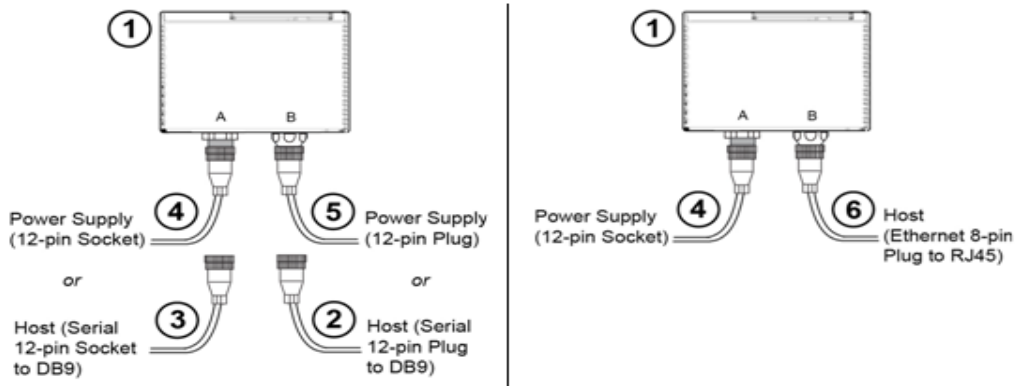
### Software/Manuals

Part Number	Description	List Price	Type
37-000010-01*	Tools Drive, User Documentation, Software	\$30	A

\* 1 free per order.

## Tech Reference QX-830

## Stand Alone Configurations

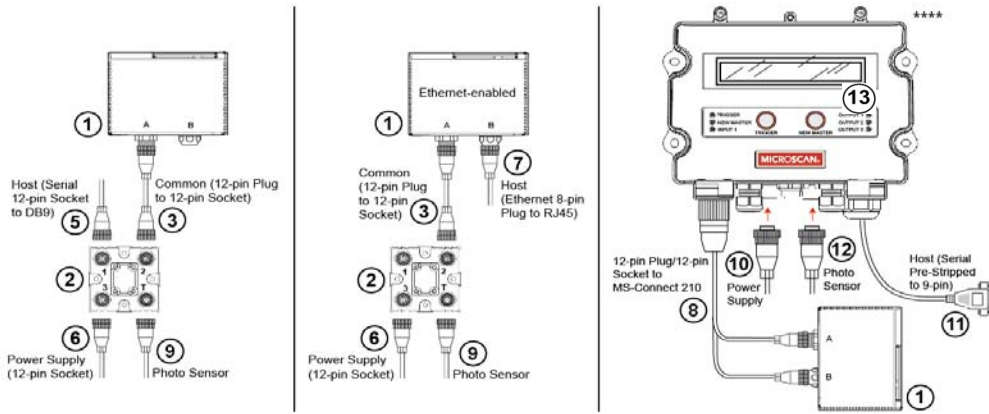


Item	Part Number	Description	List Price
1	FIS-0830-XXXXG	QX-830 Compact Industrial Scanner	Varies
2	61-000152-02*	QX Cordset, Host, Serial, M12 12-Pin Plug (Screw-On)-to-DB-9 Socket, 1 m.	\$81
3	61-000153-02*	QX Cordset, Host, Serial, M12 12-Pin Socket (Screw-On)-to-DB-9 Socket, 1	\$81
4	97-000012-01	Power Supply, 100-240VAC, +24VDC, M12 12-Pin Socket	\$133
5	97-000012-04	QX Power Supply, 24V, M12 12 pin Plug, USA /Euro Plug	\$133
6	61-000160-01	QX Cordset, Host, Ethernet, M12 8-Pin Plug (Ult.Lock)-to-RJ45, 1 m.	\$100
	98-000016-01	Kit, 6 in. Mounting Arm/Adapter, MS-820, QX-830, QX-870	\$99
	98-000054-01	Kit, Mounting Stand Base Plate	\$33
	37-000010-01**	Tools Drive, User Documentation, Software	\$30

\* Cordsets available in multiple lengths

\*\* One free per order.

### Stand Alone Configurations



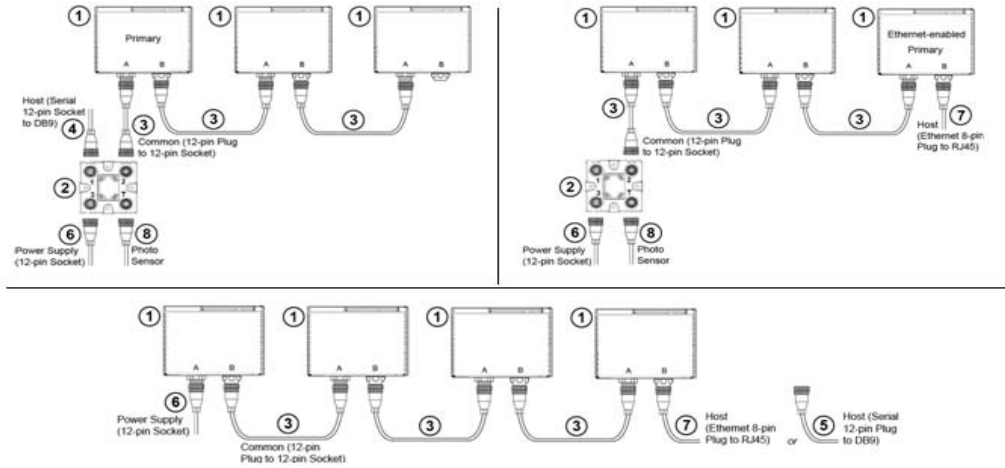
Item	Part Number	Description	List Price
1	FIS-0830-XXXG	QX-830 Compact Industrial Scanner	Varies
2	98-000103-02	QX-1 Interface Device	\$195
3	61-000162-02*	QX Cordset, Common, M12 12-Pin Socket (Screw-On)-to-M12 12-Pin Plug (Screw-On), 1m.	\$81
4	61-000152-02*	QX Cordset, Host, Serial, M12 12-Pin Plug (Screw-On)-to-DB-9 Socket, 1 m.	\$81
5	61-000153-02*	QX Cordset, Host, Serial, M12 12-Pin Socket (Screw-On)-to-DB-9 Socket, 1 m.	\$81
6	97-000012-01	Power Supply, 100-240VAC, +24VDC, M12 12-Pin Socket	\$133
7	61-000160-01*	QX Cordset, Host, Ethernet, M12 8-Pin Plug (Ult.Lock)-to-RJ45, 1 m.	\$100
8	61-000158-03	QX Cordset, M12 12-Pin Plug & M12 12-Pin Socket-to-MS-Connect 210 (RS-232), 2 m.	\$372
9	99-000020-02	QX Photo Sensor, M12 4-Pin Plug, NPN, Dark On, 2 m.	\$193
10	97-000012-02	Power Supply, 100-240VAC, +24VDC, TRK 3-Pin, U.S./Euro Plug)	\$152
11	61-000105-01	Cable, Pre-Stripped-to-9-Pin Host Cable, 6 ft.	\$30
12	99-000017-01	Photo Sensor, Visible, NPN, Dark ON	\$193
13	FIS-0210-000XG***	Connectivity Box	Varies
	98-000016-01	Kit, 6 in. Mounting Arm/Adapter, MS-820, QX-830, QX-870	\$99
	98-000054-01	Kit, Mounting Stand Base Plate	\$33
	37-000010-01**	Tools Drive, User Documentation, Software	\$30

\* Cordsets available in multiple lengths

\*\* One free per order.

\*\*\* Refer to MS-Connection section for complete listing of MS-Connection 210 options

### Daisy Chain Configurations

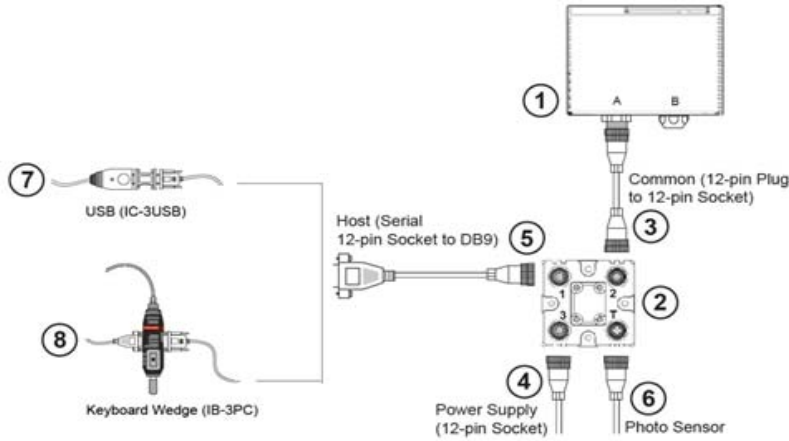


Item	Part Number	Description	List Price
1	FIS-0830-XXXXG	QX-830 Compact Industrial Scanner	Varies
2	98-000103-02	QX-1 Interface Device	\$195
3	61-000162-02*	QX Cordset, Common, M12 12-Pin Socket(Screw-On)-to-M12 12-Pin Plug(Screw-On), 1m.	\$81
4	61-000153-02*	QX Cordset, Host, Serial, M12 12-Pin Socket (Screw-On)-to-DB-9 Socket, 1 m.	\$81
5	61-000152-02*	QX Cordset, Host, Serial, M12 12-Pin Plug (Screw-On)-to-DB-9 Socket, 1 m.	\$81
6	97-000012-01	Power Supply, 100-240VAC, +24VDC, M12 12-Pin Socket	\$133
7	61-000160-01	QX Cordset, Host, Ethernet, M12 8-Pin Plug (Ult.Lock)-to-RJ45, 1 m.	\$100
8	99-000020-02	QX Photo Sensor, M12 4-Pin Plug, NPN, Dark On, 2 m.	\$193
	98-000016-01	Kit, 6 in. Mounting Arm/Adapter, MS-820, QX-830, QX-870	\$99
	98-000054-01	Kit, Mounting Stand Base Plate	\$33
	37-000010-01**	Tools Drive, User Documentation, Software	\$30

\* Cordsets available in multiple lengths

\*\* One free per order.

### Optional Interface Protocols



Item	Part Number	Description	List Price
1	FIS-0830-XXXXG	QX-830 Compact Industrial Scanner	Varies
2	98-000103-02	QX-1 Interface Device	\$195
3	61-000162-02*	QX Cordset, Common, M12 12-Pin Socket (Screw-On)-to-M12 12-Pin Plug (Screw-On), 1m.	\$81
4	97-000012-01	Power Supply, 100-240VAC, +24VDC, M12 12-Pin Socket	\$133
5	61-000153-02*	QX Cordset, Host, Serial, M12 12-Pin Socket (Screw-On)-to-DB-9 Socket, 1 m.	\$81
6	99-000020-02	QX Photo Sensor, M12 4-Pin Plug, NPN, Dark On, 2 m.	\$193
7	98-000051-01	IC-3USB Interface Kit, USB-to-Serial, 15-Pin	\$91
8	FIS-0001-0030G	IB-3PC Keyboard Wedge/Interface Box	\$165
	98-000016-01	Kit, 6 in. Mounting Arm/Adapter, MS-820, QX-830, QX-870	\$99
	98-000054-01	Kit, Mounting Stand Base Plate	\$33
	37-000010-01**	Tools Drive, User Documentation, Software	\$30

\* Cordsets available in multiple lengths. See Accessories section for additional detail.

\*\* One free per order.

# MICROSCAN.

## QX-870 High Performance Industrial Sweeping Raster Barcode Reader

### Read Ranges

Narrow Bar	High Density
5 mil (.127 mm)	4" to 5" (102 to 127 mm)
7.5 mil (.191 mm)	3.5" to 6.75" (89 to 171 mm)
10 mil (.254 mm)	3.25" to 8" (82 to 203 mm)
15 mil (.381 mm)	3.25" to 9" (82 to 228 mm)
Medium Density	
7.5 mil (.191 mm)	2.5" to 5.5" (64 to 140 mm)
10 mil (.254 mm)	1.5" to 7" (38 to 178 mm)
15 mil (.381 mm)	1.5" to 8.5" (38 to 216 mm)
30 mil (.762 mm)	1" to 12" (25 to 304 mm)
Low Density	
7.5 mil (.191 mm)	10" to 12" (254 to 305 mm)
10 mil (.254 mm)	7" to 16" (178 to 406 mm)
15 mil (.381 mm)	6" to 19" (152 to 483 mm)
20 mil (.508 mm)	5" to 22" (127 to 558 mm)
40 mil (1.02 mm)	4" to 30" (102 to 762 mm)



2014-2015 YTD Best Sellers	
1)	FIS-0870-0004G
2)	FIS-0870-1004G

**\*\*Important Pricing Discount Note\*\*** Product discounts are applied based on the Product TYPE code shown in the TYPE column below.

Product Type codes are defined as: P = PRODUCT Discount, A = ACCESSORY Discount, VP = VISION PRODUCT Discount.

A Product Type code modified with L signifies Legacy Status (refer to Legacy section of this catalog).

Refer to your Partner Agreement for the actual discount percentage by Product Type.

### Barcode Readers

Part Number	Description	List Price	Type
FIS-0870-0004G	QX-870 Scanner, LD, Sweeping Raster, Serial	\$2,725	P
FIS-0870-0005G	QX-870 Scanner, MD, Sweeping Raster, Serial	\$2,725	P
FIS-0870-0006G	QX-870 Scanner, HD, Sweeping Raster, Serial	\$2,725	P
FIS-0870-0007G	QX-870 Scanner, Plastic Window, LD, Sweeping Raster, Serial	\$2,975	P
FIS-0870-1004G	QX-870 Scanner, LD, Sweeping Raster, Serial & Ethernet	\$2,935	P
FIS-0870-1005G	QX-870 Scanner, MD, Sweeping Raster, Serial & Ethernet	\$2,935	P
FIS-0870-1006G	QX-870 Scanner, HD, Sweeping Raster, Serial & Ethernet	\$2,935	P

### QX-1 and Cordsets

Part Number	Description	List Price	Type
98-000103-02	QX-1 Interface Device	\$195	A
61-000148-01	QX Cordset, Common, M12 12-Pin Socket (Ult.Lock)-to-M12 12-Pin Plug (Ult.Lock), 3m.	\$80	A
61-000148-02	QX Cordset, Common, M12 12-Pin Socket (Screw-On)-to-M12 12-Pin Plug (Screw-On), 3m.	\$88	A
61-000162-02	QX Cordset, Common, M12 12-Pin Socket (Screw-On)-to-M12 12-Pin Plug (Screw-On), 1m.	\$81	A
61-000153-02	QX Cordset, Host, Serial, M12 12-Pin Socket (Screw-On)-to-DB-9 Socket, 1 m.	\$81	A
61-000164-02	QX Cordset, Host, Serial, M12 12-Pin Socket (Screw-On)-to-DB-9 Socket, 3 m.	\$88	A
61-000152-02	QX Cordset, Host, Serial, M12 12-Pin Plug (Screw-On)-to-DB-9 Socket, 1 m.	\$81	A
61-000165-02	QX Cordset, Host, Serial M12 12-Pin Plug (Screw-On)-to-DB-9 Socket, 3 m.	\$94	A
61-000163-03	QX Cordset, Host, Ethernet, M12 8-Pin Plug (Screw-On)-to-RJ45, 3 m.	\$85	A
61-000160-01	QX Cordset, Host, Ethernet, M12 8-Pin Plug (Ult.Lock)-to-RJ45, 1 m.	\$100	A
61-000160-03	QX Cordset, Host, Ethernet, M12 8-Pin Plug (Screw-On)-to-RJ45, 1 m.	\$80	A
61-000172-02	QX Cordset, M12 12-Pin Plug-to-M12 12-Pin Socket-to-DB-25 Plug, Turck Connectors	\$285	A
61-000158-03	QX Cordset, M12 12-Pin Plug & M12 12-Pin Socket-to-MS-Connect 210 (RS-232), 2 m.	\$372	A
61-000158-04	QX Cordset, M12 12-Pin Plug & M12 12-Pin Socket-to-MS-Connect 210 (RS-422), 2 m.	\$248	A
61-000166-02	QX Cordset, M12 12-Pin Plug (Screw-On)-to-Flying Leads, 3 m.	\$88	A
61-000167-02	QX Cordset, M12 12-Pin Socket (Screw-On)-to-Flying Leads, 3 m.	\$88	A
FIS-0210-0001G	MS-Connect 210, Connectivity Box with Display	\$849	A
FIS-0210-0002G	MS-Connect 210, Connectivity Box	\$549	A
FIS-0210-0003G	MS-Connect 210, Connectivity Box with Display & Ethernet	\$949	A
FIS-0210-0004G	MS-Connect 210, Connectivity Box with Ethernet	\$849	A
98-000013-04	Relay Mod., 120VAC, 3A Output, Series 70, Type SM, for MS-Connect 210 & MS-890	\$52	A
98-000013-05	Relay Mod., 240VAC, 3A Output, Series 70, Type SM, for MS-Connect 210 & MS-890	\$52	A
98-000013-06	Relay Module, 24VDC, 3 Amp Output, Series 70, Type SM, for MS-Connect 210, MS-890	\$52	A



# MICROSCAN.

## QX-870 Industrial Scanner Accessories (Similar to QX-830)

### Accessories

Part Number	Description	List Price	Type
98-000102-01*	Demo Kit, QX-830/QX-870	\$595	A

\* This Demo Kit does not contain a reader and is discounted 25%. The separately purchased reader is discounted 60%.

### Power Supplies

Part Number	Description	List Price	Type
97-000012-01	Power Supply, 100-240VAC, +24VDC, M12 12-Pin Socket	\$133	A
97-000012-04	QX Power Supply, 24V, M12 12 pin Plug, USA /Euro Plug	\$133	A

### Package Detector/Sensor

Part Number	Description	List Price	Type
99-000020-02	QX Photo Sensor, M12 4-Pin Plug, NPN, Dark On, 2 m.	\$193	A
99-000020-01	QX Photo Sensor, M12 4-Pin Plug, NPN, Dark Off, 2 m.	\$193	A

### Mounting and Connectors

Part Number	Description	List Price	Type
98-500006-01*	Kit, Mounting Plate, MS-710, MS-820, QX-830, QX-870	\$22	A
20-610024-01	Trigger Connector, 4-Pin Plug (Screw Terminal, Field-Wireable) (Self-Wiring)	\$33	A
61-000166-02	QX Cordset, M12 12-Pin Plug (Screw-On)-to-Flying Leads, 3 m.	\$88	A
61-000167-02	QX Cordset, M12 12-Pin Socket (Screw-On)-to-Flying Leads, 3 m.	\$88	A
98-000016-01	Kit, 6 in. Mounting Arm/Adapter, MS-820, QX-830, QX-870	\$99	A
98-000037-01	Mounting Arm Extension Kit, 6 in., All Readers	\$61	A
98-000054-01	Kit, Mounting Stand Base Plate	\$33	A
98-000148-01	Kit, L-Bracket, QX Series	\$45	A

\* Though-hole mounting plate; not for use with mounting arm.

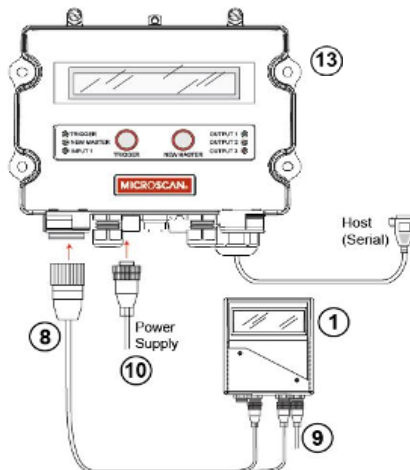
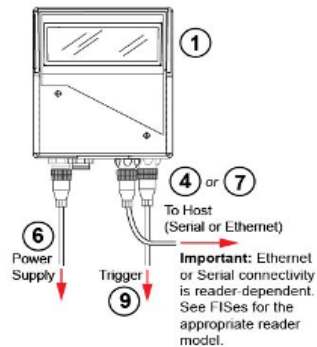
### Software/Manuals

Part Number	Description	List Price	Type
37-000010-01*	Tools Drive, User Documentation, Software	\$30	A

\* 1 free per order.

## Tech Reference QX-870

### Stand Alone Configurations



Item	Part Number	Description	List Price
1	FIS-0870-XXXXG	QX-870 Industrial Raster Barcode Reader	Varies
4	61-000152-02*	QX Cordset, Host, Serial, M12 12-Pin Plug (Screw-On)-to-DB-9 Socket, 1 m.	\$81
6	97-000012-01	Power Supply, 100-240VAC, +24VDC, M12 12-Pin Socket	\$133
7	61-000160-01*	QX Cordset, Host, Ethernet, M12 8-Pin Plug (Ult.Lock)-to-RJ45, 1 m.	\$100
8	61-000158-03	QX Cordset, M12 12-Pin Plug & M12 12-Pin Socket-to-MS-Connect 210 (RS-232), 2 m.	\$372
9	99-000020-02***	QX Photo Sensor, M12 4-Pin Plug, NPN, Dark On, 2 m.	\$193
10	97-000012-02	Power Supply, 100-240VAC, +24VDC, TRK 3-Pin, U.S./Euro Plug)	\$152
13	FIS-0210-000XG****	Connectivity Box	Varies
	98-000016-01	Kit, 6 in. Mounting Arm/Adapter, MS-820, QX-830, QX-870	\$99
	98-000054-01	Kit, Mounting Stand Base Plate	\$33
	37-000010-01**	Tools Drive, User Documentation, Software	\$30

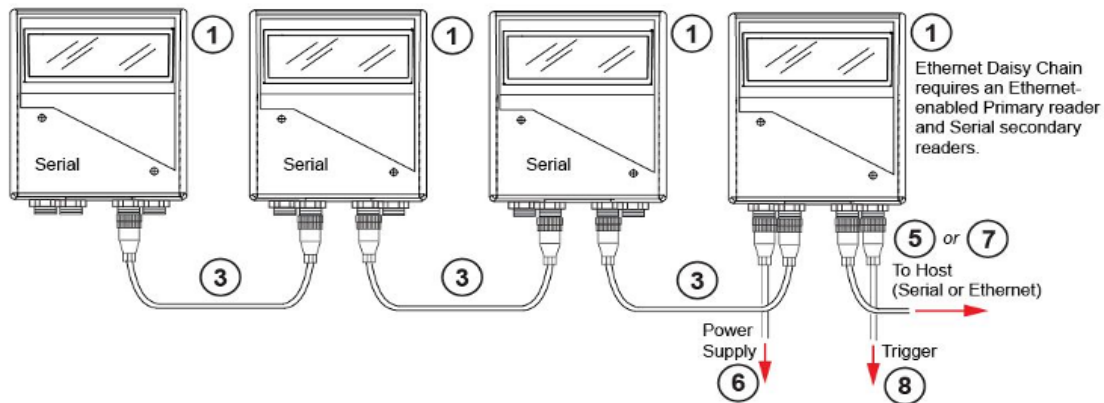
\* Cordsets available in multiple lengths

\*\* One free per order.

\*\*\*QX-870 with MS-Connect 210 requires a PNP photo sensor such as IDEX SA1E-NP1 (LO) and -NP2 (DO)

\*\*\*\* Refer to MS-Connection section for complete listing of MS-Connection 210 options

### Daisy Chain Configuration



Please also Reference QX-830 section for alternative Daisy Chain configurations

Item	Part Number	Description	List Price
1	FIS-0870-XXXXG	QX-870 Industrial Raster Barcode Reader	Varies
2	98-000103-02	QX-1 Interface Device	\$195
3	61-000162-02*	QX Cordset, Common, M12 12-Pin Socket (Screw-On)-to-M12 12-Pin Plug (Screw-On), 1m.	\$81
4	61-000153-02*	QX Cordset, Host, Serial, M12 12-Pin Socket (Screw-On)-to-DB-9 Socket, 1 m.	\$81
5	61-000152-02*	QX Cordset, Host, Serial, M12 12-Pin Plug (Screw-On)-to-DB-9 Socket, 1 m.	\$81
6	97-000012-01	Power Supply, 100-240VAC, +24VDC, M12 12-Pin Socket	\$133
7	61-000160-01*	QX Cordset, Host, Ethernet, M12 8-Pin Plug (Ult.Lock)-to-RJ45, 1 m.	\$100
8	99-000020-02	QX Photo Sensor, M12 4-Pin Plug, NPN, Dark On, 2 m.	\$193
	98-000016-01	Kit, 6 in. Mounting Arm/Adapter, MS-820, QX-830, QX-870	\$99
	98-000054-01	Kit, Mounting Stand Base Plate	\$33
	37-000010-01**	Tools Drive, User Documentation, Software	\$30

\* Cordsets available in multiple lengths

\*\* One free per order.

# MICROSCAN

## MS-890 Industrial Barcode Reader

### Read Ranges

Narrow Bar	
7.5 mil (.191 mm)	10" to 35" (254 to 889 mm)
15 mil (.381 mm)	10" to 74" (254 to 1880 mm)
20 mil (.508 mm)	10" to 90" (254 to 2286 mm)
30 mil (.762 mm)	10" to 100" (254 to 2540 mm)
40 mil (1.02 mm)	10" to 110" (254 to 2794 mm)
50 mil (1.27 mm)	10" to 120" (254 to 2048 mm)



2014-2015 YTD  
Best Sellers  
1) FIS-0890-0001G

**\*\*Important Pricing Discount Note\*\*** Product discounts are applied based on the Product TYPE code shown in the TYPE column below.

Product Type codes are defined as: P = PRODUCT Discount, A = ACCESSORY Discount, VP = VISION PRODUCT Discount.

A Product Type code modified with L signifies Legacy Status (refer to Legacy section of this catalog).

Refer to your Partner Agreement for the actual discount percentage by Product Type.

### MS-890 Industrial Scanners

Part Number	Description	List Price	Type
FIS-0890-0001G	MS-890 Scanner, Long Range, Standalone Version, RS-232/485,10-28VDC	\$5,520	P
FIS-0890-0002G	MS-890 Scanner, Long Range, Wiring Box-Ready, RS-232/485,10-28VDC	\$5,600	P

### Wiring Box

Part Number	Description	List Price	Type
99-420003-04	Accessory, Wiring Box, IB-890	\$350	A
98-000013-04	Relay Mod., 120VAC, 3A Output, Series 70, Type SM, for MS-Connect 210 & MS-890	\$55	A
98-000013-05	Relay Mod., 240VAC, 3A Output, Series 70, Type SM, for MS-Connect 210 & MS-890	\$55	A
98-000013-06	Relay Module, 24VDC, 3 Amp Output, Series 70, Type SM, for MS-Connect 210,MS-890	\$55	A
12-000130-01*	Cable Grommet (Sealed Strain Relief Wire Clamp)	\$15	A

1 Included with 99-420003-04

### Accessories

Part Number	Description	List Price	Type
FIS-0210-0001G	MS-Connect 210, Connectivity Box with Display	\$879	A
FIS-0210-0002G	MS-Connect 210, Connectivity Box	\$599	A
FIS-0210-0003G	MS-Connect 210, Connectivity Box with Display & Ethernet	\$999	A
FIS-0210-0004G	MS-Connect 210, Connectivity Box with Ethernet	\$879	A
98-000013-04	Relay Mod., 120VAC, 3A Output, Series 70, Type SM, for MS-Connect 210 & MS-890	\$55	A
98-000013-05	Relay Mod., 240VAC, 3A Output, Series 70, Type SM, for MS-Connect 210 & MS-890	\$55	A
98-000013-06	Relay Module, 24VDC, 3 Amp Output, Series 70, Type SM, for MS-Connect 210,MS-890	\$55	A
61-000122-01	Cable to MS-Connect 210, Host RS-422/RS-485 for Multidrop, 6 ft.	\$110	A
61-000123-01	Cable to MS-Connect 210, Host/Aux RS-232 for Daisy Chain, 210-to-210, 6 ft.	\$110	A
FIS-0001-0030G	IB-3PC Keyboard Wedge/Interface Box	\$165	A
98-000040-02	Cable, Interface & Reader, 6 ft., IB-150	\$193	A
98-000051-01	IC-3USB Interface Kit, USB-to-Serial, 15-Pin	\$91	A
61-000034-02	Cable, Communication/Serial, 25-Pin Socket-to-9-Pin Socket, 6 ft.	\$30	A
61-100029-03	Cable, Daisy Chain, IB-131	\$33	A
61-000010-02	Cable, Communication, DB-9 Socket-to-DB-9 Socket, 6 ft.	\$33	A
98-000011-01	Kit, Glass Window Replacement, MS-890	\$88	A
98-000011-02	Kit, Plastic Window Replacement, MS-890	\$143	A
61-000154-01	Adapter, Daisy Chain	\$83	A
98-000090-03*	Demo Kit, MS-890	\$595	A

\* This Demo Kit does not contain a reader and is discounted 25%. The separately purchased reader is discounted 60%.

### Power Supply

Part Number	Description	List Price	Type
97-000012-02	Power Supply, 100-240VAC, +24VDC, TRK 3-Pin, U.S./Euro Plug)	\$152	A

# MICROSCAN

## Mounting and Connectors

Part Number	Description	List Price	Type
98-000017-01	Mounting Arm/Adapter Kit, IB-890, 6 in.	\$99	A
98-000018-01	Mounting Arm/Adapter Kit, MS-890, 6 in.	\$99	A
98-000046-01	Large Base Plate, 12 in.x12 in.	\$44	A
98-200037-01	Kit, Mounting Plate, MS-890	\$44	A
20-610024-01	Trigger Connector, 4-Pin Plug (Screw Terminal, Field-Wireable) (Self-Wiring)	\$33	A
20-610020-01	Power Conn.,3-Pin Socket (Screw Term.,Field-Wireable for Custom IB-131 Wiring)	\$33	A

## Package Detector/Sensor

Part Number	Description	List Price	Type
99-000004-01	Package Detector, Standard Diffuse, 120 in. Range, 4-Pin Plug	\$248	A
99-000004-02	Package Detector, Standard Diffuse, 120 in. Range, Unterminated	\$248	A
99-000017-01	Photo Sensor, Visible, NPN, Dark ON	\$193	A
99-000017-02	Photo Sensor, Visible, NPN, Light ON	\$193	A

## Software / Manuals

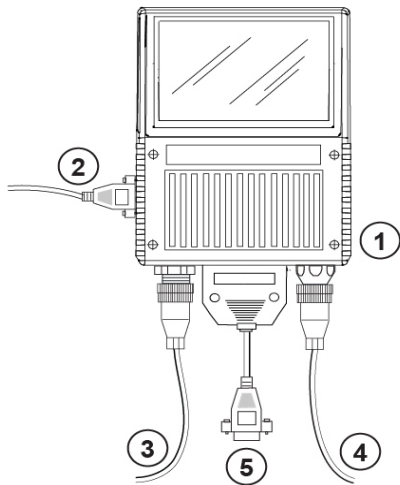
Part Number	Description	List Price	Type
37-000010-01*	Tools Drive, User Documentation, Software	\$30	A

\*One free per order

## Tech Reference MS-890

### Stand Alone

This is the basic setup for a single MS-890.



## System Matrix

Product	Reference No.	Description	List Price
1	FIS-0890-0001G	Scanner, Industrial, Long Range	Varies
2	61-000010-02	Cable, Communication, DB-9 Socket-to-DB-9 Socket, 6 ft.	\$33
3	97-000012-02	Power Supply, 100-240VAC, +24VDC, TRK 3-Pin, U.S./Euro Plug)	\$152
4	99-000004-01	Package Detector, Standard Diffuse, 120 in. Range, 4-Pin Plug	\$248
5	61-000034-02	Cable, Communication/Serial, 25-Pin Socket-to-9-Pin Socket, 6 ft.	\$30
Mounting Arm Kit	98-000018-01	Mounting Arm/Adapter Kit, MS-890, 6 in.	\$99
Mounting Plate	98-000046-01	Large Base Plate, 12 in.x12 in.	\$44
User Documentation, Software	37-000010-01*	Tools Drive, User Documentation, Software	\$30

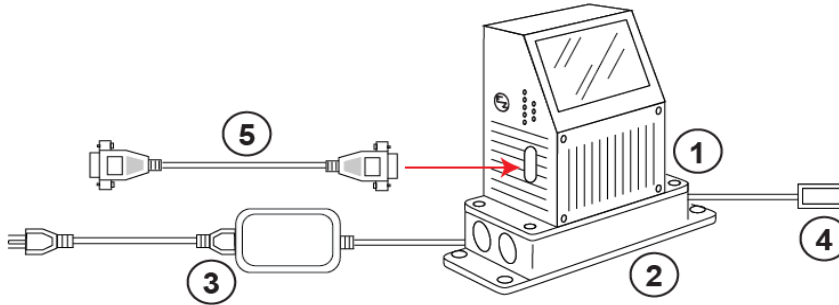
\* 1 free per order.

## Tech Reference *MS-890*

### Stand Alone

with Wiring Box

This is the basic setup for a single MS-890 with IB-890 Wiring Box.



### System Matrix

Product	Reference No.	Description	List Price
1	FIS-0890-0002G	Scanner, Industrial, Wiring Box-Ready	Varies
2	99-420003-04	Accessory, Wiring Box, IB-890	\$350
3***	97-000012-02	Power Supply, 100-240VAC, +24VDC, TRK 3-Pin, U.S./Euro Plug)	\$152
4	99-000004-02	Package Detector, Standard Diffuse, 120 in. Range, Unterminated	\$248
5	61-000010-02	Cable, Communication, DB-9 Socket-to-DB-9 Socket, 6 ft.	\$33
Mounting Arm/Adapter Kit	98-000017-01	Mounting Arm/Adapter Kit, IB-890, 6 in.	\$99
Mounting Plate	98-000046-01	Large Base Plate, 12 in.x12 in.	\$44
User Documentation, Software	37-000010-01*	Tools Drive, User Documentation, Software	\$30

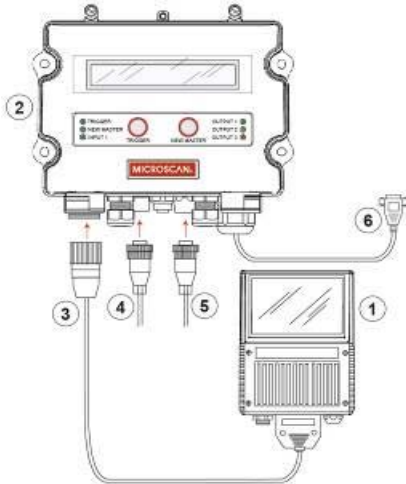
\* 1 free per order.

\*\*\* Remove connectors before installation.

## Tech Reference *MS-890*

### Stand Alone with MS-Connect 210

This is the basic setup for a single MS-890 and MS-Connect 210.



### System Matrix

Product	Reference No.	Description	List Price
1	FIS-0890-0001G	Scanner, Industrial, Long Range	Varies
2	FIS-0210-000XG*	MS-Connect 210 Connectivity Box	Varies
3†	61-000122-01	Cable to MS-Connect 210, Host RS-422/RS-485 for Multidrop, 6 ft.	\$110
	61-000123-01	Cable to MS-Connect 210, Host/Aux RS-232 for Daisy Chain, 210-to-210, 6 ft.	\$110
4	97-000012-02	Power Supply, 100-240VAC, +24VDC, TRK 3-Pin, U.S./Euro Plug)	\$152
5	99-000017-02	Photo Sensor, Visible, NPN, Light ON	\$193
6	61-000105-01**	Cable, Pre-Stripped-to-9-Pin Host Cable, 6 ft.	\$30
User Documentation, Software	37-000010-01***	Tools Drive, User Documentation, Software	\$30

\* See MS-Connect Series section for a complete listing of Accessories

\*\* 1 free host cable is included with each MS-Connect 210

\*\*\* 1 free per order.

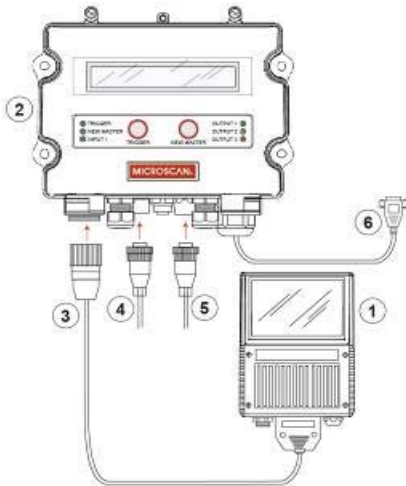
† Choose one cable.

## Tech Reference *MS-890*

### Stand Alone

with MS-Connect 210 with Ethernet

This is the basic setup for a single MS-890 and MS-Connect 210 with Ethernet.



### System Matrix

Product	Reference No.	Description	List Price
1	FIS-0890-0001G	Scanner, Industrial, Long Range	Varies
2	FIS-0210-0004G	MS-Connect 210, Connectivity Box with Ethernet	\$879
3†	61-000122-01	Cable to MS-Connect 210, Host RS-422/RS-485 for Multidrop, 6 ft.	\$110
	61-000123-01	Cable to MS-Connect 210, Host/Aux RS-232 for Daisy Chain, 210-to-210, 6 ft.	\$110
4	97-000012-02	Power Supply, 100-240VAC, +24VDC, TRK 3-Pin, U.S./Euro Plug)	\$152
5	99-000017-02	Photo Sensor, Visible, NPN, Light ON	\$193
6	61-000105-01**	Cable, Pre-Stripped-to-9-Pin Host Cable, 6 ft.	\$30
User Documentation, Software	37-000010-01***	Tools Drive, User Documentation, Software	\$30

\* See MS-Connect Series section for a complete listing of Accessories

\*\* 1 free host cable is included with each MS-Connect 210

\*\*\* 1 free per order.

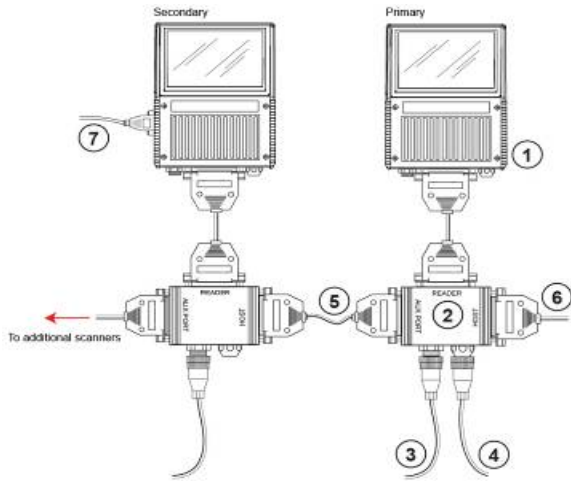
† Choose one cable.



## Tech Reference MS-890

### Daisy Chain

A primary scanner is linked directly to the host. Secondary scanners (up to 9) are linked in tandem. Data is sent from the primary scanner directly to the host.



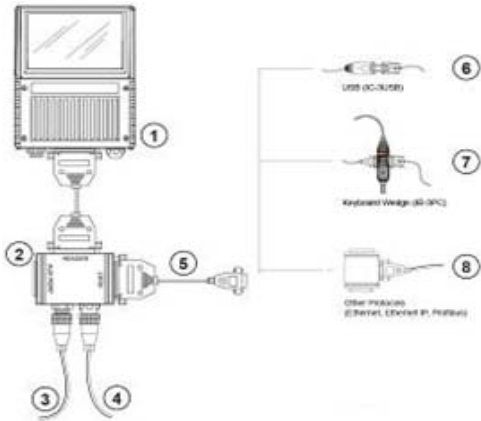
### System Matrix

Product	Reference No.	Description	List Price
1	FIS-0890-0001G	Scanner, Industrial, Long Range	Varies
2	98-000040-02	Cable, Interface & Reader, 6 ft., IB-150	\$193
3	97-000012-02	Power Supply, 100-240VAC, +24VDC, TRK 3-Pin, U.S./Euro Plug)	\$152
4	99-000004-01	Package Detector, Standard Diffuse, 120 in. Range, 4-Pin Plug	\$248
5	61-100029-03	Cable, Daisy Chain, IB-131	\$33
6	61-000034-02***	Cable, Communication/Serial, 25-Pin Socket-to-9-Pin Socket, 6 ft.	\$30
7	61-000010-02	Cable, Communication, DB-9 Socket-to-DB-9 Socket, 6 ft.	\$33
Mounting Arm Kit	98-000018-01	Mounting Arm/Adapter Kit, MS-890, 6 in.	\$99
Mounting Plate	98-000046-01	Large Base Plate, 12 in.x12 in.	\$44
User Documentation, Software	37-000010-01*	Tools Drive, User Documentation, Software	\$30

\* 1 free per order.

\*\*\* If using another communications cable, make sure it does not have RTS/CTS connected to the host.

## Optional Interface Protocols



### System Matrix

Product	Reference No.	Description	List Price
1	FIS-0890-0001G	Scanner, Industrial, Long Range	Varies
2	98-000040-02	Cable, Interface & Reader, 6 ft., IB-150	\$193
3	97-000012-02	Power Supply, 100-240VAC, +24VDC, TRK 3-Pin, U.S./Euro Plug)	\$152
4	99-000004-01	Package Detector, Standard Diffuse, 120 in. Range, 4-Pin Plug	\$248
5	61-000034-02	Cable, Communication/Serial, 25-Pin Socket-to-9-Pin Socket, 6 ft.	\$30
6***	98-000051-01	IC-3USB Interface Kit, USB-to-Serial, 15-Pin	\$91
7****	FIS-0001-0030G	IB-3PC Keyboard Wedge/Interface Box	\$165
8	Third Party	Ask your Microscan sales representative which solution is appropriate for your application.	Varies
Mounting Arm Kit	98-000018-01	Mounting Arm/Adapter Kit, MS-890, 6 in.	\$99
Mounting Plate	98-000046-01	Large Base Plate, 12 in.x12 in.	\$44
User Documentation, Software	37-000010-01*	Tools Drive, User Documentation, Software	\$30

\*1 free per order.

\*\*Refer to page 8 for a complete listing of support agreement options.

\*\*\* Pin Converter is not required for this configuration.

\*\*\*\*Set the IB-3PC to **position 2** in this configuration.

# MICROSCAN.

## MicroHAWK Auto ID Barcode Readers



- World's smallest industrial barcode readers
- Read any code on any surface
- User-friendly barcode reading platform
- Customizable hardware options

Features	ID-20	ID-30	ID-40
1D Omnidirectional Barcodes	•	•	•
1D/2D Barcodes	•	•	•
Damaged Barcodes	•	•	•
Direct Part Mark (DPM)		•	•
Enclosure	IP40	IP54	IP65/67
Ethernet TCP/IP, EtherNet/IP™			•
Ethernet over USB	•	•	
Serial (RS-232)		•	•
USB 2.0 High Speed	•	•	
Outer Illumination		•	•
Standard or High-Density	•	•	•
Color Sensor	•	•	•
High-Speed		•	•
WebLink User Interface	•	•	•



To customize your MicroHAWK, please use the MicroHAWK Builder (automated version available on OMS).

### 3 Sensor Options

- WVGA 0.3MP
- SXGA 1.2MP
- QSXGA 5MP

### 3 Decoder Options

- 1D Labels Standard
- 1D/2D Labels Plus
- 1D/2D Labels+DPM X-Mode

### 2 Speed Options

- Standard 10 frames/second
- High Max frame rate of sensor

### 2 Lens Options

- Standard Density
- High Density

### 3 Illumination Options

- Inner
- Outer Red
- Outer White



**SENSOR:**  
WVGA, SXGA  
or QSXGA



**DECODER:**  
Standard, Plus,  
or X-Mode



**SPEED:**  
Standard or  
High-Speed



**LENS:**  
Standard or  
High-Density



**LIGHTING:**  
Inner/Outer;  
Red or White LEDs

**\*\*Important Pricing Discount Note\*\*** Product discounts are applied based on the Product TYPE code shown in the TYPE column below. Product Type codes are defined as: P = PRODUCT Discount, A = ACCESSORY Discount, VP = VISION PRODUCT Discount. A Product Type code modified with L signifies Legacy Status (refer to Legacy section of this catalog). Refer to your Partner Agreement for the actual discount percentage by Product Type.

## ID-20 Series Readers Standard Configurations



IP40 enclosure  
Micro-USB connector (USB only)  
5VDC  
M2 mounting holes

### MicroHAWK ID-20 Series Readers

Part Number	Description	List Price	Type
7211-1102-0000	MICROHAWK,ID-20,WVGA,SD,102MM,RED	\$495	P
7212-1102-0000	MICROHAWK,ID-20,SXGA,SD,102MM,RED	\$795	P
7212-2102-0002	MICROHAWK,ID-20,SXGA,HD,102MM,RED,P	\$895	P
7211-1102-0004	MICROHAWK,ID-20,WVGA,SD,102MM,RED,HS,P	\$995	P
7211-1102-0005	MICROHAWK,ID-20,WVGA,SD,102MM,RED,HS,X	\$1,295	P
7212-1102-0005	MICROHAWK,ID-20,SXGA,SD,102MM,RED,HS,X	\$1,595	P

Standard configurations above, customize ID-20 on the Partner portal

Note: 7211-1102-0005 is included with Demo Kit

Note: Above ID-20 models include 6ft USB 2.0 power cable

## ID-30 Series Readers Standard Configurations



Compact size, corner cable design  
IP54 enclosure  
DB-15 connector (USB, Serial, I/O)  
5VDC  
Status Indicators  
Added Illumination Option  
M3 Mounting holes

### MicroHAWK ID-30 Series Readers

Part Number	Description	List Price	Type
7311-2102-1003	MICROHAWK,ID-30,WVGA,HD,102MM,RED,X	\$1,195	P
7312-2102-1003	MICROHAWK,ID-30,SXGA,HD,102MM,RED,X	\$1,495	P
7311-1102-1005	MICROHAWK,ID-30,WVGA,SD,102MM,RED,HS,X	\$1,595	P
7311-2102-1005	MICROHAWK,ID-30,WVGA,HD,102MM,RED,HS,X	\$1,595	P
7312-1102-1005	MICROHAWK,ID-30,SXGA,SD,102MM,RED,HS,X	\$1,895	P
7312-2102-1005	MICROHAWK,ID-30,SXGA,HD,102MM,RED,HS,X	\$1,895	P

Standard configurations above, customize ID-30 on the Partner portal

Note: 7311-2102-1005 is included with Demo Kit

## ID-40 Series Readers Standard Configurations



Industrial IP65/67 Enclosure  
M12 connectors  
Serial, TCP/IP and Ethernet IP  
Isolated I/O  
5-30VDC  
Side and Bottom M3 Mounting holes

### MicroHAWK ID-40 Series Readers

Part Number	Description	List Price	Type
7411-1102-0000	MICROHAWK,ID-40,WVGA,SD,102MM	\$995	P
7412-1102-0000	MICROHAWK,ID-40,SXGA,SD,102MM	\$1,295	P
7411-1102-1005	MICROHAWK,ID-40,WVGA,SD,102MM,RED,HS,X	\$1,895	P
7411-2102-1005	MICROHAWK,ID-40,WVGA,HD,102MM,RED,HS,X	\$1,895	P
7412-1102-1005	MICROHAWK,ID-40,SXGA,SD,102MM,RED,HS,X	\$2,195	P
7412-2102-1005	MICROHAWK,ID-40,SXGA,HD,102MM,RED,HS,X	\$2,195	P

Standard configurations above, customize ID-40 on the Partner portal

Note: 7412-2102-1005 is included with Demo Kit.

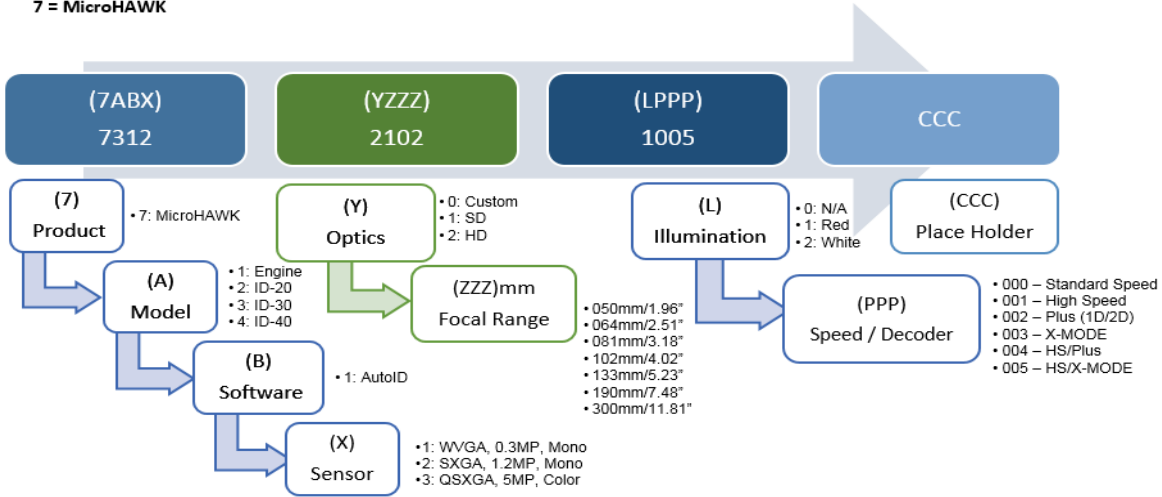
# MicroHAWK Smart Part Numbering

To customize your MicroHAWK, please use the Smart Part Numbering table below (automated version available on OMS).

18 Standard Configurations: Custom Configurations can be determined using the MicroHAWK Builder

Part Number Format: 7ABX-YZZZ-LPPP-CCC

7 = MicroHAWK



Example Part Number: **7312-2102-1005**  
 Description: ID-30, SXGA, HD, 4" Fixed Focus, Red LEDs, HS, X-Mode

**Notes:**

- LED (L): additional LEDs provide extra illumination
  - base level illumination is always included with each model
- Decoder (PPP): basic level decoding is always included with each model
  - Included: 1D (omni-directional)
  - Plus: the standard decoder option includes both 1D and 2D, for printed labels
  - X-Mode: is full decoder package; 1D, 2D, and DPM, and damaged codes
- Field Upgrades: Speed, Decoder and Illumination are field upgradeable via licenses or purchase of illumination kit.

**Part Description Legend**

- SD = STANDARD DENSITY LENS
- HD = HIGH DENSITY LENS
- RED = RED ILLUM
- WHT= WHITE ILLUM
- HS = HIGH SPEED
- P = PLUS DECODER
- X = X-MODE DECODER

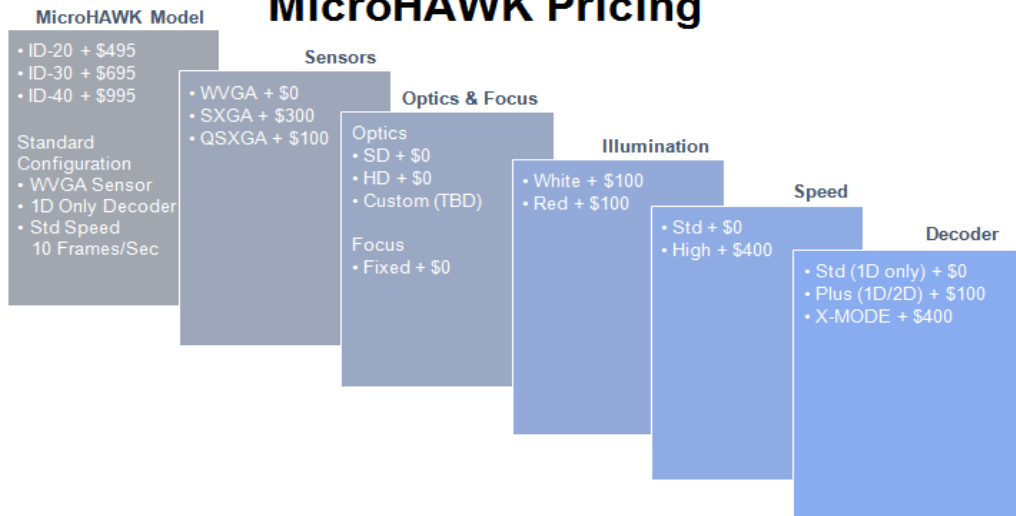
**Sensor Table**

	Pixels (HxV), MP	Shutter	Frame Rate (Standard/High)
WVGA	752x480, 0.3MP, Monochrome	Global	10 fps / 60 fps
SXGA	1280x960, 1.2MP, Monochrome	Global	10 fps / 42 fps
QSXGA	2592x1944, 5MP, Color	Rolling	5 fps

Note: Focus Distance (ZZZ) is factory-set and available in 7 standard options

Note: For Focus Range and Resolution data for each Focus Distance (ZZZ) setting, please refer to Specification Sheet or Manual

## MicroHAWK Pricing



Note: 1.2MP SXGA uses latest sensor technology, with improved sensitivity.

## MicroHAWK Accessories

### MicroHAWK Connectivity Cables

Part Number	Description	List Price	Type
61-9000034-01	CABLE,USB A to MicroB,6FT,MICROHAWK-20	\$ 20.00	A
61-9000045-01	CABLE,USB A to MicroB,3FT,MICROHAWK-20	\$ 20.00	A
61-9000037-01	CABLE,DB15 to EXT PWR/RS232,MICROHAWK-30 (Cable only)	\$ 75.00	A
61-9000038-01	CABLE,DB15 to EXT PWR/USB,MICROHAWK-30 (Cable only)	\$ 75.00	A
61-9000039-01	CABLE,DB15 to EXT PWR/USB,I/O,MICROHAWK-30 (Cable only)	\$ 95.00	A
61-9000043-01	CABLE,DB15 to BUS PWR USB,MICROHAWK-30	\$ 65.00	A
61-9000102-01	CABLE,DB15 to USB/RS232 TRIGGERED,MICROHAWK-30 (Cable only)	\$ 140.00	A

Note: ID-40 compatible with QX series Screw-On cables and accessories (with exception to Ultra Lock, quick disconnect cables).

### MicroHAWK Connectivity Cable Kits

Part Number	Description	List Price	Type
98-9000048-01	KIT,CABLE,DB15 to EXT PWR/RS232,W/PWR SUPPLY,MICROHAWK-30 ** INCLUDES PN:61-9000037-01 and PN:97-9000006-01	\$ 105.00	A
98-9000049-01	KIT,CABLE,DB15 to EXT PWR/USB,W/PWR SUPPLY,MICROHAWK-30 ** INCLUDES PN:61-9000038-01 and PN:97-9000006-01	\$ 105.00	A
98-9000050-01	KIT,CABLE,DB15 to EXT PWR/USB,I/O,W/PWR SUPPLY,MICROHAWK-30 ** INCLUDES PN:61-9000039-01 and PN:97-000011-02 *** RECOMMENDED TO PURCHASE SEPARATELY: (Select one of below, not included with Kit) - PN:99-000019-01,PHOTO SENSOR,VIS,NPN,5VDC,LIGHT ON - PN:61-000151-01,FLYING LEAD CABLE	\$ 185.00	A

### MicroHAWK Power Supplies

Part Number	Description	List Price	Type
97-9000006-01	Power Supply, 5V for use with 61-9000037-01 & 61-9000038-01 cables	\$ 35.00	A
97-000011-02	Power Supply, 100-240VAC, +5VDC, 2-Pin Plug, U.S./Euro Plug	\$ 91.00	A
97-000012-01	Power Supply, 100-240VAC, +24VDC, M12 12-Pin Socket	\$ 133.00	A

Note: 97-000011-02 is for ID-30 with cable 61-9000039-01 & kit 98-9000050-01

### MicroHAWK Mounting

Part Number	Description	List Price	Type
98-9000034-01	KIT,ADAPTER,MS-4 to MICROHAWK-20	\$ 45.00	A
98-9000041-01	KIT,L BRACKET,MICROHAWK	\$ 45.00	A
98-9000047-01	KIT,1/4-20 CAMERA MOUNT,MICROHAWK	\$ 25.00	A
98-9000052-01	KIT,MOUNTING STAND RAM, MS-3,MS-4,MINI,MICROHAWK,4"	\$ 85.00	A
98-9000053-01	KIT,MOUNTING STAND RAM, MS-3,MS-4,MINI,MICROHAWK,3"	\$ 85.00	A
98-9000054-01	KIT,MOUNTING,APG,MS-4,MINI,MICROHAWK	\$ 200.00	A
98-9000059-01	KIT, ADAPTER PLATE,MS-4,MINI TO MICROHAWK	\$ 95.00	A

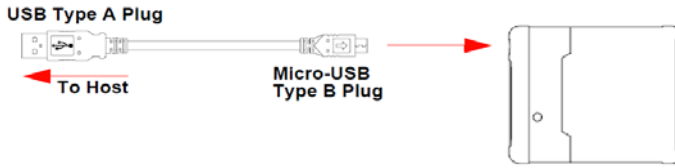
### MicroHAWK Accessories

Part Number	Description	List Price	Type
98-9000043-01	KIT,DIFFUSER,MICROHAWK-30/40	\$ 75.00	A
98-9000044-01	KIT,POLARIZER,MICROHAWK-30/40	\$ 125.00	A
98-9000045-01	KIT,RED LED,MICROHAWK-30/40	\$ 125.00	A
98-9000046-02	KIT,WHITE LED,MICROHAWK-30/40	\$ 125.00	A
98-9000051-01	KIT,WINDOW,MICROHAWK-30/40	\$ 35.00	A
98-9000057-01	KIT, RA MIRROR, MICROHAWK-20	\$ 120.00	A
98-9000058-01	KIT, RA MIRROR, MICROHAWK-30/40	\$ 120.00	A
98-9000064-01	KIT,ISOLATION MOUNTING,M3, MICROHAWK-30/40	\$ 14.95	A

# Stand Alone Configurations

Note: Daisy-Chain Configurations are currently not available.

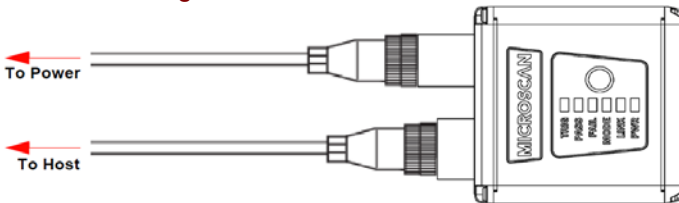
## ID-20 Series Imagers



## ID-30 Series Imagers



## ID-40 Series Imagers



### Tech Reference MicroHAWK ID-20

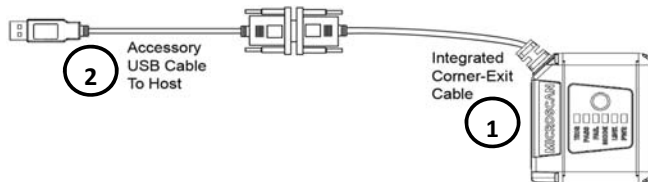


### System Matrix

Product	Reference No. & Description	List Price
1	MicroHAWK ID-20	Varies
2	61-9000034-01, CABLE,USB A to MicroB,6FT,MICROHAWK-20	\$ 20.00
2	61-9000045-01, CABLE,USB A to MicroB,3FT,MICROHAWK-20	\$ 20.00

### Tech Reference MicroHAWK ID-30

## Stand Alone with DB-15 to BUS PWR USB Type A



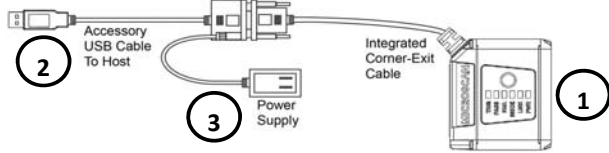
### System Matrix

Product	Reference No. & Description	List Price
1	MicroHAWK ID-30	Varies
2	61-9000043-01, CABLE,DB15 to BUS PWR USB,MICROHAWK-30	\$ 65.00

Note: Bus powered cable delivers reduced illumination...approximately 30% less brightness

Note: Does not include I/O interface option: trigger cable with photo-sensor, or flying lead cable

## Stand Alone with DB15 to EXT PWR/USB Type A

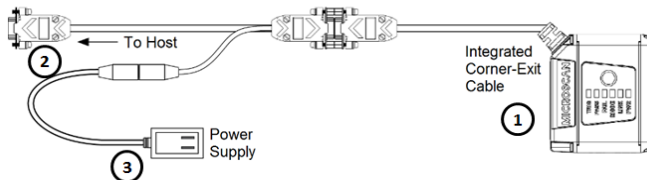


### System Matrix

Product	Reference No. & Description	List Price
1	MicroHAWK ID-30	Varies
2	61-9000038-01, CABLE,DB15 to EXT PWR/USB,MICROHAWK-30	\$ 75.00
3	97-9000006-01, POWER SUPPLY,5V,for PN:61-9000037-01 & PN:61-9000038-01	\$ 35.00
	98-9000049-01, KIT,CABLE,DB15 to EXT PWR/USB,W/PWR SUPPLY,MICROHAWK-30	\$ 105.00

Note: Does not include I/O interface option: trigger cable with photo-sensor, or flying lead cable.

## Stand Alone with DB15 to EXT PWR/RS232



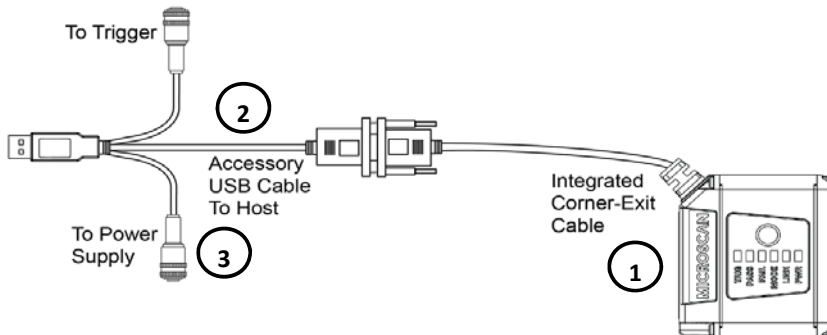
### System Matrix

Product	Reference No. & Description	List Price
1	MicroHAWK ID-30	Varies
2	61-9000037-01,CABLE,DB15 to EXT PWR/RS232,MICROHAWK-30 (Cable only)	\$ 75.00
3	97-9000006-01, POWER SUPPLY,5V,for PN:61-9000037-01 & PN:61-9000038-01	\$ 35.00
	98-9000048-01, KIT,CABLE,DB15 to EXT PWR/RS232,W/PWR SUPPLY,MICROHAWK-30 ** INCLUDES PN:61-9000037-01 and PN:97-9000006-01	\$ 105.00

Note: Does not include I/O interface option: trigger cable with photo-sensor, or flying lead cable.

Note: RS232 Connector to host is a standard DB-9.

## Stand Alone with DB15 to EXT PWR/USB,I/O

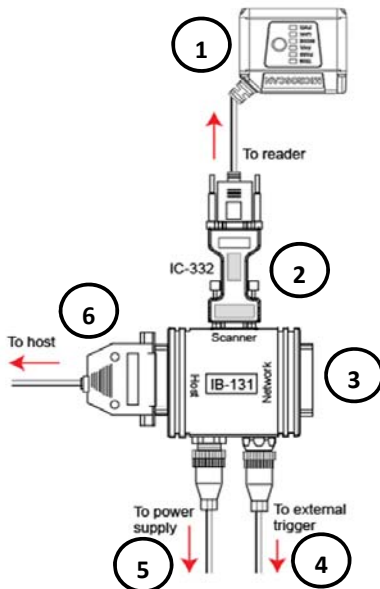


### System Matrix

Product	Reference No. & Description	List Price
1	MicroHAWK ID-30	Varies
2	61-9000039-01, CABLE,DB15 to EXT PWR/USB,I/O,MICROHAWK-30 (Cable only)	\$ 95.00
3	97-000011-02, Power Supply, 100-240VAC, +5VDC, 2-Pin Plug, U.S./Euro Plug	\$ 91.00
	98-9000050-01, KIT,CABLE,DB15 to EXT PWR/USB,I/O,W/PWR SUPPLY,MICROHAWK-30 ** INCLUDES PN:61-9000039-01 and PN:97-000011-02	\$ 185.00



## Stand Alone with IB-131 and IC-332

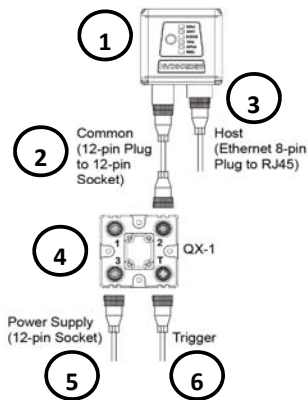


### System Matrix

Product	Reference No. & Description	List Price
1	MicroHAWK ID-30	Varies
2	FIS-0001-0035G, Converter, IC-332, 24V/5V, Opto I/O, for Use with IB-131	\$ 182.00
3	99-000018-01, IB-131 Interface Box	\$ 182.00
4	99-000019-01, Photo Sensor, Visible, NPN, Light On, 5VDC	\$ 193.00
5	97-000012-02, Power Supply, 100-240VAC, +24VDC, TRK 3-Pin, U.S./Euro Plug)	\$ 152.00
6	61-300026-03, Cable, Communication, DB-25 Plug-to-DB-9 Socket, 6 ft.	\$ 33.00

## Tech Reference MicroHAWK ID-40

## Stand Alone with QX-1 Interface



### System Matrix

Product	Reference No. & Description	List Price
1	MicroHAWK ID-40	Varies
2	61-000162-02, QX Cordset, Common, M12 12-Pin Socket (Screw-On)-to-M12	\$81
3	61-000160-03, QX Cordset, Host, Ethernet, M12 8-Pin Plug (Screw-On)-to-RJ45, 1 m.	\$80
4	98-000103-02, QX-1 Interface Device	\$195
5	97-000012-01, Power Supply, 100-240VAC, +24VDC, M12 12-Pin Socket	\$133
6	99-000020-01, QX Photo Sensor, M12 4-Pin Plug, NPN, Dark Off, 2 m.	\$193
6	99-000020-02, QX Photo Sensor, M12 4-Pin Plug, NPN, Dark, On, 2 m.	\$193

# MICROSCAN

## Auto ID 2D Readers and Verifiers

### MS-2D Scan Engine



MS-2D Scan Engine with Bracket and integrated Decode Board



MS-2D Scan Engine with Tabs and separate Decode Board

2014-2015 YTD Best Sellers
1) FIS-MS2D-0002G
2) FIS-MS2D-0004G

### READ RANGE TABLE

Narrow-Bar	Read Range
<b>STANDARD DENSITY</b>	
<b>1D</b>	
.0050" (.127 mm)	3.7 to 5.0" (94 to 127 mm)
.0075" (.191 mm)	2.2 to 6.5" (56 to 165 mm)
.010" (.254 mm)	1.5 to 8.0" (38 to 203 mm)
.020" (.508 mm)	2.3 to 15.5" (58 to 394 mm)
<b>2D</b>	
.0050" (.127 mm)	3.7 to 4.6" (94 to 117 mm)
.0075" (.191 mm)	1.5 to 6.0" (38 to 152 mm)
.010" (.254 mm)	1.6 to 7.7" (41 to 196 mm)
.020" (.508 mm)	1.6 to 9.4" (41 to 239 mm)

Note: Subject to change. Working ranges are a combination of both wide angle and high density fields

**\*\*Important Pricing Discount Note\*\*** Product discounts are applied based on the Product TYPE code shown in the TYPE column below.

Product Type codes are defined as: P = PRODUCT Discount, A = ACCESSORY Discount, VP = VISION PRODUCT Discount.

A Product Type code modified with L signifies Legacy Status (refer to Legacy section of this catalog).

Refer to your Partner Agreement for the actual discount percentage by Product Type.

Note: MS-2D Engines must be ordered in multiples of 10pc. List Price 1pc each.

#### MS-2D Scan Engine

Part Number	Description	List Price	Type
FIS-MS2D-0001G	MS-2D Engine, USB, Tabs, 12 in. Ribbon, Standard Focus	\$299	A
FIS-MS2D-0002G	MS-2D Engine, USB, Bracket, 12 in. Ribbon, Standard Focus	\$315	A
FIS-MS2D-0003G	MS-2D Engine, Serial, Tabs, 12 in. Ribbon, Standard Focus	\$299	A
FIS-MS2D-0004G	MS-2D Engine, Serial, Bracket, 12 in. Ribbon, Standard Focus	\$315	A

Note: MS-2D Engines must be ordered in multiples of 10 units.

Note: Ribbon cables must be ordered in multiples of 10pc. List Price 1pc each.

#### Accessories

Part Number	Description	List Price	Type
61-000209-01	MS-2D Ribbon Cable, Engine-to-Host, 2 in.	\$8	A
61-000209-02	MS-2D Ribbon Cable, Engine-to-Host, 6 in.	\$10	A
61-000209-03	MS-2D Ribbon Cable, Engine-to-Host, 12 in.	\$12	A
98-000224-01	MS-2D Demo Kit, USB	\$599	A
98-000224-02	MS-2D Demo Kit, Serial	\$599	A

Note: MS-2D Ribbon Cables must be ordered in multiples of 10 units.

#### Software / Manuals

Part Number	Description	List Price	Type
37-000010-01*	Tools Drive, User Documentation, Software	\$30	A

\* One free per order.

# MICROSCAN

MINI Hawk Series of Imagers



## High Resolution (HR) Specification

Narrow-bar-width		Field of View (maximum)	Read Range (with autofocus)
1D	2D		
<b>Ultra High Density</b>			
.0033" (0.08 mm)	.005" (.13 mm)	2.2" (56 mm)	2.0 to 4.4" (51 mm to 112 mm)
.0075" (0.19 mm)	.010" (.25 mm)	3.6" (91 mm)	1.9 to 6.7" (48 mm to 170 mm)
.015" (0.38 mm)	.020" (.51 mm)	4.0" (102 mm)	1.9 to 7.7" (48 mm to 196 mm)
<b>High Density</b>			
.005" (0.13 mm)	.0075" (.19 mm)	3.1" (79 mm)	1.5 to 6.0" (38 mm to 152 mm)
.0075" (0.19 mm)	.010" (.25 mm)	4.2" (107 mm)	1.2 to 8.0" (30 mm to 203 mm)
.015" (0.38 mm)	.020" (.51 mm)	5.6" (142 mm)	0.9 to 10.5" (23 mm to 267 mm)
<b>Standard Density</b>			
.005" (0.13 mm)	.0075" (.19 mm)	3.2" (81 mm)	1.8 to 3.5" (46 mm to 89 mm)
.0075" (0.19 mm)	.010" (.25 mm)	4.2" (107 mm)	1.6 to 5.0" (41 mm to 127 mm)
.010" (0.25 mm)	.015" (.38 mm)	6.8" (173 mm)	1.4 to 7.5" (36 mm to 191 mm)
.020" (0.51 mm)	.030" (.76 mm)	9.5" (241 mm)	1.0 to 11.0" (25 mm to 279 mm)

2014-2015 YTD Best Sellers
1) FIS-6300-4009G
2) FIS-6300-4008G
3) FIS-6300-5006G
4) FIS-6300-5005G

## High Speed (HS) Specification

Narrow-bar-width		Field of View (maximum)	Read Range (with autofocus)
1D	2D		
<b>Ultra-High Density</b>			
.0033" (.08 mm)	.005" (.13 mm)	1.6" (40 mm)	1.9 to 4.4" (47 mm to 110 mm)
.0075" (.19 mm)	.010" (.25 mm)	2.5" (64 mm)	1.7 to 6.7" (42 mm to 170 mm)
.015" (.38 mm)	.020" (.51 mm)	2.9" (74 mm)	1.5 to 8.0" (38 mm to 203 mm)
<b>Standard Density</b>			
.005" (.13 mm)	.0075" (.19 mm)	2.8" (72 mm)	1.6 to 4.4" (41 mm to 112 mm)
.0075" (.19 mm)	.010" (.25 mm)	3.8" (97 mm)	1.5 to 6.2" (38 mm to 157 mm)
.010" (.25 mm)	.015" (.38 mm)	4.7" (118 mm)	1.4 to 7.6" (36 mm to 193 mm)
.020" (.51 mm)	.030" (.76 mm)	6.2" (158 mm)	1.3 to 10.0" (33 mm to 254 mm)

Listed above is the read range chart for MINI Hawk (Xi) Imagers. See MINI Hawk 3MP section for additional specifications

**\*\*Important Pricing Discount Note\*\* Product discounts are applied based on the Product TYPE code shown in the TYPE column below.**

Product Type codes are defined as: P = PRODUCT Discount, A = ACCESSORY Discount, VP = VISION PRODUCT Discount.

A Product Type code modified with L signifies Legacy Status (refer to Legacy section of this catalog).

Refer to your Partner Agreement for the actual discount percentage by Product Type.

### MINI Hawk Xi



#### MINI Hawk Xi Imagers

Part Number	Description	List Price	Type
FIS-6310-1110G	MINI Hawk Xi Imager, High Resolution, SD, Ethernet, 24V	\$2,195	P
FIS-6310-1210G	MINI Hawk Xi Imager, High Resolution, HD, Ethernet, 24V	\$2,195	P
FIS-6310-1310G	MINI Hawk Xi Imager, High Resolution, Ultra HD, Ethernet, 24V	\$2,195	P
FIS-6310-1100G	MINI Hawk Xi Imager, High Speed, SD, Ethernet, 24V	\$2,195	P
FIS-6310-1300G	MINI Hawk Xi Imager, High Speed, Ultra HD, Ethernet, 24V	\$2,195	P

### MINI Hawk ESD Safe



Performance specifications match MINI Hawk High Resolution

#### MINI Hawk ESD Safe Imagers

Part Number	Description	List Price	Type
FIS-6300-1011G	MINI Hawk Imager, SD, ESD Safe, RS-232/RS-422/RS-485, 5VDC	\$2,290	P
FIS-6300-1012G	MINI Hawk Imager, HD, ESD Safe, RS-232/RS-422/RS-485, 5VDC	\$2,290	P
FIS-6300-1013G	MINI Hawk Imager, Ultra HD, ESD Safe, RS-232/RS-422/RS-485, 5VDC	\$2,290	P

# MICROSCAN

## MINI Hawk 3MP



### 3MP Specification

Narrow-bar-width		Field of View (maximum)	Read Range (using autofocus)
1D	2D		
<b>Micro Density</b>			
.0028" (.07mm)	.0033" (.08 mm)	1.2" (30.4 mm)	1.9 to 2.0" (48.3 mm to 50.8 mm)
.0033" (.08 mm)	.005" (.13 mm)	4" (101.6 mm)	1.9 to 5.1" (48.3 mm to 129.5 mm)
.0075" (.19 mm)	.010" (.25 mm)	4.5" (114.3 mm)	1.7 to 5.6" (43.2 mm to 142.2 mm)
.015" (.38 mm)	.020" (.51 mm)	5.0" (127 mm)	1.7 to 6" (43.2 mm to 152.4 mm)
<b>Standard Density</b>			
.0033" (.08 mm)	.005" (.13 mm)	3.2" (81.3 mm)	1.9 to 3" (48 mm to 76.2 mm)
.005" (.13 mm)	.0075" (.19 mm)	5.0" (127 mm)	1.8 to 4.8" (46 mm to 121.9 mm)
.0075" (.19 mm)	.010" (.25 mm)	6.2" (157.5 mm)	1.6 to 6.5" (41 mm to 165.1 mm)
.010" (.25 mm)	.015" (.38 mm)	8.5" (215.9 mm)	1.4 to 8.5" (36 mm to 215.9 mm)
.020" (.51 mm)	.030" (.76 mm)	9.5" (241 mm)	1.0 to 10" (25 mm to 254 mm)

### MINI Hawk 3MP Imagers

Part Number	Description	List Price	Type
FIS-6300-2013G	MINI Hawk Imager, 3 Megapixel Imager, Micro Density, Serial, 5VDC	\$2,990	P
FIS-6300-2014G	MINI Hawk Imager, 3 Megapixel Imager, SD, Serial, 5VDC	\$2,990	P
FIS-6300-2015G*	MINI Hawk Imager, 3 Megapixel Imager, Micro Density, USB & I/O, 5VDC	\$3,090	P
FIS-6300-2016G*	MINI Hawk Imager, 3 Megapixel Imager, SD, USB & I/O, 5VDC	\$3,090	P

\* Cable terminated with USB type A connector. Includes required power supply.

## MINI Hawk High Resolution



### MINI Hawk High Resolution

Part Number	Description	List Price	Type
FIS-6300-4007G	MINI Hawk Imager, High Resolution, SD, Serial, 5VDC	\$1,990	P
FIS-6300-4008G	MINI Hawk Imager, High Resolution, HD, Serial, 5VDC	\$1,990	P
FIS-6300-4009G	MINI Hawk Imager, High Resolution, Ultra HD, Serial, 5VDC	\$1,990	P
FIS-6300-4010G*	MINI Hawk Imager, High Resolution, SD, USB & I/O, 5VDC	\$2,090	P
FIS-6300-4011G*	MINI Hawk Imager, High Resolution, HD, USB & I/O, 5VDC	\$2,090	P
FIS-6300-4012G*	MINI Hawk Imager, High Resolution, Ultra HD, USB & I/O, 5VDC	\$2,090	P

\* Cable terminated with USB type A connector. Includes required power supply.

## MINI Hawk High Speed



### MINI Hawk High Speed Imagers

Part Number	Description	List Price	Type
FIS-6300-5005G	MINI Hawk Imager, High Speed, SD, Serial, 5VDC	\$1,990	P
FIS-6300-5006G	MINI Hawk Imager, High Speed, Ultra HD, Serial, 5VDC	\$1,990	P
FIS-6300-5007G*	MINI Hawk Imager, High Speed, SD, USB & I/O, 5VDC	\$2,090	P
FIS-6300-5008G*	MINI Hawk Imager, High Speed, Ultra HD, USB & I/O, 5VDC	\$2,090	P

\* Cable terminated with USB type A connector. Includes required power supply.

# MICROSCAN

## MINI Hawk Accessories

Accessories			
Part Number	Description	List Price	Type
FIS-0210-0001G	MS-Connect 210, Connectivity Box with Display	\$849	A
FIS-0210-0002G	MS-Connect 210, Connectivity Box	\$549	A
FIS-0210-0003G	MS-Connect 210, Connectivity Box with Display & Ethernet	\$949	A
FIS-0210-0004G	MS-Connect 210, Connectivity Box with Ethernet	\$849	A
98-000013-04	Relay Mod., 120VAC, 3A Output, Series 70, Type SM, for MS-Connect 210 & MS-890	\$52	A
98-000013-05	Relay Mod., 240VAC, 3A Output, Series 70, Type SM, for MS-Connect 210 & MS-890	\$52	A
98-000013-06	Relay Module, 24VDC, 3 Amp Output, Series 70, Type SM, for MS-Connect 210,MS-890	\$52	A
61-000127-02	Cable, MS-2-to-MS-Connect 210, 6 ft.	\$110	A
FIS-0001-0035G	Converter, IC-332, 24V/5V, Opto I/O, for Use with IB-131	\$182	A
99-000018-01	IB-131 Interface Box	\$182	A
61-300026-03	Cable, Communication, DB-25 Plug-to-DB-9 Socket, 6 ft.	\$33	A
61-100029-03	Cable, Daisy Chain, IB-131	\$33	A
61-000011-02	Extension Cable, Reader-to-IB-131 (MS-2, MS-3, MS-4, MS-9, MS-710, MS-820, MINI)	\$33	A
61-000151-01	Cable, MINI USB, I/O Breakout, Flying Leads, 3 ft.	\$33	A
98-000098-01	Kit, MINI Diffuser	\$55	A
98-000086-02*	Demo Kit, MINI Hawk	\$655	A

\* This Demo Kit does not contain a reader and is discounted 25%. The separately purchased reader is discounted 60%.

Power Supply			
Part Number	Description	List Price	Type
97-000011-02	Power Supply, 100-240VAC, +5VDC, 2-Pin Plug, U.S./Euro Plug	\$91	A
97-000012-01	Power Supply, 100-240VAC, +24VDC, M12 12-Pin Socket	\$133	A
97-000012-02	Power Supply, 100-240VAC, +24VDC, TRK 3-Pin, U.S./Euro Plug)	\$152	A

Mounting and Connectors			
Part Number	Description	List Price	Type
98-000048-01	Kit, Mounting Arm/Adapter, 4 in., for MS-2, MS-3	\$77	A
98-000054-01	Kit, Mounting Stand Base Plate	\$33	A
98-000053-01	Mounting Arm Extension Kit, 4 in., for MS-3, MS-4, MINI	\$39	A
98-000053-02	Mounting Arm Extension Kit, 3 in., for MS-2, MS-3, MS-4, MINI	\$39	A
98-000060-01	Kit, Bracket, Side Mount, MS-2, MS-3, MINI	\$22	A
98-000059-01	Kit, Bracket, Angle Mount, MS-2, MS-3, MINI	\$22	A
98-000057-02	Kit, Bracket, Through-Hole Mount, MS-2, MS-3, MINI	\$22	A
98-000088-01	Kit, Right Angle Mirror, MS-4/MINI Hawk/Vision MINI	\$55	A
20-610024-01	Trigger Connector, 4-Pin Plug (Screw Terminal, Field-Wireable) (Self-Wiring)	\$33	A
20-610020-01	Power Conn.,3-Pin Socket (Screw Term.,Field-Wireable for Custom IB-131 Wiring)	\$33	A
99-000055-01	Bracket, Smart Series DOAL-50 mm-to-Vision MINI & MINI Hawk	\$253	A
99-000057-01	Bracket, Smart Series DOAL-75 mm-to-Vision MINI & MINI Hawk	\$253	A
99-000059-01	Bracket, Smart Series DOAL-100 mm-to-Vision MINI & MINI Hawk	\$253	A
99-000053-01	Bracket, Smart Series Ring-60/70 mm-to-Vision MINI & MINI Hawk	\$138	A
99-000054-01	Bracket, Smart Series Ring-100 mm-to-Vision MINI & MINI Hawk	\$138	A

Package Detector/Sensor			
Part Number	Description	List Price	Type
99-000017-01	Photo Sensor, Visible, NPN, Dark ON	\$193	A
99-000017-02	Photo Sensor, Visible, NPN, Light ON	\$193	A
99-000019-01	Photo Sensor, Visible, NPN, Light On, 5VDC	\$193	A

Software/Manuals			
Part Number	Description	List Price	Type
37-000010-01*	Tools Drive, User Documentation, Software	\$30	A

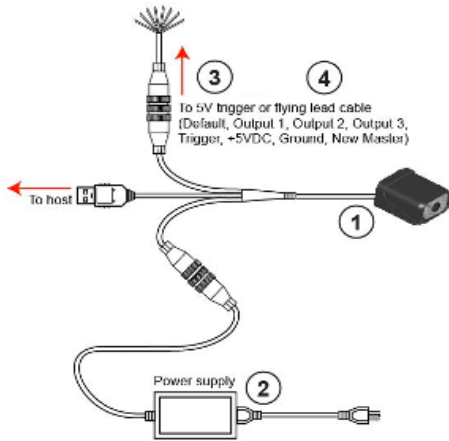
\*One free per order

# MICROSCAN.

## Tech Reference *MINI Hawk*

### USB

This is the basic setup for a single USB MINI Hawk.



### System Matrix

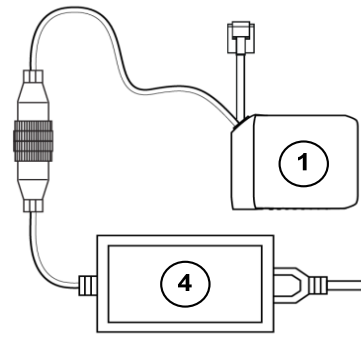
Product	Reference No.	Description	List Price
1	FIS-6300-XXXXG	MINI Imager, USB	Varies
2	97-000011-02	Power Supply, 100-240VAC, +5VDC, 2-Pin Plug, U.S./Euro Plug	\$91
3	99-000019-01	Photo Sensor, Visible, NPN, Light On, 5VDC	\$193
4	61-000151-01	Cable, MINI USB, I/O Breakout, Flying Leads, 3 ft.	\$33
Mounting Arm/Adapter Kit	98-000048-01	Kit, Mounting Arm/Adapter, 4 in., for MS-2, MS-3	\$77
Mounting Plate	98-000054-01	Kit, Mounting Stand Base Plate	\$33
User Documentation, Software	37-000010-01**	Tools Drive, User Documentation, Software	\$30
Replacement Power Supply	97-000011-02*	Power Supply, 100-240VAC, +5VDC, 2-Pin Plug, U.S./Euro Plug	\$91

\*Required power supply included with each reader.

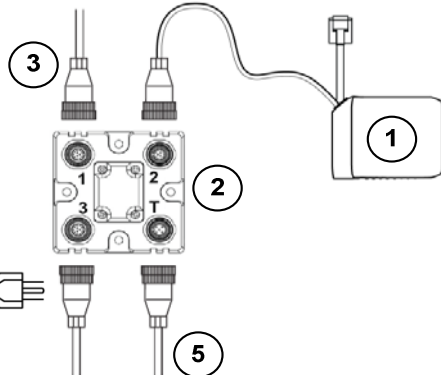
\*\* 1 free per order.

**Note:**  
**Additional MINI Hawk Tech References are equal to MS-3 Laser with the exception of USB**  
**Visit the MS-3 Laser section for configuration references**

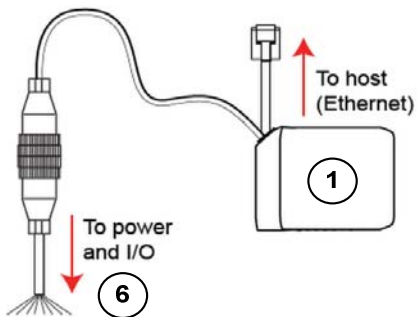
### Stand Alone



### Stand Alone with QX-1



### Stand Alone with Flying Leads



#### Wire Colors

1	WHITE
2	BROWN
3	GREEN
4	YELLOW
5	GRAY
6	PINK
7	BLUE
8	RED
9	BLACK
10	VIOLET
11	GRAY STRIPED PINK
12	RED STRIPED BLUE

### System Matrix

Product	Reference No.	Description	List Price
1	FIS-6310-1XX0G	MINI Hawk Xi	Varies
2	98-000103-02	QX-1 Interface Device	\$195
3	61-000153-01	QX Cordset, Host, Serial, M12 12 Pin Socket (Ultralock) to DB9 Socket, 1M	\$80
4	97-000012-01	Power Supply, 100-240VAC, +24VDC, M12 12-Pin Socket	\$133
5	99-000020-02	QX Photo Sensor, M12 4-Pin Plug, NPN, Dark On, 2 m.	\$193
6	61-000167-02	QX Cordset, M12 12-Pin Socket (Screw-On)-to-Flying Leads, 3 m.	\$88
Mounting Arm/Adapter Kit	98-000048-01	Kit, Mounting Arm/Adapter, 4 in., for MS-2, MS-3	\$77
Mounting Plate	98-000054-01	Kit, Mounting Stand Base Plate	\$33
User Documentation, Software	37-000010-01**	Tools Drive, User Documentation, Software	\$30
Replacement Power Supply	97-000012-01*	Power Supply, 100-240VAC, +24VDC, M12 12-Pin Socket	\$133

\*Required power supply included with each reader.

\*\* 1 free per order.

# MICROSCAN.

**QX Hawk High Performance, Flexible, Industrial Imager for Auto ID**



**Compact Size  
Fast and Powerful  
X-Mode Algorithms  
Liquid Lens Imaging System  
QX Platform  
Integrated Ethernet  
IP65/67**

**INTEGRATED OPTICS MODEL: CMOS MODULAR ZOOM OPTICS**

Inches (mm)

12°	Narrow-bar-width		Read Range (using autofocus)	Field of View		Depth of Field	
	1D	2D		Inside Edge	Outside Edge	Inside Edge	Outside Edge
	0.0033 (0.08)	0.0005 (0.13)	3.4 to 5 (86 to 152)	0.9 (23)	1.42 (36)	0.2 (5)	0.4 (10)
	0.0075 (0.19)	0.010 (0.25)	3.3 to 12.2 (83 to 310)	0.9 (23)	2.62 (66)	0.4 (10)	1.5 (38)
	0.0150 (0.38)	0.020 (0.51)	3.3 to 13 (82 to 330)	0.9 (23)	2.77 (70)	0.5 (13)	3.5 (89)
	0.0350 (0.89)	0.050 (1.27)	4 to 16 (101 to 406)	1.03 (26)	3.34 (85)	0.7 (18)	6.5 (165)

15°	Narrow-bar-width		Read Range (using autofocus)	Field of View		Depth of Field	
	1D	2D		At Inside Edge	At Outside Edge	Inside Edge	Outside Edge
	0.0033 (0.08)	0.0005 (0.13)	1.9 to 5 (48 to 127)	0.75 (19)	1.53 (39)	0.3 (6)	0.4 (10)
	0.0075 (0.19)	0.010 (0.25)	1.8 to 8 (46 to 203)	0.72 (18)	2.28 (58)	0.4 (10)	1 (25)
	0.0150 (0.38)	0.020 (0.51)	1.75 to 9 (44 to 229)	0.72 (18)	2.52 (64)	0.5 (13)	3 (76)
	0.0350 (0.89)	0.050 (1.27)	2 to 10.8 (76 to 274)	1.03 (26)	2.96 (75)	0.6 (15)	4 (104)

30°	Narrow-bar-width		Read Range (using autofocus)	Field of View		Depth of Field	
	1D	2D		Inside Edge	Outside Edge	Inside Edge	Outside Edge
	0.0033 (0.08)	0.0005 (0.13)	1 to 3 (25 to 76)	0.83 (21)	1.8 (46)	0.4 (10)	0.8 (20)
	0.0075 (0.19)	0.010 (0.25)	1 to 6.5 (25 to 165)	0.83 (21)	3.5 (89)	0.8 (20)	1.8 (46)
	0.0150 (0.38)	0.020 (0.51)	1 to 16 (25 to 406)	0.83 (21)	8.3 (211)	2 (51)	8.5 (216)
	0.0350 (0.89)	0.050 (1.27)	2 to 32 (51 to 813)	1.3 (33)	16.4 (417)	3 (76)	21.5 (546)

45°	Narrow-bar-width		Read Range (using autofocus)	Field of View		Depth of Field	
	1D	2D		Inside Edge	Outside Edge	Inside Edge	Outside Edge
	0.0075 (0.19)	0.010 (0.25)	1 to 5 (25 to 127)	1.3 (33)	4.1 (104)	1.5 (38)	2 (51)
	0.0150 (0.38)	0.020 (0.51)	1 to 9.5 (25 to 241)	1.3 (33)	7.5 (191)	2 (51)	6 (152)
	0.0350 (0.89)	0.050 (1.27)	1 to 23.5 (25 to 597)	1.3 (33)	18.3 (465)	3.8 (97)	19 (483)

NOTE: Read ranges are for specific element sizes as listed in the tables.

**INTEGRATED OPTICS MODEL: CCD MODULAR ZOOM OPTICS**

Inches (mm)

12°	Narrow-bar-width		Read Range (using autofocus)	Field of View		Depth of Field	
	1D	2D		Inside Edge	Outside Edge	Inside Edge	Outside Edge
	0.002 (0.05)	0.0033 (0.08)	3.5 to 7 (87 to 178)	0.9 (23)	1.62 (41)	0.1 (3)	0.3 (8)
	0.005 (0.13)	0.0075 (0.19)	3.4 to 12 (86 to 304)	0.9 (23)	2.62 (66)	0.2 (5)	1 (25)
	0.010 (0.25)	0.0150 (0.38)	3.3 to 13 (83 to 330)	0.9 (23)	2.77 (70)	0.4 (10)	2.5 (64)
	0.020 (0.51)	0.0300 (0.76)	4 to 14 (101 to 355)	1.03 (26)	2.96 (75)	0.6 (15)	5 (127)

15°	Narrow-bar-width		Read Range (using autofocus)	Field of View		Depth of Field	
	1D	2D		At Inside Edge	At Outside Edge	Inside Edge	Outside Edge
	0.002 (0.05)	0.0033 (0.08)	2 to 5 (51 to 127)	0.78 (20)	1.53 (39)	0.2 (5)	0.4 (10)
	0.005 (0.13)	0.0075 (0.19)	1.9 to 8.3 (48 to 210)	0.75 (19)	2.35 (60)	0.3 (8)	1 (25)
	0.010 (0.25)	0.0150 (0.38)	1.9 to 9.5 (47 to 241)	0.75 (19)	2.65 (67)	0.5 (13)	3 (76)
	0.020 (0.51)	0.0300 (0.76)	3 to 10.3 (76 to 261)	1.03 (26)	2.84 (72)	0.6 (15)	4.5 (114)

30°	Narrow-bar-width		Read Range (using autofocus)	Field of View		Depth of Field	
	1D	2D		Inside Edge	Outside Edge	Inside Edge	Outside Edge
	0.002 (0.05)	0.0033 (0.08)	1 to 3 (25 to 76)	0.83 (21)	1.8 (46)	0.4 (10)	0.8 (20)
	0.005 (0.13)	0.0075 (0.19)	1 to 6.5 (25 to 165)	0.83 (21)	3.5 (89)	0.8 (20)	1.8 (46)
	0.010 (0.25)	0.0150 (0.38)	1 to 16 (25 to 406)	0.83 (21)	8.3 (211)	2 (51)	8.5 (216)
	0.020 (0.51)	0.0300 (0.76)	2 to 32 (51 to 813)	1.3 (33)	16.4 (417)	3 (76)	21.5 (546)

45°	Narrow-bar-width		Read Range (using autofocus)	Field of View		Depth of Field	
	1D	2D		Inside Edge	Outside Edge	Inside Edge	Outside Edge
	0.005 (0.13)	0.0075 (0.19)	1 to 5 (25 to 127)	1.3 (33)	4.1 (104)	1.5 (38)	2 (51)
	0.010 (0.25)	0.0150 (0.38)	1 to 9.5 (25 to 241)	1.3 (33)	7.5 (191)	2 (51)	6 (152)
	0.020 (0.51)	0.0300 (0.76)	1 to 23.5 (25 to 597)	1.3 (33)	18.3 (465)	3.8 (97)	19 (483)

NOTE: Read ranges are for specific element sizes as listed in the tables.

**\*\*Important Pricing Discount Note\*\*** Product discounts are applied based on the Product TYPE code shown in the TYPE column below.

Product Type codes are defined as: P = PRODUCT Discount, A = ACCESSORY Discount, VP = VISION PRODUCT Discount.

A Product Type code modified with L signifies Legacy Status (refer to Legacy section of this catalog).

Refer to your Partner Agreement for the actual discount percentage by Product Type.

**QX Hawk CMOS Readers**

Part Number	Description	List Price	Type
FIS-6801-0410G	QX Hawk Imager, WVGA CMOS, 12° Lens, RS-232/RS-422/RS-485	\$2,790	P
FIS-6801-1410G	QX Hawk Imager, WVGA CMOS, 12° Lens, RS-232/Ethernet	\$2,790	P
FIS-6801-0510G	QX Hawk Imager, WVGA CMOS, 15° Lens, RS-232/RS-422/RS-485	\$2,790	P
FIS-6801-1510G	QX Hawk Imager, WVGA CMOS, 15° Lens, RS-232/Ethernet	\$2,790	P
FIS-6801-0210G	QX Hawk Imager, WVGA CMOS, 30° Lens, RS-232/RS-422/RS-485	\$2,790	P
FIS-6801-1210G	QX Hawk Imager, WVGA CMOS, 30° Lens, RS-232/Ethernet	\$2,790	P
FIS-6801-0310G	QX Hawk Imager, WVGA CMOS, 45° Lens, RS-232/RS-422/RS-485	\$2,790	P
FIS-6801-1310G	QX Hawk Imager, WVGA CMOS, 45° Lens, RS-232/Ethernet	\$2,790	P
FIS-6801-0010G	QX Hawk Imager, WVGA CMOS, C-Mount Lens, RS-232/RS-422/RS-485	\$2,690	P
FIS-6801-1010G	QX Hawk Imager, WVGA CMOS, C-Mount Lens, RS-232/Ethernet	\$2,690	P

**2014-2015 YTD  
Best Sellers**

- 1) FIS-6801-1500G
- 2) FIS-6801-1210G
- 3) FIS-6801-1200G



# MICROSCAN.

## QX Hawk CCD Readers

Part Number	Description	List Price	Type
FIS-6801-0400G	QX Hawk Imager, SXGA CCD, 12° Lens, RS-232/RS-422/RS-485	\$3,090	P
FIS-6801-1400G	QX Hawk Imager, SXGA CCD, 12° Lens, RS-232/Ethernet	\$3,090	P
FIS-6801-0500G	QX Hawk Imager, SXGA CCD, 15° Lens, RS-232/RS-422/RS-485	\$3,090	P
FIS-6801-1500G	QX Hawk Imager, SXGA CCD, 15° Lens, RS-232/Ethernet	\$3,090	P
FIS-6801-0200G	QX Hawk Imager, SXGA CCD, 30° Lens, RS-232/RS-422/RS-485	\$3,090	P
FIS-6801-1200G	QX Hawk Imager, SXGA CCD, 30° Lens, RS-232/Ethernet	\$3,090	P
FIS-6801-0300G	QX Hawk Imager, SXGA CCD, 45° Lens, RS-232/RS-422/RS-485	\$3,090	P
FIS-6801-1300G	QX Hawk, SXGA CCD, 45° Lens, RS-232/Ethernet	\$3,090	P
FIS-6801-0000G	QX Hawk Imager, SXGA CCD, C-Mount Lens, RS-232/RS-422/RS-485	\$2,990	P
FIS-6801-1000G	QX Hawk Imager, SXGA CCD, C-Mount Lens, RS-232/Ethernet	\$2,990	P

Note CMOS (WVGA) - 752 x 480 pixels, CCD (SXGA) 1280 x 960 pixels

## QX Hawk Accessories

### Accessories

Part Number	Description	List Price	Type
98-000143-01	Kit, Adapter Plate, QX Hawk/Vision HAWK	\$55	A
98-000144-01	Right Angle Mirror Kit, QX Hawk/Vision HAWK	\$85	A
98-000146-01	Kit, Window Replacement, QX Hawk/Vision HAWK	\$35	A
98-000147-04	12° Lens, QX Hawk	\$135	A
98-000147-01	15° Lens, QX Hawk	\$135	A
98-000147-02	30° Lens, QX Hawk	\$135	A
98-000147-03	45° Lens, QX Hawk	\$135	A
98-000205-01	Kit, Glass Window with IR Coating, QX Hawk/Vision HAWK	\$135	A
98-000206-01	Kit, Glass Window, QX Hawk/Vision HAWK	\$70	A
98-000206-02	Kit, Lexan Window with Metal Bezel, QX Hawk/Vision HAWK	\$70	A
98-000149-01*	Demo Kit, QX Hawk	\$595	A
98-000262-01	Kit, White LED Illumination, QX Hawk/Vision HAWK	\$350	A
98-000262-02	Kit, Blue LED Illumination, QX Hawk/Vision HAWK	\$350	A

\* This Demo Kit does not contain a reader and is discounted 25%. The separately purchased reader is discounted 60%.

## QX-1 and Cordsets

Part Number	Description	List Price	Type
98-000103-02	QX-1 Interface Device	\$195	A
61-000148-01	QX Cordset, Common, M12 12-Pin Socket (Ult.Lock)-to-M12 12-Pin Plug (Ult.Lock), 3m.	\$80	A
61-000148-02	QX Cordset, Common, M12 12-Pin Socket (Screw-On)-to-M12 12-Pin Plug (Screw-On), 3m.	\$88	A
61-000162-02	QX Cordset, Common, M12 12-Pin Socket (Screw-On)-to-M12 12-Pin Plug (Screw-On), 1m.	\$81	A
61-000153-02	QX Cordset, Host, Serial, M12 12-Pin Socket (Screw-On)-to-DB-9 Socket, 1 m.	\$81	A
61-000164-02	QX Cordset, Host, Serial, M12 12-Pin Socket (Screw-On)-to-DB-9 Socket, 3 m.	\$88	A
61-000152-02	QX Cordset, Host, Serial, M12 12-Pin Plug (Screw-On)-to-DB-9 Socket, 1 m.	\$81	A
61-000165-02	QX Cordset, Host, Serial M12 12-Pin Plug (Screw-On)-to-DB-9 Socket, 3 m.	\$94	A
61-000163-03	QX Cordset, Host, Ethernet, M12 8-Pin Plug (Screw-On)-to-RJ45, 3 m.	\$85	A
61-000160-01	QX Cordset, Host, Ethernet, M12 8-Pin Plug (Ult.Lock)-to-RJ45, 1 m.	\$100	A
61-000160-03	QX Cordset, Host, Ethernet, M12 8-Pin Plug (Screw-On)-to-RJ45, 1 m.	\$80	A
61-000172-02	QX Cordset, M12 12-Pin Plug-to-M12 12-Pin Socket-to-DB-25 Plug, Turck Connectors	\$285	A
61-000158-03	QX Cordset, M12 12-Pin Plug & M12 12-Pin Socket-to-MS-Connect 210 (RS-232), 2 m.	\$372	A
61-000158-04	QX Cordset, M12 12-Pin Plug & M12 12-Pin Socket-to-MS-Connect 210 (RS-422), 2 m.	\$248	A
61-000166-02	QX Cordset, M12 12-Pin Plug (Screw-On)-to-Flying Leads, 3 m.	\$88	A
61-000167-02	QX Cordset, M12 12-Pin Socket (Screw-On)-to-Flying Leads, 3 m.	\$88	A
FIS-0210-0001G	MS-Connect 210, Connectivity Box with Display	\$849	A
FIS-0210-0002G	MS-Connect 210, Connectivity Box	\$549	A
FIS-0210-0003G	MS-Connect 210, Connectivity Box with Display & Ethernet	\$949	A
FIS-0210-0004G	MS-Connect 210, Connectivity Box with Ethernet	\$849	A
98-000013-04	Relay Mod., 120VAC, 3A Output, Series 70, Type SM, for MS-Connect 210 & MS-890	\$52	A
98-000013-05	Relay Mod., 240VAC, 3A Output, Series 70, Type SM, for MS-Connect 210 & MS-890	\$52	A
98-000013-06	Relay Module, 24VDC, 3 Amp Output, Series 70, Type SM, for MS-Connect 210, MS-890	\$52	A
61-000207-01	QX Cordset, Smart Series Light-to-QX-1, Continuous ON/OFF	\$230	A
61-000204-01	QX Cordset, Smart Series Light-to-QX-1, Continuous Power	\$204	A

## Power Supplies

Part Number	Description	List Price	Type
97-000012-01	Power Supply, 100-240VAC, +24VDC, M12 12-Pin Socket	\$133	A
97-000012-04	QX Power Supply, 24V, M12 12 pin Plug, USA /Euro Plug	\$133	A

## Package Detector/Sensor

Part Number	Description	List Price	Type
99-000020-02	QX Photo Sensor, M12 4-Pin Plug, NPN, Dark On, 2 m.	\$193	A
99-000020-01	QX Photo Sensor, M12 4-Pin Plug, NPN, Dark Off, 2 m.	\$193	A

## Mounting and Connectors

Part Number	Description	List Price	Type
20-610024-01	Trigger Connector, 4-Pin Plug (Screw Terminal, Field-Wireable) (Self-Wiring)	\$33	A
98-000037-01	Mounting Arm Extension Kit, 6 in., All Readers	\$61	A
98-000054-01	Kit, Mounting Stand Base Plate	\$33	A
98-000016-01	Kit, 6 in. Mounting Arm/Adapter, MS-820, QX-830, QX-870	\$99	A
99-000056-01	Bracket, Smart Series DOAL-50 mm-to-Vision HAWK & QX Hawk	\$253	A
99-000058-01	Bracket, Smart Series DOAL-75 mm-to-Vision HAWK & QX Hawk	\$253	A
99-000060-01	Bracket, Smart Series DOAL-100 mm-to-Vision HAWK & QX Hawk	\$253	A
99-000061-01	Bracket, Smart Series DOAL-50/70/100 mm-to-C-Mount Vision HAWK and QX Hawk	\$253	A
99-000050-01	Bracket, Smart Series Ring-100 mm-to-Vision HAWK & QX Hawk	\$138	A
99-000052-01	Bracket, Smart Series Ring-60/70 mm-to-Vision HAWK & QX Hawk	\$138	A
99-000049-01	Bracket, Smart Series Ring-100 mm-to-C-Mount Vision HAWK & QX Hawk	\$138	A
99-000051-01	Bracket, Smart Series Ring-R-60/70-to-C-Mount Vision HAWK & QX Hawk	\$138	A
98-000148-01	Kit, L-Bracket, QX Series	\$45	A

\* Though-hole mounting plate; not for use with mounting arm.

## Optical Accessories, C-Mount

Part Number	Description	List Price	Type
98-92800471	Lens Extension Tube, 5 mm (C-CS Mount Adapter)	\$40	A
98-CO206	Lens Extension Tube Set, 0.5 mm, 1 mm, 5 mm, 10 mm, 20 mm, 40 mm	\$145	A
98-92800571	Lens 8mm F/1.4-16, Front thread 25.5mm P 0.5mm, 2/3" C-mount	\$385	A
98-000257-01*	Lens 12.5 mm F/1.4-close, Front Thread 40.5 mm P 0.5 mm, 1 in. C-Mount	\$415	A
98-000258-01	Lens 16 mm F/1.4-16, Front Thread 27 mm P 0.5 mm, 2/3 in. C-Mount	\$415	A
98-000259-01	Lens 25 mm F/1.4-16, Front Thread 27 mm P 0.5 mm, 2/3 in. C-Mount	\$415	A
98-92800575	Lens, 35 mm F/2.1-22, Front Thread 25.5 mm P 0.5 mm, 2/3 in. C-Mount	\$385	A
98-92800576	Lens, 50 mm F/2.8-22, Front Thread 25.5 mm P 0.5 mm, 2/3 in. C-Mount	\$385	A
98-92800577	Lens, 75 mm F/3.9-32, Front Thread 25.5 mm P 0.5 mm, 2/3 in. C-Mount	\$385	A
98-92800311	Lens, Skylight UV Filter, 25.5 mm	\$75	A
98-92800371	Lens, Polarizing Filter, 25.5 mm, P0.5	\$100	A
98-92800372	Lens, Polarizing Filter, 27 mm, P0.5	\$100	A
98-000218-01	Lens Protection Housing, Standard Length (to 48 mm)	\$338	A
98-000226-01	Lens Protection Housing, Long (to 72 mm)	\$354	A

\* This lens cannot be used in combination with the lens protection housings.

## Software/Manuals

Part Number	Description	List Price	Type
37-000010-01*	Tools Drive, User Documentation, Software	\$30	A

\* 1 free per order.

**Note:**  
**QX Hawk Tech References are equal to QX-830**  
**Visit the QX-830 section for configuration references**

# MICROSCAN

## Verification Kits



2014-2015 YTD Best Sellers
1) SLN-0000005
2) SLN-0000006

**\*\*Important Pricing Discount Note\*\*** Product discounts are applied based on the Product TYPE code shown in the TYPE column below.

Product Type codes are defined as: P = PRODUCT Discount, A = ACCESSORY Discount, VP = VISION PRODUCT Discount.

A Product Type code modified with L signifies Legacy Status (refer to Legacy section of this catalog).

Refer to your Partner Agreement for the actual discount percentage by Product Type.

### Verification Kits

Part Number	Description	List Price	Type
SLN-0000004	Dot Peen Verif. Kit (Cables Not Included)	\$5,560	P
SLN-0000005	1D/2D Label Verif. Kit (Cables Not Included)	\$6,960	P
SLN-0000006	Large Linear Verif. Kit (Cables Not Included)	\$7,820	P
SLN-0000018	Large Linear Verif. Kit with VMI & Accessories	\$12,000	P

NOTE: Software is included on the TOOLS DRIVE. Order as a separate item.

### Accessories

Part Number	Description	List Price	Type
97-000012-01	Power Supply, 100-240VAC, +24VDC, M12 12-Pin Socket	\$133	A
98-000103-02	QX-1 Interface Device	\$195	A
61-000148-01	QX Cordset, Common, M12 12-Pin Socket(Ult.Lock)-to-M12 12-Pin Plug(Ult.Lock),3m.	\$80	A
61-000148-02	QX Cordset, Common, M12 12-Pin Socket(Screw-On)-to-M12 12-Pin Plug(Screw-On),3m.	\$88	A
61-000204-01	QX Cordset, Smart Series Light-to-QX-1, Continuous Power	\$204	A
61-000218-01	QX Cordset, Smart Series Light-to-QX-1, Strobe, NPN	\$130	A
99-000020-02	QX Photo Sensor, M12 4-Pin Plug, NPN, Dark On, 2 m.	\$193	A

### Software/Manuals

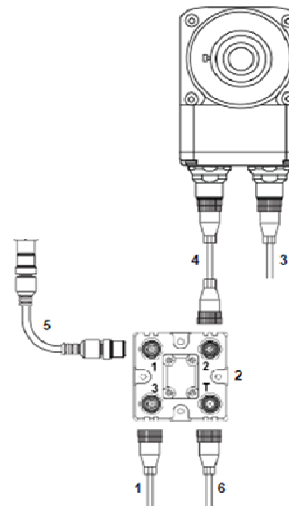
Part Number	Description	List Price	Type
37-000010-01	Tools Drive, User Documentation, Software	\$30	A
98-000217-05	AV to Verif. & VMI License Upgrade	\$2,750	A

### Tech Reference Verification Kits

The required accessories are an Ethernet cable for the camera, a power supply, and power cables for the camera and lighting.

The minimum set of accessories required to complete a bench-top installation follows.

Hardware Required		
Item	Description	Part Number
1	Power Supply, 100-240VAC, +24 VDC, M12 12-pin Socket (Screw-On)	97-000012-01
2	QX-1 Connection Block	98-000103-02
3	QX Cordset, Host, Ethernet, M12 8-pin Plug (Screw-On) to RJ45, 3m	61-000163-02
4	QX Cordset, Common, M12 12-pin, Socket (Screw-On) to M12 12-pin Plug (Screw-On), 3m	61-000148-02
5	Cable, Power, Smart Series to QX-1	61-000204-01
5	Cable, Smart Series to QX-1, Strobe, NPN	61-000218-01
6	Trigger, M12 4-pin Plug, NPN, Dark On, 2 m	99-000020-02



# MICROSCAN.

## UID DPM and LDP Verifiers



Type	UID Compliance Verifier, DPM
Image field	30.2 mm x 21.8 mm (1.19" x 0.86")
Test functions	ISO 16022, ISO 15415, AS9132 Laser, AS9132 Dot Pen, AS9132 Electro-Chemical Etch, MIL-STD-130M Enhanced ISO 15415, AIM DPM-1-2006 Quality Guideline
Greatest possible thickness of the label/nameplate	0.125" (3.175 mm)
Minimum size of elements	0.0075" (0.19 mm)
Performance requirements	AC adapter 100 to 240 VAC, 1.6 A 50/60 Hz input, 24 V with 1.5 A output
Interfaces	Ethernet for standard operation, RS232 baudrates from 600 baud to 115.2 Kbaud for maintenance purposes
Operating temperature	0 ... 40 °C (32 ... 104 °F)
Lighting	AIM DPM-1-2006 Quality Guideline Embedded Class I LED, Red LED: 640 nm Light settings: Diffuse Perpendicular 90 Degrees (90) Dome (D) Medium Angle 45 Degrees (45Q) Low Angle 30 Degrees (30Q, 30T and 30S)
Humidity	Up to 95 %, non-condensing
Electrical/mechanical safety	EN 61010-1: 2002
Laser safety	EN 60825-1 1993 Amendment 2 2001-01

Type	UID Compliance Verifier, LDP
Image field	25.4 mm x 19.05 mm (1.0" x 0.75")
Verifiable markings	ISO 16022, ISO 15415, AS9132 Laser, AS9132 Dot Pen, AS9132 Electro-Chemical Etch, MIL-STD-130M Enhanced ISO 15415, AIM DPM-1-2006 Quality Guideline
Greatest possible thickness of the label/nameplate	0.125" (3.175 mm)
Depth of focus	0.125" (3.175 mm)
Smallest element size	0.0075" (0.19 mm)
Current requirement	AC adapter for 100 ... 250 VAC, 0.05 A 50/60 Hz input; 24 V with 500 mA output
Networking options	Ethernet for standard operation, RS232 baudrates from 600 bit/s to 115.3 Kbits/s for maintenance purposes
Operating temperature	0 ... 40 °C (32 ... 104 °F)
Lighting	Embedded Class I LED Red LED: 640 nm Diffuse perpendicular (90°) light
Laser target beam	Class II laser to IEC 60825-1
Humidity	< 95 %, non-condensing
Electrical/mechanical safety	EN 61010-1: 2002
Laser safety	EN 60825-1 1993 Amendment 2 2001-01
Image field	25.4 mm x 19.05 mm (1.0" x 0.75")

**\*\*Important Pricing Discount Note\*\* Product discounts are applied based on the Product TYPE code shown in the TYPE column below.**

Product Type codes are defined as: P = PRODUCT Discount, A = ACCESSORY Discount, VP = VISION PRODUCT Discount.

A Product Type code modified with L signifies Legacy Status (refer to Legacy section of this catalog).

Refer to your Partner Agreement for the actual discount percentage by Product Type.

### UID Verifiers

Part Number	Description	List Price	Type
FIS-UD10-ODP1	UID Compliance Verifier, DPM, AIM DPM, ISO 15415	\$9,995	P
FIS-UD20-OCK1	UID Compliance Verifier, Name Plates, AIM DPM, ISO 15415	\$8,995	P

NOTE: Software is included on the Tools Drive. Order as a separate item.

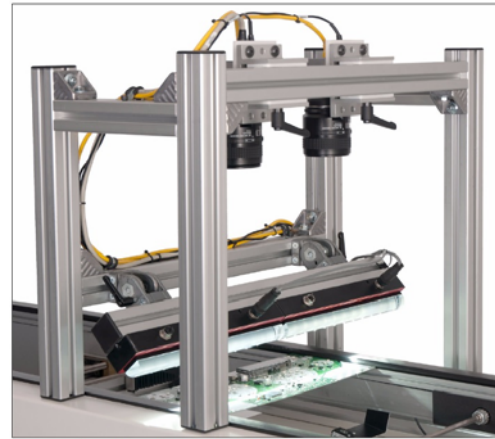
### Accessories

Part Number	Description	List Price	Type
98-UA10-0CC0	UID Verifier Calibration Test Card	\$159	A
98-UA10-0ST0	UID-DPM Stand	\$995	A
37-000010-01*	Tools Drive, User Documentation, Software	\$30	A

\* 1 free per order.

# MICROSCAN.

## PanelScan™ PCB Traceability System



PanelScan Wide Configuration (Two Cameras)

**\*\*Important Pricing Discount Note\*\*** Product discounts are applied based on the Product TYPE code shown in the TYPE column below.

Product Type codes are defined as: P = PRODUCT Discount, A = ACCESSORY Discount, VP = VISION PRODUCT Discount.

A Product Type code modified with L signifies Legacy Status (refer to Legacy section of this catalog).

Refer to your Partner Agreement for the actual discount percentage by Product Type.

### PanelScan

Part Number	Description	List Price	Type
SLN-0001010	PanelScan, Standard (10 in.x24 in., 254 mmx609 mm Field of View), White Light	\$ 19,950	A
SLN-0001011	PanelScan, Wide (20 in.x24 in., 508 mmx609 mm Field of View), White Light	\$ 25,950	A
SLN-0001110	PanelScan, Standard (10 in.x24 in., 254 mmx609 mm Field of View), Red Light	\$ 19,950	A
SLN-0001111	PanelScan, Wide (20 in.x24 in., 508 mmx609 mm Field of View), Red Light	\$ 25,950	A

#### NOTES:

- 1) Standard Kit- includes single camera, lens, single line light, PanelScan software interface, Visionscape software, setup guide, power and Ethernet accessories.
- 2) Wide Kit- includes 2 cameras, 2 lenses, 2 line lights, PanelScan software interface, Visionscape software, setup guide, power and ethernet accessories.
- 3) PC, conveyor, mounting structure, and encoder not included

# MICROSCAN.

## Auto ID Handhelds

### HS-21 and HS-41X 2D Handheld Readers

#### Read Ranges

1D	
5 mil (.127 mm)	3.7" to 5.0" (94 to 127 mm)
7.5 mil (.191 mm)	2.2" to 6.5" (56 to 165 mm)
10 mil (.254 mm)	1.5" to 8.0" (38 to 203 mm)
20 mil (.508 mm)	2.3 to 15.5" (58 to 394 mm)
2D	
5 mil (.127 mm)	3.7" to 4.6" (94 to 117 mm)
7.5 mil (.191 mm)	1.5" to 6.0" (38 to 152 mm)
15 mil (.381 mm)	1.6" to 7.7" (41 to 196 mm)
20 mil (.508 mm)	1.6" o 9.4" (41 to 239 mm)



2014-2015 YTD Best Seller FIS-HS41X-0001G
---

**\*\*Important Pricing Discount Note\*\* Product discounts are applied based on the Product TYPE code shown in the TYPE column below.**

Product Type codes are defined as: P = PRODUCT Discount, A = ACCESSORY Discount, VP = VISION PRODUCT Discount.

A Product Type code modified with L signifies Legacy Status (refer to Legacy section of this catalog).

Refer to your Partner Agreement for the actual discount percentage by Product Type.

#### HS-21 Reader

Part Number	Description	List Price	Type
FIS-HS21-0001G	HS-21 Handheld Reader, USB, 6 ft. Straight Cable	\$415	P
FIS-HS21-0005G*	HS-21 Handheld Reader, RS-232, 8 ft. Coiled Cable, No Power Supply	\$415	P

NOTE: HS-21 is offered in Light Gray

#### HS-41X DPM Reader

Part Number	Description	List Price	Type
FIS-HS41X-0001G	HS-41X Handheld DPM Reader, USB, 6 ft. Straight Cable	\$895	P
FIS-HS41X-0005G*	HS-41X Handheld DPM Reader, RS-232, 8 ft. Coiled Cable, No Power Supply	\$895	P
FIS-HS41X-0006G	HS-41X Handheld HD X-MODE DPM Reader, USB, 6 ft. Straight Cable	\$1,595	P

NOTE: HS-41X is offered in Dark Gray

\*Power Supply Sold Separately (see 20-00033X-02 options below)

#### Accessories

Part Number	Description	List Price	Type
98-000264-01*	Demo Kit, HS-21 & HS-41X, USB, 2 6 ft. Strt. USB Cables, 1 8 ft. Serial Cable	\$1,200	P
98-000270-03	Kit, Presentation Stand, HS-21/HS-41X	\$50	A
98-9000026-01	Kit, Presentation Mount without Stand, HS-21/HS-41X	\$35	A
61-000224-01	Cable, USB, HS-21/HS-41X, 6 ft., Straight	\$40	A
61-000224-02	Cable, USB, HS-21/HS-41X, 8 ft., Coiled	\$45	A
61-000224-03	Cable, RS-232, HS-21/HS-41X, 8 ft., Coiled	\$40	A
20-000335-02	Power Supply, Handheld Reader, Wall Mount, 90-264 VAC, +5VDC, 1.5A, U.S. Plug	\$33	A
20-000336-02	Power Supply, Handheld Reader, Wall Mount, 90-264 VAC, +5VDC, 1.5A, Euro Plug	\$72	A
20-000337-02	Power Supply, Handheld Reader, Wall Mount, 90-264 VAC, +5VDC, 1.5A, UK Plug	\$88	A

\*NOTE: This demo kit contains 2 readers and is discounted at 25%

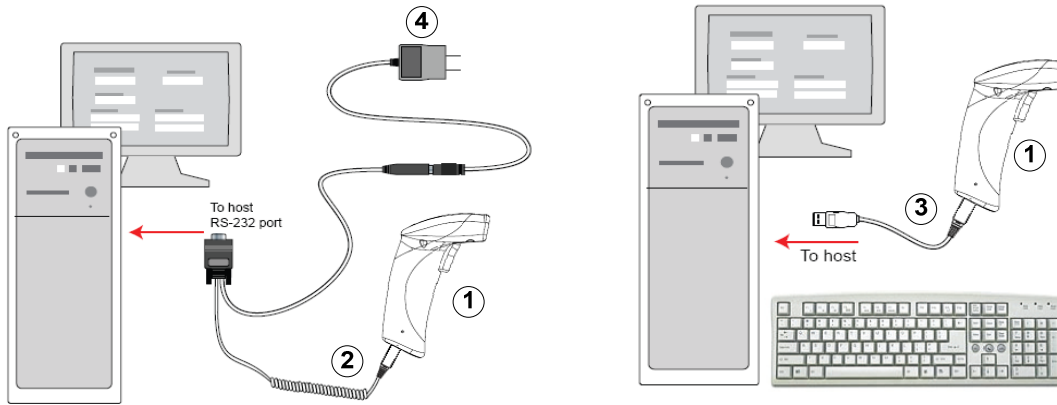
#### Software/Manuals

Part Number	Description	List Price	Type
37-000010-01*	Tools Drive, User Documentation, Software	\$30	A

\* 1 free per order.

## Tech Reference *HS-21 / HS-41X*

### USB and Serial Configuration



Item	Part Number	Description	List Price
1	FIS-HSX1-0001G	HS-21 / HS-41X Handheld 2D Reader, USB, 6ft Straight Cable	Varies
	OR		
1	FIS-HSX1-0005G	HS-21 / HS-41X Handheld 2D Reader, RS-232, 8ft Coiled Cable	Varies
2	61-000224-03	Cable, RS-232, HS-21/HS-41X, 8 ft., Coiled	(included)
3	61-000224-01	Cable, USB, HS-21/HS-41X, 6 ft., Straight	(included)
4	20-00033X-02 **	POWER SUPPLY, WALL MOUNT, 90-264 VAC, +5VDC, 1.5A	Varies
	98-000270-03	Kit, Presentation Stand, HS-21/HS-41X	\$50
	37-000010-01*	Tools Drive, User Documentation, Software	\$30

\* One free per order. \*\*Select Supply by Plug type for RS232

# MICROSCAN

## Auto ID Handhelds

### HS-51 and HS-51X 2D Wireless Handheld Readers

#### Read Ranges

1D	
5 mil (.127 mm)	3.7" to 5.0" (94 to 127 mm)
7.5 mil (.191 mm)	2.2" to 6.5" (56 to 165 mm)
10 mil (.254 mm)	1.5" to 8.0" (38 to 203 mm)
20 mil (.508 mm)	2.3 to 15.5" (58 to 394 mm)
2D	
5 mil (.127 mm)	3.7" to 4.6" (94 to 117 mm)
7.5 mil (.191 mm)	1.5" to 6.0" (38 to 152 mm)
15 mil (.381 mm)	1.6" to 7.7" (41 to 196 mm)
20 mil (.508 mm)	1.6" o 9.4" (41 to 239 mm)



2014-2015 YTD  
Best Seller  
FIS-HS51X-0002G

**\*\*Important Pricing Discount Note\*\* Product discounts are applied based on the Product TYPE code shown in the TYPE column below.**

Product Type codes are defined as: P = PRODUCT Discount, A = ACCESSORY Discount, VP = VISION PRODUCT Discount.

A Product Type code modified with L signifies Legacy Status (refer to Legacy section of this catalog).

Refer to your Partner Agreement for the actual discount percentage by Product Type.

#### HS-51 & HS-51X Reader

Part Number	Description	List Price	Type
FIS-HS51-0001G**	HS-51 Wireless Handheld Reader with Battery, Bluetooth Charging Base, USB Cable	\$1,295	P
FIS-HS51X-0002G**	HS-51X Wireless Handheld Reader with Battery, Bluetooth Charging Base, USB Cable	\$1,795	P

\*\*Wall mount power supply is not included with reader. Please select the appropriate regional power supply from Accessories below.

#### Accessories

Part Number	Description	List Price	Type
98-9000009-01	HS-51 Battery Charger, 4-Bay	\$255	A
98-9000007-01	HS-51 Charging Base Station, USB Only (No Bluetooth)	\$135	A
98-9000008-01	HS-51 Battery, Li-Ion, 1300 mAH	\$125	A
20-000335-02	Power Supply, Handheld Reader, Wall Mount, 90-264 VAC, +5VDC, 1.5A, U.S. Plug	\$33	A
20-000337-02	Power Supply, Handheld Reader, Wall Mount, 90-264 VAC, +5VDC, 1.5A, UK Plug	\$88	A
20-000336-02	Power Supply, Handheld Reader, Wall Mount, 90-264 VAC, +5VDC, 1.5A, Euro Plug	\$72	A

#### Software/Manuals

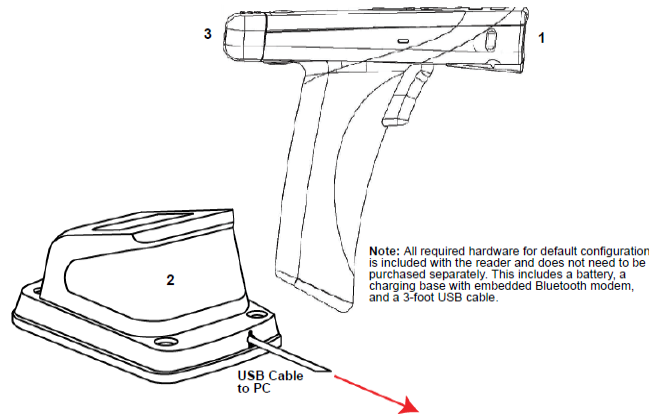
Part Number	Description	List Price	Type
37-000010-01*	Tools Drive, User Documentation, Software	\$30	A

\* 1 free per order.

## Tech Reference HS-51 / HS-51X

## USB Configuration

Charging Station with Embedded Modem and Wireless Handheld Reader



Item	Part Number	Description	List Price
1	FIS-HSX1-XXXXG	HS-51 / HS-51X Handheld 2D Reader	Varies
2	98-9000007-01	HS-51 Charging Base Station, USB Only (No Bluetooth)	\$135
3	98-9000008-01	HS-51 Battery, Li-Ion, 1300 mAH	\$125
	20-000335-02	Power Supply, Handheld Reader, Wall Mount, 90-264 VAC, +5VDC, 1.5A,	\$33
	20-000337-02	Power Supply, Handheld Reader, Wall Mount, 90-264 VAC, +5VDC, 1.5A,	\$88
	20-000336-02	Power Supply, Handheld Reader, Wall Mount, 90-264 VAC, +5VDC, 1.5A,	\$72
	37-000010-01*	Tools Drive, User Documentation, Software	\$30

\* One free per order.



# MICROSCAN.

## Auto ID DPM Handhelds

### Mobile Hawk High Performance DPM Handheld Reader

#### Read Ranges

##### High Resolution

5 mil (.127 mm)	.25" to .75" (44 to 64 mm)
10 mil (.254 mm)	.50" to 1.50" (44 to 103 mm)
20 mil (.508 mm)	.50" to 3.50" (44 to 165 mm)



2014-2015 YTD Best Seller
FIS-6170-0002G

**\*\*Important Pricing Discount Note\*\*** Product discounts are applied based on the Product TYPE code shown in the TYPE column below.

Product Type codes are defined as: P = PRODUCT Discount, A = ACCESSORY Discount, VP = VISION PRODUCT Discount.

A Product Type code modified with L signifies Legacy Status (refer to Legacy section of this catalog).

Refer to your Partner Agreement for the actual discount percentage by Product Type.

#### Reader

Part Number	Description	List Price	Type
FIS-6170-0002G	Mobile Hawk Handheld DPM Imager, USB	\$2,090	P

#### RS-232 Kits (Serial Interface)

Part Number	Description	List Price	Type
98-000074-04	Interface Kit, Handheld Reader, RS-232, 8 ft. Coiled Cable, U.S. Power Supply	\$77	A
98-000074-05	Interface Kit, Handheld Reader, RS-232, 8 ft. Coiled Cable, Euro Power Supply	\$110	A
98-000074-06	Interface Kit, Handheld Reader, RS-232, 8 ft. Coiled Cable, UK Power Supply	\$121	A
60-000008-02	Cable, 8 ft. Coiled, RS-232 Interface	\$50	A
61-9000032-01	USB 2.0 PASSIVE HUB FOR MOBILE HAWK	\$29	A
60-000009-02	Cable, 6 ft. Straight, USB Interface	\$50	A
60-000031-01	Cable, 12 ft. Straight, USB Interface	\$77	A

NOTE: Demo kits are not available for the Mobile Hawk. A reader, specifically purchased as a demo unit will be discounted 50%.

NOTE: PS2 cable is not supported by the Mobile Hawk product.

#### Software/Manuals

Part Number	Description	List Price	Type
37-000010-01*	Tools Drive, User Documentation, Software	\$30	A

\* 1 free per order.

# MICROSCAN

## Auto ID Software, Connectivity, and Accessories

### MS-Connect Series



2014-2015 YTD Best Sellers
1) FIS-0210-0001G
2) FIS-0210-0003G

**\*\*Important Pricing Discount Note\*\*** Product discounts are applied based on the Product TYPE code shown in the TYPE column below.

Product Type codes are defined as: P = PRODUCT Discount, A = ACCESSORY Discount, VP = VISION PRODUCT Discount.

A Product Type code modified with L signifies Legacy Status (refer to Legacy section of this catalog).

Refer to your Partner Agreement for the actual discount percentage by Product Type.

#### MS-Connect 210 Options

Part Number	Description	List Price	Type
FIS-0210-0001G	MS-Connect 210, Connectivity Box with Display	\$879	A
FIS-0210-0002G	MS-Connect 210, Connectivity Box	\$599	A
FIS-0210-0003G	MS-Connect 210, Connectivity Box with Display & Ethernet	\$999	A
FIS-0210-0004G	MS-Connect 210, Connectivity Box with Ethernet	\$879	A

#### Accessories

Part Number	Description	List Price	Type
61-000105-01	Cable, Pre-Stripped-to-9-Pin Host Cable, 6 ft.	\$30	A
61-000122-01	Cable to MS-Connect 210, Host RS-422/RS-485 for Multidrop, 6 ft.	\$110	A
61-000123-01	Cable to MS-Connect 210, Host/Aux RS-232 for Daisy Chain, 210-to-210, 6 ft.	\$110	A
61-000127-02	Cable, MS-2-to-MS-Connect 210, 6 ft.	\$110	A
FIS-0001-0035G	Converter, IC-332, 24V/5V, Opto I/O, for Use with IB-131	\$182	A
98-000013-04	Relay Mod., 120VAC, 3A Output, Series 70, Type SM, for MS-Connect 210 & MS-890	\$55	A
98-000013-05	Relay Mod., 240VAC, 3A Output, Series 70, Type SM, for MS-Connect 210 & MS-890	\$55	A
98-000013-06	Relay Module, 24VDC, 3 Amp Output, Series 70, Type SM, for MS-Connect 210,MS-890	\$55	A
61-000066-01	Cable, MS-Connect 210-to-MS-Q (Pre-Strip before Wiring)	\$88	A
61-000158-03	QX Cordset, M12 12-Pin Plug & M12 12-Pin Socket-to-MS-Connect 210 (RS-232), 2 m.	\$372	A
61-000108-01	Cable, RJ12-to-9-Pin D-sub, 6 ft.	\$50	A
61-000112-01	Cable, USB Type A Plug-to-Mini-B Plug, 10 ft.	\$33	A
99-000018-01	IB-131 Interface Box	\$182	A
98-000040-02	Cable, Interface & Reader, 6 ft., IB-150	\$193	A
61-000158-04	QX Cordset, M12 12-Pin Plug & M12 12-Pin Socket-to-MS-Connect 210 (RS-422), 2 m.	\$248	A
98-000095-02**	Demo Kit, MS-Connect 210	\$895	A

\*\* This demo kit does not contain the MS-Connect 210 and is discounted 25%. A MS-Connect 210 ordered separately is discounted 60%

#### Power Supply

Part Number	Description	List Price	Type
97-000012-02	Power Supply, 100-240VAC, +24VDC, TRK 3-Pin, U.S./Euro Plug)	\$152	A

#### Mounting

Part Number	Description	List Price	Type
98-000093-01	Kit, DIN Rail Mounting, MS-Connect 210	\$50	A

#### Package Detector/Sensor

Part Number	Description	List Price	Type
99-000017-01	Photo Sensor, Visible, NPN, Dark ON	\$193	A
99-000017-02	Photo Sensor, Visible, NPN, Light ON	\$193	A

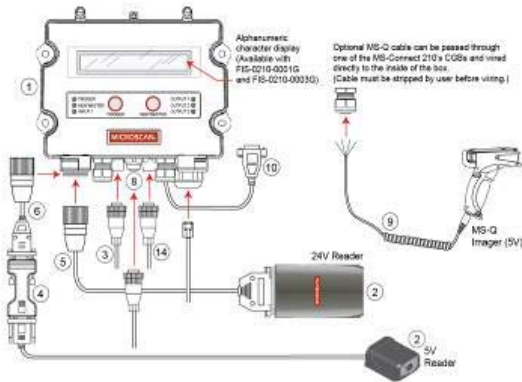
#### Software/Manuals

Part Number	Description	List Price	Type
37-000010-01*	Tools Drive, User Documentation, Software	\$30	A

\* 1 free per order.

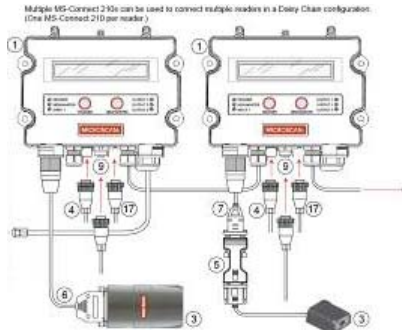
### Stand Alone

These are the setup options for one MS-Connect 210 and one 10-28V or 5V reader.



Product	Reference No.	Description	List Price
(1) MS-Connect 210	FIS-0210-0001G	MS-Connect 210, Connectivity Box with Display	\$879
	FIS-0210-0002G	MS-Connect 210, Connectivity Box	\$599
	FIS-0210-0003G	MS-Connect 210, Connectivity Box with Display & Ethernet	\$999
	FIS-0210-0004G	MS-Connect 210, Connectivity Box with Ethernet	\$879
(2) Microscan Reader	FIS-XXXX-XXXXG	Varies	Varies
(3) Power Supply	97-000012-02	Power Supply, 100-240VAC, +24VDC, TRK 3-Pin, U.S./Euro Plug)	\$152
(4) IC-332 (5V Readers)	FIS-0001-0035G	Converter, IC-332, 24V/5V, Opto I/O, for Use with IB-131	\$182
(5) Reader Cable (10-28V Readers)	61-000122-01	Cable to MS-Connect 210, Host RS-422/RS-485 for Multidrop, 6 ft.	\$110
(6) Reader Cable (5V Readers and MS-9)	61-000127-02	Cable, MS-2-to-MS-Connect 210, 6 ft.	\$110
(7) Reader Cable (5V Readers and MS-9)	61-000139-01	Cable to MS-Connect 210, Host RS-422/RS-485 for Multidrop, 6 ft.	\$110
(8) Reader Cable (MS-820 only; not shown)	61-000121-02	Cable, MS-820-to-MS-Connect 210, 3 ft.	\$33
(9) Internal Ethernet Cable (If applicable)	61-000128-01	Cable, External Micro-Change-to-Internal Ethernet Module, MS-Connect 210, 8 in.	\$55
(10) MS-Q Reader Cable (If applicable)	61-000066-01	Cable, MS-Connect 210-to-MS-Q (Pre-Strip before Wiring)	\$88
(11) MS-Connect 210 Host Cable	61-000105-01	Cable, Pre-Stripped-to-9-Pin Host Cable, 6 ft.	\$30
(12) Pluggable Relay Module (If applicable; not shown)	98-000013-04	Relay Mod., 120VAC, 3A Output, Series 70, Type SM, for MS-Connect 210 & MS-890	\$55
(13) Pluggable Relay Module (If applicable; not shown)	98-000013-05	Relay Mod., 240VAC, 3A Output, Series 70, Type SM, for MS-Connect 210 & MS-890	\$55
(14) Pluggable Relay Module (If applicable; not shown)	98-000013-06	Relay Module, 24VDC, 3 Amp Output, Series 70, Type SM, for MS-Connect 210,MS-890	\$55
(15) Object Detector (If applicable)	99-000017-02	Photo Sensor, Visible, NPN, Light ON	\$193
DIN Rail Mounting Kit	98-000093-01	Kit, DIN Rail Mounting, MS-Connect 210	\$50

### Daisy Chain



Product	Reference No.	Description	List Price
(1) MS-Connect 210	FIS-0210-0001G	MS-Connect 210, Connectivity Box with Display	\$879
	FIS-0210-0002G	MS-Connect 210, Connectivity Box	\$599
	FIS-0210-0003G	MS-Connect 210, Connectivity Box with Display & Ethernet	\$999
	FIS-0210-0004G	MS-Connect 210, Connectivity Box with Ethernet	\$879
(3) Microscan Reader	FIS-XXXX-XXXXG	Varies	Varies
(4) Power Supply	97-000012-02	Power Supply, 100-240VAC, +24VDC, TRK 3-Pin, U.S./Euro Plug)	\$152
(5) IC-332	FIS-0001-0035G	Converter, IC-332, 24V/5V, Opto I/O, for Use with IB-131	\$182
(6) Reader Cable (10-28V)	61-000122-01	Cable to MS-Connect 210, Host RS-422/RS-485 for Multidrop, 6 ft.	\$110
(7) Reader Cable (5V Readers and MS-9)	61-000127-02	Cable, MS-2-to-MS-Connect 210, 6 ft.	\$110
(8) Reader Cable (MS-820 only; not shown)	61-000121-02	Cable, MS-820-to-MS-Connect 210, 3 ft.	\$33
(9) Internal Ethernet Cable (If applicable)	61-000128-01	Cable, External Micro-Change-to-Internal Ethernet Module, MS-Connect 210, 8 in.	\$55
(11) MS-Connect 210 Host Cable (not shown)	61-000105-01	Cable, Pre-Stripped-to-9-Pin Host Cable, 6 ft.	\$30
(14) Pluggable Relay Module (If applicable; not shown)	98-000013-04	Relay Mod., 120VAC, 3A Output, Series 70, Type SM, for MS-Connect 210 & MS-890	\$55
(15) Pluggable Relay Module (If applicable; not shown)	98-000013-05	Relay Mod., 240VAC, 3A Output, Series 70, Type SM, for MS-Connect 210 & MS-890	\$55
(16) Pluggable Relay Module (If applicable; not shown)	98-000013-06	Relay Module, 24VDC, 3 Amp Output, Series 70, Type SM, for MS-Connect 210,MS-890	\$55
(17) Object Detector (If applicable)	99-000017-02	Photo Sensor, Visible, NPN, Light ON	\$193
DIN Rail Mounting Kit	98-000093-01	Kit, DIN Rail Mounting, MS-Connect 210	\$50

# MICROSCAN

## Auto ID Product Accessories

2014-2015 YTD

Best Sellers

1) FIS-0001-0035G

2) 99-000018-01

### Right Angle Mirror Kits

Part Number	Description	List Price	Type
98-200026-02	Kit, Right Angle Mirror, MS-820/QX-830	\$83	A
98-200036-01	Kit, Right Angle Mirror, MS-9	\$83	A
98-000088-01	Kit, Right Angle Mirror, MS-4/MINI Hawk/Vision MINI	\$55	A
98-000058-02	Kit, Extended Right Angle Mirror, MS-2, MS-3	\$55	A

### Package Detector/Sensor

Part Number	Description	List Price	Type
99-000017-01	Photo Sensor, Visible, NPN, Dark ON	\$193	A
99-000017-02	Photo Sensor, Visible, NPN, Light ON	\$193	A
99-000019-01	Photo Sensor, Visible, NPN, Light On, 5VDC	\$193	A
99-000004-01	Package Detector, Standard Diffuse, 120 in. Range, 4-Pin Plug	\$248	A
99-000004-02	Package Detector, Standard Diffuse, 120 in. Range, Unterminated	\$248	A
99-000020-02	QX Photo Sensor, M12 4-Pin Plug, NPN, Dark On, 2 m.	\$193	A
99-000020-01	QX Photo Sensor, M12 4-Pin Plug, NPN, Dark Off, 2 m.	\$193	A

### Cable / Connectivity

Part Number	Description	List Price	Type
61-000010-02	Cable, Communication, DB-9 Socket-to-DB-9 Socket, 6 ft.	\$33	A
61-000011-02	Extension Cable, Reader-to-IB-131 (MS-2, MS-3, MS-4, MS-9, MS-710, MS-820, MINI)	\$33	A
61-000034-02	Cable, Communication/Serial, 25-Pin Socket-to-9-Pin Socket, 6 ft.	\$30	A
61-100029-03	Cable, Daisy Chain, IB-131	\$33	A
61-300026-03	Cable, Communication, DB-25 Plug-to-DB-9 Socket, 6 ft.	\$33	A
98-000040-02	Cable, Interface & Reader, 6 ft., IB-150	\$193	A
61-000112-01	Cable, USB Type A Plug-to-Mini-B Plug, 10 ft.	\$33	A
61-000151-01	Cable, MINI USB, I/O Breakout, Flying Leads, 3 ft.	\$33	A

### Connector Kits

Part Number	Description	List Price	Type
20-610024-01	Trigger Connector, 4-Pin Plug (Screw Terminal, Field-Wireable) (Self-Wiring)	\$33	A
20-610020-01	Power Conn.,3-Pin Socket (Screw Term.,Field-Wireable for Custom IB-131 Wiring)	\$33	A

### Power Supplies

Part Number	Description	List Price	Type
97-000011-02	Power Supply, 100-240VAC, +5VDC, 2-Pin Plug, U.S./Euro Plug	\$91	A
97-000012-02	Power Supply, 100-240VAC, +24VDC, TRK 3-Pin, U.S./Euro Plug)	\$152	A
97-000012-01	Power Supply, 100-240VAC, +24VDC, M12 12-Pin Socket	\$133	A
97-000012-04	QX Power Supply, 24V, M12 12 pin Plug, USA /Euro Plug	\$133	A

### Interface Boxes

Part Number	Description	List Price	Type
98-000014-02	Kit, IB-131/MS-820 Connectivity	\$212	A
99-000018-01	IB-131 Interface Box	\$182	A
99-000008-02	IB-150 Interface Box	\$165	A
99-000009-02	Interconnectivity, IB-151, RS-232, Ethernet TCP/IP	\$110	A
FIS-0001-0035G	Converter, IC-332, 24V/5V, Opto I/O, for Use with IB-131	\$182	A
98-000051-01	IC-3USB Interface Kit, USB-to-Serial, 15-Pin	\$91	A
FIS-0001-0030G	IB-3PC Keyboard Wedge/Interface Box	\$165	A
98-9000022-01	IB-3USB, USB Keyboard Wedge, 9600 bps, 9-Pin	\$150	A
98-9000022-02	IB-3USB, USB Keyboard Wedge, 38.4K bps, 9-Pin	\$150	A
99-420003-04	Accessory, Wiring Box, IB-890	\$350	A
98-000103-02	QX-1 Interface Device	\$195	A
61-000204-01	QX Cordset, Smart Series Light-to-QX-1, Continuous Power	\$204	A

# MICROSCAN.

## Mounting Components

Part Number	Description	List Price	Type
<b><u>Mounting Arm Kits</u></b>			
98-000016-01	Kit, 6 in. Mounting Arm/Adapter, MS-820, QX-830, QX-870	\$99	A
98-000017-01	Mounting Arm/Adapter Kit, IB-890, 6 in.	\$99	A
98-000018-01	Mounting Arm/Adapter Kit, MS-890, 6 in.	\$99	A
98-000019-01	Mounting Stand Kit, MS-9, 6 in.	\$99	A
98-000048-01	Kit, Mounting Arm/Adapter, 4 in., for MS-2, MS-3	\$77	A
<b><u>Extension Arm Kits</u></b>			
98-000037-01	Mounting Arm Extension Kit, 6 in., All Readers	\$61	A
98-000053-01	Mounting Arm Extension Kit, 4 in., for MS-3, MS-4, MINI	\$39	A
98-000053-02	Mounting Arm Extension Kit, 3 in., for MS-2, MS-3, MS-4, MINI	\$39	A
<b><u>Base Plates</u></b>			
98-000046-01	Large Base Plate, 12 in.x12 in.	\$44	A
98-000054-01	Kit, Mounting Stand Base Plate	\$33	A
<b><u>Standard Mounting Plates</u></b>			
98-000092-01	Kit, Mounting Plate, MS-9	\$22	A
98-500006-01	Kit, Mounting Plate, MS-710, MS-820, QX-830, QX-870	\$22	A
98-200037-01	Kit, Mounting Plate, MS-890	\$44	A
98-000060-01	Kit, Bracket, Side Mount, MS-2, MS-3, MINI	\$22	A
98-000059-01	Kit, Bracket, Angle Mount, MS-2, MS-3, MINI	\$22	A
98-000057-02	Kit, Bracket, Through-Hole Mount, MS-2, MS-3, MINI	\$22	A

\* Through-hole mounting plate; not for use with mounting arm.

## Software / Manuals

Part Number	Description	List Price	Type
37-000010-01*	Tools Drive, User Documentation, Software	\$30	A

\* 1 free per order.

# MICROSCAN.

## Vision MINI Smart Camera



**Integrated Lighting**  
**Standard and High Density Models**  
**SXGA CMOS 1.3 MP mono**  
**QXGA CMOS 3.0 MP color**  
**WVGA CMOS 0.4 MP mono**  
**USB or Serial\*\***  
**IP-54**  
**+5VDC**  
**AutoVISION Software\***  
**Supports AutoVISION and Visionscape Software**



2014-2015 YTD Best Sellers	
1)	GMV-6300-2212G
2)	GMV-6300-2200G
3)	GMV-6300-2210G



\*Color models are only supported by Visionscape

\*\* Serial requires optional adapter

\*\*Important Pricing Discount Note\*\* Product discounts are applied based on the Product TYPE code shown in the TYPE column below.

Product Type codes are defined as: P = PRODUCT Discount, A = ACCESSORY Discount, VP = VISION PRODUCT Discount.

A Product Type code modified with L signifies Legacy Status (refer to Legacy section of this catalog).

Refer to your Partner Agreement for the actual discount percentage by Product Type.

### Vision MINI Smart Camera - 1.3 MP SXGA (1280 x 1024)

Part Number	Description	List Price	Type
GMV-6300-2110G	Vision MINI, SXGA Mono, SD, AV, RS-232/USB	\$1,990	P
GMV-6300-2210G	Vision MINI, SXGA Mono, HD, AV, RS-232/USB	\$1,990	P
GMV-6300-2112G	Vision MINI, SXGA Mono, SD, VS+AV, RS-232/USB	\$2,490	P
GMV-6300-2212G	Vision MINI, SXGA Mono, HD, VS+AV, RS-232/USB	\$2,490	P
GMV-6300-2114G*	Vision MINI, SXGA Mono, SD, AV+Verif., RS-232/USB	\$2,390	P
GMV-6300-2214G*	Vision MINI, SXGA Mono, HD, AV+Verif., RS-232/USB	\$2,390	P
GMV-6300-2116G*	Vision MINI, SXGA Mono, SD, VS+AV+Verif., RS-232/USB	\$2,890	P
GMV-6300-2216G*	Vision MINI, SXGA Mono, HD, VS+AV+Verif., RS-232/USB	\$2,890	P

\* Verification calibration card not included in verification license

### Vision MINI Smart Camera - 0.4 MP WVGA (752 x 480)

Part Number	Description	List Price	Type
GMV-6300-2100G	Vision MINI, WVGA Mono, SD, AV, RS-232/USB	\$1,990	P
GMV-6300-2200G	Vision MINI, WVGA Mono, HD, AV, RS-232/USB	\$1,990	P
GMV-6300-2102G	Vision MINI, WVGA Mono, SD, VS+AV, RS-232/USB	\$2,490	P
GMV-6300-2202G	Vision MINI, WVGA Mono, HD, VS+AV, RS-232/USB	\$2,490	P
GMV-6300-2104G*	Vision MINI, WXGA Mono, SD, AV+Verif., RS-232/USB	\$2,390	P
GMV-6300-2204G*	Vision MINI, WXGA Mono, HD, AV+Verif., RS-232/USB	\$2,390	P
GMV-6300-2106G*	Vision MINI, WXGA Mono, SD, VS+AV+Verif., RS-232/USB	\$2,890	P
GMV-6300-2206G*	Vision MINI, WXGA Mono, HD, VS+AV+Verif., RS-232/USB	\$2,890	P

\* Verification calibration card not included in verification license

### Vision MINI Smart Camera - 3 MP Color QXGA (2048 x 1536)

Part Number	Description	List Price	Type
GMV-6300-2172G	Vision MINI, QXGA Color, SD, VS, RS-232/USB	\$2,990	P
GMV-6300-2272G	Vision MINI, QXGA Color, HD, VS, RS-232/USB	\$2,990	P

The GMV-6300-2272G is a Smart Camera with 3.0 MPixel color sensors. It is not detected and listed as cameras that can be connected and programmed by AutoVISION. It is detected and listed by Visionscape which is required for programming and monitoring.

### Software

Part Number	Description	List Price	Type
98-000217-01	AV to VS License Upgrade	\$500	A
98-000217-02	AV to VS Verif. & OCV License Upgrade	\$400	A
98-000217-03	AV to VS Upgrade with Verif. & OCV License	\$900	A

### Verification Calibration Card

Part Number	Description	List Price	Type
98-000265-01	AV Verif. Calibration Card with NIST-Traceable Measurement Report	\$475	A
98-000265-02	AV Verif. Calibration Card	\$225	A

## Accessories

Part Number	Description	List Price	Type
98-000215-01*	Demo Kit, AV, Supports Vision MINI & Vision HAWK (Cameras Not Included)	\$595	A
FIS-0210-0001G	MS-Connect 210, Connectivity Box with Display	\$849	A
FIS-0210-0002G	MS-Connect 210, Connectivity Box	\$549	A
FIS-0210-0003G	MS-Connect 210, Connectivity Box with Display & Ethernet	\$949	A
FIS-0210-0004G	MS-Connect 210, Connectivity Box with Ethernet	\$849	A
98-000013-04	Relay Mod., 120VAC, 3A Output, Series 70, Type SM, for MS-Connect 210 & MS-890	\$52	A
98-000013-05	Relay Mod., 240VAC, 3A Output, Series 70, Type SM, for MS-Connect 210 & MS-890	\$52	A
98-000013-06	Relay Module, 24VDC, 3 Amp Output, Series 70, Type SM, for MS-Connect 210,MS-890	\$52	A
61-000127-02	Cable, MS-2-to-MS-Connect 210, 6 ft.	\$110	A
FIS-0001-0035G	Converter, IC-332, 24V/5V, Opto I/O, for Use with IB-131	\$182	A
99-000018-01	IB-131 Interface Box	\$182	A
61-300026-03	Cable, Communication, DB-25 Plug-to-DB-9 Socket, 6 ft.	\$33	A
61-100029-03	Cable, Daisy Chain, IB-131	\$33	A
61-000208-01	Cable, USB 2.0, Type A/Type B, with Ferrite	\$25	A
61-000011-02	Extension Cable, Reader-to-IB-131 (MS-2, MS-3, MS-4, MS-9, MS-710, MS-820, MINI)	\$33	A
98-000098-01	Kit, MINI Diffuser	\$55	A

\* This Demo Kit does not contain a reader and is discounted 25%. The separately purchased reader is discounted 60%.

## Power Supply

Part Number	Description	List Price	Type
97-000012-02	Power Supply, 100-240VAC, +24VDC, TRK 3-Pin, U.S./Euro Plug)	\$152	A

## Mounting and Connectors

Part Number	Description	List Price	Type
98-000048-01	Kit, Mounting Arm/Adapter, 4 in., for MS-2, MS-3	\$77	A
98-000054-01	Kit, Mounting Stand Base Plate	\$33	A
98-000053-01	Mounting Arm Extension Kit, 4 in., for MS-3, MS-4, MINI	\$39	A
98-000053-02	Mounting Arm Extension Kit, 3 in., for MS-2, MS-3, MS-4, MINI	\$39	A
98-000060-01	Kit, Bracket, Side Mount, MS-2, MS-3, MINI	\$22	A
98-000059-01	Kit, Bracket, Angle Mount, MS-2, MS-3, MINI	\$22	A
98-000057-02	Kit, Bracket, Through-Hole Mount, MS-2, MS-3, MINI	\$22	A
98-000088-01	Kit, Right Angle Mirror, MS-4/MINI Hawk/Vision MINI	\$55	A
20-610024-01	Trigger Connector, 4-Pin Plug (Screw Terminal, Field-Wireable) (Self-Wiring)	\$33	A
20-610020-01	Power Conn.,3-Pin Socket (Screw Term.,Field-Wireable for Custom IB-131 Wiring)	\$33	A
99-000055-01	Bracket, Smart Series DOAL-50 mm-to-Vision MINI & MINI Hawk	\$253	A
99-000057-01	Bracket, Smart Series DOAL-75 mm-to-Vision MINI & MINI Hawk	\$253	A
99-000059-01	Bracket, Smart Series DOAL-100 mm-to-Vision MINI & MINI Hawk	\$253	A
99-000053-01	Bracket, Smart Series Ring-60/70 mm-to-Vision MINI & MINI Hawk	\$138	A
99-000054-01	Bracket, Smart Series Ring-100 mm-to-Vision MINI & MINI Hawk	\$138	A

## Package Detector/Sensor

Part Number	Description	List Price	Type
99-000017-01	Photo Sensor, Visible, NPN, Dark ON	\$193	A
99-000017-02	Photo Sensor, Visible, NPN, Light ON	\$193	A
99-000019-01	Photo Sensor, Visible, NPN, Light On, 5VDC	\$193	A

## Software/Manuals

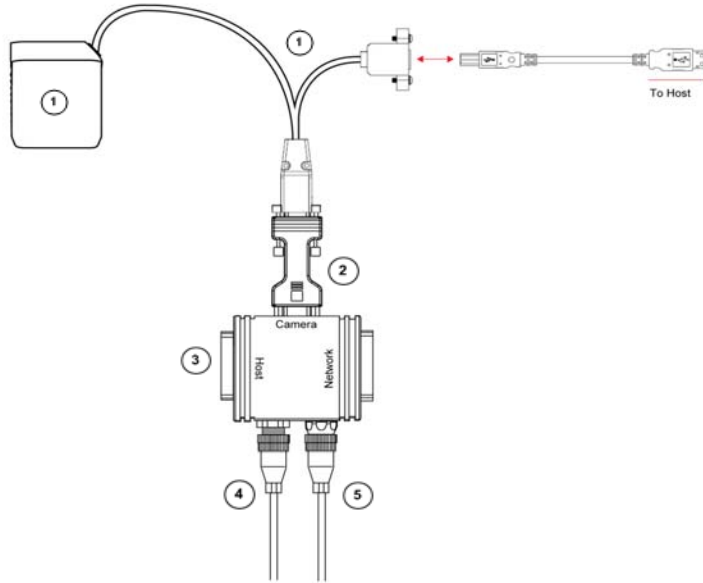
Part Number	Description	List Price	Type
37-000010-01*	Tools Drive, User Documentation, Software	\$30	A

\* 1 free per order.



## Stand Alone USB

A single reader is connected directly to the host via USB.



### System Matrix

Item	Part Number	Description	List Price
1	GMV-6300-2XXXG	Vision MINI Smart Camera and Included Cables	Varies
2	FIS-0001-0035G	Converter, IC-332, 24V/5V, Opto I/O, for Use with IB-131	\$182
3	99-000018-01	IB-131 Interface Box	\$182
4	97-000012-02	Power Supply, 100-240VAC, +24VDC, TRK 3-Pin, U.S./Euro Plug)	\$152
5	99-000017-01	Photo Sensor, Visible, NPN, Dark ON	\$193
	37-000010-01	Tools Drive, User Documentation, Software	\$30

# MICROSCAN.

## Vision MINI Xi Smart Camera



**Integrated Lighting**  
**Standard and High Density Models**  
**SXGA CMOS 1.3 MP mono**  
**QXGA CMOS 3.0 MP color**  
**WVGA CMOS 0.4 MP mono**  
**Ethernet and Serial Connectivity**  
**Ethernet/IP via Microscan LINK**  
**IP-54**  
**5 - 28 VDC**  
**AutoVISION Software\***  
**Supports AutoVISION and Visionscape Software**  
**CloudLink Dashboard web HMI**

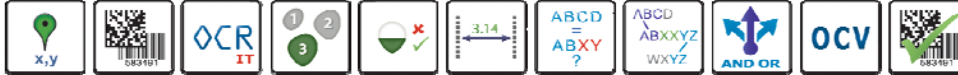


**MICROSCAN.**  
**LINK**



**EtherNet/IP**

2014-2015 YTD Best Sellers	
1)	GMV-6310-1110G
2)	GMV-6310-1112G
3)	GMV-6310-1216G



\*Color models are only supported by Visionscape

**\*\*Important Pricing Discount Note\*\*** Product discounts are applied based on the Product TYPE code shown in the TYPE column below.

Product Type codes are defined as: P = PRODUCT Discount, A = ACCESSORY Discount, VP = VISION PRODUCT Discount.

A Product Type code modified with L signifies Legacy Status (refer to Legacy section of this catalog).

Refer to your Partner Agreement for the actual discount percentage by Product Type.

Lens Types are defined as **SD** = Standard Density Wide Angle Optics, and **HD** = High Density Narrow Angle Optics

### Vision MINI Xi Smart Camera - 1.3 MP SXGA (1280 x 1024)

Part Number	Description	List Price	Type
GMV-6310-1110G	Vision MINI Xi, SXGA Mono, SD, AV, Ethernet/24V	\$2,490	P
GMV-6310-1210G	Vision MINI Xi, SXGA Mono, HD, AV, Ethernet/24V	\$2,490	P
GMV-6310-1112G	Vision MINI Xi, SXGA Mono, SD, VS+AV, Ethernet/24V	\$2,990	P
GMV-6310-1212G	Vision MINI Xi, SXGA Mono, HD, VS+AV, Ethernet/24V	\$2,990	P
GMV-6310-1114G*	Vision MINI Xi, SXGA Mono, SD, AV+Verif., Ethernet/24V	\$2,890	P
GMV-6310-1214G*	Vision MINI Xi, SXGA Mono, HD, AV+Verif., Ethernet/24V	\$2,890	P
GMV-6310-1116G*	Vision MINI Xi, SXGA Mono, SD, VS+AV+Verif., Ethernet/24V	\$3,390	P
GMV-6310-1216G*	Vision MINI Xi, SXGA Mono, HD, VS+AV+Verif., Ethernet/24V	\$3,390	P

\* Verification calibration card not included in verification license

### Vision MINI Xi Smart Camera - 0.4 MP WVGA (752 x 480)

Part Number	Description	List Price	Type
GMV-6310-1100G	Vision MINI Xi, WVGA Mono, SD, AV	\$2,290	P
GMV-6310-1200G	Vision MINI Xi, WVGA Mono, HD, AV, Ethernet/24V	\$2,290	P
GMV-6310-1102G	Vision MINI Xi, WVGA Mono, SD, VS+AV, Ethernet/24V	\$2,790	P
GMV-6310-1202G	Vision MINI Xi, WVGA Mono, HD, VS+AV, Ethernet/24V	\$2,790	P
GMV-6310-1104G*	Vision MINI Xi, WVGA Mono, SD, AV+Verif., Ethernet/24V	\$2,690	P
GMV-6310-1204G*	Vision MINI Xi, WVGA Mono, HD, AV+Verif., Ethernet/24V	\$2,690	P
GMV-6310-1106G*	Vision MINI Xi, WVGA Mono, SD, VS+AV+Verif., Ethernet/24V	\$3,190	P
GMV-6310-1206G*	Vision MINI Xi, WVGA Mono, HD, VS+AV+Verif., Ethernet/24V	\$3,190	P

\* Verification calibration card not included in verification license

### Vision MINI Xi Smart Camera - 3 MP Color QXGA (2048 x 1536)

Part Number	Description	List Price	Type
GMV-6310-1172G	Vision MINI Xi, QXGA Color, SD, VS, Ethernet/24V	\$3,040	P
GMV-6310-1272G	Vision MINI Xi, QXGA Color, HD, VS, Ethernet/24V	\$3,040	P

The GMV-6310-1x72G is a Smart Camera with 3.0 MPixel color sensors. It is not detected and listed as cameras that can be connected and programmed by AutoVISION. It is detected and listed by Visionscape which is required for programming and monitoring.

### Software

Part Number	Description	List Price	Type
98-000217-01	AV to VS License Upgrade	\$500	A
98-000217-02	AV to VS Verif. & OCV License Upgrade	\$400	A
98-000217-03	AV to VS Upgrade with Verif. & OCV License	\$900	A

### Verification Calibration Card

Part Number	Description	List Price	Type
98-000265-01	AV Verif. Calibration Card with NIST-Traceable Measurement Report	\$475	A
98-000265-02	AV Verif. Calibration Card	\$225	A

# MICROSCAN.

## QX-1, Cordsets and Accessories

Part Number	Description	List Price	Type
98-000103-02	QX-1 Interface Device	\$195	A
61-000148-01	QX Cordset,Common,M12 12-Pin Socket(Ult.Lock)-to-M12 12-Pin Plug(Ult.Lock),3m.	\$80	A
61-000148-02	QX Cordset,Common,M12 12-Pin Socket(Screw-On)-to-M12 12-Pin Plug(Screw-On),3m.	\$88	A
61-000162-02	QX Cordset,Common,M12 12-Pin Socket(Screw-On)-to-M12 12-Pin Plug(Screw-On),1m.	\$81	A
61-000153-02	QX Cordset, Host, Serial, M12 12-Pin Socket (Screw-On)-to-DB-9 Socket, 1 m.	\$81	A
61-000164-02	QX Cordset, Host, Serial, M12 12-Pin Socket (Screw-On)-to-DB-9 Socket, 3 m.	\$88	A
61-000152-02	QX Cordset, Host, Serial, M12 12-Pin Plug (Screw-On)-to-DB-9 Socket, 1 m.	\$81	A
61-000165-02	QX Cordset, Host, Serial M12 12-Pin Plug (Screw-On)-to-DB-9 Socket, 3 m.	\$94	A
61-000158-03	QX Cordset, M12 12-Pin Plug & M12 12-Pin Socket-to-MS-Connect 210 (RS-232), 2 m.	\$372	A
61-000166-02	QX Cordset, M12 12-Pin Plug (Screw-On)-to-Flying Leads, 3 m.	\$88	A
61-000167-02	QX Cordset, M12 12-Pin Socket (Screw-On)-to-Flying Leads, 3 m.	\$88	A
FIS-0210-0001G	MS-Connect 210, Connectivity Box with Display	\$849	A
FIS-0210-0002G	MS-Connect 210, Connectivity Box	\$549	A
FIS-0210-0003G	MS-Connect 210, Connectivity Box with Display & Ethernet	\$949	A
FIS-0210-0004G	MS-Connect 210, Connectivity Box with Ethernet	\$849	A
98-000013-04	Relay Mod., 120VAC, 3A Output, Series 70, Type SM, for MS-Connect 210 & MS-890	\$52	A
98-000013-05	Relay Mod., 240VAC, 3A Output, Series 70, Type SM, for MS-Connect 210 & MS-890	\$52	A
98-000013-06	Relay Module, 24VDC, 3 Amp Output, Series 70, Type SM, for MS-Connect 210,MS-890	\$52	A
61-000204-01	QX Cordset, Smart Series Light-to-QX-1, Continuous Power	\$204	A
61-000207-01	QX Cordset, Smart Series Light-to-QX-1, Continuous ON/OFF	\$230	A
98-000098-01	Kit, MINI Diffuser	\$55	A
98-000215-01*	Demo Kit, AV, Supports Vision MINI & Vision HAWK (Cameras Not Included)	\$595	A

\* This Demo Kit does not contain a camera and is discounted 25%. The separately purchased reader is discounted 60%.

## Power Supply

Part Number	Description	List Price	Type
97-000012-01	Power Supply, 100-240VAC, +24VDC, M12 12-Pin Socket	\$133	A

## Mounting and Connectors

Part Number	Description	List Price	Type
98-000048-01	Kit, Mounting Arm/Adapter, 4 in., for MS-2, MS-3	\$77	A
98-000054-01	Kit, Mounting Stand Base Plate	\$33	A
98-000053-01	Mounting Arm Extension Kit, 4 in., for MS-3, MS-4, MINI	\$39	A
98-000053-02	Mounting Arm Extension Kit, 3 in., for MS-2, MS-3, MS-4, MINI	\$39	A
98-000060-01	Kit, Bracket, Side Mount, MS-2, MS-3, MINI	\$22	A
98-000059-01	Kit, Bracket, Angle Mount, MS-2, MS-3, MINI	\$22	A
98-000057-02	Kit, Bracket, Through-Hole Mount, MS-2, MS-3, MINI	\$22	A
98-000088-01	Kit, Right Angle Mirror, MS-4/MINI Hawk/Vision MINI	\$55	A
20-610024-01	Trigger Connector, 4-Pin Plug (Screw Terminal, Field-Wireable) (Self-Wiring)	\$33	A
99-000055-01	Bracket, Smart Series DOAL-50 mm-to-Vision MINI & MINI Hawk	\$253	A
99-000057-01	Bracket, Smart Series DOAL-75 mm-to-Vision MINI & MINI Hawk	\$253	A
99-000059-01	Bracket, Smart Series DOAL-100 mm-to-Vision MINI & MINI Hawk	\$253	A
99-000053-01	Bracket, Smart Series Ring-60/70 mm-to-Vision MINI & MINI Hawk	\$138	A
99-000054-01	Bracket, Smart Series Ring-100 mm-to-Vision MINI & MINI Hawk	\$138	A

## Package Detector/Sensor

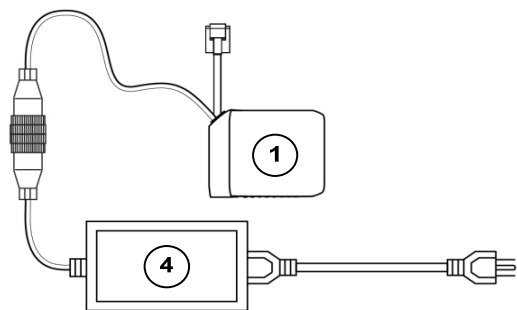
Part Number	Description	List Price	Type
99-000020-02	QX Photo Sensor, M12 4-Pin Plug, NPN, Dark On, 2 m.	\$193	A
99-000020-01	QX Photo Sensor, M12 4-Pin Plug, NPN, Dark Off, 2 m.	\$193	A

## Software/Manuals

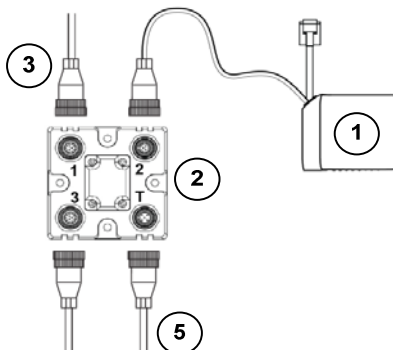
Part Number	Description	List Price	Type
37-000010-01*	Tools Drive, User Documentation, Software	\$30	A

\* 1 free per order.

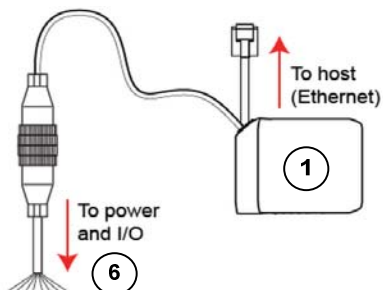
## Stand Alone



## Stand Alone with QX-1



## Stand Alone with Flying Leads



### Wire Colors

1	WHITE
2	BROWN
3	GREEN
4	YELLOW
5	GRAY
6	PINK
7	BLUE
8	RED
9	BLACK
10	VIOLET
11	GRAY STRIPED PINK
12	RED STRIPED BLUE

## System Matrix

Product	Reference No.	Description	List Price
1	GMV-6310-1XXXG	Vision MINI Xi	Varies
2	98-000103-02	QX-1 Interface Device	\$195
3	61-000153-01	QX Cordset, Host, Serial, M12 12 Pin Socket (Ultralock) to DB9 Socket, 1M	\$80
4	97-000012-01	Power Supply, 100-240VAC, +24VDC, M12 12-Pin Socket	\$133
5	99-000020-02	QX Photo Sensor, M12 4-Pin Plug, NPN, Dark On, 2 m.	\$193
6	61-000167-02	QX Cordset, M12 12-Pin Socket (Screw-On)-to-Flying Leads, 3 m.	\$88
Mounting Arm/Adapter Kit	98-000048-01	Kit, Mounting Arm/Adapter, 4 in., for MS-2, MS-3	\$77
Mounting Plate	98-000054-01	Kit, Mounting Stand Base Plate	\$33
User Documentation, Software	37-000010-01*	Tools Drive, User Documentation, Software	\$30
Power Supply	97-000012-01	Power Supply, 100-240VAC, +24VDC, M12 12-Pin Socket	\$133

\* 1 free per order.

# MICROSCAN.

## Vision HAWK Industrial Smart Camera



**Integrated Lighting**  
**WVGA CMOS mono**  
**SXGA CCD mono & color**  
**WUXGA Mono**  
**C-Mount Configurations**  
**Ethernet and Serial Connectivity**  
**Ethernet/IP and ProfiNET I/O via Microscan LINK**  
**IP-67**  
**5 - 28 VDC**  
**AutoVISION Software\***  
**Supports AutoVISION and Visionscape Software**  
**CloudLink Dashboard web HMI**

**MICROSCAN.**  
LINK



\*Color models are only supported by Visionscape

\*\*Important Pricing Discount Note\*\* Product discounts are applied based on the Product TYPE code shown in the TYPE column below.

Product Type codes are defined as: P = PRODUCT Discount, A = ACCESSORY Discount, VP = VISION PRODUCT Discount.

A Product Type code modified with L signifies Legacy Status (refer to Legacy section of this catalog).

Refer to your Partner Agreement for the actual discount percentage by Product Type.

2014-2015 YTD Best Sellers	
1)	GMV-6800-1032G
2)	GMV-6800-1502G
3)	GMV-6800-1002G
4)	GMV-6800-1012G

### Vision HAWK Smart Camera WVGA (752 x 480)

Part Number	Description	List Price	Type
GMV-6800-1010G	Vision HAWK, WVGA Mono, C-Mount, AV	\$3,350	P
GMV-6800-1410G	Vision HAWK, WVGA Mono, 12°, AV	\$3,560	P
GMV-6800-1510G	Vision HAWK, WVGA Mono, 15°, AV	\$3,560	P
GMV-6800-1210G	Vision HAWK, WVGA Mono, 30°, AV	\$3,560	P
GMV-6800-1310G	Vision HAWK, WVGA Mono, 45°, AV	\$3,560	P
<b>GMV-6800-1012G</b>	<b>Vision HAWK, WVGA Mono, C-Mount, VS+AV</b>	<b>\$3,875</b>	<b>P</b>
GMV-6800-1412G	Vision HAWK, WVGA Mono, 12°, VS+AV	\$4,085	P
GMV-6800-1512G	Vision HAWK, WVGA Mono, 15°, VS+AV	\$4,085	P
GMV-6800-1212G	Vision HAWK, WVGA Mono, 30°, VS+AV	\$4,085	P
GMV-6800-1312G	Vision HAWK, WVGA Mono, 45°, VS+AV	\$4,085	P
GMV-6800-1014G*	Vision HAWK, WVGA Mono, C-Mount, AV+Verif./OCV	\$3,770	P
GMV-6800-1414G*	Vision HAWK, WVGA Mono, 12°, AV+Verif./OCV	\$3,980	P
GMV-6800-1514G*	Vision HAWK, WVGA Mono, 15°, AV+Verif./OCV	\$3,980	P
GMV-6800-1214G*	Vision HAWK, WVGA Mono, 30°, AV+Verif./OCV	\$3,980	P
GMV-6800-1314G*	Vision HAWK, WVGA Mono, 45°, AV+Verif./OCV	\$3,980	P
GMV-6800-1016G*	Vision HAWK, WVGA Mono, C-Mount, VS+AV+Verif./OCV	\$4,295	P
GMV-6800-1416G*	Vision HAWK, WVGA Mono, 12°, VS+AV+Verif./OCV	\$4,505	P
GMV-6800-1516G*	Vision HAWK, WVGA Mono, 15°, VS+AV+Verif./OCV	\$4,505	P
GMV-6800-1216G*	Vision HAWK, WVGA Mono, 30°, VS+AV+Verif./OCV	\$4,505	P
GMV-6800-1316G*	Vision HAWK, WVGA Mono, 45°, VS+AV+Verif./OCV	\$4,505	P

\* Verification calibration card not included in verification license

# MICROSCAN

## Vision HAWK Smart Camera 1.2 MP SXGA (1280 x 960)

Part Number	Description	List Price	Type
GMV-6800-1000G	Vision HAWK, SXGA Mono, C-Mount, AV	\$3,560	P
GMV-6800-1400G	Vision HAWK, SXGA Mono, 12°, AV	\$3,780	P
GMV-6800-1500G	Vision HAWK, SXGA Mono, 15°, AV	\$3,780	P
GMV-6800-1200G	Vision HAWK, SXGA Mono, 30°, AV	\$3,780	P
GMV-6800-1300G	Vision HAWK, SXGA Mono, 45°, AV	\$3,780	P
GMV-6800-1002G	Vision HAWK, SXGA Mono, C-Mount, VS+AV	\$4,085	P
GMV-6800-1402G	Vision HAWK, SXGA Mono, 12°, VS+AV	\$4,295	P
GMV-6800-1502G	Vision HAWK, SXGA Mono, 15°, VS+AV	\$4,295	P
GMV-6800-1202G	Vision HAWK, SXGA Mono, 30°, VS+AV	\$4,295	P
GMV-6800-1302G	Vision HAWK, SXGA Mono, 45°, VS+AV	\$4,295	P
GMV-6800-1004G*	Vision HAWK, SXGA Mono, C-Mount, AV+Verif./OCV	\$3,980	P
GMV-6800-1404G*	Vision HAWK, SXGA Mono, 12°, AV+Verif./OCV	\$4,190	P
GMV-6800-1504G*	Vision HAWK, SXGA Mono, 15°, AV+Verif./OCV	\$4,190	P
GMV-6800-1204G*	Vision HAWK, SXGA Mono, 30°, AV+Verif./OCV	\$4,190	P
GMV-6800-1304G*	Vision HAWK, SXGA Mono, 45°, AV+Verif./OCV	\$4,190	P
GMV-6800-1006G*	Vision HAWK, SXGA Mono, C-Mount, VS+AV+Verif./OCV	\$4,505	P
GMV-6800-1406G*	Vision HAWK, SXGA Mono, 12°, VS+AV+Verif./OCV	\$4,715	P
GMV-6800-1506G*	Vision HAWK, SXGA Mono, 15°, VS+AV+Verif./OCV	\$4,715	P
GMV-6800-1206G*	Vision HAWK, SXGA Mono, 30°, VS+AV+Verif./OCV	\$4,715	P
GMV-6800-1306G*	Vision HAWK, SXGA Mono, 45°, VS+AV+Verif./OCV	\$4,715	P

\* Verification calibration card not included in verification license

## Vision HAWK Smart Camera 2MP WUXGA (2048 x 1088)

Part Number	Description	List Price	Type
GMV-6800-1030G	Vision HAWK, WUXGA Mono, C-Mount, AV	\$4,715	P
GMV-6800-1032G	Vision HAWK, WUXGA Mono, C-Mount, VS+AV	\$5,240	P
GMV-6800-1034G*	Vision HAWK, WUXGA Mono, C-Mount, AV+Verif./OCV	\$5,235	P
GMV-6800-1036G*	Vision HAWK, WUXGA Mono, C-Mount, VS+AV+Verif./OCV	\$5,660	P

\* Verification calibration card not included in verification license

## Vision HAWK Smart Camera 1.2MP SXGA (1280 960) Color

Part Number	Description	List Price	Type
GMV-6800-1022G	Vision HAWK, SXGA Color, C-Mount, VS	\$5,030	P
GMV-6800-1422G	Vision HAWK, SXGA Color, 12°, VS	\$5,240	P
GMV-6800-1522G	Vision HAWK, SXGA Color, 15°, VS	\$5,240	P
GMV-6800-1222G	Vision HAWK, SXGA Color, 30°, VS	\$5,240	P
GMV-6800-1322G	Vision HAWK, SXGA Color, 45°, VS	\$5,240	P

The Vision HAWK Color Smart Camera It is not detected and listed as cameras that can be connected and programmed by AutoVISION. It is detected and listed by Visionscape which is required for programming and monitoring.

## Software

Part Number	Description	List Price	Type
98-000217-01	AV to VS License Upgrade	\$500	A
98-000217-02	AV to VS Verif. & OCV License Upgrade	\$400	A
98-000217-03	AV to VS Upgrade with Verif. & OCV License	\$900	A
37-9000017-01*	VS I-PAK VH, Inspection System Interface for Vision HAWKS	\$2,500	VP

\*Compatible with Vision HAWK Smart Camera models equipped with Visionscape license

## Verification Calibration Card

Part Number	Description	List Price	Type
98-000265-01	AV Verif. Calibration Card with NIST-Traceable Measurement Report	\$475	A
98-000265-02	AV Verif. Calibration Card	\$225	A

## Accessories

Part Number	Description	List Price	Type
98-000143-01	Kit, Adapter Plate, QX Hawk/Vision HAWK	\$55	A
98-000144-01	Right Angle Mirror Kit, QX Hawk/Vision HAWK	\$85	A
98-000146-01	Kit, Window Replacement, QX Hawk/Vision HAWK	\$35	A
98-000147-04	12° Lens, QX Hawk	\$135	A
98-000147-01	15° Lens, QX Hawk	\$135	A
98-000147-02	30° Lens, QX Hawk	\$135	A
98-000147-03	45° Lens, QX Hawk	\$135	A
98-000205-01	Kit, Glass Window with IR Coating, QX Hawk/Vision HAWK	\$135	A
98-000206-01	Kit, Glass Window, QX Hawk/Vision HAWK	\$70	A
98-000206-02	Kit, Lexan Window with Metal Bezel, QX Hawk/Vision HAWK	\$70	A
98-000262-01	Kit, White LED Illumination, QX Hawk/Vision HAWK	\$350	A
98-000262-02	Kit, Blue LED Illumination, QX Hawk/Vision HAWK	\$350	A
98-000215-01*	Demo Kit, AV, Supports Vision MINI & Vision HAWK (Cameras Not Included)	\$595	A

\* This Demo Kit does not contain a reader and is discounted 25%. The separately purchased reader is discounted 60%.

## QX-1 and Cordsets

Part Number	Description	List Price	Type
98-000103-02	QX-1 Interface Device	\$195	A
61-000148-01	QX Cordset,Common,M12 12-Pin Socket(Ult.Lock)-to-M12 12-Pin Plug(Ult.Lock),3m.	\$80	A
61-000148-02	QX Cordset,Common,M12 12-Pin Socket(Screw-On)-to-M12 12-Pin Plug(Screw-On),3m.	\$88	A
61-000162-02	QX Cordset,Common,M12 12-Pin Socket(Screw-On)-to-M12 12-Pin Plug(Screw-On),1m.	\$81	A
61-000153-02	QX Cordset, Host, Serial, M12 12-Pin Socket (Screw-On)-to-DB-9 Socket, 1 m.	\$81	A
61-000164-02	QX Cordset, Host, Serial, M12 12-Pin Socket (Screw-On)-to-DB-9 Socket, 3 m.	\$88	A
61-000152-02	QX Cordset, Host, Serial, M12 12-Pin Plug (Screw-On)-to-DB-9 Socket, 1 m.	\$81	A
61-000165-02	QX Cordset, Host, Serial M12 12-Pin Plug (Screw-On)-to-DB-9 Socket, 3 m.	\$94	A
61-000163-03	QX Cordset, Host, Ethernet, M12 8-Pin Plug (Screw-On)-to-RJ45, 3 m.	\$85	A
61-000160-03	QX Cordset, Host, Ethernet, M12 8-Pin Plug (Screw-On)-to-RJ45, 1 m.	\$80	A
61-000172-02	QX Cordset,M12 12-Pin Plug-to-M12 12-Pin Socket-to-DB-25 Plug, Turck Connectors	\$285	A
61-000158-03	QX Cordset, M12 12-Pin Plug & M12 12-Pin Socket-to-MS-Connect 210 (RS-232), 2 m.	\$372	A
61-000158-04	QX Cordset, M12 12-Pin Plug & M12 12-Pin Socket-to-MS-Connect 210 (RS-422), 2 m.	\$248	A
61-000166-02	QX Cordset, M12 12-Pin Plug (Screw-On)-to-Flying Leads, 3 m.	\$88	A
61-000167-02	QX Cordset, M12 12-Pin Socket (Screw-On)-to-Flying Leads, 3 m.	\$88	A
FIS-0210-0001G	MS-Connect 210, Connectivity Box with Display	\$849	A
FIS-0210-0002G	MS-Connect 210, Connectivity Box	\$549	A
FIS-0210-0003G	MS-Connect 210, Connectivity Box with Display & Ethernet	\$949	A
FIS-0210-0004G	MS-Connect 210, Connectivity Box with Ethernet	\$849	A
98-000013-04	Relay Mod., 120VAC, 3A Output, Series 70, Type SM, for MS-Connect 210 & MS-890	\$52	A
98-000013-05	Relay Mod., 240VAC, 3A Output, Series 70, Type SM, for MS-Connect 210 & MS-890	\$52	A
98-000013-06	Relay Module, 24VDC, 3 Amp Output, Series 70, Type SM, for MS-Connect 210,MS-890	\$52	A
61-000204-01	QX Cordset, Smart Series Light-to-QX-1, Continuous Power	\$204	A
61-000207-01	QX Cordset, Smart Series Light-to-QX-1, Continuous ON/OFF	\$230	A
61-000218-01*	QX Cordset, Smart Series Light-to-QX-1, Strobe, NPN	\$130	A

\*Strobe is available on C-Mount Vision HAWK only

## Power Supplies

Part Number	Description	List Price	Type
97-000012-01	Power Supply, 100-240VAC, +24VDC, M12 12-Pin Socket	\$133	A

## Package Detector/Sensor

Part Number	Description	List Price	Type
99-000020-02	QX Photo Sensor, M12 4-Pin Plug, NPN, Dark On, 2 m.	\$193	A
99-000020-01	QX Photo Sensor, M12 4-Pin Plug, NPN, Dark Off, 2 m.	\$193	A

# MICROSCAN

## Mounting and Connectors

Part Number	Description	List Price	Type
20-610024-01	Trigger Connector, 4-Pin Plug (Screw Terminal, Field-Wireable) (Self-Wiring)	\$33	A
98-000037-01	Mounting Arm Extension Kit, 6 in., All Readers	\$61	A
98-000054-01	Kit, Mounting Stand Base Plate	\$33	A
98-000016-01	Kit, 6 in. Mounting Arm/Adapter, MS-820, QX-830, QX-870	\$99	A
99-000056-01	Bracket, Smart Series DOAL-50 mm-to-Vision HAWK & QX Hawk	\$253	A
99-000058-01	Bracket, Smart Series DOAL-75 mm-to-Vision HAWK & QX Hawk	\$253	A
99-000060-01	Bracket, Smart Series DOAL-100 mm-to-Vision HAWK & QX Hawk	\$253	A
99-000050-01	Bracket, Smart Series Ring-100 mm-to-Vision HAWK & QX Hawk	\$138	A
99-000052-01	Bracket, Smart Series Ring-60/70 mm-to-Vision HAWK & QX Hawk	\$138	A
99-000061-01	Bracket, Smart Series DOAL-50/70/100 mm-to-C-Mount Vision HAWK and QX Hawk	\$253	A
99-000049-01	Bracket, Smart Series Ring-100 mm-to-C-Mount Vision HAWK & QX Hawk	\$138	A
99-000051-01	Bracket, Smart Series Ring-R-60/70-to-C-Mount Vision HAWK & QX Hawk	\$138	A
98-000148-01	Kit, L-Bracket, QX Series	\$45	A

\* Though-hole mounting plate; not for use with mounting arm.

## Optical Accessories, C-Mount

Part Number	Description	List Price	Type
98-92800471	Lens Extension Tube, 5 mm (C-CS Mount Adapter)	\$40	A
98-CO206	Lens Extension Tube Set, 0.5 mm, 1 mm, 5 mm, 10 mm, 20 mm, 40 mm	\$145	A
98-92800571	Lens 8mm F/1.4-16, Front thread 25.5mm P 0.5mm, 2/3" C-mount	\$385	A
98-000257-01*	Lens 12.5 mm F/1.4-close, Front Thread 40.5 mm P 0.5 mm, 1 in. C-Mount	\$415	A
98-000258-01	Lens 16 mm F/1.4-16, Front Thread 27 mm P 0.5 mm, 2/3 in. C-Mount	\$415	A
98-000259-01	Lens 25 mm F/1.4-16, Front Thread 27 mm P 0.5 mm, 2/3 in. C-Mount	\$415	A
98-92800575	Lens, 35 mm F/2.1-22, Front Thread 25.5 mm P 0.5 mm, 2/3 in. C-Mount	\$385	A
98-92800576	Lens, 50 mm F/2.8-22, Front Thread 25.5 mm P 0.5 mm, 2/3 in. C-Mount	\$385	A
98-92800577	Lens, 75 mm F/3.9-32, Front Thread 25.5 mm P 0.5 mm, 2/3 in. C-Mount	\$385	A
98-92800311	Lens, Skylight UV Filter, 25.5 mm	\$75	A
98-92800371	Lens, Polarizing Filter, 25.5 mm, P0.5	\$100	A
98-92800372	Lens, Polarizing Filter, 27 mm, P0.5	\$100	A
98-000218-01	Lens Protection Housing, Standard Length (to 48 mm)	\$338	A
98-000226-01	Lens Protection Housing, Long (to 72 mm)	\$354	A

\* This lens cannot be used in combination with the lens protection housings.

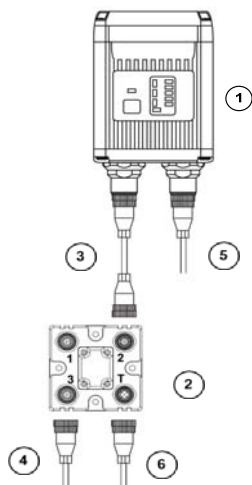
## Software/Manuals

Part Number	Description	List Price	Type
37-000010-01*	Tools Drive, User Documentation, Software	\$30	A

\*One free per order



## Tech Reference *Vision HAWK*



### System Matrix

Item	Part Number	Description	List Price
1	GMV-6800-1XXXG	Vision HAWK Smart Camera	Varies
2	98-000103-02	QX-1 Interface Device	\$195
3	61-000162-02	QX Cordset, Common, M12 12-Pin Socket (Screw-On)-to-M12 12-Pin Plug (Screw-On), 1m.	\$81
4	97-000012-01	Power Supply, 100-240VAC, +24VDC, M12 12-Pin Socket	\$133
5	61-000160-02	QX Cordset, Host, Ethernet, M12 8-Pin Plug (Screw-On)-to-RJ45, 1 m.	\$100
6	99-000020-02	QX Photo Sensor, M12 4-Pin Plug, NPN, Dark On, 2 m.	\$193
	37-000010-01	Tools Drive, User Documentation, Software	\$30

\* Cordsets available in multiple lengths

# MICROSCAN

## Visionscape GigE Solution

### Rapid Application Development

Up to 8 Microscan GigE Cameras  
Consult factory for 3rd party GigE Camera support

### Flexible IO

PC Based discrete IO  
Strobe and Trigger at camera

### Out of Box Experience

Evaluation and Off-Line Programming is license free

### Platforms and Customization

Windows XP and Windows 7  
Microsoft Visual Studio 6 and .NET



2014-2015 YTD Best Sellers
1) GMV-VGL8-1DD1
2) GMV-VGL0-1DD1
3) 98-000222-01
4) 98-000120-01

**\*\*Important Pricing Discount Note\*\*** Product discounts are applied based on the Product TYPE code shown in the TYPE column below.

Product Type codes are defined as: P = PRODUCT Discount, A = ACCESSORY Discount, VP = VISION PRODUCT Discount.

A Product Type code modified with L signifies Legacy Status (refer to Legacy section of this catalog).

Refer to your Partner Agreement for the actual discount percentage by Product Type.

### Visionscape Software

Part Number	Description	List Price	Type
GMV-VGL0-1DD1	VS GigE License Key with Intellifind & DIVs	\$1,995	VP
GMV-VGL8-1DD1	VS GigE License Key with Intellifind DIVs, Eight Third-Party GigE Cameras	\$4,295	VP

### GigE Cameras

Part Number	Description	List Price	Type
98-000115-01	VS GigE Camera, 0.3 MP Mono, CMG03, 656x494 Pixels, CCD	\$960	A
98-000116-01	VS GigE Camera, 0.3 MP Color, CMG03c, 656x494 Pixels, CCD	\$1,200	A
98-000141-01	VS GigE Camera, 0.3 MP, Mono, CMG04, 656x494 Pixels, CCD, 1/2 in. Sensor	\$1,600	A
98-000117-01	VS GigE Camera, 0.8 MP Mono, CMG08, 1032x776 Pixels, CCD	\$1,600	A
98-000267-01	VS GigE Camera, 0.3 MP Mono, CMG04h, 640x480 Pixels, CCD, High Speed	\$3,595	A
98-000220-01	VS GigE Camera, 0.8 MP Color, CMG08c, 1032x776 Pixels, CCD	\$1,600	A
98-000118-01	VS GigE Camera, 1.3 MP Mono, CMG13, 1392x1040 Pixels, CCD	\$2,095	A
98-000221-01	VS GigE Camera, 1.3 MP Color, CMG13c, 1392x1040 Pixels, CCD	\$2,245	A
98-000191-01	VS GigE Camera, 1.4 MP Mono, CMG14, 1392x1040 Pixels, CCD	\$3,650	A
98-000119-01	VS GigE Camera, 2 MP Mono, CMG20, 1624x1236 Pixels, CCD	\$2,595	A
98-000189-01	VS GigE Camera, 2 MP Color, CMG20c, 1624x1236 Pixels, CCD	\$2,895	A
98-000120-01	VS GigE Camera, 5 MP Mono, CMG50, 2448x2050 Pixels, CCD	\$4,495	A
98-000190-01	VS GigE Camera, 5 MP Color, CMG50c, 2448x2050 Pixels, CCD	\$4,995	A
98-000222-01	VS GigE Camera, 5 MP Mono, CMGC50, 2592x1944 Pixels, CMOS	\$1,695	A
98-000230-01	VS GigE Camera, 5 MP Color, CMGC50c, 2592x1944 Pixels, CMOS	\$1,995	A
98-000260-01	VS GigE Camera, 8 MP Mono, CMG80, 3296x2472 Pixels, CCD	\$12,495	A

### Accessories

Part Number	Description	List Price	Type
98-000130-01	VS GigE, PCIe I/O Card, 16 Inputs/16 Outputs, NPN with Cable & Terminal	\$635	A
98-000142-01	VS GigE, PCIe I/O Card, 16 Inputs/16 Outputs, PNP with Cable & Terminal	\$695	A
98-000140-01	Single Port GigE Network Interface Card PCIe	\$110	A
98-000132-01	Dual Port GigE Network Interface Card PCIe	\$350	A
98-000138-01	VS GigE Camera Power Supply, 24V, U.S./Euro/UK	\$105	A
98-000126-01	Visionscape GigE Camera, Trigger & Strobe Cable, M8 4-Pin, 5 m., Open-End Cable	\$85	A
98-000129-01	VS GigE Camera, Power Cable, M8 3-Pin, 5 m., Open-End	\$65	A
98-000133-01	CAT 6 Ethernet Cable Jack Screw-to-RJ45 High Flex 2 m.	\$75	A
98-000134-01	CAT 6 Ethernet Cable Jack Screws-to-RJ45 High Flex 5 m.	\$95	A
98-000139-01**	VS GigE Demo Kit, License Key, CMG03, Power Supply, Cables, Lens	\$4,235	A
98-000199-01*	VS GigE Demo Kit, License Key, Camera Not Included, Power Supply, Cables, Lens	\$3,505	A

\*\* Demo Kit contains Camera. Kit is discounted 25%.

\* This Demo Kit does not contain a camera and is discounted 25%. The separately purchased camera is discounted 30%.

# MICROSCAN

## Optical Accessories, C-Mount

Part Number	Description	List Price	Type
98-92800471	Lens Extension Tube, 5 mm (C-CS Mount Adapter)	\$40	A
98-CO206	Lens Extension Tube Set, 0.5 mm, 1 mm, 5 mm, 10 mm, 20 mm, 40 mm	\$145	A
98-92800571	Lens 8mm F/1.4-16, Front thread 25.5mm P 0.5mm, 2/3" C-mount	\$385	A
98-000257-01	Lens 12.5 mm F/1.4-close, Front Thread 40.5 mm P 0.5 mm, 1 in. C-Mount	\$415	A
98-000258-01	Lens 16 mm F/1.4-16, Front Thread 27 mm P 0.5 mm, 2/3 in. C-Mount	\$415	A
98-000259-01	Lens 25 mm F/1.4-16, Front Thread 27 mm P 0.5 mm, 2/3 in. C-Mount	\$415	A
98-92800575	Lens, 35 mm F/2.1-22, Front Thread 25.5 mm P 0.5 mm, 2/3 in. C-Mount	\$385	A
98-92800576	Lens, 50 mm F/2.8-22, Front Thread 25.5 mm P 0.5 mm, 2/3 in. C-Mount	\$385	A
98-92800577	Lens, 75 mm F/3.9-32, Front Thread 25.5 mm P 0.5 mm, 2/3 in. C-Mount	\$385	A
98-92800311	Lens, Skylight UV Filter, 25.5 mm	\$75	A
98-92800371	Lens, Polarizing Filter, 25.5 mm, P0.5	\$100	A
98-92800372	Lens, Polarizing Filter, 27 mm, P0.5	\$100	A
98-000218-01	Lens Protection Housing, Standard Length (to 48 mm)	\$338	A
98-000226-01	Lens Protection Housing, Long (to 72 mm)	\$354	A

## DOAL Camera Mounting Brackets

Part Number	Description	List Price	Type
99-000062-01	Bracket, Smart Series Ring-60/70 mm-to-GigE Camera	\$162	A
99-000063-01	Bracket, Smart Series DOAL-to-GigE Camera	\$310	A
99-000064-01	Bracket, Smart Series Ring-100 mm-to-GigE Camera	\$170	A

## Software/Manuals

Part Number	Description	List Price	Type
37-000010-01*	Tools Drive, User Documentation, Software	\$30	A

\* 1 free per order.

# MICROSCAN.

## NERLITE® PHARMALITE

**NERLITE® Smart Series Pharma light use MAX Light LEDs and feature an integrated strobe controller for easy integration in industrial applications. It can be mounted easily on the QX HAWK, Vision HAWK, Vision MINI, Mini HAWK and GigE cameras without using an additional bracket**



2014-2015 YTD  
Best Sellers  
98-000228-01

**\*\*Important Pricing Discount Note\*\* Product discounts are applied based on the Product TYPE code shown in the TYPE column below.**

Product Type codes are defined as: P = PRODUCT Discount, A = ACCESSORY Discount, VP = VISION PRODUCT Discount.

A Product Type code modified with L signifies Legacy Status (refer to Legacy section of this catalog).

Refer to your Partner Agreement for the actual discount percentage by Product Type.

### Pharmalite

Part Number	Description	List Price	Type
98-000228-01	Smart Series Pharmalite, 60°, Dark Field, White, M12 Connector	\$1,150	VP

### Power Supply

Part Number	Description	List Price	Type
NER-011504100	DSP60 24VDC 2.5A DIN Mount Power Supply	\$209	A
97-000006-01	DSP100, 24VDC, 4.2A DIN Mount Power Supply	\$260	A

### Power Supply Cordsets

Part Number	Description	List Price	Type
NER-030028300	AC Power Cord for DSPxx Power Supply, U.S.	\$61	A
NER-030028400	AC Power Cord for DSPxx Power Supply, EU	\$61	A
NER-030028500	AC Power Cord for DSPxx Power Supply, UK	\$61	A
61-000186-01	Cable, M12 5-Pin Socket-to-Flying Leads, 3 m.	\$65	A
61-000187-01	Cable, M12 5-Pin Socket-to-Flying Leads, 5 m.	\$75	A
61-000204-01	QX Cordset, Smart Series Light-to-QX-1, Continuous Power	\$204	A
61-000207-01	QX Cordset, Smart Series Light-to-QX-1, Continuous ON/OFF	\$230	A
61-000218-01	QX Cordset, Smart Series Light-to-QX-1, Strobe, NPN	\$130	A

Strobe is available on C-Mount Vision HAWK only

## Tech Reference Pharmalite

### Hardware Required

Item	Description	Part Number
1	Smart Series Pharmalite	98-000228-01
2	Power Supply DSP60 24VDC 2.5A DIN Mount	NER-011504100
2	Power Supply DSP100 24VDC 4.2A DIN Mount	97-000006-01
3	Cable 5 Pin M12 Female To Flying Leads, 3M	61-000186-01
3	Cable 5 Pin M12 Female To Flying Leads, 5M	61-000187-01
4	QX Cordset, Smart Series to QX-1 Continuous	61-000204-01
4	QX Cordset, Smart Series to QX-1, Continuous On/Off	61-000207-01
4	QX Cordset, Smart Series to QX-1 Strobe, NPN	61-000218-01
5	QX-1 Interface Device	98-000103-02

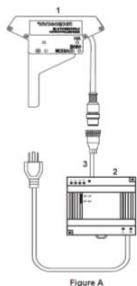


Figure A  
Pharmalite Illuminator  
with power supply

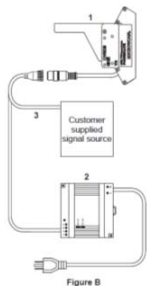


Figure B  
Pharmalite Illuminator  
with customer supplied  
dimming or on/off  
signal source

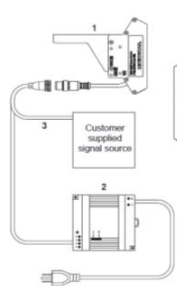


Figure C  
Pharmalite Illuminator  
with customer supplied  
strobe trigger signal source

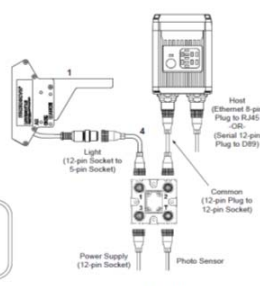


Figure D  
Pharmalite Illuminator with  
QX-1 Interface Device

# MICROSCAN

## NERLITE® SMART DOAL® LIGHTS

NERLITE® Smart Series DOAL lights use MAX Light LEDs and feature an integrated strobe controller for easy integration in industrial applications.



2014-2015 YTD Best Sellers
1) NER-011660500G
2) NER-011660700G

**\*\*Important Pricing Discount Note\*\* Product discounts are applied based on the Product TYPE code shown in the TYPE column below.**

Product Type codes are defined as: P = PRODUCT Discount, A = ACCESSORY Discount, VP = VISION PRODUCT Discount.

A Product Type code modified with L signifies Legacy Status (refer to Legacy section of this catalog).

Refer to your Partner Agreement for the actual discount percentage by Product Type.

25 mm			List Price	Type
Part Number	Description			
NER-011660400G	Smart Series DOAL, 25 mm, Red, M12 Connector		\$500	VP
NER-011660410G	Smart Series DOAL, 25 mm, White, M12 Connector		\$575	VP
NER-011660420G	Smart Series DOAL, 25 mm, Blue, M12 Connector		\$597	VP
NER-011660430G	Smart Series DOAL, 25 mm, Infrared, M12 Connector		\$715	VP
50 mm				
NER-011660500G	Smart Series DOAL, 50 mm, Red, M12 Connector		\$615	VP
NER-011660510G	Smart Series DOAL, 50 mm, White, M12 Connector		\$870	VP
NER-011660520G	Smart Series DOAL, 50 mm, Blue, M12 Connector		\$906	VP
NER-011660530G	Smart Series DOAL, 50 mm, Infrared, M12 Connector		\$975	VP
75 mm				
NER-011660600G	Smart Series DOAL, 75 mm, Red, M12 Connector		\$1,200	VP
NER-011660610G	Smart Series DOAL, 75 mm, White, M12 Connector		\$1,490	VP
NER-011660620G	Smart Series DOAL, 75 mm, Blue, M12 Connector		\$1,490	VP
NER-011660630G	Smart Series DOAL, 75 mm, Infrared, M12 Connector		\$1,550	VP
100 mm				
NER-011660700G	Smart Series DOAL, 100 mm, Red, M12 Connector		\$1,690	VP
NER-011660710G	Smart Series DOAL, 100 mm, White, M12 Connector		\$2,300	VP
NER-011660720G	Smart Series DOAL, 100 mm, Blue, M12 Connector		\$2,300	VP
NER-011660730G	Smart Series DOAL, 100 mm, Infrared, M12 Connector		\$2,400	VP
Power Supply (25mm to 50mm)				
Part Number	Description		List Price	Type
NER-011504100	DSP60 24VDC 2.5A DIN Mount Power Supply		\$209	A
Power Supply (50mm to 100mm)				
97-000006-01	DSP100, 24VDC, 4.2A DIN Mount Power Supply		\$260	A
Power Supply Cordsets and Cables				
Part Number	Description		List Price	Type
NER-030028300	AC Power Cord for DSPxx Power Supply, U.S.		\$61	A
NER-030028400	AC Power Cord for DSPxx Power Supply, EU		\$61	A
NER-030028500	AC Power Cord for DSPxx Power Supply, UK		\$61	A
61-000186-01	Cable, M12 5-Pin Socket-to-Flying Leads, 3 m.		\$65	A
61-000218-01	QX Cordset, Smart Series Light-to-QX-1, Strobe, NPN		\$130	A
61-000207-01	QX Cordset, Smart Series Light-to-QX-1, Continuous ON/OFF		\$230	A
61-000204-01	QX Cordset, Smart Series Light-to-QX-1, Continuous Power		\$204	A
61-000187-01	Cable, M12 5-Pin Socket-to-Flying Leads, 5 m.		\$75	A

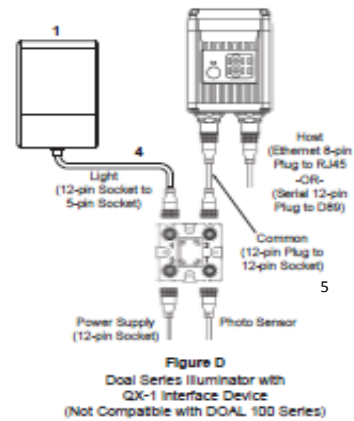
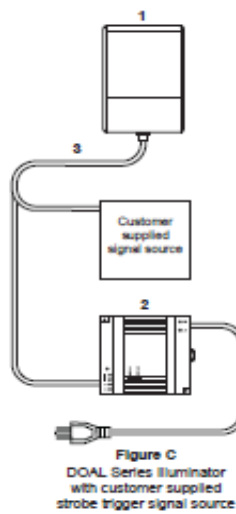
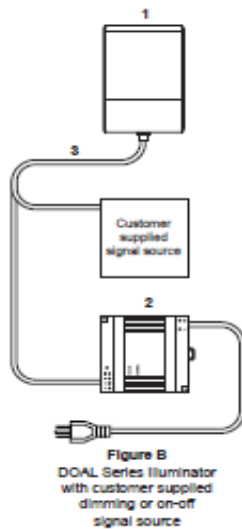
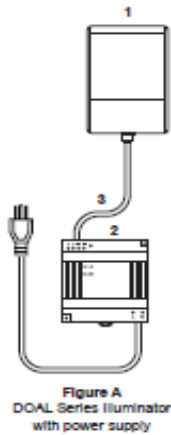
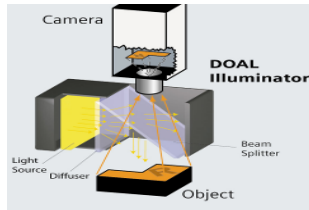
# MICROSCAN

## DOAL Camera Mounting Brackets

Part Number	Description	List Price	Type
99-000055-01	Bracket, Smart Series DOAL-50 mm-to-Vision MINI & MINI Hawk	\$253	A
99-000056-01	Bracket, Smart Series DOAL-50 mm-to-Vision HAWK & QX Hawk	\$253	A
99-000057-01	Bracket, Smart Series DOAL-75 mm-to-Vision MINI & MINI Hawk	\$253	A
99-000058-01	Bracket, Smart Series DOAL-75 mm-to-Vision HAWK & QX Hawk	\$253	A
99-000059-01	Bracket, Smart Series DOAL-100 mm-to-Vision MINI & MINI Hawk	\$253	A
99-000060-01	Bracket, Smart Series DOAL-100 mm-to-Vision HAWK & QX Hawk	\$253	A
99-000061-01	Bracket, Smart Series DOAL-50/70/100 mm-to-C-Mount Vision HAWK and QX Hawk	\$253	A
99-000063-01	Bracket, Smart Series DOAL-to-GigE Camera	\$310	A

## Tech Reference DOAL Lights

Hardware Required		
Item	Description	Part Number
1	Smart Series DOAL Lights	NER-011660XXG
2	Power Supply DSP60 24VDC 2.5A DIN Mount	NER-011504100
2	Power Supply DSP100 24VDC 4.2A DIN Mount	97-000006-01
3	Cable 5 Pin M12 Female To Flying Leads, 3M	61-000186-01
3	Cable 5 Pin M12 Female To Flying Leads, 5M	61-000187-01
4	QX Cordset, Smart Series to QX-1 Continuous	61-000204-01
4	QX Cordset, Smart Series to QX-1, Continuous On/Off	61-000207-01
4	QX Cordset, Smart Series to QX-1 Strobe, NPN	61-000218-01
5	QX-1 Interface Device	98-000103-02



# MICROSCAN

## NERLITE® SMART RING LIGHTS

**NERLITE® Smart Series Ring lights use MAX Light LEDs and feature an integrated strobe controller for easy integration in industrial applications.**



2014-2015 YTD Best Sellers
1) NER-011660810G
2) NER-011661110G

**\*\*Important Pricing Discount Note\*\* Product discounts are applied based on the Product TYPE code shown in the TYPE column below.**

Product Type codes are defined as: P = PRODUCT Discount, A = ACCESSORY Discount, VP = VISION PRODUCT Discount.

A Product Type code modified with L signifies Legacy Status (refer to Legacy section of this catalog).

Refer to your Partner Agreement for the actual discount percentage by Product Type.

60 mm			List Price	Type
Part Number	Description			
NER-011660800G	Smart Series Ring, 60 mm, Red, M12 Connector		\$450	VP
NER-011660810G	Smart Series Ring, 60 mm, White, M12 Connector		\$530	VP
NER-011660820G	Smart Series Ring, 60 mm, Blue, M12 Connector		\$520	VP
NER-011660830G	Smart Series Ring, 60 mm, Infrared, M12 Connector		\$470	VP
NER-011660840G	Smart Series Ring, 60 mm, Ultraviolet, M12 Connector		\$530	VP
70 mm			List Price	Type
Part Number	Description			
NER-011660900G	Smart Series Ring, 70 mm, Red, M12 Connector		\$480	VP
NER-011660910G	Smart Series Ring, 70 mm, White, M12 Connector		\$560	VP
NER-011660920G	Smart Series Ring, 70 mm, Blue, M12 Connector		\$560	VP
NER-011660930G	Smart Series Ring, 70 mm, Infrared, M12 Connector		\$500	VP
NER-011660940G	Smart Series Ring, 70 mm, Ultraviolet, M12 Connector		\$560	VP
100 mm			List Price	Type
Part Number	Description			
NER-011661100G	Smart Series Ring, 100 mm, Red, M12 Connector		\$640	VP
NER-011661110G	Smart Series Ring, 100 mm, White, M12 Connector		\$750	VP
NER-011661120G	Smart Series Ring, 100 mm, Blue, M12 Connector		\$740	VP
NER-011661130G	Smart Series Ring, 100 mm, Infrared, M12 Connector		\$670	VP
NER-011661140G	Smart Series Ring, 100 mm, Ultraviolet, M12 Connector		\$750	VP
Power Supply			List Price	Type
Part Number	Description			
NER-011504100	DSP60 24VDC 2.5A DIN Mount Power Supply		\$209	A
97-000006-01	DSP100, 24VDC, 4.2A DIN Mount Power Supply		\$260	A
Power Supply Cordsets			List Price	Type
Part Number	Description			
NER-030028300	AC Power Cord for DSPxx Power Supply, U.S.		\$61	A
NER-030028400	AC Power Cord for DSPxx Power Supply, EU		\$61	A
NER-030028500	AC Power Cord for DSPxx Power Supply, UK		\$61	A
61-000186-01	Cable, M12 5-Pin Socket-to-Flying Leads, 3 m.		\$65	A
61-000187-01	Cable, M12 5-Pin Socket-to-Flying Leads, 5 m.		\$75	A
61-000218-01	QX Cordset, Smart Series Light-to-QX-1, Strobe, NPN		\$130	A
61-000207-01	QX Cordset, Smart Series Light-to-QX-1, Continuous ON/OFF		\$230	A
61-000204-01	QX Cordset, Smart Series Light-to-QX-1, Continuous Power		\$204	A

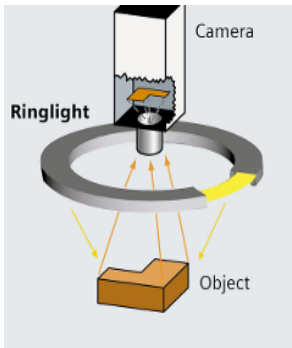
# NERLITE® RING LIGHT ACCESSORIES

Note: For mounting and alternate focused optics use the following

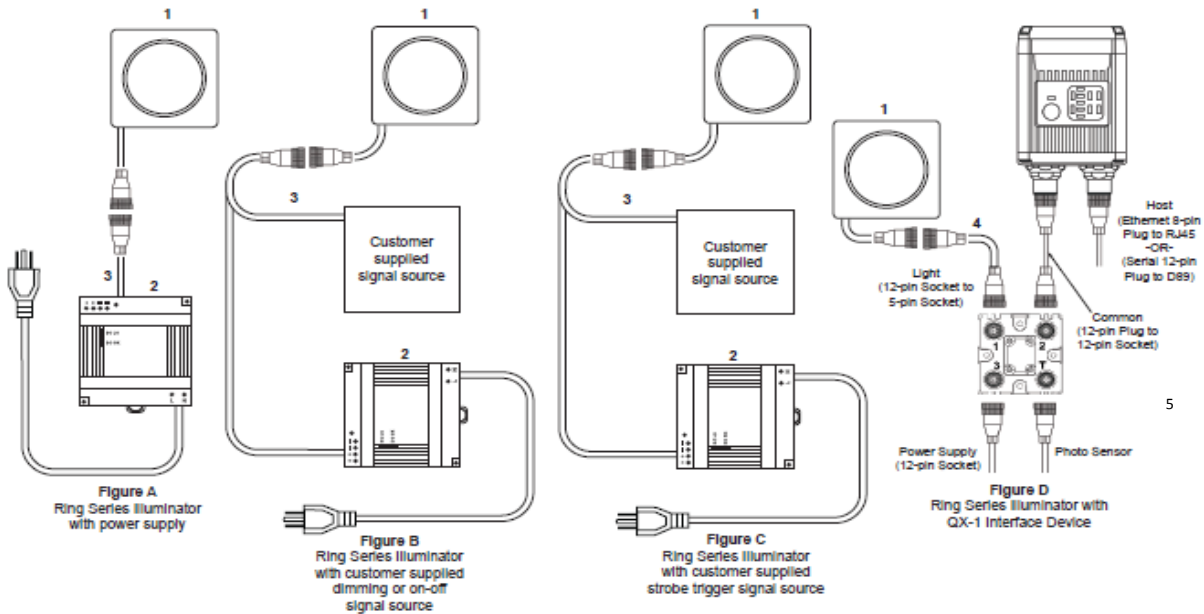
60 mm Mounts and Optics			
Part Number	Description	List Price	Type
99-000026-01	R-60 Focusing Lens, Focal Length = 70 mm	\$150	A
99-000026-02	R-60 Focusing Lens, Focal Length = 102 mm	\$150	A
99-000026-03	R-60 Focusing Lens, Focal Length = 127 mm	\$150	A
99-000025-01	R-60 Lens Adapter, 25.5 mmx0.50 mm	\$65	A
99-000025-02	R-60 Lens Adapter, 27.0 mmx0.50 mm	\$65	A
99-000025-03	R-60 Lens Adapter, 30.5 mmx0.50 mm	\$65	A
99-000025-04	R-60 Lens Adapter, 40.5 mmx0.50 mm	\$65	A
99-000025-05	R-60 Lens Adapter, 46.0 mmx0.75 mm	\$65	A
70 mm Mounts and Optics			
99-000028-01	R-70 Focusing Lens, Focal Length = 70 mm	\$150	A
99-000028-02	R-70 Focusing Lens, Focal Length = 102 mm	\$150	A
99-000028-03	R-70 Focusing Lens, Focal Length = 127 mm	\$150	A
99-000027-01	R-70 Lens Adapter, 25.5 mmx0.50 mm	\$65	A
99-000027-02	R-70 Lens Adapter, 27.0 mmx0.50 mm	\$65	A
99-000027-03	R-70 Lens Adapter, 30.5 mmx0.50 mm	\$65	A
99-000027-04	R-70 Lens Adapter, 40.5 mmx0.50 mm	\$65	A
100 mm Mounts and Optics			
99-000030-01	R-100 Focusing Lens, Focal Length = 70 mm	\$150	A
99-000030-02	R-100 Focusing Lens, Focal Length = 102 mm	\$150	A
99-000030-03	R-100 Focusing Lens, Focal Length = 127 mm	\$150	A
99-000030-04	R-100 Focusing Lens, Focal Length = 152 mm	\$150	A
99-000029-01	R-100 Lens Adapter, 25.5 mmx0.50 mm	\$65	A
99-000029-02	R-100 Lens Adapter, 27.0 mmx0.50 mm	\$65	A
99-000029-03	R-100 Lens Adapter, 30.5 mmx0.50 mm	\$65	A
99-000029-04	R-100 Lens Adapter, 40.5 mmx0.50 mm	\$65	A
Ring Light Camera Mounting Brackets			
Part Number	Description	List Price	Type
99-000050-01	Bracket, Smart Series Ring-100 mm-to-Vision HAWK & QX Hawk	\$138	A
99-000052-01	Bracket, Smart Series Ring-60/70 mm-to-Vision HAWK & QX Hawk	\$138	A
99-000053-01	Bracket, Smart Series Ring-60/70 mm-to-Vision MINI & MINI Hawk	\$138	A
99-000054-01	Bracket, Smart Series Ring-100 mm-to-Vision MINI & MINI Hawk	\$138	A
99-000049-01	Bracket, Smart Series Ring-100 mm-to-C-Mount Vision HAWK & QX Hawk	\$138	A
99-000051-01	Bracket, Smart Series Ring-R-60/70-to-C-Mount Vision HAWK & QX Hawk	\$138	A
99-000062-01	Bracket, Smart Series Ring-60/70 mm-to-GigE Camera	\$162	A
99-000064-01	Bracket, Smart Series Ring-100 mm-to-GigE Camera	\$170	A



## Tech Reference Ring Lights



Hardware Required		
Item	Description	Part Number
1	Smart Series Ring Lights	Various
2	Power Supply DSP60 24VDC 2.5A DIN Mount	NER-011504100
2	Power Supply DSP100 24VDC 4.2A DIN Mount	97-000006-01
3	Cable 5 Pin M12 Female To Flying Leads, 3M	61-000186-01
3	Cable 5 Pin M12 Female To Flying Leads, 5M	61-000187-01
4	QX Cordset, Smart Series to QX-1 Continuous	61-000204-01
4	QX Cordset, Smart Series to QX-1, Continuous On/Off	61-000207-01
4	QX Cordset, Smart Series to QX-1 Strobe, NPN	61-000218-01
5	QX-1 Interface Device	98-000103-02



# MICROSCAN.

## MAX Lights

**MAX lights are designed to provide high intensity illumination over a large area. MAX lights have an industrial design with IP67 enclosure and built in controller.**



2014-2015 YTD Best Sellers
1) NER-011660211G
2) NER-011660311G

**\*\*Important Pricing Discount Note\*\* Product discounts are applied based on the Product TYPE code shown in the TYPE column below.**

Product Type codes are defined as: P = PRODUCT Discount, A = ACCESSORY Discount, VP = VISION PRODUCT Discount.

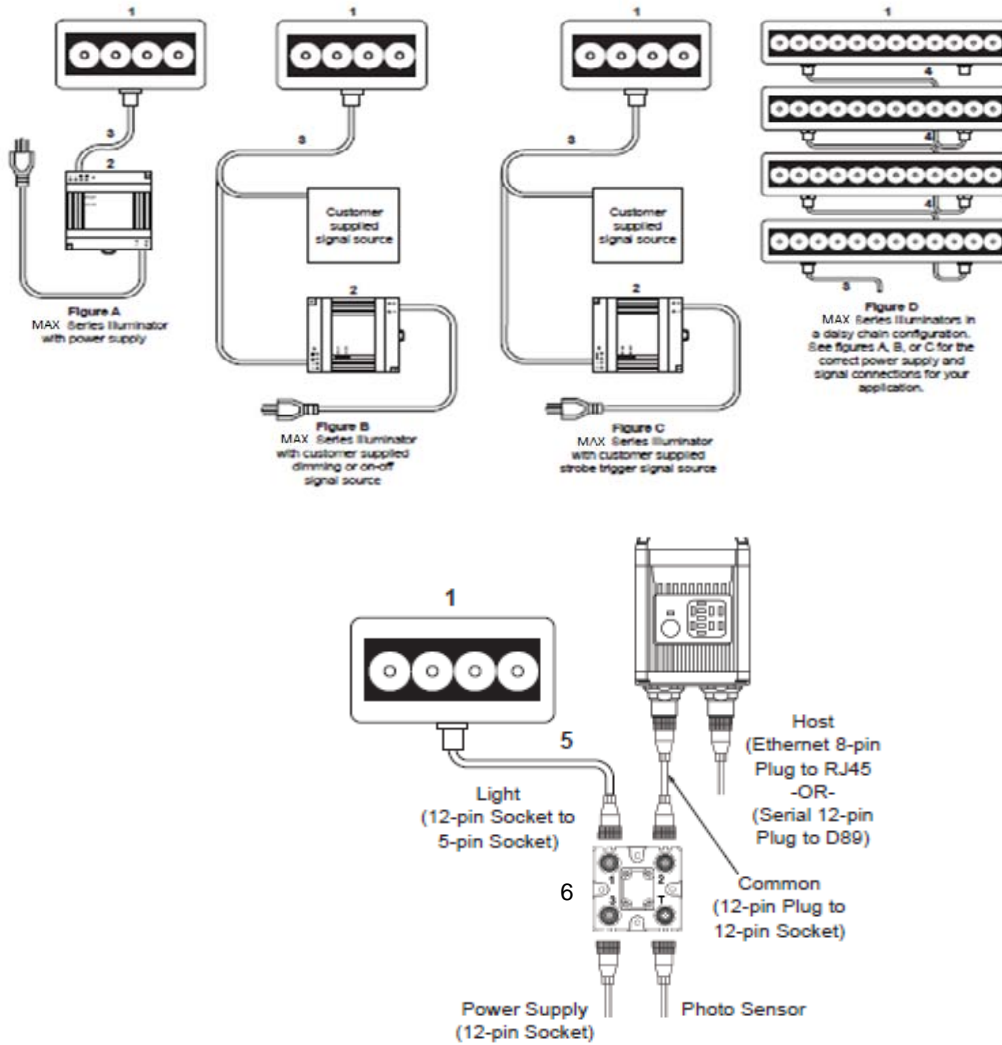
A Product Type code modified with L signifies Legacy Status (refer to Legacy section of this catalog).

Refer to your Partner Agreement for the actual discount percentage by Product Type.

MAX 300 mm			List Price	Type
Part Number	Description			
NER-011660300G	Smart Series MAX Narrow, 300 mm, Red, M12 Connector		\$900	VP
NER-011660310G	Smart Series MAX Narrow, 300 mm, White, M12 Connector		\$950	VP
NER-011660301G	Smart Series MAX Wide, 300 mm, Red, M12 Connector		\$900	VP
NER-011660311G	Smart Series MAX Wide, 300 mm, White, M12 Connector		\$950	VP
MAX 100 mm				
NER-011660200G	Smart Series MAX Narrow, 100 mm, Red, M12 Connector		\$700	VP
NER-011660210G	Smart Series MAX Narrow, 100 mm, White, M12 Connector		\$750	VP
NER-011660201G	Smart Series MAX Wide, 100 mm, Red, M12 Connector		\$700	VP
NER-011660211G	Smart Series MAX Wide, 100 mm, White, M12 Connector		\$750	VP
MAX 45 mm				
NER-011660100G	Smart Series MAX Narrow, 45 mm, Red, M12 Connector		\$400	VP
NER-011660110G	Smart Series MAX Narrow, 45 mm, White, M12 Connector		\$450	VP
NER-011660101G	Smart Series MAX Wide, 45 mm, Red, M12 Connector		\$400	VP
NER-011660111G	Smart Series MAX Wide, 45 mm, White, M12 Connector		\$450	VP
MAX Cables (Not included with light)				
Part Number	Description		List Price	Type
61-000184-01	Cable, M12 5-Pin Plug-to-M12 5-Pin Socket, 1 m., Shielded (for Daisy Chain)		\$65	A
61-000185-01	Cable, M12 5-Pin Plug-to-M12 5-Pin Socket, 3 m., Shielded (for Daisy Chain)		\$75	A
61-000204-01	QX Cordset, Smart Series Light-to-QX-1, Continuous Power		\$204	A
61-000218-01	QX Cordset, Smart Series Light-to-QX-1, Strobe, NPN		\$130	A
61-000207-01	QX Cordset, Smart Series Light-to-QX-1, Continuous ON/OFF		\$230	A
61-000186-01	Cable, M12 5-Pin Socket-to-Flying Leads, 3 m.		\$65	A
61-000187-01	Cable, M12 5-Pin Socket-to-Flying Leads, 5 m.		\$75	A
Power Supply				
Part Number	Description		List Price	Type
NER-011504100	DSP60 24VDC 2.5A DIN Mount Power Supply		\$209	A
97-000006-01	DSP100, 24VDC, 4.2A DIN Mount Power Supply		\$260	A
Power Supply Cordsets				
Part Number	Description		List Price	Type
NER-030028300	AC Power Cord for DSPxx Power Supply, U.S.		\$61	A
NER-030028400	AC Power Cord for DSPxx Power Supply, EU		\$61	A
NER-030028500	AC Power Cord for DSPxx Power Supply, UK		\$61	A
Camera Mounting Brackets				
Part Number	Description		List Price	Type
98-000268-01	Accessory, Bracket, MAX 300 Smart Light-to-C-Mount Vision HAWK & QX Hawk		\$595	A

## Tech Reference *MAX Lights*

Hardware Required		
Item	Description	Part Number
1	Smart Series MAX Light	NER-011660XXG
2	Power Supply DSP60 24VDC 2.5A DIN Mount	NER-011504100
2	Power Supply DSP100 24VDC 4.2A DIN Mount	97-000006-01
3	Cable 5 Pin M12 Female To Flying Leads, 3M	61-000186-01
3	Cable 5 Pin M12 Female To Flying Leads, 5M	61-000187-01
4	Cable, 5P M12 Male to 5P M12 Female, 1M	61-000184-01
4	Cable, 5P M12 Male to 5P M12 Female, 3M	61-000185-01
5	QX Cordset, Smart Series to QX-1 Continuous	61-000204-01
5	QX Cordset, Smart Series to QX-1, Continuous On/Off	61-000207-01
5	QX Cordset, Smart Series to QX-1 Strobe, NPN	61-000218-01
6	QX-1 Interface Device	98-000103-02



# MICROSCAN.

## AREA ARRAYS

Area Arrays are designed for non-specular surface lighting in applications that demand economical solutions.

2014-2015 YTD Best Sellers
1) NER-011652115
2) NER-011904201



**\*\*Important Pricing Discount Note\*\*** Product discounts are applied based on the Product TYPE code shown in the TYPE column below.

Product Type codes are defined as: P = PRODUCT Discount, A = ACCESSORY Discount, VP = VISION PRODUCT Discount.

A Product Type code modified with L signifies Legacy Status (refer to Legacy section of this catalog).

Refer to your Partner Agreement for the actual discount percentage by Product Type.

Area Arrays 50X50 Continuous		List Price	Type
NER-011652115	NERLITE AR-50x50-HO, Red, Non-Diffuse, Array, 24V Continuous, Open-End Cable	\$387	VP
NER-011652114	NERLITE AR-50x50-HO, White, Non-Diffuse, Array, 24V Continuous, Open-End Cable	\$504	VP
NER-011652138	NERLITE AR-50x50-HO, Ultraviolet, Array, 24V Continuous, Open-End Cable	\$504	VP
Area Arrays 75X75 Continuous			
NER-011903401	NERLITE AR-75x75-HO, Red, Array, 24V Continuous, Open-End Cable	\$581	VP
NER-011903502	NERLITE AR-75x75-HO, White, Array, 24V Continuous, Open-End Cable	\$900	VP
NER-011652181	NERLITE AR-75x75-HO, Ultraviolet, Array, 24V Continuous, Open-End Cable	\$900	VP
Area Arrays 100X100 Continuous			
NER-011904101	NERLITE AR-100x100-HO, Red, Array, 24V Continuous, Open-End Cable	\$945	VP
NER-011904201	NERLITE AR-100x100-HO, White, Array, 24V Continuous, Open-End Cable	\$1,305	VP
Area Arrays 50X200 Continuous			
NER-011650005	NERLITE AR-50x200-HO, Red, Non-Diffuse, Array, 24V Continuous, Open-End Cable	\$990	VP
NER-011650012	NERLITE AR-50x200-HO, White, Non-Diffuse, Array, 24V Continuous, Open-End Cable	\$1,765	VP
Power Supply/Controllers			
NER-011504100	DSP60 24VDC 2.5A DIN Mount Power Supply	\$209	A
98-000152-01*	NL-200 Lighting Controller (Front Panel Control Only)	\$883	A
98-000152-02*	NL-220 Lighting Controller (Ethernet Control Only)	\$1,271	A
98-000152-03*	NL-220F Lighting Controller (Ethernet Control Only with Fast Strobe Capability)	\$1,621	A
Power Supply Cordsets			
030-028300	AC Power Cord for DSPxx Power Supply, U.S.	\$61	A
030-028400	AC Power Cord for DSPxx Power Supply, EU	\$61	A
030-028500	AC Power Cord for DSPxx Power Supply, UK	\$61	A

\*Note: Can be used to control intensity of continuous lights

### Tech Reference Arrays

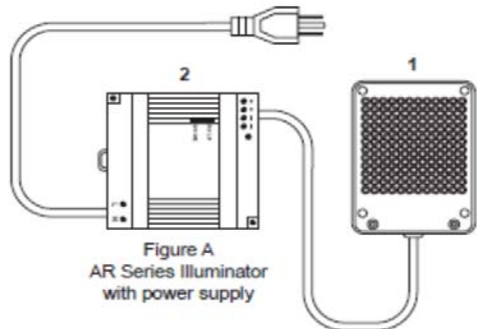
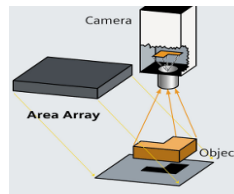


Figure A  
AR Series Illuminator  
with power supply

### Hardware Required

Item	Description	Part Number
1	AR Series Illuminators	NER-011XXXXXX
2	Power Supply DSP60 24VDC 2.5A DIN Mount	NER-011504100

## NERLITE® BACKLIGHTS with "Edge to Edge" Lighting

*Backlights provide sharp contrast to outline a parts shape, hide clear housings, and view openings such as drilled holes.*



2014-2015 YTD Best Sellers
1) NER-011659510G
2) NER-011659300G

**\*\*Important Pricing Discount Note\*\*** Product discounts are applied based on the Product TYPE code shown in the TYPE column below.

Product Type codes are defined as: P = PRODUCT Discount, A = ACCESSORY Discount, VP = VISION PRODUCT Discount.

A Product Type code modified with L signifies Legacy Status (refer to Legacy section of this catalog).

Refer to your Partner Agreement for the actual discount percentage by Product Type.

**Note: For basic applications continuous lights only require a light + power supply**

Backlights 47X59 Continuous			
Part Number	Description	List Price	Type
NER-011659300G	NERLITE 47x59 mm, Red, Backlight, 24V Continuous, 150 mm, Cable M12	\$565	VP
NER-011659310G	NERLITE 47x59 mm, White, Backlight, 24V Continuous, 150 mm, Cable M12	\$715	VP
NER-011659320G	NERLITE 47x59 mm, Blue, Backlight, 24V Continuous, 150 mm, Cable M12	\$715	VP
NER-011659340G	NERLITE 47x59 mm, Infrared, Backlight, 24V Continuous, 150 mm, Cable M12	\$565	VP
Backlights 71X88 Continuous			
NER-011659400G	NERLITE 71x88 mm, Red, Backlight, 24V Continuous, 150 mm, Cable M12	\$655	VP
NER-011659410G	NERLITE 71x88 mm, White, Backlight, 24V Continuous, 150 mm, Cable M12	\$810	VP
NER-011659420G	NERLITE 71x88 mm, Blue, Backlight, 24V Continuous, 150 mm, Cable M12	\$810	VP
NER-011659440G	NERLITE 71x88 mm, Infrared, Backlight, 24V Continuous, 150 mm, Cable M12	\$655	VP
Backlights 100X100 Continuous			
NER-011659500G	NERLITE 100x100 mm, Red, Backlight, 24V Continuous, 150 mm, Cable M12	\$700	VP
NER-011659510G	NERLITE 100x100 mm, White, Backlight, 24V Continuous, 150 mm, Cable M12	\$900	VP
NER-011659520G	NERLITE 100x100 mm, Blue, Backlight, 24V Continuous, 150 mm, Cable M12	\$900	VP
NER-011659540G	NERLITE 100x100 mm, Infrared, Backlight, 24V Continuous, 150 mm, Cable M12	\$700	VP
Backlights 50X200 Continuous			
NER-011659600G	NERLITE 50x200 mm, Red, Backlight, 24V Continuous, 150 mm, Cable M12	\$700	VP
NER-011659610G	NERLITE 50x200 mm, White, Backlight, 24V Continuous, 150 mm, Cable M12	\$900	VP
NER-011659620G	NERLITE 50x200 mm, Blue, Backlight, 24V Continuous, 150 mm, Cable M12	\$900	VP
NER-011659640G	NERLITE 50x200 mm, Infrared, Backlight, 24V Continuous, 150 mm, Cable M12	\$700	VP
Power Supply Backlights Continuous			
NER-011504100	DSP60 24VDC 2.5A DIN Mount Power Supply	\$209	A
Power Supply Cordsets			
NER-030028300	AC Power Cord for DSPxx Power Supply, U.S.	\$61	A
NER-030028400	AC Power Cord for DSPxx Power Supply, EU	\$61	A
NER-030028500	AC Power Cord for DSPxx Power Supply, UK	\$61	A
Backlight Accessories			
NER-030029100	Cable, NERLITE, 4.5M, M12 5-Pin-to-Open-End Cable	\$55	A

# MICROSCAN

Note: For high speed or high intensity applications strobed lights require a light + controller + power supply

## Backlights 47X59 Strobed

Part Number	Description	List Price	Type
NER-011659301G	NERLITE 47x59 mm, Red, Backlight, Current Control, 150 mm, Cable M12	\$565	VP
NER-011659311G	NERLITE 47x59 mm, White, Backlight, Current Control, 150 mm, Cable M12	\$715	VP
NER-011659321G	NERLITE 47x59 mm, Blue, Backlight, Current Control, 150 mm, Cable M12	\$715	VP
NER-011659341G	NERLITE 47x59 mm, Infrared, Backlight, Current Control, 150 mm, Cable M12	\$565	VP

## Backlights 71X88 Strobed

NER-011659401G	NERLITE 71x88 mm, Red, Backlight, Current Control, 150 mm, Cable M12	\$655	VP
NER-011659411G	NERLITE 71x88 mm, White, Backlight, Current Control, 150 mm, Cable M12	\$810	VP
NER-011659421G	NERLITE 71x88 mm, Blue, Backlight, Current Control, 150 mm, Cable M12	\$810	VP
NER-011659441G	NERLITE 71x88 mm, Infrared, Backlight, Current Control, 150 mm, Cable M12	\$655	VP

## Backlights 100X100 Strobed

NER-011659501G	NERLITE 100x100 mm, Red, Backlight, Current Control, 150 mm, Cable M12	\$700	VP
NER-011659511G	NERLITE 100x100 mm, White, Backlight, Current Control, 150 mm, Cable M12	\$900	VP
NER-011659521G	NERLITE 100x100 mm, Blue, Backlight, Current Control, 150 mm, Cable M12	\$900	VP
NER-011659541G	NERLITE 100x100 mm, Infrared, Backlight, Current Control, 150 mm, Cable M12	\$700	VP

## Backlights 50X200 Strobed

NER-011659601G	NERLITE 50x200 mm, Red, Backlight, Current Control, 150 mm, Cable M12	\$700	VP
NER-011659611G	NERLITE 50x200 mm, White, Backlight, Current Control, 150 mm, Cable M12	\$900	VP
NER-011659621G	NERLITE 50x200 mm, Blue, Backlight, Current Control, 150 mm, Cable M12	\$900	VP
NER-011659641G	NERLITE 50x200 mm, Infrared, Backlight, Current Control, 150 mm, Cable M12	\$700	VP

## Power Supply/Controllers

NER-011504100	DSP60 24VDC 2.5A DIN Mount Power Supply	\$209	A
98-000152-01*	NL-200 Lighting Controller (Front Panel Control Only)	\$883	A
98-000152-02*	NL-220 Lighting Controller (Ethernet Control Only)	\$1,271	A
98-000152-03*	NL-220F Lighting Controller (Ethernet Control Only with Fast Strobe Capability)	\$1,621	A

\*Note: Can also be used to control intensity of continuous lights

## Power Supply Cordsets

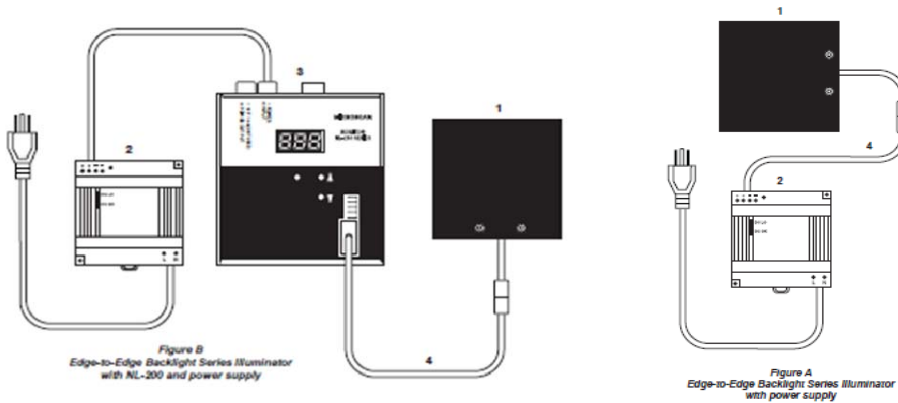
030-028300	AC Power Cord for DSPxx Power Supply, U.S.	\$61	A
030-028400	AC Power Cord for DSPxx Power Supply, EU	\$61	A
030-028500	AC Power Cord for DSPxx Power Supply, UK	\$61	A

## Backlight Accessories

NER-030029100	Cable, NERLITE, 4.5M, M12 5-Pin-to-Open-End Cable	\$55	A
---------------	---	------	---

## Tech Reference Backlights

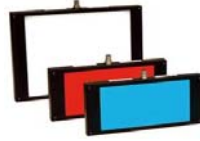
Part Number	Description	Item
NER-011659XXXG	Edge to Edge Backlight Series	1
NER-011504100	DSP60 24VDC 2.5A DIN Mount Power Supply	2
98-000152-0X	NL200 Lighting Controller	3
NER-030029100	Cable, NERLITE, 4.5M, M12 5-Pin-to-Open-End Cable	4



# MICROSCAN

## NERLITE® LARGE BACKLIGHTS

Backlights provide sharp contrast to outline a parts shape, hide clear housings, and view openings such as drilled holes.



Note: For all applications large backlights require a light + controller + power supply

Backlights 100X200 Continuous/Strobed			List Price	Type
Part Number	Description			
NER-011659700G	NERLITE 100x200 mm, Red, Backlight Current Control, M12 Connector		\$1,205	VP
NER-011659710G	NERLITE 100x200 mm, White, Backlight Current Control, M12 Connector		\$1,305	VP
NER-011659720G	NERLITE 100x200 mm, Blue, Backlight Current Control, M12 Connector		\$1,305	VP
NER-011659740G	NERLITE 100x200 mm, Infrared, Backlight Current Control, M12 Connector		\$1,205	VP
Backlights 150X200 Continuous/Strobed				
NER-011659800G	NERLITE 150x200 mm, Red, Backlight, Current Control, M12 Connector		\$1,325	VP
NER-011659810G	NERLITE 150x200 mm, White, Backlight, Current Control, M12 Connector		\$1,425	VP
NER-011659820G	NERLITE 150x200 mm, Blue, Backlight, Current Control, M12 Connector		\$1,425	VP
NER-011659840G	NERLITE 150x200 mm, Infrared, Backlight, Current Control, M12 Connector		\$1,325	VP
Backlights 200X250 & 150X200 IR Continuous/Strobed				
NER-011659900G	NERLITE 200x250 mm, Red, Backlight, Current Control, M12 Connector		\$1,595	VP
NER-011659910G	NERLITE 200x250 mm, White, Backlight, Current Control, M12 Connector		\$1,695	VP
NER-011659920G	NERLITE 200x250 mm, Blue, Backlight, Current Control, M12 Connector		\$1,695	VP
NER-011659940G	NERLITE 200x250 mm, Infrared, Backlight, Current Control, M12 Connector		\$1,595	VP
Power Supply/Controllers				
NER-011504100	DSP60 24VDC 2.5A DIN Mount Power Supply		\$209	A
98-000152-01*	NL-200 Lighting Controller (Front Panel Control Only)		\$883	A
98-000152-02*	NL-220 Lighting Controller (Ethernet Control Only)		\$1,271	A
98-000152-03*	NL-220F Lighting Controller (Ethernet Control Only with Fast Strobe Capability)		\$1,621	A
Power Supply Cordsets				
030-028300	AC Power Cord for DSPxx Power Supply, U.S.		\$61	A
030-028400	AC Power Cord for DSPxx Power Supply, EU		\$61	A
030-028500	AC Power Cord for DSPxx Power Supply, UK		\$61	A
Backlight Accessories				
NER-030029100	Cable, NERLITE, 4.5M, M12 5-Pin-to-Open-End Cable		\$55	A

### Tech Reference Backlights

Part Number	Description	Item
NER-011659XXXG	Large Backlight	1
NER-011504100	DSP60 24VDC 2.5A DIN Mount Power Supply	2
98-000152-0X	NL200 Lighting Controller	3
NER-030029100	Cable, NERLITE, 4.5M, M12 5-Pin-to-Open-End Cable	4

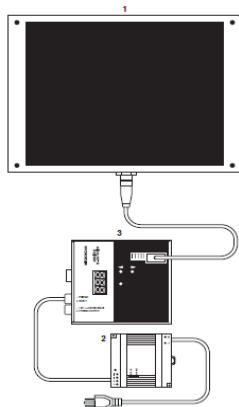


Figure A  
Large Backlight Setup Illuminator  
with NL-200 Controller and power supply

## NERLITE® DARKFIELD LIGHTS

NERLITE Darkfield Lights enhance the contrast of surface features (e.g. embossed or engraved marks).



2014-2015 YTD Best Sellers
1) NER-011609311
2) NER-011601521

**\*\*Important Pricing Discount Note\*\*** Product discounts are applied based on the Product TYPE code shown in the TYPE column below.

Product Type codes are defined as: P = PRODUCT Discount, A = ACCESSORY Discount, VP = VISION PRODUCT Discount.

A Product Type code modified with L signifies Legacy Status (refer to Legacy section of this catalog).

Refer to your Partner Agreement for the actual discount percentage by Product Type.

Darkfield 50 Continuous			
Part Number	Description	List Price	Type
NER-011609311	NERLITE DF-50, Red, Non-Diffuse, Dark Field, 24V Continuous, Open-End Cable	\$495	VP
NER-011609321	NERLITE DF-50, White, Non-Diffuse, Dark Field, 24V Continuous, Open-End Cable	\$567	VP
Darkfield 100 Continuous			
NER-011601520	NERLITE DF-100-1, Red, Non-Diffuse, Dark Field, 24V Continuous, Open-End Cable	\$563	VP
NER-011601521	NERLITE DF-100-1, Red, Diffuse, Dark Field, 24V Continuous, Open-End Cable	\$563	VP
Darkfield 150 Continuous			
NER-011600020	NERLITE DF-150-1, Red, Non-Diffuse, Dark Field, 24V Continuous, Open-End Cable	\$801	VP
NER-011600031	NERLITE DF-150-1, White, Non-Diffuse, Dark Field, 24V Continuous, Open-End Cable	\$801	VP
NER-011600021	NERLITE DF-150-1, Red, Diffuse, Dark Field, 24V Continuous, Open-End Cable	\$801	VP
NER-011600041	NERLITE DF-150-1, White, Diffuse, Dark Field, 24V Continuous, Open-End Cable	\$801	VP
NER-011600208	NERLITE DF-150-3, Red, Non-Diffuse, Dark Field, 24V Continuous, Open-End Cable	\$1,100	VP
NER-011600206	NERLITE DF-150-3, White, Non-Diffuse, Dark Field, 24V Continuous, Open-End Cable	\$1,400	VP
Darkfield 200 Continuous			
NER-011603300	NERLITE DF-200-1, Red, Diffuse, Dark Field, 24V Continuous, Open-End Cable	\$1,600	VP
Power Supply Darkfields Continuous			
Part Number	Description	List Price	Type
NER-011504100	DSP60 24VDC 2.5A DIN Mount Power Supply	\$209	A
Power Supply Cordsets			
Part Number	Description	List Price	Type
NER-030028300	AC Power Cord for DSPxx Power Supply, U.S.	\$61	A
NER-030028400	AC Power Cord for DSPxx Power Supply, EU	\$61	A
NER-030028500	AC Power Cord for DSPxx Power Supply, UK	\$61	A

### Tech Reference Dark Field Lights

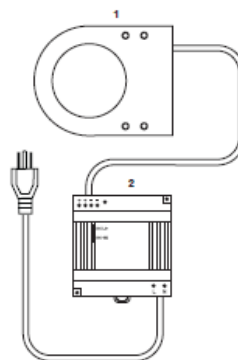
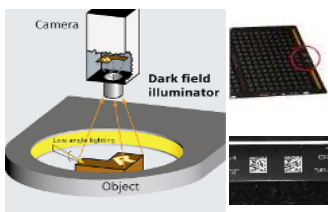


Figure A  
Dark Field Series Illuminator  
with power supply

### Hardware Required

Item	Description	Part Number
1	DF Series Illuminators	NER-01160XXXX
2	Power Supply DSP60 24VDC 2.5A DIN Mount	NER-011504100



# MICROSCAN.

## Product Demonstration Kits



For flexibility, many Microscan Demonstration Kits do not contain scanners, readers or cameras. These are indicated by \* in the part number listing below and require a separate purchase of the desired reader or camera:

Demo Kits - Scanner / Camera Not Included*		
Part Number	Description	List Price
98-000102-01	Demo Kit, QX-830/QX-870	\$595
98-000090-03	Demo Kit, MS-890	\$595
98-000086-02	Demo Kit, MINI Hawk	\$655
98-000149-01	Demo Kit, QX Hawk	\$595
98-000095-02	Demo Kit, MS-Connect 210	\$895
98-000215-01	Demo Kit, AV, Supports Vision MINI & Vision HAWK (Cameras Not Included)	\$595
98-000216-01	NERLITE Smart Series Demo Kit (Lights Not Included)	\$499
98-000199-01*	VS GigE Demo Kit, License Key, Camera Not Included, Power Supply, Cables, Lens	\$3,505

\* These kits are discounted 25% and require purchase of separate reader discounted 60%. Please visit the relevant product page.

\* GigE cameras purchased in conjunction with a GigE Demo Kit are discounted 30%.

Demo Kits - Scanner / Camera Included**		
Part Number	Description	List Price
98-000097-02	MS-1 Demo Kit (Contains One HD MS-1 & One LD MS-1)	\$295
98-000139-01	VS GigE Demo Kit, License Key, CMG03, Power Supply, Cables, Lens	\$4,235
98-000207-01	NERLITE Starter Kit (Lights Not Included)	\$300
98-000224-01	MS-2D Demo Kit, USB	\$599
98-000224-02	MS-2D Demo Kit, Serial	\$599
98-000264-01	Demo Kit, HS-21 & HS-41X, USB, 2 6 ft. Strt. USB Cables, 1 8 ft. Serial Cable	\$1,200

\*\* No separate reader purchase required. These kits are discounted 25%.

NOTE: Demo kit is not available for Mobile Hawk. A reader, specifically purchased as a demo unit will be discounted 50%.

## MicroHAWK Demo Kit

# MICRO HAWK



### MicroHAWK Demo Kit Contents:

3 Scanners with X-Mode:

ID-20: 0.3MP, Std Density Lens, Fixed Focus @4", 400MHz

•P/N: 7211-1102-0005

ID-30: 0.3MP, High Density Lens, Fixed Focus@4" , 800MHz, Red LED

• P/N: 7311-2102-1005

ID-40: 1.2MP, High Density Lens, Fixed Focus @4", 800MHz, Red LED

•P/N: 7412-2102-1005

Cables: Micro-USB, PWR-Serial I/O, Ethernet

Power Supply, Symbol Card, Setup Guide

Demo Kits - MicroHAWK		
Part Number	Description	List Price
98-9000039-01	MICROHAWK DEMO KIT	\$1,495

Software/Manuals		
Part Number	Description	List Price
37-000010-01*	Tools Drive, User Documentation, Software	\$30

\* 1 free per order.

Prices and specifications subject to change.

No minimum order on the Order Management System.

\$10K minimum order for manually submitted orders.

Confidential Document

07-000001-01 Rev AM

Page 97 of 102

www.microscan.com

# MICROSCAN.

## Service Price List

Repair or replace list prices, representative part number shown. Accessory discounts apply.

### Auto ID Barcode Readers

Part Number	Description	List Price
FIS-8001-XXXX	MS-1 Repair not available	N/A
FIS-0002-XXXX	MS-2 Repair	\$200
FIS-0003-XXXX	MS-3 Repair	\$450
FIS-0710-XXXX	MS-710 Repair	\$450
FIS-0911-XXXX	MS-9 Repair	\$500
FIS-0820-XXXX	MS-820 Repair	\$500
FIS-0830-XXXX	QX-830 Repair	\$550
FIS-0870-XXXX	QX 870 Repair	\$650
FIS-0890-XXXX	MS-890 Repair	\$650
FIS-0210-XXXX	MS-210 Repair	\$500

### Auto ID 2D Readers and Verifiers

Part Number	Description	List Price
FIS-MS-2D-XXXX	MS-2D Repair not available	N/A
FIS-0004-XXXX	MS-4, MS-4X, MS-4Xi Repair	\$550
FIS-6300-XXXX	MINI or MINI Xi Repair	\$550
FIS-6700-XXXX	Quadrus EZ Repair	\$600
FIS-HE15-XXXX	Hawkeye 1500 Series Repair	\$600
FIS-6800 or 6801-XXXX	QX Hawk Repair	\$600
FIS-6700-XXXX	Quadrus Verifier Recertification	\$600
FIS-UD20-XXXX	LDP Verifier Repair	\$950
FIS-UD10-XXXX	DPM Verifier Repair	\$950

### Auto ID Handhelds

Part Number	Description	List Price
98-000106 or 107-XX	HS-1 & HS-2D Repair not available	N/A
FIS-HS21-XXXX	HS-21 Repair	\$285
FIS-HS41X-XXXX	HS-41X Repair	\$485
FIS-HS50X-XXXX	HS-50X Repair	\$550
FIS-HS51X-XXXX	HS-51X Repair	\$550
FIS-6150-XXXX	MS-Q, MS-Q Quadrus, and HE40T Repair	\$450
FIS-HT45-XXXX	HE45T Repair	\$500
FIS-6170-XXXX	Mobile Hawk Repair	\$550

### Machine Vision

Part Number	Description	List Price
GMV-1HT16-XXXX	Visionscape Smart Camera (VS-1) Repair	\$675
GMV-VS74-XXXX	Visionscape Framegrabber Board Repair/Replace (eg. VS740)	\$3,000
GMV-6300-XXXX	Vision MINI and Vision MINI (Xi) Smart Camera Repair	\$600
GMV-6800-XXXX	Vision HAWK Smart Camera Repair	\$650

### NER Lighting

Microscan does not repair NERLITE products. Replacements can be purchased at a 60% discount for failed lights out of warranty. Please contact Microscan service for details.

## Legacy Products

**Note: These products are not recommended for new applications, but are still actively shipping and supported.**

**\*\*Important Pricing Discount Note\*\* Product discounts are applied based on the Product TYPE code shown in the TYPE column below.**

Product Type codes are defined as: P = PRODUCT Discount, A = ACCESSORY Discount, VP = VISION PRODUCT Discount.

A Product Type code modified with L signifies Legacy Status (refer to Legacy section of this catalog).

Refer to your Partner Agreement for the actual discount percentage by Product Type.



### MS-4 Ultra-Compact Barcode Imagers

Part Number	Description	List Price	Type
FIS-0004-0001G	MS-4 Imager, SD, RS-232, 5VDC	\$1,095	LP
FIS-0004-0002G	MS-4 Imager, LD, RS-232, 5VDC	\$1,095	LP
FIS-0004-0003G	MS-4 Imager, SD, USB	\$1,095	LP
FIS-0004-0004G	MS-4 Imager, LD, USB	\$1,095	LP

USB cable terminated with USB type A connector.



### MS-4X Ultra-Compact DPM Imagers

Part Number	Description	List Price	Type
FIS-0004-2001G	MS-4X Imager, SD, X-Mode, RS-232, 5VDC	\$1,295	LP
FIS-0004-2002G	MS-4X Imager, LD, X-Mode, RS-232, 5VDC	\$1,295	LP
FIS-0004-2003G	MS-4X Imager, SD, X-Mode, USB, 5VDC	\$1,295	LP
FIS-0004-2004G	MS-4X Imager, LD, X-Mode, USB, 5VDC	\$1,295	LP
FIS-0004-2005G	MS-4X Imager, 2D, SD, DPM, X-Mode, USB with I/O, 5VDC	\$1,295	LP
FIS-0004-2006G	MS-4X Imager, 2D, LD, DPM, X-Mode, USB with I/O, 5VDC	\$1,295	LP

USB cable terminated with USB type A connector.



### MS-4Xi Ultra-Compact Ethernet Imagers

Part Number	Description	List Price	Type
FIS-1004-1210G	MS-4Xi Imager, SD, Ethernet, 24VDC	\$1,595	LP
FIS-1004-1110G	MS-4Xi Imager, LD, Ethernet, 24VDC	\$1,595	LP



### Scanners MS-3 Standard

Part Number	Description	List Price	Type
FIS-0003-0009G	MS-3 Laser Scanner, Single Line, LD, 6 in. Cable	\$985	LP
FIS-0003-0010G	MS-3 Laser Scanner, Single Line, HD, 6 in. Cable	\$985	LP
FIS-0003-0011G	MS-3 Laser Scanner, Raster, LD, 6 in. Cable	\$1,040	LP
FIS-0003-0012G	MS-3 Laser Scanner, Raster, HD, 6 in. Cable	\$1,040	LP
FIS-0003-0013G	MS-3 Laser Scanner, Single Line, LD, Right Angle, 6 in. Cable	\$1,105	LP
FIS-0003-0014G	MS-3 Laser Scanner, Single Line, HD, Right Angle, 6 in. Cable	\$1,105	LP
FIS-0003-0015G	MS-3 Laser Scanner, Raster, LD, Right Angle, 6 in. Cable	\$1,160	LP
FIS-0003-0016G	MS-3 Laser Scanner, Raster, HD, Right Angle, 6 in. Cable	\$1,160	LP
FIS-0003-0019G	MS-3 Laser Scanner, Raster, LD, PDF	\$1,160	LP
FIS-0003-0020G	MS-3 Laser Scanner, Raster, HD, PDF	\$1,160	LP
FIS-0003-0028G	MS-3 Laser Scanner, Raster, HD, 6 in. Cable, PDF	\$1,160	LP
FIS-0003-0037G	MS-3 Laser Scanner, Single Line, LD, MS-610 Replacement	\$1,158	LP
FIS-0003-0038G	MS-3 Laser Scanner, Raster, LD, MS-610 Replacement	\$1,224	LP

## Legacy Products

Note: These products are not recommended for new applications, but are still actively shipping and supported.



### MS-820 Laser Barcode Scanner

Part Number	Description	List Price	Type
FIS-0820-0001G	MS-820 Scanner, Single Line, LD	\$1,925	LP
FIS-0820-0002G	MS-820 Scanner, Single Line, HD	\$1,925	LP
FIS-0820-0003G	MS-820 Scanner, Raster, LD	\$2,046	LP
FIS-0820-0004G	MS-820 Scanner, Raster, HD	\$2,046	LP
FIS-0820-0009G	MS-820 Scanner, Single Line, MD	\$1,925	LP
FIS-0820-0010G	MS-820 Scanner, Raster, MD	\$2,046	LP
FIS-0820-0011G	MS-820 Scanner, Single Line, HD	\$1,925	LP
FIS-0820-0012G	MS-820 Scanner, Raster, HD	\$2,046	LP
FIS-0820-0014G	MS-820 Scanner, Raster, HD	\$2,046	LP
FIS-0820-0015G	MS-820 Scanner, Raster, MD, Special Software (Pharmacode)	\$2,046	LP
FIS-0820-0017G	MS-820 Scanner, Single Line, LD, HT	\$2,046	LP
FIS-0820-0018G	MS-820 Scanner, Raster, LD, HT	\$2,178	LP



### Interface Boxes

Part Number	Description	List Price	Type
98-000039-02	Kit, IB-152	\$138	LA
20-500013-01	Box, Interface, DeviceNet, Brand-Label	\$655	LA

Note: parts are not RoHS compliant.

DeviceNet protocol box works with IB-131



### NERLITE Legacy Accessories

Part Number	Description	List Price	Type
NER-030029100	Cable, NERLITE, 4.5M, M12 5-Pin-to-Open-End Cable	\$55	LA
NER-011503800	NERLITE LC-50 Current Controller, 0.35A, Input 40VDC Max.	\$210	LA
NER-011503801	NERLITE LC-50 Current Controller, 0.7A, Input 40VDC Max.	\$210	LA
NER-011503802	NERLITE LC-50 Current Controller, 1.05A, Input 40VDC Max.	\$210	LA



### CDI (Continuous Diffuse Illuminator)

Part Number	Description	List Price	Type
NER-011252000	NERLITE CDI 200/75, Red, CDI Light, 24V Continuous, Open-End Cable	\$3,685	VLP
NER-011252010	NERLITE CDI 200/75, White, CDI Light, 24V Continuous, Open-End Cable	\$3,850	VLP



### Dome Lights

Part Number	Description	List Price	Type
NER-011600403	NERLITE D150, Red, Dome, 24V Continuous, Open-End Cable	\$880	VLP
NER-011600411	NERLITE D150, White, Dome, 24V Continuous, Open-End Cable	\$1,500	VLP
NER-011600402	NERLITE D150, Red, Dome, 24V Strobe, Open-End Cable	\$880	VLP
NER-011600412	NERLITE D150, White, Dome, 24V Strobe, Open-End Cable	\$1,500	VLP

## Legacy Products

Note: These products are not recommended for new applications, but are still actively shipping and supported.



### Linear Arrays

Part Number	Description	List Price	Type
NER-011654195	NERLITE LA-50-1, Red, Linear Array, 24V Continuous, Open-End Cable	\$315	VLP
NER-011654198	NERLITE LA-50-1, White, Linear Array, 24V Continuous, Open-End Cable	\$342	VLP
NER-011654170	NERLITE LA-50-1, Blue, Linear Array, 24V Continuous, Open-End Cable	\$342	VLP
NER-011654120	NERLITE LA-50-1, Red, Linear Array, 24V Strobe, Open-End Cable	\$315	VLP
NER-011654150	NERLITE LA-50-1, White, Linear Array, 24V Strobe, Open-End Cable	\$342	VLP
NER-011654180	NERLITE LA-50-1, Blue, Linear Array, 24V Strobe, Open-End Cable	\$342	VLP
NER-011654395	NERLITE LA-100-1, Red, Linear Array, 24V Continuous, Open-End Cable	\$423	VLP
NER-011654340	NERLITE LA-100-1, White, Linear Array, 24V Continuous, Open-End Cable	\$477	VLP
NER-011654370	NERLITE LA-100-1, Blue, Linear Array, 24V Continuous, Open-End Cable	\$477	VLP
NER-011654320	NERLITE LA-100-1, Red, Linear Array, 24V Strobe, Open-End Cable	\$423	VLP
NER-011654350	NERLITE LA-100-1, White, Linear Array, 24V Strobe, Open-End Cable	\$477	VLP
NER-011654380	NERLITE LA-100-1, Blue, Linear Array, 24V Strobe, Open-End Cable	\$477	VLP
NER-011654593	NERLITE LA-150-1, Red, Linear Array, 24V Continuous, Open-End Cable	\$477	VLP
NER-011654540	NERLITE LA-150-1, White, Linear Array, 24V Continuous, Open-End Cable	\$558	VLP
NER-011654570	NERLITE LA-150-1, Blue, Linear Array, 24V Continuous, Open-End Cable	\$558	VLP
NER-011654520	NERLITE LA-150-1, Red, Linear Array, 24V Strobe, Open-End Cable	\$477	VLP
NER-011654550	NERLITE LA-150-1, White, Linear Array, 24V Strobe, Open-End Cable	\$558	VLP
NER-011654580	NERLITE LA-150-1, Blue, Linear Array, 24V Strobe, Open-End Cable	\$558	VLP



### Area Arrays

Part Number	Description	List Price	Type
NER-011652125	NERLITE AR-50x50-HO, Blue, Non-Diffuse, Array, 24V Continuous, Open-End Cable	\$504	VLP
NER-011652143	NERLITE AR-50x50-HO, Infrared, Array, 24V Continuous, Open-End Cable	\$504	VLP
NER-011652131	NERLITE AR-50x50-HO, Red, Non-Diffuse, Array, 24V Strobe, Open-End Cable	\$387	VLP
NER-011652133	NERLITE AR-50x50-HO, White, Non-Diffuse, Array, 24V Strobe, Open-End Cable	\$504	VLP
NER-011652135	NERLITE AR-50x50-HO, Blue, Non-Diffuse, Array, 24V Strobe, Open-End Cable	\$504	VLP
NER-011652144	NERLITE AR-50x50-HO, Infrared, Non-Diffuse, Array, 24V Strobe, Open-End Cable	\$504	VLP
NER-011652137	NERLITE AR-50x50-HO, Ultraviolet, Array, 24V Strobe, Open-End Cable	\$504	VLP
NER-011903503	NERLITE AR-75x75-HO, Blue, Array, 24V Continuous, Open-End Cable	\$900	VLP
NER-011652182	NERLITE AR-75x75-HO, Infrared, Array, 24V Continuous, Open-End Cable	\$900	VLP
NER-011652171	NERLITE AR-75x75-HO, Red, Array, 24V Strobe, Open-End Cable	\$581	VLP
NER-011652173	NERLITE AR-75x75-HO, White, Array, 24V Strobe, Open-End Cable	\$900	VLP
NER-011652175	NERLITE AR-75x75-HO, Blue, Array, 24V Strobe, Open-End Cable	\$900	VLP
NER-011904006	NERLITE AR-75x75-HO, Infrared, Array, 24V Strobe, Open-End Cable	\$900	VLP
NER-011652180	NERLITE AR-75x75-HO, Ultraviolet, Array, 24V Strobe, Open-End Cable	\$900	VLP
NER-011904301	NERLITE AR-100x100-HO, Blue, Array, 24V Continuous, Open-End Cable	\$1,305	VLP
NER-011652232	NERLITE AR-100x100-HO, Infrared, Array, 24V Continuous, Open-End Cable	\$1,305	VLP
NER-011652226	NERLITE AR-100x100-HO, Red, Array, 24V Strobe, Open-End Cable	\$945	VLP
NER-011652228	NERLITE AR-100x100-HO, White, Array, 24V Strobe, Open-End Cable	\$1,305	VLP
NER-011652230	NERLITE AR-100x100-HO, Blue, Array, 24V Strobe, Open-End Cable	\$1,305	VLP
NER-011904406	NERLITE AR-100x100-HO, Infrared, Array, 24V Strobe, Open-End Cable	\$1,305	VLP
NER-011650004	NERLITE AR-50x200-HO, Red, Non-Diffuse, Array, 24V Strobe, Open-End Cable	\$990	VLP

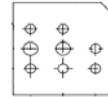
## Legacy Products

Note: These products are not recommended for new applications, but are still actively shipping and supported.



### Machine Vision Optical

Part Number	Description	List Price	Type
98-92800572	Lens 12mm F/1.8-16, Front thread 25.5mm P 0.5mm, 2/3" C-mount	\$385	LA
98-92800573	Lens 16mm F/1.4-16, Front thread 25.5mm P 0.5mm, 2/3" C-mount	\$385	LA
98-92800574	Lens, 25 mm F/1.6-16, Front Thread 25.5 mm P 0.5 mm, 2/3 in. C-Mount	\$385	LA



### Machine Vision Hardware Accessories

Part Number	Description	List Price	Type
98-001904091	Calibration Target for 1.87 mmx3.0 mm Field of View	\$1,395	LA
98-001904092	Calibration Target for 2.80 mmx4.50 mm Field of View	\$1,395	LA
98-001904093	Calibration Target for 4.20 mmx6.75 mm Field of View	\$1,395	LA
98-001904094	Calibration Target for 6.34 mmx10.2 mm Field of View	\$1,395	LA
98-001904095	Calibration Target for 9.33 mmx15.0 mm Field of View	\$1,395	LA
98-001904096	Calibration Target for 14.0 mmx22.5 mm Field of View	\$1,395	LA
98-001904097	Calibration Target for 20.5 mmx33.0 mm Field of View	\$1,395	LA
98-001904098	Calibration Target for 47.3 mmx76.1 mm Field of View	\$1,395	LA



### EZ Match Solution Kits

Part Number	Description	List Price	Type
FIS-0004-1000G	EZ Match, LD, RS-232/RS-422/RS-485, 5V	\$2,750	LP
FIS-0004-1001G	EZ Match, 3 MP, Color, LD, RS-232/RS-422/RS-485	\$3,300	LP



### MS-Connect 5100 Options

Part Number	Description	List Price	Type
FIS-5100-0001G	MS-Connect 5100, Enhanced Multidrop Concentrator	\$1,095	LA
61-000161-02	QX Cordset, M12 12-Pin Plug (Screw-On)-to-MS-Connect 5100, 3 m.	\$80	LA



### PanelScan

Note: Part Numbers replaced with updated model part numbers.

Part Number	Description	List Price	Type
SLN-0001000	PanelScan, Standard (10 in.x24 in., 254 mmx609 mm Field of View), White Light	\$ 19,950	LA
SLN-0001001	PanelScan, Wide (20 in.x24 in., 508 mmx609 mm Field of View), White Light	\$ 25,950	LA