

MICROSCAN.

PRODUCT PRICING CATALOG

Corporate Headquarters, USA

Microscan Systems, Inc.

1201 S.W. 7th Street

Renton, WA

98057-1213

Tel 425.226.5700

Fax 425.226.8250

CONFIDENTIAL

www.microscan.com

Contents	Page #
Field Sales Contacts	3
Auto ID Inside Sales Contacts	4
Technical Support and Service Contacts	4
Standard Terms and Conditions	5
Product Return Process	6
Auto ID Barcode Readers	7
MS-1 Series Scan Engines	7
MS-2 Series CCD Readers	8
MS-3 Series Scanners	10
MS-9 High Speed Scanner	19
QX-830 Compact Barcode Reader	24
QX-870 Industrial Barcode Reader	31
MS-890 Industrial Barcode Reader	36
Auto ID 2D Readers and Verifiers	44
MS-4 Compact 2D Imager	44
Quadrus MINI Family of Imagers	47
HawkEye 1500	53
Quadrus EZ	57
Quadrus Verifier*	66
UID DPM and LDP Verifiers*	70
Auto ID Handhelds	71
HS-1 Handheld Linear CCD Barcode Reader	71
HS-2D Handheld 2D CCD Barcode Reader	71
MS-Q Rugged Handled Imagers	72
HawkEye 40T and 45T Series Handled Imagers	73
MS-Q Handled Imagers with LightRay Optics	74
Auto ID Software, Connectivity, and Accessories	81
DMx AutoID+*	81
DMx Verifier+*	81
MS-Connect Series	82
Auto ID Product Accessories	87
Machine Vision Systems**	90
Visionscape PC Board and Software**	90
Visionscape GigE Solution	91
Visionscape Smart Camera**	92
Machine Vision Accessories*	93
Machine Vision Industry Solutions*	96
EZ Match*	96
Visionscape I-PAK Pharmaceutical Label Verification Software**	97
MS-96 Vial Reader*	98
Instrument and Tool Reader (ITR)*	98
NERLITE® Machine Vision Lighting	99
Ringlights*	99
Ringlight Accessories	100
DOAL and OAL Lights	101
SCDI	103
CDI	104
Area Arrays*	105
Linear Arrays	107
Large Area and Spot Lights	108
Area Spot Array Lights	110
Backlights*	111
Large Backlights	113
Dome Lights*	114
Darkfield Lights	115
Product Demo Kits	117

Field Sales Contacts

Region	Sales Managers	Address	Phone	email
N. America Sales Manager	Bob Fines	3028 Ashbury Drive Naperville, IL 60564	Tel: 630.904.9210	rfines@microscan.com
Western U.S.A.	Bob Taplett	21416 NE 146th PL Woodinville, WA 98077	Mobile: 206-617-9603	btaplett@microscan.com
Central U.S.A. / Canada	Richard Bellemare	2427 Allen Street, #412 Dallas TX 75204	Tel: 214.468.8660	rbellemare@microscan.com
North Central U.S.A.	Bill McCracken	4044 Iris Dr. East Tawas, MI 48730	Tel: 989.362.3082 Mobile: 781.856.4732	wmccracken@microscan.com
Southeastern U.S.A.	David Deardorff	635 Riverhaven Dr. Suwanee, GA 30024	Tel: 770.888.0490	ddear@microscan.com
Northeastern U.S.A.	Chris Palmer	1720 Cooper Rd. Scotch Plains, NJ 07076.2552	Tel: 908.889.7450 Mobile: 908.693.7298	cpalmer@microscan.com
Mexico and Latin America Sales	Al Silva	Av. López Mateos Nte. 891-96, Co. Italia Providencia, Guadalajara, Mexico, CP 44648	Tel:+52.33.84.21.15.61	asilva@microscan.com
European Director	René van Mourik	Lemelerberg 17 NL.2402 ZN Alphen aan den Rijn, The Netherlands	Tel: +31 172.4233.60	rene.van.mourik@microscan.nl
Spain, Portugal, Italy, Greece, Israel, South Africa, Dubai, Northern African countries	René van Mourik			
Germany, Austria	Helmuth Zierer	Ferdinand Zwack Str. 17 D.85354 Freising . Germany	Tel: +49 08161.9199.33	helmuth.zierer@microscan.nl
France/Belgium, UK, Ireland	Michael de Kegel	Zonnestrarat 11 B.9300 Aalst Belgium	Tel: +32 474.3110.56	michael.de.kegel@microscan.nl
Turkey, Romania, Bulgaria, Slovenia, Czech Republic, Slovak Republic, Hungary, Poland, Baltic States.	Osman Erturk	Yavuz Selim Caddesi Sillistre Sokak 15.5, 34087, Fatih/Istanbul Turkey	Tel: +90 212.621.4354	osman.erturk@microscan.nl
APAC Director	Wayne Goh	31 Kaki Bukit Road 3 #06.04/05 TechLink, Singapore 417818	Tel: +65 6846.1214	waynegoh@microscan.com
Singapore	Goh Yee Heng	31 Kaki Bukit Road 3 #06.04/05 TechLink, Singapore 417818	Tel: +65 6846.1214	gohyh@starhub.net.sg
China/Guangzhou	Charles Cheng	11A GoldSun Building 109 Ti Yu Xi Road, TianHe, Guangzhou 510620, P. R. China	Tel: +86 20.8756.8900	bcheng@spectris.com.cn
China/Shanghai	JR Zhuang	Unit 101, XinAn Plaza, Building 13, No. 99 Tianzhou Road,	Tel: +86 21.6113.3750	jrzhuang@sh163.net jrzhuang@microscan.com
	Ming Zhong		Tel: +86 137.8898.6457	mzhong@spectris.com.cn
China/Beijing	Gang Gang Song	Rm 1818 Beijing Shougang International Bldg # 60 North Street, Xizhimen Haidan District, Beijing 100088, P.R.C.	Tel: +86 10.5993.5887	gqsong@spectris.com.cn
	Fei Li		Tel: +86 10.5993.5823	Fei.li@spectris.com.cn
Korea	Moon Soo Kim	SH Building, 8th floor, 16.6, Sunae.dong, Bundang.gu, Seongnam City, Kyeonggi.Do, Korea, 463.825	Tel: +82 31.786.0835	zenith77@unitel.co.kr
	Eric Yu	8F SH Energy B/D, 16.6 Sunae.Dong Bundang.Gu Seongnam.Si, Kyeonggi.Do, Korea 463.825	Tel: +82 103.774.1654	ericyu@spectriskorea.com
Japan	Koji Seto	1F JP Kaji.cho Bldg., 3.5.2 Kandakaji.cho, Chiyoda.ku, Tokyo 101.0045, Japan	Tel: +03 3255.8163	kseto@microscan.com

Inside Sales/Customer Service Contacts

Region	Inside Sales Managers	Address	Phone / email	Ext	Phone / email
Asia/Australia / New Zealand	Steve Kinney	Microscan 1201 SW 7th St. / Renton WA 98057.1213	Tel: 425.226.5700	1120	skinney@microscan.com
Central U.S.A. / Europe	Matt Scrichfield	Microscan 1201 SW 7th St. / Renton WA 98057.1213	Tel: 425.226.5700	1121	mscrigh@microscan.com
Western&Eastern U.S.A/ Canada/ Mexico / Latin America	Joe Merculief	Microscan 1201 SW 7th St. / Renton WA 98057.1213	Tel: 425.226.5700	1155	jmerc@microscan.com

Technical Support and Service Contacts

Support/Service	Contact	Address	Phone	Ext	Phone / email
Distributor Business Development	Matt Van Bogart (Channel Programs Manager)	Microscan 1201 SW 7th St. / Renton WA 98057.1213	Tel: 425.226.5700	1166	mvanbogart@microscan.com
Demo Orders and Order Status	Lauri Scrichfield (Sales and Demo Admin.)	Microscan 1201 SW 7th St. / Renton WA 98057.1213	Tel: 425.226.5700	1165	lscrigh@microscan.com
Help Desk	Auto ID		Tel: 425.226.5700 Tel: 800.251.7771	1222	helpdesk@microscan.com
	Lighting		Tel: 603.598.8400		nerlitesupport@microscan.com
	Vision		Tel: 603.598.8400		visionsupport@microscan.com
Service Contracts, Component Orders (piece parts, returns, obtain RMA #)	Contact your Inside Sales manager		Tel: 425.226.5700		

Note: Only products which are currently active (recommended for new applications) are shown in this product pricing catalog. Information regarding legacy and obsolete products is available by calling the sales/support contacts listed at the top of this page.



For the purposes of these STANDARD TERMS AND CONDITIONS OF SALE, the term "contract" shall mean the agreement between Microscan Systems Inc. ("Supplier") and Buyer arising as a result of Buyer's submission of an order for Supplier's products. Such contract shall be deemed to incorporate and be governed by these Terms and Conditions. THESE TERMS AND CONDITIONS SHALL TAKE PRECEDENCE OVER ANY TERMS AND CONDITIONS WHICH APPEAR IN BUYER'S ORDER OR IN ANY DOCUMENTS INCORPORATED BY REFERENCE IN BUYER'S ORDER. No term or condition of Buyer's order additional to or different from these Terms and Conditions shall become part of the contract unless explicitly agreed to in writing by Supplier. Retention by Buyer of any products delivered by Supplier, or payment by Buyer of any invoice rendered hereunder, shall be conclusively deemed acceptance of these Terms and Conditions. Supplier's failure to object to any provision contained in any communication from Buyer shall not be construed as a waiver of these Terms and Conditions nor as an acceptance of any such provision.

- 1 **Quotations and Orders:** Prices, specifications and dates for delivery referenced in Supplier's quotations are for information purposes only and shall not be binding on Supplier until all technical requirements have been agreed and Supplier has accepted Buyer's order. All orders must be bona fide commitments showing definite prices and quantities and mutually agreed shipping dates.
- 2 **Taxes:** Prices do not include sales or excise taxes, which shall be paid by Buyer unless Buyer provides Supplier with any necessary tax exemption certificate.
- 3 **Shipment and Delivery:** Delays for convenience, within 14 days of the acknowledged shipping dates, will be invoiced at 50% of order value on original ship date. Delays for convenience will not be accepted beyond 60 days. Orders containing custom "FIS" products can not be delayed or canceled after receipt of Sales Order Acknowledgement. All products will be shipped EXW (Ex Works) Supplier's premises. In the absence of specific instructions, Supplier will select the carrier and ship "collect". Title and risk of loss or damage to any products sold hereunder shall pass from Supplier to Buyer upon delivery by Supplier to the possession of the carrier. Any claims for loss, damage or misdelivery thereafter shall be filed with the carrier. All products shall be deemed finally inspected and accepted within ten days after delivery unless notice of rejection is given in writing to Supplier within such period. Acceptance shall constitute acknowledgment of full performance by Supplier of all obligations under the contract except as stated at Section 9 (Limitation of Warranties).
- 4 **Terms of Payment:** Each shipment shall be a separate transaction and Buyer will be invoiced on date of dispatch. Unless otherwise stated on Supplier's invoice, terms of payment shall be net thirty (30) days from date of invoice, unless Supplier requires, in its sole discretion, payment in advance. If Buyer fails to make any payment due hereunder when due, Supplier may recover, in addition to the payment, interest thereon at the rate of 1 1/2% per month and reasonable attorney's fees and costs.
- 5 **Security Interest:** Buyer hereby grants to Supplier a purchase money security interest in all Supplier products sold to Buyer as security for the punctual performance by Buyer of all of its obligations hereunder. Supplier may, at its discretion, file the Buyer's order and these terms and conditions as a financing statement to evidence and perfect said security interest.
- 6 **Force Majeure:** Supplier shall not be liable for any delay in delivery or for non-delivery, in whole or in part, caused by the occurrence of any event beyond the control of Supplier. If any such event occurs, Supplier may allocate production and deliveries among Supplier's customers.
- 7 **Equipment:** Supplier may modify specifications provided the modifications do not adversely affect the performance of the equipment to be supplied under the contract ("the equipment"). In addition, Supplier may furnish suitable substitutes for materials unobtainable because of priorities or regulations established by government authority, or non-availability of materials from suppliers.
- 8 **Software and Proprietary Information:** Supplier shall at all times have and retain title and full ownership of all software, firmware programming routines, and documentation thereof supplied by Supplier for use with the equipment, and of all copies thereof made by Buyer (collectively "software"). Supplier grants Buyer a non-exclusive and non-transferable license to use such software solely for use with the equipment. Buyer shall take all reasonable steps to protect Supplier's proprietary interest in the software, and any other proprietary information of Supplier, and shall not transfer or otherwise provide the software to any third party.
- 9 **Limitation of Warranties:**
 - A. Supplier warrants that all equipment shall be free from defects in material and workmanship under normal use for a period of one year from date of shipment to Buyer save that Supplier does not warrant that operation of the software will be completely uninterrupted or error free or that all program errors will be corrected. Buyer shall be responsible for determining that the equipment is suitable for Buyer's use and that such use complies with any applicable local, state or federal law. Provided that Buyer notifies Supplier in writing of any claimed defect in the equipment immediately upon discovery and any such equipment is returned to the original shipping point, transportation charges prepaid, within one year from date of shipment to Buyer and upon examination Supplier determines to its satisfaction that such equipment is defective in material or workmanship, i.e. contains a defect arising out of the manufacture of the equipment and not a defect caused by other circumstances, including, but not limited to accident, misuse, unforeseeable use, neglect, alteration, improper installation, improper adjustment, improper repair, or improper testing, Supplier shall at its option repair or replace the equipment, shipment to Buyer prepaid. Supplier shall have reasonable time to make such repair.
 - B. If Buyer shall fail to pay when due any portion of the purchase price or any other payment required from Buyer to Supplier under this contract or otherwise, all warranties and remedies granted under this Section 9 may, at Supplier's option, be terminated.
 - C. THE FOREGOING WARRANTY IS EXCLUSIVE AND IN LIEU OF ALL OTHER REPRESENTATIONS, WARRANTIES AND COVENANTS, EXPRESS OR IMPLIED, WITH RESPECT TO THE EQUIPMENT AND ANY DEFECTS THEREIN OF ANY NATURE WHATSOEVER, INCLUDING WITHOUT LIMITATION WARRANTIES OF MERCHANTABILITY OR FITNESS FOR A PARTICULAR PURPOSE. SUPPLIER SHALL NOT BE LIABLE FOR, AND BUYER ASSUMES ALL RISK OF, ANY ADVICE OR FAILURE TO PROVIDE ADVICE BY SUPPLIER TO BUYER REGARDING THE EQUIPMENT OR BUYER'S USE OF THE SAME. UNDER NO CIRCUMSTANCES SHALL SUPPLIER BE LIABLE TO BUYER UNDER ANY TORT, NEGLIGENCE, STRICT LIABILITY, OR PRODUCT LIABILITY CLAIM AND BUYER AGREES TO WAIVE SUCH CLAIMS, SUPPLIER'S SOLE AND EXCLUSIVE LIABILITY, AND BUYER'S SOLE AND EXCLUSIVE REMEDY, FOR ANY NONCONFORMITY OR DEFECT IN THE PRODUCTS OR ANYTHING DONE IN CONNECTION WITH THIS CONTRACT, IN TORT (INCLUDING NEGLIGENCE), CONTRACT, OR OTHERWISE, SHALL BE AS SET FORTH IN SUBSECTION 9A HEREOF AS LIMITED BY SUBSECTION 9B HEREOF. THIS EXCLUSIVE REMEDY SHALL NOT HAVE FAILED OF ITS ESSENTIAL PURPOSE (AS THAT TERM IS USED IN THE UNIFORM COMMERCIAL CODE) PROVIDED THAT THE SUPPLIER REMAINS WILLING TO REPAIR OR REPLACE DEFECTIVE EQUIPMENT (AS DEFINED IN SUBSECTION 9A) WITHIN THE TIME FRAME SET FORTH IN SUBSECTION 9B HEREOF.
- 10 **Patents:** Supplier shall defend any suit or proceeding brought against Buyer to the extent that it is based on a claim that any equipment manufactured by Supplier infringes in construction or design a United States patent, and shall indemnify Buyer against all costs, damages and expenses finally awarded against Buyer provided that Buyer notifies Supplier promptly in writing of any such claim and gives Supplier full and complete authority, information and assistance for the defense of such claim and provided further that Supplier shall have sole control of the defense and of the negotiations for settlement, if any, of such claim. If any such equipment is held in construction or design directly to infringe any United States patent and the use of said equipment is enjoined, or in case any equipment may, in the opinion of Supplier, be held to infringe, Supplier may, at its expense and option, either (a) procure for Buyer the right to continue using said equipment, (b) replace said equipment with a suitable noninfringing product, (c) suitably modify said equipment, or (d) refund the purchase price of said equipment, less depreciation at twenty percent (20%) per year, and accept its return. Supplier shall not be liable for any cost or expense incurred without Supplier's written authorization. Supplier shall not be liable for any cost or expense incurred without Supplier's written authorization.
- 11 **Limitation of Liability and Buyer Indemnity:** IN NO EVENT, REGARDLESS OF THE FORM OF ACTION, SHALL SUPPLIER BE LIABLE FOR ANY SPECIAL, INDIRECT, INCIDENTAL, OR CONSEQUENTIAL LOSSES OR DAMAGES ARISING OUT OF THE SALE OF ITS PRODUCTS TO BUYER OR ARISING OUT OF ANYTHING DONE IN CONNECTION WITH THE CONTRACT, INCLUDING, BUT NOT LIMITED TO, LOSSES OR DAMAGES ARISING OUT OF CLAIMS FOR LOSS OF USE, BUSINESS, GOODWILL, OR PROFITS, AND CLAIMS ARISING OUT OF THIRD PARTY ACTIONS, REGARDLESS OF WHETHER SUCH THIRD PARTY ACTIONS, OR ANY OTHER CLAIMS, LOSSES, OR DAMAGES, WERE REASONABLY FORESEEABLE TO BUYER OR SUPPLIER. BUYER'S EXCLUSIVE REMEDY ARISING OUT OF ITS PURCHASE AND USE OF SUPPLIER'S PRODUCTS, OR ARISING OUT OF ANYTHING DONE IN CONNECTION WITH THE CONTRACT, SHALL BE FOR DAMAGES AND NO CLAIM OR CLAIMS OF ANY KIND, WHETHER BASED UPON CONTRACT, WARRANTY, TORT (INCLUDING, BUT NOT LIMITED TO, NEGLIGENCE, WARRANTY AND STRICT LIABILITY), STATUTORY OR REGULATORY PROVISIONS, INDEMNITY, CONTRIBUTION, OR OTHERWISE, SHALL BE GREATER IN AMOUNT IN AGGREGATE THAN THE PURCHASE PRICE OF THE PRODUCTS IN RESPECT OF WHICH DAMAGES ARE CLAIMED.

Buyer shall indemnify and hold harmless Supplier, its officers, agents, employees, subsidiaries, parents, affiliates and insurers from and against any and all liabilities, damages, losses, claims, lawsuits, including costs and expenses in connection therewith, for death or injury to any persons or loss of any property whatsoever, caused in any manner by Buyer's possession, use or operation of equipment.
- 12 **Non-Waiver; Remedies:** No waiver of any breach of these Terms and Conditions shall constitute a waiver of any prior or subsequent breach of any similar or dissimilar provision or a modification of the contract. All Supplier rights and remedies, whether evidenced hereby or by any other contract or document, shall be cumulative and nonexclusive and may be exercised singularly or concurrently.
- 13 **Applicable Law and Actions to Recover Damages:** The validity, performance and construction of the contract shall be governed by the laws of the State of Washington. If any provision of these Terms and Conditions is held to be unenforceable, such holding shall not affect the enforceability of any other provision. Any legal presumption that terms in this contract shall be strictly construed against the party who drafted such terms or who benefits from such terms shall not be employed in construing and interpreting this contract. Notwithstanding any attempts to resolve differences, any action brought by Buyer against Supplier arising out of this contract or Buyer's purchase and use of the equipment must be commenced within one year after such action accrues and in no event later than two years after date of shipment of such equipment.
- 14 **Government Contracts:** If the products to be furnished under the contract are to be used in the performance of a U.S. Government contract or subcontract, the Government contract number and a statement to that effect shall appear on Buyer's purchase order. If Buyer's purchase order includes all of said information and if said order is accepted in writing by Supplier, then those clauses of the applicable Government procurement regulations which are mandatorily required by Federal statute or regulation to be included in this contract shall be incorporated herein by reference. In all other events, said clauses shall not be incorporated herein by reference.
- 15 **Export:** Regardless of any disclosure made by Buyer to Supplier of the ultimate destination of Supplier products, Buyer shall not export either directly or indirectly any Supplier product, or any system incorporating said product either in contravention of statute or regulation or without first obtaining all required licenses and permits from the United States Department of Commerce and any other relevant agencies or departments of the United States government.
- 16 **Assignment:** The contract shall be binding upon and inure to the benefit of the parties and their respective legal representatives, successors and permitted assigns. The contract is personal to Buyer, and Buyer may not assign any of its rights or delegate any of its obligations thereunder, in whole or in part, without the prior written consent of Supplier which may be withheld for any reason.
- 17 **Complete Agreement; Modifications:** This contract constitutes the entire agreement between the parties relating to the sale of the equipment and no addition to or modification of any provision of said agreement shall be binding upon Supplier unless agreed in writing by Supplier.
- 18 **Notices:** All notices given under the contract shall be in writing, mailed by first class mail, certified or registered, or delivered by hand to the address of the other party set forth in the quotation or to such other address as such party may designate from time to time by such notice, and shall take effect when received.

Prices and Specifications Subject to Change

\$100 Minimum Order

Confidential Document

Tel: 425.226.5700
Fax: 425.226.8250

07-000001-01, Rev Y
www.microscan.com

Page 5 of 117

Product Return Process

The following describes the process for returning products. This is broken down into two main processes:

- 1. RMA (Return Material Authorization) process for NEW PRODUCT**
- 2. RMA (Return Material Authorization) process for IN SERVICE PRODUCT**

RMA (Return material Authorization) process for NEW PRODUCT

This process is used to return a new product because it failed to work on initial startup (damaged on arrival) or the end customer wants to return the product to stock.

- **Damaged on arrival** = Out of box failures, determined at time of initial power up and within 30 days of shipment from Microscan.
 1. Contact your inside sales representative with the FIS part number, serial number, original sales order and/or purchase order and description of failure.
 2. RMA# issued only by Inside Sales Rep. This number MUST appear on the outside of the shipping container and on all related paperwork. Product must be returned in it's original factory packaging. If defective scanner is covered under our standard warranty terms, customers ORIGINAL SALES ORDER will be credited.
 3. If required, a REPLACEMENT sales order can be entered immediately for ASAP shipment. NOTE - Replacement scanner is processed as a NEW order and NEW INVOICE is generated at time of shipment.
- **Returns to stock** = Must be requested within 30 days of original shipment date from Microscan.
 1. Contact your inside sales representative with FIS or accessory part number, serial number (if applicable), original sales order and/or purchase order and reason for return. Upon approval all returns are subject to a standard 20% restocking fee.
 2. RMA# issued by Inside Sales Rep. This number MUST appear on the outside of the shipping container and on all related paperwork. Product must be returned in it's original factory packaging.

RMA (return material authorization) process for IN SERVICE PRODUCT

This process is used to return a product that needs to be repaired.

- **IN WARRANTY**
 1. Contact Customer Service (425-226-5700) with the part number, serial number, description of failure, and request a return material authorization form (RMA).
 2. The RMA# issued by a Customer Service Representative MUST appear on the outside of the shipping container and on all related paperwork.
- **OUT OF WARRANTY**
 1. Contact Customer Service as per "In Warranty" (above) and request a return material authorization form. Upon completion of this document, return it along with your confirming PURCHASE ORDER and an RMA# will then be issued authorizing the return of the product.
 2. The RMA# issued by a Customer Service Representative MUST appear on the outside of the shipping container and on all related paperwork.

Auto ID Barcode Readers

MS-1 Series Scan Engines

Read Ranges

Narrow Bar	High Density
5 mil (.127 mm)	0.9" to 2.3" (23 to 58 mm)
10 mil (.254 mm)	0.9" to 3.5" (23 to 89 mm)
15 mil (.381 mm)	1.2" to 4.3" (25 to 109 mm)
Narrow Bar	Low Density
5 mil (.127 mm)	1.5" to 3.5" (35 to 89 mm)
10 mil (.254 mm)	1.8" to 7.6" (46 to 193 mm)
20 mil (.508 mm)	3.0" to 13.8" (76 to 351 mm)



MS-1 Series Scan Engine

Part Number	Description	List Price
FIS-0001-8001G	CCD Scan Engines, Low Density, 8-pack	\$1,032
FIS-0001-8002G	CCD Scan Engines, High Density, 8-pack	\$1,032

Accessories

Part Number	Description	List Price
98-000097-01	MS-1 Demonstration Kit (Note: kit contains 1 HD MS-1 and 1 LD MS-1)	\$295
98-000051-01	IC-3USB, USB Conversion Kit	\$75

Package Detector/Sensor

Part Number	Description	List Price
99-000017-01	Photo Sensor, Visible, NPN, DARK ON	\$175
99-000017-02	Photo Sensor, Visible, NPN, LIGHT ON	\$175

Software/Manuals

Part Number	Description	List Price
37-000001-01	TOOLS CD, User's Manuals, ESP Software*	\$30

MS-2 Series CCD Readers

Read Ranges *

Narrow Bar		Laser High Density	
5 mil (.127 mm)		0.7" to 2.1" (17.7 to 53.3mm)	
10 mil (.254 mm)		0.7" to 3.3" (17.7 to 83.8 mm)	
15 mil (.381 mm)		1.0" to 4.1" (25.4 to 104.1 mm)	
Narrow Bar		Laser Low Density	
5 mil (.127 mm)		1.3" to 3.3" (33 to 83.8 mm)	
10 mil (.254 mm)		1.6" to 7.4" (40.6 to 187.9 mm)	
20 mil (.508 mm)		2.8" to 13.6" (71 to 345.4 mm)	



MS-2

Part Number	Description	List Price
FIS-0002-0001G	MS-2, CCD, Low Density	\$430
FIS-0002-0002G	MS-2, CCD, Low Density, Right Angle	\$520
FIS-0002-0003G	MS-2, CCD, High Density	\$430
FIS-0002-0004G	MS-2, CCD, High Density, Right Angle	\$520

Accessories

Part Number	Description	List Price
FIS-0210-0001G	MS-Connect 210*, Connectivity Box with Display	\$650
FIS-0210-0002G	MS-Connect 210*, Connectivity Box	\$430
FIS-0210-0003G	MS-Connect 210*, Connectivity Box with Display and Ethernet	\$850
FIS-0210-0004G	MS-Connect 210*, Connectivity Box with Ethernet	\$650
61-000127-02	Cable, MS-2 to MS-Connect 210, 6 ft	\$100
FIS-0001-0030G	IB-3PC Keyboard Wedge/Interface Box	\$100
98-000051-01	IC-3USB, USB Conversion Kit	\$75
FIS-0001-0035G	IC-332, Connects MS-2 to IB-131 (Note: replaces IC-331, FIS-0001-0029)	\$150
99-000018-01	IB-131, Interface Box	\$150
98-000039-02	Kit, IB-152, DB25 Plug Terminal Block, DB25 Gender Changer	\$125
61-300026-03	Cable, Communication, DB-25 Plug to DB-9 Socket, 6 ft	\$30
61-000010-02	Cable, Communication, DB-9 Socket to DB-9 Socket, 6 ft	\$30
61-000011-02	Cable, MS-820 to IB-131 (also use for MS-2, 3, 4, 9, 710 and MINI Extension)	\$30
61-000143-01	Firmware Upgrade Adapter for MS-2	\$30
61-100029-03	Cable, IB-131 Daisy Chain, 1 ft	\$30
20-500013-01	DeviceNet Protocol Box ¹	\$595

* For MS-Connect 210 accessory discount applies

Power Supplies

Part Number	Description	List Price
97-000002-01	Power Supply, 90-264 VAC,+5VDC, USA /Euro Plug (use with IB-3PC)	\$75
97-100004-15	Power Supply, 90-264 VAC,+24VDC USA /Euro Plug (only use with IC-332)	\$125

Mounting and Connectors

Part Number	Description	List Price
98-000048-01	Mounting Arm/Adapter Kit, 4 inch, MS-2, MS-3	\$70
98-000054-01	Kit, Mounting Stand Base Plate, MS-2, MS-3	\$30
98-000053-01	Extension Kit, 4 inch, MS-2, MS-3	\$35
98-000053-02	Extension Kit, 3 inch, MS-2, MS-3	\$35
98-000060-01	Kit, Bracket, Side Mount, MS-2, MS-3	\$20
98-000059-01	Kit, Bracket, Angle Mount, MS-2, MS-3	\$20
98-000057-01	Kit, Bracket, Through Hole Mount, MS-2, MS-3	\$20
98-000058-02	Kit, Extended Right Angle Mirror, MS-2, MS-3	\$50
98-000061-03	MS-2, MS-3 to MS-520/MS-525, Bracket Conversion Kit	\$20
20-610024-01	Trigger Connector, 4-pin Plug	\$30
20-610020-01	Power Connector, 3-pin Socket	\$30

Package Detector/Sensor

Part Number	Description	List Price
99-000017-01	Photo Sensor, Visible, NPN, DARK ON	\$175
99-000017-02	Photo Sensor, Visible, NPN, LIGHT ON	\$175

Software/Manuals

Part Number	Description	List Price
37-000001-01	TOOLS CD, User's Manuals, ESP Software*	\$30

* 1 free per order.

Note:

MS-2 Tech References are equal to MS-3 Laser with the exception of Daisy Chain

Visit the MS-3 Laser section for configuration references

MS-3 Series Scanners

Read Ranges *

Narrow Bar	Laser High Density*
3.3 mil (.084 mm)	2.3" to 2.6" (58 to 66 mm)
5 mil (.127 mm)	2.0" to 3.1" (51 to 79 mm)
7.5 mil (.191 mm)	1.7" to 3.7" (43 to 94 mm)
10 mil (.254 mm)	1.5" to 4.0" (38 to 102 mm)
Narrow Bar	Laser Low Density*
7.5 mil (.191 mm)	3.0" to 6.0" (76 to 152 mm)
10 mil (.254 mm)	2.0" to 7.0" (51 to 178 mm)
15 mil (.381 mm)	2.0" to 8.0" (51 to 203 mm)
20 mil (.508 mm)	2.0" to 10.0" (51 to 254 mm)



*Call for custom focus. For right-angle version, subtract -0.6" (15mm) from Read Range.

Scanners MS-3 Standard

Part Number	Description	List Price
FIS-0003-0001G	Laser, Single Line, Low Density	\$1,100
FIS-0003-0002G	Laser, Single Line, High Density	\$1,100
FIS-0003-0003G	Laser, Raster, Low Density	\$1,150
FIS-0003-0004G	Laser, Raster, High Density	\$1,150
FIS-0003-0005G	Laser, Single Line, Low Density, Right Angle	\$1,210
FIS-0003-0006G	Laser, Single Line, High Density, Right Angle	\$1,210
FIS-0003-0007G	Laser, Raster, Low Density, Right Angle	\$1,260
FIS-0003-0008G	Laser, Raster, High Density, Right Angle	\$1,260
FIS-0003-0009G	Laser, Single Line, Low Density, 6" Cable	\$1,100
FIS-0003-0010G	Laser, Single Line, High Density, 6" Cable	\$1,100
FIS-0003-0011G	Laser, Raster, Low Density, 6" Cable	\$1,150
FIS-0003-0012G	Laser, Raster, High Density, 6" Cable	\$1,150
FIS-0003-0013G	Laser, Single Line, Low Density, Right Angle, 6" Cable	\$1,210
FIS-0003-0014G	Laser, Single Line, High Density, Right Angle, 6" Cable	\$1,210
FIS-0003-0015G	Laser, Raster, Low Density, Right Angle, 6" Cable	\$1,260
FIS-0003-0016G	Laser, Raster, High Density, Right Angle, 6" Cable	\$1,260
FIS-0003-0017G	Laser, Single Line, Low Density, PDF	\$1,210
FIS-0003-0018G	Laser, Single Line, High Density, PDF	\$1,210
FIS-0003-0019G	Laser, Raster, Low Density, PDF	\$1,260
FIS-0003-0020G	Laser, Raster, High Density, PDF	\$1,260
FIS-0003-0021G	Laser, Single Line, Low Density, Right Angle, PDF	\$1,320
FIS-0003-0022G	Laser, Single Line, High Density, Right Angle, PDF	\$1,320
FIS-0003-0023G	Laser, Raster, Low Density, Right Angle, PDF	\$1,370
FIS-0003-0024G	Laser, Raster, High Density, Right Angle, PDF	\$1,370
FIS-0003-0025G	Laser, Single Line, Low Density, 6" Cable, PDF	\$1,210
FIS-0003-0026G	Laser, Single Line, High Density, 6" Cable, PDF	\$1,210
FIS-0003-0027G	Laser, Raster, Low Density, 6" Cable, PDF	\$1,260
FIS-0003-0028G	Laser, Raster, High Density, 6" Cable, PDF	\$1,260
FIS-0003-0029G	Laser, Single Line, Low Density, Right Angle, 6" Cable, PDF	\$1,320
FIS-0003-0030G	Laser, Single Line, High Density, Right Angle, 6" Cable, PDF	\$1,320
FIS-0003-0031G	Laser, Raster, Low Density, Right Angle, 6" Cable, PDF	\$1,370
FIS-0003-0032G	Laser, Raster, High Density, Right Angle, 6" Cable, PDF	\$1,370
FIS-0003-0033G	Laser, Single Line, Low Density, VS-310 Replacement	\$1,100
FIS-0003-0034G	Laser, Single Line, High Density, VS-310 Replacement	\$1,100
FIS-0003-0035G	Laser, Raster, Low Density, VS-310 Replacement	\$1,150
FIS-0003-0036G	Laser, Raster, High Density, VS-310 Replacement	\$1,150
FIS-0003-0037G	Laser, Single Line, Low Density, MS-610 Replacement	\$1,260
FIS-0003-0038G	Laser, Raster, Low Density, MS-610 Replacement	\$1,320
FIS-0003-0039G	Laser, Raster, Low Density, Keyence Replacement	\$1,320

Prices and Specifications Subject to Change

\$100 Minimum Order

Tel: 425.226.5700
Fax: 425.226.8250

07-000001-01, Rev Y
www.microscan.com

Confidential Document

Page 10 of 117

MS-3 Series Scanner Accessories

Accessories

Part Number	Description	List Price
FIS-0210-0001G	MS-Connect 210**, Connectivity Box with Display	\$650
FIS-0210-0002G	MS-Connect 210**, Connectivity Box	\$430
FIS-0210-0003G	MS-Connect 210**, Connectivity Box with Display and Ethernet	\$850
FIS-0210-0004G	MS-Connect 210**, Connectivity Box with Ethernet	\$650
61-000127-02	Cable, MS-3 to MS-Connect 210, 6 ft	\$100
FIS-0001-0030G	IB-3PC Keyboard Wedge/Interface Box	\$100
98-000051-01	IC-3USB, USB Conversion Kit	\$75
FIS-0001-0035G	IC-332, Connects MS-3 to IB-131 (Note: replaces IC-331, FIS-0001-0029)	\$150
99-000018-01	IB-131, Interface Box	\$150
98-000039-02	Kit, IB-152, DB25 Plug Terminal Block, DB25 Gender Changer	\$125
61-300026-03	Cable, Communication, DB-25 Plug to DB-9 Socket, 6 ft	\$30
61-000010-02	Cable, Communication, DB-9 Socket to DB-9 Socket, 6 ft	\$30
61-000011-02	Cable, MS-820 to IB-131 (also use for MS-3, 4, 9, 710 and MINI Extension)	\$30
61-100029-03	Cable, IB-131 Daisy Chain, 1 ft	\$30
20-500013-01	DeviceNet Protocol Box ¹	\$595

¹ Part is not RoHS compliant.

Power Supplies

Part Number	Description	List Price
97-000002-01	Power Supply, 90-264 VAC,+5VDC, USA /Euro Plug (use with IB-3PC)	\$75
97-100004-15	Power Supply, 90-264 VAC,+24VDC USA /Euro Plug (only use with IC-332)	\$125

Mounting and Connectors

Part Number	Description	List Price
98-000048-01	Mounting Arm/Adapter Kit, 4 inch, MS-3	\$70
98-000054-01	Kit, Mounting Stand Base Plate, MS-3	\$30
98-000053-01	Extension Kit, 4 inch, MS-3	\$35
98-000053-02	Extension Kit, 3 inch, MS-3	\$35
98-000060-01	Kit, Bracket, Side Mount, MS-3	\$20
98-000059-01	Kit, Bracket, Angle Mount, MS-3	\$20
98-000057-01	Kit, Bracket, Through Hole Mount, MS-3	\$20
98-000058-02	Kit, Extended Right Angle Mirror, MS-3	\$50
98-000061-03	MS-3 to MS-520/MS-525, Bracket Conversion Kit	\$20
20-610024-01	Trigger Connector, 4-pin Plug	\$30
20-610020-01	Power Connector, 3-pin Socket	\$30

Package Detector/Sensor

Part Number	Description	List Price
99-000017-01	Photo Sensor, Visible, NPN, DARK ON	\$175
99-000017-02	Photo Sensor, Visible, NPN, LIGHT ON	\$175

Software/Manuals

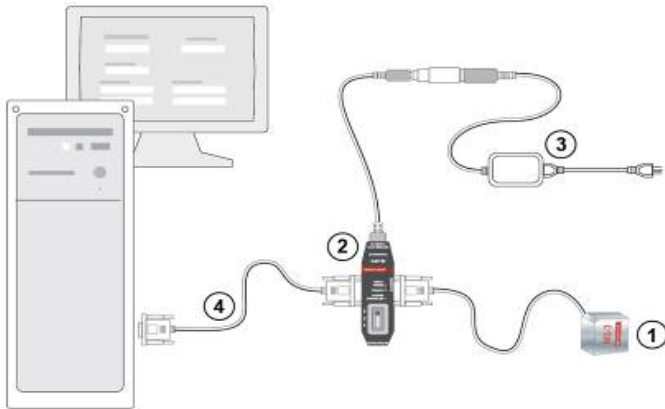
Part Number	Description	List Price
37-000001-01	TOOLS CD, User's Manuals, ESP Software *	\$30

* 1 free per order.

Tech Reference MS-3

Stand Alone (5V)

This is the basic setup for a single MS-3.



System Matrix

Product	Reference No.	Description	List Price
(1) MS-3 Laser	FIS-0003-XXXXG	Scanner Model	Varies
(2) IB-3PC	FIS-0001-0030G	Keyboard Wedge/Interface Box	\$100
(3) Power Supply	97-000002-01	Power Supply, 90-264 VAC, +5VDC	\$75
(4) Communication Cable	61-000010-02	9-pin Socket to 9-pin Socket, 6 ft	\$30
Mounting Arm/Adapter Kit	98-000048-01	4" (102mm) Mounting Kit	\$70
Mounting Plate	98-000054-01	Mounting Stand Base Plate, Small	\$30
User's Manuals, ESP Software	37-000001-01	TOOLS CD, User's Manuals, ESP Software *	\$30

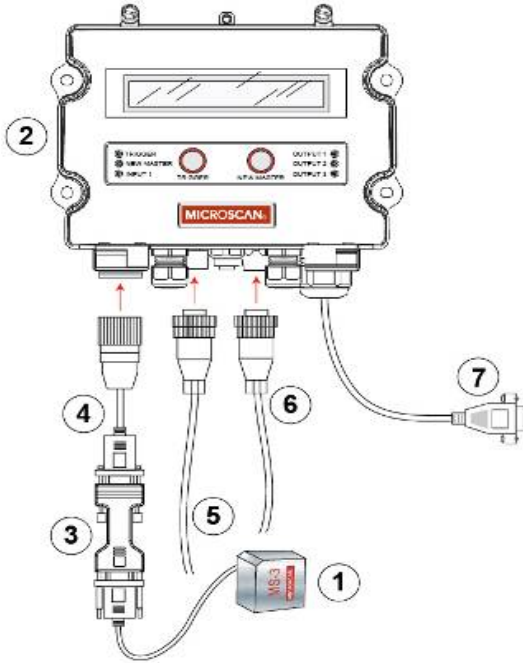
* 1 free per order.

Tech Reference MS-3

Stand Alone (5V)

with MS-Connect 210

This is the basic setup for a single MS-3 and MS-Connect 210.



System Matrix

Product	Reference No.	Description	List Price
(1) MS-3 Laser	FIS-0003-XXXXG	Scanner Model	Varies
(2) MS-Connect 210	FIS-0210-000XG	Connectivity Box *	Varies
(3) IC-332	FIS-0001-0035G	Converts the Voltage Level to 10-28 for the MS-3	\$150
(4) Reader Cable	61-000127-02	Cable, MS-3 to MS-Connect 210, 6 ft	\$100
(5) Power Supply	97-100004-15	Power Supply, 90-264 VAC, 24VDC USA /Euro Plug	\$125
(6) Object Detector	99-000017-02	Photo Sensor, Visible, NPN, LIGHT ON	\$175
(7) Host Cable	61-000105-01	Pre-stripped RS-232, 9-pin host cable **	\$30
User's Manuals, ESP Software	37-000001-01	TOOLS CD, User's Manuals, ESP Software ***	\$30

* See MS-Connect Series section for a complete listing of Accessories

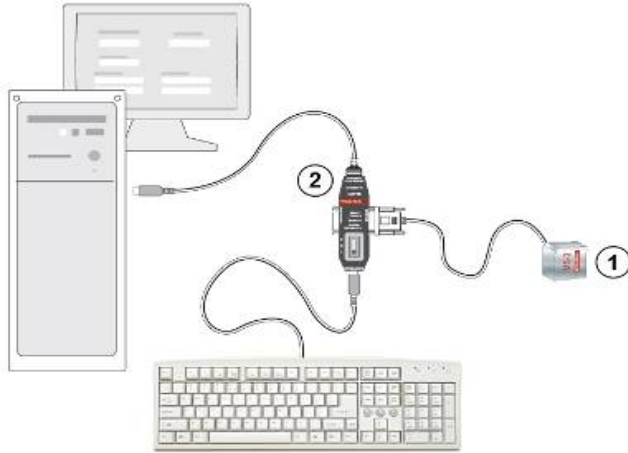
** 1 free host cable is included with each MS-Connect 210

*** 1 free per order.

Tech Reference MS-3

Keyboard Wedge

Allows the scanner to bypass RS-232 port and input data to a host via the keyboard line.



System Matrix

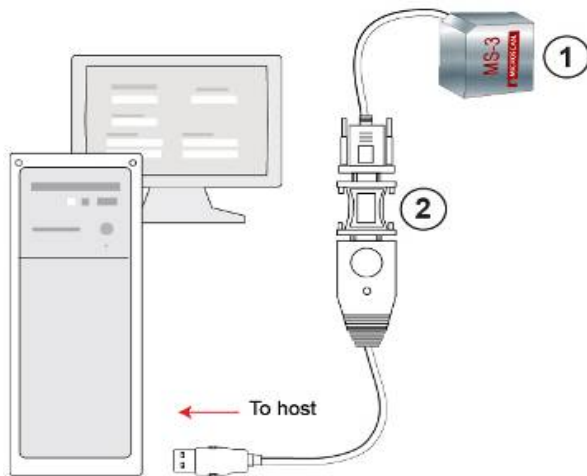
Product	Reference No.	Description	List Price
(1) MS-3 Laser	FIS-0003-XXXXG	Scanner Model	Varies
(2) IB-3PC	FIS-0001-0030G	Keyboard Wedge/Interface Box	\$100
Mounting Arm/Adapter Kit	98-000048-01	4" (102mm) Mounting Kit	\$70
Mounting Plate	98-000054-01	Mounting Stand Base Plate, Small	\$30
User's Manuals, ESP Software	37-000001-01	TOOLS CD, User's Manuals, ESP Software *	\$30

* 1 free per order.

Tech Reference MS-3

USB

Allows the scanner to be powered and communicate via a USB port (virtual com port).



System Matrix

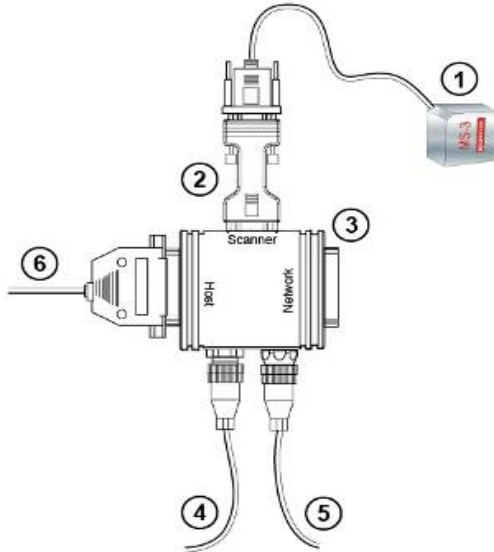
Product	Reference No.	Description	List Price
(1) MS-3 Laser	FIS-0003-XXXXG	Scanner Model	Varies
(2) USB Conversion Kit	98-000051-01	Converts to USB Standard	\$75
Mounting Arm/Adapter Kit	98-000048-01	4" (102mm) Mounting Kit	\$70
Mounting Plate	98-000054-01	Mounting Stand Base Plate, Small	\$30
User's Manuals, ESP Software	37-000001-01	TOOLS CD, User's Manuals, ESP Software *	\$30

* 1 free per order.

Tech Reference MS-3

Stand Alone (10-28V)

This is the basic setup for a single MS-3.



System Matrix

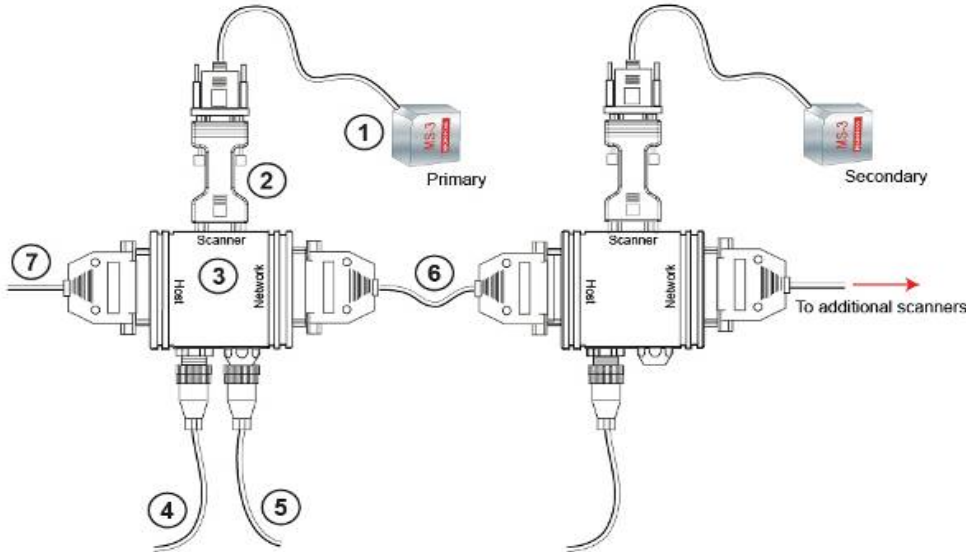
Product	Reference No.	Description	List Price
(1) MS-3 Laser	FIS-0003-XXXXG	Scanner Model	Varies
(2) IC-332	FIS-0001-0035G	Adapts an MS-3 to an MS-9 Pinout, Converts the Voltage Level to 10-28, Allows Connection to IB-131	\$150
(3) IB-131	99-000018-01	Interface Box	\$150
(4) Power Supply	97-100004-15	Power Supply, 90-264 VAC, 24VDC USA /Euro Plug	\$125
(5) Object Detector (If applicable)	99-000017-01	Photo Sensor, Visible, NPN, DARK ON	\$175
(6) Communication Cable	61-300026-03	25-pin Plug to 9-pin Socket , 6 ft	\$30
Mounting Arm/Adapter Kit	98-000048-01	4" (102mm) Mounting Kit	\$70
Mounting Plate	98-000054-01	Mounting Stand Base Plate, Small	\$30
User's Manuals, ESP Software	37-000001-01	TOOLS CD, User's Manuals, ESP Software *	\$30

* 1 free per order.

Tech Reference MS-3

Daisy Chain

A primary scanner is linked directly to the host. Secondary scanners (up to 9) are linked in tandem. Data is sent from the primary scanner directly to the host.



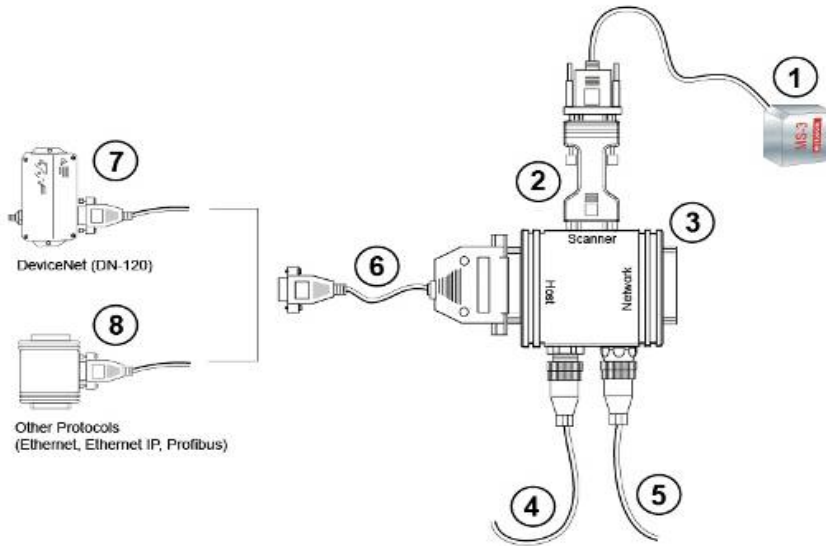
System Matrix

Product	Reference No.	Description	List Price
(1) MS-3 Laser	FIS-0003-XXXXG	Scanner Model	Varies
(2) IC-332	FIS-0001-0035G	Adapts an MS-3 to an MS-9 Pinout, Converts the Voltage Level to 10-28, Allows Connection to IB-131	\$150
(3) IB-131	99-000018-01	Interface Box	\$150
(4) Power Supply	97-100004-15	Power Supply, 90-264 VAC, 24VDC USA /Euro Plug	\$125
(5) Object Detector (If applicable)	99-000017-01	Photo Sensor, Visible, NPN, DARK ON	\$175
(6) Daisy Chain Trunk Cable	61-100029-03	IB-131 to IB-131, 1 ft (0.3 meters)	\$30
(7) Comm. Cable	61-300026-03	25-pin Plug to 9-pin Socket, 6 ft	\$30
Mounting Arm/Adapter Kit	98-000048-01	4" (102mm) Mounting Kit	\$70
Mounting Plate	98-000054-01	Mounting Stand Base Plate, Small	\$30
User's Manuals, ESP Software	37-000001-01	TOOLS CD, User's Manuals, ESP Software *	\$30

* 1 free per order.

Tech Reference MS-3

Optional Interface Protocols



System Matrix

Product	Reference No.	Description	List Price
(1) MS-3 Laser	FIS-0003-XXXXG	Scanner Model	Varies
(2) IC-332	FIS-0001-0035G	Adapts an MS-3 to an MS-9 Pinout, Converts the Voltage Level to 10-28, Allows Connection to IB-131	\$150
(3) IB-131	99-000018-01	Interface Box	\$150
(4) Power Supply	97-100004-15	Power Supply, 90-264 VAC, 24VDC USA /Euro Plug	\$125
(5) Object Detector (If applicable)	99-000017-01	Photo Sensor, Visible, NPN, DARK ON	\$175
(6) Communication Cable	61-300026-03	25-pin Plug to 9-pin Socket , 6 ft	\$30
(7) DN-120	20-500013-01	DeviceNet Protocol Box ¹	\$595
(8) Other Protocols (Ethernet, EtherNet/IP, Profibus)	Third Party	Ask your Microscan sales representative which solution is appropriate for your application.	Varies
Mounting Arm/Adapter Kit	98-000048-01	4" (102mm) Mounting Kit	\$70
Mounting Plate	98-000054-01	Mounting Stand Base Plate, Small	\$30
User's Manuals, ESP Software	37-000001-01	TOOLS CD, User's Manuals, ESP Software *	\$30

¹ Part is not RoHS compliant.

* 1 free per order.

MS-9 High Speed Scanner

Read Ranges *

Narrow Bar	High Density
5 mil (.127 mm)	1.75" to 3.0" (44 to 76 mm)
7.5 mil (.191 mm)	1.5" to 4.0" (38 to 101 mm)
Narrow Bar	Low Density
7.5 mil (.191 mm)	2.0" to 5.0" (50 to 127 mm)
10 mil (.254 mm)	1.5" to 6.0" (38 to 152 mm)
15 mil (.381 mm)	1.0" to 7.0" (25 to 178 mm)
20 mil (.508 mm)	1.0" to 9.0" (25 to 230 mm)

* Call for custom focus.



Scanners *

Part Number	Description	List Price
FIS-0911-0001G	Single Line, Low Density, RS-232/422/485, 10-28 VDC	\$1,950
FIS-0911-0002G	Single Line, High Density, RS-232/422/485, 10-28 VDC	\$1,950
FIS-0911-0003G	Single Line, OMR, Low Density, RS-232/422/485, 10-28 VDC	\$2,190
FIS-0911-0004G	Single Line, OMR, High Density, RS-232/422/485, 10-28 VDC	\$2,190
FIS-0911-0005G	Raster Line, Low Density, RS-232/422/485, 10-28 VDC	\$2,070
FIS-0911-0006G	Raster Line, High Density, RS-232/422/485, 10-28 VDC	\$2,070
FIS-0911-0007G	Single Line, Low Density, Pharmacode, RS-232/422/485, 10-28 VDC	\$1,950

* Scanner has a 3 ft cable terminated with a HD 15 Pin D-sub.

Accessories

Part Number	Description	List Price
FIS-0210-0001G	MS-Connect 210, Connectivity Box with Display	\$650
FIS-0210-0002G	MS-Connect 210, Connectivity Box	\$430
FIS-0210-0003G	MS-Connect 210, Connectivity Box with Display and Ethernet	\$850
FIS-0210-0004G	MS-Connect 210, Connectivity Box with Ethernet	\$650
61-000127-02	Cable, MS-9 to MS-Connect 210, 6 ft	\$100
99-000018-01	IB-131 Interface Box	\$150
FIS-0001-0030G	IB-3PC Keyboard Wedge/Interface Box *	\$100
20-500013-01	DeviceNet Protocol Box **	\$595
98-000051-01	USB Conversion Kit, IC-3USB *	\$75
98-000039-02	Kit, IB-152, DB25 Plug Terminal Block, DB25 Gender Changer *	\$125
61-300026-03	Cable, Communication, DB-25 Plug to DB-9 Socket, 6 ft.	\$30
61-100029-03	Cable, IB-131 Daisy Chain, 1 ft	\$30
61-000011-02	Cable, MS-820 to IB-131 (also use for MS-3, 4, 9, 710 and MINI Extension)	\$30

* Works with IB-131.

** Works with IB-131; not RoHS compliant.

Power Supply

Part Number	Description	List Price
97-100004-15	Power Supply, 90-264 VAC, 24VDC, USA /Euro Plug	\$125

Mounting and Connectors

Part Number	Description	List Price
98-200036-01	Right Angle Down Mirror	\$75
98-000092-01	Standard Flat Mounting Plate Kit, Custom Surfaces	\$20
20-610024-01	Trigger Connector, 4-pin Plug (for self wiring)	\$30
20-610020-01	Power Connector, 3-pin Socket (for self wiring)	\$30
98-000019-01	Mounting Arm/Adapter Kit, MS-9, 6 inch	\$90
98-000037-01	Extension Kit, All Scanners', 6 inch	\$55
98-000054-01	Kit, Mounting Stand Base Plate, Small	\$30

Package Detector/Sensor

Part Number	Description	List Price
99-000017-01	Photo Sensor, Visible, NPN, DARK ON	\$175
99-000017-02	Photo Sensor, Visible, NPN, LIGHT ON	\$175

Software/Manuals

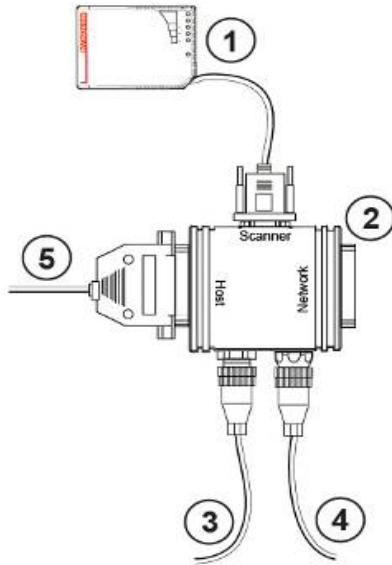
Part Number	Description	List Price
37-000001-01	TOOLS CD, User's Manuals, ESP Software *	\$30

* 1 free per order.

Tech Reference MS-9

Stand Alone

This is the basic setup for a single MS-9.



System Matrix

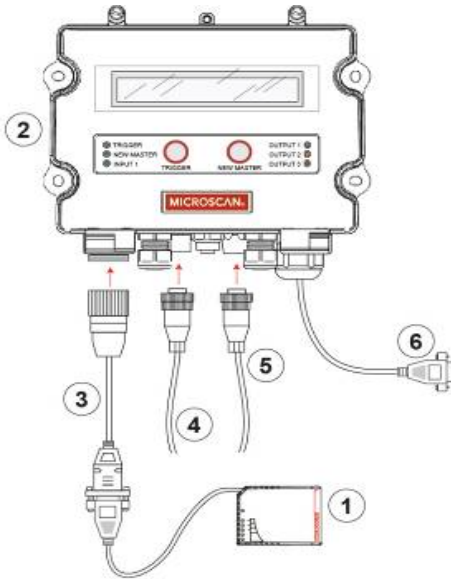
Product	Reference No.	Description	List Price
(1) MS-9	FIS-0911-XXXXG	Scanner Models	Varies
(2) IB-131	99-000018-01	Interface Module	\$150
(3) Power Supply	97-100004-15	Power Supply, 90-264 VAC, 24VDC USA /Euro Plug	\$125
(4) Object Detector (If applicable)	99-000017-01	Photo Sensor, Visible, NPN, DARK ON	\$175
(5) Communication Cable	61-300026-03	Connects Decoder to the PC (Host), 6 ft	\$30
Mounting Arm/Adapter Kit	98-000019-01	Adjustable, 6 inch Mounting Arm	\$90
Mounting Plate	98-000054-01	Mounting Stand Base Plate, Small	\$30
User's Manuals, ESP Software	37-000001-01	TOOLS CD, User's Manuals, ESP Software *	\$30

* 1 free per order.

Tech Reference MS-9

**Stand Alone
with MS-Connect 210**

This is the basic setup for a single MS-9 and MS-Connect 210.



System Matrix

Product	Reference No.	Description	List Price
(1) MS-9	FIS-0911-XXXXG	Scanner Models	Varies
(2) MS-Connect 210	FIS-0210-000XG	Connectivity Box *	Varies
(3) Reader Cable	61-000127-02	Cable, MS-9 to MS-Connect 210, 6 ft	\$100
(4) Power Supply	97-100004-15	Power Supply, 90-264 VAC, 24VDC USA /Euro Plug	\$125
(5) Object Detector	99-000017-02	Photo Sensor, Visible, NPN, LIGHT ON	\$175
(6) Host Cable	61-000105-01	Pre-stripped RS-232, 9-pin host cable **	\$30
User's Manuals, ESP Software	37-000001-01	TOOLS CD, User's Manuals, ESP Software ***	\$30

* See MS-Connect Series section for a complete listing of Accessories

** 1 free host cable is included with each MS-Connect 210

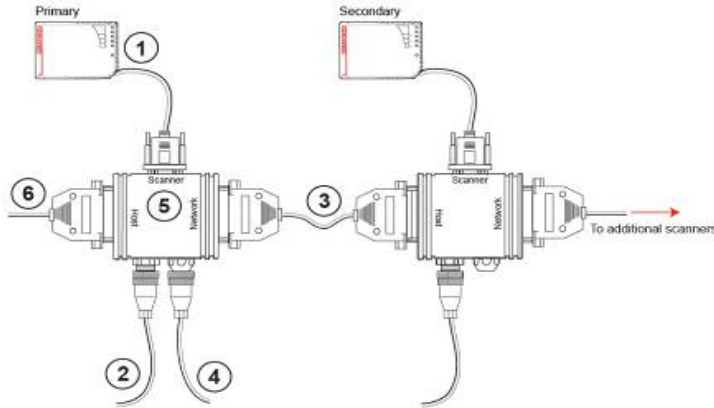
*** 1 free per order.

Tech Reference MS-9



Daisy Chain

A primary scanner is linked directly to the host. Secondary scanners (up to 9) are linked in tandem. Data is sent from the primary scanner directly to the host.



System Matrix

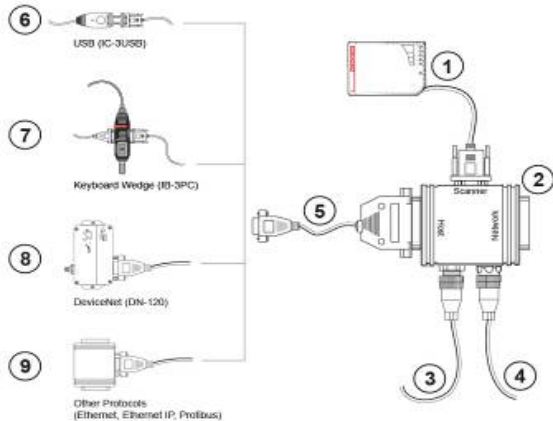
Product	Reference No.	Description	List Price
(1) MS-9	FIS-0911-XXXXG	Scanner Models	Varies
(2) Power Supply	97-100004-15	Power Supply, 90-264 VAC, 24VDC USA /Euro Plug	\$125
(3) Daisy Chain Trunk Cable	61-100029-03	Connects the IB-131 to IB-131, 1 ft	\$30
(4) Object Detector (If applicable)	99-000017-01	Photo Sensor, Visible, NPN, DARK ON	\$175
(5) IB-131	99-000018-01	Interface Module	\$150
(6) Communication Cable	61-300026-03	Connects IB-131 to the PC (Host), 6 ft	\$30
Mounting Arm/Adapter Kit	98-000019-01	Adjustable, 6 inch Mounting Arm	\$90
Mounting Plate	98-000054-01	Mounting Stand Base Plate, Small	\$30
User's Manuals, ESP Software	37-000001-01	TOOLS CD, User's Manuals, ESP Software *	\$30

* 1 free per order.

Tech Reference MS-9



Optional Interface Protocols



System Matrix

Product	Reference No.	Description	List Price
(1) MS-9	FIS-0911-XXXXG	Scanner Models	Varies
(2) IB-131	99-000018-01	Interface Module	\$150
(3) Power Supply	97-100004-15	Power Supply, 90-264 VAC, 24VDC USA /Euro Plug	\$125
(4) Object Detector (If applicable)	99-000017-01	Photo Sensor, Visible, NPN, DARK ON	\$175
(5) Communication Cable	61-300026-03	Connects IB-131 to the PC (Host), 6 ft	\$30
(6) IC-3USB***	98-000051-01	USB Conversion Kit	\$75
(7) IB-3PC****	FIS-0001-0030G	Keyboard Wedge PC Interface	\$100
(8) DN-120	20-500013-01	DeviceNet Protocol Box ¹	\$595
(9) Other Protocols (Ethernet, EtherNet/IP, Profibus)	Third Party	Ask your Microscan sales representative which solution is appropriate for your application.	
Mounting Arm/Adapter Kit	98-000019-01	Adjustable, 6 inch Mounting Arm	\$70
Mounting Plate	98-000054-01	Mounting Stand Base Plate, Small	\$30
User's Manuals, ESP Software	37-000001-01	TOOLS CD, User's Manuals, ESP Software *	\$30

* 1 free per order.

***Pin Converter is not required for this configuration.

****Set the IB-3PC to **position 2** in this configuration.

¹ Part is not RoHS compliant.

QX-830 High Performance Compact Industrial Barcode Reader

Read Ranges	
Narrow Bar	High Density
5 mil (.127 mm)	4.0" to 5.5" (101 to 140 mm)
7.5 mil (.191 mm)	3.5" to 6.75" (89 to 171 mm)
10 mil (.254 mm)	3.25" to 8.0" (82 to 203 mm)
15 mil (.381 mm)	3.25" to 9.0" (82 to 228 mm)
Narrow Bar	Medium Density
7.5 mil (.191 mm)	2.5" to 5.5" (64 to 140 mm)
10 mil (.254 mm)	1.5" to 7.0" (38 to 178 mm)
15 mil (.381 mm)	1.5" to 8.5" (38 to 216 mm)
20 mil (.508 mm)	1.5" to 11" (38 to 280 mm)
30 mil (.762 mm)	1.0" to 12" (25 to 304 mm)
Narrow Bar	Low Density
7.5 mil (.191 mm)	10" to 12" (254 to 304 mm)
10 mil (.254 mm)	7.0" to 16" (177 to 406 mm)
15 mil (.381 mm)	6.0" to 19" (152 to 483 mm)
20 mil (.508 mm)	5.0" to 22" (127 to 558 mm)
40 mil (1.02 mm)	4.0" to 30" (101 to 762 mm)



Scanners		
Part Number	Description	List Price
FIS-0830-0001G	QX-830, Industrial Barcode Reader, Single Line, Low Density, Serial	\$1,695
FIS-0830-0002G	QX-830, Industrial Barcode Reader, Single Line, Medium Density, Serial	\$1,695
FIS-0830-0003G	QX-830, Industrial Barcode Reader, Single Line, High Density, Serial	\$1,695
FIS-0830-0004G	QX-830, Industrial Barcode Reader, Raster Line, Low Density, Serial	\$1,695
FIS-0830-0005G	QX-830, Industrial Barcode Reader, Raster Line, Medium Density, Serial	\$1,695
FIS-0830-0006G	QX-830, Industrial Barcode Reader, Raster Line, High Density, Serial	\$1,695
FIS-0830-0010G	QX-830, Industrial Barcode Reader, Raster Line, Low Density, Serial, Plastic Window	\$1,695
FIS-0830-1001G	QX-830, Industrial Barcode Reader, Single Line, Low Density, Serial+Ethernet	\$1,895
FIS-0830-1002G	QX-830, Industrial Barcode Reader, Single Line, Medium Density, Serial+Ethernet	\$1,895
FIS-0830-1003G	QX-830, Industrial Barcode Reader, Single Line, High Density, Serial+Ethernet	\$1,895
FIS-0830-1004G	QX-830, Industrial Barcode Reader, Raster Line, Low Density, Serial+Ethernet	\$1,895
FIS-0830-1005G	QX-830, Industrial Barcode Reader, Raster Line, Medium Density, Serial+Ethernet	\$1,895
FIS-0830-1006G	QX-830, Industrial Barcode Reader, Raster Line, High Density, Serial+Ethernet	\$1,895
FIS-0830-1010G	QX-830, Industrial Barcode Reader, Raster Line, Low Density, Serial+Ethernet, Plastic Window	\$1,895

QX-830 Industrial Scanner Continued

QX-1 and Cordsets

Part Number	Description	List Price
98-000103-01	QX-1 Interface Device	\$155
61-000148-01	QX Cordset, Common, M12 12pin Plug to M12 12pin Socket, 3m	\$60
61-000162-01	QX Cordset, Common, M12 12pin Plug to M12 12pin Socket, 1m	\$60
61-000153-01	QX Cordset, Host, Serial, M12 12pin Socket to DB9, 1m	\$60
61-000164-01	QX Cordset, Host, Serial, M12 12pin Socket to DB9, 3m	\$60
61-000152-01	QX Cordset, Host, Serial, M12 12pin Plug to DB9, 1m	\$60
61-000165-01	QX Cordset, Host, Serial, M12 12pin Plug to DB9, 3m	\$60
61-000163-01	QX Cordset, Host, Ethernet, M12 8pin Plug to RJ45, 3m	\$60
61-000160-01	QX Cordset, Host, Ethernet, M12 8pin Plug to RJ45, 1m	\$60
61-000161-01	QX Cordset, M12 12pin Plug to MS-Connect 5100, 3m	\$60
61-000159-03	QX Cordset, M12 12pin Plug & M12 12pin to IB-131 (RS-232), 2m	\$150
61-000159-04	QX Cordset, M12 12pin Plug & M12 12pin to IB-131 (422/485), 2m	\$150
61-000158-01	QX Cordset, M12 12pin Plug & M12 12pin to MS-Connect 210, (RS-232), 2m	\$225
61-000158-02	QX Cordset, M12 12pin Plug & M12 12pin to MS-Connect 210, (422/485), 2m	\$225
61-000166-01	QX Cordset, M12 12pin Plug, Flying leads, 3m	\$60
61-000167-01	QX Cordset, M12 12pin Socket, Flying leads, 3m	\$60
FIS-0210-0001G	MS-Connect 210, Connectivity Box with Display	\$650
FIS-0210-0002G	MS-Connect 210, Connectivity Box	\$430
FIS-0210-0003G	MS-Connect 210, Connectivity Box with Display and Ethernet	\$850
FIS-0210-0004G	MS-Connect 210, Connectivity Box with Ethernet	\$650

Power Supplies

Part Number	Description	List Price
97-000003-01	QX Power Supply, M12 12 pin Socket, 1.3m	\$110
97-000003-02	QX Power Supply, M12 12 pin Plug, 1.3m	\$110

Package Detector/Sensor

Part Number	Description	List Price
99-000020-02	QX Photo sensor, M12 4pin Plug, NPN, Dark On, 2m	\$110
99-000020-01	QX Photo sensor, M12 4pin Plug, NPN, Dark Off, 2m	\$110

Mounting and Connectors

Part Number	Description	List Price
98-500006-01	Mounting Plate Kit, Flat, Custom Surfaces *	\$20
98-200026-02	Right Angle Mirror Kit	\$75
20-610024-01	Trigger Connector, 4-pin Plug (for self wiring)	\$30
98-000016-01	Mounting Arm/Adapter Kit, MS-820/QX-830/QX-870, 6 inch	\$90
98-000037-01	Extension Kit, All Scanners, 6 inch	\$55
98-000054-01	Kit, Mounting Stand Base Plate, Small	\$30

* Though-hole mounting plate; not for use with mounting arm.

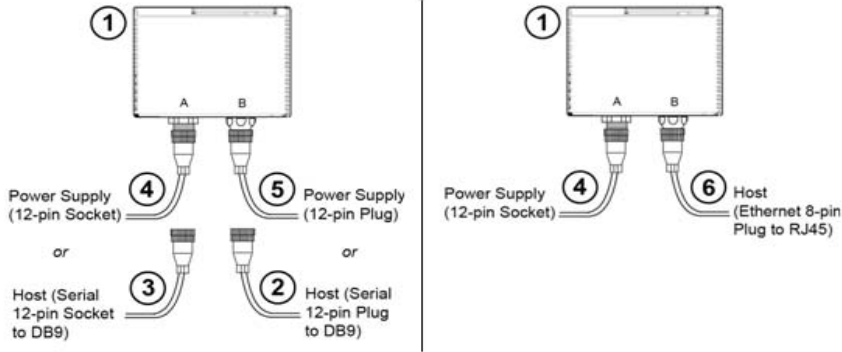
Part Number	Description	List Price
37-000001-01	TOOLS CD, User's Manuals, ESP Software *	\$30

* 1 free per order.

Tech Reference QX-830

Stand Alone Configurations

Without QX-1



Item	Part Number	Description	List Price
1	FIS-0830-XXXXG	QX-830 Compact Industrial Scanner	\$1,695
2	61-000152-01	QX Cordset, Host, Serial, M12 12-pin Plug to DB9, 1m *	\$60
3	61-000153-01	QX Cordset, Host, Serial, M12 12-pin Socket to DB9, 1m *	\$60
4	97-000003-01	QX Power Supply, M12 12-pin Socket, 1.3m	\$110
5	97-000003-02	QX Power Supply, M12 12-pin Plug, 1.3m	\$110
6	61-000160-01	QX Cordset, Host, Ethernet, M12 8-pin Plug to RJ45, 1m *	\$60
	98-000016-01	Adjustable, 6 inch Mounting Arm	\$90
	98-000054-01	Mounting Stand Base Plate, Small	\$30
	37-000001-01	TOOLS CD, User's Manuals, ESP Software **	\$30

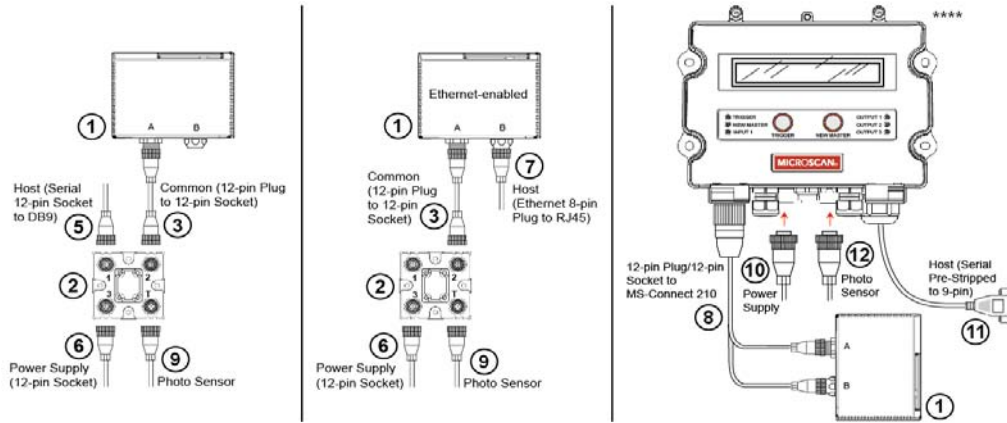
* Cordsets available in multiple lengths

** One complimentary with each order

Tech Reference QX-830

Stand Alone Configurations

With QX-1 or MS-Connect 210



Item	Part Number	Description	List Price
1	FIS-0830-XXXXG	QX-830 Compact Industrial Scanner	\$1,695
2	98-000103-01	QX-1 Interface Device	\$155
3	61-000162-01	QX Cordset, Common, M12 12-pin Plug to M12 12-pin Socket, 1m *	\$60
4	61-000152-01	QX Cordset, Host, Serial, M12 12-pin Plug to DB9, 1m *	\$60
5	61-000153-01	QX Cordset, Host, Serial, M12 12-pin Socket to DB9, 1m *	\$60
6	97-000003-01	QX Power Supply, M12 12-pin Socket, 1.3m	\$110
7	61-000160-01	QX Cordset, Host, Ethernet, M12 8-pin Plug to RJ45, 1m *	\$60
8	61-000158-01	QX Cordset, M12 12-pin Plug & M12 12-pin Socket to MS-Connect 210, (RS-232), 2m	\$225
9	99-000020-02	QX Photo Sensor, M12 4-pin Plug, NPN, Dark On, 2m	\$110
10	97-100004-15	Power Supply, 90-264 VAC, 24VDC USA /Euro Plug	\$125
11	61-000105-01	Pre-stripped RS-232, 9-pin host cable	\$30
12	99-000017-01	Photo Sensor, Visible, NPN, DARK ON	\$175
	98-000016-01	Adjustable, 6 inch Mounting Arm Kit	\$90
	98-000054-01	Mounting Stand Base Plate, Small	\$30
	37-000001-01	TOOLS CD, User's Manuals, ESP Software **	\$30

* Cordsets available in multiple lengths

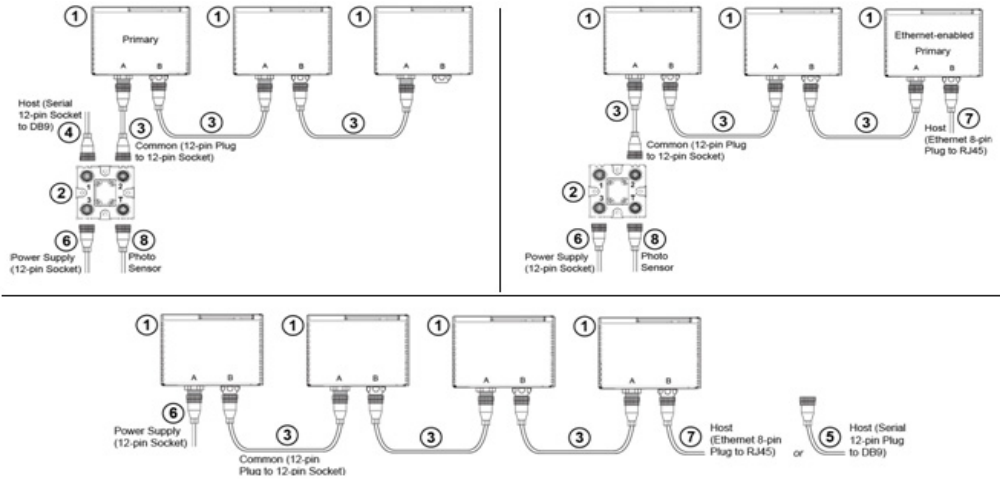
** One complimentary with each order

**** Refer to MS-Connection section for complete listing of MS-Connection 210 options

Tech Reference QX-830

Daisy Chain Configurations

With and Without QX-1



Item	Part Number	Description	List Price
1	FIS-0830-XXXXG	QX-830 Compact Industrial Scanner	\$1,695
2	98-000103-01	QX-1 Interface Device	\$155
3	61-000162-01	QX Cordset, Common, M12 12-pin Plug to M12 12-pin Socket, 1m *	\$60
4	61-000153-01	QX Cordset, Host, Serial, M12 12-pin Socket to DB9, 1m *	\$60
5	61-000152-01	QX Cordset, Host Serial, M12 12-pin Plug to DB9, 1m *	\$60
6	97-000003-01	QX Power Supply, M12 12-pin Socket, 1.3m	\$110
7	61-000160-01	QX Cordset, Host, Ethernet, M12 8-pin Plug to RJ45, 1m *	\$60
8	99-000020-02	QX Photo Sensor, M12 4-pin Plug, NPN, Dark On, 2m	\$110
	98-000016-01	Adjustable, 6 inch Mounting Arm Kit	\$90
	98-000054-01	Mounting Stand Base Plate, Small	\$30
	37-000001-01	TOOLS CD, User's Manuals, ESP Software **	\$30

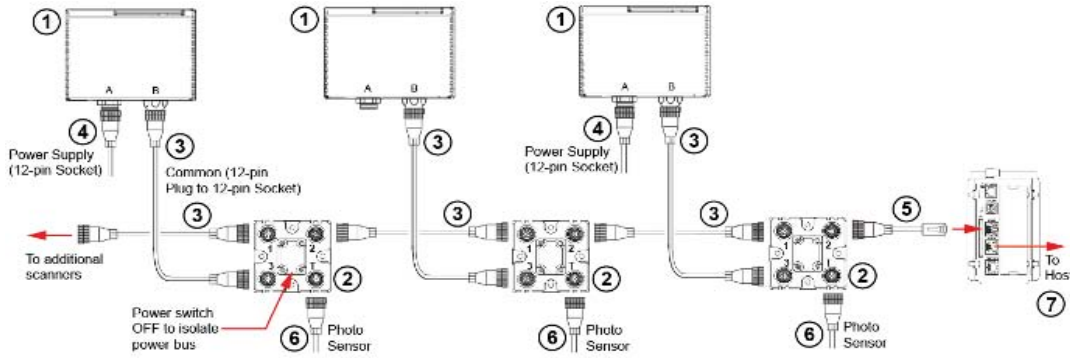
* Cordsets available in multiple lengths

** One complimentary with each order

Tech Reference QX-830



Multidrop Configuration



Item	Part Number	Description	List Price
1	FIS-0830-XXXXG	QX-830 Compact Industrial Scanner	\$1,695
2	98-000103-01	QX-1 Interface Device	\$155
3	61-000162-01*	QX Cordset, Common, M12 12-pin Plug to M12 12-pin Socket, 1m *	\$60
4	97-000003-01	QX Power Supply, M12 12-pin Socket, 1.3m	\$110
5	61-000161-01	QX Cordset, M12 12-pin Plug to MS-Connect 5100, 3m	\$60
6	99-000020-02	QX Photo Sensor, M12 4-pin Plug, NPN, Dark On, 2m	\$110
7	<i>See page 102 for MS-Connect 5100 to host communication options</i>		
	98-000016-01	Adjustable, 6 inch Mounting Arm Kit	\$90
	98-000054-01	Mounting Stand Base Plate, Small	\$30
	37-000001-01**	TOOLS CD, User's Manuals, ESP Software **	\$30

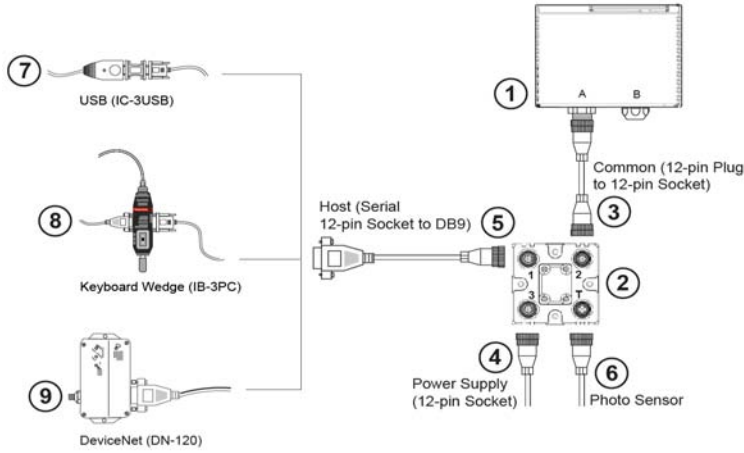
* Cordsets available in multiple lengths. See Accessories section for additional detail.

** One complimentary with each order

Tech Reference QX-830



Optional Interface Protocols



Item	Part Number	Description	List Price
1	FIS-0830-XXXXG	QX-830 Compact Industrial Scanner	\$1,695
2	98-000103-01	QX-1 Interface Device	\$155
3	61-000162-01	QX Cordset, Common, M12 12-pin Plug to M12 12-pin Socket, 1m *	\$60
4	97-000003-01	QX Power Supply, M12 12-pin Socket, 1.3m	\$110
5	61-000153-01	QX Cordset, Host, Serial, M12 12-pin Socket to DB9, 1m *	\$60
6	99-000020-02	QX Photo Sensor, M12 4-pin Plug, NPN, Dark On, 2m	\$110
7	98-000051-01	IC3-USB, USB Conversion Kit	\$75
8	FIS-0001-0030G	Keyboard Wedge PC Interface	\$100
9	20-500013-01	DeviceNet Protocol Box ¹	\$595
	98-000016-01	Adjustable, 6 inch Mounting Arm Kit	\$90
	98-000054-01	Mounting Stand Base Plate, Small	\$30
	37-000001-01	TOOLS CD, User's Manuals, ESP Software **	\$30

* Cordsets available in multiple lengths. See Accessories section for additional detail.

** One complimentary with each order

¹ Part is not RoHS compliant part

QX-870 High Performance Industrial Sweeping Raster Barcode Reader

Read Ranges	
Narrow Bar	High Density
5 mil (.127 mm)	4" to 5" (102 to 127 mm)
7.5 mil (.191 mm)	3.5" to 6.75" (89 to 171 mm)
10 mil (.254 mm)	3.25" to 8" (82 to 203 mm)
15 mil (.381 mm)	3.25" to 9" (82 to 228 mm)
Medium Density	
7.5 mil (.191 mm)	2.5" to 5.5" (64 to 140 mm)
10 mil (.254 mm)	1.5" to 7" (38 to 178 mm)
15 mil (.381 mm)	1.5" to 8.5" (38 to 216 mm)
30 mil (.762 mm)	1" to 12" (25 to 304 mm)
Low Density	
7.5 mil (.191 mm)	10" to 12" (254 to 305 mm)
10 mil (.254 mm)	7" to 16" (178 to 406 mm)
15 mil (.381 mm)	6" to 19" (152 to 483 mm)
20 mil (.508 mm)	5" to 22" (127 to 558 mm)
40 mil (1.02 mm)	4" to 30" (102 to 762 mm)

* Subject to change



Barcode Readers		
Part Number	Description	List Price
FIS-0870-0001G	QX-870, Industrial Barcode Reader, Low Density, Sweeping Raster, Serial	\$2,530
FIS-0870-0002G	QX-870, Industrial Barcode Reader, Medium Density, Sweeping Raster, Serial	\$2,530
FIS-0870-0003G	QX-870, Industrial Barcode Reader, High Density, Sweeping Raster, Serial	\$2,530
FIS-0870-1001G	QX-870, Industrial Barcode Reader, Low Density, Sweeping Raster, Serial+Ethernet	\$2,695
FIS-0870-1002G	QX-870, Industrial Barcode Reader, Medium Density, Sweeping Raster, Serial+Ethernet	\$2,695
FIS-0870-1003G	QX-870, Industrial Barcode Reader, High Density, Sweeping Raster, Serial+Ethernet	\$2,695

QX-870 Industrial Scanner Accessories (Similar to QX-830)

QX-1 and Cordsets		
Part Number	Description	List Price
98-000103-01	QX-1 Interface Device	\$155
61-000148-01	QX Cordset, Common, M12 12pin Plug to M12 12pin Socket, 3m	\$60
61-000162-01	QX Cordset, Common, M12 12pin Plug to M12 12pin Socket, 1m	\$60
61-000153-01	QX Cordset, Host, Serial, M12 12pin Socket to DB9, 1m	\$60
61-000164-01	QX Cordset, Host, Serial, M12 12pin Socket to DB9, 3m	\$60
61-000152-01	QX Cordset, Host, Serial, M12 12pin Plug to DB9, 1m	\$60
61-000165-01	QX Cordset, Host, Serial, M12 12pin Plug to DB9, 3m	\$60
61-000163-01	QX Cordset, Host, Ethernet, M12 8pin Plug to RJ45, 3m	\$60
61-000160-01	QX Cordset, Host, Ethernet, M12 8pin Plug to RJ45, 1m	\$60
61-000161-01	QX Cordset, M12 12pin Plug to MS-Connect 5100, 3m	\$60
61-000172-01	QX Cordset, M12 12pin Plug & M12 12pin to IB-150, 2m	\$150
61-000158-01	QX Cordset, M12 12pin Plug & M12 12pin to MS-Connect 210, (RS-232), 2m	\$225
61-000158-02	QX Cordset, M12 12pin Plug & M12 12pin to MS-Connect 210, (422/485), 2m	\$225
61-000166-01	QX Cordset, M12 12pin Plug, Flying leads, 3m	\$60
61-000167-01	QX Cordset, M12 12pin Socket, Flying leads, 3m	\$60
FIS-0210-0001G	MS-Connect 210, Connectivity Box with Display	\$650
FIS-0210-0002G	MS-Connect 210, Connectivity Box	\$430
FIS-0210-0003G	MS-Connect 210, Connectivity Box with Display and Ethernet	\$850
FIS-0210-0004G	MS-Connect 210, Connectivity Box with Ethernet	\$650

Power Supplies		
Part Number	Description	List Price
97-000003-01	QX Power Supply, M12 12 pin Socket, 1.3m	\$110
97-000003-02	QX Power Supply, M12 12 pin Plug, 1.3m	\$110

Package Detector/Sensor		
Part Number	Description	List Price
99-000020-02	QX Photo sensor, M12 4pin Plug, NPN, Dark On, 2m	\$110
99-000020-01	QX Photo sensor, M12 4pin Plug, NPN, Dark Off, 2m	\$110

Mounting and Connectors		
Part Number	Description	List Price
98-500006-01	Mounting Plate Kit, Flat, Custom Surfaces *	\$20
20-610024-01	Trigger Connector, 4-pin Plug (for self wiring)	\$30
98-000016-01	Mounting Arm/Adapter Kit, MS-820/QX-830/QX-870, 6 inch	\$90
98-000037-01	Extension Kit, All Scanners, 6 inch	\$55
98-000054-01	Kit, Mounting Stand Base Plate, Small	\$30

* Though-hole mounting plate; not for use with mounting arm.

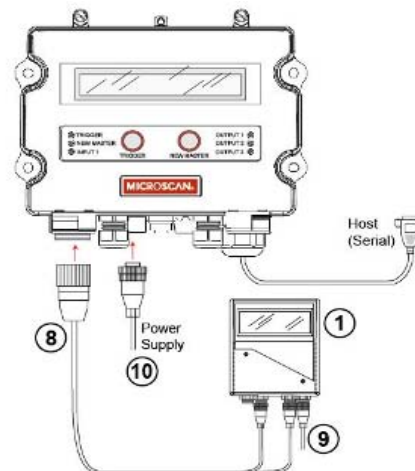
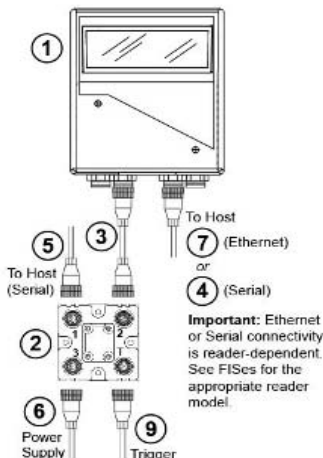
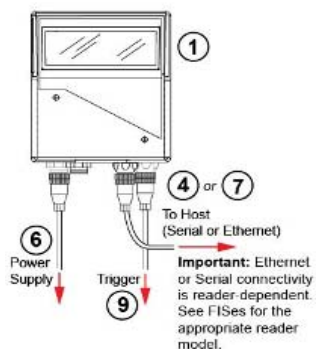
Part Number	Description	List Price
37-000001-01	TOOLS CD, User's Manuals, ESP Software *	\$30

* 1 free per order.

Tech Reference QX-870

Stand Alone Configurations

With QX-1 or MS-Connect 210



Item	Part Number	Description	List Price
1	FIS-0870-XXXXG	QX-870 Industrial Raster Barcode Reader	\$2,695
2	98-000103-01	QX-1 Interface Device	\$155
3	61-000162-01	QX Cordset, Common, M12 12-pin Plug to M12 12-pin Socket, 1m *	\$60
4	61-000152-01	QX Cordset, Host, Serial, M12 12-pin Plug to DB9, 1m *	\$60
5	61-000153-01	QX Cordset, Host, Serial, M12 12-pin Socket to DB9, 1m *	\$60
6	97-000003-01	QX Power Supply, M12 12-pin Socket, 1.3m	\$110
7	61-000160-01	QX Cordset, Host, Ethernet, M12 8-pin Plug to RJ45, 1m *	\$60
8	61-000158-01	QX Cordset, M12 12-pin Plug & M12 12-pin Socket to MS-Connect 210, (RS-232), 2m	\$225
9	99-000020-02	QX Photo Sensor, M12 4-pin Plug, NPN, Dark On, 2m	\$110
10	97-100004-15	Power Supply, 90-264 VAC, 24VDC USA /Euro Plug	\$125
11	61-000105-01	Pre-stripped RS-232, 9-pin host cable	\$30
12	99-000017-01	Photo Sensor, Visible, NPN, DARK ON	\$175
	98-000016-01	Adjustable, 6 inch Mounting Arm Kit	\$90
	98-000054-01	Mounting Stand Base Plate, Small	\$30
	37-000001-01	TOOLS CD, User's Manuals, ESP Software **	\$30

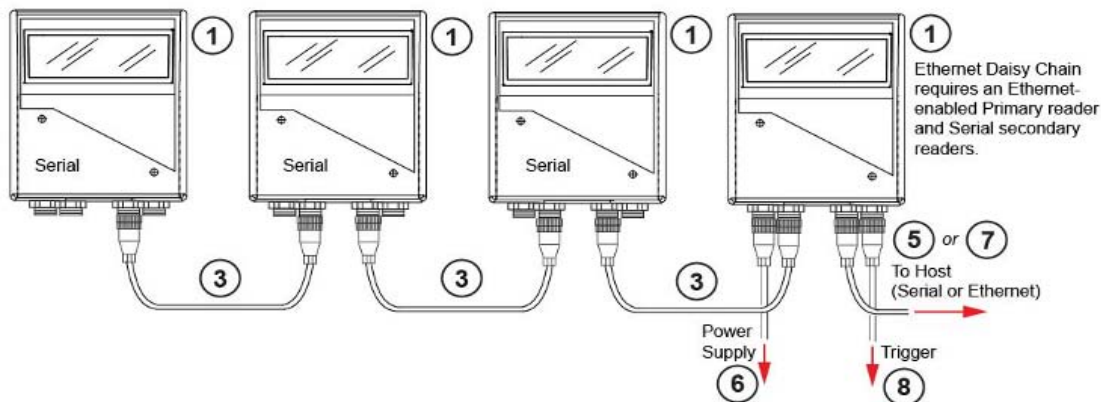
* Cordsets available in multiple lengths

** One complimentary with each order

**** Refer to MS-Connection section for complete listing of MS-Connection 210 options

Tech Reference QX-870

Daisy Chain Configuration



Please also reference QX-830 section for alternative Daisy Chain configurations

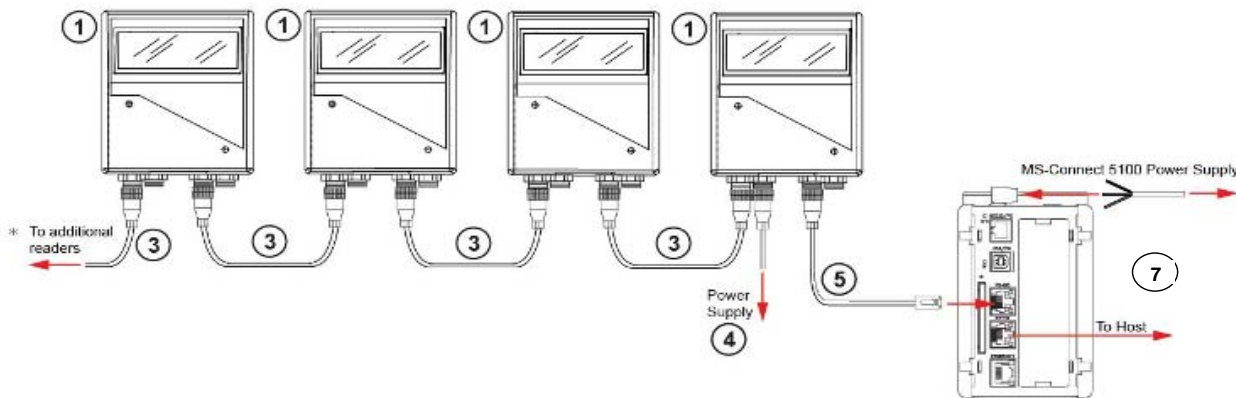
Item	Part Number	Description	List Price
1	FIS-0870-XXXXG	QX-870 Industrial Raster Barcode Reader	\$2,695
2	98-000103-01	QX-1 Interface Device	\$155
3	61-000162-01	QX Cordset, Common, M12 12-pin Plug to M12 12-pin Socket, 1m *	\$60
4	61-000153-01	QX Cordset, Host, Serial, M12 12-pin Socket to DB9, 1m *	\$60
5	61-000152-01	QX Cordset, Host Serial, M12 12-pin Plug to DB9, 1m *	\$60
6	97-000003-01	QX Power Supply, M12 12-pin Socket, 1.3m	\$110
7	61-000160-01	QX Cordset, Host, Ethernet, M12 8-pin Plug to RJ45, 1m *	\$60
8	99-000020-02	QX Photo Sensor, M12 4-pin Plug, NPN, Dark On, 2m	\$110
	98-000016-01	Adjustable, 6 inch Mounting Arm Kit	\$90
	98-000054-01	Mounting Stand Base Plate, Small	\$30
	37-000001-01	TOOLS CD, User's Manuals, ESP Software **	\$30

* Cordsets available in multiple lengths

** One complimentary with each order

Tech Reference QX-870

Multidrop Configuration



* QX-1 required when powering more than 4 readers from a single power supply

Item	Part Number	Description	List Price
1	FIS-0870-XXXXG	QX-870 Industrial Raster Barcode Reader	\$2,695
2	98-000103-01	QX-1 Interface Device	\$155
3	61-000162-01*	QX Cordset, Common, M12 12-pin Plug to M12 12-pin Socket, 1m *	\$60
4	97-000003-01	QX Power Supply, M12 12-pin Socket, 1.3m	\$110
5	61-000161-01	QX Cordset, M12 12-pin Plug to MS-Connect 5100, 3m	\$60
6	99-000020-02	QX Photo Sensor, M12 4-pin Plug, NPN, Dark On, 2m	\$110
7	See MS-Connect 5100 section for detailed options		
	98-000016-01	Adjustable, 6 inch Mounting Arm Kit	\$90
	98-000054-01	Mounting Stand Base Plate, Small	\$30
	37-000001-01**	TOOLS CD, User's Manuals, ESP Software **	\$30

* Cordsets available in multiple lengths. See Accessories section for additional detail.

** One complimentary with each order

Tech Reference QX-870

Optional Interface Protocols



Note:
Please reference QX-830 section for optional interface protocol information

MS-890 Industrial Barcode Reader

Read Ranges

Narrow Bar	
7.5 mil (.191 mm)	10" to 35" (254 to 889 mm)
15 mil (.381 mm)	10" to 74" (254 to 1880 mm)
20 mil (.508 mm)	10" to 90" (254 to 2286 mm)
30 mil (.762 mm)	10" to 100" (254 to 2540 mm)
40 mil (1.02 mm)	10" to 110" (254 to 2794 mm)
50 mil (1.27 mm)	10" to 120" (254 to 2048 mm)



MS-890 Industrial Scanners

Part Number	Description	List Price
FIS-0890-0001G	Long Range, Stand Alone Version, RS-232/485, 10-28 VDC	\$4,070
FIS-0890-0002G	Long Range, Wiring Box Ready, RS-232/485, 10-28 VDC	\$4,070

Wiring Box

Part Number	Description	List Price
99-420003-04	IB-890 Wiring Box (use w/FIS-0890-0002G)	\$300
98-000013-04	Relay Module, 120VAC, 3 Amp Output, Series 70, Type SM	\$47
98-000013-05	Relay Module, 240VAC, 3 Amp Output, Series 70, Type SM	\$47
98-000013-06	Relay Module, 24VDC, 3 Amp Output, Series 70, Type SM	\$47
98-000056-02	Ethernet TCP/IP Protocol Card	\$595
12-000130-01	CGB's (sealed strain relief wire clamp) *	\$15

1 Included with 99-420003-04

MS-890 Industrial Automation Scanner Continued

Accessories

Part Number	Description	List Price
FIS-0210-0001G	MS-Connect 210, Connectivity Box with Display	\$650
FIS-0210-0002G	MS-Connect 210, Connectivity Box	\$430
FIS-0210-0003G	MS-Connect 210, Connectivity Box with Display and Ethernet	\$850
FIS-0210-0004G	MS-Connect 210, Connectivity Box with Ethernet	\$650
61-000122-01	Cable, To MS-Connect 210, Host RS-422/485 for Multidrop, 6 ft	\$100
61-000123-01	Cable, To MS-Connect 210, Host/AUX RS-232, for Daisy Chain 210 to 210, 6 ft	\$100
FIS-0001-0030G	IB-3PC Keyboard Wedge/Interface Box	\$100
98-000039-02	Kit, IB-152, DB25 Plug Terminal Block, DB25 Gender Changer	\$125
98-000040-02	IB-150 Interface and reader cable, 6 ft	\$175
98-000051-01	USB Conversion kit, IC-3USB	\$75
61-000034-02	Cable, Comm/Serial , 25pin Socket to 9pin Socket, 6 ft	\$30
61-100029-03	Cable, Connects IB-150 to IB-150, 1 ft , Daisy Chain	\$30
61-000010-02	Cable, Communication, DB-9 Socket to DB-9 Socket, 6 ft	\$30
98-000011-01	Glass Window Replacement Kit	\$80
98-000011-02	Plastic Window Replacement Kit	\$130
61-000154-01	Daisy Chain/Comm Adapter	\$75

Power Supply

Part Number	Description	List Price
97-100004-15	Power Supply, 90-264 VAC, 24VDC, USA /Euro Plug	\$125

Mounting and Connectors

Part Number	Description	List Price
98-000017-01	Mounting Arm/Adapter Kit, IB-890/FIS-0880-0002, 6 inch	\$90
98-000018-01	Mounting Arm/Adapter kit, MS-890, 6 inch	\$90
98-000046-01	Kit, Base Plate	\$40
98-200037-01	Standard Flat Mounting Plate Kit, MS-890, Custom Surfaces	\$40
20-610024-01	Trigger Connector, 4-pin Plug (for self wiring)	\$30
20-610020-01	Power Connector, 3-pin Socket (for self wiring)	\$30

Package Detector/Sensor

Part Number	Description	List Price
99-000004-01	Package Detector, Standard Diffuse, 120 inch Range, 4-pin Plug	\$225
99-000004-02	Package Detector, Standard Diffuse, 120 inch Range, Unterminated	\$225
99-000017-01	Photo Sensor, Visible, NPN, DARK ON	\$175
99-000017-02	Photo Sensor, Visible, NPN, LIGHT ON	\$175

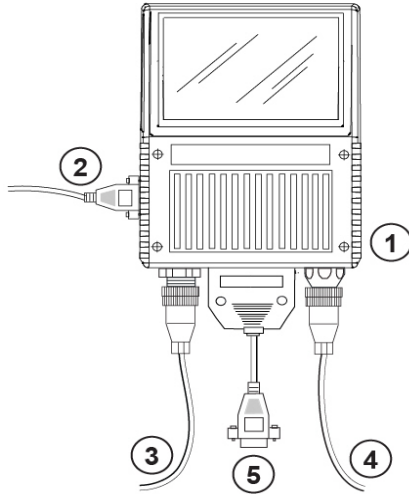
Software / Manuals

Part Number	Description	List Price
37-000001-01*	TOOLS CD, User's Manuals, ESP Software	\$30

Tech Reference MS-890

Stand Alone

This is the basic setup for a single MS-890.



System Matrix

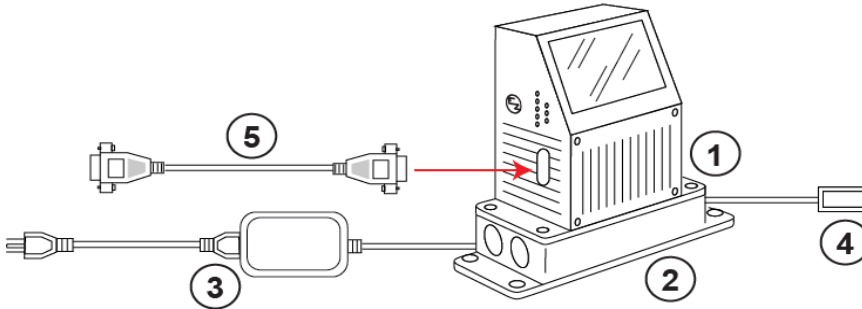
Product	Reference No.	Description	List Price
(1) MS-890	FIS-0890-0001G	Scanner, Industrial, Long Range	\$4,070
(2) Configuration Cable	61-000010-02	Serial, 9-pin, D-Sub, Socket to 9-pin, D-Sub, Socket, 6 ft	\$30
(3) Power Supply	97-100004-15	Power Supply, 90-264 VAC, 24VDC, USA /Euro Plug	\$125
(4) Object Detector	99-000004-01	Package Detector, Standard Diffuse, 120 inch Range, 4-pin Plug	\$225
(5) Cable, Comm/Serial	61-000034-02	Cable, 25 Pin D-sub, Socket to 9 Pin D-sub, Socket, 6 ft	\$30
Mounting Arm Kit	98-000018-01	Mounting Arm/Adapter Kit, MS-890	\$90
Mounting Plate	98-000046-01	Mounting Stand Base Plate	\$40
User's Manuals, ESP Software	37-000001-01*	TOOLS CD, User's Manuals, ESP Software	\$30

* 1 free per order.

Tech Reference MS-890

**Stand Alone
with Wiring Box**

This is the basic setup for a single MS-890 with IB-890 Wiring Box.



System Matrix

Product	Reference No.	Description	List Price
(1) MS-890	FIS-0890-0002G	Scanner, Industrial, Wiring Box-Ready	\$4,070
(2) Wiring Box Base	99-420003-04	Wiring Box Base, IB-890/FIS-0890-0002	\$300
(3) Power Supply***	97-100004-15	Power Supply, 90-264 VAC, 24VDC, USA /Euro Plug	\$125
(4) Object Detector	99-000004-02	Package Detector, Standard Diffuse, 120 inch Range, Unterminated	\$225
(5) Configuration Cable	61-000010-02	Serial, 9 pin, D-Sub, Socket to 9 pin, D-Sub, Socket	\$30
Mounting Arm/Adapter Kit	98-000017-01	6 inch Adjustable Mounting Arm Kit, IB-890/FIS-0880-0002	\$90
Mounting Plate	98-000046-01	Mounting Stand Base Plate	\$40
User's Manuals, ESP Software	37-000001-01*	TOOLS CD, User's Manuals, ESP Software	\$30

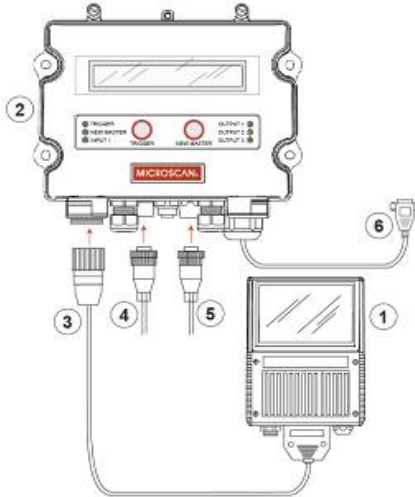
* 1 free per order.

*** Remove connectors before installation.

Tech Reference *MS-890*

Stand Alone
with MS-Connect 210

This is the basic setup for a single MS-890 and MS-Connect 210.



System Matrix

Product	Reference No.	Description	List Price
(1) MS-890	FIS-0890-0001G	Scanner, Industrial, Long Range	\$4,070
(2) MS-Connect 210	FIS-0210-000XG*	Connectivity Box	Varies
(3) Reader Cable	61-000122-01 [†]	Cable, MS-890 to MS-Connect 210, Host RS-422/485, 6ft	\$100
(4) Power Supply	97-100004-15	Power Supply, 90-264 VAC, 24VDC USA /Euro Plug	\$125
(5) Object Detector	99-000017-02	Photo Sensor, Visible, NPN, LIGHT ON	\$175
(6) Host Cable	61-000105-01**	Pre-stripped RS-232, 9-pin host cable	\$30
User's Manuals, ESP Software	37-000001-01***	TOOLS CD, User's Manuals, ESP Software	\$30

* See MS-Connect Series section for a complete listing of Accessories

** 1 free host cable is included with each MS-Connect 210

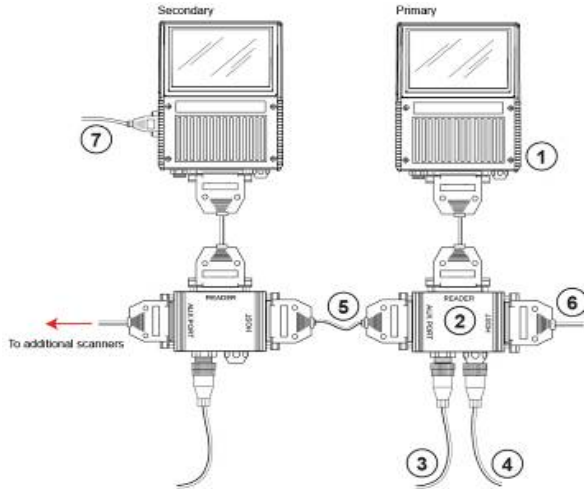
*** 1 free per order.

[†] Choose one cable.

Tech Reference MS-890

Daisy Chain

A primary scanner is linked directly to the host. Secondary scanners (up to 9) are linked in tandem. Data is sent from the primary scanner directly to the host.



System Matrix

Product	Reference No.	Description	List Price
(1) MS-890	FIS-0890-0001G	Scanner, Industrial, Long Range	\$4,070
(2) IB-150 Kit	98-000040-02	IB-150 Interface and Reader Cable, 6 ft	\$175
(3) Power Supply	97-100004-15	Power Supply, 90-264 VAC, 24VDC USA /Euro Plug	\$125
(4) Object Detector (If applicable)	99-000004-01	Package Detector, Std. Diffuse, 120 inch Range, 4-pin Plug	\$225
(5) Daisy Chain Cable	61-100029-03	Cable, Connects IB-150 to IB-150, 1 ft (.3 meters)	\$30
(6) IB-150 Host Cable	61-000034-02***	Cable, 25 pin Socket to 9 pin Socket, 6 ft	\$30
(7) Configuration Cable	61-000010-02	Serial, 9 pin, D-Sub, Socket to 9 pin, D-Sub, Socket	\$30
Mounting Arm Kit	98-000018-01	Mounting Arm/Adapter Kit, MS-890	\$90
Mounting Plate	98-000046-01	Mounting Stand Base Plate	\$40
User's Manuals, ESP Software	37-000001-01*	TOOLS CD, User's Manuals, ESP Software	\$30

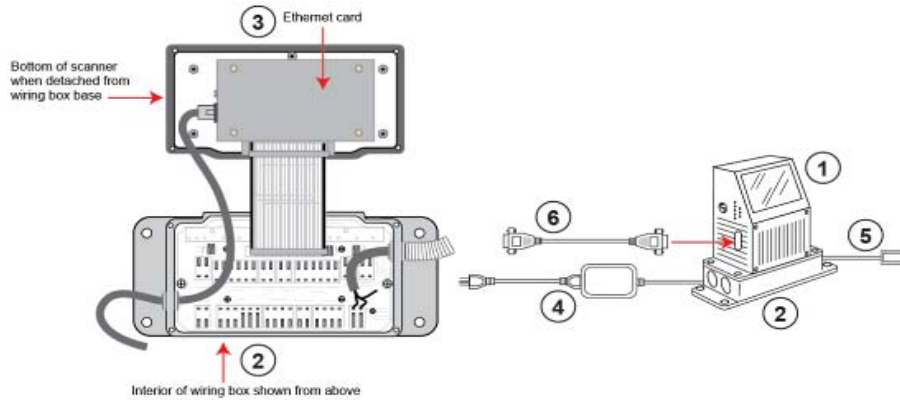
* 1 free per order.

*** If using another communications cable, make sure it does not have RTS/CTS connected to the host.

Tech Reference MS-890

**Ethernet
with Wiring Box**

This is the basic setup for an MS-890 with Ethernet.



System Matrix

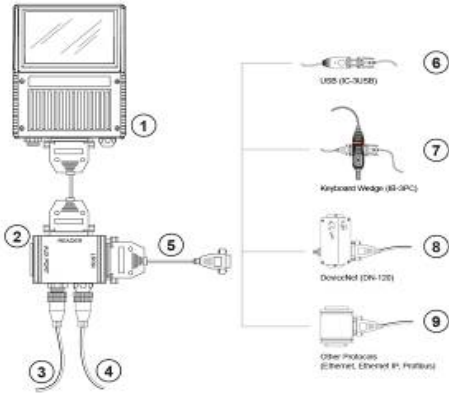
Product	Reference No.	Description	List Price
(1) MS-890	FIS-0890-0002G	Scanner, Industrial, Wiring Box Ready	\$4,070
(2) Wiring Box Base	99-420003-04	Wiring Box Base, IB-890 (FIS-0890-0002 only)	\$300
(3) Ethernet Card	98-000056-02	Ethernet TCP/IP Protocol Card Kit	\$595
(4) Power Supply***	97-100004-15	Power Supply, 90-264 VAC, 24VDC, USA /Euro Plug	\$125
(5) Object Detector	99-000004-02	Package Detector, Standard Diffuse, 120 inch Range, Unterminated	\$225
(6) Configuration Cable	61-000010-02	Serial, 9 pin, D-Sub, Socket to 9 pin, D-Sub, Socket	\$30
Ethernet Cable	Existing Equip.	Customer's Cat 5 Ethernet Cable	N/A
Mounting Arm/Adapter Kit	98-000017-01	6 inch Adjustable Mounting Arm Kit, IB-890/FIS-0890-0002	\$90
Mounting Plate	98-000046-01	Mounting Stand Base Plate	\$40
User's Manuals, ESP Software	37-000001-01*	TOOLS CD, User's Manuals, ESP Software	\$30

* 1 free per order.

*** Remove connectors before installation.

Tech Reference MS-890

Optional Interface Protocols



System Matrix

Product	Reference No.	Description	List Price
(1) MS-890	FIS-0890-0001G	Scanner, Industrial, Long Range	\$4,070
(2) IB-150 Kit	98-000040-02	IB-150 Interface and Reader Cable, 6 ft	\$175
(3) Power Supply	97-100004-15	Power Supply, 90-264 VAC, 24VDC, USA /Euro Plug	\$125
(4) Object Detector (If applicable)	99-000004-01	Package Detector, Standard Diffuse, 120 inch Range, 4-pin Plug	\$225
(5) Cable, Comm/Serial	61-000034-02	Cable, 25 Pin D-sub, Socket to 9 Pin D-sub, Socket, 6 ft	\$30
(6) IC-3USB***	98-000051-01	USB Conversion Kit	\$75
(7) IB-3PC****	FIS-0001-0030G	Keyboard Wedge PC Interface	\$100
(8) DN-120	20-500013-01 ¹	DeviceNet Protocol Box	\$595
(9) Other Protocols (Ethernet, EtherNet/IP, Profibus)	Third Party	Ask your Microscan sales representative which solution is appropriate for your application.	Various
Mounting Arm Kit	98-000018-01	Mounting Arm/Adapter Kit, MS-890	\$90
Mounting Plate	98-000046-01	Mounting Stand Base Plate	\$40
User's Manuals, ESP Software	37-000001-01*	TOOLS CD, User's Manuals, ESP Software	\$30

*1 free per order.

**Refer to page 8 for a complete listing of support agreement options.

*** Pin Converter is not required for this configuration.

****Set the IB-3PC to **position 2** in this configuration.

¹ Part is not RoHS compliant.

Auto ID 2D Readers and Verifiers

MS-4 Compact 2D Imager

Narrow-bar-width		Field of View (maximum)	Read Range
1D	2D		
Standard Density			
0.0075 " (0.19 mm)	0.010 " (0.25 mm)	2.4 " (61 mm)	2.0 " to 4.0 " (51 mm to 102 mm)
0.010 " (0.25 mm)	0.015 " (0.38 mm)	2.6 " (66 mm)	1.7 " to 4.7 " (43 mm to 119 mm)
0.015 " (0.38 mm)	0.020 " (0.51 mm)	2.8 " (71 mm)	1.4 " to 5.2 " (36 mm to 132 mm)
Low Density			
0.010 " (0.25 mm)	0.015 " (0.38 mm)	4.2 " (107 mm)	3.5 " to 4.5 " (89 mm to 114 mm)
0.015 " (0.38 mm)	0.020 " (0.51 mm)	4.5 " (114 mm)	2.7 " to 5.0 " (69 mm to 127 mm)
0.020 " (0.51 mm)	0.030 " (0.76 mm)	5.5 " (140 mm)	2.0 " to 6.0 " (51 mm to 152 mm)



Imagers MS-4

Part Number	Description	List Price
FIS-0004-0001G	Imager, Standard Density, RS-232, 5VDC	\$1,150
FIS-0004-0002G	Imager, Low Density, RS-232, 5VDC	\$1,150
FIS-0004-0003G	Imager, Standard Density, USB*	\$1,150
FIS-0004-0004G	Imager, Low Density, USB*	\$1,150

* Cable terminated with USB type A connector.

Accessories

Part Number	Description	List Price
FIS-0210-0001G	MS-Connect 210, Connectivity Box with Display	\$650
FIS-0210-0002G	MS-Connect 210, Connectivity Box	\$430
FIS-0210-0003G	MS-Connect 210, Connectivity Box with Display and Ethernet	\$850
FIS-0210-0004G	MS-Connect 210, Connectivity Box with Ethernet	\$650
61-000127-02	Reader Cable MS-4 to MS-Connect 210, 6 ft	\$100
FIS-0001-0030G	IB-3PC Keyboard Wedge/Interface Box	\$100
FIS-0001-0035G	IC-332, Connects MS-4 to IB-131 (Note: replaces IC-331, FIS-0001-0029)	\$150
99-000018-01	IB-131, Interface Box	\$150
98-000039-02	Kit, IB-152, DB25 Plug Terminal Block, DB25 Gender Changer *	\$125
61-300026-03	Cable, Communication, DB-25 Plug to DB-9 Socket, 6 ft	\$30
61-100029-03	Cable, IB-131 Daisy Chain, 1 ft	\$30
61-000010-02	Cable, Communication, DB-9 Socket to DB-9 Socket, 6 ft	\$30
20-500013-01	DeviceNet Protocol Box*	\$595
61-000011-02	Cable, MS-820 to IB-131 (also use for MS-3, 4, 9, 710 and MINI Extension)	\$30

*Part is not RoHS compliant.

Power Supplies

Part Number	Description	List Price
97-000002-01	Power Supply, 90-264 VAC,+5VDC, USA/Euro Plug (use with IB-3PC)	\$75
97-100004-15	Power Supply, 90-264 VAC,+24VDC, USA /Euro Plug (Only use with IC-332)	\$125

Mounting and Connectors

Part Number	Description	List Price
98-000048-01	Mounting Arm/Adapter Kit, 4 inch, MS-4	\$70
98-000054-01	Kit, Mounting Stand Base Plate, MS-4	\$30
98-000053-01	Extension Kit, 4 inch, MS-4	\$35
98-000053-02	Extension Kit, 3 inch, MS-4	\$35
98-000060-01	Kit, Bracket, Side Mount, MS-4	\$20
98-000059-01	Kit, Bracket, Angle Mount, MS-4	\$20
98-000057-01	Kit, Bracket, Through Hole Mount, MS-4	\$20
98-000088-01	Kit, Right Angle Mirror, MS-4	\$50
20-610024-01	Trigger Connector, 4-pin Plug	\$30
20-610020-01	Power Connector, 3-pin Socket	\$30

Package Detector/Sensor

Part Number	Description	List Price
99-000017-01	Photo Sensor, Visible, NPN, DARK ON	\$175
99-000017-02	Photo Sensor, Visible, NPN, LIGHT ON	\$175

Software/Manuals

Part Number	Description	List Price
37-000001-01	TOOLS CD, User's Manuals, ESP Software *	\$30
37-000003-01	TOOLS CD, EZ Trax Software **	\$500

* 1 free per order.

** EZ Trax is an accessory.

Note:

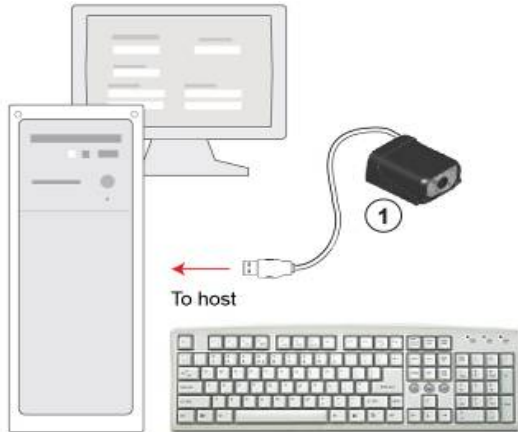
MS-4 Tech References are equal to MS-3 Laser with the exception of USB

Visit the MS-3 Laser section for configuration references

Tech Reference MS-4

USB

This is the basic setup for a single USB MS-4.



System Matrix

<i>Product</i>	<i>Reference No.</i>	<i>Description</i>	<i>List Price</i>
(1) MS-4 USB	FIS-0004-XXXXG	Imager Model	Varies
Mounting Arm/Adapter Kit	98-000048-01	4" (102mm) Mounting Kit	\$70
Mounting Plate	98-000054-01	Mounting Stand Base Plate, Small	\$30
EZ Trax Software	37-000003-01	Image Capture and Storage Software	\$500
User's Manuals, ESP Software	37-000001-01	TOOLS CD, User's Manuals, ESP Software *	\$30

* 1 free per order.

Quadrus MINI Family of Imagers



Narrow-bar-width		Field of View (maximum)	Read Range (using auto-focus)
1D	2D		
Ultra High Density			
0.0033 " (0.08 mm)	0.005 " (0.13 mm)	2.2 " (56 mm)	2.0 " to 4.4 " (51 mm to 112 mm)
0.0075 " (0.19 mm)	0.010 " (0.25 mm)	3.6 " (91 mm)	1.8 " to 6.7 " (46 mm to 170 mm)
0.015 " (0.38 mm)	0.020 " (0.51 mm)	4.0 " (102 mm)	1.9 " to 7.7 " (48 mm to 196 mm)
High Density			
0.005 " (0.13 mm)	0.0075 " (0.19 mm)	3.1 " (79 mm)	1.5 " to 6.0 " (38 mm to 152 mm)
0.0075 " (0.19 mm)	0.010 " (0.25 mm)	4.2 " (107 mm)	1.2 " to 7.0 " (30 mm to 178 mm)
0.015 " (0.38 mm)	0.020 " (0.51 mm)	5.6 " (142 mm)	0.9 " to 9.0 " (23 mm to 229 mm)
Standard Density			
0.005 " (0.13 mm)	0.0075 " (0.19 mm)	3.2 " (81 mm)	1.8 " to 3.5 " (46 mm to 89 mm)
0.0075 " (0.19 mm)	0.010 " (0.25 mm)	4.2 " (107 mm)	1.6 " to 5.0 " (41 mm to 127 mm)
0.010 " (0.25 mm)	0.015 " (0.38 mm)	6.8 " (173 mm)	1.4 " to 7.5 " (36 mm to 191 mm)
0.020 " (0.51 mm)	0.030 " (0.76 mm)	9.5 " (241 mm)	1.0 " to 10.0 " (25 mm to 254 mm)

Listed above is the read range chart for Quadrus MINI and MINI ESD Safe Imagers. See MINI 3 and Velocity section for additional specifications

Quadrus MINI Imagers

Part Number	Description	List Price
FIS-6300-0001G	Megapixel Imager, Standard Density, Serial, 5VDC	\$2,180
FIS-6300-0002G	Megapixel Imager, High Density, Serial, 5VDC	\$2,180
FIS-6300-0003G	Megapixel Imager, Ultra High Density, Serial, 5VDC	\$2,180
FIS-6300-0013G	Megapixel Imager, Standard Density, USB+I/O,5VDC *	\$2,260
FIS-6300-0014G	Megapixel Imager, High Density, USB+I/O,5VDC *	\$2,260
FIS-6300-0015G	Megapixel Imager, Ultra High Density, USB+I/O,5VDC *	\$2,260

* Includes required power supply.

Quadrus MINI ESD Safe



Performance specifications match Quadrus MINI

Quadrus MINI ESD Safe Imagers

Part Number	Description	List Price
FIS-6300-1001G	Quadrus MINI, Standard Density, ESD Safe, RS-232/422/485, 5VDC	\$2,990
FIS-6300-1002G	Quadrus MINI, High Density, ESD Safe, RS-232/422/485, 5VDC	\$2,990
FIS-6300-1003G	Quadrus MINI, Ultra High Density, ESD Safe, RS-232/422/485, 5VDC	\$2,990
FIS-6300-1004G	Quadrus MINI, Standard Density, ESD Safe, USB, 5VDC*	\$3,080
FIS-6300-1005G	Quadrus MINI, High Density, ESD Safe, USB, 5VDC*	\$3,080
FIS-6300-1006G	Quadrus MINI, Ultra High Density, ESD Safe, USB, 5VDC*	\$3,080

Quadrus MINI Velocity



Narrow-bar-width		Field of View (maximum)	Read Range (using autofocus)
1D	2D		
Ultra High Density			
.0033" (0.08 mm)	.005" (.13 mm)	1.1" (29 mm)	1.9 to 3.0" (48 mm to 76 mm)
.0005" (0.13 mm)	.075" (1.9 mm)	1.8" (45 mm)	1.8 to 5.0" (46 mm to 127 mm)
.010" (0.25 mm)	.015" (.38 mm)	2.5" (64 mm)	1.6 to 7.0" (41 mm to 178 mm)
Standard Density			
.005" (0.13 mm)	.0075" (.19 mm)	2.7" (69 mm)	1.7 to 3.4" (43 mm to 86 mm)
.0075" (0.19 mm)	.010" (.25 mm)	3.7" (93 mm)	1.6 to 5.0" (41 mm to 127mm)
.010" (0.25 mm)	.015" (.38 mm)	4.7" (118 mm)	1.4 to 8.0" (36 mm to 203 mm)
.020" (0.51 mm)	.030" (.76 mm)	5.3" (136 mm)	1.3 to 9.3" (33 mm to 236 mm)

Subject to change

Quadrus MINI Velocity Imagers

Part Number	Description	List Price
FIS-6300-3001G	Quadrus MINI Velocity, Standard Density, Serial, 5VDC	\$2,480
FIS-6300-3002G	Quadrus MINI Velocity, Ultra High Density, Serial, 5VDC	\$2,480
FIS-6300-3009G	Quadrus MINI Velocity, Standard Density, USB+I/O, 5VDC *	\$2,560
FIS-6300-3010G	Quadrus MINI Velocity, Ultra High Density, USB+I/O, 5VDC *	\$2,560

* Includes required power supply.

Quadrus MINI 3 Imager



Narrow-bar-width		Field of View (maximum)	Read Range (using autofocus)
1D	2D		
Micro Density			
.0028" (.07mm)	.0033" (.08 mm)	1.2" (30.4 mm)	1.9 to 2.0" (48.3 mm to 50.8 mm)
.0033" (.08 mm)	.005" (.13 mm)	4" (101.6 mm)	1.9 to 5.1" (48.3 mm to 129.5 mm)
.0075" (.19 mm)	.010" (.25 mm)	4.5" (114.3 mm)	1.7 to 5.6" (43.2 mm to 142.2 mm)
.015" (.38 mm)	.020" (.51 mm)	5.0" (127 mm)	1.7 to 6" (43.2 mm to 152.4 mm)
Standard Density			
.0033" (.08 mm)	.005" (.13 mm)	3.2" (81.3 mm)	1.9 to 3" (48 mm to 76.2 mm)
.005" (.13 mm)	.0075" (.19 mm)	5.0" (127 mm)	1.8 to 4.8" (46 mm to 121.9 mm)
.0075" (.19 mm)	.010" (.25 mm)	6.2" (157.5 mm)	1.6 to 6.5" (41 mm to 165.1 mm)
.010" (.25 mm)	.015" (.38 mm)	8.5" (215.9 mm)	1.4 to 8.5" (36 mm to 215.9 mm)
.020" (.51 mm)	.030" (.76 mm)	9.5" (241 mm)	1.0 to 10" (25 mm to 254 mm)

Subject to change

Quadrus MINI 3 Imagers

Part Number	Description	List Price
FIS-6300-2001G	3 Megapixel Imager, Standard Density, Serial, 5VDC	\$2,860
FIS-6300-2002G	3 Megapixel Imager, Micro Density, Serial, 5VDC	\$2,860
FIS-6300-2009G	3 Megapixel Imager, Standard Density, USB+I/O, 5VDC *	\$2,960
FIS-6300-2010G	3 Megapixel Imager, Micro Density, USB+I/O, 5VDC *	\$2,960

* Includes required power supply.

MINI Hawk High Resolution



Narrow-bar-width		Field of View (maximum)	Read Range (with autofocus)
1D	2D		
Ultra High Density			
.0033" (.08 mm)	.005" (.13 mm)	2.2" (56 mm)	2.0 to 4.4" (51 mm to 112 mm)
.0075" (.19 mm)	.010" (.25 mm)	3.6" (91 mm)	1.9 to 6.7" (48 mm to 170 mm)
.015" (.38 mm)	.020" (.51 mm)	4.0" (102 mm)	1.9 to 7.7" (48 mm to 196 mm)
High Density			
.005" (.13 mm)	.0075" (.19 mm)	3.1" (79 mm)	1.5 to 6.0" (38 mm to 152 mm)
.0075" (.19 mm)	.010" (.25 mm)	4.2" (107 mm)	1.2 to 8.0" (30 mm to 203 mm)
.015" (.38 mm)	.020" (.51 mm)	5.6" (142 mm)	0.9 to 10.5" (23 mm to 267 mm)
Standard Density			
.005" (.13 mm)	.0075" (.19 mm)	3.2" (81 mm)	1.8 to 3.5" (46 mm to 89 mm)
.0075" (.19 mm)	.010" (.25 mm)	4.2" (107 mm)	1.6 to 5.0" (41 mm to 127 mm)
.010" (.25 mm)	.015" (.38 mm)	6.8" (173 mm)	1.4 to 7.5" (36 mm to 191 mm)
.020" (.51 mm)	.030" (.76 mm)	9.5" (241 mm)	1.0 to 11.0" (25 mm to 279 mm)

Subject to change

MINI Hawk High Resolution

Part Number	Description	List Price
FIS-6300-4001G	MINI Hawk High Res, Standard Density, Serial, 5VDC	2290
FIS-6300-4002G	MINI Hawk High Res, High Density, Serial, 5VDC	2290
FIS-6300-4003G	MINI Hawk High Res, Ultra High Density, Serial, 5VDC	2290
FIS-6300-4004G	MINI Hawk High Res, Standard Density, USB+I/O, 5VDC*	2370
FIS-6300-4005G	MINI Hawk High Res, High Density, USB+I/O, 5VDC*	2370
FIS-6300-4006G	MINI Hawk High Res, Ultra High Density, USB+I/O, 5VDC*	2370

MINI Hawk High Speed



Narrow-bar-width		Field of View (maximum)	Read Range (with autofocus)
1D	2D		
Ultra-High Density			
.0033" (.08 mm)	.005" (.13 mm)	1.6" (40 mm)	1.9 to 4.4" (47 mm to 110 mm)
.0075" (.19 mm)	.010" (.25 mm)	2.5" (64 mm)	1.7 to 6.7" (42 mm to 170 mm)
.015" (.38 mm)	.020" (.51 mm)	2.9" (74 mm)	1.5 to 8.0" (38 mm to 203 mm)
Standard Density			
.005" (.13 mm)	.0075" (.19 mm)	2.8" (72 mm)	1.6 to 4.4" (41 mm to 112 mm)
.0075" (.19 mm)	.010" (.25 mm)	3.8" (97 mm)	1.5 to 6.2" (38 mm to 157 mm)
.010" (.25 mm)	.015" (.38 mm)	4.7" (118 mm)	1.4 to 7.6" (36 mm to 193 mm)
.020" (.51 mm)	.030" (.76 mm)	6.2" (158 mm)	1.3 to 10.0" (33 mm to 254 mm)

Subject to change

MINI Hawk High Speed Imagers

Part Number	Description	List Price
FIS-6300-5001G	MINI Hawk High Speed, Standard Density, Serial, 5VDC	\$2,590
FIS-6300-5002G	MINI Hawk High Speed, Ultra High Density, Serial, 5VDC	\$2,590
FIS-6300-5003G	MINI Hawk High Speed, Standard Density, USB+I/O, 5VDC*	\$2,670
FIS-6300-5004G	MINI Hawk High Speed, Ultra High Density, USB+I/O, 5VDC*	\$2,670

* Includes required power supply.

Note:

Quadrus MINI Tech References are equal to MS-3 Laser with the exception of USB

Visit the MS-3 Laser section for configuration references

Accessories

Part Number	Description	List Price
FIS-0210-0001G	MS-Connect 210, Connectivity Box with Display	\$650
FIS-0210-0002G	MS-Connect 210, Connectivity Box	\$430
FIS-0210-0003G	MS-Connect 210, Connectivity Box with Display and Ethernet	\$850
FIS-0210-0004G	MS-Connect 210, Connectivity Box with Ethernet	\$650
61-000127-02	Cable, Quadrus MINI to MS-Connect 210, 6 ft	\$100
FIS-0001-0035G	IC-332, Connects MINI to IB-131 (Note: replaces IC-331, FIS-0001-0029)*	\$150
99-000018-01	IB-131, Interface Box	\$150
98-000039-02	Kit, IB-152, DB25 Plug Terminal Block, DB25 Gender Changer *	\$125
61-300026-03	Cable, Communication, DB-25 Plug to DB-9 Socket, 6 ft	\$30
61-100029-03	Cable, IB-131 Daisy Chain, 1 ft	\$30
20-500013-01	DeviceNet Protocol Box * 1	\$595
61-000011-02	Cable, MS-820 to IB-131 (also use for MS-3, 4, 9, 710 and MINI Extension)	\$30
61-000151-01	Cable, MINI USB, I/O Breakout, Flying Leads, 3ft	\$30
98-000098-01	Kit, Quadrus MINI Diffuser	\$50

* Works with IB-131. 1 Part is not RoHS compliant.

Power Supply

Part Number	Description	List Price
97-100004-15	Power Supply, 90-264 VAC,+24VDC, USA /Euro Plug (Only use with IC-332)	\$125

Mounting and Connectors

Part Number	Description	List Price
98-000048-01	Mounting Arm/Adapter Kit, 4 inch, Quadrus MINI	\$70
98-000054-01	Kit, Mounting Stand Base Plate, Quadrus MINI	\$30
98-000053-01	Extension Kit, 4 inch, Quadrus MINI	\$35
98-000053-02	Extension Kit, 3 inch, Quadrus MINI	\$35
98-000060-01	Kit, Bracket, Side Mount, Quadrus MINI	\$20
98-000059-01	Kit, Bracket, Angle Mount, Quadrus MINI	\$20
98-000057-01	Kit, Bracket, Through Hole Mount, Quadrus MINI	\$20
98-000088-01	Kit, Right Angle Mirror	\$50
20-610024-01	Trigger Connector for IB-131, 4-pin Plug	\$30
20-610020-01	Power Connector for IB-131, 3-pin Socket	\$30

Package Detector/Sensor

Part Number	Description	List Price
99-000017-01	Photo Sensor, Visible, NPN, Dark On	\$175
99-000017-02	Photo Sensor, Visible, NPN, Light On	\$175
99-000019-01	Photo Sensor, Visible, NPN, Light On, 5VDC	\$175

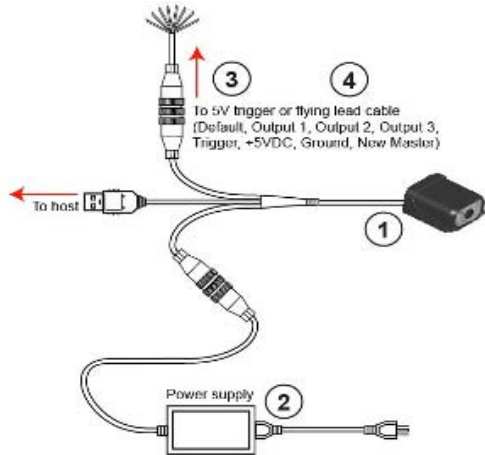
Software/Manuals

Part Number	Description	List Price
37-000001-01	TOOLS CD, User's Manuals, ESP Software *	\$30
37-000003-01	TOOLS CD, EZ Trax Software **	\$500

Tech Reference *Quadrus MINI*

USB

This is the basic setup for a single USB (Second Generation) Quadrus MINI.



System Matrix

Product	Reference No.	Description	List Price
(1) Quadrus MINI	FIS-6300-XXXXG	MINI Imager, USB	Varies
(2) Power Supply	97-000002-02	Power Supply , 90-264 VAC, +5VDC *	Incl.
(3) 5v Object Detector	99-000019-01	Photo Sensor, Visible, NPN, Light On, 5VDC	\$175
(4) Flying Lead Cable	61-000151-01	Cable, MINI USB, I/O Breakout, Flying Leads, 3ft	\$30
Mounting Arm/Adapter Kit	98-000048-01	4" (102mm) Mounting Kit	\$70
Mounting Plate	98-000054-01	Mounting Stand Base Plate, Small	\$30
EZ Trax Software	37-000003-01	Image Capture and Storage Software	\$500
User's Manuals, ESP Software	37-000001-00	TOOLS CD, User's Manuals, ESP Software **	\$30
Replacement Power Supply	97-000002-02	Power Supply , 90-264 VAC, +5VDC *	\$75

*Required power supply included with each reader.

** 1 free per order.

HawkEye 1500



**Hawkeye 1510 Fixed Focus
w/Brightfield**

**Hawkeye 1525 Fixed Focus
w/Darkfield**

Type	HawkEye 1510	HawkEye 1515	HawkEye 1525
Optical resolution	640 x 480 pixels		
Field of view (H x V) at a definite working distance	Depends on lens selection	HawkEye 1515MD: 1.3" x 1.0" at 4.0" (3.30 cm x 2.54 cm at 10.16 cm) 1.55" x 1.19" at 5.0" (3.94 cm x 3.02 cm at 12.70 cm) 1.80" x 1.36" at 6.0" (4.57 cm x 3.45 cm at 15.24 cm) HawkEye 1515HD: 0.87" x 0.67" at 2.5" (2.21 cm x 1.70 cm at 6.35 cm) 1.0" x 0.75" at 3.0" (2.54 cm x 1.90 cm at 7.62 cm) 1.11" x 0.85" at 3.5" (2.82 cm x 2.16 cm at 8.89 cm) HawkEye 1515SHD: 0.50" x 0.38" at 3.0" (1.27 cm x 0.97 cm at 7.62 cm) 0.55" x 0.42" at 3.5" (1.40 cm x 1.14 cm at 8.89 cm) 0.60" x 0.46" at 4.0" (1.55 cm x 1.07 cm at 10.16 cm) HawkEye 1515UHD: 0.24" x 0.18" at 2.13" (0.61 cm x 0.46 cm at 5.41 cm) 0.25" x 0.19" at 2.25" (0.64 cm x 0.48 cm at 5.71 cm) 0.26" x 0.20" at 2.38" (0.66 cm x 0.51 cm at 6.05 cm) HawkEye 1515LHD: 1.0" x 0.75" at 5.0" ± 0.5" (2.54 cm x 1.90 cm at 12.7 cm ± 1.27 cm)	HawkEye 1525HD: 0.87" x 0.67" at 2.5" (2.21 cm x 1.70 cm at 6.35 cm) 1.0" x 0.75" at 3.0" (2.54 cm x 1.90 cm at 7.62 cm) 1.11" x 0.85" at 3.5" (2.82 cm x 2.16 cm at 8.89 cm) HawkEye 1525SHD: 0.50" x 0.38" at 3.0" (1.27 cm x 0.97 cm at 7.62 cm) 0.55" x 0.42" at 3.5" (1.40 cm x 1.14 cm at 8.89 cm) 0.60" x 0.46" at 4.0" (1.55 cm x 1.07 cm at 10.16 cm) HawkEye 1525UHD: 0.24" x 0.18" at 2.13" (0.61 cm x 0.46 cm at 5.41 cm) 0.25" x 0.19" at 2.25" (0.64 cm x 0.48 cm at 5.71 cm) 0.26" x 0.20" at 2.38" (0.66 cm x 0.51 cm at 6.05 cm)
Operating Distance ⁽³⁾	Depends on lens selection	HawkEye 1515MD: 4.0" ... 6.0" (10.16 cm ... 15.24 cm) HawkEye 1515HD: 2.5" ... 3.5" (6.35 cm to 8.89 cm) HawkEye 1515SHD: 3.0" ... 4.0" (7.62 cm ... 10.16 cm) HawkEye 1515UHD: 2.125" ... 2.375" (5.50 cm ... 6.03 cm)	HawkEye 1525HD: 2.5" ... 3.5" (6.35 cm ... 8.89 cm) HawkEye 1525SHD: 3.0" ... 4.0" (7.62 cm ... 10.16 cm) HawkEye 1525UHD: 2.125" ... 2.375" (5.50 cm ... 6.03 cm)
Minimum Element Size	Depends on lens selection	HawkEye 1515MD: 1D: 0.005" (0.12 mm), 2D: 0.010" (0.25 mm) HawkEye 1515HD: 1D: 0.003" (0.07 mm), 2D: 0.006" (0.15 mm) HawkEye 1515SHD: 1D: 0.0015" (0.04 mm), 2D: 0.003" (0.07 mm) HawkEye 1515UHD: 1D: 0.0007" (0.02 mm), 2D: 0.0013" (0.03 mm)	HawkEye 1525HD: 1D: 0.003" (0.07 mm), 2D: 0.006" (0.15 mm) HawkEye 1525SHD: 1D: 0.0015" (0.04 mm), 2D: 0.003" (0.07 mm) HawkEye 1525UHD: 1D: 0.0007" (0.02 mm), 2D: 0.0013" (0.03 mm)

⁽³⁾Working distance measured from last physical element to part.

HawkEye 1500

Part Number	Description	List Price
FIS-HE15-0CS0	HAWKEYE 1510 DPM READER CS/C MOUNT LENS*	\$2,995
FIS-HE15-1HD0	HAWKEYE 1515HD DPM READER ON AXIS LIGHT	\$3,495
FIS-HE15-1LD0	HAWKEYE 1515LHD DPM READER ON AXIS LIGHT	\$3,495
FIS-HE15-1MD0	HAWKEYE 1515MD DPM READER ON AXIS LIGHT	\$3,495
FIS-HE15-1SD0	HAWKEYE 1515SHD DPM READER ON AXIS LIGHT	\$3,495
FIS-HE15-1UD0	HAWKEYE 1515UHD DPM READER ON AXIS LIGHT	\$3,495
FIS-HE15-2HD0	HAWKEYE 1525HD DPM READER DARK FIELD LIGHT	\$3,495
FIS-HE15-2SD0	HAWKEYE 1525SHD DPM READER DARK FIELD LIGHT	\$3,495
FIS-HE15-2UD0	HAWKEYE 1525UHD DPM READER DARK FIELD LIGHT	\$3,495
FIS-HE15-1HV0	HAWKEYE 1515HD DPM VERIFIER ON AXIS LIGHT* ¹	\$4,995
FIS-HE15-1LV0	HAWKEYE 1515LHD DPM VERIFIER ON AXIS LIGHT* ¹	\$4,995
FIS-HE15-1MV0	HAWKEYE 1515MD DPM VERIFIER ON AXIS LIGHT* ¹	\$4,995
FIS-HE15-1SV0	HAWKEYE 1515SHD DPM VERIFIER ON AXIS LIGHT* ¹	\$4,995
FIS-HE15-1UV0	HAWKEYE 1515UHD DPM VERIFIER ON AXIS LIGHT* ¹	\$4,995
FIS-HE15-2CV0	HAWKEYE 1510 DPM VERIFIER CS/C MOUNT LENS* ¹	\$4,495
FIS-HE15-2HV0	HAWKEYE 1525HD DPM VERIFIER DARK FIELD LIGHT* ¹	\$4,995
FIS-HE15-2SV0	HAWKEYE 1525SHD DPM VERIFIER DARK FIELD LIGHT* ¹	\$4,995
FIS-HE15-2UV0	HAWKEYE 1525UHD DPM VERIFIER DARK FIELD LIGHT* ¹	\$4,995
FIS-E1515VLHD	HAWKEYE 1515VLHD VLNG-DEN BRIGHT FIELD READER	\$3,495
FIS-E1515HDXL	HAWKEYE 1515HD WITHOUT LASER	\$3,195

¹ Verifier versions support ISO 16022, ISO15416, Custom Verification, and AIM DPM – 1 – 2006

All HE 15XX readers come with base mount adaptor and serial cable standard. All that is needed is a power supply.

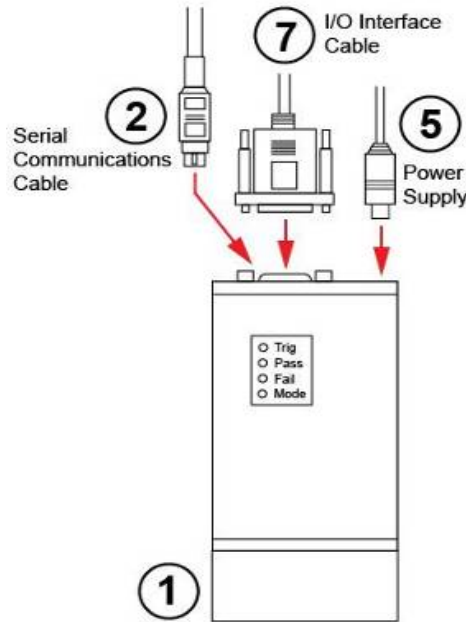
HawkEye 1500 Accessories

Part Number	Description	List Price
98-AC00-0BM5	HAWKEYE 1500 BASE MOUNTING ADAPTER	\$50
98-AC00-0EB0	HAWKEYE 1500 IO EXPANSION BOARD	\$715
98-AC00-0EC5	HAWKEYE 1500 IP65 ENCLOSURE GLASS WINDOW	\$1,643
98-AC00-0EC6	HAWKEYE 1500 IP65 ENCLOSURE PCARB WINDOW	\$1,643
98-AC00-0PC6	HAWKEYE1500 PWR CABLE FLYING LEADS 2 METERS	\$105
98-AC00-0SA0	3 COLOR LIGHT STACK CONNECTS TO HAWKEYE 1500	\$544
98-AC00-0SC0	HAWKEYE 1500 SERIAL COMMUNICATIONS CABLE	\$39
98-HESC010	CABLE, HAWKEYE 1500 SERIAL INTERFACE 10FT	\$45
98-HEDSL	HAWKEYE 1500/1600 DEMO STAND W/LG SHAFT	\$235
98-HE15-0PS0	HAWKEYE 1500 POWER SUPPLY 24V100-250V 50-60 HZ	\$155
98-LG00-0XX0	HAWKEYE 1500 LIGHT - LED RING LIGHT 25.5MM MOUNT *	\$544
98-LG14-0XX0	HAWKEYE 1500 LIGHT MOUNT - DF100 OR DF150 (HELTMA 1L-M) *	\$347
98-LG15-0XX0	HAWKEYE 1500 LIGHT MOUNT- R100 RING (HELTMA 2L-M) *	\$373
98-LG16-0XX0	HAWKEYE 1500 LIGHT MOUNT- R60 RING (HELTMA 3L-M)*	\$315
98-LG17-0XX0	HAWKEYE 1500 LIGHT MOUNT-DOAL 50 (HELTMA 4L-M) *	\$325
98-LG18-0XX0	HAWKEYE 1500 STROBE INTERFACE KIT *	\$1,056
98-HEDS	HAWKEYE DEMO STAND	\$235
98-HECONNPS	HAWKEYE 1500 POWER SUPPLY CONNECTOR	\$22
98-HECONNIO	I/O CONNECTOR & GRND TAB KIT FOR HAWKEYE 1500	\$39
98-HEBMA4	HAWKEYE 15 TO HAWKEYE 1515 BASE MOUNT ADAPTER	\$83
98-99000561	DIN-RAIL MOUNTED EXT I/O TERMINAL BLOCK	\$116
98-96601833	EXTERNAL I/O INTERFACE CABLE 25 FEET	\$82
98-96601832	EXTERNAL I/O INTERFACE CABLE 15 FEET	\$67
98-96601831	EXTERNAL I/O INTERFACE CABLE 10 FEET	\$61
NER-LG03-0XX0	HAWKEYE 1500 LIGHT - DF100 DARK FIELD *	\$563
NER-LG05-0XX0	HAWKEYE 1500 LIGHT - R60V2 RING HAWKEYE 1500 PWR *	\$392
NER-010200913CST	HAWKEYE 1500 LIGHT - DOAL-50 V2, R LED-D,12V-C,MOLEX CON *	\$615
FIS-HEDPMVER-A0	HE DPM VERIFIER LICENSE ONLY *	\$1,500

Tech Reference HE1500

Stand Alone RS232

A single reader is connected directly to the host.



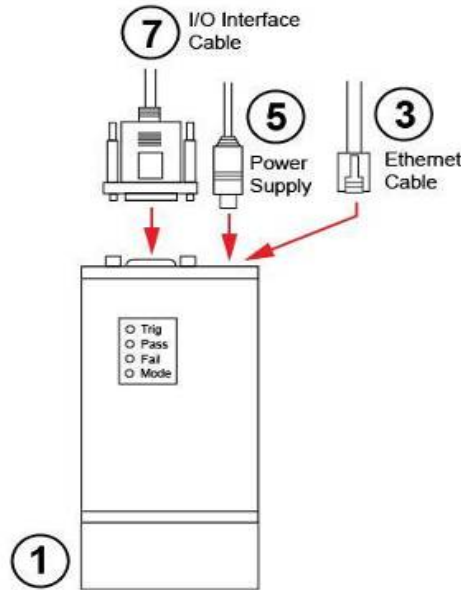
System Matrix

Product	Part Number	Description	List Price
(1) HE1500	FIS-HE15-XXXX	HawkEye 1500 Series Reader or Verifier	Varies
(2) Comm Cable	98-AC00-0SC0	Serial Communications Cable, PS/2-to-9-pin	\$39
(4) Power Supply	98-HE15-0PS0	Power Supply with International Plug Adapters (24V, 100-250V, 50-60 HZ)	\$155
(5) Power Supply Conn	98-HECONNPS	Power Supply Connector	\$22
(6) Power Cable	98-AC00-0PC6	Power Cable, Flying Leads, 2 meters	\$105
(7) I/O Cable	98-96601833	I/O Interface Cable, 25 feet	\$82
	98-96601832	I/O Interface Cable, 15 feet	\$67
	98-96601831	I/O Interface Cable, 10 feet	\$61

Tech Reference HE1500

Stand Alone Ethernet

A single reader is connected directly to the host via Ethernet.



System Matrix

Product	Part Number	Description	List Price
(1) HE1500	FIS-HE15-XXXX	HawkEye 1500 Series Reader or Verifier	Varies
(3) Ethernet Cable	User-Supplied	CAT5 Ethernet Cable	N/A
(4) Power Supply	98-HE15-0PS0	Power Supply with International Plug Adapters (24V, 100-250V, 50-60 HZ)	\$155
(5) Power Supply Conn	98-HECONNPS	Power Supply Connector	\$22
(6) Power Cable	98-AC00-0PC6	Power Cable, Flying Leads, 2 meters	\$105
(7) I/O Cable	98-96601833	I/O Interface Cable, 25 feet	\$82
	98-96601832	I/O Interface Cable, 15 feet	\$67
	98-96601831	I/O Interface Cable, 10 feet	\$61

Quadrus EZ Family of Imagers

Focusable Read Ranges *

(reading data matrix symbols)

	Focal Point	Min. Symbol	Depth of Field	Field of View
Narrow				
Default	4" (102mm)	5 mil (.127mm)	.2" (5mm)	.44" (11mm)
Inside edge	3.5" (89mm)	5 mil (.127mm)	.2" (5mm)	.33" (8mm)
Outside edge	5" (127mm)	7.5 mil (.19mm)	.4" (10mm)	.65" (16mm)
Medium				
Default	4" (102mm)	7.5 mil (.19mm)	.5" (13mm)	.77" (20mm)
Inside edge	2.3" (58mm)	5 mil (.127 mm)	.1" (2.5mm)	.44" (11mm)
Outside edge	10" (254mm)	20 mil (.508mm)	4.2" (107mm)	1.8" (45mm)
Wide				
Default	4" (102mm)	10 mil (.254mm)	1" (25mm)	.9" (24mm)
Inside edge	2" (51mm)	5 mil (.127mm)	.1" (2.5mm)	.5" (12mm)
Outside edge	10" (254mm)	20 mil (.508mm)	4.8" (122mm)	2.2" (55mm)
Extra Wide				
Default	4" (102mm)	15 mil (.381mm)	1.4" (36mm)	1.8" (47mm)
Inside edge	2.5" (64mm)	15 mil (.381mm)	.6" (15mm)	1.3" (32mm)
Outside edge	10" (254mm)	40 mil (1.02mm)	6.8" (173mm)	4.2" (106mm)



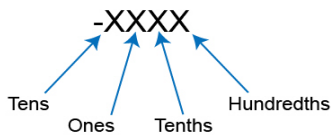
Quadrus EZ Imagers *, **

Part Number	Description	List Price
FIS-6700-0001G-XXXX	Quadrus EZ, CCD, Narrow, RS-232/422/485	\$3,490
FIS-6700-0002G-XXXX	Quadrus EZ, CCD, Medium, RS-232/422/485	\$3,490
FIS-6700-0003G-XXXX	Quadrus EZ, CCD, Wide, RS-232/422/485	\$3,490
FIS-6700-0004G-XXXX	Quadrus EZ, CCD, Extra Wide, RS-232/422/485	\$3,490
FIS-6700-0005G-XXXX	Quadrus EZ, CCD, Narrow, RS-232/422/485, Video I/O	\$3,720
FIS-6700-0006G-XXXX	Quadrus EZ, CCD, Medium, RS-232/422/485, Video I/O	\$3,720
FIS-6700-0007G-XXXX	Quadrus EZ, CCD, Wide, RS-232/422/485, Video I/O	\$3,720
FIS-6700-0008G-XXXX	Quadrus EZ, CCD, Extra Wide, RS-232/422/485, Video I/O	\$3,720
FIS-6700-0009G-XXXX	Quadrus EZ, CCD, Narrow, Ethernet	\$3,490
FIS-6700-0010G-XXXX	Quadrus EZ, CCD, Medium, Ethernet	\$3,490
FIS-6700-0011G-XXXX	Quadrus EZ, CCD, Wide, Ethernet	\$3,490
FIS-6700-0012G-XXXX	Quadrus EZ, CCD, Extra Wide, Ethernet	\$3,490
FIS-6700-0013G-XXXX	Quadrus EZ, CCD, Narrow, Ethernet, Video I/O	\$3,720
FIS-6700-0014G-XXXX	Quadrus EZ, CCD, Medium, Ethernet, Video I/O	\$3,720
FIS-6700-0015G-XXXX	Quadrus EZ, CCD, Wide, Ethernet, Video I/O	\$3,720
FIS-6700-0016G-XXXX	Quadrus EZ, CCD, Extra Wide, Ethernet, Video I/O	\$3,720

* **NOTE:** Customer must specify focal distance when ordering.

** Focal point must be specified on purchase order. See the "Quadrus EZ Focus Options" chart for focal options.

The following diagram is a guideline for calling out the focal point:



Example:

A focal distance of 4 inches = FIS-6700-0010-0400

A focal distance of 3.75 inches = FIS-6700-0010-0375

Accessories

Part Number	Description	List Price
FIS-0210-0001G	MS-Connect 210, Connectivity Box with Display	\$650
FIS-0210-0002G	MS-Connect 210, Connectivity Box	\$430
FIS-0210-0003G	MS-Connect 210, Connectivity Box with Display and Ethernet	\$850
FIS-0210-0004G	MS-Connect 210, Connectivity Box with Ethernet	\$650
61-000122-01	Cable, To MS-Connect 210, Host RS-422/485 for Multidrop, 6 ft	\$100
61-000123-01	Cable, To MS-Connect 210, Host/AUX RS-232, for Daisy Chain 210 to 210, 6 ft	\$100
61-000124-01	Cable, Quadrus EZ with onboard Ethernet to MS-Connect 210, 6 ft	\$100
98-000096-01	Kit, Monitor 7" TFT LCD and Video I/O Cable, 10 feet	\$645
98-000040-02	Interface Box Kit, IB-150 and Quadrus EZ Cable, 6 feet	\$175
99-000009-02	Interconnectivity, IB-151, RS-232 - Ethernet TCP/IP	\$100
98-000039-02	Kit, IB-152, DB25 Plug Terminal Block, DB25 Gender Changer	\$125
FIS-0001-0030G	IB-3PC Keyboard Wedge/Interface Box	\$100
61-000034-02	Cable, Comm/Serial , DB25 Socket to DB9 Socket, 6 feet	\$30
61-000033-02	Cable, Video I/O, 10 feet	\$30
61-100029-03	Cable, Daisy Chain, 1 ft	\$30
61-000040-01	Cable, Crossover, Ethernet, Cat 5, 10 ft	\$30
20-500013-01	DeviceNet Protocol Box ¹	\$595
98-000036-01	Kit, Right Angle-Up Mirror	\$75
98-000035-04	Quadrus EZ Demo Kit (hard case)	\$1,370
98-000080-01	Kit, YAG Filter	\$250
98-000051-01	IC-3USB, USB Conversion Kit	\$75

¹ Part is not RoHS compliant.

Power Supply

Part Number	Description	List Price
97-100004-15	Power Supply, 90-264 VAC, 24VDC, USA /Euro Plug	\$125

Mounting and Connectors

Part Number	Description	List Price
98-000020-01	Mounting Arm/Adapter Kit, Quadrus EZ, 6 inch	\$90
98-000037-01	Extension Kit, All Scanners', 6 inch	\$55
98-000054-01	Kit, Mounting Stand Base Plate, Small	\$30
98-000046-01	Kit, Base plate	\$40
20-610024-01	Trigger Connector, 4-pin Plug (for self-wiring)	\$30
20-610020-01	Power Connector, 3-pin Socket (for self-wiring)	\$30

Package Detector/Sensor

Part Number	Description	List Price
99-000017-01	Photo Sensor, Visible, NPN, DARK ON	\$175
99-000017-02	Photo Sensor, Visible, NPN, LIGHT ON	\$175

Software / Manuals

Part Number	Description	List Price
37-000001-01	TOOLS CD, User's Manuals, ESP Software *	\$30
37-000003-01	TOOLS CD, EZ Trax Software **	\$500

* 1 free per order., ** EZ Trax is an accessory.

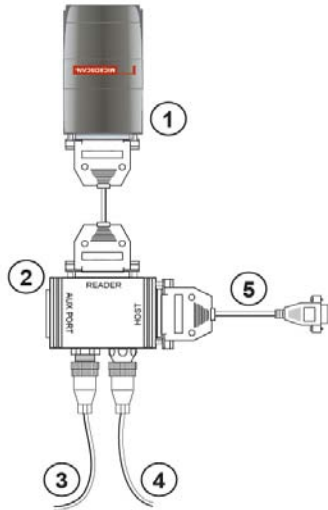
Quadrus EZ Focus Options

Focal Distance		Field of View		Depth of Field		Symbol Element Size	
Inches	mm	Inches	mm	Inches	mm	Inches	mm
Narrow Lens							
3.50	88.9	0.33	8.4	0.20	5.1	0.0050	0.127
3.75	95.3	0.39	9.9	0.20	5.1	0.0050	0.127
4.00	101.6	0.44	11.2	0.20	5.1	0.0050	0.127
4.25	108.0	0.49	12.4	0.20	5.1	0.0050	0.127
4.50	114.3	0.55	14.0	0.20	5.1	0.0050	0.127
4.75	120.7	0.59	15.0	0.40	10.2	0.0075	0.191
5.00	127.0	0.65	16.5	0.40	10.2	0.0075	0.191
Medium Lens							
2.25	57.2	0.44	11.2	0.10	2.5	0.0050	0.127
3.00	76.2	0.59	15.0	0.50	12.7	0.0075	0.191
3.50	88.9	0.68	17.3	0.50	12.7	0.0075	0.191
4.00	101.6	0.77	19.6	0.50	12.7	0.0075	0.191
5.00	127.0	0.94	23.9	1.00	25.4	0.0100	0.254
6.00	152.4	1.12	28.4	1.00	25.4	0.0100	0.254
7.00	177.8	1.30	33.0	2.20	55.9	0.0150	0.381
8.00	203.2	1.49	37.8	2.50	63.5	0.0150	0.381
9.00	228.6	1.63	41.4	2.60	66.0	0.0150	0.381
10.00	254.0	1.78	45.2	4.20	106.7	0.0200	0.508
Wide Lens							
2.00	50.8	0.49	12.4	0.10	2.5	0.0050	0.127
3.00	76.2	0.72	18.3	0.50	12.7	0.0075	0.191
4.00	101.6	0.93	23.6	1.00	25.4	0.0100	0.254
5.00	127.0	1.13	28.7	2.00	50.8	0.0150	0.381
6.00	152.4	1.35	34.3	2.20	55.9	0.0150	0.381
7.00	177.8	1.56	39.6	2.80	71.1	0.0150	0.381
8.00	203.2	1.76	44.7	4.20	106.7	0.0200	0.508
9.00	228.6	1.96	49.8	4.20	106.7	0.0200	0.508
10.00	254.0	2.17	55.1	4.80	121.9	0.0200	0.508
Extra Wide Lens (for 2D symbols)							
2.50	63.5	1.26	32.0	1.00	25.4	0.0150	0.381
3.00	76.2	1.45	36.8	1.00	25.4	0.0150	0.381
4.00	101.6	1.84	46.7	1.00	25.4	0.0150	0.381
5.00	127.0	2.22	56.4	2.00	50.8	0.0200	0.508
6.00	152.4	2.58	65.5	3.60	91.4	0.0300	0.762
7.00	177.8	2.94	74.7	4.20	106.7	0.0300	0.762
8.00	203.2	3.33	84.6	4.20	106.7	0.0300	0.762
9.00	228.6	3.70	94.0	5.80	147.3	0.0400	0.1016
10.00	254.0	4.18	106.2	6.00	152.4	0.0400	0.1016
Extra Wide Linear Lens (for linear symbols)							
2.50	63.5	1.26	32.0	0.60	15.2	0.0075	0.191
3.00	76.2	1.45	36.8	1.10	27.9	0.0100	0.254
4.00	101.6	1.84	46.7	1.40	35.6	0.0100	0.254
5.00	127.0	2.20	55.9	2.80	71.1	0.0150	0.381
6.00	152.4	2.60	66.0	3.00	76.2	0.0150	0.381
7.00	177.8	2.96	75.2	3.80	96.5	0.0200	0.508
8.00	203.2	3.33	84.6	3.80	96.5	0.0200	0.508
9.00	228.6	3.73	94.7	5.00	127.0	0.0200	0.508
10.00	254.0	4.14	105.2	6.80	172.7	0.0300	0.762

Tech Reference *Quadrus EZ*

Stand Alone

A single reader is connected directly to the host. This is the basic setup for a single Quadrus EZ.



System Matrix

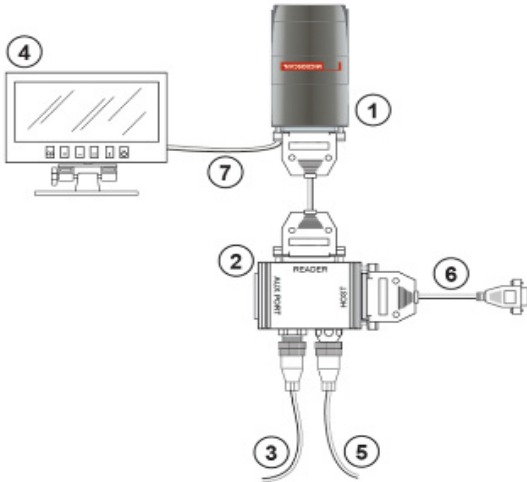
Product	Reference No.	Description	List Price
(1) Quadrus EZ	FIS-6700-XXXXG	Quadrus EZ Reader	Varies
(2) IB-150 Kit	98-000040-02	IB-150 Interface and Reader Cable, 6 feet	\$175
(3) Power Supply	97-100004-15	Power Supply, 90-264 VAC, 24VDC USA /Euro Plug	\$125
(4) Object Detector (If applicable)	99-000017-01	Photo Sensor, Visible, NPN, DARK ON	\$175
(5) IB-150 Host Cable	61-000034-02	Cable, 25 pin Socket to 9 pin Socket	\$30
Quadrus EZ Stand	98-000020-01	6 inch (152 mm) Mounting/Adapter Kit	\$90
Mounting Plate	98-000054-01	Mounting Stand Base Plate, Small	\$30
EZ Trax Software	37-000003-01	Image Capture and Storage Software	\$500
User's Manuals, ESP Software	37-000001-01	TOOLS CD, User's Manuals, ESP Software *	\$30
Support	COV-6700-NX	24-hr Guarantee for Replacement Scanner/ 1yr. Term **	\$400

* 1 free per order.

Tech Reference *Quadrus EZ*

**Stand Alone
with Monitor**

A single reader is connected directly to the host with optional external Monitor (110 VAC only).



System Matrix

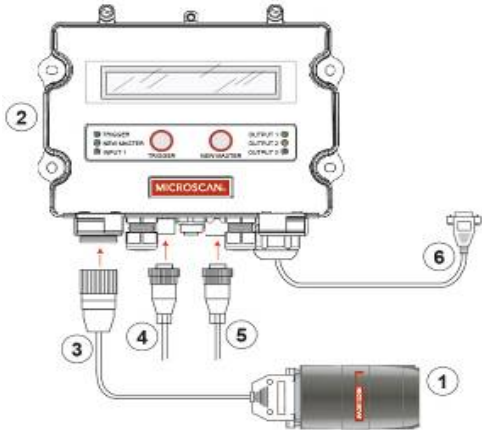
Product	Reference No.	Description	List Price
(1) Quadrus EZ	FIS-6700-XXXXG	Quadrus EZ Reader (Video I/O option)	Varies
(2) IB-150 Kit	98-000040-02	IB-150 Interface and Reader Cable, 6 feet	\$175
(3) Power Supply	97-100004-15	Power Supply, 90-264 VAC, 24VDC USA /Euro Plug	\$125
(4) Monitor	98-000096-01	Kit, Monitor 7" TFT LCD and Video I/O Cable, 10 feet	\$645
(5) Object Detector (If applicable)	99-000017-01	Photo Sensor, Visible, NPN, DARK ON	\$175
(6) IB-150 Host Cable	61-000034-02	Cable, 25 pin Socket to 9 pin Socket, 6 feet	\$30
(7) Video Cable	61-000033-02	Video I/O Cable, 10 feet	\$30
Quadrus EZ Stand	98-000020-01	6 inch (152 mm) Mounting/Adapter Kit	\$90
Mounting Plate	98-000054-01	Mounting Stand Base Plate, Small	\$30
EZ Trax Software	37-000003-01	Image Capture and Storage Software	\$500
User's Manuals, ESP Software	37-000001-01	TOOLS CD, User's Manuals, ESP Software *	\$30

* 1 free per order.

Tech Reference *Quadrus EZ*

**Stand Alone
with MS-Connect 210**

This is the basic setup for a single Quadrus EZ and MS-Connect 210.



System Matrix

Product	Reference No.	Description	List Price
(1) Quadrus EZ	FIS-6700-XXXXG	Quadrus EZ Reader	Varies
(2) MS-Connect 210	FIS-0210-000XG	Connectivity Box *	Varies
(3) Reader Cable	61-000122-01	Cable, To MS-Connect 210, Host RS-422/485 for Multidrop, 6 ft †	\$100
(4) Power Supply	97-100004-15	Power Supply, 90-264 VAC, 24VDC USA /Euro Plug	\$125
(5) Object Detector	99-000017-02	Photo Sensor, Visible, NPN, LIGHT ON	\$175
(6) Host Cable	61-000105-01	Pre-stripped RS-232, 9-pin host cable **	\$30
EZ Trax Software	37-000003-01	Image Capture and Storage Software	\$500
User's Manuals, ESP Software	37-000001-01	TOOLS CD, User's Manuals, ESP Software ***	\$30

* See MS-Connect Series section for a complete listing of Accessories

** 1 free host cable is included with each MS-Connect 210

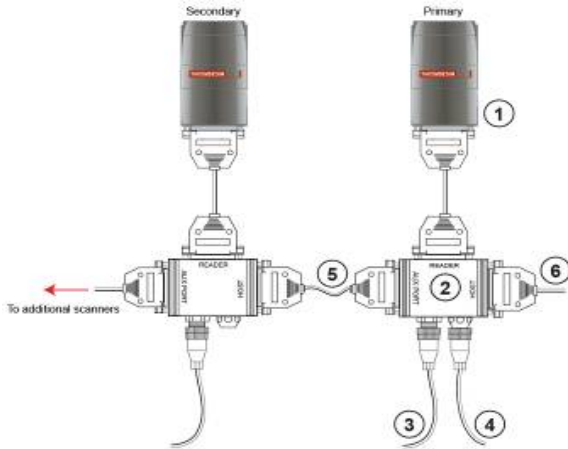
*** 1 free per order.

† Choose one cable.

Tech Reference *Quadrus EZ*

Daisy Chain

A primary reader is linked directly to the host. Secondary readers (up to 9) are linked in tandem. data is sent from each reader directly to the host.



System Matrix

Product	Reference No.	Description	List Price
(1) Quadrus EZ	FIS-6700-XXXXG	Quadrus EZ Reader (Up to 10)	Varies
(2) IB-150 Kit	98-000040-02	IB-150 Interface and Reader Cable, 6 feet	\$175
(3) Power Supply	97-100004-15	Power Supply, 90-264 VAC, 24VDC USA /Euro Plug	\$125
(4) Object Detector (If applicable)	99-000017-01	Photo Sensor, Visible, NPN, DARK ON	\$175
(5) Daisy Chain Cable	61-100029-03	Cable, Connects IB-150 to IB-150, 1 ft (.3 meters)	\$30
(6) IB-150 Host Cable	61-000034-02	Cable, 25 pin Socket to 9 pin Socket, 6 feet ***	\$30
Quadrus EZ Stand	98-000020-01	6 inch (152 mm) Mounting/Adapter Kit	\$90
Mounting Plate	98-000054-01	Mounting Stand Base Plate, Small	\$30
EZ Trax Software	37-000003-01	Image Capture and Storage Software	\$500
User's Manuals, ESP Software	37-000001-01	TOOLS CD, User's Manuals, ESP Software *	\$30

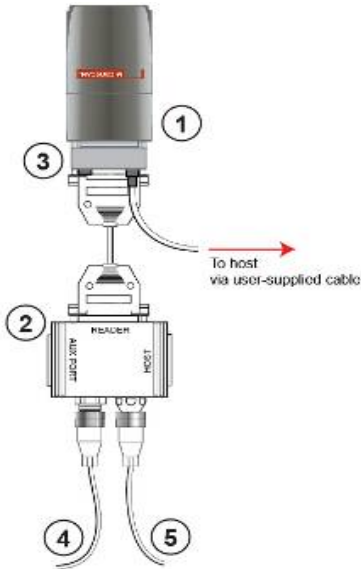
* 1 free per order.

*** If using another communications cable, make sure it does not have RTS/CTS connected to the host.

Tech Reference *Quadrus EZ*

Ethernet

The reader communicates with the host using an Ethernet connection.



System Matrix

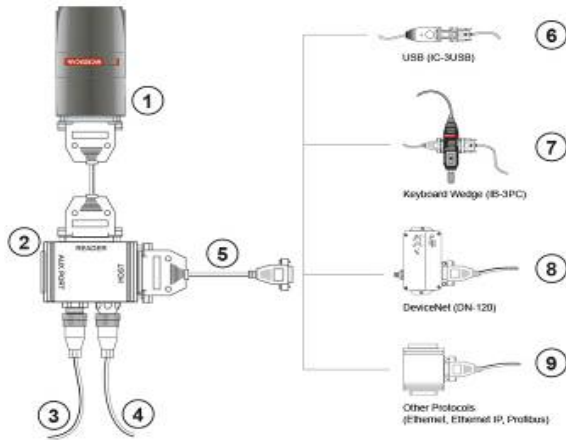
Product	Reference No.	Description	List Price
(1) Quadrus EZ	FIS-6700-XXXXG	Quadrus EZ Reader (Up to 10)	Varies
(2) IB-150 Kit	98-000040-02	IB-150 Interface and Reader Cable, 6 feet	\$175
(3) IB-151 Kit	99-000009-02	Interconnectivity, IB-151, RS-232 - Ethernet TCP/IP	\$100
(4) Power Supply	97-100004-15	Power Supply, 90-264 VAC, 24VDC USA /Euro Plug	\$125
(5) Object Detector (If applicable)	99-000017-01	Photo Sensor, Visible, NPN, DARK ON	\$175
Quadrus EZ Stand	98-000020-01	6 inch (152 mm) Mounting Arm/Adapter Kit	\$90
Mounting Plate	98-000054-01	Mounting Stand Base Plate, Small	\$30
EZ Trax Software	37-000003-01	Image Capture and Storage Software	\$500
User's Manuals, ESP Software	37-000001-01	TOOLS CD, User's Manuals, ESP Software *	\$30

* 1 free per order.

Tech Reference *Quadrus EZ*



Optional Interface Protocols



System Matrix

Product	Reference No.	Description	List Price
(1) Quadrus EZ	FIS-6700-XXXXG	Quadrus EZ Reader	Varies
(2) IB-150 Kit	98-000040-02	IB-150 Interface and Reader Cable, 6 feet	\$175
(3) Power Supply	97-100004-15	Power Supply, 90-264 VAC, 24VDC, USA /Euro Plug	\$125
(4) Object Detector (If applicable)	99-000017-01	Photo Sensor, Visible, NPN, DARK ON	\$175
(5) Communication Cable	61-000034-02	25pin D-sub Plug to 9pin D-sub Socket, 6 ft	\$30
(6) IC-3USB***	98-000051-01	USB Conversion Kit	\$75
(7) IB-3PC****	FIS-0001-0030G	Keyboard Wedge PC Interface	\$100
(8) DN-120	20-500013-01	DeviceNet Protocol Box ¹	\$595
(9) Other Protocols (Ethernet, EtherNet/IP, Profibus)	Third Party	Ask your Microscan sales representative which solution is appropriate for your application.	Various
IB-151 Kit	99-000009-02	Interconnectivity, IB-151, RS-232 - Ethernet TCP/IP	\$100
Quadrus EZ Stand	98-000020-01	6 inch (152 mm) Mounting/Adapter Kit	\$90
Mounting Plate	98-000054-01	Mounting Stand Base Plate, Small	\$30
EZ Trax Software	37-000003-01	Image Capture and Storage Software	\$500
User's Manuals, ESP Software	37-000001-01	TOOLS CD, User's Manuals, ESP Software *	\$30

* 1 free per order.

*** Pin Converter is not required for this configuration.

****Set the IB-3PC to **position 2** in this configuration.

¹ Part is not RoHS compliant.

Quadrus Verifier - Production-Ready Data Matrix Verifier*



FOV / Element Size Chart

Model	FOV – inch (mm)	Minimum Element Size
FIS-6700-1000G	.49 x .37 (12.5 x 9.4mm)	.0075 (0.19mm)
FIS-6700-1001G	.66 x .5 (16.8 x 12.7mm)	.010 (0.25mm)
FIS-6700-1002G	.82 x .62 (20.8 x 15.7mm)	.0125 (0.32mm)
FIS-6700-1003G	.98 x .74 (24.9 x 18.8mm)	.015 (0.38mm)
FIS-6700-1004G	1.31 x .99 (33.3 x 25.2mm)	.020 (0.51mm)

Verifiers *

Part Number	Description	List Price
FIS-6700-1000G	Verifier, DataMatrix, CCD, FOV .49 x .37 (12.5 x 9.4mm), RS-232/Ethernet	\$8,384
FIS-6700-1001G	Verifier, DataMatrix, CCD, FOV .66 x .5 (16.8 x 12.7mm), RS-232/Ethernet	\$8,384
FIS-6700-1002G	Verifier, DataMatrix, CCD, FOV .82 x .62 (20.8 x 15.7mm), RS-232/Ethernet	\$8,384
FIS-6700-1003G	Verifier, DataMatrix, CCD, FOV .98 x .74 (24.9 x 18.8mm), RS-232/Ethernet	\$8,384
FIS-6700-1004G	Verifier, DataMatrix, CCD, FOV 1.31 x .99 (33.3 x 25.2mm), RS-232/Ethernet	\$8,384

* Note: All Verifier kits come with mounting hardware, power supplies, and connectivity breakout kit.



Quadrus Verifier Continued

Accessories

Part Number	Description	List Price
FIS-0210-0001G	MS-Connect 210, Connectivity Box with Display	\$650
FIS-0210-0002G	MS-Connect 210, Connectivity Box	\$430
FIS-0210-0003G	MS-Connect 210, Connectivity Box with Display and Ethernet	\$850
FIS-0210-0004G	MS-Connect 210, Connectivity Box with Ethernet	\$650
61-000122-01	Cable, To MS-Connect 210, Host RS-422/485 for Multidrop, 6 ft	\$100
61-000123-01	Cable, To MS-Connect 210, Host/AUX RS-232, for Daisy Chain 210 to 210, 6 ft	\$100
98-000096-01	Kit, Monitor 7" TFT LCD and Video I/O Cable, 10 feet	\$645
98-000040-02	Interface Box Kit, IB-150 and Quadrus EZ Cable, 6 feet	\$175
99-000009-02	Interconnectivity, IB-151, RS-232 - Ethernet TCP/IP	\$100
98-000039-02	Kit, IB-152, DB25 Plug Terminal Block, DB25 Gender Changer	\$125
FIS-0001-0030G	IB-3PC Keyboard Wedge/Interface Box	\$100
61-000034-02	Cable, Comm/Serial , DB25 Socket to DB9 Socket, 6 feet	\$30
61-000033-02	Cable, Video I/O, 10 feet	\$30
61-000040-01	Cable, Crossover, Ethernet, Cat 5, 10 ft	\$30
70-000076-02	Label, Reflectance Calibration	\$40

Power Supply

Part Number	Description	List Price
97-100004-15	Power Supply, 90-264 VAC, 24VDC, USA /Euro Plug	\$125

Mounting and Connectors

Part Number	Description	List Price
98-000020-01	Mounting Arm/Adapter Kit, Quadrus, 6 inch	\$90
98-000037-01	Extension Kit, All Scanners', 6 inch	\$55
98-000054-01	Kit, Mounting Stand Base Plate, Small	\$30
98-000046-01	Kit, Base plate	\$40
20-610024-01	Trigger Connector, 4-pin Plug (for self wiring)	\$30
20-610020-01	Power Connector, 3-pin Socket (for self wiring)	\$30

Package Detector/Sensor

Part Number	Description	List Price
99-000017-01	Photo Sensor, Visible, NPN, DARK ON	\$175
99-000017-02	Photo Sensor, Visible, NPN, LIGHT ON	\$175

Software / Manuals

Part Number	Description	List Price
37-000001-01	TOOLS CD, User's Manuals, ESP Software *	\$30
37-000003-01	TOOLS CD, EZ Trax Software **	\$500

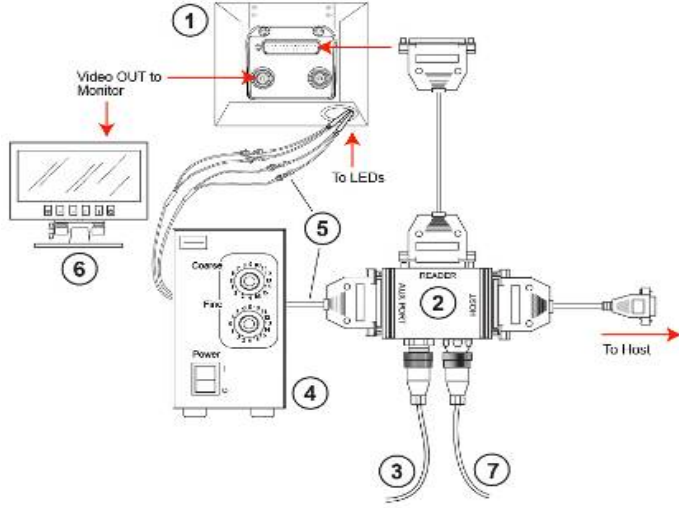
* 1 free per order.

** EZ Trax is an accessory.

Tech Reference *Quadrus Verifier*



**Stand Alone
with Monitor**



System Matrix

Product	Reference No.	Description	List Price
(1) Quadrus Verifier	FIS-6700-100XG	Quadrus Verifier	\$8,384
(2) IB-150 Kit		IB-150 Interface and Reader Cable, 6 feet	
(3) Power Supply		Power Supply, 90-264 VAC, 24VDC, includes US and European input cables	
(4) Illumination Power Supply		Power Supply, 12V, 28W	
(5) Light Control Cable Quadrus EZ Stand Calibration Symbol User's Manuals, ESP Software		Cable, Light Control Mounting arm and base plate Reflectance calibration symbol TOOLS CD, User's Manuals, ESP Software	
(6) 7" Monitor, TFT LCD *	98-000096-01	Kit, Monitor 7" TFT LCD and Video I/O Cable, 10 feet	\$645
(7) Photo Sensor **	99-000017-01	Photo Sensor, Visible, NPN, DARK ON	\$175
EZ Trax Software***	37-000003-01	Image Capture and Storage Software	\$500

* Monitor sold separately.

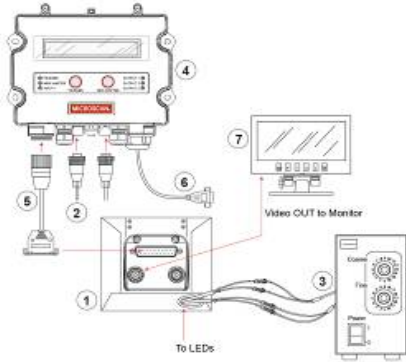
** Photo Sensor sold separately.

***EZ Trax Software sold separately.

Tech Reference *Quadrus Verifier*

Stand Alone

with Monitor and MS-Connect 210



System Matrix

Product	Reference No.	Description	List Price
(1) Quadrus Verifier	FIS-6700-100XG	Quadrus Verifier	\$8,384
(2) Power Supply		Power Supply, 90-264 VAC, 24VDC USA /Euro Plug	
(3) Illumination Power Supply		Power Supply, 12V, 28W	
Light Control Cable		Cable, Light Control	
Quadrus EZ Stand ¹		Mounting arm and base plate	
IB-150 Kit ¹		IB-150 Interface and Reader cable	
Calibration Symbol		Reflectance calibration symbol	
User's Manuals, ESP Software		TOOLS CD, User's Manuals, ESP Software	
(4) MS-Connect 210 *	FIS-0210-000XG	Connectivity Box	Varies
(5) Reader Cable †	61-000122-01	Cable, To MS-Connect 210, Host RS-422/485 for Multidrop, 6 ft	\$100
(6) Host Cable **	61-000105-01	Pre-stripped RS-232, 9-pin host cable	\$30
(7) Monitor	98-000096-01	Kit, Monitor 7" TFT LCD and Video I/O Cable, 10 feet	\$645

¹ If applicable; not shown.

* See MS-Connect Series section for a complete listing of Accessories

† Choose one cable

** 1 free host cable provided with each MS-Connect 210CContents

UID DPM and LDP Verifiers*



Type	UID Compliance Verifier, LDP
Image field	25.4 mm x 19.05 mm (1.0" x 0.75")
Verifiable markings	ISO 16022, ISO 15415, AS9132 Laser, AS9132 Dot Peen, AS9132 Electro-Chemical Etch, MIL-STD-130M Enhanced ISO 15415, AIM DPM-1-2006 Quality Guideline
Greatest possible thickness of the label/nameplate	0.125" (3.175 mm)
Depth of focus	0.125" (3.175 mm)
Smallest element size	0.0075" (0.19 mm)
Current requirement	AC adapter for 100 ... 250 VAC, 0.05 A 50/60 Hz input; 24 V with 500 mA output
Networking options	Ethernet for standard operation, RS232 baudrates from 600 bit/s to 115.3 Kbits/s for maintenance purposes
Operating temperature	0 ... 40 °C (32 ... 104 °F)
Lighting	Embedded Class I LED Red LED: 640 nm Diffuse perpendicular (90°) light
Laser target beam	Class II laser to IEC 60825-1
Humidity	< 95 %, non-condensing
Electrical/mechanical safety	EN 61010-1: 2002
Laser safety	EN 60825-1 1993 Amendment 2 2001-01
Image field	25.4 mm x 19.05 mm (1.0" x 0.75")

Type	UID Compliance Verifier, DPM
Image field	30.2 mm x 21.8 mm (1.19" x 0.86")
Test functions	ISO 16022, ISO 15415, AS9132 Laser, AS9132 Dot Peen, AS9132 Electro-Chemical Etch, MIL-STD-130M Enhanced ISO 15415, AIM DPM-1-2006 Quality Guideline
Greatest possible thickness of the label/nameplate	0.125" (3.175 mm)
Minimum size of elements	0.0075" (0.19 mm)
Performance requirements	AC adapter 100 to 240 VAC, 1.6 A 50/60 Hz input, 24 V with 1.5 A output
Interfaces	Ethernet for standard operation, RS232 baudrates from 600 baud to 115.2 Kbaud for maintenance purposes
Operating temperature	0 ... 40 °C (32 ... 104 °F)
Lighting	AIM DPM-1-2006 Quality Guideline Embedded Class I LED, Red LED: 640 nm Light settings: Diffuse Perpendicular 90 Degrees (90) Dome (D) Medium Angle 45 Degrees (45Q) Low Angle 30 Degrees (30Q, 30T and 30S)
Humidity	Up to 95 %, non-condensing
Electrical/mechanical safety	EN 61010-1: 2002
Laser safety	EN 60825-1 1993 Amendment 2 2001-01

UID Verifiers

Part Number	Description	List Price
FIS-UD10-ODP1	UID COMPLIANCE VERIFIER, DPM	\$11,995
FIS-UD20-OCK1	UID COMPLIANCE VERIFIER, LDP	\$8,995
98-UA10-0AM0	UID MAINTENANCE PROGRAM	\$995
98-UD10-1DP0	UID DPM SYSTEM AIM UPGRADE	\$4,500
98-UD10-2DP0	UID DPM AIM S/W ONLY UPGRADE	\$995
98-UD20-1CK0	UID COMPLIANCE KIT AIM UPGRADE	\$2,995

UID Verifier Accessories

Part Number	Description	List Price
98-UA10-0CC0	UID CALIBRATION REPLACEMENT CARD	\$159
98-UA10-0ST0	UID DPM STAND, ACCESSORY ITEM	\$995

Auto ID Handhelds

HS-1 Handheld Linear CCD Barcode Reader (1D Codes)

Read Ranges *

Narrow Bar

5 mil (.127 mm)	1.5" to 3.5" (35 to 89 mm)
10 mil (.254 mm)	1.8" to 7.6" (46 to 193 mm)
20 mil (.508 mm)	3.0" to 13.8" (76 to 351 mm)



Reader

Part Number	Description	List Price
98-000106-01	Handled, Linear Barcode Reader, USB	\$199

Accessories

Part Number	Description	List Price
98-000108-01	HS-1 Mounting Stand	\$49
98-000111-01	RS232 Kit	\$49
98-000112-01	USB Virtual Com Cable	\$49

HS-2D Handheld 2D CCD Barcode Reader (2D and 1D Codes)

Read Ranges

High Resolution

5 mil (.127 mm)	1.75" to 2.50" (44 to 64 mm)
10 mil (.254 mm)	1.75" to 4.75" (44 to 103 mm)
20 mil (.508 mm)	1.75" to 6.50" (44 to 165 mm)



Reader

Part Number	Description	List Price
98-000107-01	Handled, 2D Barcode Reader, USB	\$495

RS-232 Kits (Serial Interface)

Part Number	Description	List Price
98-000074-04	Kit, RS-232 Interface, 8 ft coiled cable, USA Power Supply	\$70
98-000074-05	Kit, RS-232 Interface, 8 ft coiled cable, Europe Power Supply	\$100
98-000074-06	Kit, RS-232 Interface, 8 ft coiled cable, UK Power Supply	\$110

Auto ID 2D Handhelds

MS-Q Rugged Handled Imagers

Read Ranges

High Resolution	
5 mil (.127 mm)	1.75" to 2.50" (44 to 64 mm)
10 mil (.254 mm)	1.75" to 4.75" (44 to 103 mm)
20 mil (.508 mm)	1.75" to 6.50" (44 to 165 mm)
Standard Resolution	
7.5 mil (.191 mm)	3.2" to 3.9" (81 to 99 mm)
15 mil (.381 mm)	3.0" to 9.0" (76 to 229 mm)
20 mil (.508 mm)	3.0" to 11.5" (76 to 292 mm)



MS-Q Basic Rugged Handled Imager

Part Number	Description	List Price
FIS-6150-0028G	Handled, Imager, Standard Res., USB 6ft., H2 *	\$795
FIS-6150-0029G	Handled, Imager, Standard Res., Batch/Battery, BH2 *	\$995
FIS-6150-0031G	Handled, Imager, Standard Res., Bluetooth, BH2 *	\$1,095

MS-Q Quadrus Rugged Handled Imager

Part Number	Description	List Price
FIS-6100-0047G	Handled, Imager, High Resolution, Quadrus Software, USB 6ft, H2 *	\$1,900
FIS-6100-0048G	Handled, Imager, High Res., Quadrus Software, Batch/Battery, BH2 *	\$2,110
FIS-6100-0050G	Handled, Imager, High Res., Quadrus Software, Bluetooth, BH2 *	\$2,270
FIS-6100-0051G	Handled, Imager, Standard Res., Quadrus Software, USB 6ft., H2 *	\$1,900
FIS-6100-0052G	Handled, Imager, Standard Res., Quadrus Software, Batch/Battery, BH2 *	\$2,110
FIS-6100-0054G	Handled, Imager, Standard Res., Quadrus Software, Bluetooth, BH2 *	\$2,270
FIS-6100-0053G	Handled, Imager, Standard Res., Quadrus SW, Image Lock, H2 *	\$2,110

* = Includes 6ft USB Cable; PS/2 and RS-232 are optional and the appropriate cable must be purchased separately.

H2 = Battery Blank Handle

BH2 – 3900 mAh Battery Option

HawkEye 40T and 45T Series Handled Imagers



Type	HawkEye 40T/45T
Focal Point (min/max)	50 mm (1.9") / 375 mm (14.8")
Field of View Near: at 50 mm (1.9") distance	25 mm x 15 mm (0.98" x 0.6")
Field of View Far: at 375 mm (14.8") distance	150 mm x 90 mm (5.9" x 3.5")
Decoding Capability	1D: Code 39, Code 128, Codabar, Code 93, I2of5, UPC/EAN, UPC-E, UPC Supplementals 2D: Data Matrix, PDF417, QR Code
Minimum element size 1D Barcode/2D Matrix Code	0.114 mm bar thickness (0.0045")/0.128 mm element size (0.005")

HawkEye 40T Handled Imagers

Part Number	Description	List Price
FIS-HT40-1G	HAWKEYE40T, HANDHELD, SR, USB CABLE, H2 HANDLE*	\$1,900
FIS-HT40-6G	HAWKEYE40T, HANDHELD, SR, W/BLUETOOTH & USB CABEL, BH2 HANDLE	\$2,270
FIS-HT40-8G	HAWKEYE40T, HANDHELD, SR, BH2 HANDLE & USB CABLE	\$2,110
FIS-HT40-0100G	HAWKEYE40T, HANDHELD, HR, BH2 HANDLE & USB CABLE	\$2,110

* = Includes 6ft USB Cable; PS/2 and RS-232 are optional and the appropriate cable must be purchased separately.

H2 = Battery Blank Handle

BH2 – 3900 mAH Battery Option



Type	HawkEye 40T/45T
Focal Point (min/max)	50 mm (1.9") / 375 mm (14.8")
Field of View Near: at 50 mm (1.9") distance	25 mm x 15 mm (0.98" x 0.6")
Field of View Far: at 375 mm (14.8") distance	150 mm x 90 mm (5.9" x 3.5")
Decoding Capability	1D: Code 39, Code 128, Codabar, Code 93, I2of5, UPC/EAN, UPC-E, UPC Supplementals 2D: Data Matrix, PDF417, QR Code
Minimum element size 1D Barcode/2D Matrix Code	0.114 mm bar thickness (0.0045")/0.128 mm element size (0.005")

HawkEye 45T Series Handled Imagers

Part Number	Description	List Price
FIS-HT45-1G	HAWKEYE45T, HANDHELD, SR, USB CABLE, H2 HANDLE*	\$2,220
FIS-HT45-6G	HAWKEYE45T, HANDHELD, SR, W/BLUETOOTH & USB CABLE, BH2 HANDLE	\$2,590
FIS-HT45-8G	HAWKEYE45T, HANDHELD, SR, BH2 HANDLE & USB CABLE	\$2,430

* = Includes 6ft USB Cable; PS/2 and RS-232 are optional and the appropriate cable must be purchased separately.

H2 = Battery Blank Handle

BH2 – 3900 mAH Battery Option

MS-Q Handled Imagers with LightRay Optics



MS-Q Quadrus Handled Imager with LightRay Optics Kit

Part Number	Description	List Price
FIS-6100-1021G	High Resolution, Quadrus Software, USB 6ft., (PS/2, RS-232), LightRay 100 kit *	\$2,650
FIS-6100-1022G	High Resolution, Quadrus Software, Bluetooth, LightRay 100 kit * ψ	\$2,990
FIS-6100-1023G	Standard Res., Quadrus Software, USB 6ft., (PS/2, RS-232), LightRay 110 kit *	\$2,650
FIS-6100-1024G	Standard Resolution, Quadrus Software, Batch/Battery, LightRay 110 kit * ψ	\$2,820
FIS-6100-2021G	High Resolution, Quadrus Software, USB 6ft., (PS/2, RS-232), LightRay 205 kit *	\$2,650
FIS-6100-2022G	High Resolution, Quadrus Software, Batch/Battery, LightRay 205 kit * ψ	\$2,820
FIS-6100-2023G	High Resolution, Quadrus Software, Bluetooth, LightRay 205 kit * ψ	\$2,990

* = Includes 6ft USB Cable; PS/2 and RS-232 are optional and the appropriate cable must be purchased separately.

ψ = includes Battery.

LightRay Optics Kits

Part Number	Description	List Price
FIS-0001-0031G	Kit, LightRay 100, High Resolution	\$745
FIS-0001-0032G	Kit, LightRay 110, Standard Resolution	\$745
FIS-0001-0033G	Kit, LightRay 205, High Resolution	\$745
FIS-0001-0034G	Kit, LightRay 215, Standard Resolution	\$745

MS-Q RS-232 Kits (Serial Interface)

Part Number	Description	List Price
98-000074-04	Kit, RS-232 Interface, 8 ft coiled cable, USA Power Supply	\$70
98-000074-05	Kit, RS-232 Interface, 8 ft coiled cable, Europe Power Supply	\$100
98-000074-06	Kit, RS-232 Interface, 8 ft coiled cable, UK Power Supply	\$110

MS-Q Battery Charger Kit

Part Number	Description	List Price
	<u>H1 Handle Charers</u>	
98-000075-04	Kit, 2-Bay Battery Charger for H1 Batteries, USA Power Supply	\$150
98-000075-05	Kit, 2-Bay Battery Charger for H1 Batteries, Europe Power Supply	\$175
98-000075-06	Kit, 2-Bay Battery Charger for H1 Batteries, UK Power Supply	\$200
	<u>BH2 Battery Handle Cable Chargers</u>	
98-000075-07	Kit, Cable Battery Charger for BH2, USA Power Supply	\$75
98-000075-08	Kit, Cable Battery Charger for BH2, Europe Power Supply	\$100
98-000075-09	Kit, Cable Battery Charger for BH2, UK Power Supply	\$125
	<u>BH2 Battery Handle Charging Bay</u>	
98-000075-10	Kit, Charging Bay for BH2, USA Power Supply	\$100
98-000075-11	Kit, Charging Bay for BH2, Europe Power Supply	\$125
98-000075-12	Kit, Charging Bay for BH2, UK Power Supply	\$150
98-000075-13	Kit, Charging Bay for BH2, No Power Supply	\$75

MS-Q Bluetooth Modem Kits

Part Number	Description	List Price
98-000076-11	Kit, Bluetooth Modem, RS-232, USA Power Supply	\$450
98-000076-12	Kit, Bluetooth Modem, RS-232, Europe Power Supply	\$475
98-000076-13	Kit, Bluetooth Modem, RS-232, UK Power Supply	\$495
98-000076-14	Kit, Bluetooth Modem, USB	\$400

Power Supplies

Part Number	Description	List Price
20-000335-02	Power Supply, Wall Mount, 90-264 VAC, +5VDC, 1.5A, USA plug	\$30
20-000336-02	Power Supply, Wall Mount, 90-264 VAC, +5VDC, 1.5A, Europe plug	\$65
20-000337-02	Power Supply, Wall Mount, 200-240 VAC, +5VDC, 2.4A, UK plug	\$80

Miscellaneous Accessories

Part Number	Description	List Price
FIS-0210-0001G	MS-Connect 210, Connectivity Box with Display	\$650
FIS-0210-0002G	MS-Connect 210, Connectivity Box	\$430
FIS-0210-0003G	MS-Connect 210, Connectivity Box with Display and Ethernet	\$850
FIS-0210-0004G	MS-Connect 210, Connectivity Box with Ethernet	\$650
61-000066-02	Cable, MS-Q to MS-Connect 210, 15 ft	\$80
12-000215-02	Handle, MS-Q, First Generation (H1)	\$70
12-000215-06	Rugged Handle, Battery Blank (H2)	\$99
12-000215-08	Rugged Handle, 3900mAH Battery (BH2)	\$249
20-000338-02	Battery Blank (H1 Handle)	\$25
60-000008-02	Cable, 8' coiled, RS-232 interface	\$45
60-000009-02	Cable, 6' straight, USB interface	\$45
60-000031-01	Cable, 12' straight, USB interface	\$70
60-000018-02	Cable, 6' coiled, PS/2 interface	\$60
20-000925-01	Protective Jacket, MS-Q (H1 Handle)	\$30

Software / Manuals

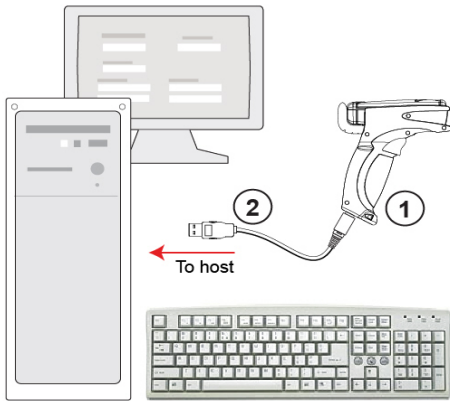
Part Number	Description	List Price
37-000001-01	TOOLS CD, User's Manuals, ESP Software *	\$30

* 1 free per order.

Tech Reference *MS-Q*

USB

The reader communicates to the host using USB.



System Matrix (MS-Q Quadrus)

Product	Reference No.	Description	List Price
(1) MS-Q Quadrus	FIS-6100-XXXXG	Handled, Imager, High Resolution, Quadrus Software, USB, (PS/2, RS-232) *	\$1,900
(2) USB Cable		Included in MS-Q kit	
User's Manuals, ESP Software	37-000001-01	TOOLS CD, User's Manuals, ESP Software **	\$30

*Note: Kit includes MS-Q Imager and USB Cable.

**1 free per order.

System Matrix (MS-Q Basic)

Product	Reference No.	Description	List Price
(1) MS-Q Basic	FIS-6150-XXXXG	Handled, Imager, Standard Resolution, USB, (PS/2, RS-232) *	\$795
(2) USB Cable		Included in MS-Q kit	
User's Manuals, ESP Software	37-000001-01	TOOLS CD, User's Manuals, ESP Software **	\$30

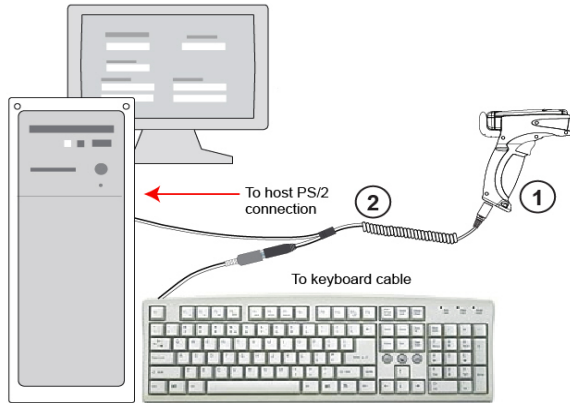
*Note: Kit includes MS-Q Imager and USB Cable, PS/2 and RS-232 are optional and the appropriate cable must be purchased separately.

**1 free per order.

Tech Reference *MS-Q*

PS/2

The reader communicates to the host using PS/2.



System Matrix (*MS-Q* Quadrus)

Product	Reference No.	Description	List Price
(1) MS-Q Quadrus	FIS-6100-XXXXG	Handled, Imager, High Resolution, Quadrus Software, PS/2	\$1,900
(2) Keyboard Wedge cable	60-000018-02	Cable, 6' coiled, PS/2 interface	\$60
User's Manuals, ESP Software	37-000001-01	TOOLS CD, User's Manuals, ESP Software *	\$30

*1 free per order.

System Matrix (*MS-Q* Basic)

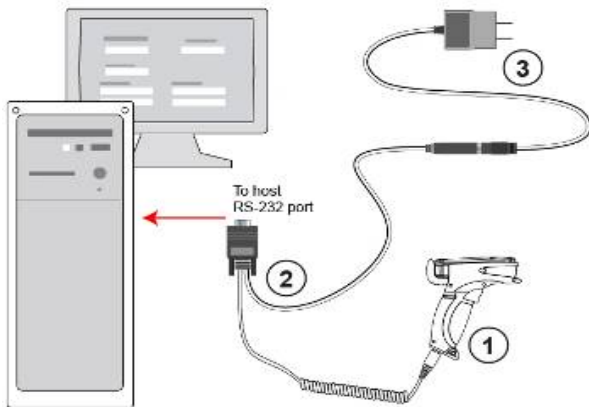
Product	Reference No.	Description	List Price
(1) MS-Q Basic	FIS-6150-XXXXG	Handled, Imager, Standard Resolution, PS/2	\$795
(2) Keyboard Wedge cable	60-000018-02	Cable, 6' coiled, PS/2 interface	\$60
User's Manuals, ESP Software	37-000001-01	TOOLS CD, User's Manuals, ESP Software *	\$30

*1 free per order.

Tech Reference MS-Q

RS-232

The reader communicates to the host using RS-232.



System Matrix (MS-Q Quadrus)

Product	Reference No.	Description	List Price
(1) MS-Q Quadrus	FIS-6100-XXXXG	Handled, Imager, High Resolution, Quadrus Software, USB, (PS/2, RS-232) ***	\$1,900
(2) RS-232 Kit	98-000074-xx	Kit, RS-232 Interface, 8 ft coiled cable, Power Supply *	\$70
(3) Power Supply	See Note	Power Supply, Wall Mount, 90-264 VAC, +5VDC, 1.5A *	
User's Manuals, ESP Software	37-000001-01	TOOLS CD, User's Manuals, ESP Software **	\$30

* RS-232 Kit includes power supply. There are three power supply options which have slight price differences.

**1 free per order.

*** To use the PS/2 option the appropriate cable must be purchased separately.

System Matrix (MS-Q Basic)

Product	Reference No.	Description	List Price
(1) MS-Q Basic	FIS-6150-XXXXG	Handled, Imager, Standard Resolution, USB, (PS/2, RS-232) ***	\$795
(2) RS-232 Kit	98-000074-xx	Kit, RS-232 Interface, 8 ft coiled cable, Power Supply *	\$70
(3) Power Supply	See Note	Power Supply, Wall Mount, 90-264 VAC, +5VDC, 1.5A, *	
User's Manuals, ESP Software	37-000001-01	TOOLS CD, User's Manuals, ESP Software **	\$30

* RS-232 Kit includes power supply. There are three power supply options which have slight price differences.

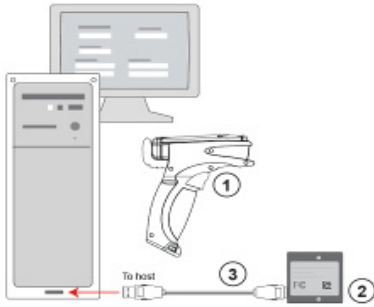
**1 free per order.

*** To use the PS/2 option the appropriate cable must be purchased separately.

Tech Reference *MS-Q*

**Bluetooth
(Wireless)**

The reader communicates directly to the host using Bluetooth or using a RS-232/Bluetooth modem (shown).



System Matrix (*MS-Q Quadrus*)

Product	Reference No.	Description	List Price
(1) MS-Q Quadrus	FIS-6100-XXXXG	Handled, Imager, High Resolution, Quadrus Software, Bluetooth	\$2,200
(2) Bluetooth Modem Kit	98-000076-xx	Kit, Bluetooth Modem (Serial Gateway), USA Power Supply *	\$450
(3) RS-232 Cable	See Note	Cable, 8' coiled, RS-232 interface *	
(4) Power Supply (not shown)	See Note	Power Supply, Wall Mount, 90-264 VAC, +5VDC, 1.5A, USA plug *	
User's Manuals, ESP Software	37-000001-01	TOOLS CD, User's Manuals, ESP Software **	\$30

*Bluetooth Modem Kit includes RS-232 cable and power supply. There are three power supply options which have slight price differences.
**1 free per order.

System Matrix (*MS-Q Basic*)

Product	Reference No.	Description	List Price
(1) MS-Q Basic	FIS-6150-XXXXG	Handled, Imager, Standard Resolution, Bluetooth	\$1,045
(2) Bluetooth Modem Kit	98-000076-xx	Kit, Bluetooth Modem (Serial Gateway), USA Power Supply *	\$450
(3) RS-232 Cable	See Note	Cable, 8' coiled, RS-232 interface *	
(4) Power Supply (not shown)	See Note	Power Supply, Wall Mount, 90-264 VAC, +5VDC, 1.5A, USA plug *	
User's Manuals, ESP Software	37-000001-01	TOOLS CD, User's Manuals, ESP Software **	\$30

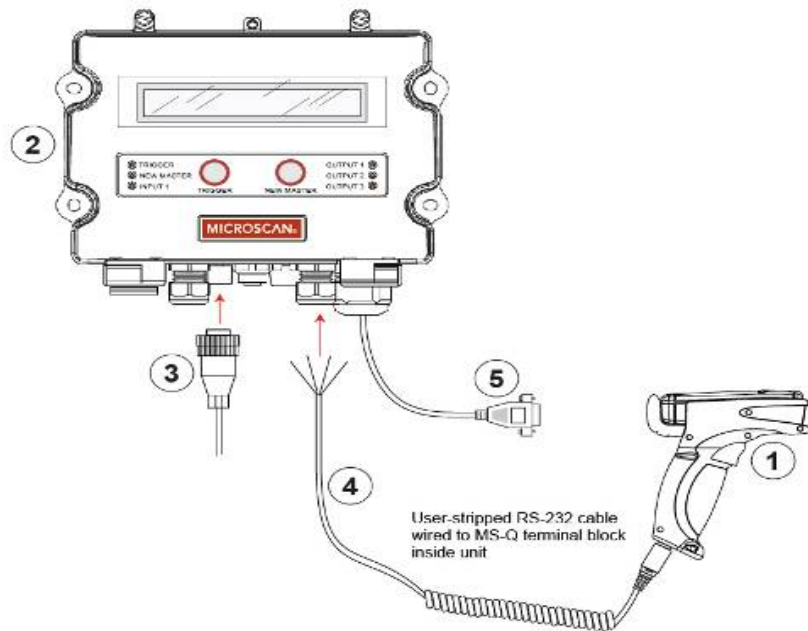
*Bluetooth Modem Kit includes RS-232 cable and power supply. There are three power supply options which have slight price differences.
**1 free per order.

Tech Reference MS-Q

Stand Alone

with MS-Connect 210

This is the basic setup for a single MS-Q wired to the MS-Connect 210.



System Matrix

Product	Reference No.	Description	List Price
(1) MS-Q Quadrus	FIS-6100-XXXXG	Handled, Imager, Quadrus Software	Varies
(2) MS-Connect 210	FIS-0210-000XG	Connectivity Box *	Varies
(3) Power Supply	97-100004-15	Power Supply, 90-264 VAC, 24VDC USA /Euro Plug	\$125
(4) Reader Cable	61-000066-02	MS-Q to MS-Connect 210 coiled cable, 15 ft ¹	\$100
(5) Host Cable	61-000105-01	Pre-stripped RS-232, 9-pin host cable **	\$30
User's Manuals, ESP Software	37-000001-01	TOOLS CD, User's Manuals, ESP Software ***	\$30

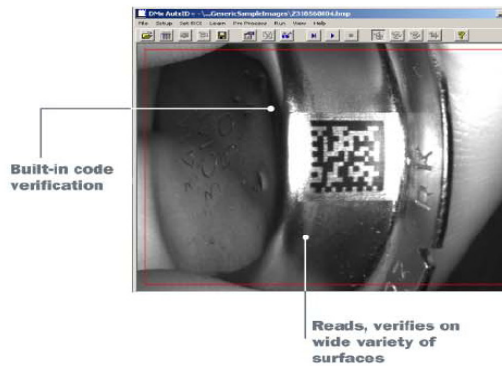
* See MS-Connect Series section for a complete listing of Accessories

** 1 free host cable is included with each MS-Connect 210

*** 1 free per order.

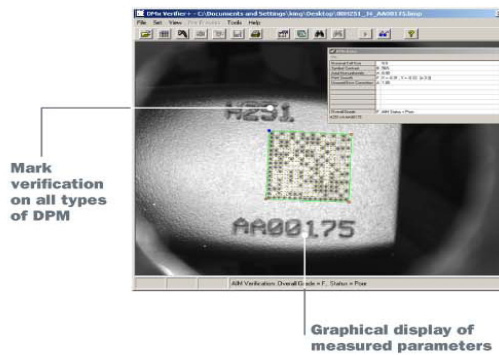
Auto ID Software, Connectivity, and Accessories

DMx AutoID+*



CCD Scan Engines, High Density, 8-pack

DMx Verifier+*



DMX Software		
Part Number	Description	List Price
FIS-AU00-0XD1	DMX AUTOID+ STANDARD + USB DNGL	\$4,948
FIS-DX00-0VF0	DMX VERIFIER+ OFF LINE 0300 BD/SW	\$8,484

MS-Connect Series



MS-Connect 210 Options

Part Number	Description	List Price
FIS-0210-0001G	MS-Connect 210, Connectivity Box with Display	\$650
FIS-0210-0002G	MS-Connect 210, Connectivity Box	\$430
FIS-0210-0003G	MS-Connect 210, Connectivity Box with Display and Ethernet	\$850
FIS-0210-0004G	MS-Connect 210, Connectivity Box with Ethernet	\$650

Accessories

Part Number	Description	List Price
61-000066-02	Cable coiled, MS-Connect 210 to MS-Q, (must be stripped by user before wiring)	\$80
61-000105-01	Pre-stripped to 9pin host cable, 6 ft	\$30
61-000121-02	Cable, MS-820 to MS-Connect 210, 3 ft	\$100
61-000122-01	Cable, To MS-Connect 210, Host RS-422/485 for Multidrop, 6 ft	\$100
61-000123-01	Cable, To MS-Connect 210, Host/AUX RS-232, for Daisy Chain 210 to 210, 6 ft	\$100
61-000124-01	Cable, Quadrus EZ with onboard Ethernet to MS-Connect 210, Ethernet, 6 ft	\$100
61-000127-02	Cable, MS-9 to MS-Connect 210, 6 ft	\$100
61-000128-01	Cable, external Micro-Change to internal Ethernet module, MS-Connect 210, 8 in.	\$50
FIS-0001-0035G	IC-332, Connects 5V Reader to IB-131 (Note: replaces IC-331, FIS-0001-0029)	\$150
61-000136-01	Ethernet Cross over Cable, CAT5, 10'	\$30
98-000013-04	Pluggable Relay Module, 120VAC, Series 70, Type SM	\$47
98-000013-05	Pluggable Relay Module, 240VAC, Series 70, Type SM	\$47
98-000013-06	Pluggable Relay Module, 24VDC, Series 70, Type SM	\$47
61-000158-01	QX Cordset, M12 12pin Plug & M12 12pin Socket to MS-Connect 210 (RS-232), 2m	\$225
61-000158-02	QX Cordset, M12 12pin Plug & M12 12pin Socket to MS-Connect 210 (RS-422), 2m	\$225

Power Supply

Part Number	Description	List Price
97-100004-15	Power Supply, 90-264 VAC, 24VDC, USA/Euro Plug	\$125

Mounting and

Part Number	Description	List Price
98-000093-01	DIN Rail Mounting Kit	\$45

Package Detector/Sensor

Part Number	Description	List Price
99-000017-02	Photo Sensor, Visible, NPN, LIGHT ON	\$175

Software/Manuals

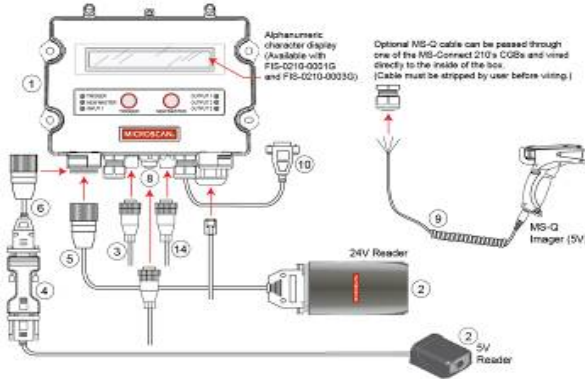
Part Number	Description	List Price
37-000001-01	TOOLS CD, User's Manuals, ESP Software	\$30
37-000003-01	TOOLS CD, EZ Trax Software	\$500

Tech Reference *MS-Connect 210*

Stand Alone



These are the setup options for one MS-Connect 210 and one 10-28V or 5V reader.



Product	Reference No.	Description	List Price
(1) MS-Connect 210	FIS-0210-0001G	Connectivity Box with Display	\$650
	FIS-0210-0002G	Connectivity Box	\$430
	FIS-0210-0003G	Connectivity Box with Display and Ethernet	\$850
	FIS-0210-0004G	Connectivity Box with Ethernet	\$650
(2) Microscan Reader	FIS-XXXX-XXXXG	Varies	Varies
(3) Power Supply	97-100004-15	Power Supply, 90-264 VAC, 24VDC, USA/Euro Plug	\$125
(4) IC-332 (5V Readers)	FIS-0001-0035G	Power Adapter, Connects 5V Reader to Interface	\$150
(5) Reader Cable (10-28V Readers)	61-000122-01	Cable, To MS-Connect 210, Host RS-422/485 for Multidrop, 6 ft	\$100
(6) Reader Cable (5V Readers and MS-9)	61-000127-02	Cable, 5V Reader or MS-9 to MS-Connect 210, 6 ft	\$100
(7) Reader Cable (5V Readers and MS-9)	61-000139-01	Cable, To MS-Connect 210, Host RS-422/485 for Multidrop, 6 ft	\$100
(8) Reader Cable (MS-820 only; not shown)	61-000121-02	Cable, MS-820 to MS-Connect 210, 3 ft	\$100
(9) Internal Ethernet Cable (If applicable)	61-000128-01	Cable, Micro-Change to Ethernet module, MS-Connect 210, 8 in.	\$50
(10) MS-Q Reader Cable (If applicable)	61-000066-01	Cable, MS-Connect 210 to MS-Q (must be stripped by user before wiring)	\$80
(11) MS-Connect 210 Host Cable	61-000105-01	Pre-stripped to 9pin host cable, 6 ft	\$30
(12) Pluggable Relay Module (If applicable; not shown)	98-000013-04	120VAC, Series 70, Type SM	\$47
(13) Pluggable Relay Module (If applicable; not shown)	98-000013-05	240VAC, Series 70, Type SM	\$47
(14) Pluggable Relay Module (If applicable; not shown)	98-000013-06	24VDC, Series 70, Type SM	\$47
(15) Object Detector (If applicable)	99-000017-02	Photo sensor, Visible, NPN, Light On	\$175
DIN Rail Mounting Kit	98-000093-01	Mounting kit for affixing the MS-Connect 210 to a DIN rail	\$45

Prices and Specifications Subject to Change

\$100 Minimum Order

Tel: 425.226.5700
Fax: 425.226.8250

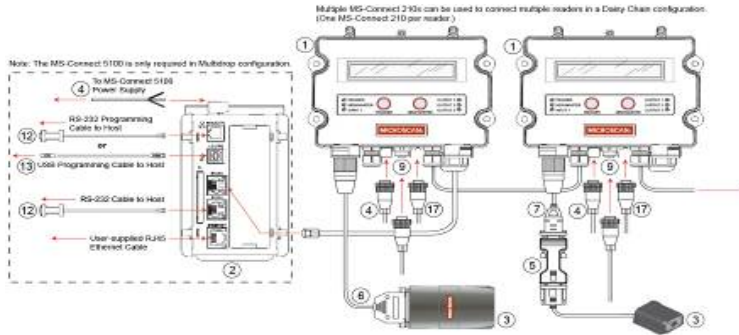
07-000001-01, Rev Y
www.microscan.com

Confidential Document

Page 83 of 117

Tech Reference MS-Connect 210

Multidrop / Daisy Chain



Product	Reference No.	Description	List Price
(1) MS-Connect 210	FIS-0210-0001G	Connectivity Box with Display	\$650
	FIS-0210-0002G	Connectivity Box	\$430
	FIS-0210-0003G	Connectivity Box with Display and Ethernet	\$850
	FIS-0210-0004G	Connectivity Box with Ethernet	\$650
(2) MS-Connect 5100	FIS-5100-0001G	Enhanced Multidrop Concentrator (required for Multidrop only)	\$945
(3) Microscan Reader	FIS-XXXX-XXXXG	Varies	Varies
(4) Power Supply	97-100004-15	Power Supply, 90-264 VAC, 24VDC, USA/Euro Plug	\$125
(5) IC-332	FIS-0001-0035G	Power Adapter, Connects 5V Reader to Interface	\$150
(6) Reader Cable (10-28V)	61-000122-01	Cable, To MS-Connect 210, Host RS-422/485 for Multidrop, 6 ft Cable,	\$100
(7) Reader Cable (5V Readers and MS-9)	61-000127-02	Cable, 5V Reader or MS-9 to MS-Connect 210, 6 ft	\$100
(8) Reader Cable (MS-820 only; not shown)	61-000121-02	Cable, MS-820 to MS-Connect 210, 3 ft	\$100
(9) Internal Ethernet Cable (If applicable)	61-000128-01	Cable, Micro-Change to Ethernet module, MS-Connect 210, 8 in.	\$50
(10) MS-Q Reader Cable (If applicable; not shown)	61-000066-02	Cable, MS-Connect 210 to MS-Q (must be stripped by user before wiring)	\$80
(11) MS-Connect 210 Host Cable (not shown)	61-000105-01	Pre-stripped to 9pin host cable, 6 ft	\$30
(12) MS-Connect 5100 Host Cable (required for Multidrop only)	61-000108-01	Cable, RJ-12 to 9-pin D Sub, 6 Feet	\$45
(13) MS-Connect 5100 Programming Cable (required for Multidrop only)	61-000112-01	Cable, USB Type A Male to Mini B Male, 10 ft	\$30
(14) Pluggable Relay Module (If applicable; not shown)	98-000013-04	120VAC, Series 70, Type SM	\$47
(15) Pluggable Relay Module (If applicable; not shown)	98-000013-05	240VAC, Series 70, Type SM	\$47
(16) Pluggable Relay Module (If applicable; not shown)	98-000013-06	24VDC, Series 70, Type SM	\$47
(17) Object Detector (If applicable)	99-000017-02	Photo sensor, Visible, NPN, Light On	\$175
DIN Rail Mounting Kit	98-000093-01	Mounting kit for affixing the MS-Connect 210 to a DIN rail	\$45

Prices and Specifications Subject to Change

\$100 Minimum Order

Tel: 425.226.5700
Fax: 425.226.8250

07-000001-01, Rev Y
www.microscan.com

Confidential Document

Page 84 of 117

MS-Connect 5100 Options

Part Number	Description	List Price
FIS-5100-0001G	MS-Connect 5100, Enhanced Multidrop Concentrator	\$945

Accessories

Part Number	Description	List Price
FIS-0001-0035G	IC-332, Connects MINI to IB-131 (Note: replaces IC-331, FIS-0001-0029)	\$150
61-000108-01	Cable, RJ-12 to 9-pin D Sub, 6 Feet	\$45
61-000112-01	Cable, USB Type A Male to Mini B Male, 10 ft	\$30
61-000113-01	Cable, Concentrator to IB-131/IB-150 RJ45 to 25-pin D Sub, 10 ft	\$60
61-100030-03	Cable, Multidrop, 10 feet IB-131/IB-150 to IB-131/IB-150 ¹	\$30
99-000018-01	IB-131 Interface Box for MS-3, MS4, MS-9, MS-820 and Quadrus MINI	\$150
98-000040-02	IB-150 and Reader cable, 6 ft for MS-860, MS-890 and Quadrus EZ	\$175
61-000161-01	QX Cordset, M12 12pin Plug to MS-Connect 5100, 3m	\$60

¹ Gender changer may be needed for IB-131 to IB-150; one gender changer included with 61-000113-01.

Power Supply

Part Number	Description	List Price
97-100004-15	Power Supply, 90-264 VAC, 24VDC, USA/Euro Plug	\$125

Mounting

Part Number	Description	List Price
10-000251-01	Mounting Bracket	\$45

Package Detector/Sensor

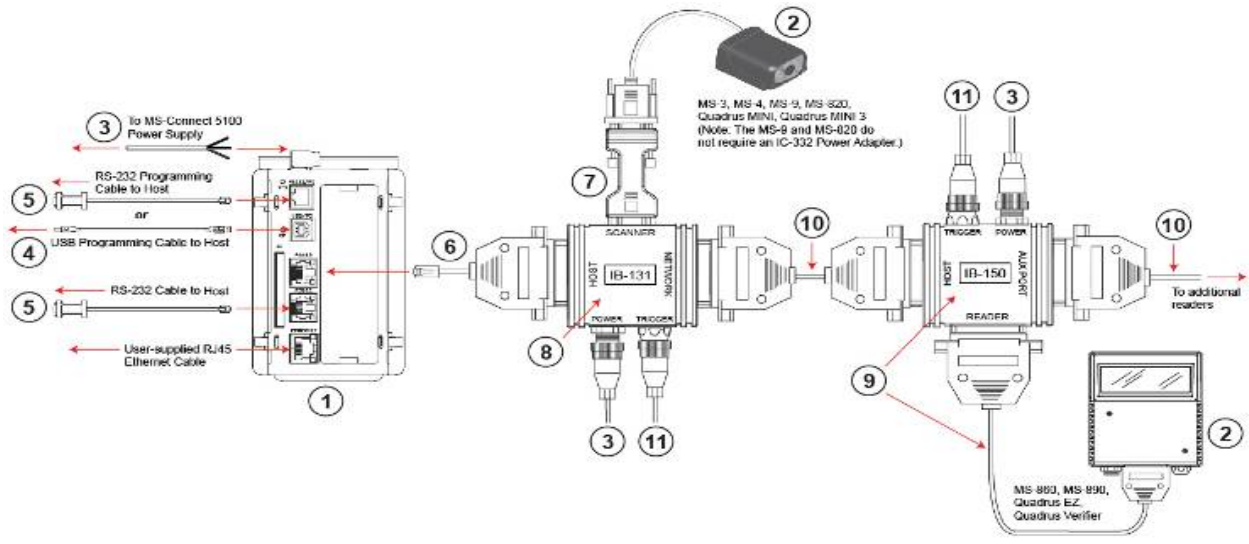
Part Number	Description	List Price
99-000017-01	Photo Sensor, Visible, NPN, DARK ON	\$175
99-000017-02	Photo Sensor, Visible, NPN, LIGHT ON	\$175

Software/Manuals

Part Number	Description	List Price
37-000001-01	TOOLS CD, User's Manuals, ESP Software	\$30
37-000003-01	EZ Trax Software	\$500

Tech Reference MS-Connect 5100

Multidrop



Product	Reference No.	Description	List Price
(1) MS-Connect 5100*	FIS-5100-0001G	Enhanced Multidrop Concentrator	\$945
(2) Microscan Reader	FIS-XXXX-XXXXG	Varies	Varies
(3) Power Supply	97-100004-15	1-Power supply per MS-Connect 5100 unit and Readers	\$125
(4) USB Programming Cable,	61-000112-01	Cable, USB Type A Male to Mini B Male, 10 ft	\$30
(5) Prog/Comm. Cable, RS-232	61-000108-01	Cable, RJ-12 to 9-pin D Sub, 6 Feet	\$45
(6) Concentrator Cable	61-000113-01	Cable, Concentrator to IB-131/IB-150 RJ45 to 25-pin D Sub, 10 ft	\$60
(7) IC-332	FIS-0001-0035G	Adapter for 5-Volt readers, MS-3, MS-4 and Quadrus MINI	\$150
(8) IB-131 Interface Box	99-000018-01	IB-131 Interface Box for MS-3, MS4, MS-9, MS-820 and Quadrus MINI	\$150
(9) Kit, IB-150 Interface Box	98-000040-01	IB-150 and Reader cable, 6 ft for MS-860, MS-880 and Quadrus EZ	\$175
(10) Multidrop Trunk Cable	61-100030-03	Cable, multidrop, 10 feet IB-131/IB-150 to IB-131/IB-150 ¹	\$30
(11) Object Detector (If applicable)	99-000017-01	Photo sensor, Visible, NPN, Dark On	\$175
Mounting Bracket (not shown)	10-000251-01	Mounting bracket for affixing the unit to flat surfaces	\$45

¹ Gender changer may be needed for IB-131 to IB-150; one gender changer included with 61-000113-01.

See QX-830 section for Multidrop configurations *Discounted like FIS

Auto ID Product Accessories

Protocol

Part Number	Description	List Price
20-500013-01	DeviceNet Protocol Box ¹	\$595
98-000056-02	Kit, Protocol Card, Ethernet TCP/IP, MS-890	\$595

¹ Part is not RoHS compliant.

Monitor (110 VAC only)

Part Number	Description	List Price
98-000096-01	Kit, Monitor 7" TFT LCD and Video I/O Cable, 10 feet	\$645

Right Angle Mirror Kits

Part Number	Description	List Price
98-200026-02	Right Angle Down Mirror Kit, MS-820	\$75
98-200036-01	Right Angle Down Mirror Kit, MS-9	\$75
98-000036-01	Right Angle Up Mirror Kit, Quadrus EZ	\$75
98-000088-01	Right Angle Up Mirror Kit, Small Imagers	\$50
98-000058-02	Kit, Extended Right Angle Mirror, MS-3	\$50

Package Detector/Sensor

Part Number	Description	List Price
99-000017-01	Photo Sensor, Visible, NPN, Dark On	\$175
99-000017-02	Photo Sensor, Visible, NPN, Light On	\$175
99-000019-01	Photo Sensor, Visible, NPN, Light On, 5VDC	\$175
99-000004-01	MS-890, Standard Diffuse, 120 inch Range, 4-pin Plug	\$225
99-000004-02	MS-890, Standard Diffuse, 120 inch Range, Untermated	\$225
99-000020-02	QX Photo sensor, M12 4pin Plug, NPN, Dark On, 2m	\$110
99-000020-01	QX Photo sensor, M12 4pin Plug, NPN, Dark Off, 2m	\$110

Cable / Connectivity

Part Number	Description	List Price
61-000010-02	Cable, Communication, DB-9 Socket to DB-9 Socket, 6 ft	\$30
61-000011-02	Cable, MS-820 to IB-131 (also use for MS-3, 4, 9, 710 and MINI Extension)	\$30
61-000033-02	Cable, Video I/O, 10 ft	\$30
61-000034-02	Cable, Communication, 9-pin D-sub Socket to 25-pin D-sub Socket	\$30
61-100029-03	Cable, IB to IB, 1 ft	\$30
61-300026-03	Cable, Communication, DB-25 Plug to DB-9 Socket, 6 ft	\$30
61-000095-01	ASSY, CABLE ADAPTER, IB-150 TO IB-131	\$30
61-000032-02	Cable, Quadruz EZ to IB-150	\$30
99-000008-02	Interface module, IB-150	\$150
61-000151-01	Cable, MINI USB, I/O Breakout, Flying Leads, 3ft	\$30
61-000154-01	Daisy Chain/Comm Adapter	\$75

Connector Kits

Part Number	Description	List Price
20-610024-01	Trigger Connector for IB-131, MS-820/860/880/9, 4-pin Plug	\$30
20-610020-01	Power Connector for IB-131, MS-820/860/880/9, 3-pin Socket	\$30

Power Supplies

Part Number	Description	List Price
97-000002-01	Power Supply, 90-264 VAC, +5 VDC, USA/Euro Plug	\$75
97-100004-15	Power Supply, 90-264 VAC, +24 VDC, RoHS Compliant, US and Euro Plug	\$125
97-000003-01	QX Power Supply, M12 12 pin Socket, 1.3m	\$110
97-000003-02	QX Power Supply, M12 12 pin Plug, 1.3m	\$110

Connectivity Box

Part Number	Description	List Price
FIS-0210-0001G	MS-Connect 210, Connectivity Box with Display	\$650
FIS-0210-0002G	MS-Connect 210, Connectivity Box	\$430
FIS-0210-0003G	MS-Connect 210, Connectivity Box with Display and Ethernet	\$850
FIS-0210-0004G	MS-Connect 210, Connectivity Box with Ethernet	\$650
61-000122-01	Cable, 19 pin to 25 pin, Host RS-422/485, 6 ft (10-28v Readers)	\$100
61-000123-01	Cable, 19 pin to 25 pin, Host RS-232, AUX RS-232, 6 ft (10-28V Readers)	\$100
61-000124-01	Cable, 19 pin to 25 pin, Ethernet, 6 ft (Quadrus EZ Only)	\$100
61-000127-02	Cable, 19 pin to 15 pin, 6 ft (5V Readers and MS-9)	\$100
61-000121-02	Cable, 19 pin to 15 pin, 3 ft (MS-820 only)	\$100
61-000066-02	Cable, MS-Connect 210 to MS-Q (must be stripped by user before wiring)	\$80
61-000105-01	Pre-stripped to 9pin host cable, 6 ft	\$30
98-000013-04	Pluggable Relay Module, 120VAC, Series 70, Type SM	\$47
98-000013-05	Pluggable Relay Module, 240VAC, Series 70, Type SM	\$47
98-000013-06	Pluggable Relay Module, 24VDC, Series 70, Type SM	\$47
98-000093-01	DIN Rail Mounting Kit	\$45
61-000158-01	QX Cordset, M12 12pin Plug & M12 12pin Socket to MS-Connect 210 (RS-232), 2m	\$225
61-000158-02	QX Cordset, M12 12pin Plug & M12 12pin Socket to MS-Connect 210 (RS-422), 2m	\$225

Interface Boxes

Part Number	Description	List Price
98-000014-02	IB-131 Kit (includes cable to MS-820)	\$175
99-000018-01	IB-131 Interface Box (used with MS-3/IC-332 and MS-9)	\$150
98-000040-02	IB-150 Kit, Quadrus EZ	\$175
99-000009-02	Interconnectivity, IB-151, RS-232 - Ethernet TCP/IP	\$100
98-000039-02	IB-152 Kit, DB25 Plug Terminal Block, DB25 Gender Changer	\$125
FIS-0001-0035G	IC-332, Connects 5V Reader to IB-131	\$150
98-000051-01	IC-3USB, USB Conversion Kit	\$75
FIS-0001-0030G	IB-3PC, Interface to PC	\$100
99-420003-04	Wiring Box Base, IB-890/FIS-0880-0002 *	\$300
98-000103-01	QX-1 Interface Box	\$155

*Part is not RoHS compliant.

Mounting Components

Part Number	Description	List Price
Mounting Arm Kits		
98-000016-01	Mounting Arm/Adapter Kit, 820/860, 6 inch	\$90
98-000017-01	Mounting Arm/Adapter Kit, IB-890, 6 inch	\$90
98-000018-01	Mounting Arm/Adapter Kit, MS-890, 6 inch	\$90
98-000019-01	Mounting Arm/Adapter Kit, MS-9, 6 inch	\$90
98-000020-01	Mounting Arm/Adapter Kit, Quadrus EZ//Quadrus Verifier, 6 inch	\$90
98-000048-01	Mounting Arm/Adapter Kit, MS-3, MS-4 and Quadrus MINI, 4 inch	\$70
Extension Arm Kits		
98-000037-01	Extension Kit, MS-890, MS-860, MS-820, MS-9, IB-890, 6 inch	\$55
98-000053-01	Extension Kit, MS-3, MS-4 and Quadrus MINI, 4 inch	\$35
98-000053-02	3-inch (75.6 mm) extension; MS-3, MS-4 and Quadrus MINI, 3"	\$35
Base Plates		
98-000046-01	Kit, Base Plate	\$40
98-000054-01	Kit, Mounting Stand Base Plate, Small	\$30
Standard Mounting Plates		
98-000091-01	MS-9 Standard Flat Mounting Plate Kit	\$20
98-500006-01	MS-820, MS-860 Standard Flat Mounting Plate Kit *	\$20
98-200037-01	MS-890 Standard Flat Mounting Plate Kit	\$40
98-000060-01	Kit, Bracket, Side Mount, MS-3	\$20
98-000059-01	Kit, Bracket, Angle Mount, MS-3	\$20
98-000057-01	Kit, Bracket, Through Hole Mount, MS-3	\$20

* Through-hole mounting plate; not for use with mounting arm.

Software / Manuals

Part Number	Description	List Price
37-000001-01	TOOLS CD, User's Manuals, ESP Software	\$30
37-000003-01	EZ Trax Software	\$500

Protocol Box/Card

Part Number	Description	List Price
20-500013-01	DeviceNet Protocol Box	\$595
98-000056-02	Kit, Protocol Card, Ethernet TCP/IP, MS-890	\$595

Machine Vision Systems** Visionscape PC Board and Software**



Frame Grabbers							
The Visionscape frame grabbers are used to capture images from a variety of machine vision cameras into the host PC memory. All Visionscape frame grabber boards offer on-board dedicated digital I/O for triggering, strobe control and general purpose I/O.							
Board Selector Guide	<table border="1"> <thead> <tr> <th>x740 Series Analog Frame Grabber</th> <th>x800 Series Digital CameraLink Frame Grabber</th> </tr> </thead> <tbody> <tr> <td> <ul style="list-style-type: none"> for applications that require up to four progressive scan analog cameras that require higher resolutions or higher speeds that require simultaneous image acquisition on up to four channels that require different camera resolutions </td> <td> <ul style="list-style-type: none"> for applications that require high-speed and/or high-resolution area scan cameras that require line scan cameras </td> </tr> <tr> <td> <ul style="list-style-type: none"> Progressive scan and interlaced analog cameras Four independent channels High resolution up to 2K x 2K Supports special features such as electronic shuttered, frame reset, or partial scan cameras </td> <td> <ul style="list-style-type: none"> One digital CameraLink Base level channel Supports of Area Scan and Line Scan High-speed and high-resolution image acquisition </td> </tr> </tbody> </table>	x740 Series Analog Frame Grabber	x800 Series Digital CameraLink Frame Grabber	<ul style="list-style-type: none"> for applications that require up to four progressive scan analog cameras that require higher resolutions or higher speeds that require simultaneous image acquisition on up to four channels that require different camera resolutions 	<ul style="list-style-type: none"> for applications that require high-speed and/or high-resolution area scan cameras that require line scan cameras 	<ul style="list-style-type: none"> Progressive scan and interlaced analog cameras Four independent channels High resolution up to 2K x 2K Supports special features such as electronic shuttered, frame reset, or partial scan cameras 	<ul style="list-style-type: none"> One digital CameraLink Base level channel Supports of Area Scan and Line Scan High-speed and high-resolution image acquisition
x740 Series Analog Frame Grabber	x800 Series Digital CameraLink Frame Grabber						
<ul style="list-style-type: none"> for applications that require up to four progressive scan analog cameras that require higher resolutions or higher speeds that require simultaneous image acquisition on up to four channels that require different camera resolutions 	<ul style="list-style-type: none"> for applications that require high-speed and/or high-resolution area scan cameras that require line scan cameras 						
<ul style="list-style-type: none"> Progressive scan and interlaced analog cameras Four independent channels High resolution up to 2K x 2K Supports special features such as electronic shuttered, frame reset, or partial scan cameras 	<ul style="list-style-type: none"> One digital CameraLink Base level channel Supports of Area Scan and Line Scan High-speed and high-resolution image acquisition 						
Camera Interface Options Various frame grabbers and plugged in daughter cards support a wide variety of camera interface options							
System Components	<p>Every Visionscape Oxxx frame grabber package contains the following components:</p> <ul style="list-style-type: none"> Frame grabber board Connection kit for external I/O board Consists of 50-pin ribbon cable and I/O filter board with bezel Internal power cable to connect board to PC internal 12V power supply; required to supply 12V power to analog cameras Camera splitter adapter for up to four cameras (only in O300 & O740 board packages) Visionscape Software (latest version) and complete documentation on CD 						
PC Requirements	<ul style="list-style-type: none"> Pentium 4, 2.4 GHz or higher with a minimum of 256 MB memory VGA display adapter – 64K or true color Microsoft Windows 2000 SP4 or Microsoft Windows XP SP2 or later One open *5 V/32 bit PCI 2.2 compliant expansion slot (half length) <p>Important note for O800 board: The additional connector fingers of the board's Universal PCI extend beyond PCI standard connector. This does not affect the board's functioning.</p> <ul style="list-style-type: none"> Alternative for O800 board only: One open *3.3 V/64 bit Universal PCI 2.3 compliant expansion slot (half length) – The usage of the Universal PCI bus allows the O800 board a faster data transfer to the host PC's CPU and memory. If I/O is required: one open slot for internal I/O 						

Visionscape PC Boards and Software

Part Number	Description	List Price
GMV-VS74-0FP0	VISIONSCAPE 0740 PCI BOARD + SW	\$6,495
GMV-VS81-0FP0	VISIONSCAPE 0800 PCI BOARD + SW	\$6,495

Visionscape Board Accessories

Part Number	Description	List Price
98-S00-0SW1	VISIONSCAPE SOFTWARE V3.7 CD	\$39
GMV-S00-1KF0	INTELLIFIND PARALLEL PORT DONGLE	\$1,093
GMV-S00-1KS0	VISIONSCAPE PARALLEL PORT DONGLE	\$3,845
GMV-S00-2KF0	INTELLIFIND USB DONGLE	\$1,093
GMV-S00-2KS0	VISIONSCAPE USB DONGLE	\$3,845

Prices and Specifications Subject to Change

\$100 Minimum Order

Tel: 425.226.5700
Fax: 425.226.8250

07-000001-01, Rev Y
www.microscan.com

Confidential Document

Page 90 of 117

Visionscape GigE Solution

Supports Smart Camera and PC Based Machine Vision

Up to 8 Microscan GigE cameras
Support for Visionscape Smart Camera

Flexible IO

PC based discrete IO
Strobe and trigger at camera

Out of Box Experience

Run-time is licensed – setup is license free
Improvements for initial set-up

Platforms and Customization

XP and Vista
Microsoft .Net



Visionscape Software

Part Number	Description	List Price
GMV-VGL0-0DD0	Visionscape GigE License	\$2,500
GMV-VGL0-1DD0	Visionscape GigE License with Intellifind	\$2,895
GMV-VGL0-2DD0	Intellifind Upgrade for Basic Visionscape GigE License	\$495

GigE Cameras

Part Number	Description	List Price
98-000113-01	Visionscape GigE Camera - VGA Mono CMOS (CMGC03 - 752 x 480 pixels)	\$1,200
98-000114-01	Visionscape GigE Camera - VGA Color CMOS (CMGC03C - 752 x 480 pixels)	\$1,200
98-000115-01	Visionscape GigE Camera - VGA Mono CCD (CMG03 - 656 x 494 pixels)	\$1,350
98-000116-01	Visionscape GigE Camera - VGA Color CCD (CMG03C - 656 x 494 pixels)	\$1,350
98-000141-01	Visionscape GigE Camera - VGA Mono CCD - 1/2 in sensor (CMG04 - 656 x 494 pixels)	\$1,600
98-000117-01	Visionscape GigE Camera - XGA Mono CCD (CMG08 - 1032 x 776 pixels)	\$1,600
98-000118-01	Visionscape GigE Camera - SXGA Mono CCD (CMG13 - 1392 x 1040 pixels)	\$2,245
98-000119-01	Visionscape GigE Camera - UXGA Mono CCD (CMG20 - 1624 x 1236 pixels)	\$2,595
98-000120-01	Visionscape GigE Camera - QSXGA Mono CCD (CMG50 - 2448 x 2050 pixels)	\$4,450
98-000121-01	Visionscape GigE Camera - VGA Mono CCD - Power over Ethernet (CMG03-P 656 x 494 pixels)	\$1,500

Accessories

Part Number	Description	List Price
98-000130-01	PCIe DIO Card 16in/16out Isolated w cable and terminal	\$575
98-000140-01	Single Port GigE Network Interface Card PCIe	\$100
98-000132-01	Dual Port GigE Network Interface Card PCIe	\$315
98-000131-01	GigE 5 Port Switch with Jumbo Packet Support	\$100
98-000138-01	Visionscape GigE Camera Power Supply 24v 100-250v 50-60 Hz	\$95
98-000126-01	Visionscape GigE Camera Strobe/Trigger M8-4 to Pigtail 5m	\$75
98-000129-01	Visionscape GigE Camera Power Cable M8-3 to Pigtail 5m	\$55
98-000133-01	CAT6 Ethernet Cable Jack Screws to RJ45 High Flex 2 m	\$65
98-000134-01	CAT6 Ethernet Cable Jack Screws to RJ45 High Flex 5 m	\$85
98-000124-01	GigE 4 Port Switch - Power over Ethernet (PoE) Injection	\$695
98-000125-01	GigE Power Midspan Power Injector - 2 inputs & 2 outputs	\$395
98-000139-01	Demo Kit - Software Lic., VGA CCD GigE Camera, Power Supply, Trigger Cable, Ethernet Cable	\$3,850

Visionscape Smart Camera

	HawkEye 1610TS-VGA without Intellifind	HawkEye 1610TH-XGA without Intellifind
	HawkEye 1610TIS-VGA with Intellifind	HawkEye 1610TIH-XGA with Intellifind
Processor	High-performance RISC processor with integrated Floating Point Unit (FPU)	
Memory	Floating Point Unit (FPU) 16 MB non-volatile flash memory/64 MB SDRAM	
Image Capture	Progressive scan, full frame and partial frame	
Repetition Frequency	60 full-frame images per second	30 full-frame images per second
Image Resolution	VGA 640 x 480 pixels nominally 648 x 494 pixels practically	XGA 1024 x 768 pixels



HawkEye Series 1600T

Part Number	Description	List Price
GMV-0HT16-0CM0G	SMARTCAM HAWKEYE1610TS STD RES NO INTELLIFIND	\$5,411
GMV-0HF16-0CM0G	SMARTCAM HAWKEYE1610TIS STD RES & INTELLIFIND	\$5,953
GMV-1HT16-0CM0G	SMARTCAM HAWKEYE1610TH HIGHRES NO INTELLIFIND	\$7,036
GMV-1HF16-0CM0G	SMARTCAM HAWKEYE1610TIH HR & INTELLIFIND	\$7,578
GMV-1HF16-0SK0G	HAWKEYE1610T/VISIONSCAPE STARTER KIT	\$7,578

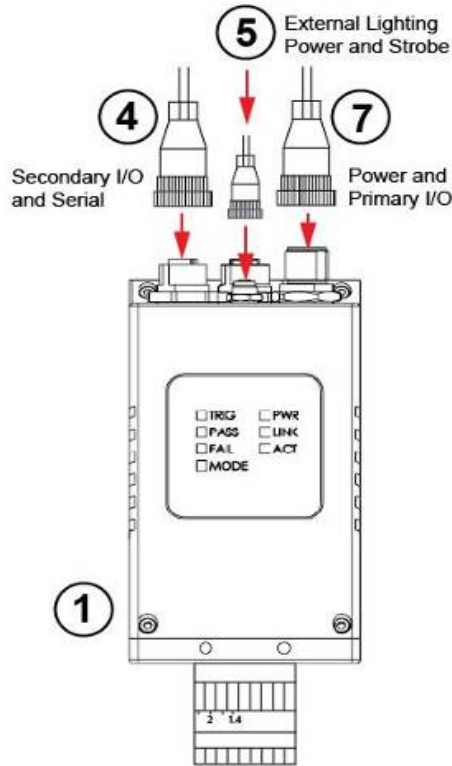
HawkEye Series 1600T Accessories

Part Number	Description	List Price
98-HT00-0CD2	HAWKEYE1600T SERIAL COMM CABLE M12-8 - DB9 2M	\$160
98-HT00-0CE0	HAWKEYE1600T CABLE – ETHERNET HAWKEYE M12 TO RJ45 10M	\$117
98-HT00-0CE2	HAWKEYE1600T CABLE – ETHERNET HAWKEYE M12 TO RJ45 2M	\$75
98-HT00-0CL5	HAWKEYE1600T LIGHTING CABLE M5 TO PIGTAIL 5M	\$80
98-HT00-0CM1	HAWKEYE1600T CAMERA MOUNT ADAPTER M6 & 1/4 19	\$75
98-HT00-0CM2	HAWKEYE1600T MOUNT ADAPTER BACK COMPATIBLE TO HE1600 - EXTRA RIDGID MOUNT	\$197
98-HEDSL	HAWKEYE 1500/1600 DEMO STAND W/LG SHAFT	\$235
98-HT00-0CP0	HAWKEYE1600T POWER + IO M12-8 TO PIGTAIL 10M	\$144
98-HT00-0CS0	HAWKEYE1600T SERIAL+SECIO M12-8 - PIGTAIL 10M	\$144
98-HT00-0LD1	DOAL 50 LIGHT W HAWKEYE1600T DIRECT CONNECT -	\$725
98-HT00-0LF1	NER DF100 LIGHT W HAWKEYE1600T DIRECT CONNECT	\$651
98-HT00-0LM1	HAWKEYE1600T MOUNT FOR NER DOAL & DF100 LIGHT	\$533
98-HT00-0LR1	NER R60 LIGHT W HAWKEYE1600T DIRECT CONNECT -	\$459
98-HT00-0PS0	HAWKEYE1600T POWER SUPPLY KIT UNIVERSAL AC TO M12	\$245
98-HT00-0TA1	HAWKEYE 1610T IP67 VS100 GLASS LENS PROTECTION TUBE W/ADAPTER	\$450
98-HT00-0TA2	HAWKEYE 1610T IP67 VS100 NON-GLASS LENS PROTECTION TUBE W/ADAPTER	\$450
98-HT00-0LP1	HE1600T DIRECT CONNECT PHARMA LIGHT WHITE DARK FIELD STROBE 1.5 x 2 IN. FOV	\$845

Tech Reference *Visionscape SC*

Stand Alone RS232

A single reader is connected directly to the host.



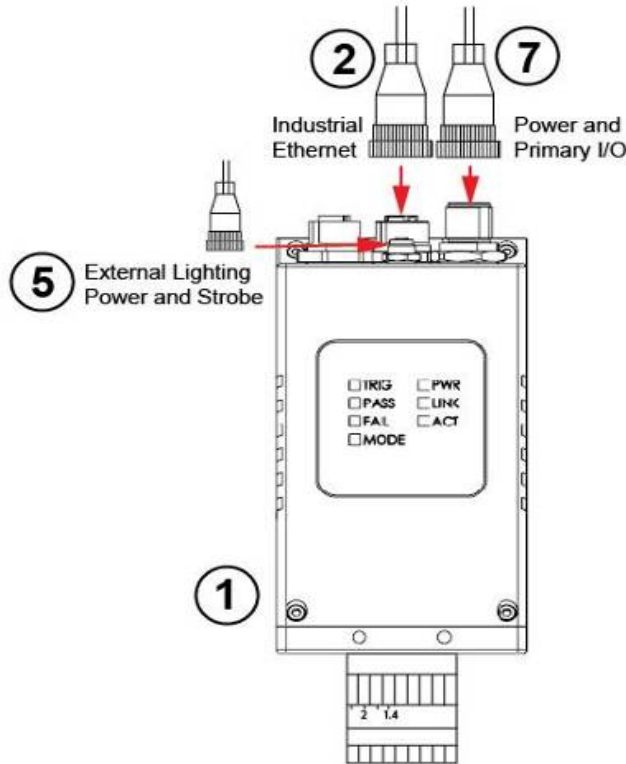
System Matrix

Product	Part Number	Description	List Price
(1) HE1600T	GMV-XHX16-0CM0G	Visionscape Smart Camera Smart Camera	Varies
(3) Comm Cable	98-HT00-0CD2	Serial Communication Cable, M12-to-DB9, 2 meters	\$160
(4) I/O Cable	98-HT00-0CS0	Secondary I/O and Serial Cable, M12-to-Pigtail, 10 meters	\$144
(5) Lighting Cable	98-HT00-0CL5	Lighting Cable, M5-to-Pigtail, 5 meters	\$80
(6) Power Supply	98-HT00-0PS0	PowerSupply Kit, Universal AC-to-M12	\$245
(7) Power Cable	98-HT00-0CP0	Power and Primary I/O Cable, M12-to-Pigtail, 10 meters	\$144

Tech Reference *Visionscape SC*

Stand Alone Ethernet

A single reader is connected directly to the host via Ethernet.



System Matrix

Product	Part Number	Description	List Price
(1) HE1600T	GMV-XHX16-0CM0G	Visionscape Smart Camera Smart Camera	Varies
(2) Ethernet Cable	98-HT00-0CE0	Industrial Ethernet Cable, M12-to-RJ45, 10 meters	\$117
	98-HT00-0CE2	Industrial Ethernet Cable, M12-to-RJ45, 2 meters	\$75
(4) I/O Cable	98-HT00-0CS0	Secondary I/O and Serial Cable, M12-to-Pigtail, 10 meters	\$144
(5) Lighting Cable	98-HT00-0CL5	Lighting Cable, M5-to-Pigtail, 5 meters	\$80
(6) Power Supply	98-HT00-0PS0	PowerSupply Kit, Universal AC-to-M12	\$245
(7) Power Cable	98-HT00-0CP0	Power and Primary I/O Cable, M12-to-Pigtail, 10 meters	\$144

Machine Vision Accessories*



Machine Vision Hardware Accessories		
Part Number	Description	List Price
98-A1203701	MINI OPTO I/O BOARD W/PLUG&HOOD	\$544
98-97700071	FIBER OPTIC LIGHT GUIDE 1" X 6' LG	\$1,072
98-97700061	OUTPUT MODULE G4	\$267
98-VS00-1SM0	G4 INPUT MODULE WITH SWITCH	\$66
98-VS00-2SM0	G4 OUTPUT MODULE WITH SWITCH	\$66
98-VS08-0ECO	ENCODER CABLE FOR LINE SCAN SYNC	\$160
98-VS10-0SM0	INTERNAL PC 10-PT I/O & STROBE CNTRL BOARD	\$544
98-VS16-1SM0	G4 INPUT MODULE 2.5-16V DCM	\$45
98-VS24-0SM0	EXTERNAL I/O AND STROBE CNTRL BOARD KIT - 24 POINT	\$1,211
98-VS28-1SM0	G4 INPUT MODULE 2.5-28VDC (1MS/1.5MS RESP)	\$45
98-VS28-2SM0	G4 OUTPUT MODULE 24-280V AC	\$45
98-VS32-1SM0	G4 INPUT MODULE 10 - 32V DC	\$45
98-VS60-2SM0	G4 OUTPUT MODULE 5-60V DC	\$45
98-001901251	G4 INPUT MODULE 180-280 VAC (2MS/20MS)	\$59
98-001901256	G4 OUTPUT MODULE OPTO 0-100 VDC	\$59
98-001904091	CAL TARGET FOV (1.87 TO 3.0MM)	\$1,264
98-001904092	CAL TARGET FOV (2.80 TO 4.50MM)	\$1,264
98-001904093	CAL TARGET FOV (4.20 TO 6.75MM)	\$1,264
98-001904094	CAL TARGET FOV (6.34 TO 10.2MM)	\$1,264
98-001904095	CAL TARGET FOV (9.33 TO 15.0MM)	\$1,264
98-001904096	CAL TARGET FOV (14.0 TO 22.5MM)	\$1,264
98-001904097	CAL TARGET FOV (20.5 TO 33.0MM)	\$1,264
98-001904098	CAL TARGET FOV (47.3 TO 76.1MM)	\$1,264
98-001904099	CAL TARGET FOV (63.1 TO 101MM)	\$1,264
98-001904100	CAL TARGET FOV (94.7 TO 152MM)	\$1,264
98-001904101	CAL TARGET FOV (158 TO 254MM)	\$1,264
98-001904175	CAL TARGET FOV 30.8 TO 49.5MM	\$1,264

Machine Vision Camera Accessories		
Part Number	Description	List Price
98-030161702	CBL,DIR BRKOUT TO 4 CAM D-SUB,6FT	\$469
98-030161701	CBL,DIR BRKOUT TO 4 CAM D-SUB,18"	\$437
98-030161700	CBL,DIR BRKOUT TO 4 CAM D-SUB 8"	\$437
98-030161600	CBL,DIR BRKOUT TO 2 CAM D-SUB 8"	\$341
98-A1206395	CAMERALINK SIGNAL CABLE 5 METER	\$437
98-A1201502	CAMERA VIDEO & POWER CABLE	\$549
98-VS01-0CX0	ANALOG CAMERA A33A VGA PROGRESSIVE SCAN	\$981
98-VS03-1XC0	HI-RES CAM VIDEO & PWR CBL - 10FT / 3M (FOR 98-VS01-0CX0 AND 98-VS31-0CX0)	\$304
98-VS07-1XC0	HI-RES CAM VIDEO & PWR CBL - 25FT / 7.5M (FOR 98-VS01-0CX0 AND 98-VS31-0CX0)	\$336
98-VS15-1XC0	HI-RES CAM VIDEO & PWR CBL - 50FT / 15M (FOR 98-VS01-0CX0 AND 98-VS31-0CX0)	\$395
98-VS31-0CX0	ANALOG CAMERA A152A SXGA PROGRESSIVE SCAN	\$2,197

Machine Vision Optical Accessories		
Part Number	Description	List Price
98-92800471	5MM EXTENSION TUBE FOR C-MOUNT LENSES	\$33
98-CO206	LENS EXTENSION TUBE SET 0.5, 1, 5, 10, 20, 40MM	\$128
98-92800571	LENS 8MM F/1.4-16, FT 25.5MM P 0.5MM, 2/3" C-MNT	\$347
98-92800572	LENS 12MM F/1.8-16, FT 25.5MM P 0.5MM, 2/3" C-MNT	\$347
98-92800573	LENS 16MM F/1.4-16, FT 25.5MM P 0.5MM, 2/3" C-MNT	\$347
98-92800574	LENS 25MM F/1.6-16, FT 25.5MM P 0.5MM, 2/3" C-MNT	\$347
98-92800575	LENS 35MM F/2.1-22, FT 25.5MM P 0.5MM, 2/3" C-MNT	\$347
98-92800576	LENS 50MM F/2.8-22, FT 25.5MM P 0.5MM, 2/3" C-MNT	\$347
98-92800577	LENS 75MM F/3.9-32, FT 25.5MM P 0.5MM, 2/3" C-MNT	\$347
98-92800311	SKYLIGHT FILTER 25.5MM THREAD	\$66
98-92800311	LENS,SKYLIGHT UV FILTER 25.5MM	\$66
98-92800371	POLARIZING FILTER 25.5MM THREAD	\$89
98-92800372	LENS, FILTER POLARIZING 27.0MM P0.4	\$89
NER-92700592	STROBE SOURCE X-400 1201-3600 PPM	\$4,197

Prices and Specifications Subject to Change

\$100 Minimum Order

Confidential Document

Tel: 425.226.5700
Fax: 425.226.8250

07-000001-01, Rev Y
www.microscan.com

Page 95 of 117

Machine Vision Industry Solutions*

EZ Match*



EZ MATCH COLOR

Narrow bar-width		Field of view (width) (maximum)	Read range
1D	2D		
.005" (.13mm)	.0075" (.19 mm)	4.2" (106.7 mm)	3.6 to 4.5" (91.4 mm to 114.3 mm)
.0075" (.19 mm)	.010" (.25 mm)	4.5" (114.3 mm)	3.4 to 4.9" (86.4 mm to 124.5 mm)
.010" (.25 mm)	.015" (.38 mm)	5.5" (139.7 mm)	2.9 to 5.6" (73.7 mm to 142.2 mm)

EZ MATCH

Narrow bar-width		Field of view (width) (maximum)	Read range
1D	2D		
.0075" (.19 mm)	.010" (.25 mm)	4.2" (106.7 mm)	3.3 to 4.5" (83.8 mm to 114.3 mm)
.010" (.25 mm)	.015" (.38 mm)	4.5" (114.3 mm)	2.75 to 5.0" (69.9 mm to 127 mm)

Demo Kits

Part Number	Description	List Price
FIS-0004-1000G	EZ MATCH, B&W, Serial	\$2,750
FIS-0004-1001G	EZ MATCH, 3MP, COLOR, Serial	\$3,300

Note:

Visit MS-3 Laser section for stand alone configuration references

Visionscape I-Pak**



Visionscape I-PAK

Part Number	Description	List Price
GMV-IP74-0SE0	I-PAK SE - Stainless Enclosure with IPC 677B Panel PC and Visionscape 0740 board. Requires UPS	\$28,995
GMV-IP81-0SE0	I-PAK SE - Stainless Enclosure with IPC 677B Panel PC and Visionscape 0800 board. Requires UPS	\$28,995
GMV-IP74-0SK0	I-PAK SK with Visionscape 0740 board for analog cameras	\$8,495
GMV-IP81-0SK0	I-PAK SK with Visionscape 0800 board for analog cameras	\$8,495
GMV-IP16-0HE0	I-PAK HE Pharma Industry 11CFR Part GUI for Visionscape Smart Camera HE1600T, CD	\$995

Visionscape I-PAK Accessories

Part Number	Description	List Price
98-209191	UPS 230VAC, EU universal, with cables for I-PAK	\$600
98-209181	UPS 120VAC, US, with cables for I-PAK	\$600
98-209211	I-PAK SE Floor Stand - Stainless Column 1.5m	\$3,500
98-209221	I-PAK SE Shelf Mount System - Stainless	\$2,500
98-200431	I-PAK SE Tilt and Swivel Floor Stand	\$2,500
98-209441	I-PAK SE Adapter to Tilt and Swivel Floor Stand	\$400
98-209241	I-PAK SE Cable UPS to PC	\$65
98-602151	I-PAK SE UPS UK cable and plug for 220VAC 3m	\$35
98-HT00-0LP1	HE1600T DIRECT CONNECT PHARMA LIGHT WHITE DARK FIELD STROBE 1.5 x 2 IN. FOV	\$845

MS-96 Vial Reader



MS-96 Vial Reader

Part Number	Description	List Price
FIS-VRKIT2	VIAL READER WITH 25 FT INTERFACE CABLE	\$11,500
FIS-VRKIT1	VIAL READER WITH 10 FT INTERFACE CABLE	\$11,500

Instrument and Tool Reader (ITR)



Instrument and Tool Reader

Part Number	Description	List Price
FIS-ITR1517W	INSTRUMENT & TOOL READER (WHITE LED'S)	\$5,000

NERLITE® RINGLIGHTS

NERLITE® LED Ringlights are economical and practical choices for illuminating diffused or specular surfaces.



Note: For basic applications continuous lights only require a light + power supply

60 mm Continuous		
Part Number	Description	List Price
NER-011605010	R-60-2, R LED-ND/D, 24V-C, 4.5M (15 ft.) Cbl w/Flying Leads	\$392
NER-011605040	R-60-2, W LED-ND/D, 24V-C, 4.5M (15 ft.) Cbl w/Flying Leads	\$486
NER-011605070	R-60-2, B LED-ND/D, 24V-C 4.5M (15 ft.) Cbl w/Flying Leads	\$486
NER-011605098	R-60-2, IR LED-ND/D, 24V-C 4.5M (15 ft.) Cbl w/Flying Leads	\$486
70 mm Continuous		
NER-011604810	R-70-2, R LED-ND/D, 24V-C, 4.5M (15 ft.) Cbl w/Flying Leads	\$392
NER-011604840	R-70-2, W LED-ND/D, 24V-C, 4.5M (15 ft.) Cbl w/Flying Leads	\$486
NER-011604870	R-70-2, B LED-ND/D, 24V-C 4.5M (15 ft.) Cbl w/Flying Leads	\$486
NER-011604898	R-70-2, IR LED-ND/D, 24V-C 4.5M (15 ft.) Cbl w/Flying Leads	\$486
NER-011605891	R-70, UV LED, 24V-C 4.5M [15FT] Cbl w/Flying Leads	\$486
100 mm Continuous		
NER-011607016	R-100-2 V2, R LED-ND/D, 24V-C, 4.5M (15 ft.) Cbl w/Flying Leads	\$509
NER-011607046	R-100-2 V2, W LED-ND/D, 24V-C, 4.5M (15 ft.) Cbl w/Flying Leads	\$662
NER-011607070	R-100-2 V2, B LED-ND/D, 24V-C 4.5M (15 ft.) Cbl w/Flying Leads	\$662
NER-011607099	R-100-2 V2, IR LED-ND/D, 24V-C 4.5M (15 ft.) Cbl w/Flying Leads	\$662
Power Supply (60, 70, 100 mm continuous)		
NER-011504100	DSP60 24VDC 2.5A DIN Mount Power Supply	\$190
Power Supply Cordsets		
NER-030028300	AC Power Cord for DSPxx Power Supply, US	\$55
NER-030028400	AC Power Cord for DSPxx Power Supply, EU	\$55
NER-030028500	AC Power Cord for DSPxx Power Supply, UK	\$55

Note: For high speed or high intensity applications strobed lights require a light + controller + power supply

60 mm Strobe		
Part Number	Description	List Price
NER-011605020	R-60-2, R LED-ND/D, 24V-S, 4.5M (15 ft.) Cbl w/Flying Leads	\$392
NER-011605050	R-60-2, W LED-ND/D, 24V-S, 4.5M (15 ft.) Cbl w/Flying Leads	\$486
NER-011605080	R-60-2, B LED-ND/D, 24V-S 4.5M (15 ft.) Cbl w/Flying Leads	\$486
NER-011605099	R-60-2, IR LED-ND/D, 24V-S 4.5M (15 ft.) Cbl w/Flying Leads	\$486
70 mm Strobe		
NER-011604820	R-70-2, R LED-ND/D, 24V-S, 4.5M (15 ft.) Cbl w/Flying Leads	\$392
NER-011604850	R-70-2, W LED-ND/D, 24V-S, 4.5M (15 ft.) Cbl w/Flying Leads	\$486
NER-011604880	R-70-2, B LED-ND/D, 24V-S 4.5M (15 ft.) Cbl w/Flying Leads	\$486
NER-011604899	R-70-2, IR LED-ND/D, 24V-S 4.5M (15 ft.) Cbl w/Flying Leads	\$486
NER-011605897	R-70, UV LED, 24V-S 4.5M [15FT] Cbl w/Flying Leads	\$486
100 mm Strobe		
NER-011607020	R-100-2 V2, R LED-ND/D, 24V-S, 4.5M (15 ft.) Cbl w/Flying Leads	\$509
NER-011607050	R-100-2 V2, W LED-ND/D, 24V-S, 4.5M (15 ft.) Cbl w/Flying Leads	\$662
NER-011607080	R-100-2 V2, B LED-ND/D, 24V-S 4.5M (15 ft.) Cbl w/Flying Leads	\$662
NER-011607095	R-100-2 V2, IR LED-ND/D, 24V-S 4.5M (15 ft.) Cbl w/Flying Leads	\$662
Power Supply/Controllers (60, 70, 100 mm strobe)		
NER-011504100	DSP60 24VDC 2.5A DIN Mount Power Supply	\$190
NER-011503300	PP600 2-CHNL PUSH BUTTON MV LIGHTING CURRENT CONTROLLER	\$860
NER-011503301	PP610 2 CHNL RS232 MV LIGHTING CURRENT CONTROLLER	\$1,220
Power Supply Cordsets		
NER-030028300	AC Power Cord for DSPxx Power Supply, US	\$55
NER-030028400	AC Power Cord for DSPxx Power Supply, EU	\$55
NER-030028500	AC Power Cord for DSPxx Power Supply, UK	\$55

NERLITE® RINGLIGHT ACCESSORIES

Note: For mounting and alternate focused optics use the following

60 mm Mounts and Optics

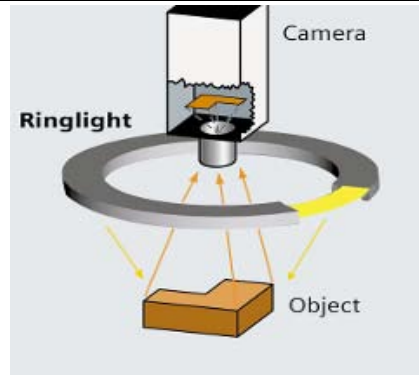
Part Number	Description	List Price
NER-080108200	R-60 V2 Lens Adapter 25.5 mm	\$40
NER-080108201	R-60 V2 Lens Adapter 27.0 mm	\$40
NER-080108203	R-60 V2 Lens Adapter 30.5 mm	\$40
NER-080108202	R-60 V2 Lens Adapter 40.5 mm	\$40
NER-035026202	Fresnel (focusing) Lens, R-60 V2, FL = 70mm	\$100
NER-035026203	Fresnel (focusing) Lens, R-60 V2, FL = 102mm	\$100
NER-035026204	Fresnel (focusing) Lens, R-60 V2, FL = 127mm	\$100

70 mm Mounts and Optics

NER-080103900	R-70 V2 Lens Adapter 25.5 mm	\$40
NER-080092600	R-70 V2 Lens Adapter 27.0 mm	\$40
NER-080092501	R-70 V2 Lens Adapter 30.5 mm	\$40
NER-080092500	R-70 V2 Lens Adapter 40.5 mm	\$40
NER-035025202	Fresnel (focusing) Lens, R-70 V2, FL = 70mm	\$100
NER-035025203	Fresnel (focusing) Lens, R-70 V2, FL = 102mm	\$100
NER-035025204	Fresnel (focusing) Lens, R-70 V2, FL = 127mm	\$100

100 mm Mounts and Optics

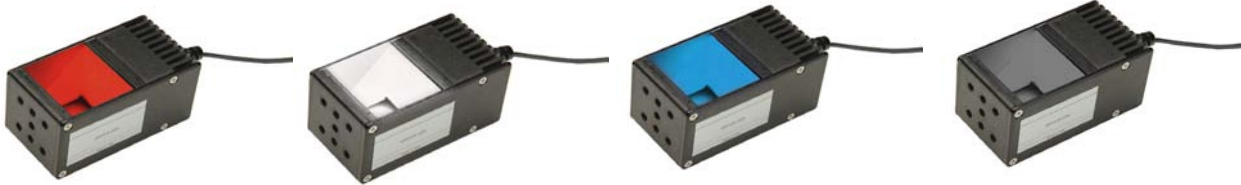
NER-080114000	R-100 V2 Lens Adapter 25.5 mm	\$40
NER-080114001	R-100 V2 Lens Adapter 27.0 mm	\$60
NER-080114002	R-100 V2 Lens Adapter 30.5 mm	\$60
NER-080114003	R-100 V2 Lens Adapter 40.5 mm	\$60
NER-035027602	Fresnel (focusing) Lens R-100 V2, FL = 70mm	\$100
NER-035027603	Fresnel (focusing) Lens R-100 V2, FL = 102mm	\$100
NER-035027604	Fresnel (focusing) Lens R-100 V2, FL = 127mm	\$100
NER-035027605	Fresnel (focusing) Lens R-100 V2, FL = 152mm	\$110



NERLITE® DOAL® and OAL® LIGHTS

NERLITE Diffuse On-Axis Light (DOAL®) provides diffuse, uniform illumination for flat, specular surfaces. On-Axis Light (OAL®) provide non diffuse, uniform illumination for flat, specular surfaces.

V2 Lights provide up to twice the light intensity of their predecessors, are passively-cooled and suitable for clean room use.

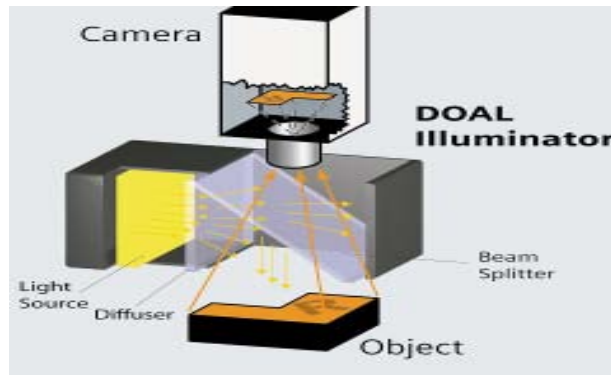


Note: For basic applications continuous lights only require a light + power supply

25 mm Continuous		
Part Number	Description	List Price
NER-011201305	DOAL-25, R LED-D, 24V-C, 4.5M (15 ft.) Cbl w/Flying Leads	\$500
NER-011201313	DOAL-25, W LED-D, 24V-C, 4.5M (15 ft.) Cbl w/Flying Leads	\$575
50 mm Continuous		
NER-011200814	DOAL-50 V2, R LED-D, 24V-C, 4.5M (15 ft.) Cbl w/Flying Leads	\$615
NER-011200824	DOAL-50 V2, W LED-D, 24V-C, 4.5M (15 ft.) Cbl w/Flying Leads	\$870
NER-011200834	DOAL-50 V2, B LED-D, 24V-C, 4.5M (15 ft.) Cbl w/Flying Leads	\$870
NER-011200892	DOAL-50 V2, IR LED-D, 24V-C, 4.5M (15 ft.) Cbl w/Flying Leads	\$870
NER-011208800	OAL-50 V2, UV LED-ND, 24V-C, 4.5M (15 ft.) Cbl w/Flying Leads	\$870
75 mm Continuous		
NER-011200502	DOAL-75, R LED-D, 24V-C, 4.5M (15 ft.) Cbl w/Flying Leads	\$1,195
NER-011204902	DOAL-75, W LED-D, 24V-C, 4.5M (15 ft.) Cbl w/Flying Leads	\$1,950
NER-011205720	DOAL-75, B LED-D, 24V-C, 4.5M (15 ft.) Cbl w/Flying Leads	\$1,950
NER-011200506	DOAL-75, IR LED-D, 24V-C, 4.5M (15 ft.) Cbl w/Flying Leads	\$1,950
100 mm Continuous		
NER-011200602	DOAL-100, R LED-D, 24V-C, 4.5M (15 ft.) Cbl w/Flying Leads	\$1,350
NER-011204601	DOAL-100, W LED-D, 24V-C, 4.5M (15 ft.) Cbl w/Flying Leads	\$2,510
NER-011204610	DOAL-100, B LED-D, 24V-C, 4.5M (15 ft.) Cbl w/Flying Leads	\$2,510
NER-011200603	DOAL-100, IR LED-D, 24V-C, 4.5M (15 ft.) Cbl w/Flying Leads	\$2,510
Power Supply (25, 50,75, 100 mm continuous)		
NER-011504100	DSP60 24VDC 2.5A DIN Mount Power Supply	\$190
Power Supply Cordsets		
NER-030028300	AC Power Cord for DSPxx Power Supply, US	\$55
NER-030028400	AC Power Cord for DSPxx Power Supply, EU	\$55
NER-030028500	AC Power Cord for DSPxx Power Supply, UK	\$55

Note: For high speed or high intensity applications strobed lights require a light + controller + power supply

25 mm Strobe		
Part Number	Description	List Price
NER-011201314	DOAL-25, R LED-D, 24V-S, 4.5M (15 ft.) Cbl w/Flying Leads	\$500
50 mm Strobe		
NER-011200812	DOAL-50 V2, R LED-D, 24V-S, 4.5M (15 ft.) Cbl w/Flying Leads	\$615
NER-011200822	DOAL-50 V2, W LED-D, 24V-S, 4.5M (15 ft.) Cbl w/Flying Leads	\$870
NER-011200832	DOAL-50 V2, B LED-D, 24V-S, 4.5M (15 ft.) Cbl w/Flying Leads	\$870
NER-011200897	DOAL-50 V2, IR LED-D, 24V-S, 4.5M (15 ft.) Cbl w/Flying Leads	\$870
NER-011208801	OAL-50 V2, UV LED-ND, 24V-S, 4.5M (15 ft.) Cbl w/Flying Leads	\$870
75 mm Strobe		
NER-011200501	DOAL-75, R LED-D, 24V-S, 4.5M (15 ft.) Cbl w/Flying Leads	\$1,195
NER-011204901	DOAL-75, W LED-D, 24V-S, 4.5M (15 ft.) Cbl w/Flying Leads	\$1,950
NER-011205721	DOAL-75, B LED-D, 24V-S, 4.5M (15 ft.) Cbl w/Flying Leads	\$1,950
NER-011200507	DOAL-75, IR LED-D, 24V-S, 4.5M (15 ft.) Cbl w/Flying Leads	\$1,950
100 mm Strobe		
NER-011200601	DOAL-100, R LED-D, 24V-S, 4.5M (15 ft.) Cbl w/Flying Leads	\$1,350
NER-011204600	DOAL-100, W LED-D, 24V-S, 4.5M (15 ft.) Cbl w/Flying Leads	\$2,510
NER-011204611	DOAL-100, B LED-D, 24V-S, 4.5M (15 ft.) Cbl w/Flying Leads	\$2,510
NER-011200605	DOAL-100, IR LED-D, 24V-S, 4.5M (15 ft.) Cbl w/Flying Leads	\$2,510
Power Supply/Controllers (25, 50, 75, 100 mm strobe)		
NER-011504100	DSP60 24VDC 2.5A DIN Mount Power Supply	\$190
NER-011503300	PP600 2-CHNL PUSH BUTTON MV LIGHTING CURRENT CONTROLLER	\$860
NER-011503301	PP610 2 CHNL RS232 MV LIGHTING CURRENT CONTROLLER	\$1,220
Power Supply Cordsets		
NER-030028300	AC Power Cord for DSPxx Power Supply, US	\$55
NER-030028400	AC Power Cord for DSPxx Power Supply, EU	\$55
NER-030028500	AC Power Cord for DSPxx Power Supply, UK	\$55



NERLITE® SCDI®

SCDIs provide extraordinary diffuse illumination, ideal for moderately faceted, cylindrical, and undulating specular surfaces.

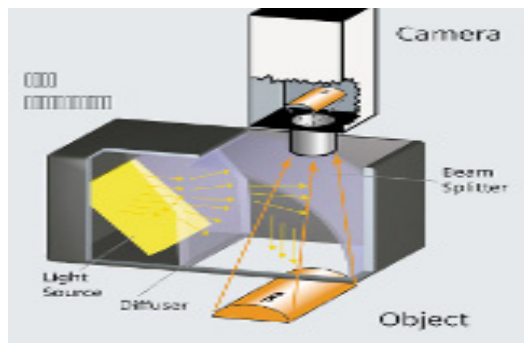


Note: For basic applications continuous lights only require a light + power supply

25 mm Continuous		
Part Number	Description	List Price
NER-011301300	SCDI-25, R LED-D, 24V-C, 4.5M (15 ft.) Cbl w/Flying Leads	\$825
NER-011301302	SCDI-25, W LED-D, 24V-C, 4.5M (15 ft.) Cbl w/Flying Leads	\$1,100
50 mm Continuous		
NER-011304004	SCDI-50 V2, R LED-D, 24V-C, 4.5M (15 ft.) Cbl w/Flying Leads	\$1,375
NER-011304014	SCDI-50 V2, W LED-D, 24V-C, 4.5M (15 ft.) Cbl w/Flying Leads	\$1,525
75 mm Continuous		
NER-011302005	SCDI-75, R LED-D, 24V-C, 4.5M (15 ft.) Cbl w/Flying Leads	\$1,490
NER-011302012	SCDI-75, W LED-D, 24V-C, 4.5M (15 ft.) Cbl w/Flying Leads	\$1,975
Power Supply (25, 50,75 mm continuous)		
NER-011504100	DSP60 24VDC 2.5A DIN Mount Power Supply	\$190
Power Supply Cordsets		
NER-030028300	AC Power Cord for DSPxx Power Supply, US	\$55
NER-030028400	AC Power Cord for DSPxx Power Supply, EU	\$55
NER-030028500	AC Power Cord for DSPxx Power Supply, UK	\$55

Note: For high speed or high intensity applications strobed lights require a light + controller + power supply

25 mm Strobe		
Part Number	Description	List Price
NER-011301301	SCDI-25, R LED-D, 24V-S, 4.5M (15 ft.) Cbl w/Flying Leads	\$825
50 mm Strobe		
NER-011304002	SCDI-50 V2, R LED-D, 24V-S, 4.5M (15 ft.) Cbl w/Flying Leads	\$1,375
NER-011304012	SCDI-50 V2, W LED-D, 24V-S, 4.5M (15 ft.) Cbl w/Flying Leads	\$1,525
75 mm Strobe		
NER-011302001	SCDI-75, R LED-D, 24V-S, 4.5M (15 ft.) Cbl w/Flying Leads	\$1,490
Power Supply/Controllers 25, 40, 75 mm strobe)		
NER-011504100	DSP60 24VDC 2.5A DIN Mount Power Supply	\$190
NER-011503300	PP600 2-CHNL PUSH BUTTON MV LIGHTING CURRENT CONTROLLER	\$860
NER-011503301	PP610 2 CHNL RS232 MV LIGHTING CURRENT CONTROLLER	\$1,220
Power Supply Cordsets		
NER-030028300	AC Power Cord for DSPxx Power Supply, US	\$55
NER-030028400	AC Power Cord for DSPxx Power Supply, EU	\$55
NER-030028500	AC Power Cord for DSPxx Power Supply, UK	\$55



NERLITE® CDI®

CDI's patented optics and integrated sphere technology yield an unrivaled self-contained continuous diffuse light.

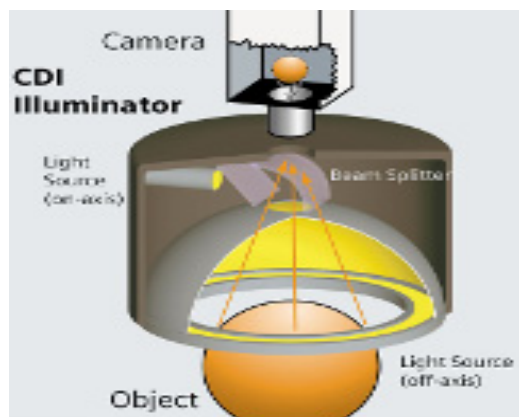


CDI (Continuous Diffuse Illuminator)

Part Number	Description	List Price
NER-011251500	CDI-150/25, R LED-D, 24V-C, 4.5M (15 ft.) Cbl w/Flying Leads	\$2,950
NER-011252000	CDI-200/75, R LED-D, 24V-C, 4.5M (15 ft.) Cbl w/Flying Leads	\$3,350
Power Supply for CDI		
NER-011504100	DSP60 24VDC 2.5A DIN Mount Power Supply	\$190
NER-011503300	PP600 2-CHNL PUSH BUTTON MV LIGHTING CURRENT CONTROLLER	\$860
NER-011503301	PP610 2 CHNL RS232 MV LIGHTING CURRENT CONTROLLER	\$1,220
Power Supply Cordsets		
NER-030028300	AC Power Cord for DSPxx Power Supply, US	\$55
NER-030028400	AC Power Cord for DSPxx Power Supply, EU	\$55
NER-030028500	AC Power Cord for DSPxx Power Supply, UK	\$55

White CDI with Fiber Optics

NER-011250200	CDI-175/125-FO, w/36" (91cm) FO, Bundle	\$5,400
---------------	---	---------



AREA ARRAYS

Area Arrays are designed for non-specular surface lighting in applications that demand economical solutions.

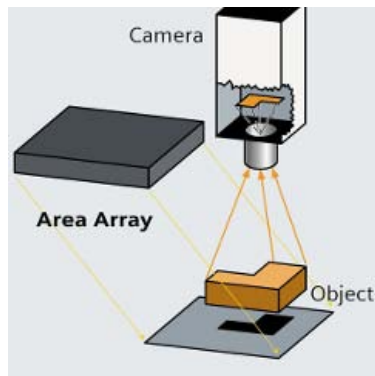


Note: For basic applications continuous lights only require a light + power supply

Area Arrays 50X50 Continuous		
PART #	DESCRIPTION	List Price
NER-011652115	AR-50x50-HO, R LED-ND, 24V-C, 4.5M (15 ft.) Cbl w/Flying Leads	\$387
NER-011652114	AR-50x50-HO, W LED-ND, 24V-C, 4.5M (15 ft.) Cbl w/Flying Leads	\$504
NER-011652125	AR-50x50-HO, B LED-ND, 24V-C, 4.5M (15 ft.) Cbl w/Flying Leads	\$504
NER-011652143	AR-50x50-HO, IR LED-ND, 24V-C, 4.5M (15 ft.) Cbl w/Flying Leads	\$504
NER-011652138	AR-50X50-HO, UV LED, 24V-C 4.5M [15FT] Cbl W/Flying Leads	\$504
Area Arrays 75X75 Continuous		
NER-011903401	AR-75x75-HO, R LED-ND, 24V-C, 4.5M (15 ft.) Cbl w/Flying Leads	\$581
NER-011903502	AR-75x75-HO, W LED-ND, 24V-C, 4.5M (15 ft.) Cbl w/Flying Leads	\$900
NER-011903503	AR-75x75-HO, B LED-ND, 24V-C, 4.5M (15 ft.) Cbl w/Flying Leads	\$900
NER-011652182	AR-75x75-HO, IR LED-ND, 24V-C, 4.5M (15 ft.) Cbl w/Flying Leads	\$900
NER-011652181	AR-75X75-HO, UV LED, 24V-C 4.5M [15FT] Cbl W/Flying Leads	\$900
Area Arrays 100X100 Continuous		
NER-011904101	AR-100x100-HO, R LED-ND, 24V-C, 4.5M (15 ft.) Cbl w/Flying Leads	\$945
NER-011904201	AR-100x100-HO, W LED-ND, 24V-C, 4.5M (15 ft.) Cbl w/Flying Leads	\$1,305
NER-011903401	AR-100x100-HO, B LED-ND, 24V-C, 4.5M (15 ft.) Cbl w/Flying Leads	\$1,305
NER-011652232	AR-100x100-HO, IR LED-ND, 24V-C, 4.5M (15 ft.) Cbl w/Flying Leads	\$1,305
Area Arrays 50X200 Continuous		
NER-011650005	AR-50x200-HO, R LED-ND, 24V-C, 4.5M (15 ft.) Cbl w/Flying Leads	\$990
NER-011650012	AR-50x200-HO, W LED-ND, 24V-C, 4.5M (15 ft.) Cbl w/Flying Leads	\$1,765
Power Supply (Area Arrays continuous)		
NER-011504100	DSP60 24VDC 2.5A DIN Mount Power Supply	\$190
Power Supply Cordsets		
NER-030028300	AC Power Cord for DSPxx Power Supply, US	\$55
NER-030028400	AC Power Cord for DSPxx Power Supply, EU	\$55
NER-030028500	AC Power Cord for DSPxx Power Supply, UK	\$55

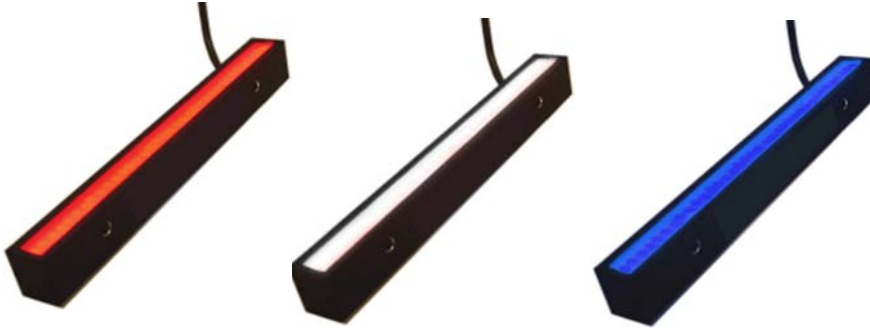
Note: For high speed or high intensity applications strobed lights require a light + controller + power supply

Area Arrays 50X50 Strobed		
PART #	DESCRIPTION	List Price
NER-011652131	AR-50x50-HO, R LED-ND, 24V-S, 4.5M (15 ft.) Cbl w/Flying Leads	\$387
NER-011652133	AR-50x50-HO, W LED-ND, 24V-S, 4.5M (15 ft.) Cbl w/Flying Leads	\$504
NER-011652135	AR-50x50-HO, B LED-ND, 24V-S, 4.5M (15 ft.) Cbl w/Flying Leads	\$504
NER-011652144	AR-50x50-HO, IR LED-ND, 24V-S, 4.5M (15 ft.) Cbl w/Flying Leads	\$504
NER-011652137	AR-50x50-HO, UV LED, 24V-S 4.5M [15FT] Cbl W/Flying Leads	\$504
Area Arrays 75X75 Strobed		
NER-011652171	AR-75x75-HO, R LED-ND, 24V-S, 4.5M (15 ft.) Cbl w/Flying Leads	\$581
NER-011652173	AR-75x75-HO, W LED-ND, 24V-S, 4.5M (15 ft.) Cbl w/Flying Leads	\$900
NER-011652175	AR-75x75-HO, B LED-ND, 24V-S, 4.5M (15 ft.) Cbl w/Flying Leads	\$900
NER-011904006	AR-75x75-HO, IR LED-ND, 24V-S, 4.5M (15 ft.) Cbl w/Flying Leads	\$900
NER-011652180	AR-75x75-HO, UV LED, 24V-S 4.5M [15FT] Cbl w/ Flying Leads	\$900
Area Arrays 100X100 Strobed		
NER-011652226	AR-100x100-HO, R LED-ND, 24V-S, 4.5M (15 ft.) Cbl w/Flying Leads	\$945
NER-011652228	AR-100x100-HO, W LED-ND, 24V-S, 4.5M (15 ft.) Cbl w/Flying Leads	\$1,305
NER-011652230	AR-100x100-HO, B LED-ND, 24V-S, 4.5M (15 ft.) Cbl w/Flying Leads	\$1,305
NER-011904406	AR-100x100-HO, IR LED-ND, 24V-S, 4.5M (15 ft.) Cbl w/Flying Leads	\$1,305
Area Arrays 50X200 Strobed		
NER-011650004	AR-50x200-HO, R LED-ND, 24V-S, 4.5M (15 ft.) Cbl w/Flying Leads	\$990
NER-011650013	AR-50x200-HO, W LED-ND, 24V-S, 4.5M (15 ft.) Cbl w/Flying Leads	\$1,765
Power Supply/Controllers Area Arrays Strobed		
NER-011504100	DSP60 24VDC 2.5A DIN Mount Power Supply	\$190
NER-011503300	PP600 2-CHNL PUSH BUTTON MV LIGHTING CURRENT CONTROLLER	\$860
NER-011503301	PP610 2 CHNL RS232 MV LIGHTING CURRENT CONTROLLER	\$1,220
Power Supply Cordsets		
NER-030028300	AC Power Cord for DSPxx Power Supply, US	\$55
NER-030028400	AC Power Cord for DSPxx Power Supply, EU	\$55
NER-030028500	AC Power Cord for DSPxx Power Supply, UK	\$55



LINEAR ARRAYS (also known as line lights)

Linear Arrays are designed for off axis, non-specular surface lighting in applications that demand small size economical solutions.



Note: For basic applications continuous lights only require a light + power supply

Linear Arrays 50 Continuous		
PART #	DESCRIPTION	List Price
NER-011654195	LA-50-1, R LED-ND/D, 24V-C, 4.5M (15 ft.) Cbl w/Flying Leads	\$315
NER-011654198	LA-50-1, W LED-ND/D, 24V-C, 4.5M (15 ft.) Cbl w/Flying Leads	\$342
NER-011654170	LA-50-1, B LED-ND/D, 24V-C, 4.5M (15 ft.) Cbl w/Flying Leads	\$342
Linear Arrays 100 Continuous		
NER-011654395	LA-100-1, R LED-ND/D, 24V-C, 4.5M (15 ft.) Cbl w/Flying Leads	\$423
NER-011654340	LA-100-1, W LED-ND/D, 24V-C, 4.5M (15 ft.) Cbl w/Flying Leads	\$477
NER-011654370	LA-100-1, B LED-ND/D, 24V-C, 4.5M (15 ft.) Cbl w/Flying Leads	\$477
Linear Arrays 150 Continuous		
NER-011654593	LA-150-1, R LED-ND/D, 24V-C, 4.5M (15 ft.) Cbl w/Flying Leads	\$477
NER-011654540	LA-150-1, W LED-ND/D, 24V-C, 4.5M (15 ft.) Cbl w/Flying Leads	\$558
NER-011654570	LA-150-1, B LED-ND/D, 24V-C, 4.5M (15 ft.) Cbl w/Flying Leads	\$558
Power Supply (Linear Arrays continuous)		
NER-011504100	DSP60 24VDC 2.5A DIN Mount Power Supply	\$190
Power Supply Cordsets		
NER-030028300	AC Power Cord for DSPxx Power Supply, US	\$55
NER-030028400	AC Power Cord for DSPxx Power Supply, EU	\$55
NER-030028500	AC Power Cord for DSPxx Power Supply, UK	\$55

Note: For high speed or high intensity applications strobed lights require a light + controller + power supply

Linear Arrays 50 Strobed		
PART #	DESCRIPTION	List Price
NER-011654120	LA-50-1, R LED-ND/D, 24V-S, 4.5M (15 ft.) Cbl w/Flying Leads	\$315
NER-011654150	LA-50-1, W LED-ND/D, 24V-S, 4.5M (15 ft.) Cbl w/Flying Leads	\$342
NER-011654180	LA-50-1, B LED-ND/D, 24V-S, 4.5M (15 ft.) Cbl w/Flying Leads	\$342
Linear Arrays 100 Strobed		
NER-011654320	LA-100-1, R LED-ND/D, 24V-S, 4.5M (15 ft.) Cbl w/Flying Leads	\$423
NER-011654350	LA-100-1, W LED-ND/D, 24V-S, 4.5M (15 ft.) Cbl w/Flying Leads	\$477
NER-011654380	LA-100-1, B LED-ND/D, 24V-S, 4.5M (15 ft.) Cbl w/Flying Leads	\$477
Linear Arrays 150 Strobed		
NER-011654520	LA-150-1, R LED-ND/D, 24V-S, 4.5M (15 ft.) Cbl w/Flying Leads	\$477
NER-011654550	LA-150-1, W LED-ND/D, 24V-S, 4.5M (15 ft.) Cbl w/Flying Leads	\$558
NER-011654580	LA-150-1, B LED-ND/D, 24V-S, 4.5M (15 ft.) Cbl w/Flying Leads	\$558
Power Supply/Controllers Linear Arrays Strobed		
NER-011504100	DSP60 24VDC 2.5A DIN Mount Power Supply	\$190
NER-011503300	PP600 2-CHNL PUSH BUTTON MV LIGHTING CURRENT CONTROLLER	\$860
NER-011503301	PP610 2 CHNL RS232 MV LIGHTING CURRENT CONTROLLER	\$1,220
Power Supply Cordsets		
NER-030028300	AC Power Cord for DSPxx Power Supply, US	\$55
NER-030028400	AC Power Cord for DSPxx Power Supply, EU	\$55
NER-030028500	AC Power Cord for DSPxx Power Supply, UK	\$55

NERLITE® LARGE AREA & SPOT LIGHTS

NERLITE Large Area LED Lights – LALL™ Series – deliver high intensity and are designed for NEMA 4X and IP-64 washdown environments. NERLITE LALL™ Series are offered in ND10 (10 degree narrow beam lenses) and ND50 (50 degree wide beam) lenes.



Note: For high speed or high intensity applications strobed lights require a light + controller + power supply

LALL 22X288 Continuous/Stobed		
PART #	DESCRIPTION	List Price
NER-011655904	LALL-22x288, R1LED-ND10/P, CC, 4.5M (15 ft.) Cbl w/Flying Leads	\$1,040
NER-011654903	LALL-22x288, R1LED-ND10, CC, 4.5M (15 ft.) Cbl w/Flying Leads	\$990
NER-011654909	LALL-22x288, R1LED-ND50,CC, 4.5M (15 ft.) Cbl w/Flying Leads	\$990
NER-011655914	LALL-22x288, W1LED-ND10/P, CC, 4.5M (15 ft.) Cbl w/Flying Leads	\$1,040
NER-011654913	LALL-22x288, W1LED-ND10, CC, 4.5M (15 ft.) Cbl w/Flying Leads	\$990
NER-011654919	LALL-22x288, W1LED-ND50, CC, 4.5M (15 ft.) Cbl w/Flying Leads	\$990
Power Supply LALL 22X288 Continuous Controllers		
NER-011503801	LC-50, 0.7A CC Drvr, Term Blk, Input 40VDC Max	\$210
NER-011503851	LC-100, 0.7A CC Drvr, Term Blk, Input 40VDC Max, w/ Intensity Adjust	\$375
Power Supply LALL Continuous or Strobed Controllers		
NER-011503300	PP600 2-CHNL PUSH BUTTON MV LIGHTING CURRENT CONTROLLER	\$860
NER-011503301	PP610 2 CHNL RS232 MV LIGHTING CURRENT CONTROLLER	\$1,220
Power Supply & Cordsets		
NER-011504100	DSP60 24VDC 2.5A DIN Mount Power Supply	\$190
NER-030028300	AC Power Cord for DSPxx Power Supply, US	\$55
NER-030028400	AC Power Cord for DSPxx Power Supply, EU	\$55
NER-030028500	AC Power Cord for DSPxx Power Supply, UK	\$55



LALL 47X47 Continuous/Stobed		
PART #	DESCRIPTION	List Price
NER-011655009	LALL-47x47, R1 LED-ND50,CC, 4.5M (15 ft.) Cbl w/Flying Leads	\$700
NER-011655003	LALL-47x47, R1LED-ND10, CC, 4.5M (15 ft.) Cbl w/Flying Leads	\$700
NER-011655013	LALL-47x47, W1LED-ND10, CC, 4.5M (15 ft.) Cbl w/Flying Leads	\$700
NER-011655014	LALL-47x47, W1LED-ND50, CC, 4.5M (15 ft.) Cbl w/Flying Leads	\$700
Power Supply LALL 47X47 Continuous Controllers		
NER-011503800	LC-50, 0.35A CC Drvr, Term Blk, Input 40VDC Max	\$210
NER-011503850	LC-100, 0.35A CC Drvr, Term Blk, Input 40VDC Max, w/ Intensity Adjust	\$375
Power Supply LALL Continuous or Strobed Controllers		
NER-011503300	PP600 2-CHNL PUSH BUTTON MV LIGHTING CURRENT CONTROLLER	\$860
NER-011503301	PP610 2 CHNL RS232 MV LIGHTING CURRENT CONTROLLER	\$1,220
Power Supply & Cordsets		
NER-011504100	DSP60 24VDC 2.5A DIN Mount Power Supply	\$190
NER-030028300	AC Power Cord for DSPxx Power Supply, US	\$55
NER-030028400	AC Power Cord for DSPxx Power Supply, EU	\$55
NER-030028500	AC Power Cord for DSPxx Power Supply, UK	\$55

Prices and Specifications Subject to Change

\$100 Minimum Order

Confidential Document

Tel: 425.226.5700
Fax: 425.226.8250

07-000001-01, Rev Y
www.microscan.com

Page 108 of 117



NERLITE Spot Area Arrays provide economical lighting for non-specular surfaces.

Note: For high speed or high intensity applications strobed lights require a light + controller + power supply

Red Spot 20mm Continuous/Strobed		
PART #	DESCRIPTION	List Price
NER-011656003	S-20, R1 LED-ND10, CC, 4.5M (15 ft.) Cbl w/Flying Leads	\$350
Power Supply Continuous Controllers		
NER-011503800	LC-50, 0.35A CC Drvr, Term Blk, Input 40VDC Max	\$210
NER-011503850	LC-100, 0.35A CC Drvr, Term Blk, Input 40VDC Max, w/ Intensity Adjust	\$375
Power Supply Continuous or Strobed Controllers		
NER-011503300	PP600 2-CHNL PUSH BUTTON MV LIGHTING CURRENT CONTROLLER	\$860
NER-011503301	PP610 2 CHNL RS232 MV LIGHTING CURRENT CONTROLLER	\$1,220
Power Supply & Cordsets		
NER-011504100	DSP60 24VDC 2.5A DIN Mount Power Supply	\$190
NER-030028300	AC Power Cord for DSPxx Power Supply, US	\$55
NER-030028400	AC Power Cord for DSPxx Power Supply, EU	\$55
NER-030028500	AC Power Cord for DSPxx Power Supply, UK	\$55
White and UV Spot 20mm Continuous/Strobed		
PART #	DESCRIPTION	List Price
NER-011656013	S-20, W3 LED-ND10, CC, 4.5M (15 ft.) Cbl w/Flying Leads	\$350
NER-011657600	S-20, UV1 10 DEG, CC, 4.5M (15 ft.) Cbl w/Flying Leads	\$450
NER-011657601	S-20, UV3 10 DEG, CC, 4.5M (15 ft.) Cbl w/Flying Leads	\$450
Power Supply Continuous Controllers		
NER-011503801	LC-50, 0.7A CC Drvr, Term Blk, Input 40VDC Max	\$210
NER-011503851	LC-100, 0.7A CC Drvr, Term Blk, Input 40VDC Max, w/ Intensity Adjust	\$375
Power Supply Continuous or Strobed Controllers		
NER-011503300	PP600 2-CHNL PUSH BUTTON MV LIGHTING CURRENT CONTROLLER	\$860
NER-011503301	PP610 2 CHNL RS232 MV LIGHTING CURRENT CONTROLLER	\$1,220
Power Supply & Cordsets		
NER-011504100	DSP60 24VDC 2.5A DIN Mount Power Supply	\$190
NER-030028300	AC Power Cord for DSPxx Power Supply, US	\$55
NER-030028400	AC Power Cord for DSPxx Power Supply, EU	\$55
NER-030028500	AC Power Cord for DSPxx Power Supply, UK	\$55

NERLITE® AREA SPOT ARRAY LIGHTS

NERLITE Spot Area Arrays provide economical lighting for non-specular surfaces.



Note: For basic applications continuous lights only require a light + controller + power supply

Spot 40mm Continuous		
PART #	DESCRIPTION	List Price
NER-011650320	S-40, R LED-D, 24V-C, 4.5M (15 ft.) Cbl w/Flying Leads	\$311
NER-011650323	S-40, R LED-ND, 24V-C, 4.5M (15 ft.) Cbl w/Flying Leads	\$311
NER-011651220	S-40, W LED-ND, 24V-C, 4.5M (15 ft.) Cbl w/Flying Leads	\$369
Power Supply (60, 70, 100 mm continuous)		
NER-011504100	DSP60 24VDC 2.5A DIN Mount Power Supply	\$190
Power Supply Cordsets		
NER-030028300	AC Power Cord for DSPxx Power Supply, US	\$55
NER-030028400	AC Power Cord for DSPxx Power Supply, EU	\$55
NER-030028500	AC Power Cord for DSPxx Power Supply, UK	\$55
Spot 40mm Strobed		
NER-011650305	S-40, R LED-D, 24V-S, 4.5M (15 ft.) Cbl w/Flying Leads	\$311
NER-011650304	S-40, R LED-ND, 24V-S, 4.5M (15 ft.) Cbl w/Flying Leads	\$311
NER-011651211	S-40, W LED-D, 24V-S, 4.5M (15 ft.) Cbl w/Flying Leads	\$369
NER-011651204	S-40, W LED-ND, 24V-S, 4.5M (15 ft.) Cbl w/Flying Leads	\$369
Power Supply Spot Continuous/Strobed		
NER-011504100	DSP60 24VDC 2.5A DIN Mount Power Supply	\$190
NER-011503300	PP600 2-CHNL PUSH BUTTON MV LIGHTING CURRENT CONTROLLER	\$860
NER-011503301	PP610 2 CHNL RS232 MV LIGHTING CURRENT CONTROLLER	\$1,220
Power Supply Cordsets		
NER-030028300	AC Power Cord for DSPxx Power Supply, US	\$55
NER-030028400	AC Power Cord for DSPxx Power Supply, EU	\$55
NER-030028500	AC Power Cord for DSPxx Power Supply, UK	\$55

NERLITE® BACKLIGHTS with "Edge to Edge" lighting

Backlights provide sharp contrast to outline a parts shape, hide clear housings, and view openings such as drilled holes.



Note: For basic applications continuous lights only require a light + power supply

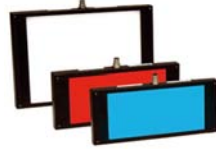
Backlights 47X59 Continuous		
PART #	DESCRIPTION	List Price
NER-011659300	BACKLIGHT, MV, 47X59 R LED 24VC, M12 CONNECTOR	\$565
NER-011659310	BACKLIGHT, MV, 47X59 W LED 24VC, M12 CONNECTOR	\$715
NER-011659320	BACKLIGHT, MV, 47X59 B LED 24VC, M12 CONNECTOR	\$715
NER-011659340	BACKLIGHT, MV, 47X59 I LED 24VC, M12 CONNECTOR	\$565
Backlights 71X88 Continuous		
NER-011659400	BACKLIGHT, MV, 71X88 R LED 24VC, M12 CONNECTOR	\$655
NER-011659410	BACKLIGHT, MV, 71X88 W LED 24VC, M12 CONNECTOR	\$810
NER-011659420	BACKLIGHT, MV, 71X88 B LED 24VC, M12 CONNECTOR	\$810
NER-011659440	BACKLIGHT, MV, 71X88 I LED 24VC, M12 CONNECTOR	\$655
Backlights 100X100 Continuous		
NER-011659500	BACKLIGHT MV 100X100 R LED 24VC, M12 CONNECTOR	\$700
NER-011659510	BACKLIGHT MV 100X100 W LED 24VC, M12 CONNECTOR	\$900
NER-011659520	BACKLIGHT MV 100X100 B LED 24VC, M12 CONNECTOR	\$900
NER-011659540	BACKLIGHT MV 100X100 I LED 24VC, M12 CONNECTOR	\$700
Backlights 50X200 Continuous		
NER-011659600	BACKLIGHT, MV, 50X200 R LED 24VC, M12 CONNECTOR	\$700
NER-011659610	BACKLIGHT, MV, 50X200 W LED 24VC, M12 CONNECTOR	\$900
NER-011659620	BACKLIGHT, MV, 50X200 B LED 24VC, M12 CONNECTOR	\$900
NER-011659640	BACKLIGHT, MV, 50X200 I LED 24VC, M12 CONNECTOR	\$700
Power Supply Backlights Continuous		
NER-011504100	DSP60 24VDC 2.5A DIN Mount Power Supply	\$190
Power Supply Cordsets		
NER-030028300	AC Power Cord for DSPxx Power Supply, US	\$55
NER-030028400	AC Power Cord for DSPxx Power Supply, EU	\$55
NER-030028500	AC Power Cord for DSPxx Power Supply, UK	\$55
Backlight Accessories		
NER-030029100	M12 to Flying Leads Cable	\$55

Note: For high speed or high intensity applications strobed lights require a light + controller + power supply

Backlights 47X59 Strobed		
PART #	DESCRIPTION	List Price
NER-011659301	BACKLIGHT, MV, 47X59 R LED CC, M12 CONNECTOR	\$565
NER-011659311	BACKLIGHT, MV, 47X59 W LED CC, M12 CONNECTOR	\$715
NER-011659321	BACKLIGHT, MV, 47X59 B LED CC, M12 CONNECTOR	\$715
NER-011659341	BACKLIGHT, MV, 47X59 I LED CC, M12 CONNECTOR	\$565
Backlights 71X88 Strobed		
NER-011659401	BACKLIGHT, MV, 71X88 R LED CC, M12 CONNECTOR	\$655
NER-011659411	BACKLIGHT, MV, 71X88 W LED CC, M12 CONNECTOR	\$810
NER-011659421	BACKLIGHT, MV, 71X88 B LED CC, M12 CONNECTOR	\$810
NER-011659441	BACKLIGHT, MV, 71X88 I LED CC, M12 CONNECTOR	\$655
Backlights 100X100 Strobed		
NER-011659501	BACKLIGHT, MV, 100X100 R LED CC, M12 CONNECTOR	\$700
NER-011659511	BACKLIGHT, MV, 100X100 W LED CC, M12 CONNECTOR	\$900
NER-011659521	BACKLIGHT, MV, 100X100 B LED CC, M12 CONNECTOR	\$900
NER-011659541	BACKLIGHT, MV, 100X100 I LED CC, M12 CONNECTOR	\$700
Backlights 50X200 Strobed		
NER-011659601	BACKLIGHT, MV, 50X200 R LED CC, M12 CONNECTOR	\$700
NER-011659611	BACKLIGHT, MV, 50X200 W LED CC, M12 CONNECTOR	\$900
NER-011659621	BACKLIGHT, MV, 50X200 B LED CC, M12 CONNECTOR	\$900
NER-011659641	BACKLIGHT, MV, 50X200 I LED CC, M12 CONNECTOR	\$700
Power Supply/Controllers Backlights Strobed		
NER-011504100	DSP60 24VDC 2.5A DIN Mount Power Supply	\$190
NER-011503300	PP600 2-CHNL PUSH BUTTON MV LIGHTING CURRENT CONTROLLER	\$860
NER-011503301	PP610 2 CHNL RS232 MV LIGHTING CURRENT CONTROLLER	\$1,220
Power Supply Cordsets		
NER-030028300	AC Power Cord for DSPxx Power Supply, US	\$55
NER-030028400	AC Power Cord for DSPxx Power Supply, EU	\$55
NER-030028500	AC Power Cord for DSPxx Power Supply, UK	\$55
Backlight Accessories		
NER-030029100	M12 to Flying Leads Cable	\$55

NERLITE® LARGE BACKLIGHTS

Backlights provide sharp contrast to outline a parts shape, hide clear housings, and view openings such as drilled



Note: For high speed or high intensity applications strobed lights require a light + controller + power supply

Backlights 100X200 Continuous/Strobed		
PART #	DESCRIPTION	List Price
NER-011659700	BACKLIGHT, MV, 100X200 R LED CC, M12 CONNECTOR	\$1,205
NER-011659710	BACKLIGHT, MV, 100X200 W LED CC, M12 CONNECTOR	\$1,305
NER-011659720	BACKLIGHT, MV, 100X200 B LED CC, M12 CONNECTOR	\$1,305
NER-011659740	BACKLIGHT, MV, 100X200 I LED CC, M12 CONNECTOR	\$1,205
Power Supply Continuous Controllers		
NER-011503801	LC-50, 0.7A CC Dvr, Term Blk, Input 40VDC Max	\$210
NER-011503851	LC-100, 0.7A CC Dvr, Term Blk, Input 40VDC Max, w/ Intensity Adjust	\$375
Power Supply Backlight Continuous or Strobed Controllers		
NER-011503300	PP600 2-CHNL PUSH BUTTON MV LIGHTING CURRENT CONTROLLER	\$860
NER-011503301	PP610 2 CHNL RS232 MV LIGHTING CURRENT CONTROLLER	\$1,220
Power Supply & Cordsets		
NER-011504100	DSP60 24VDC 2.5A DIN Mount Power Supply	\$190
NER-030028300	AC Power Cord for DSPxx Power Supply, US	\$55
NER-030028400	AC Power Cord for DSPxx Power Supply, EU	\$55
NER-030028500	AC Power Cord for DSPxx Power Supply, UK	\$55

Backlights 150X200 Continuous/Strobed		
NER-011659800	BACKLIGHT, MV, 150X200 R LED CC, M12 CONNECTOR	\$1,325
NER-011659810	BACKLIGHT, MV, 150X200 W LED CC, M12 CONNECTOR	\$1,425
NER-011659820	BACKLIGHT, MV, 150X200 B LED CC, M12 CONNECTOR	\$1,425
Power Supply Continuous Controllers		
NER-011503802	LC-50, 1.05A CC Dvr, Term Blk, Input 40VDC Max	\$210
NER-011503852	LC-100, 1.05A CC Dvr, Term Blk, Input 40VDC Max, w/ Intensity Adjust	\$375
Power Supply Backlight Continuous or Strobed Controllers		
NER-011503300	PP600 2-CHNL PUSH BUTTON MV LIGHTING CURRENT CONTROLLER	\$860
NER-011503301	PP610 2 CHNL RS232 MV LIGHTING CURRENT CONTROLLER	\$1,220
Power Supply & Cordsets		
NER-011504100	DSP60 24VDC 2.5A DIN Mount Power Supply	\$190
NER-030028300	AC Power Cord for DSPxx Power Supply, US	\$55
NER-030028400	AC Power Cord for DSPxx Power Supply, EU	\$55
NER-030028500	AC Power Cord for DSPxx Power Supply, UK	\$55

Backlights 200X250 & 150X200 IR Continuous/Strobed		
NER-011659840	BACKLIGHT, MV, 150X200 I LED CC, M12 CONNECTOR	\$1,325
NER-011659900	BACKLIGHT, MV, 200X250 R LED CC, M12 CONNECTOR	\$1,595
NER-011659910	BACKLIGHT, MV, 200X250 W LED CC, M12 CONNECTOR	\$1,695
NER-011659920	BACKLIGHT, MV, 200X250 B LED CC, M12 CONNECTOR	\$1,695
NER-011659940	BACKLIGHT, MV, 200X250 I LED CC, M12 CONNECTOR	\$1,595
Power Supply Continuous Controllers		
NER-011503803	LC-50, 1.4A CC Dvr, Term Blk, Input 40VDC Max	\$375
Power Supply Backlight Continuous or Strobed Controllers		
NER-011503300	PP600 2-CHNL PUSH BUTTON MV LIGHTING CURRENT CONTROLLER	\$860
NER-011503301	PP610 2 CHNL RS232 MV LIGHTING CURRENT CONTROLLER	\$1,220
Power Supply & Cordsets		
NER-011504100	DSP60 24VDC 2.5A DIN Mount Power Supply	\$190
NER-030028300	AC Power Cord for DSPxx Power Supply, US	\$55
NER-030028400	AC Power Cord for DSPxx Power Supply, EU	\$55
NER-030028500	AC Power Cord for DSPxx Power Supply, UK	\$55

Backlight Accessories		
NER-030029100	M12 to Flying Leads Cable	\$55

Prices and Specifications Subject to Change

\$100 Minimum Order

Confidential Document

Tel: 425.226.5700
Fax: 425.226.8250

07-000001-01, Rev Y
www.microscan.com

Page 113 of 117

NERLITE® DOMELIGHTS

NERLITE Dome Lights provide practical and cost-effective solutions to illuminate shiny, bumpy surfaces.



Note: For basic applications continuous lights only require a light + power supply

Dome Lights Continuous

PART #	DESCRIPTION	List Price
NER-011600403	D-150, R LED-D, 24V-C, 4.5M (15 ft.) Cbl w/Flying Leads	880
NER-011600411	D-150, W LED-D, 24V-C, 4.5M (15 ft.) Cbl w/Flying Leads	\$1,500
NER-011600421	D-150, B LED-D, 24V-C, 4.5M (15 ft.) Cbl w/Flying Leads	\$1,500

Power Supply Domes Continuous

NER-011504100	DSP60 24VDC 2.5A DIN Mount Power Supply	\$190
---------------	---	-------

Power Supply Cordsets

NER-030028300	AC Power Cord for DSPxx Power Supply, US	\$55
NER-030028400	AC Power Cord for DSPxx Power Supply, EU	\$55
NER-030028500	AC Power Cord for DSPxx Power Supply, UK	\$55

Note: For high speed or high intensity applications strobed lights require a light + controller + power supply

Dome Lights Strobed

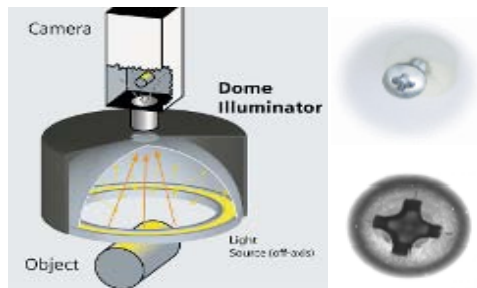
PART #	DESCRIPTION	List Price
NER-011600402	D-150, R LED-D, 24V-S, 4.5M (15 ft.) Cbl w/Flying Leads	\$880
NER-011600412	D-150, W LED-D, 24V-S, 4.5M (15 ft.) Cbl w/Flying Leads	\$1,500

Power Supply/Controllers Domes Strobed

NER-011504100	DSP60 24VDC 2.5A DIN Mount Power Supply	\$190
NER-011503300	PP600 2-CHNL PUSH BUTTON MV LIGHTING CURRENT CONTROLLER	\$860
NER-011503301	PP610 2 CHNL RS232 MV LIGHTING CURRENT CONTROLLER	\$1,220

Power Supply Cordsets

NER-030028300	AC Power Cord for DSPxx Power Supply, US	\$55
NER-030028400	AC Power Cord for DSPxx Power Supply, EU	\$55
NER-030028500	AC Power Cord for DSPxx Power Supply, UK	\$55



NERLITE® DARKFIELD LIGHTS

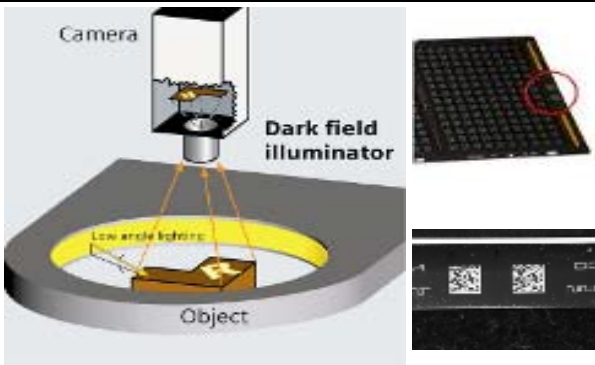
NERLITE Darkfield Lights enhance the contrast of surface features (e.g. embossed or engraved marks).



Darkfield 50 Continuous		List Price
PART #	DESCRIPTION	
NER-011609311	DF-50, R LED-ND, 24V-C, 4.5M (15 ft.) Cbl w/Flying Leads	\$495
NER-011609321	DF-50, W LED-ND, 24V-C, 4.5M (15 ft.) Cbl w/Flying Leads	\$567
NER-011609331	DF-50 B LED-ND 24V-C 2M [6.6'] CBL W/DB9	\$567
Darkfield 100 Continuous		
NER-011601520	DF-100-1, R LED-ND, 24V-C, 4.5M (15 ft.) Cbl w/Flying Leads	\$563
NER-011601521	DF-100-1, R LED-D, 24V-C, 4.5M (15 ft.) Cbl w/Flying Leads	\$563
Darkfield 150 Continuous		
NER-011600020	DF-150-1, R LED-ND, 24V-C, 4.5M (15 ft.) Cbl w/Flying Leads	\$801
NER-011600031	DF-150-1, W LED-ND, 24V-C, 4.5M (15 ft.) Cbl w/Flying Leads	\$801
NER-011600070	DF-150-1, B LED-ND, 24V-C, 4.5M (15 ft.) Cbl w/Flying Leads	\$801
NER-011600021	DF-150-1, R LED-D, 24V-C, 4.5M (15 ft.) Cbl w/Flying Leads	\$801
NER-011600041	DF-150-1, W LED-D, 24V-C, 4.5M (15 ft.) Cbl w/Flying Leads	\$801
NER-011600208	DF-150-3, R LED-ND, 24V-C, 4.5M (15 ft.) Cbl w/Flying Leads	\$1,100
NER-011600206	DF-150-3, W LED-ND, 24V-C, 4.5M (15 ft.) Cbl w/Flying Leads	\$1,400
Darkfield 200 Continuous		
NER-011603300	DF-200-1, R LED-D, 24V-C, 4.5M (15 ft.) Cbl w/Flying Leads	\$1,600
Power Supply Darkfields Continuous		
NER-011504100	DSP60 24VDC 2.5A DIN Mount Power Supply	\$190
Power Supply Cordsets		
NER-030028300	AC Power Cord for DSPxx Power Supply, US	\$55
NER-030028400	AC Power Cord for DSPxx Power Supply, EU	\$55
NER-030028500	AC Power Cord for DSPxx Power Supply, UK	\$55

Note: For high speed or high intensity applications strobed lights require a light + controller + power supply

Darkfield 50 Strobed		
PART #	DESCRIPTION	List Price
NER-011609312	DF-50, R LED-ND, 24V-S, 4.5M (15 ft.) Cbl w/Flying Leads	\$495
NER-011609322	DF-50, W LED-ND, 24V-S, 4.5M (15 ft.) Cbl w/Flying Leads	\$567
NER-011609332	DF-50 B LED-ND 24V-S 2M [6.6'] CBL W/DB9	\$567
Darkfield 100 Strobed		
NER-011601502	DF-100-1, R LED-D, 24V-S, 4.5M (15 ft.) Cbl w/Flying Leads	\$563
Darkfield 150 Strobed		
NER-011600004	DF-150-1, R LED-ND, 24V-S, 4.5M (15 ft.) Cbl w/Flying Leads	\$801
NER-011600032	DF-150-1, W LED-ND, 24V-S, 4.5M (15 ft.) Cbl w/Flying Leads	\$801
NER-011600080	DF-150-1, B LED-ND, 24V-S, 4.5M (15 ft.) Cbl w/Flying Leads	\$801
NER-011600007	DF-150-1, R LED-D, 24V-S, 4.5M (15 ft.) Cbl w/Flying Leads	\$801
NER-011600042	DF-150-1, W LED-D, 24V-S, 4.5M (15 ft.) Cbl w/Flying Leads	\$801
NER-011600207	DF-150-3, W LED-ND, 24V-S, 4.5M (15 ft.) Cbl w/Flying Leads	\$1,400
Darkfield 200 Strobed		
NER-011603301	DF-200-1, R LED-D, 24V-S, 4.5M (15 ft.) Cbl w/Flying Leads	\$1,600
Power Supply/Controllers Darkfield Strobed		
NER-011504100	DSP60 24VDC 2.5A DIN Mount Power Supply	\$190
NER-011503300	PP600 2-CHNL PUSH BUTTON MV LIGHTING CURRENT CONTROLLER	\$860
NER-011503301	PP610 2 CHNL RS232 MV LIGHTING CURRENT CONTROLLER	\$1,220
Power Supply Cordsets		
NER-030028300	AC Power Cord for DSPxx Power Supply, US	\$55
NER-030028400	AC Power Cord for DSPxx Power Supply, EU	\$55
NER-030028500	AC Power Cord for DSPxx Power Supply, UK	\$55



Product Demonstration Kits



Demo Kits		
Part Number	Description	List Price
98-000097-01	Demo Kit, MS-1 (Note: kit contains 1 HD MS-1 and 1 LD MS-1)	\$295
98-000055-05*	Demo Kit, MS-3	\$595
98-000077-13*	Demo Kit, MS-Q (includes Bluetooth)	\$695
98-000078-03*	Demo Kit, MS-860	\$595
98-000102-01*	Demo Kit, QX Products	\$595
98-000090-03*	Demo Kit, MS-890	\$595
98-000086-02*	Demo Kit, Quadrus MINI	\$595
98-000035-04*	Demo Kit, Quadrus EZ (includes monitor)	\$1,395
98-000095-02*	Demo Kit, MS-Connect 210	\$895
FIS-HE1515MDSK-DEMO	Demo Kit, HE1515 Reader - w HE1515MD, Power supply, cables, stand, verifier lic., stack light	\$5,495
FIS-HEDPMDemo	Demo Kit, HE1525 Verifier - w HE1525HD, Power supply, cables, stand, verifier lic., stack light	\$5,495
FIS-6700-1XXXG	Quadrus Verifier	\$8,384
FIS-UIDDPMDemo_01 **	Demo Kit, UID DPM Verifier	\$11,995
FIS-UIDLDPDemo_01	Demo Kit, UID LDP Verifier	\$8,995
GMV-1HF16-0SK0G	HE1600T Visionscape Starter Kit - Includes HE1610TIS, lenses, power supply, light, cables/stand	\$7,578
NER-010908600	Demo Kit, NERLITE 24VDC	\$7,578
98-000139-01	Demo Kit - Software Lic., VGA CCD GigE Camera, Power Supply, Trigger Cable, Ethernet	\$3,850

Note: All 98-level Demo kit part #'s sold at 25% discount
 * Kits require purchase of separate reader at 60% discount
 ** No separate reader purchase required

- Complete mounting system
- Interface cables and boxes
- Package detectors
- Power supplies and
- Marketing literature

Readers are not included and must be purchased separately with the exception of the MS-1, HE 1500, HE1600T and UID Verifier Demo Kits