

**MICROSCAN.**

# PRODUCT PRICING CATALOG

**Corporate Headquarters, USA**

Microscan Systems, Inc.

700 SW 39th St

Renton, WA

98057

Tel 425.226.5700

Fax 425.226.8250

*CONFIDENTIAL*

[www.microscan.com](http://www.microscan.com)

*Rev. AH January 2013*

# MICROSCAN

Contents	Page #
Field Sales Contacts	3
Customer Service Contacts	4
Technical Support and Service Contacts	5
Standard Terms and Conditions	6
Product Return Process	9
Auto ID Barcode Readers	10
MS-1 Series Scan Engines	10
MS-2 Series CCD Readers	11
MS-3 Series Scanners	14
MS-9 High Speed Scanner	23
QX-830 Compact Barcode Reader	28
QX-870 Industrial Barcode Reader	36
MS-890 Industrial Barcode Reader	41
Auto ID 2D Readers and Verifiers	49
**NEW** MS-2D Scan Engine	49
MS-4 Compact 2D Imager	50
**NEW** MS-4X Compact 2D Imager	50
**NEW** MS-4Xi Industrial Compact 2D Imager	50
MINI Family of Imagers	55
**NEW Mini HAWK Xi	58
QX Hawk	62
UID DPM and LDP Verifiers*	66
Auto ID Handhelds	67
HS-1 Handheld Linear CCD Barcode Reader	67
**NEW** HS-21 Handheld 2D Reader	68
**NEW** HS-41X DPM Handheld 2D Reader	68
Mobile Hawk Handled DPM Imager	70
Auto ID Software, Connectivity, and Accessories	71
MS-Connect Series	71
Auto ID Product Accessories	76
Machine Vision Systems	78
Vision MINI	78
Vision HAWK	82
Visionscape GigE Solution	87
Machine Vision Accessories	89
Industry Specific Solutions	90
Track, Trace and Control Software	90
Visionscape I-PAK Pharmaceutical Label Verification Software	91
NERLITE ® Machine Vision Lighting	92
NERLITE Pharamlite	92
Smart DOAL Lights	94
CDI	97
Smart Ringlights	99
HI-BRITES	102
Area Arrays	105
Linear Arrays	107
Edge to Edge Backlights	109
Large Backlights	111
Dome Lights	112
Dark Field Lights	114
NERLITE Accessories	116
Product Demo Kits	117
Service Price List	118
Legacy Products	119

# MICROSCAN.

## Field Sales Contacts

Region	Sales Managers	Address	Phone	Email
<b>Director, Americas Sales</b>	<b>John Agapakis</b>	486 Amherst St. Nashua, NH 03063	Tel: +603.821.4319 +508.314.4143 (M)	<a href="mailto:jagapakis@microscan.com">jagapakis@microscan.com</a>
<b>Western U.S.A. / Western Canada</b>	<b>Bob Taplett</b>	21416 NE 146th PL Woodinville, WA 98077	Tel: +206.617.9603 (M)	<a href="mailto:btaplett@microscan.com">btaplett@microscan.com</a>
<b>Central U.S.A. / Eastern Canada</b>	<b>Richard Bellemare</b>	4210 Gilbert Ave. Dallas, TX 75219	Tel: +214.599.2886	<a href="mailto:rbellemare@microscan.com">rbellemare@microscan.com</a>
<b>Midwestern U.S.A.</b>	<b>Bob Fines</b>	3028 Ashbury Drive Naperville, IL 60564	Tel: +630.319.3247 (M)	<a href="mailto:bfines@microscan.com">bfines@microscan.com</a>
<b>Southeastern U.S.A. / Caribbean</b>	<b>Matt Smith</b>	740 Paint Horse Drive Canton, GA 30115	Tel: +770.366.3385 (M)	<a href="mailto:msmith@microscan.com">msmith@microscan.com</a>
<b>Northeastern U.S.A. / Ontario, Canada</b>	<b>Ted Rudel</b>	486 Amherst St. Nashua, NH 03063	Tel: +973.289.0870 (M)	<a href="mailto:trudel@microscan.com">trudel@microscan.com</a>
<b>Mexico / Latin &amp; South America</b>	<b>John Agapakis</b>	486 Amherst St. Nashua, NH 03063	Tel: +603.821.4319 +508.314.4143 (M)	<a href="mailto:jagapakis@microscan.com">jagapakis@microscan.com</a>
<b>Director, EMEA Sales / Southern Africa</b>	<b>Juan Pablo Biermayr</b>	Lemelerberg 17 NL-2402 ZN Alphen aan den Rijn, The Netherlands	Tel: +31.172.423366	<a href="mailto:jbiermayr@microscan.com">jbiermayr@microscan.com</a>
<b>Germany, Austria, Switzerland</b>	<b>Helmuth Zierer</b>	Vetriebsbuero Deuschland Amselstrasse 22 D-85356 Freising, Germany	Tel: +49.1608.9486.18 (M)	<a href="mailto:hzierer@microscan.com">hzierer@microscan.com</a>
<b>France, UK, Ireland, Belgium, Luxembourg, The Netherlands, Nordic Countries</b>	<b>Michael de Kegel</b>	Zonnestrarat 11 B.9300 Aalst Belgium	Tel: +32.474.3110.56 (M)	<a href="mailto:mdekegel@microscan.com">mdekegel@microscan.com</a>
<b>Turkey, Eastern Europe, Baltic States, Russia, Middle East, Northern Africa</b>	<b>Osman Erturk</b>	Yavuz Selim Caddesi Silistre Sokak 15-5, 34087, Fatih/Istanbul Turkey	Tel: +90.530.600.8581 (M)	<a href="mailto:oerturk@microscan.com">oerturk@microscan.com</a>
<b>Director, APAC Sales / Australia, New Zealand, Fiji</b>	<b>Ko Cheng Han</b>	31 Kaki Bukit Road 3 #06-04/05 TechLink, Singapore 417818	Tel: +65.6846.1214	<a href="mailto:kochenghan@microscan.com">kochenghan@microscan.com</a>
<b>China Country Manager / Beijing, Guangdong, Shandong</b>	<b>Richard Cheng</b>	Beijing Shougang International Bldg. Rm. 1818, No.60 North Street, Xizhimen Haidan District, Beijing 100088 P.R.C.	Tel: +86.10.5993.5766 +86.186.0006.2619 (M)	<a href="mailto:rcheng@microscan.com">rcheng@microscan.com</a>
<b>Singapore, Indonesia, Philippines, Vietnam, Thailand, Malaysia, Guam, Taiwan, SEA Countries</b>	<b>Goh Yee Heng</b>	31 Kaki Bukit Road 3 #06-04/05 TechLink, Singapore 417818	Tel: +65.6846.1214 +65.9239.7032 (M)	<a href="mailto:gohyh@microscan.com">gohyh@microscan.com</a>
<b>China/Hong Kong, Sichuan, Chongqing, Guangxi, Guizhou, Hainan, Yunnan</b>	<b>Charles Cheng</b>	22F, C Bldg., Fengzeng Plaza, # 240 Tianhe Road, Tianhe District Guangzhou, 510620, P.R.C	Tel: +86.20.2887.3807 +86.186.8889.6626 (M)	<a href="mailto:ccheng@microscan.com">ccheng@microscan.com</a>
<b>China/Beijing, Hebei, Heilongjiang, Jilin, Liaoning, Tianjin, Shandong, Shanxi, Henan, Qinghai, Xinjiang, Ningxia, Gansu, Inner Mongolia, Tibet</b>	<b>Kaka Zhao</b>	Beijing Shougang International Bldg. Rm. 1818, No.60 North Street, Xizhimen Haidan District, Beijing 100088 P.R.C.	Tel: +86.10.5993.5887 +86.186.1196.7717 (M)	<a href="mailto:wzhao@microscan.com">wzhao@microscan.com</a>
<b>China/Shanghai, Suzhou, Nanjing, Anhui, Jiangsu, Zhejiang</b>	<b>Ryan Zhu</b>	Unit 201, XinAn Plaza, Bldg. 13 No. 99 Tianzhou Road Shanghai, 200233, P.R.C.	Tel: +86.21.6113.3750 +86.186.2190.0703 (M)	<a href="mailto:rzhu@microscan.com">rzhu@microscan.com</a>
<b>China/Fujian, Hunan, Hubei, Jiangxi</b>	<b>James Zeng</b>	Shenzhen Rep. Office Unit 1, 27th Floor, Tianli Center Commerce Plaza, Nanshan District, Shenzhen, 518054 P.R.C.	Tel: +86.755.8633.2368.803 +86.186.2037.6543 (M)	<a href="mailto:jzeng@microscan.com">jzeng@microscan.com</a>
<b>Korea</b>	<b>Moon Soo Kim</b>	8F, SH Energy Bldg., 16.6, Sunae-dong, Bundang-gu, Seongnam City, Kyeonggi-Do, Korea, 463-825	Tel: +82.31.786.0835 +82.10.3784.6437 (M)	<a href="mailto:mkim@microscan.com">mkim@microscan.com</a>
<b>Japan</b>	<b>Moon Soo Kim</b>	8F, SH Energy Bldg., 16.6, Sunae-dong, Bundang-gu, Seongnam City, Kyeonggi-Do, Korea, 463-825	Tel: +82.31.786.0835 +82.10.3784.6437 (M)	<a href="mailto:mkim@microscan.com">mkim@microscan.com</a>
<b>India, Pakistan, Nepal, Sri Lanka, Bangladesh, Bhutan</b>	<b>Vinay Bhasin</b>	BPTP Park Centra, 201-B, 2nd Floor Sector-30, Gurgaon, Haryana 122 002 India	Tel: +91.981.1412271 (M)	<a href="mailto:vbhasin@microscan.com">vbhasin@microscan.com</a>

## Customer Service Contacts

Region	Inside Sales Managers	Address	Phone	Email
Americas	Steve Kinney	Microscan 700 SW 39th Street, Renton, WA 98057	Tel: +1.425.203.4929 Fax: +1.425.226.8250	<a href="mailto:AMERICAS_Orders@microscan.com">AMERICAS_Orders@microscan.com</a>
Asia Pacific	Vincent Chee	31 Kaki Bukit Road 3 #06.04/05 TechLink, Singapore 417818	Tel: +65.6846.1214 Fax: +65.6846.4641	<a href="mailto:ASIA_Orders@microscan.com">ASIA_Orders@microscan.com</a>
China	Ray Wang	Unit 201, XinAn Plaza, Bldg. 13, No.99 Tianzhou Road, Shanghai, 200233, P.R.C.	Tel: +86.21.6113.3752 Fax: +86.21.6113.3683	<a href="mailto:CHINA_orders@microscan.com">CHINA_orders@microscan.com</a>
Europe, Russia, Middle East, Africa	Rudy Pijper	Lemelerberg 17 NL-2402 ZN Aphen aan den Rijn, The Netherlands	Tel: +31.172.4233.72 Fax: +31.172.4233.66	<a href="mailto:EMEA_Orders@microscan.com">EMEA_Orders@microscan.com</a>
Global Customer Service	Kay Groves	Microscan 700 SW 39th Street Renton, WA 98057	Tel: +1.425.203.4926 Fax: +1.425.226.8250	<a href="mailto:Microscan_Orders@microscan.com">Microscan_Orders@microscan.com</a>
Global Customer Service	Troy Shaw	Microscan 700 SW 39th Street Renton, WA 98057	Tel: +1.425.203.4853 Fax: +1.425.226.8250	<a href="mailto:Microscan_Orders@microscan.com">Microscan_Orders@microscan.com</a>

# MICROSCAN.

## Technical Support and Service Contacts

Support/Service	Contact	Address	Phone	Email
Distributor Business Development	Matt Srichfield, <i>Global Channel Manager</i>	Microscan 700 SW 39th Street Renton, WA 98057	Tel: +425.203.4955 eFax: +1.425.988.7093	<a href="mailto:partners@microscan.com">partners@microscan.com</a>
Service Contracts, Component Orders (piece parts, returns, obtain RMA #)	Contact your regional Customer Service representative.			
United States/Canada Help Desk	Auto ID/General		Tel: +1.425.203.4841 / +1.800.251.7711	<a href="mailto:helpdesk@microscan.com">helpdesk@microscan.com</a>
	Lighting			<a href="mailto:nerlitesupport@microscan.com">nerlitesupport@microscan.com</a>
	Vision			<a href="mailto:visionsupport@microscan.com">visionsupport@microscan.com</a>
Mexico/Latin America Help Desk	General		Tel: +1.281.879.9505	<a href="mailto:support@all-us.com">support@all-us.com</a>
Asia Pacific Help Desk	General		Tel: +65.6846.1214	<a href="mailto:apac_support@microscan.com">apac_support@microscan.com</a>
Europe, Russia, Middle East, Africa Help Desk	General		Tel: +31.172.4233.63	<a href="mailto:emea_support@microscan.com">emea_support@microscan.com</a>

**Note:** Only products which are currently active (recommended for new applications) are shown in this product pricing catalog. Information regarding legacy and obsolete products is available by calling the sales/support contacts listed at the top of this page. Reference the end of the catalog for legacy product and service pricing.

**\*\*Important Pricing Discount Note\*\*** Product discounts are applied based on the Product TYPE as indicated in the TYPE column of each price sheet.

Two (2) Product Types are defined as follows: P = PRODUCT Discount or A = ACCESSORY Discount.  
Refer to your Partner Agreement for the actual discount percentage by Product Type.



MICROSCAN SYSTEMS, INC. TERMS AND CONDITIONS OF SALE For the purposes of these TERMS AND CONDITIONS OF SALE (“Terms and Conditions”), “contract” means the agreement between Microscan Systems, Inc. (“Supplier”) and Buyer arising as a result of Buyer’s submission of an order for Supplier’s products. Individually, Supplier and Buyer are each a party; collectively, they are parties. Such contract shall be deemed to incorporate and be governed by these Terms and Conditions. No term or condition of Buyer’s order additional to or different from these Terms and Conditions shall become part of the contract unless explicitly agreed to in writing by Supplier. These Terms and Conditions may be revised by Supplier from time to time, in Supplier’s sole discretion. Supplier will notify Buyer of revisions to these Terms and Conditions forty-five (45) days prior to the revised Terms and Conditions taking effect. Buyer’s failure to object in writing to any provision contained in any communication from Supplier before the “effective date” shall be construed as acceptance of any such provision and shall not be construed as a waiver of these Terms and Conditions.

1. Quotations and Orders: Prices, specifications and dates for delivery referenced in Supplier’s quotations are for information purposes only and shall not be binding on Supplier until all technical requirements have been agreed upon and Supplier has accepted Buyer’s order. All orders must be bona fide commitments showing definite prices and quantities and mutually agreed shipping dates. Quotations terminate if the Buyer does not place an order with the Supplier within 60 days.
2. Taxes: Prices and fees do not include taxes, transport charges, insurance and export and/or import charges or duties including without limitation sales tax, value added tax, use or excise taxes, applicable to the Products sold and or Services supplied under any Contract, which taxes and other charges may, in the Supplier’s discretion, be added by the Supplier to the sale price and or fees or billed separately and which taxes and other charges shall be paid by the Buyer unless the Buyer provides the Supplier with any necessary tax exemption certificate. Unless otherwise agreed in writing, the Buyer shall be liable to pay the Supplier’s charges for transport, packaging, insurance and export and/or import clearance.
3. Shipment and Delivery: All products will be shipped EXW (Ex Works) Supplier’s premises. Delays of convenience, within fourteen (14) days of the acknowledged shipping dates, will be invoiced at 50% of order value on originally scheduled ship date. Delays for convenience will not be accepted beyond sixty (60) days. Orders containing custom “FIS” products cannot be delayed or cancelled after receipt of Sales Order Acknowledgement. In the absence of specific instructions, Supplier will select the carrier and ship “collect.” Title and risk of loss or damage to any product shall pass from Supplier to Buyer upon the product being packed ready for delivery to carrier. Any claims for loss, damage or mis-delivery thereafter shall be filed with the carrier. All products shall be deemed finally inspected and accepted within ten (10) days after delivery unless notice of rejection is given by Buyer in writing to Supplier within such period. Acceptance shall constitute acknowledgement of full performance by Supplier of all obligations under the contract except as stated in Section 9 (Limitation of Warranties). The Supplier reserves the right to make delivery of Products by installments and to tender a separate invoice in respect of each installment. When delivery is to be by installments or the Supplier exercises its right to deliver by installments or if there is delay in the delivery of any one or more installments for whatever reason the Buyer shall not be entitled to treat the Contract as a whole as repudiated. All products returned are subject to the then current Microscan Product Return Process Policy. Microscan reserves the right to change this policy at will.
4. Terms of Payment: Each shipment shall be a separate transaction and Buyer will be invoiced on date of dispatch. Unless otherwise stated on Supplier’s invoice, terms of payment shall be net thirty (30) days from date of invoice. All amounts due shall be paid in full by the Buyer without deduction, withholding, set-off or counterclaim for any reason whatsoever, whether arising in contract, tort (including negligence), breach of statutory duty or otherwise, save as may be required by law. Supplier may, in its sole discretion, determine at any time that the Buyer’s financial condition requires full or partial payment in advance or the provision of security for payment by the Buyer in a form satisfactory to the Supplier.

If the Buyer fails to make any payment when due then, without prejudice to any other rights and remedies available to the Supplier, the Supplier may at its option: (i) treat the Contract as repudiated by the Buyer, to suspend or cancel further delivery of Products and/or the provision of Services or any part thereof under that Contract or any other Contract between them and claim damages and/or receive reasonable cancellation fees; or (ii) affirm the Contract and recover, in addition to the payment, interest thereon at the lesser of 1-1/2% per month or the highest rate permitted by law along with reasonable attorney’s fees and costs associated with recovering such outstanding payments.

5. Security Interest: Buyer hereby grants to Supplier a purchase money security interest in all Supplier products sold to Buyer as security for the punctual performance by Buyer of all of its obligations hereunder. Supplier may, at its discretion, file the Buyer’s order and these terms and conditions as a financing statement to evidence and perfect said security interest.
6. Force Majeure: Notwithstanding anything to the contrary in these Conditions, the Supplier shall not be liable to the Buyer for any loss or damage which may be suffered by the Buyer as a direct or indirect result of the supply of Products or Services being prevented, delayed or rendered uneconomic by reason of circumstances or events beyond the Supplier’s reasonable control. If due to such circumstances or events the Supplier has insufficient stocks to meet all its commitments the Supplier may apportion available stocks between its customers at its sole discretion.
7. Equipment: Supplier may modify specifications provided the modifications do not adversely affect the performance of the equipment to be supplied under the contract (“the equipment”). In addition, Supplier may furnish suitable substitutes for materials unobtainable because of priorities or regulations established by government authority, or non-availability of materials from suppliers. All descriptions, illustrations and any other information relating to the Products contained in the Supplier’s catalogues, brochures, price lists, advertising material and any sales or other particulars or literature are made by way of general description, are approximate only and for the general guidance and information of the Buyer. They shall not constitute warranties or representations by the Supplier nor shall they form part of any Contract.

8. Software and Proprietary Information: Buyer acknowledges and agrees that all property, copyright and other intellectual property rights in any work or tangible deliverable item arising from or created, produced or developed by the Supplier under or in the course of provision of any Services



(the "Works"), wherever in the world enforceable, including without limitations all right title and interest in and to the Services and all documents, data, drawings, specifications, articles, sketches, drawings, reports, inventions, improvements, modifications, discoveries, tools, scripts and other items relating thereto shall immediately upon creation or performance vest in and shall be and remain the sole and exclusive property of the Supplier and the Buyer shall acquire no right, title or interest in or to the same except as expressly stated in these Conditions. The Supplier grants to the Buyer a revocable, non-exclusive, non-transferable license to use such of the Works as are necessary, and to the extent necessary, for the Buyer to obtain and utilize the intended benefit of the Services. Each party undertakes to keep confidential, not use for its own purposes and not without the prior written consent of the other party disclose to any third party, any information of a confidential nature belonging or relating to the other party which may become known to it unless such information is or becomes public knowledge (other than by breach of this Section) or is required to be disclosed by order of a competent authority.

#### 9. Limited Warranty; Remedies; Exclusions:

A. Supplier warrants that all equipment shall be free from defects in material and workmanship under normal use for a period of one year from date of shipment to Buyer save that Supplier does not warrant that operation of the software will be completely uninterrupted or error free or that all program errors will be corrected. Buyer shall be responsible for determining that the equipment is suitable for Buyer's use and that such use complies with any applicable local, state or federal law. Provided that Buyer notifies Supplier in writing of any claimed defect in the equipment immediately upon discovery and any such equipment is returned to the original shipping point, transportation charges prepaid, within one (1) year from date of shipment to Buyer and upon examination Supplier determines to its satisfaction that such equipment is defective in material or workmanship, i.e. contains a defect arising out of the manufacture of the equipment and not a defect caused by other circumstances, including, but not limited to accident, misuse, unforeseeable use, neglect, alteration, improper installation, improper adjustment, improper repair, or improper testing, Supplier shall at its option repair or replace the equipment, shipment to Buyer prepaid. Supplier shall have reasonable time to make such repair or to replace such equipment. Any repair or replacement of equipment shall not extend the period of warranty. This warranty is limited to a period of one (1) year, without regard to whether any claimed defects were discoverable or latent on the date of shipment.

B. If Buyer shall fail to pay when due any portion of the purchase price or any other payment required from Buyer to Supplier under this contract or otherwise, all warranties and remedies granted under this Section 9 may, at Supplier's option, be terminated.

C. THE FOREGOING WARRANTY IS EXCLUSIVE AND IN LIEU OF ALL OTHER REPRESENTATIONS, WARRANTIES AND COVENANTS, EXPRESS OR IMPLIED, WITH RESPECT TO THE EQUIPMENT AND ANY DEFECTS THEREIN OF ANY NATURE WHATSOEVER, INCLUDING WITHOUT LIMITATION WARRANTIES OF MERCHANTABILITY OR FITNESS FOR A PARTICULAR PURPOSE. SUPPLIER SHALL NOT BE LIABLE FOR, AND BUYER ASSUMES ALL RISK OF, ANY ADVICE OR FAILURE TO PROVIDE ADVICE BY SUPPLIER TO BUYER REGARDING THE EQUIPMENT OR BUYER'S USE OF THE SAME. UNDER NO CIRCUMSTANCES SHALL SUPPLIER BE LIABLE TO BUYER UNDER ANY TORT, NEGLIGENCE, STRICT LIABILITY, OR PRODUCT LIABILITY CLAIM AND BUYER AGREES TO WAIVE SUCH CLAIMS. SUPPLIER'S SOLE AND EXCLUSIVE LIABILITY, AND BUYER'S SOLE AND EXCLUSIVE REMEDY, FOR ANY NONCONFORMITY OR DEFECT IN THE PRODUCTS OR ANYTHING DONE IN CONNECTION WITH THIS CONTRACT, IN TORT (INCLUDING NEGLIGENCE), CONTRACT, OR OTHERWISE, SHALL BE AS SET FORTH IN SUBSECTION 9A HEREOF AS LIMITED BY SUBSECTION 9B HEREOF. THIS EXCLUSIVE REMEDY SHALL NOT HAVE FAILED OF ITS ESSENTIAL PURPOSE (AS THAT TERM IS USED IN THE UNIFORM COMMERCIAL CODE) PROVIDED THAT THE SUPPLIER REMAINS WILLING TO REPAIR OR REPLACE DEFECTIVE EQUIPMENT (AS DEFINED IN SUBSECTION 9A) WITHIN A COMMERCIALY REASONABLE TIME AFTER RECEIVING SUCH EQUIPMENT. BUYER SPECIFICALLY ACKNOWLEDGES THAT SUPPLIER'S PRICE FOR THE EQUIPMENT IS BASED UPON THE LIMITATIONS OF SUPPLIER'S LIABILITY AS SET FORTH IN THIS CONTRACT.

10. Patents: If any claim is made against the Buyer that the Products or Services infringe any third party's US patent, the Supplier shall indemnify the Buyer against all losses, damages, costs and expenses awarded against, or incurred by, the Buyer in connection with the claim provided that: (i) the Supplier is given full control of any proceedings or negotiations in connection with any such claim; (ii) the Buyer shall give the Supplier all reasonable assistance for the purposes of any such proceedings or negotiations; (iii) except pursuant to a final award, the Buyer shall not pay or accept any such claim, or compromise any such proceedings without the consent of the Supplier; (iv) the Buyer shall do nothing which would or might vitiate any insurance policy or cover which the Buyer may have in relation to such infringement and shall use its best endeavors to recover any sums due thereunder and this indemnity shall not apply to the extent that the Buyer recovers any sums under any such policy or cover; (v) the Supplier shall be entitled to the benefit of, and the Buyer shall accordingly account to the Supplier for, all damages and costs (if any) awarded in favor of the Buyer which are payable by, or agreed with the consent of the Buyer (which consent shall not be unreasonably withheld) to be paid by, any other party in respect of any such claim; and (vi) without prejudice to any duty of the Buyer at common law, the Supplier shall be entitled to require the Buyer to take such steps as the Supplier may reasonably require to mitigate or reduce any such loss, damages, costs or expenses for which the Supplier is liable to indemnify the Buyer under section 11, which steps may include (at the Supplier's option) accepting from the Supplier non-infringing, modified or replacement Products or Services.

The Supplier shall have no obligation or liability under Section 11 insofar as the infringement arises from: (i) any additions or modifications made to the Products and/or Services in question, otherwise than by the Supplier or with its prior written consent; (ii) any information provided by the Buyer to the Supplier including without limitation any specification; (iii) performance by the Supplier of any work required to any Products, or performance of any Services, in compliance with the Buyer's requirements or specification; (iv) a combination with or an addition to equipment not manufactured or developed by the Supplier; or (v) the use of Products beyond that scope established by the Supplier or approved in writing by the Supplier.

11. Limitation of Liability and Buyer Indemnity: NOTHING IN THESE CONDITIONS SHALL EXCLUDE OR LIMIT THE SUPPLIER'S LIABILITY TO THE EXTENT THAT THE SAME MAY NOT BE EXCLUDED OR LIMITED AS A MATTER OF LAW. IN NO EVENT, REGARDLESS OF THE FORM OF ACTION, SHALL



SUPPLIER BE LIABLE FOR ANY SPECIAL, INDIRECT, INCIDENTAL, OR CONSEQUENTIAL LOSSES OR DAMAGES ARISING OUT OF THE SALE OF ITS PRODUCTS TO BUYER OR ARISING OUT OF ANYTHING DONE IN CONNECTION WITH THE CONTRACT, INCLUDING, BUT NOT LIMITED TO, LOSSES OR DAMAGES ARISING OUT OF CLAIMS FOR LOSS OF USE, LOSS OF INCOME, LOSS OF REVENUE, BUSINESS, GOODWILL, OR PROFITS, AND CLAIMS ARISING OUT OF THIRD-PARTY ACTIONS, REGARDLESS OF WHETHER SUCH THIRD-PARTY ACTIONS, OR ANY OTHER CLAIMS, LOSSES, OR DAMAGES, WERE REASONABLY FORESEEABLE TO BUYER OR SUPPLIER. BUYER'S EXCLUSIVE REMEDY ARISING OUT OF ITS PURCHASE AND USE OF SUPPLIER'S PRODUCTS, OR ARISING OUT OF ANYTHING DONE IN CONNECTION WITH THE CONTRACT, SHALL BE FOR DAMAGES AND NO CLAIM OR CLAIMS OF ANY KIND, WHETHER BASED UPON CONTRACT, WARRANTY, TORT (INCLUDING, BUT NOT LIMITED TO, NEGLIGENCE, WARRANTY AND STRICT LIABILITY), STATUTORY OR REGULATORY PROVISIONS, INDEMNITY, CONTRIBUTION, OR OTHERWISE, SHALL BE GREATER IN AMOUNT IN AGGREGATE THAN THE PURCHASE PRICE OF THE PRODUCTS IN RESPECT OF WHICH DAMAGES ARE CLAIMED.

Buyer shall indemnify and hold harmless Supplier, its officers, agents, employees, subsidiaries, parents, affiliates and insurers from and against any and all liabilities, damages, losses, claims, lawsuits, including costs and expenses in connection therewith, for death or injury to any persons or loss of any property whatsoever, caused in any manner by Buyer's possession, use or operation of equipment.

12. Non-Waiver; Remedies: No waiver of any breach of these Terms and Conditions shall constitute a waiver of any prior or subsequent breach of any similar or dissimilar provision or a modification of the contract. All Supplier rights and remedies, whether evidenced hereby or by any other contract or document, shall be cumulative and nonexclusive and may be exercised singularly or concurrently.

13. Applicable Law; Dispute resolution; Severability: The validity, performance and construction of the contract shall be governed by the laws of the State of Washington, without regard to conflicts of law principles. The parties agree that the United Nations Convention on Contracts for the International Sale of Goods is specifically excluded from application to these Conditions. Any claim, dispute or other matter in question arising out of or relating to this provision, shall be subject to mediation as a condition precedent to binding dispute resolution. Any mediation under this Agreement shall be administered by the American Arbitration Association in accordance with its mediation procedures then in effect. The parties shall equally share the mediator's fee and any filing fees. If the parties do not resolve their dispute through mediation, the dispute shall be resolved in mandatory arbitration pursuant to an arbitration administered by the American Arbitration Association in accordance with its arbitration rules then in effect. The arbitrator(s) award shall be final and judgment may be entered upon it in accordance with applicable law in any court having jurisdiction thereof. Any mediation or arbitration shall be held in Seattle, WA. If Supplier is the substantially prevailing party, Supplier will be entitled to and awarded, in addition to any other relief, its reasonable costs incurred, including attorneys' fees. Notwithstanding any attempts to resolve differences, any action brought by Buyer against Supplier arising out of this contract or Buyer's purchase and use of the equipment must be commenced within one year after such use occurs and in no event later than two years after date of shipment of such equipment. Nothing in this Section 13 shall prevent any party from having recourse to a court of competent jurisdiction for the sole purpose of seeking a preliminary injunction or such other provisional judicial relief as it considers necessary. If any provision of these Terms and Conditions is held to be unenforceable, such holding shall not affect the enforceability of any other provision.

14. Government Contracts: If the products to be furnished under the contract are to be used in the performance of a United States Government contract or subcontract, the Government contract number and a statement to that effect shall appear on Buyer's purchase order. If Buyer's purchase order includes all of said information and if said order is accepted in writing by Supplier, then those clauses of the applicable Government procurement regulations which are mandatorily required by Federal statute or regulation to be included in this contract shall be incorporated herein by reference. In all other events, said clauses shall not be incorporated herein by reference.

15. Export: Regardless of any disclosure made by Buyer to Supplier of the ultimate destination of Supplier product(s), Buyer shall not export either directly or indirectly any Supplier product, or any system incorporating said product(s) either in contravention of statute or regulation or without first obtaining all required licenses and permits from the United States Department of Commerce and any other relevant agencies or departments of the United States government.

16. Assignment: The contract shall be binding upon and inure to the benefit of the parties and their respective legal representatives, successors and permitted assigns. The contract is personal to Buyer, and Buyer may not assign any of its rights or delegate any of its obligations hereunder, in whole or in part, without the prior written consent of Supplier, which Supplier may withhold for any reason or no reason.

17. Entire Agreement; Modifications: This contract constitutes the entire agreement between the parties as relates to the sale of the equipment and no addition to or modification of any provision of said agreement, together with any agreement to which these Terms and Conditions are an exhibit or schedule, and shall be binding upon Supplier unless agreed to in writing by Supplier.

18. Notices: All notices given under the contract shall be in writing, mailed by first class mail, certified or registered, or delivered by hand to the address of the other party set forth in the quotation or to such other address as such party may designate from time to time by such notice, and shall take effect when received.

06-000031-01 Rev. E



# MICROSCAN.

## Product Return Process

The following describes the process for returning products. This is broken down into two main processes:

1. **RMA (Return Material Authorization) process for NEW PRODUCT**
2. **RMA (Return Material Authorization) process for IN SERVICE PRODUCT**

### RMA (Return material Authorization) process for NEW PRODUCT

This process is used to return a new product because it failed to work on initial startup (damaged on arrival) or the end customer wants to return the product to stock.

- **Damaged on arrival** = Out of box failures, determined at time of initial power up and within 30 days of shipment from Microscan.
  1. Contact your inside sales representative with the FIS part number, serial number, original sales order and/or purchase order and description of failure.
  2. RMA# issued only by Inside Sales Rep. This number **MUST** appear on the outside of the shipping container and on all related paperwork. Product must be returned in it's original factory packaging. If defective scanner is covered under our standard warranty terms, customers ORIGINAL SALES ORDER will be credited.
  3. If required, a REPLACEMENT sales order can be entered immediately for ASAP shipment. NOTE - Replacement scanner is processed as a NEW order and NEW INVOICE is generated at time of shipment.
- **Returns to stock** = Must be requested within 30 days of original shipment date from Microscan.
  1. Contact your inside sales representative with FIS or accessory part number, serial number (if applicable), original sales order and/or purchase order and reason for return. Upon approval all returns are subject to a standard 20% restocking fee.
  2. RMA# issued by Inside Sales Rep. This number **MUST** appear on the outside of the shipping container and on all related paperwork. Product must be returned in it's original factory packaging.

### RMA (return material authorization) process for IN SERVICE PRODUCT

This process is used to return a product that needs to be repaired.

- **IN WARRANTY**
  1. Contact Customer Service (425-226-5700) with the part number, serial number, description of failure, and request a return material authorization form (RMA).
  2. The RMA# issued by a Customer Service Representative **MUST** appear on the outside of the shipping container and on all related paperwork.
- **OUT OF WARRANTY**
  1. Contact Customer Service as per "In Warranty" (above) and request a return material authorization form. Upon completion of this document, return it along with your confirming PURCHASE ORDER and an RMA# will then be issued authorizing the return of the product.
  2. The RMA# issued by a Customer Service Representative **MUST** appear on the outside of the shipping container and on all related paperwork.

**All RMAs, warranty and non warranty will be cancelled in 60 days from issuing date if not received.**  
If a warranty repair is changed to a non warranty repair, a purchase order must be received within 30 days of notification or the item will be returned to the sender.

# MICROSCAN.

## Auto ID Barcode Readers

### MS-1 Series Scan Engines

#### Read Ranges \*

Narrow Bar	Laser High Density
5 mil (.127 mm)	0.6" to 2.1" (15 to 53 mm)
10 mil (.254 mm)	0.6" to 4.1" (15 to 104 mm)
15 mil (.381 mm)	0.6" to 5.1" (15 to 130 mm)
Narrow Bar	Laser Low Density
5 mil (.127 mm)	1.8" to 3.6" (46 to 91 mm)
10 mil (.254 mm)	1.8" to 7.0" (46 to 178 mm)
20 mil (.508 mm)	1.8" to 12.6" (46 to 320 mm)



\*\*\* NOTE: MS1 16 Bit Scan Engines are available in our Legacy Section of this Price Book.

\*\*Important Pricing Discount Note\*\* Product discounts are applied based on the Product TYPE as indicated in the TYPE column of each price sheet.

Two (2) Product Types are defined as follows: P = PRODUCT Discount or A = ACCESSORY Discount.

Refer to your Partner Agreement for the actual discount percentage by Product Type.

#### MS-1 (32 bit) Series Scan Engine

Part Number	Description	List Price	Type
FIS-0001-8003G	MS-1 CCD Scan Engines,Low Density,32 Bit,8-pack	\$1,290	P
FIS-0001-8004G	MS-1 CCD Scan Engines,High Density,32 Bit,8-pack	\$1,290	P

#### Accessories

Part Number	Description	List Price	Type
98-000097-02	MS-1 Demonstration Kit (contains 1 High Density MS-1 and 1 Low Density MS-1)	\$295	**
98-000051-01	Kit, Conversion, IC-3USB, USB	\$83	A

\*\* This demo kit contains readers and is discounted 25%.

#### Package Detector/Sensor

Part Number	Description	List Price	Type
99-000017-01	Photo Sensor, Visible NPN, DARK ON	\$193	A
99-000017-02	Photo Sensor, Visible, NPN, LIGHT ON (for use with IB-131)	\$193	A

#### Software/Manuals

Part Number	Description	List Price	Type
37-000010-01	TOOLS DRIVE, User Documentation, Software	\$30	A

# MICROSCAN.

## MS-2 Series CCD Readers

### Read Ranges

Narrow Bar	High Density
5 mil (.127 mm)	0.4" to 1.9" (10 to 48 mm)
10 mil (.254 mm)	0.4" to 3.9" (10 to 99 mm)
15 mil (.381 mm)	0.4" to 4.9" (10 to 124 mm)
Narrow Bar	Low Density
5 mil (.127 mm)	1.6" to 3.4" (36 to 84 mm)
10 mil (.254 mm)	1.6" to 6.8" (36 to 188 mm)
20 mil (.508 mm)	1.6" to 12.4" (36 to 325 mm)



\*\*\* NOTE: MS2 16 Bit Scan Engines are available in our Legacy Section of this Price Book.

### MS-2 (32 bit)

Part Number	Description	List Price	Type
FIS-0002-0005G	MS-2 CCD,Low Density,32 Bit,RS232 Serial	\$490	P
FIS-0002-0006G	MS-2 CCD,Low Density,32 Bit,USB	\$490	P
FIS-0002-0007G	MS-2 CCD,High Density,32 Bit,RS232 Serial	\$490	P
FIS-0002-0008G	MS-2 CCD,High Density,32 Bit,USB	\$490	P

### Accessories

Part Number	Description	List Price	Type
FIS-0210-0001G	MS-Connect 210,Connectivity Box with Display	\$849	A
FIS-0210-0002G	MS-Connect 210,Connectivity Box	\$549	A
FIS-0210-0003G	MS-Connect 210,Connectivity Box with Display and Ethernet	\$949	A
FIS-0210-0004G	MS-Connect 210,Connectivity Box with Ethernet	\$849	A
98-000013-04	Relay Module,120VAC,3 Amp Output,Series 70,Type SM,for MS-Connect 210 + MS-890	\$52	A
98-000013-05	Relay Module,240VAC,3 Amp Output,Series 70,Type SM for MS-Connect 210 + MS-890	\$52	A
98-000013-06	Relay Module, 24VDC, 3 Amp Output, Series 70, Type SM for MS-Connect 210	\$52	A
61-000127-02	Cable, MS-2 to MS-Connect 210, 6 ft	\$110	A
FIS-0001-0030G	IB-3PC Keyboard Wedge/Interface Box	\$110	A
98-000051-01	Kit, Conversion, IC-3USB, USB	\$83	A
FIS-0001-0035G	Converter, IC-332, 24V/5V,Opto I/O, use with IB-131	\$165	A
99-000018-01	IB-131, Interface Box	\$165	A
98-000039-02	KIT, IB-152	\$138	A
61-300026-03	Cable, Communication, DB-25 Plug to DB-9 Socket, 6 ft	\$33	A
61-000010-02	Cable, Communication, DB-9 Socket to DB-9 Socket, 6 ft	\$33	A
61-000011-02	Extension Cable, Reader to IB-131 (MS-2,3 4,9 710,820 and MINI)	\$33	A
61-100029-03	Cable, Daisy Chain, IB-131	\$33	A
20-500013-01	BOX,INTERFACE,DEVICENET,Brand Label	\$655	A

# MICROSCAN.

## MS-2 Series Accessories

### Power Supplies

Part Number	Description	List Price	Type
97-000002-01	Power Supply, 90-264 VAC,+5VDC, USA /Euro Plug (use with IB-3PC)	\$83	A
97-000002-02	ASSY, POWER SUPPLY, 90-254VAC,+5VDC	\$83	A
97-100004-15	Power Supply, 90-264 VAC,+24VDC USA /Euro Plug (only for IC-332 or connect 210)	\$138	A

### Mounting and Connectors

Part Number	Description	List Price	Type
98-000048-01	Kit, Mounting Arm/Adapter 4 inch, MS-2, MS-3	\$77	A
98-000054-01	KIT,MOUNTING STAND BASE PLATE,MS-3	\$33	A
98-000053-01	KIT,MOUNTING EXTENSION,MS-3, 4"	\$39	A
98-000053-02	KIT,MOUNTING EXTENSION,MS-3,3"	\$39	A
98-000060-01	Kit, Bracket, Side Mount, MS-2, MS-3	\$22	A
98-000059-01	KIT,BRACKET,ANGLE MOUNT,MS-3	\$22	A
98-000057-02	KIT,BRACKET,THRU HOLE MNT,SMALL SCANNER	\$22	A
98-000058-02	Kit, Extended Right Angle Mirror, MS-2, MS-3	\$55	A
98-000061-03	Kit,Bracket Conversion, MS-2, MS-3 to MS-520/MS-525	\$22	A
20-610024-01	Trigger Conn,4pin Plug (screw term and field wireable for custom wiring IB-131)	\$33	A
20-610020-01	Pwr Conn,3pin Sckt (screw term and field wireable for custom wiring into IB-131)	\$33	A

### Package Detector/Sensor

Part Number	Description	List Price	Type
99-000017-01	Photo Sensor, Visible NPN, DARK ON	\$193	A
99-000017-02	Photo Sensor, Visible, NPN, LIGHT ON (for use with IB-131)	\$193	A

### Software/Manuals

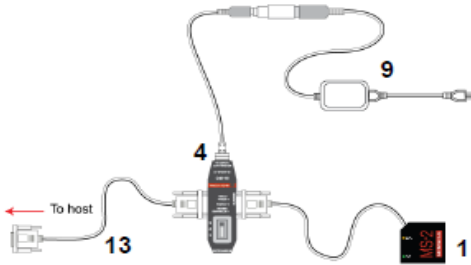
Part Number	Description	List Price	Type
37-000010-01*	TOOLS DRIVE, User Documentation, Software	\$30	A

\* 1 free per order.

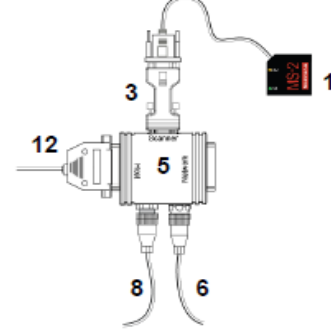
## Tech Reference MS-2

### Configurations

**Standalone (5V)**



**Standalone (10-28V)**



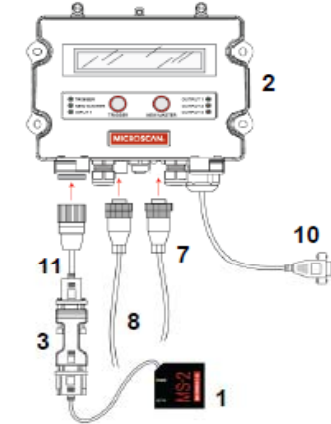
**USB (5V)**



**Keyboard Wedge (5V)**



**Standalone with MS-Connect 210 (10-28V)**



### System Matrix

Product	Reference No.	Description	List Price
1	FIS-0001-800XG (8-pack)	MS-2 CCD Reader	\$1,290
2	FIS-0210-00XG	MS-Connect 210	Varies
3	FIS-0001-0035G	IC-332 Voltage Converter (to 10-28VDC)	\$165
4	FIS-0001-0030G	IP-3PC Interface	\$110
5	99-000018-01	IB-131 Interface Box	\$165
6,7	99-000017-XX	Object Detector, Light or Dark ON	\$193
8	97-100004-15	Power Supply (90-264 VAC, 24VDC, USA/Euro Plug)	\$138
9	97-00002-01	Power Supply (90-264 VAC, 5 VDC)	\$83
10	61-000105-01	Host Cable (MS-Connect 210 to Host)	\$33
11	61-000127-02	Reader Cable (Reader to MS-Connect 210, 6')	\$110
12	61-300026-03	Communication Cable (IB-131 to Host, 6')	\$33
13	61-000010-02	Communication Cable (IB-3PC to Host, 6')	\$33

# MICROSCAN.

## MS-3 Series Scanners

### Read Ranges \*

Narrow Bar		Laser High Density*	
3.3 mil (.084 mm)		2.3" to 2.6" (58 to 66 mm)	
5 mil (.127 mm)		2.0" to 3.1" (51 to 79 mm)	
7.5 mil (.191 mm)		1.7" to 3.7" (43 to 94 mm)	
10 mil (.254 mm)		1.5" to 4.0" (38 to 102 mm)	
Narrow Bar		Laser Low Density*	
7.5 mil (.191 mm)		3.0" to 6.0" (76 to 152 mm)	
10 mil (.254 mm)		2.0" to 7.0" (51 to 178 mm)	
15 mil (.381 mm)		2.0" to 8.0" (51 to 203 mm)	
20 mil (.508 mm)		2.0" to 10.0" (51 to 254 mm)	



\*Call for custom focus. For right-angle version, subtract -0.6" (15mm) from Read Range.

**\*\*Important Pricing Discount Note\*\*** Product discounts are applied based on the Product TYPE as indicated in the TYPE column of each price sheet.

Two (2) Product Types are defined as follows: P = PRODUCT Discount or A = ACCESSORY Discount.

Refer to your Partner Agreement for the actual discount percentage by Product Type.

### Scanners MS-3 Standard

Part Number	Description	List Price	Type
FIS-0003-0001G	MS-3 Barcode Reader,Single Line,Low Density	\$935	P
FIS-0003-0002G	MS-3 Barcode Reader,Single Line,High Density	\$935	P
FIS-0003-0003G	MS-3 Barcode Reader,Raster,Low Density	\$987	P
FIS-0003-0004G	MS-3 Barcode Reader,Raster,High Density	\$987	P
FIS-0003-0005G	MS-3 Barcode Reader,Single Line,Low Density,Right Angle	\$1,050	P
FIS-0003-0006G	MS-3 Barcode Reader,Single Line,High Density,Right Angle	\$1,050	P
FIS-0003-0007G	MS-3 Barcode Reader,Raster,Low Density,Right Angle	\$1,103	P
FIS-0003-0008G	MS-3 Barcode Reader,Raster,High Density,Right Angle	\$1,103	P
FIS-0003-0009G	MS-3 Barcode Reader,Single Line,Low Density,6" Cable	\$935	P
FIS-0003-0010G	MS-3 Barcode Reader,Single Line,High Density,6" Cable	\$935	P
FIS-0003-0011G	MS-3 Barcode Reader,Raster,Low Density,6" Cable	\$987	P
FIS-0003-0012G	MS-3 Barcode Reader,Raster,High Density,6" Cable	\$987	P
FIS-0003-0013G	MS-3 Barcode Reader,Single Line,Low Density,Right Angle,6" Cable	\$1,050	P
FIS-0003-0014G	MS-3 Barcode Reader,Single Line,High Density,Right Angle,6" Cable	\$1,050	P
FIS-0003-0015G	MS-3 Barcode Reader,Raster,Low Density,Right Angle,6" Cable	\$1,103	P
FIS-0003-0016G	MS-3 Barcode Reader,Raster,High Density,Right Angle,6" Cable	\$1,103	P
FIS-0003-0019G	MS-3 Barcode Reader,Raster,Low Density,PDF	\$1,103	P
FIS-0003-0020G	MS-3 Barcode Reader,Raster,High Density,PDF	\$1,103	P
FIS-0003-0028G	MS-3 Barcode Reader,Raster,High Density,6" Cable,PDF	\$1,103	P
FIS-0003-0033G	MS-3 Barcode Reader,Single Line,Low Density,VS-310 Replacement	\$935	P
FIS-0003-0036G	MS-3 Barcode Reader,Raster,High Density,VS-310 Replacement	\$987	P
FIS-0003-0037G	MS-3 Barcode Reader,Single Line,Low Density,MS-610 Replacement	\$1,103	P
FIS-0003-0038G	MS-3 Barcode Reader,Raster,Low Density,MS-610 Replacement	\$1,166	P

Note: Please reference the Legacy section of this catalog for additional PDF versions.

## MS-3 Series Scanner Accessories

### Accessories

Part Number	Description	List Price	Type
FIS-0210-0001G	MS-Connect 210,Connectivity Box with Display	\$849	A
FIS-0210-0002G	MS-Connect 210,Connectivity Box	\$549	A
FIS-0210-0003G	MS-Connect 210,Connectivity Box with Display and Ethernet	\$949	A
FIS-0210-0004G	MS-Connect 210,Connectivity Box with Ethernet	\$849	A
98-000013-04	Relay Module,120VAC,3 Amp Output,Series 70,Type SM,for MS-Connect 210 + MS-890	\$52	A
98-000013-05	Relay Module,240VAC,3 Amp Output,Series 70,Type SM for MS-Connect 210 + MS-890	\$52	A
98-000013-06	Relay Module, 24VDC, 3 Amp Output, Series 70, Type SM for MS-Connect 210	\$52	A
61-000127-02	Cable, MS-2 to MS-Connect 210, 6 ft	\$110	A
FIS-0001-0030G	IB-3PC Keyboard Wedge/Interface Box	\$110	A
98-000051-01	Kit, Conversion, IC-3USB, USB	\$83	A
FIS-0001-0035G	Converter, IC-332, 24V/5V,Opto I/O, use with IB-131	\$165	A
99-000018-01	IB-131, Interface Box	\$165	A
98-000039-02	KIT, IB-152	\$138	A
61-300026-03	Cable, Communication, DB-25 Plug to DB-9 Socket, 6 ft	\$33	A
61-000010-02	Cable, Communication, DB-9 Socket to DB-9 Socket, 6 ft	\$33	A
61-000011-02	Extension Cable, Reader to IB-131 (MS-2,3 4,9 710,820 and MINI)	\$33	A
61-100029-03	Cable, Daisy Chain, IB-131	\$33	A
20-500013-01	BOX,INTERFACE,DEVICENET,Brand Label	\$655	A
98-000055-05*	Demo Kit, MS-3	\$595	A

\* This Demo Kit does not contain a reader and is discounted 25%. The separately purchased reader is discounted 60%.

† Part is not RoHS compliant.

### Power Supplies

Part Number	Description	List Price	Type
97-000002-01	Power Supply, 90-264 VAC,+5VDC, USA /Euro Plug (use with IB-3PC)	\$83	A
97-100004-15	Power Supply, 90-264 VAC,+24VDC USA /Euro Plug (only for IC-332 or connect 210)	\$138	A

### Mounting and Connectors

Part Number	Description	List Price	Type
98-000048-01	Kit, Mounting Arm/Adapter 4 inch, MS-2, MS-3	\$77	A
98-000054-01	KIT,MOUNTING STAND BASE PLATE,MS-3	\$33	A
98-000053-01	KIT,MOUNTING EXTENSION,MS-3, 4"	\$39	A
98-000053-02	KIT,MOUNTING EXTENSION,MS-3,3"	\$39	A
98-000060-01	Kit, Bracket, Side Mount, MS-2, MS-3	\$22	A
98-000059-01	KIT,BRACKET,ANGLE MOUNT,MS-3	\$22	A
98-000057-02	KIT,BRACKET,THRU HOLE MNT,SMALL SCANNER	\$22	A
98-000058-02	Kit, Extended Right Angle Mirror, MS-2, MS-3	\$55	A
98-000061-03	Kit,Bracket Conversion, MS-2, MS-3 to MS-520/MS-525	\$22	A
20-610024-01	Trigger Conn,4pin Plug (screw term and field wireable for custom wiring IB-131)	\$33	A
20-610020-01	Pwr Conn,3pin Sckt (screw term and field wireable for custom wiring into IB-131)	\$33	A

### Package Detector/Sensor

Part Number	Description	List Price	Type
99-000017-01	Photo Sensor, Visible NPN, DARK ON	\$193	A
99-000017-02	Photo Sensor, Visible, NPN, LIGHT ON (for use with IB-131)	\$193	A

### Software/Manuals

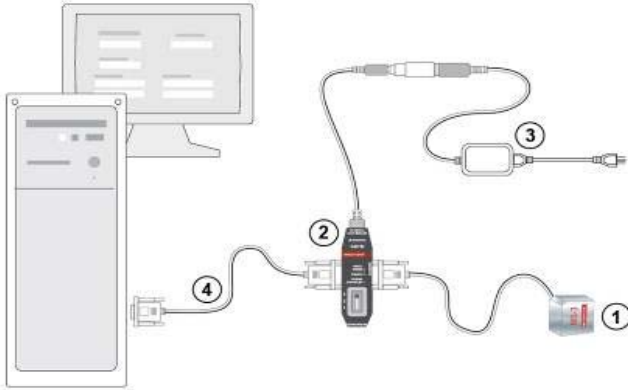
Part Number	Description	List Price	Type
37-000010-01*	TOOLS DRIVE, User Documentation, Software	\$30	A

\* 1 free per order.

## Tech Reference MS-3

### Stand Alone (5V)

This is the basic setup for a single MS-3.



### System Matrix

Product	Reference No.	Description	List Price
(1) MS-3 Laser	FIS-0003-XXXXG	Scanner Model	Varies
(2) IB-3PC	FIS-0001-0030G	Keyboard Wedge/Interface Box	\$110
(3) Power Supply	97-000002-01	Power Supply, 90-264 VAC, +5VDC	\$83
(4) Communication Cable	61-000010-02	9-pin Socket to 9-pin Socket, 6 ft	\$33
Mounting Arm/Adapter Kit	98-000048-01	4" (102mm) Mounting Kit	\$77
Mounting Plate	98-000054-01	Mounting Stand Base Plate, Small	\$33
User Documentation, Software	37-000010-01	TOOLS DRIVE, User Documentation, Software*	\$30

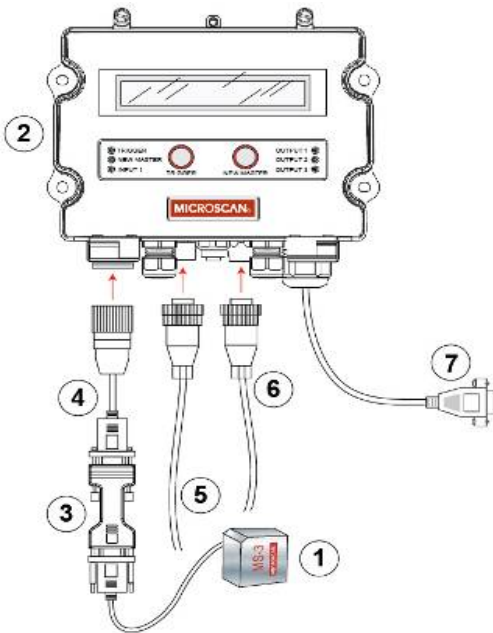
\* 1 free per order.



## Tech Reference MS-3

### Stand Alone (5V)

This is the basic setup for a single MS-3 and MS-Connect 210.



### System Matrix

Product	Reference No.	Description	List Price
1	FIS-0003-XXXXG	Scanner Model	Varies
2	FIS-0210-000XG	Connectivity Box A	Varies
3	FIS-0001-0035G	Converts the Voltage Level to 10-28 for the MS-3	\$165
4	61-000127-02	Cable, MS-3 to MS-Connect 210, 6 ft	\$110
5	97-100004-15	Power Supply, 90-264 VAC, 24VDC USA /Euro Plug	\$138
6	99-000017-02	Photo Sensor, Visible, NPN, LIGHT ON	\$193
7	61-000105-01	Pre-stripped RS-232, 9-pin host cable **	\$33
User Documentation, Software	37-000010-01	TOOLS DRIVE, User Documentation, Software*	\$30

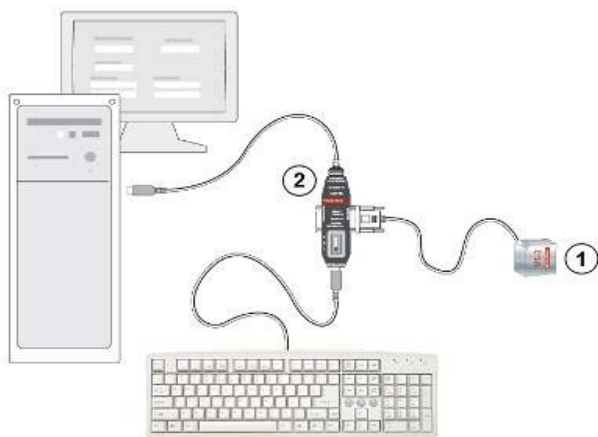
<sup>A</sup> See MS-Connect Series section for a complete listing of Accessories

\*\* 1 free host cable is included with each MS-Connect 210

\* 1 free per order.

## Tech Reference MS-3 Keyboard Wedge

Allows the scanner to bypass RS-232 port and input data to a host via the keyboard line.



### System Matrix

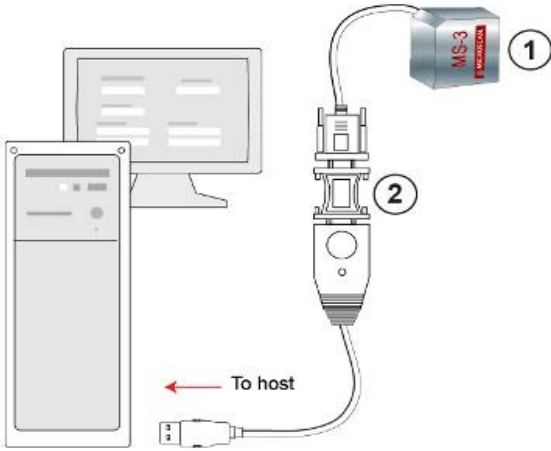
Product	Reference No.	Description	List Price
1	FIS-0003-XXXXG	Scanner Model	Varies
2	FIS-0001-0030G	Keyboard Wedge/Interface Box	\$110
Mounting Arm/Adapter Kit	98-000048-01	4" (102mm) Mounting Kit	\$77
Mounting Plate	98-000054-01	Mounting Stand Base Plate, Small	\$33
User Documentation, Software	37-000010-01	TOOLS DRIVE, User Documentation, Software*	\$30

\* 1 free per order.

## Tech Reference MS-3

### USB

Allows the scanner to be powered and communicate via a USB port (virtual com port).



### System Matrix

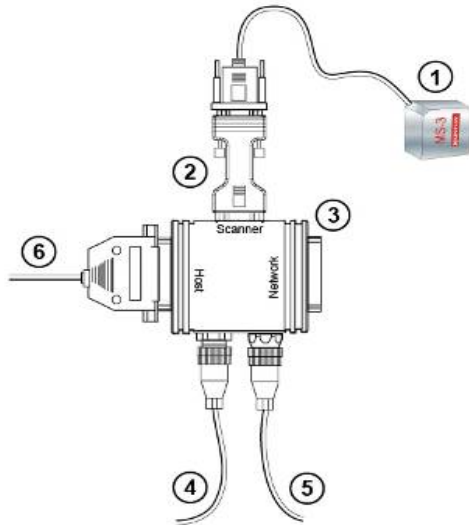
Product	Reference No.	Description	List Price
1	FIS-0003-XXXXG	Scanner Model	Varies
2	98-000051-01	Converts to USB Standard	\$83
Mounting Arm/Adapter Kit	98-000048-01	4" (102mm) Mounting Kit	\$77
Mounting Plate	98-000054-01	Mounting Stand Base Plate, Small	\$33
User Documentation, Software	37-000010-01	TOOLS DRIVE, User Documentation, Software*	\$30

\* 1 free per order.

## Tech Reference MS-3

### Stand Alone (10-28V)

This is the basic setup for a single MS-3.



### System Matrix

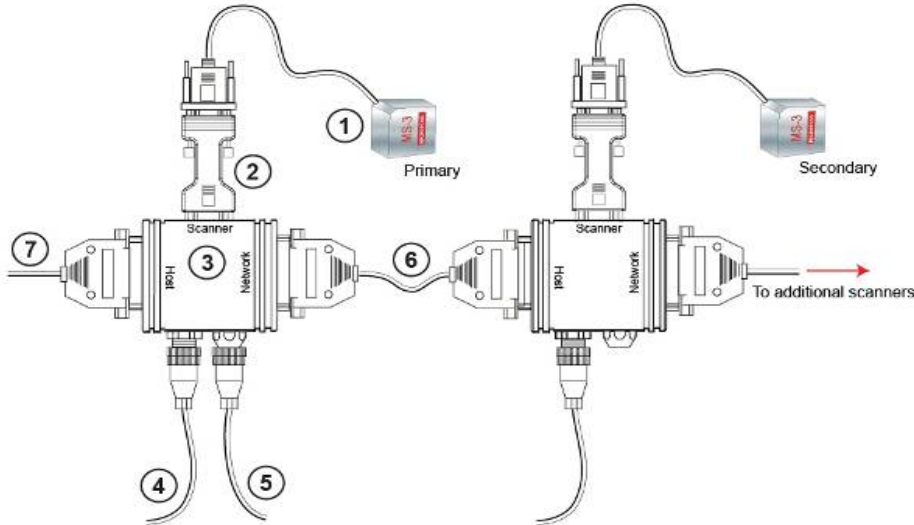
Product	Reference No.	Description	List Price
1	FIS-0003-XXXXG	Scanner Model	Varies
2	FIS-0001-0035G	Adapts an MS-3 to an MS-9 Pinout, Converts the Voltage Level to 10-28, Allows Connection to IB-131	\$165
3	99-000018-01	Interface Box	\$165
4	97-100004-15	Power Supply, 90-264 VAC, 24VDC USA /Euro Plug	\$138
5	99-000017-01	Photo Sensor, Visible, NPN, DARK ON	\$193
6	61-300026-03	25-pin Plug to 9-pin Socket , 6 ft	\$33
Mounting Arm/Adapter Kit	98-000048-01	4" (102mm) Mounting Kit	\$77
Mounting Plate	98-000054-01	Mounting Stand Base Plate, Small	\$33
User Documentation, Software	37-000010-01	TOOLS DRIVE, User Documentation, Software*	\$30

\* 1 free per order.

## Tech Reference MS-3

### Daisy Chain

A primary scanner is linked directly to the host. Secondary scanners (up to 9) are linked in tandem. Data is sent from the primary scanner directly to the host.



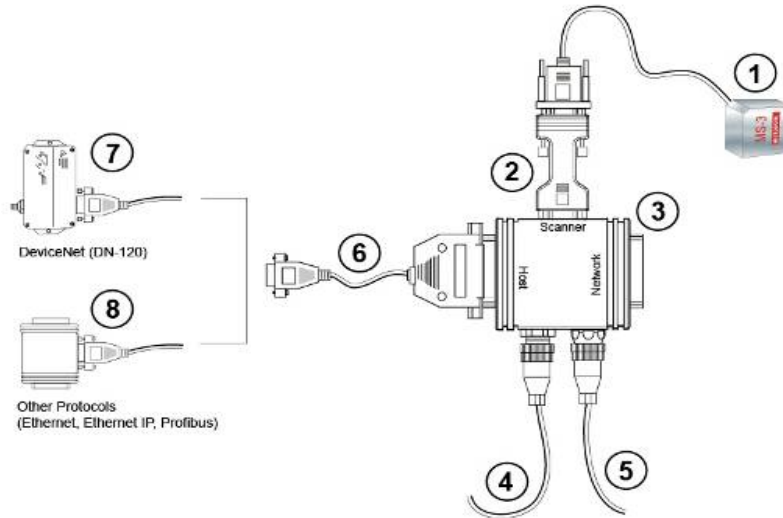
### System Matrix

Product	Reference No.	Description	List Price
1	FIS-0003-XXXXG	Scanner Model	Varies
2	FIS-0001-0035G	Adapts an MS-3 to an MS-9 Pinout, Converts the Voltage Level to 10-28, Allows Connection to IB-131	\$165
3	99-000018-01	Interface Box	\$165
4	97-100004-15	Power Supply, 90-264 VAC, 24VDC USA /Euro Plug	\$138
5	99-000017-01	Photo Sensor, Visible, NPN, DARK ON	\$193
6	61-100029-03	IB-131 to IB-131, 1 ft (0.3 meters)	\$33
7	61-300026-03	25-pin Plug to 9-pin Socket, 6 ft	\$33
Mounting Arm/Adapter Kit	98-000048-01	4" (102mm) Mounting Kit	\$77
Mounting Plate	98-000054-01	Mounting Stand Base Plate, Small	\$33
User Documentation, Software	37-000010-01	TOOLS DRIVE, User Documentation, Software*	\$30

\* 1 free per order.

## Tech Reference MS-3

### Optional Interface Protocols



### System Matrix

Product	Reference No.	Description	List Price
1	FIS-0003-XXXXG	Scanner Model	Varies
2	FIS-0001-0035G	Adapts an MS-3 to an MS-9 Pinout, Converts the Voltage Level to 10-28, Allows Connection to IB-131	\$165
3	99-000018-01	Interface Box	\$165
4	97-100004-15	Power Supply, 90-264 VAC, 24VDC USA /Euro Plug	\$138
5	99-000017-01	Photo Sensor, Visible, NPN, DARK ON	\$193
6	61-300026-03	25-pin Plug to 9-pin Socket , 6 ft	\$33
7	20-500013-01	DeviceNet Protocol Box <sup>1</sup>	\$655
8	Third Party	Ask your Microscan sales representative which solution is appropriate for your application.	Varies
Mounting Arm/Adapter Kit	98-000048-01	4" (102mm) Mounting Kit	\$77
Mounting Plate	98-000054-01	Mounting Stand Base Plate, Small	\$33
User Documentation, Software	37-000010-01	TOOLS DRIVE, User Documentation, Software*	\$30

<sup>1</sup> Part is not RoHS compliant.

\* 1 free per order.

# MICROSCAN

## MS-9 High Speed Scanner

### Read Ranges \*

Narrow Bar	High Density
5 mil (.127 mm)	1.75" to 3.0" (44 to 76 mm)
7.5 mil (.191 mm)	1.5" to 4.0" (38 to 101 mm)
Narrow Bar	Low Density
7.5 mil (.191 mm)	2.0" to 5.0" (50 to 127 mm)
10 mil (.254 mm)	1.5" to 6.0" (38 to 152 mm)
15 mil (.381 mm)	1.0" to 7.0" (25 to 178 mm)
20 mil (.508 mm)	1.0" to 9.0" (25 to 230 mm)

\* Call for custom focus.



**\*\*Important Pricing Discount Note\*\* Product discounts are applied based on the Product TYPE as indicated in the TYPE column of each price sheet.**

Two (2) Product Types are defined as follows: P = PRODUCT Discount or A = ACCESSORY Discount.

Refer to your Partner Agreement for the actual discount percentage by Product Type.

### Scanners \*

Part Number	Description	List Price	Type
FIS-0911-0001G	MS-9 Barcode Reader,Single Line,Low Density,RS-232/422/485,10-28 VDC	\$2,145	P
FIS-0911-0002G	MS-890 Barcode Reader,Single Line,High Density,RS-232/422/485,10-28 VDC	\$2,145	P
FIS-0911-0003G	MS-890 Barcode Reader,Single Line,OMR,Low Density,RS-232/422/485,10-28 VDC	\$2,409	P
FIS-0911-0004G	MS-890 Barcode Reader,Single Line,OMR,High Density,RS-232/422/485,10-28 VDC	\$2,409	P
FIS-0911-0005G	MS-890 Barcode Reader,Raster Line,Low Density,RS-232/422/485,10-28 VDC	\$2,277	P
FIS-0911-0006G	MS-890 Barcode Reader,Raster Line,High Density,RS-232/422/485,10-28 VDC	\$2,277	P
FIS-0911-0007G	MS-890 Barcode ReaderSingle Line,Low Density,Pharmacode,RS-232/422/485,10-28 VDC	\$2,145	P

\* Scanner has a 3 ft cable terminated with a HD 15 Pin D-sub.

### Accessories

Part Number	Description	List Price	Type
FIS-0210-0001G	MS-Connect 210,Connectivity Box with Display	\$849	A
FIS-0210-0002G	MS-Connect 210,Connectivity Box	\$549	A
FIS-0210-0003G	MS-Connect 210,Connectivity Box with Display and Ethernet	\$949	A
FIS-0210-0004G	MS-Connect 210,Connectivity Box with Ethernet	\$849	A
98-000013-04	Relay Module,120VAC,3 Amp Output,Series 70,Type SM,for MS-Connect 210 + MS-890	\$52	A
98-000013-05	Relay Module,240VAC,3 Amp Output,Series 70,Type SM for MS-Connect 210 + MS-890	\$52	A
98-000013-06	Relay Module, 24VDC, 3 Amp Output, Series 70, Type SM for MS-Connect 210	\$52	A
61-000127-02	Cable, MS-2 to MS-Connect 210, 6 ft	\$110	A
99-000018-01	IB-131, Interface Box	\$165	A
FIS-0001-0030G	IB-3PC Keyboard Wedge/Interface Box	\$110	A
20-500013-01	BOX,INTERFACE,DEVICENET,Brand Label	\$655	A
98-000051-01	Kit, Conversion, IC-3USB, USB	\$83	A
98-000039-02	KIT, IB-152	\$138	A
61-300026-03	Cable, Communication, DB-25 Plug to DB-9 Socket, 6 ft	\$33	A
61-100029-03	Cable, Daisy Chain, IB-131	\$33	A
61-000011-02	Extension Cable, Reader to IB-131 (MS-2,3 4,9 7,10,820 and MINI)	\$33	A

\* Works with IB-131. \*\* Works with IB-131; not RoHS compliant.

### Power Supply

Part Number	Description	List Price	Type
97-100004-15	Power Supply, 90-264 VAC,+24VDC USA /Euro Plug (only for IC-332 or connect 210)	\$138	A

### Mounting and Connectors

Part Number	Description	List Price	Type
98-200036-01	KIT,RIGHT ANGLE MIRROR,MS-911	\$83	A
98-000092-01	or pt 25 when released	\$22	A
20-610024-01	Trigger Conn,4pin Plug (screw term and field wireable for custom wiring IB-131)	\$33	A
20-610020-01	Pwr Conn,3pin Sckt (screw term and field wireable for custom wiring into IB-131)	\$33	A
98-000019-01	KIT,MOUNTING STAND,MS-911,6"	\$99	A
98-000037-01	KIT, EXTENSION, ALL SCANNERS, 6 INCH	\$61	A
98-000054-01	KIT,MOUNTING STAND BASE PLATE,MS-3	\$33	A

### Package Detector/Sensor

Part Number	Description	List Price	Type
99-000017-01	Photo Sensor, Visible NPN, DARK ON	\$193	A
99-000017-02	Photo Sensor, Visible, NPN, LIGHT ON (for use with IB-131)	\$193	A

### Software/Manuals

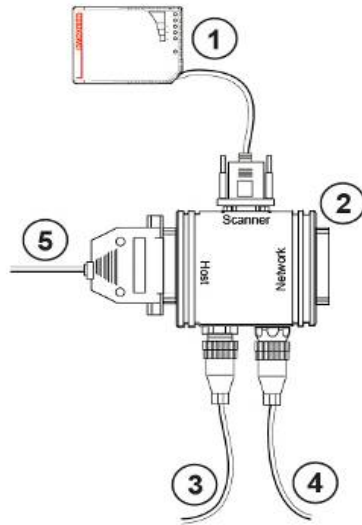
Part Number	Description	List Price	Type
37-000010-01*	TOOLS DRIVE, User Documentation, Software	\$30	A

\* 1 free per order.

## Tech Reference MS-9

### Stand Alone

This is the basic setup for a single MS-9.



### System Matrix

Product	Reference No.	Description	List Price
1	FIS-0911-XXXXG	Scanner Models	Varies
2	99-000018-01	Interface Module	\$165
3	97-100004-15	Power Supply, 90-264 VAC, 24VDC USA /Euro Plug	\$138
4	99-000017-01	Photo Sensor, Visible, NPN, DARK ON	\$193
5	61-300026-03	Connects Decoder to the PC (Host), 6 ft	\$33
Mounting Arm/Adapter Kit	98-000019-01	Adjustable, 6 inch Mounting Arm	\$99
Mounting Plate	98-000054-01	Mounting Stand Base Plate, Small	\$33
User Documentation, Software	37-000010-01	TOOLS DRIVE, User Documentation, Software*	\$30

\* 1 free per order.

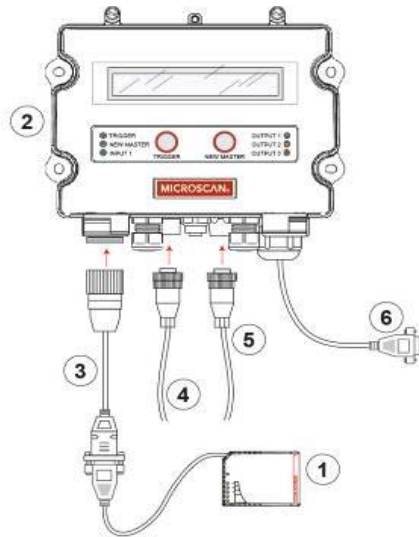


# MICROSCAN.

## Tech Reference MS-9

### Stand Alone

This is the basic setup for a single MS-9 and MS-Connect 210.



### System Matrix

Product	Reference No.	Description	List Price
1	FIS-0911-XXXXG	Scanner Models	Varies
2	FIS-0210-000XG	Connectivity Box *	Varies
3	61-000127-02	Cable, MS-9 to MS-Connect 210, 6 ft	\$110
4	97-100004-15	Power Supply, 90-264 VAC, 24VDC USA /Euro Plug	\$138
5	99-000017-02	Photo Sensor, Visible, NPN, LIGHT ON	\$193
6	61-000105-01	Pre-stripped RS-232, 9-pin host cable **	\$33
User Documentation, Software	37-000010-01	TOOLS DRIVE, User Documentation, Software***	\$30

\* See MS-Connect Series section for a complete listing of Accessories

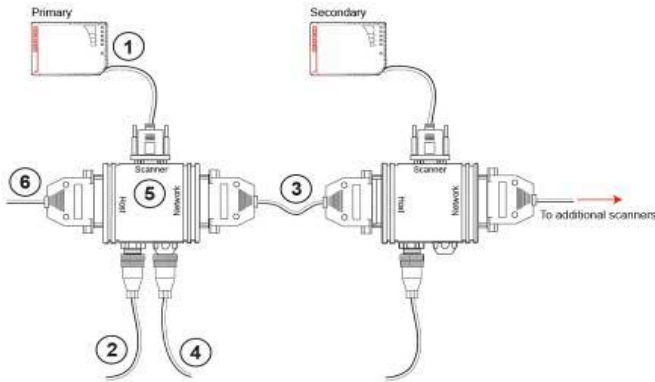
\*\* 1 free host cable is included with each MS-Connect 210

\*\*\* 1 free per order.

# MICROSCAN.

## Tech Reference MS-9 Daisy Chain

A primary scanner is linked directly to the host. Secondary scanners (up to 9) are linked in tandem. Data is sent from the primary scanner directly to the host.



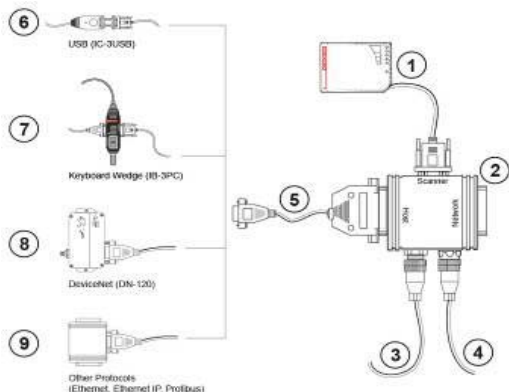
### System Matrix

Product	Reference No.	Description	List Price
1	FIS-0911-XXXXG	Scanner Models	Varies
2	97-100004-15	Power Supply, 90-264 VAC, 24VDC USA /Euro Plug	\$138
3	61-100029-03	Connects the IB-131 to IB-131, 1 ft	\$33
4	99-000017-01	Photo Sensor, Visible, NPN, DARK ON	\$193
5	99-000018-01	Interface Module	\$165
6	61-300026-03	Connects IB-131 to the PC (Host), 6 ft	\$33
Mounting Arm/Adapter Kit	98-000019-01	Adjustable, 6 inch Mounting Arm	\$99
Mounting Plate	98-000054-01	Mounting Stand Base Plate, Small	\$33
User Documentation, Software	37-000010-01	TOOLS DRIVE, User Documentation, Software*	\$30

\* 1 free per order.

## Tech Reference MS-9

### Optional Interface Protocols



### System Matrix

Product	Reference No.	Description	List Price
1	FIS-0911-XXXXG	Scanner Models	Varies
2	99-000018-01	Interface Module	\$165
3	97-100004-15	Power Supply, 90-264 VAC, 24VDC USA /Euro Plug	\$138
4	99-000017-01	Photo Sensor, Visible, NPN, DARK ON	\$193
5	61-300026-03	Connects IB-131 to the PC (Host), 6 ft	\$33
6***	98-000051-01	USB Conversion Kit	\$83
7****	FIS-0001-0030G	Keyboard Wedge PC Interface	\$110
8	20-500013-01	DeviceNet Protocol Box <sup>1</sup>	\$655
9	Third Party	Ask your Microscan sales representative which solution is appropriate for your application.	Varies
Mounting Arm/Adapter Kit	98-000019-01	Adjustable, 6 inch Mounting Arm	\$99
Mounting Plate	98-000054-01	Mounting Stand Base Plate, Small	\$33
User Documentation, Software	37-000010-01	TOOLS DRIVE, User Documentation, Software*	\$30

\* 1 free per order.

\*\*\*Pin Converter is not required for this configuration.

\*\*\*\*Set the IB-3PC to **position 2** in this configuration.

<sup>1</sup> Part is not RoHS compliant.

# MICROSCAN

## QX-830 High Performance Compact Industrial Barcode Reader

### Read Ranges

Narrow Bar	High Density
5 mil (.127 mm)	4.0" to 5.5" (101 to 140 mm)
7.5 mil (.191 mm)	3.5" to 6.75" (89 to 171 mm)
10 mil (.254 mm)	3.25" to 8.0" (82 to 203 mm)
15 mil (.381 mm)	3.25" to 9.0" (82 to 228 mm)
Narrow Bar	Medium Density
7.5 mil (.191 mm)	2.5" to 5.5" (64 to 140 mm)
10 mil (.254 mm)	1.5" to 7.0" (38 to 178 mm)
15 mil (.381 mm)	1.5" to 8.5" (38 to 216 mm)
20 mil (.508 mm)	1.5" to 11" (38 to 280 mm)
	30 mil (.762 mm) 1.0" to 12" (25 to 304 mm)
Narrow Bar	Low Density
7.5 mil (.191 mm)	10" to 12" (254 to 304 mm)
10 mil (.254 mm)	7.0" to 16" (177 to 406 mm)
15 mil (.381 mm)	6.0" to 19" (152 to 483 mm)
20 mil (.508 mm)	5.0" to 22" (127 to 558 mm)
40 mil (1.02 mm)	4.0" to 30" (101 to 762 mm)



**\*\*Important Pricing Discount Note\*\*** Product discounts are applied based on the Product TYPE as indicated in the TYPE column of each price sheet.

Two (2) Product Types are defined as follows: P = PRODUCT Discount or A = ACCESSORY Discount.

Refer to your Partner Agreement for the actual discount percentage by Product Type.

### Scanners

Part Number	Description	List Price	Type
FIS-0830-0001G	QX-830,Industrial Barcode Reader,Single Line,Low Density,Serial	\$1,795	P
FIS-0830-0002G	QX-830,Industrial Barcode Reader,Single Line,Medium Density,Serial	\$1,795	P
FIS-0830-0003G	QX-830,Industrial Barcode Reader,Single Line,High Density,Serial	\$1,795	P
FIS-0830-0004G	QX-830,Industrial Barcode Reader,Raster Line,Low Density,Serial	\$1,795	P
FIS-0830-0005G	QX-830,Industrial Barcode Reader,Raster Line,Medium Density,Serial	\$1,795	P
FIS-0830-0006G	QX-830,Industrial Barcode Reader,Raster Line,High Density,Serial	\$1,795	P
FIS-0830-0010G	QX-830,Industrial Barcode Reader,Raster Line,Low Density,Serial,Plastic Window	\$1,795	P
FIS-0830-1001G	QX-830,Industrial Barcode Reader,Single Line,Low Density,Serial+Ethernet	\$1,995	P
FIS-0830-1002G	QX-830,Industrial Barcode Reader,Single Line,Medium Density,Serial+Ethernet	\$1,995	P
FIS-0830-1003G	QX-830,Industrial Barcode Reader,Single Line,High Density,Serial+Ethernet	\$1,995	P
FIS-0830-1004G	QX-830,Industrial Barcode Reader,Raster Line,Low Density,Serial+Ethernet	\$1,995	P
FIS-0830-1005G	QX-830,Industrial Barcode Reader,Raster Line,Medium Density,Serial+Ethernet	\$1,995	P
FIS-0830-1006G	QX-830,Industrial Barcode Reader,Raster Line,High Density,Serial+Ethernet	\$1,995	P
FIS-0830-1010G	QX-830,Industrial Barcode Raster Line,Low Density,Serial+Ethernet,Plastic Window	\$1,995	P

### Accessories

Part Number	Description	List Price	Type
98-000102-01*	QX-830/QX-870 Demonstration Kit	\$595	A

\* This Demo Kit does not contain a reader and is discounted 25%. The separately purchased reader is discounted 60%.

## QX-830 Industrial Scanner Continued

QX-1 and Cordsets		List Price	Type
Part Number	Description		
98-000103-02	ACCESSORY, QX-1	\$195	A
61-000148-01	QX Cordset,Common,M12 12 Pin,Socket (Ultralock)to M12 12 Pin,Plug(Ultralock),3M	\$80	A
61-000148-02	QX Cordset,Common,M12 12 Pin,Socket(Screw-on) to M12 12 Pin Plug (Screw-on),3M	\$80	A
61-000162-01	QX Cordset,Common,M12 12 Pin,Socket(Ultralock)to M12 12 Pin,Plug (Ultralock),1M	\$80	A
61-000162-02	QX Cordset,Common,M12 12 Pin,Socket (Screw-on) to M12 12 Pin Plug (Screw-on),1M	\$74	A
61-000153-01	QX Cordset,Host,Serial,M12 12 Pin Socket (Ultralock) to DB9 Socket,1M	\$80	A
61-000153-02	QX Cordset,Host,Serial M12 12 pin Socket (Screw-on) to DB9 Socket,1M	\$74	A
61-000164-01	QX Cordset,Host,Serial,M12 12 pin Socket (Ultralock) to DB9 Socket,3M	\$85	A
61-000164-02	QX Cordset,Host,Serial,M12 12 pin Socket (Screw-on) to DB9 Socket,3M	\$80	A
61-000152-01	QX Cordset,Host,Serial M12 12 pin Plug (Ultralock) to DB9 Socket,1M	\$80	A
61-000152-02	QX Cordset,Host,Serial,M12 12 pin Plug (Screw-on) to DB9 Socket,1M	\$74	A
61-000165-01	QX Cordset,Host,Serial M12 12 pin Plug (Ultralock) to DB9 Socket,3M	\$85	A
61-000165-02	QX Cordset,Host,Serial M12 12 pin Plug (Screw-on) to DB9 Socket,3M	\$85	A
61-000163-01	QX Cordset,Host,Ethernet,M12 8 pin Plug (Ultralock) to RJ45,3M	\$85	A
61-000163-02	QX Cordset,Host,Ethernet,M12 8 pin Plug (Screw-on) to RJ45,3M	\$85	A
61-000160-01	QX Cordset,Host,Ethernet,M12 8 pin Plug (Ultralock) to RJ45,1M	\$80	A
61-000160-02	QX Cordset,Host,Ethernet,M12 8 pin Plug (Screw-on) to RJ45,1M	\$74	A
61-000161-01	QX Cordset,M12 12 pin Plug (Ultralock) to MS-5100,3M	\$85	A
61-000161-02	QX Cordset,M12 12 pin Plug (Screw-on) to MS-5100,3M	\$80	A
61-000172-01	QX Cordset,M12 12 pin Plug(Ultralock)to M12 12 pin Socket(Ultralock)to DB25 Plug	\$285	A
61-000158-03	QX Cordset, M12 12pin Plug & M12 12pin Socket to MS-Connect 210 (RS-232), 2m	\$248	A
61-000158-04	QX Cordset, M12 12pin Plug & M12 12pin Socket to MS-Connect 210 (RS-422), 2m	\$225	A
61-000166-01	QX Cordset,M12 12 Pin Plug (Ultralock) to Flying Leads,3M	\$85	A
61-000166-02	QX Cordset,M12 12 Pin Plug(Screw-on) to Flying Leads,3M	\$80	A
61-000167-01	QX Cordset,M12 12 Pin Socket (Ultralock) to Flying Leads,3M	\$85	A
61-000167-02	QX Cordset,M12 12 Pin Socket(Screw-on) to Flying Leads,3M	\$80	A
61-000159-03*	QX Cordset, M12 Pin Socket to IB-131, RS-232, 2M	\$120	A
61-000159-04**	QX Cordset, M12, Pin Socket to IB-131, RS-232 / RS-485, 2M	\$120	A
FIS-0210-0001G	MS-Connect 210,Connectivity Box with Display	\$849	A
FIS-0210-0002G	MS-Connect 210,Connectivity Box	\$549	A
FIS-0210-0003G	MS-Connect 210,Connectivity Box with Display and Ethernet	\$949	A
FIS-0210-0004G	MS-Connect 210,Connectivity Box with Ethernet	\$849	A
98-000013-04	Relay Module,120VAC,3 Amp Output,Series 70,Type SM,for MS-Connect 210 + MS-890	\$52	A
98-000013-05	Relay Module,240VAC,3 Amp Output,Series 70,Type SM for MS-Connect 210 + MS-890	\$52	A
98-000013-06	Relay Module, 24VDC, 3 Amp Output, Series 70, Type SM for MS-Connect 210	\$52	A

\*Use this cable for MS-820 to QX-830 Transition, RS-232

\*\*Use this cable for MS-820 to QX-830 Transition, RS-422 / 485

# MICROSCAN

## QX-830 Industrial Scanner Continued

### Power Supplies

Part Number	Description	List Price	Type
97-000003-01	QX Power Supply, 24V, M12 12 pin Socket, 1.3m cable, USA /Euro Plug	\$121	A
97-000003-02	QX Power Supply, 24V, M12 12 pin Plug, 1.3m cable, USA /Euro Plug	\$121	A

### Package Detector/Sensor

Part Number	Description	List Price	Type
99-000020-02	QX Photo sensor, M12 4pin Plug, NPN, Dark On, 2m	\$193	A
99-000020-01	QX Photo sensor, M12 4pin Plug, NPN, Dark Off, 2m	\$193	A

### Mounting and Connectors

Part Number	Description	List Price	Type
98-500006-01*	KIT, MTG PLATE, MS-710	\$22	A
98-200026-02	Kit, Right Angle Bracket, MS-820 / 825	\$83	A
61-000166-01	QX Cordset,M12 12 Pin Plug (Ultralock) to Flying Leads,3M	\$85	A
61-000167-01	QX Cordset,M12 12 Pin Socket (Ultralock) to Flying Leads,3M	\$85	A
20-610024-01	Trigger Conn,4pin Plug (screw term and field wireable for custom wiring IB-131)	\$33	A
98-000016-01	Kit, Mounting Arm/Adapter, MS-820/QX-830/QX-870, 6 inch	\$99	A
98-000037-01	KIT, EXTENSION, ALL SCANNERS, 6 INCH	\$61	A
98-000054-01	KIT,MOUNTING STAND BASE PLATE,MS-3	\$33	A
98-000148-01	KIT, L BRACKET, QX SERIES	\$45	A

\* Though-hole mounting plate; not for use with mounting arm.

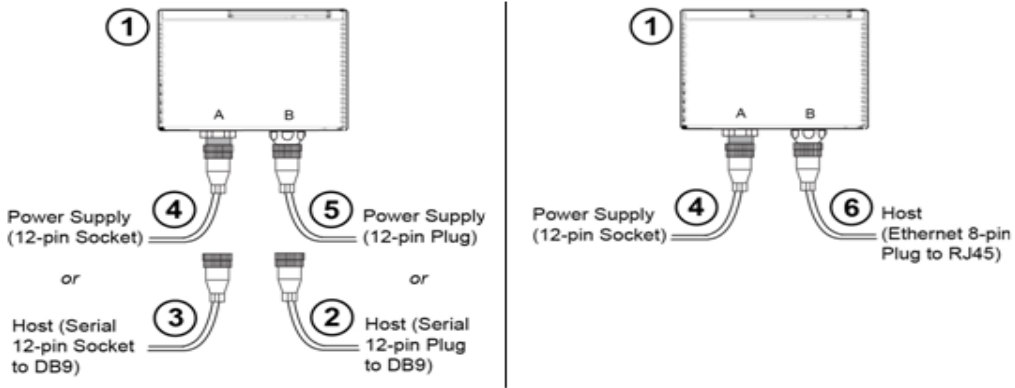
### Software/Manuals

Part Number	Description	List Price	Type
37-000010-01*	TOOLS DRIVE, User Documentation, Software	\$30	A

\* 1 free per order.

## Tech Reference QX-830

### Stand Alone Configurations

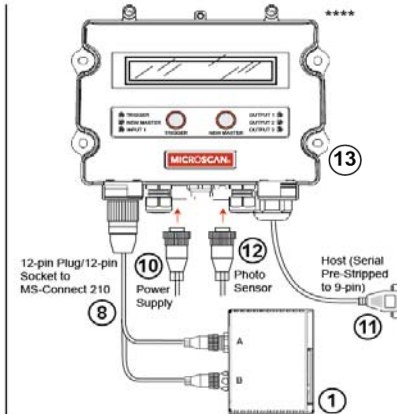
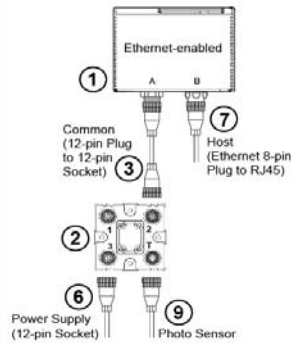
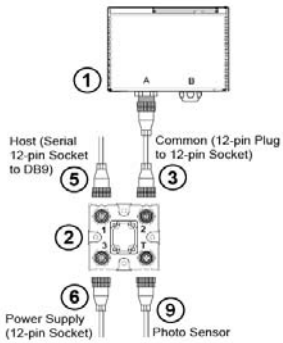


Item	Part Number	Description	List Price
1	FIS-0830-XXXXG	QX-830 Compact Industrial Scanner	Varies
2	61-000152-01	QX Cordset, Host, Serial, M12 12-pin Plug to DB9, 1m *	\$80
3	61-000153-01	QX Cordset, Host, Serial, M12 12-pin Socket to DB9, 1m *	\$80
4	97-000003-01	QX Power Supply, M12 12-pin Socket, 1.3m	\$121
5	97-000003-02	QX Power Supply, M12 12-pin Plug, 1.3m	\$121
6	61-000160-01	QX Cordset, Host, Ethernet, M12 8-pin Plug to RJ45, 1m *	\$80
	98-000016-01	Adjustable, 6 inch Mounting Arm	\$99
	98-000054-01	Mounting Stand Base Plate, Small	\$33
	37-000010-01	TOOLS DRIVE, User Documentation, Software**	\$30

\* Cordsets available in multiple lengths

\*\* One free per order.

## Tech Reference QX-830



Item	Part Number	Description	List Price
1	FIS-0830-XXXXG	QX-830 Compact Industrial Scanner	Varies
2	98-000103-02	QX-1 Interface Device	\$195
3	61-000162-01	QX Cordset, Common, M12 12-pin Plug to M12 12-pin Socket, 1m *	\$80
4	61-000152-01	QX Cordset, Host, Serial, M12 12-pin Plug to DB9, 1m *	\$80
5	61-000153-01	QX Cordset, Host, Serial, M12 12-pin Socket to DB9, 1m *	\$80
6	97-000003-01	QX Power Supply, M12 12-pin Socket, 1.3m	\$121
7	61-000160-01	QX Cordset, Host, Ethernet, M12 8-pin Plug to RJ45, 1m *	\$80
8	61-000158-03	QX Cordset, M12 12-pin Plug & M12 12-pin Socket to MS-Connect 210, (RS-232), 2m	\$248
9	99-000020-02	QX Photo Sensor, M12 4-pin Plug, NPN, Dark On, 2m	\$193
10	97-100004-15	Power Supply, 90-264 VAC, 24VDC USA /Euro Plug	\$138
11	61-000105-01	Pre-stripped RS-232, 9-pin host cable	\$33
12	99-000017-01	Photo Sensor, Visible, NPN, DARK ON	\$193
13	FIS-0210-000XG	Connectivity Box ****	Varies
	98-000016-01	Adjustable, 6 inch Mounting Arm Kit	\$99
	98-000054-01	Mounting Stand Base Plate, Small	\$33
	37-000010-01	TOOLS DRIVE, User Documentation, Software**	\$30

\* Cordsets available in multiple lengths

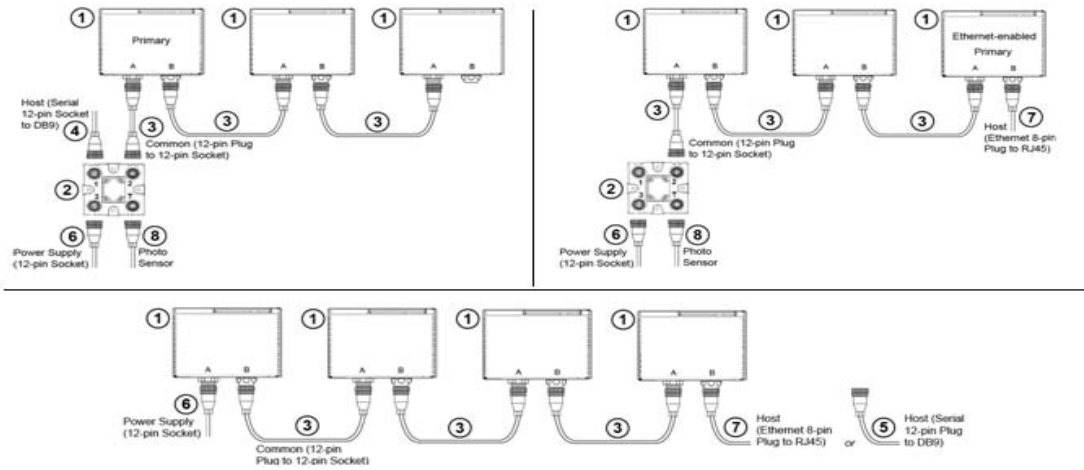
\*\* One free per order.

\*\*\*\* Refer to MS-Connection section for complete listing of MS-Connection 210 options



**Tech Reference QX-830**

**Daisy Chain Configurations**



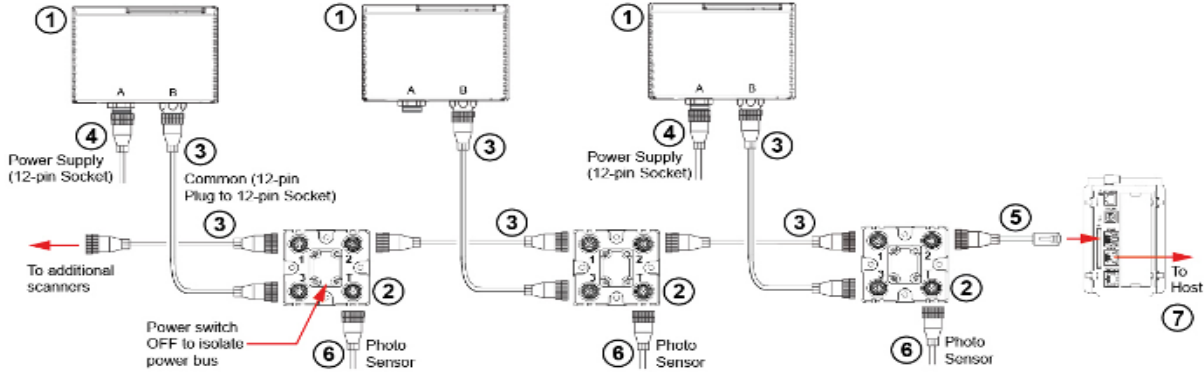
Item	Part Number	Description	List Price
1	FIS-0830-XXXXG	QX-830 Compact Industrial Scanner	Varies
2	98-000103-02	QX-1 Interface Device	\$195
3	61-000162-01	QX Cordset, Common, M12 12-pin Plug to M12 12-pin Socket, 1m *	\$80
4	61-000153-01	QX Cordset, Host, Serial, M12 12-pin Socket to DB9, 1m *	\$80
5	61-000152-01	QX Cordset, Host Serial, M12 12-pin Plug to DB9, 1m *	\$80
6	97-000003-01	QX Power Supply, M12 12-pin Socket, 1.3m	\$121
7	61-000160-01	QX Cordset, Host, Ethernet, M12 8-pin Plug to RJ45, 1m *	\$80
8	99-000020-02	QX Photo Sensor, M12 4-pin Plug, NPN, Dark On, 2m	\$193
	98-000016-01	Adjustable, 6 inch Mounting Arm Kit	\$99
	98-000054-01	Mounting Stand Base Plate, Small	\$33
	37-000010-01	TOOLS DRIVE, User Documentation, Software**	\$30

\* Cordsets available in multiple lengths

\*\* One free per order.

## Tech Reference QX-830

### Multidrop Configuration



All Trigger Switched must be off.

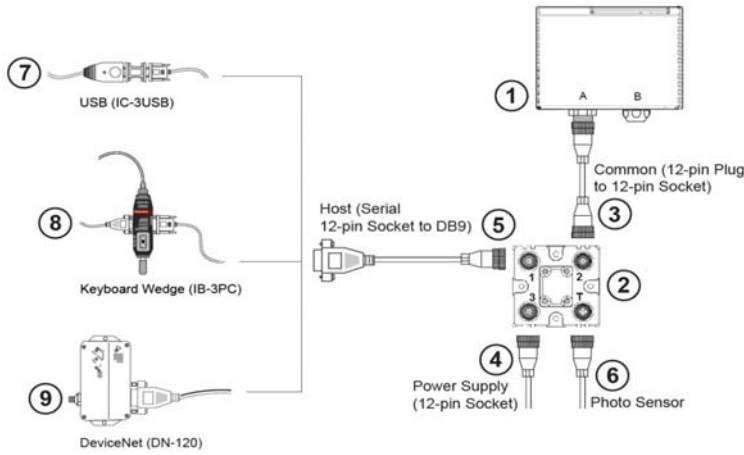
Item	Part Number	Description	List Price
1	FIS-0830-XXXXG	QX-830 Compact Industrial Scanner	Varies
2	98-000103-02	QX-1 Interface Device	\$195
3	61-000162-01*	QX Cordset, Common, M12 12-pin Plug to M12 12-pin Socket, 1m *	\$80
4	97-000003-01	QX Power Supply, M12 12-pin Socket, 1.3m	\$121
5	61-000161-01	QX Cordset, M12 12-pin Plug to MS-Connect 5100, 3m	\$85
6	99-000020-02	QX Photo Sensor, M12 4-pin Plug, NPN, Dark On, 2m	\$193
7	See page 102 for MS-Connect 5100 to host communication options		Varies
	98-000016-01	Adjustable, 6 inch Mounting Arm Kit	\$99
	98-000054-01	Mounting Stand Base Plate, Small	33
	37-000010-01**	TOOLS DRIVE, User Documentation, Software**	\$30

\* Cordsets available in multiple lengths. See Accessories section for additional detail.

\*\* One free per order.

## Tech Reference QX-830

### Optional Interface Protocols



Item	Part Number	Description	List Price
1	FIS-0830-XXXXG	QX-830 Compact Industrial Scanner	Varies
2	98-000103-02	QX-1 Interface Device	\$195
3	61-000162-01	QX Cordset, Common, M12 12-pin Plug to M12 12-pin Socket, 1m *	\$80
4	97-000003-01	QX Power Supply, M12 12-pin Socket, 1.3m	\$121
5	61-000153-01	QX Cordset, Host, Serial, M12 12-pin Socket to DB9, 1m *	\$80
6	99-000020-02	QX Photo Sensor, M12 4-pin Plug, NPN, Dark On, 2m	\$193
7	98-000051-01	IC3-USB, USB Conversion Kit	\$83
8	FIS-0001-0030G	Keyboard Wedge PC Interface	\$110
9	20-500013-01	DeviceNet Protocol Box <sup>1</sup>	\$655
	98-000016-01	Adjustable, 6 inch Mounting Arm Kit	\$99
	98-000054-01	Mounting Stand Base Plate, Small	\$33
	37-000010-01	TOOLS DRIVE, User Documentation, Software**	\$30

\* Cordsets available in multiple lengths. See Accessories section for additional detail.

\*\* One free per order.

<sup>1</sup> Part is not RoHS compliant part

# MICROSCAN.

## QX-870 High Performance Industrial Sweeping Raster Barcode Reader

Read Ranges	
Narrow Bar	High Density
5 mil (.127 mm)	4" to 5" (102 to 127 mm)
7.5 mil (.191 mm)	3.5" to 6.75" (89 to 171 mm)
10 mil (.254 mm)	3.25" to 8" (82 to 203 mm)
15 mil (.381 mm)	3.25" to 9" (82 to 228 mm)
Medium Density	
7.5 mil (.191 mm)	2.5" to 5.5" (64 to 140 mm)
10 mil (.254 mm)	1.5" to 7" (38 to 178 mm)
15 mil (.381 mm)	1.5" to 8.5" (38 to 216 mm)
30 mil (.762 mm)	1" to 12" (25 to 304 mm)
Low Density	
7.5 mil (.191 mm)	10" to 12" (254 to 305 mm)
10 mil (.254 mm)	7" to 16" (178 to 406 mm)
15 mil (.381 mm)	6" to 19" (152 to 483 mm)
20 mil (.508 mm)	5" to 22" (127 to 558 mm)
40 mil (1.02 mm)	4" to 30" (102 to 762 mm)



**\*\*Important Pricing Discount Note\*\*** Product discounts are applied based on the Product TYPE as indicated in the TYPE column of each price sheet.

Two (2) Product Types are defined as follows: P = PRODUCT Discount or A = ACCESSORY Discount.

Refer to your Partner Agreement for the actual discount percentage by Product Type.

Barcode Readers			
Part Number	Description	List Price	Type
FIS-0870-0004G	QX-870,Industrial Barcode Reader,Low Density,Sweeping Raster,Serial	\$2,725	P
FIS-0870-0005G	QX-870,Industrial Barcode Reader,Medium Density,Sweeping Raster,Serial	\$2,725	P
FIS-0870-0006G	QX-870,Industrial Barcode Reader,High Density,Sweeping Raster,Serial	\$2,725	P
FIS-0870-0007G	QX-870,Industrial Barcode Rdr,Plastic Window,Low Density,Sweeping Raster,Serial	\$2,975	P
FIS-0870-1004G	QX-870,Industrial Barcode Reader,Low Density,Sweeping Raster,Serial+Ethernet	\$2,935	P
FIS-0870-1005G	QX-870,Industrial Barcode Reader,Medium Density,Sweeping Raster,Serial+Ethernet	\$2,935	P
FIS-0870-1006G	QX-870,Industrial Barcode Reader,High Density,Sweeping Raster,Serial+Ethernet	\$2,935	P

QX-1 and Cordsets			
Part Number	Description	List Price	Type
98-000103-02	ACCESSORY, QX-1	\$195	A
61-000148-01	QX Cordset,Common,M12 12 Pin,Socket (Ultralock)to M12 12 Pin,Plug(Ultralock),3M	\$80	A
61-000148-02	QX Cordset,Common,M12 12 Pin,Socket(Screw-on) to M12 12 Pin Plug (Screw-on),3M	\$80	A
61-000162-01	QX Cordset,Common,M12 12 Pin,Socket(Ultralock)to M12 12 Pin,Plug (Ultralock),1M	\$80	A
61-000162-02	QX Cordset,Common,M12 12 Pin,Socket (Screw-on) to M12 12 Pin Plug (Screw-on),1M	\$74	A
61-000153-01	QX Cordset,Host,Serial,M12 12 Pin Socket (Ultralock) to DB9 Socket,1M	\$80	A
61-000153-02	QX Cordset,Host,Serial M12 12 pin Socket (Screw-on) to DB9 Socket,1M	\$74	A
61-000164-01	QX Cordset,Host,Serial,M12 12 pin Socket (Ultralock) to DB9 Socket,3M	\$85	A
61-000164-02	QX Cordset,Host,Serial,M12 12 pin Socket (Screw-on) to DB9 Socket,3M	\$80	A
61-000152-01	QX Cordset,Host,Serial M12 12 pin Plug (Ultralock) to DB9 Socket,1M	\$80	A
61-000152-02	QX Cordset,Host,Serial,M12 12 pin Plug (Screw-on) to DB9 Socket,1M	\$74	A
61-000165-01	QX Cordset,Host,Serial M12 12 pin Plug (Ultralock) to DB9 Socket,3M	\$85	A
61-000165-02	QX Cordset,Host,Serial M12 12 pin Plug (Screw-on) to DB9 Socket,3M	\$85	A
61-000163-01	QX Cordset,Host,Ethernet,M12 8 pin Plug (Ultralock) to RJ45,3M	\$85	A
61-000163-02	QX Cordset,Host,Ethernet,M12 8 pin Plug (Screw-on) to RJ45,3M	\$85	A
61-000160-01	QX Cordset,Host,Ethernet,M12 8 pin Plug (Ultralock) to RJ45,1M	\$80	A
61-000160-02	QX Cordset,Host,Ethernet,M12 8 pin Plug (Screw-on) to RJ45,1M	\$74	A
61-000161-01	QX Cordset,M12 12 pin Plug (Ultralock) to MS-5100,3M	\$85	A
61-000161-02	QX Cordset,M12 12 pin Plug (Screw-on) to MS-5100,3M	\$80	A
61-000172-01	QX Cordset,M12 12 pin Plug(Ultralock)to M12 12 pin Socket(Ultralock)to DB25 Plug	\$285	A
61-000158-03	QX Cordset, M12 12pin Plug & M12 12pin Socket to MS-Connect 210 (RS-232), 2m	\$248	A
61-000158-04	QX Cordset, M12 12pin Plug & M12 12pin Socket to MS-Connect 210 (RS-422), 2m	\$225	A
61-000166-01	QX Cordset,M12 12 Pin Plug (Ultralock) to Flying Leads,3M	\$85	A
61-000166-02	QX Cordset,M12 12 Pin Plug(Screw-on) to Flying Leads,3M	\$80	A
61-000167-01	QX Cordset,M12 12 Pin Socket (Ultralock) to Flying Leads,3M	\$85	A
61-000167-02	QX Cordset,M12 12 Pin Socket(Screw-on) to Flying Leads,3M	\$80	A
FIS-0210-0001G	MS-Connect 210,Connectivity Box with Display	\$849	A
FIS-0210-0002G	MS-Connect 210,Connectivity Box	\$549	A
FIS-0210-0003G	MS-Connect 210,Connectivity Box with Display and Ethernet	\$949	A
FIS-0210-0004G	MS-Connect 210,Connectivity Box with Ethernet	\$849	A
98-000013-04	Relay Module,120VAC,3 Amp Output,Series 70,Type SM,for MS-Connect 210 + MS-890	\$52	A
98-000013-05	Relay Module,240VAC,3 Amp Output,Series 70,Type SM for MS-Connect 210 + MS-890	\$52	A
98-000013-06	Relay Module, 24VDC, 3 Amp Output, Series 70, Type SM for MS-Connect 210	\$52	A

# MICROSCAN.

## QX-870 Industrial Scanner Accessories (Similar to QX-830)

### Accessories

Part Number	Description	List Price	Type
98-000102-01*	QX-830/QX-870 Demonstration Kit	\$595	A

\* This Demo Kit does not contain a reader and is discounted 25%. The separately purchased reader is discounted 60%.

### Power Supplies

Part Number	Description	List Price	Type
97-000003-01	QX Power Supply, 24V, M12 12 pin Socket, 1.3m cable, USA /Euro Plug	\$121	A
97-000003-02	QX Power Supply, 24V, M12 12 pin Plug, 1.3m cable, USA /Euro Plug	\$121	A

### Package Detector/Sensor

Part Number	Description	List Price	Type
99-000020-02	QX Photo sensor, M12 4pin Plug, NPN, Dark On, 2m	\$193	A
99-000020-01	QX Photo sensor, M12 4pin Plug, NPN, Dark Off, 2m	\$193	A

### Mounting and Connectors

Part Number	Description	List Price	Type
98-500006-01*	KIT, MTG PLATE, MS-710	\$22	A
20-610024-01	Trigger Conn,4pin Plug (screw term and field wireable for custom wiring IB-131)	\$33	A
61-000166-01	QX Cordset,M12 12 Pin Plug (Ultralock) to Flying Leads,3M	\$85	A
61-000167-01	QX Cordset,M12 12 Pin Socket (Ultralock) to Flying Leads,3M	\$85	A
98-000016-01	Kit, Mounting Arm/Adapter, MS-820/QX-830/QX-870, 6 inch	\$99	A
98-000037-01	KIT, EXTENSION, ALL SCANNERS, 6 INCH	\$61	A
98-000054-01	KIT,MOUNTING STAND BASE PLATE,MS-3	\$33	A
98-000148-01	KIT, L BRACKET, QX SERIES	\$45	A

\* Though-hole mounting plate; not for use with mounting arm.

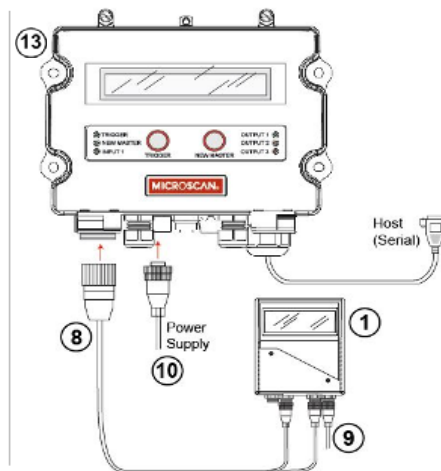
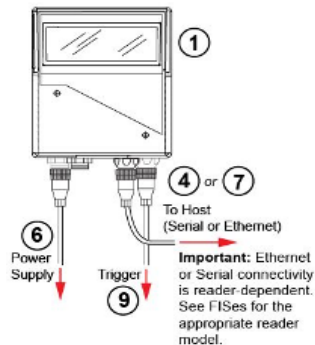
### Software/Manuals

Part Number	Description	List Price	Type
37-000010-01*	TOOLS DRIVE, User Documentation, Software*	\$30	A

\* 1 free per order.

## Tech Reference QX-870

### Stand Alone Configurations



Item	Part Number	Description	List Price
1	FIS-0870-XXXXG	QX-870 Industrial Raster Barcode Reader	Varies
4	61-000152-01	QX Cordset, Host, Serial, M12 12-pin Plug to DB9, 1m *	\$80
6	97-000003-01	QX Power Supply, M12 12-pin Socket, 1.3m	\$121
7	61-000160-01	QX Cordset, Host, Ethernet, M12 8-pin Plug to RJ45, 1m *	\$80
8	61-000158-03	QX Cordset, M12 12-pin Plug & M12 12-pin Socket to MS-Connect 210, (RS-232), 2m	\$248
9	99-000020-02	Photo Sensor PNP***	\$193
10	97-100004-15	Power Supply, 90-264 VAC, 24VDC USA /Euro Plug	\$138
13	FIS-0210-000XG	Connectivity Box ****	Varies
	98-000016-01	Adjustable, 6 inch Mounting Arm Kit	\$99
	98-000054-01	Mounting Stand Base Plate, Small	\$33
	37-000010-01	TOOLS DRIVE, User Documentation, Software**	\$30

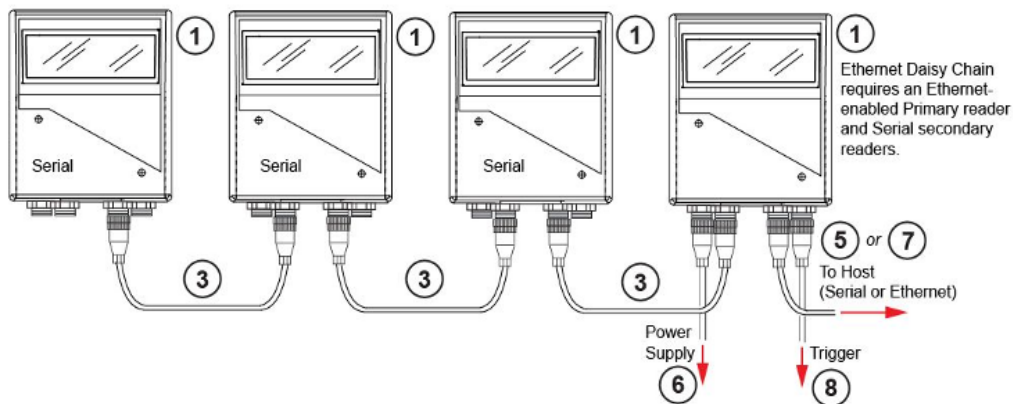
\* Cordsets available in multiple lengths

\*\* One free per order.

\*\*\*QX-870 with MS-Connect 210 requires a PNP photo sensor such as IDEX SA1E-NP1 (LO) and -NP2 (DO)

\*\*\*\* Refer to MS-Connection section for complete listing of MS-Connection 210 options

## Tech Reference QX-870



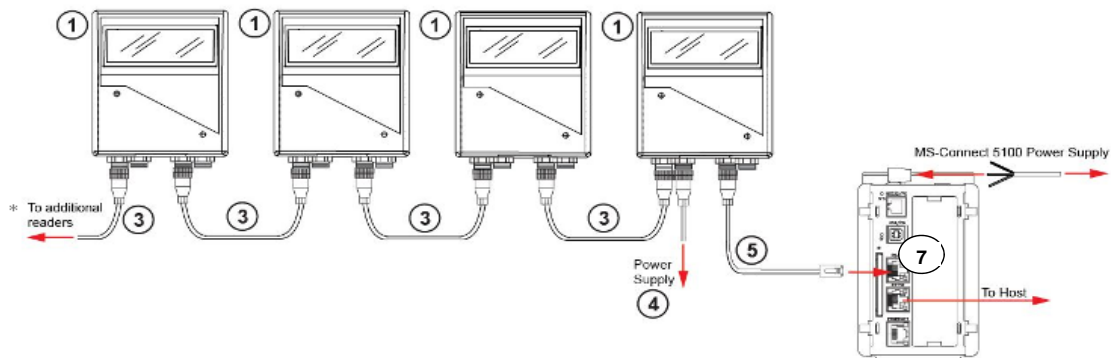
Please also Reference QX-830 section for alternative Daisy Chain configurations

Item	Part Number	Description	List Price
1	FIS-0870-XXXXG	QX-870 Industrial Raster Barcode Reader	Varies
2	98-000103-02	QX-1 Interface Device	\$195
3	61-000162-01	QX Cordset, Common, M12 12-pin Plug to M12 12-pin Socket, 1m *	\$80
4	61-000153-01	QX Cordset, Host, Serial, M12 12-pin Socket to DB9, 1m *	\$80
5	61-000152-01	QX Cordset, Host Serial, M12 12-pin Plug to DB9, 1m *	\$80
6	97-000003-01	QX Power Supply, M12 12-pin Socket, 1.3m	\$121
7	61-000160-01	QX Cordset, Host, Ethernet, M12 8-pin Plug to RJ45, 1m *	\$80
8	99-000020-02	QX Photo Sensor, M12 4-pin Plug, NPN, Dark On, 2m	\$193
	98-000016-01	Adjustable, 6 inch Mounting Arm Kit	\$99
	98-000054-01	Mounting Stand Base Plate, Small	\$33
	37-000010-01	TOOLS DRIVE, User Documentation, Software**	\$30

\* Cordsets available in multiple lengths

\*\* One free per order.

### Multidrop Configuration



\* QX-1 required when powering more than 4 readers from a single power supply

Item	Part Number	Description	List Price
1	FIS-0870-XXXXG	QX-870 Industrial Raster Barcode Reader	Varies
2	98-000103-02	QX-1 Interface Device	\$195
3	61-000162-01*	QX Cordset, Common, M12 12-pin Plug to M12 12-pin Socket, 1m *	\$80
4	97-000003-01	QX Power Supply, M12 12-pin Socket, 1.3m	\$121
5	61-000161-01	QX Cordset, M12 12-pin Plug to MS-Connect 5100, 3m	\$85
6	99-000020-02	QX Photo Sensor, M12 4-pin Plug, NPN, Dark On, 2m	\$193
7		See MS-Connect 5100 section for detailed options	Varies
	98-000016-01	Adjustable, 6 inch Mounting Arm Kit	\$99
			\$33
	98-000054-01	Mounting Stand Base Plate, Small	
	37-000010-01**	TOOLS DRIVE, User Documentation, Software**	\$30

\* Cordsets available in multiple lengths. See Accessories section for additional detail.

\*\* One free per order.



# MICROSCAN.

## MS-890 Industrial Barcode Reader

### Read Ranges

Narrow Bar	
7.5 mil (.191 mm)	10" to 35" (254 to 889 mm)
15 mil (.381 mm)	10" to 74" (254 to 1880 mm)
20 mil (.508 mm)	10" to 90" (254 to 2286 mm)
30 mil (.762 mm)	10" to 100" (254 to 2540 mm)
40 mil (1.02 mm)	10" to 110" (254 to 2794 mm)
50 mil (1.27 mm)	10" to 120" (254 to 2048 mm)



**\*\*Important Pricing Discount Note\*\*** Product discounts are applied based on the Product TYPE as indicated in the TYPE column of each price sheet.

Two (2) Product Types are defined as follows: P = PRODUCT Discount or A = ACCESSORY Discount.

Refer to your Partner Agreement for the actual discount percentage by Product Type.

### MS-890 Industrial Scanners

Part Number	Description	List Price	Type
FIS-0890-0001G	MS-890 Barcode Reader, Long Range, Stand Alone Version, RS-232/485, 10-28 VDC	\$5,150	P
FIS-0890-0002G	MS-890 Barcode Reader, Long Range, Wiring Box Ready, RS-232/485, 10-28 VDC	\$5,150	P

### Wiring Box

Part Number	Description	List Price	Type
99-420003-04	ACCESSORY, WIRING 1PC BOX, IB-890, ETHERNET	\$330	A
98-000013-04	Relay Module, 120VAC, 3 Amp Output, Series 70, Type SM, for MS-Connect 210 + MS-890	\$52	A
98-000013-05	Relay Module, 240VAC, 3 Amp Output, Series 70, Type SM for MS-Connect 210 + MS-890	\$52	A
98-000013-06	Relay Module, 24VDC, 3 Amp Output, Series 70, Type SM for MS-Connect 210	\$52	A
12-000130-01*	Cable Grommet (sealed strain relief wire clamp)	\$15	A

1 Included with 99-420003-04

# MICROSCAN.

## MS-890 Industrial Barcode Reader Continued

### Accessories

Part Number	Description	List Price	Type
FIS-0210-0001G	MS-Connect 210,Connectivity Box with Display	\$849	A
FIS-0210-0002G	MS-Connect 210,Connectivity Box	\$549	A
FIS-0210-0003G	MS-Connect 210,Connectivity Box with Display and Ethernet	\$949	A
FIS-0210-0004G	MS-Connect 210,Connectivity Box with Ethernet	\$849	A
98-000013-04	Relay Module,120VAC,3 Amp Output,Series 70,Type SM,for MS-Connect 210 + MS-890	\$52	A
98-000013-05	Relay Module,240VAC,3 Amp Output,Series 70,Type SM for MS-Connect 210 + MS-890	\$52	A
98-000013-06	Relay Module, 24VDC, 3 Amp Output, Series 70, Type SM for MS-Connect 210	\$52	A
61-000122-01	Cable, To MS-Connect 210, Host RS-422/485 for Multidrop, 6 ft	\$110	A
61-000123-01	Cable, To MS-Connect 210, Host/AUX RS-232, for Daisy Chain 210 to 210, 6 ft	\$110	A
FIS-0001-0030G	IB-3PC Keyboard Wedge/Interface Box	\$110	A
98-000039-02	KIT, IB-152	\$138	A
98-000040-02	Cable, Interface and reader, 6 ft, IB-150	\$193	A
98-000051-01	Kit, Conversion, IC-3USB, USB	\$83	A
61-000034-02	Cable, Comm/Serial , 25pin Socket to 9pin Socket, 6 ft	\$30	A
61-100029-03	Cable, Daisy Chain, IB-131	\$33	A
61-000010-02	Cable, Communication, DB-9 Socket to DB-9 Socket, 6 ft	\$33	A
98-000011-01	MS-890 Glass Window Replacement Kit	\$88	A
98-000011-02	MS-890 Plastic Window Replacement Kit	\$143	A
61-000154-01	Adapter, Daisy Chain	\$83	A
98-000090-03*	Demo Kit, MS-890	\$595	A

\* This Demo Kit does not contain a reader and is discounted 25%. The separately purchased reader is discounted 60%.

### Power Supply

Part Number	Description	List Price	Type
97-100004-15	Power Supply, 90-264 VAC,+24VDC USA /Euro Plug (only for IC-332 or connect 210)	\$138	A

### Mounting and Connectors

Part Number	Description	List Price	Type
98-000017-01	KIT,MOUNTING STAND,IB-890/IB890,6"	\$99	A
98-000018-01	Mounting Arm/Adapter kit, MS-890, 6 inch	\$99	A
98-000046-01	Kit, Base Plate	\$44	A
98-200037-01	Standard Flat Mounting Plate Kit, MS-890, Custom Surfaces	\$44	A
20-610024-01	Trigger Connector, 4-pin Plug (screw terminal and field wireable) (for self wiring)	\$33	A
20-610020-01	Power Connector, 3-pin Socket (screw terminal and field wireable) (for self wiring)	\$33	A

### Package Detector/Sensor

Part Number	Description	List Price	Type
99-000004-01	Package Detector, Standard Diffuse, 120 inch Range, 4-pin Plug	\$248	A
99-000004-02	Package Detector, Standard Diffuse, 120 inch Range, Untermated	\$248	A
99-000017-01	Photo Sensor, Visible, NPN, DARK ON	\$193	A
99-000017-02	Photo Sensor, Visible, NPN, LIGHT ON	\$193	A

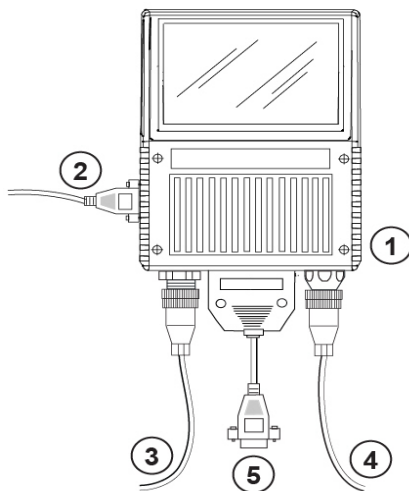
### Software / Manuals

Part Number	Description	List Price	Type
37-000010-01*	TOOLS DRIVE, User Documentation, Software	\$30	A

\*One free per order

### Stand Alone

This is the basic setup for a single MS-890.



#### System Matrix

Product	Reference No.	Description	List Price
1	FIS-0890-0001G	Scanner, Industrial, Long Range	Varies
2	61-000010-02	Serial, 9-pin, D-Sub, Socket to 9-pin, D-Sub, Socket, 6 ft	\$33
3	97-100004-15	Power Supply, 90-264 VAC, 24VDC, USA /Euro Plug	\$138
4	99-000004-01	Package Detector, Standard Diffuse, 120 inch Range, 4-pin Plug	\$248
5	61-000034-02	Cable, 25 Pin D-sub, Socket to 9 Pin D-sub, Socket, 6 ft	\$33
Mounting Arm Kit	98-000018-01	Mounting Arm/Adapter Kit, MS-890	\$99
Mounting Plate	98-000046-01	Mounting Stand Base Plate	\$44
User Documentation, Software	37-000010-01	TOOLS DRIVE, User Documentation, Software*	\$30

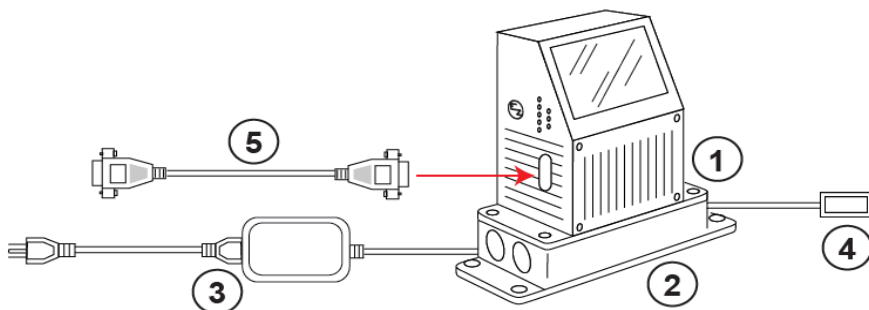
\* 1 free per order.

## Tech Reference *MS-890*

### Stand Alone

with Wiring Box

This is the basic setup for a single MS-890 with IB-890 Wiring Box.



### System Matrix

Product	Reference No.	Description	List Price
1	FIS-0890-0002G	Scanner, Industrial, Wiring Box-Ready	Varies
2	99-420003-04	Wiring Box Base, IB-890/FIS-0890-0002	330
3***	97-100004-15	Power Supply, 90-264 VAC, 24VDC, USA /Euro Plug	138
4	99-000004-02	Package Detector, Standard Diffuse, 120 inch Range, Unterminated	248
5	61-000010-02	Serial, 9 pin, D-Sub, Socket to 9 pin, D-Sub, Socket	33
Mounting Arm/Adapter Kit	98-000017-01	6 inch Adjustable Mounting Arm Kit, IB-890/FIS-0880-0002	99
Mounting Plate	98-000046-01	Mounting Stand Base Plate	\$44
User Documentation, Software	37-000010-01	TOOLS DRIVE, User Documentation, Software*	\$30

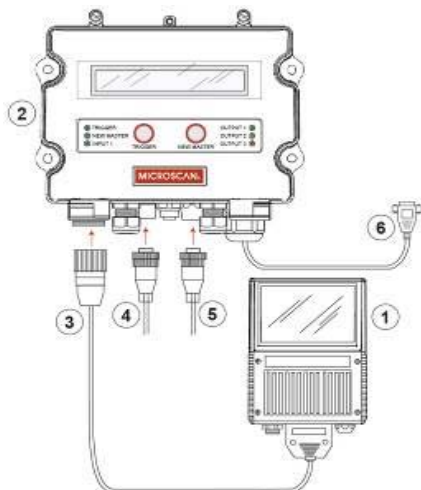
\* 1 free per order.

\*\*\* Remove connectors before installation.

## Tech Reference *MS-890*

### Stand Alone with MS-Connect 210

This is the basic setup for a single MS-890 and MS-Connect 210.



### System Matrix

Product	Reference No.	Description	List Price
1	FIS-0890-0001G	Scanner, Industrial, Long Range	Varies
2	FIS-0210-000XG*	Connectivity Box	Varies
3	61-000122-01†	Cable, MS-890 to MS-Connect 210, Host RS-422/485, 6ft	\$110
	61-000123-01†	Cable, To MS-Connect 210, Host/AUX RS-232, 6 ft	\$110
4	97-100004-15	Power Supply, 90-264 VAC, 24VDC USA /Euro Plug	\$138
5	99-000017-02	Photo Sensor, Visible, NPN, LIGHT ON	\$193
6	61-000105-01**	Pre-stripped RS-232, 9-pin host cable	\$33
User Documentation, Software	37-000010-01	TOOLS DRIVE, User Documentation, Software***	\$30

\* See MS-Connect Series section for a complete listing of Accessories

\*\* 1 free host cable is included with each MS-Connect 210

\*\*\* 1 free per order.

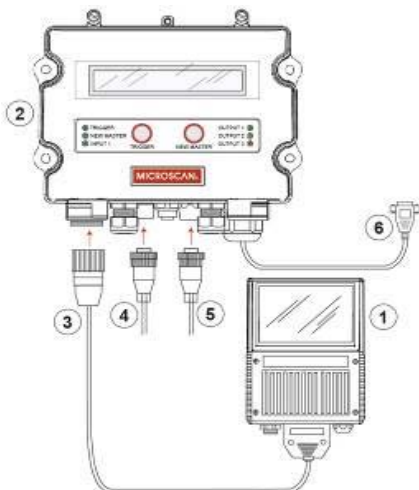
† Choose one cable.

## Tech Reference *MS-890*

### Stand Alone

with MS-Connect 210 with Ethernet

This is the basic setup for a single MS-890 and MS-Connect 210 with Ethernet



### System Matrix

Product	Reference No.	Description	List Price
1	FIS-0890-0001G	Scanner, Industrial, Long Range	Varies
2	FIS-0210-0004G	MS-Connect 210, Connectivity Box with Ethernet	\$849
3	61-000122-01 <sup>†</sup>	Cable, MS-890 to MS-Connect 210, Host RS-422/485, 6ft	\$110
	61-000123-01 <sup>†</sup>	Cable, To MS-Connect 210, Host/AUX RS-232, 6 ft	\$110
4	97-100004-15	Power Supply, 90-264 VAC, 24VDC USA /Euro Plug	\$138
5	99-000017-02	Photo Sensor, Visible, NPN, LIGHT ON	\$193
6	61-000105-01**	Pre-stripped RS-232, 9-pin host cable	\$33
User Documentation, Software	37-000010-01	TOOLS DRIVE, User Documentation, Software***	\$30

\* See MS-Connect Series section for a complete listing of Accessories

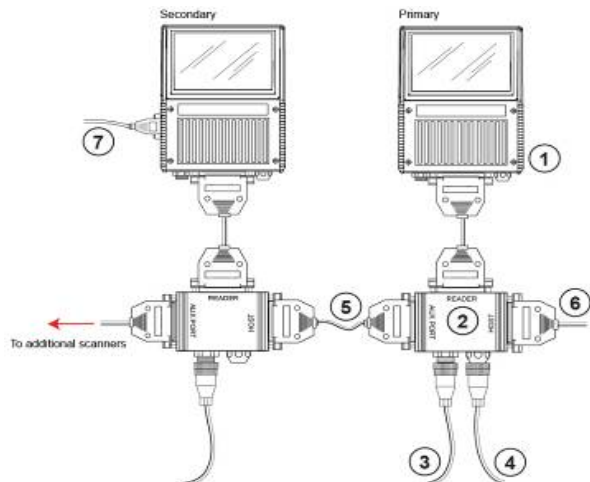
\*\* 1 free host cable is included with each MS-Connect 210

\*\*\* 1 free per order.

<sup>†</sup> Choose one cable.

### Daisy Chain

A primary scanner is linked directly to the host. Secondary scanners (up to 9) are linked in tandem. Data is sent from the primary scanner directly to the host.



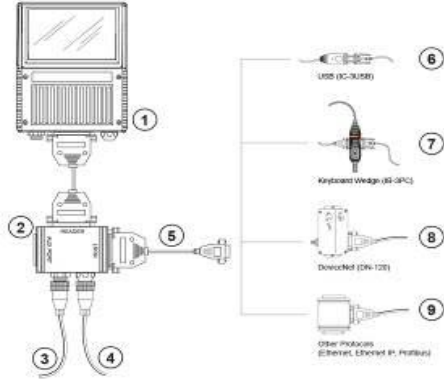
### System Matrix

Product	Reference No.	Description	List Price
1	FIS-0890-0001G	Scanner, Industrial, Long Range	Varies
2	98-000040-02	IB-150 Interface and Reader Cable, 6 ft	\$193
3	97-100004-15	Power Supply, 90-264 VAC, 24VDC USA /Euro Plug	\$138
4	99-000004-01	Package Detector, Std. Diffuse, 120 inch Range, 4-pin Plug	\$248
5	61-100029-03	Cable, Connects IB-150 to IB-150, 1 ft (.3 meters)	\$33
6	61-000034-02***	Cable, 25 pin Socket to 9 pin Socket, 6 ft	\$33
7	61-000010-02	Serial, 9 pin, D-Sub, Socket to 9 pin, D-Sub, Socket	\$33
Mounting Arm Kit	98-000018-01	Mounting Arm/Adapter Kit, MS-890	\$99
Mounting Plate	98-000046-01	Mounting Stand Base Plate	\$44
User Documentation, Software	37-000010-01	TOOLS DRIVE, User Documentation, Software*	\$30

\* 1 free per order.

\*\*\* If using another communications cable, make sure it does not have RTS/CTS connected to the host.

## Optional Interface Protocols



### System Matrix

Product	Reference No.	Description	List Price
1	FIS-0890-0001G	Scanner, Industrial, Long Range	Varies
2	98-000040-02	IB-150 Interface and Reader Cable, 6 ft	\$193
3	97-100004-15	Power Supply, 90-264 VAC, 24VDC, USA /Euro Plug	\$138
4	99-000004-01	Package Detector, Standard Diffuse, 120 inch Range, 4-pin Plug	\$248
5	61-000034-02	Cable, 25 Pin D-sub, Socket to 9 Pin D-sub, Socket, 6 ft	\$33
6***	98-000051-01	USB Conversion Kit	\$83
7****	FIS-0001-0030G	Keyboard Wedge PC Interface	\$110
8	20-500013-01 <sup>1</sup>	DeviceNet Protocol Box	\$655
9	Third Party	Ask your Microscan sales representative which solution is appropriate for your application.	Varies
Mounting Arm Kit	98-000018-01	Mounting Arm/Adapter Kit, MS-890	\$99
Mounting Plate	98-000046-01	Mounting Stand Base Plate	\$44
User Documentation, Software	37-000010-01	TOOLS DRIVE, User Documentation, Software*	\$30

\*1 free per order.

\*\*Refer to page 8 for a complete listing of support agreement options.

\*\*\* Pin Converter is not required for this configuration.

\*\*\*\*Set the IB-3PC to **position 2** in this configuration.

<sup>1</sup> Part is not RoHS compliant.



# MICROSCAN.

## Auto ID 2D Readers and Verifiers

### MS-2D Scan Engine



MS-2D Scan Engine with Bracket and integrated Decode Board



MS-2D Scan Engine with Tabs and separate Decode Board

### READ RANGE TABLE

Narrow-Bar	Read Range
<b>STANDARD DENSITY</b>	
<b>1D</b>	
.0050" (.127 mm)	3.7 to 5.0" (94 to 127 mm)
.0075" (.191 mm)	2.2 to 6.5" (56 to 165 mm)
.010" (.254 mm)	1.5 to 8.0" (38 to 203 mm)
.020" (.508 mm)	2.3 to 15.5" (58 to 394 mm)
<b>2D</b>	
.0050" (.127 mm)	3.7 to 4.6" (94 to 117 mm)
.0075" (.191 mm)	1.5 to 6.0" (38 to 152 mm)
.010" (.254 mm)	1.6 to 7.7" (41 to 196 mm)
.020" (.508 mm)	1.6 to 9.4" (41 to 239 mm)

Note: Subject to change. Working ranges are a combination of both wide angle and high density fields

**\*\*Important Pricing Discount Note\*\*** Product discounts are applied based on the Product TYPE as indicated in the TYPE column of each price sheet.

Two (2) Product Types are defined as follows: P = PRODUCT Discount or A = ACCESSORY Discount.

Refer to your Partner Agreement for the actual discount percentage by Product Type.

#### MS-2D Scan Engine

Part Number	Description	List Price	Type
FIS-MS2D-0001G	MS-2D Engine, USB, Tabs, 12 Inch Ribbon, Standard Focus	\$299	A
FIS-MS2D-0002G	MS-2D Engine, USB, Bracket, 12 Inch Ribbon, Standard Focus	\$315	A
FIS-MS2D-0003G	MS-2D Engine, Serial, Tabs, 12 Inch Ribbon, Standard Focus	\$299	A
FIS-MS2D-0004G	MS-2D Engine, Serial, Bracket, 12 Inch Ribbon, Standard Focus	\$315	A

Note: MS-2D Engines must be ordered in multiples of 10 units.

#### Accessories

Part Number	Description	List Price	Type
61-000209-01	MS-2D Ribbon Cable, Engine to Host, 2 Inches	\$8	A
61-000209-02	MS-2D Ribbon Cable, Engine to Host, 6 Inches	\$10	A
61-000209-03	MS-2D Ribbon Cable, Engine to Host, 12 Inches	\$12	A
98-000224-01	MS-2D Demonstration Kit, USB	\$599	A
98-000224-02	MS-2D Demonstration Kit, Serial	\$599	A

Note: MS-2D Ribbon Cables must be ordered in multiples of 10 units.

#### Software / Manuals

Part Number	Description	List Price	Type
37-000010-01*	TOOLS DRIVE, User Documentation, Software	\$30	A

\* One free per order.

# MICROSCAN.

## Auto ID 2D Readers and Verifiers

### MS-4 Compact 2D Imager

Narrow-bar-width		Field of View (maximum)	Read Range
1D	2D		
<b>Standard Density</b>			
0.0075 " ( 0.19 mm)	0.010 " ( 0.25 mm)	2.4 " ( 61 mm)	2.0 " to 4.0 " ( 51 mm to 102 mm)
0.010 " ( 0.25 mm)	0.015 " ( 0.38 mm)	2.6 " ( 66 mm)	1.7 " to 4.7 " ( 43 mm to 119 mm)
0.015 " ( 0.38 mm)	0.020 " ( 0.51 mm)	2.8 " ( 71 mm)	1.4 " to 5.2 " ( 36 mm to 132 mm)
<b>Low Density</b>			
0.010 " ( 0.25 mm)	0.015 " ( 0.38 mm)	4.2 " ( 107 mm)	3.5 " to 4.5 " ( 89 mm to 114 mm)
0.015 " ( 0.38 mm)	0.020 " ( 0.51 mm)	4.5 " ( 114 mm)	2.7 " to 5.0 " ( 69 mm to 127 mm)
0.020 " ( 0.51 mm)	0.030 " ( 0.76 mm)	5.5 " ( 140 mm)	2.0 " to 6.0 " ( 51 mm to 152 mm)



**\*\*Important Pricing Discount Note\*\*** Product discounts are applied based on the Product TYPE as indicated in the TYPE column of each price sheet.

Two (2) Product Types are defined as follows: P = PRODUCT Discount or A = ACCESSORY Discount.

Refer to your Partner Agreement for the actual discount percentage by Product Type.

#### Imagers MS-4

Part Number	Description	List Price	Type
FIS-0004-0001G	MS-4 Imager,Standard Density,RS-232,5VDC	\$935	P
FIS-0004-0002G	MS-4 Imager,Low Density,RS-232,5VDC	\$935	P
FIS-0004-0003G	MS-4 Imager,Standard Density,USB	\$935	P
FIS-0004-0004G	MS-4 Imager,Low Density,USB	\$935	P

\* Cable terminated with USB type A connector.

#### Imagers MS-4X

Part Number	Description	List Price	Type
FIS-0004-2001G	MS-4X IMAGER,SD,XMODE,RS232,5VDC	\$1,390	P
FIS-0004-2002G	MS-4X IMAGER,LD,XMODE,RS232,5VDC	\$1,390	P
FIS-0004-2003G	MS-4X IMAGER,SD,XMODE,USB,5VDC	\$1,390	P
FIS-0004-2004G	MS-4X IMAGER,LD,XMODE,USB,5VDC	\$1,390	P
FIS-0004-2005G	MS-4X IMAGER,SD,XMODE,USB+I/O,5VDC	\$1,490	P
FIS-0004-2006G	MS-4X IMAGER,LD,XMODE,USB+I/O,5VDC	\$1,490	P

USB cable terminated with USB type A connector.

#### Imagers MS-4Xi

Part Number	Description	List Price	Type
FIS-1004-1210G	MS-4 Xi,SD,ETHERNET,24VDC	\$1,890	P
FIS-1004-1110G	MS-4 Xi,LD,ETHERNET,24VDC	\$1,890	P

#### Accessories

Part Number	Description	List Price	Type
FIS-0210-0001G	MS-Connect 210,Connectivity Box with Display	\$849	A
FIS-0210-0002G	MS-Connect 210,Connectivity Box	\$549	A
FIS-0210-0003G	MS-Connect 210,Connectivity Box with Display and Ethernet	\$949	A
FIS-0210-0004G	MS-Connect 210,Connectivity Box with Ethernet	\$849	A
98-000013-04	Relay Module,120VAC,3 Amp Output,Series 70,Type SM,for MS-Connect 210 + MS-890	\$52	A
98-000013-05	Relay Module,240VAC,3 Amp Output,Series 70,Type SM for MS-Connect 210 + MS-890	\$52	A
98-000013-06	Relay Module, 24VDC, 3 Amp Output, Series 70, Type SM for MS-Connect 210	\$52	A
61-000127-02	Cable, MS-2 to MS-Connect 210, 6 ft	\$110	A
FIS-0001-0030G	IB-3PC Keyboard Wedge/Interface Box	\$110	A
FIS-0001-0035G	Converter, IC-332, 24V/5V,Opto I/O, use with IB-131	\$165	A
99-000018-01	IB-131, Interface Box	\$165	A
98-000039-02*	KIT, IB-152	\$138	A
61-300026-03	Cable, Communication, DB-25 Plug to DB-9 Socket, 6 ft	\$33	A
61-100029-03	Cable, Daisy Chain, IB-131	\$33	A
61-000010-02	Cable, Communication, DB-9 Socket to DB-9 Socket, 6 ft	\$33	A
20-500013-01**	BOX,INTERFACE,DEVICENET,Brand Label	\$655	A
61-000011-02	Extension Cable, Reader to IB-131 (MS-2,3 4,9 710,820 and MINI)	\$33	A

\*Part is not RoHS compliant.

\*\*Works with IB-131

# MICROSCAN.

## Power Supplies

Part Number	Description	List Price	Type
97-000002-01	Power Supply, 90-264 VAC,+5VDC, USA /Euro Plug (use with IB-3PC)	\$83	A
97-100004-15	Power Supply, 90-264 VAC,+24VDC USA /Euro Plug (only for IC-332 or connect 210)	\$138	A
97-000003-03	Xi Power Supply, M12-12 pin Socket, 1.3m	\$121	A

## Mounting and Connectors

Part Number	Description	List Price	Type
98-000048-01	Kit, Mounting Arm/Adapter 4 inch, MS-2, MS-3	\$77	A
98-000054-01	KIT,MOUNTING STAND BASE PLATE,MS-3	\$33	A
98-000053-01	KIT,MOUNTING EXTENSION,MS-3, 4"	\$39	A
98-000053-02	KIT,MOUNTING EXTENSION,MS-3,3"	\$39	A
98-000060-01	Kit, Bracket, Side Mount, MS-2, MS-3	\$22	A
98-000059-01	KIT,BRACKET,ANGLE MOUNT,MS-3	\$22	A
98-000057-02	KIT,BRACKET,THRU HOLE MNT,SMALL SCANNER	\$22	A
98-000088-01	Kit, Right Angle Mirror,MS-4/Mini	\$55	A
20-610024-01	Trigger Conn,4pin Plug (screw term and field wireable for custom wiring IB-131)	\$33	A
20-610020-01	Pwr Conn,3pin Sckt (screw term and field wireable for custom wiring into IB-131)	\$33	A

# MICROSCAN.

## *MS-4 Compact 2D Imager Accessories Continued*

### Package Detector/Sensor

Part Number	Description	List Price	Type
99-000017-01	Photo Sensor, Visible NPN, DARK ON	\$193	A
99-000017-02	Photo Sensor, Visible, NPN, LIGHT ON (for use with IB-131)	\$193	A

### Software/Manuals

Part Number	Description	List Price	Type
37-000010-01*	TOOLS DRIVE, User Documentation, Software	\$30	A
37-000003-01**	EZ Trax Software	\$500	A

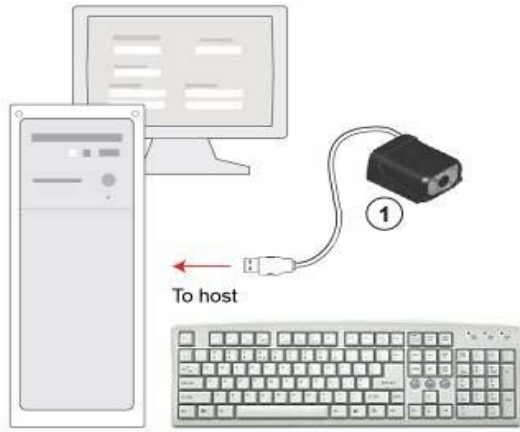
\* 1 free per order.

\*\* EZ Trax is an accessory.

## Tech Reference MS-4 / MS-4X

### USB

This is the basic setup for a single USB MS-4.



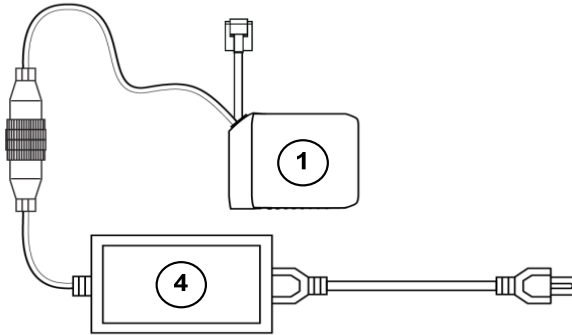
### System Matrix

Product	Reference No.	Description	List Price
1	FIS-0004-XXXXG	Imager Model	Varies
Mounting Arm/Adapter Kit	98-000048-01	4" (102mm) Mounting Kit	\$77
Mounting Plate	98-000054-01	Mounting Stand Base Plate, Small	\$33
EZ Trax Software	37-000003-01	Image Capture and Storage Software	\$500
User Documentation, Software	37-000010-01	TOOLS DRIVE, User Documentation, Software*	\$30

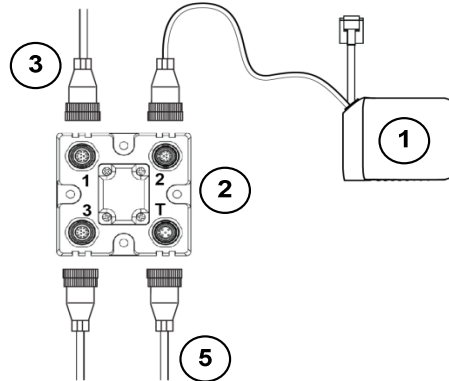
\* 1 free per order.

## Tech Reference MS-4 Xi

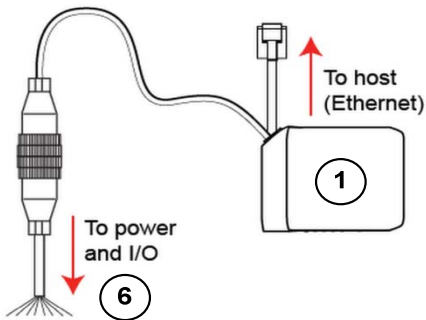
### Stand Alone



### Stand Alone with QX-1



### Stand Alone with Flying Leads



#### Wire Colors

1	WHITE
2	BROWN
3	GREEN
4	YELLOW
5	GRAY
6	PINK
7	BLUE
8	RED
9	BLACK
10	VIOLET
11	GRAY STRIPED PINK
12	RED STRIPED BLUE

### System Matrix

Product	Reference No.	Description	List Price
1	FIS-6310-1XX0G	MINI Hawk Xi	Varies
2	98-000103-02	QX-1 Interface Device	\$195
3	61-000153-01	Cordset, Host, Serial, M12 12-pin Socket to DB9, 1 m (Screw-On)	\$80
4	97-000003-03	Power Supply, M12 12-pin Socket, 1.3 m (Screw-On)	\$121
5	99-000020-02	Photo Sensor, M12 4-pin Plug, NPN, Dark On, 2 m	\$193
6	61-000166-02	Cordset, M12 12-Pin Plug (Screw-on) to Flying Leads, 3M	\$80
Mounting Arm/Adapter Kit	98-000048-01	4" (102mm) Mounting Kit	\$77
Mounting Plate	98-000054-01	Mounting Stand Base Plate, Small	\$33
EZ Trax Software	37-000003-01	Image Capture and Storage Software	\$500
User Documentation, Software	37-000010-01	TOOLS DRIVE, User Documentation, Software**	\$30
Replacement Power Supply	97-000002-02	Power Supply , 90-264 VAC, +5VDC *	\$83

\*Required power supply included with each reader.

\*\* 1 free per order.

# MICROSCAN.

## Quadrus MINI Family of Imagers



Narrow-bar-width 1D		2D	Field of View (maximum)	Read Range (using auto-focus)
<b>Ultra High Density</b>				
0.0033 " ( 0.08 mm)	0.005 " ( 0.13 mm)		2.2 " ( 56 mm)	2.0 " to 4.4 " ( 51 mm to 112 mm)
0.0075 " ( 0.19 mm)	0.010 " ( 0.25 mm)		3.6 " ( 91 mm)	1.8 " to 6.7 " ( 46 mm to 170 mm)
0.015 " ( 0.38 mm)	0.020 " ( 0.51 mm)		4.0 " ( 102 mm)	1.9 " to 7.7 " ( 48 mm to 196 mm)
<b>High Density</b>				
0.005 " ( 0.13 mm)	0.0075 " ( 0.19 mm)		3.1 " ( 79 mm)	1.5 " to 6.0 " ( 38 mm to 152 mm)
0.0075 " ( 0.19 mm)	0.010 " ( 0.25 mm)		4.2 " ( 107 mm)	1.2 " to 7.0 " ( 30 mm to 178 mm)
0.015 " ( 0.38 mm)	0.020 " ( 0.51 mm)		5.6 " ( 142 mm)	0.9 " to 9.0 " ( 23 mm to 229 mm)
<b>Standard Density</b>				
0.005 " ( 0.13 mm)	0.0075 " ( 0.19 mm)		3.2 " ( 81 mm)	1.8 " to 3.5 " ( 46 mm to 89 mm)
0.0075 " ( 0.19 mm)	0.010 " ( 0.25 mm)		4.2 " ( 107 mm)	1.6 " to 5.0 " ( 41 mm to 127 mm)
0.010 " ( 0.25 mm)	0.015 " ( 0.38 mm)		6.8 " ( 173 mm)	1.4 " to 7.5 " ( 36 mm to 191 mm)
0.020 " ( 0.51 mm)	0.030 " ( 0.76 mm)		9.5 " ( 241 mm)	1.0 " to 10.0 " ( 25 mm to 254 mm)

Subject to change

Listed above is the read range chart for Quadrus MINI and MINI ESD Safe Imagers. See MINI 3 and Velocity section for additional specifications

**\*\*Important Pricing Discount Note\*\*** Product discounts are applied based on the Product TYPE as indicated in the TYPE column of each price sheet.

Two (2) Product Types are defined as follows: P = PRODUCT Discount or A = ACCESSORY Discount.

Refer to your Partner Agreement for the actual discount percentage by Product Type.

## MINI Hawk ESD Safe



Performance specifications match Quadrus MINI

### MINI Hawk ESD Safe Imagers

Part Number	Description	List Price	Type
FIS-6300-1011G	MINI Hawk, Standard Density, ESD Safe, RS-232/422/485, 5VDC	\$2,290	P
FIS-6300-1012G	MINI Hawk, High Density, ESD Safe, RS-232/422/485, 5VDC	\$2,290	P
FIS-6300-1013G	MINI Hawk, Ultra High Density, ESD Safe, RS-232/422/485, 5VDC	\$2,290	P
FIS-6300-1014G	MINI Hawk, Standard Density, ESD Safe, USB, 5VDC	\$2,390	P
FIS-6300-1015G	MINI Hawk, High Density, ESD Safe, USB, 5VDC	\$2,390	P
FIS-6300-1016G	MINI Hawk, Ultra High Density, ESD Safe, USB, 5VDC	\$2,390	P

# MICROSCAN.

## MINI Hawk 3MP



Narrow-bar-width		Field of View (maximum)	Read Range (using autofocus)
1D	2D		
<b>Micro Density</b>			
.0028" (.07mm)	.0033" (.08 mm)	1.2" (30.4 mm)	1.9 to 2.0" (48.3 mm to 50.8 mm)
.0033" (.08 mm)	.005" (.13 mm)	4" (101.6 mm)	1.9 to 5.1" (48.3 mm to 129.5 mm)
.0075" (.19 mm)	.010" (.25 mm)	4.5" (114.3 mm)	1.7 to 5.6" (43.2 mm to 142.2 mm)
.015" (.38 mm)	.020" (.51 mm)	5.0" (127 mm)	1.7 to 6" (43.2 mm to 152.4 mm)
<b>Standard Density</b>			
.0033" (.08 mm)	.005" (.13 mm)	3.2" (81.3 mm)	1.9 to 3" (48 mm to 76.2 mm)
.005" (.13 mm)	.0075" (.19 mm)	5.0" (127 mm)	1.8 to 4.8" (46 mm to 121.9 mm)
.0075" (.19 mm)	.010" (.25 mm)	6.2" (157.5 mm)	1.6 to 6.5" (41 mm to 165.1 mm)
.010" (.25 mm)	.015" (.38 mm)	8.5" (215.9 mm)	1.4 to 8.5" (36 mm to 215.9 mm)
.020" (.51 mm)	.030" (.76 mm)	9.5" (241 mm)	1.0 to 10" (25 mm to 254 mm)

### MINI Hawk 3MP Imagers

Part Number	Description	List Price	Type
FIS-6300-2013G	MINI Hawk,3 Megapixel Imager,Micro Density,Serial,5VDC	\$2,990	P
FIS-6300-2014G	MINI Hawk,3 Megapixel Imager,Standard Density,Serial,5VDC	\$2,990	P
FIS-6300-2015G	MINI Hawk,3 Megapixel Imager,Micro Density,USB + I/O,5VDC	\$3,090	P
FIS-6300-2016G	MINI Hawk,3 Megapixel Imager,Standard Density,USB + I/O,5VDC	\$3,090	P

\* Includes required power supply.



## MINI Hawk High Resolution



Narrow-bar-width		Field of View (maximum)	Read Range (with autofocus)
1D	2D		
<b>Ultra High Density</b>			
.0033" (0.08 mm)	.005" (.13 mm)	2.2" (56 mm)	2.0 to 4.4" (51 mm to 112 mm)
.0075" (0.19 mm)	.010" (.25 mm)	3.6" (91 mm)	1.9 to 6.7" (48 mm to 170 mm)
.015" (0.38 mm)	.020" (.51 mm)	4.0" (102 mm)	1.9 to 7.7" (48 mm to 196 mm)
<b>High Density</b>			
.005" (0.13 mm)	.0075" (.19 mm)	3.1" (79 mm)	1.5 to 6.0" (38 mm to 152 mm)
.0075" (0.19 mm)	.010" (.25 mm)	4.2" (107 mm)	1.2 to 8.0" (30 mm to 203 mm)
.015" (0.38 mm)	.020" (.51 mm)	5.6" (142 mm)	0.9 to 10.5" (23 mm to 267 mm)
<b>Standard Density</b>			
.005" (0.13 mm)	.0075" (.19 mm)	3.2" (81 mm)	1.8 to 3.5" (46 mm to 89 mm)
.0075" (0.19 mm)	.010" (.25 mm)	4.2" (107 mm)	1.6 to 5.0" (41 mm to 127 mm)
.010" (0.25 mm)	.015" (.38 mm)	6.8" (173 mm)	1.4 to 7.5" (36 mm to 191 mm)
.020" (0.51 mm)	.030" (.76 mm)	9.5" (241 mm)	1.0 to 11.0" (25 mm to 279 mm)

### MINI Hawk High Resolution

Part Number	Description	List Price	Type
FIS-6300-4007G	MINI Hawk High Resolution,Standard Density,Serial,5VDC	\$1,990	P
FIS-6300-4008G	MINI Hawk High Resolution,High Density,Serial,5VDC	\$1,990	P
FIS-6300-4009G	MINI Hawk High Resolution,Ultra High Density,Serial,5VDC	\$1,990	P
FIS-6300-4010G	MINI Hawk High Resolution,Standard Density,USB+I/O,5VDC	\$2,090	P
FIS-6300-4011G	MINI Hawk High Resolution,High Density,USB+I/O,5VDC	\$2,090	P
FIS-6300-4012G	MINI Hawk High Resolution,Ultra High Density,USB+I/O,5VDC	\$2,090	P

\* Cable terminated with USB type A connector.

# MICROSCAN.

## MINI Hawk High Speed



Narrow-bar-width		Field of View (maximum)	Read Range (with autofocus)
1D	2D		
<b>Ultra-High Density</b>			
.0033" (.08 mm)	.005" (.13 mm)	1.6" (40 mm)	1.9 to 4.4" (47 mm to 110 mm)
.0075" (.19 mm)	.010" (.25 mm)	2.5" (64 mm)	1.7 to 6.7" (42 mm to 170 mm)
.015" (.38 mm)	.020" (.51 mm)	2.9" (74 mm)	1.5 to 8.0" (38 mm to 203 mm)
<b>Standard Density</b>			
.005" (.13 mm)	.0075" (.19 mm)	2.8" (72 mm)	1.6 to 4.4" (41 mm to 112 mm)
.0075" (.19 mm)	.010" (.25 mm)	3.8" (97 mm)	1.5 to 6.2" (38 mm to 157 mm)
.010" (.25 mm)	.015" (.38 mm)	4.7" (118 mm)	1.4 to 7.6" (36 mm to 193 mm)
.020" (.51 mm)	.030" (.76 mm)	6.2" (158 mm)	1.3 to 10.0" (33 mm to 254 mm)

### MINI Hawk High Speed Imagers

Part Number	Description	List Price	Type
FIS-6300-5005G	MINI Hawk High Speed, Standard Density, Serial, 5VDC	\$1,990	P
FIS-6300-5006G	MINI Hawk High Speed, Ultra High Density, Serial, 5VDC	\$1,990	P
FIS-6300-5007G*	MINI Hawk High Speed, Standard Density, USB+I/O, 5VDC	\$2,090	P
FIS-6300-5008G*	MINI Hawk High Speed, Ultra High Density, USB+I/O, 5VDC	\$2,090	P

\* Includes required power supply.

## MINI Hawk Xi



### MINI Hawk Xi High Speed Imagers

Part Number	Description	List Price	Type
FIS-6310-1110G	MINI HAWK Xi, SXGA, Standard Density, ETHERNET, 24V	\$2,490	P
FIS-6310-1210G	MINI HAWK Xi, SXGA, High Density, ETHERNET, 24V	\$2,490	P
FIS-6310-1310G	MINI HAWK Xi, SXGA, Ultra High Density, ETHERNET, 24V	\$2,490	P
FIS-6310-1100G	MINI HAWK Xi, WVGA, Standard Density, ETHERNET, 24V	\$2,490	P
FIS-6310-1300G	MINI HAWK Xi, WVGA, Ultra High Density, ETHERNET, 24V	\$2,490	P

**Note:**

Quadrus MINI Tech References are equal to MS-3 Laser with the exception of USB

Visit the MS-3 Laser section for configuration references

## Quadrus MINI Accessories

Accessories			
Part Number	Description	List Price	Type
FIS-0210-0001G	MS-Connect 210,Connectivity Box with Display	\$849	A
FIS-0210-0002G	MS-Connect 210,Connectivity Box	\$549	A
FIS-0210-0003G	MS-Connect 210,Connectivity Box with Display and Ethernet	\$949	A
FIS-0210-0004G	MS-Connect 210,Connectivity Box with Ethernet	\$849	A
98-000013-04	Relay Module,120VAC,3 Amp Output,Series 70,Type SM,for MS-Connect 210 + MS-890	\$52	A
98-000013-05	Relay Module,240VAC,3 Amp Output,Series 70,Type SM for MS-Connect 210 + MS-890	\$52	A
98-000013-06	Relay Module, 24VDC, 3 Amp Output, Series 70, Type SM for MS-Connect 210	\$52	A
61-000127-02	Cable, MS-2 to MS-Connect 210, 6 ft	\$110	A
FIS-0001-0035G	Converter, IC-332, 24V/5V,Opto I/O, use with IB-131	\$165	A
99-000018-01	IB-131, Interface Box	\$165	A
98-000039-02	KIT, IB-152	\$138	A
61-300026-03	Cable, Communication, DB-25 Plug to DB-9 Socket, 6 ft	\$33	A
61-100029-03	Cable, Daisy Chain, IB-131	\$33	A
20-500013-01**	BOX,INTERFACE,DEVICENET,Brand Label	\$655	A
61-000011-02	Extension Cable, Reader to IB-131 (MS-2,3 4,9 710,820 and MINI)	\$33	A
61-000151-01	Cable, MINI USB, I/O Breakout, Flying Leads, 3ft	\$33	A
98-000098-01	Kit, Quadrus MINI Diffuser	\$55	A
98-000086-02*	Demo Kit, Quadrus MINI	\$655	A

\*\* Works with IB-131. Part is not RoHS compliant.

\* This Demo Kit does not contain a reader and is discounted 25%. The separately purchased reader is discounted 60%.

Power Supply			
Part Number	Description	List Price	Type
97-000003-03	Xi Power Supply, M12-12 pin Socket, 1.3m	\$121	A
97-100004-15	Power Supply, 90-264 VAC,+24VDC USA /Euro Plug (only for IC-332 or connect 210)	\$138	A

Mounting and Connectors			
Part Number	Description	List Price	Type
98-000048-01	Kit, Mounting Arm/Adapter 4 inch, MS-2, MS-3	\$77	A
98-000054-01	KIT,MOUNTING STAND BASE PLATE,MS-3	\$33	A
98-000053-01	KIT,MOUNTING EXTENSION,MS-3, 4"	\$39	A
98-000053-02	KIT,MOUNTING EXTENSION,MS-3,3"	\$39	A
98-000060-01	Kit, Bracket, Side Mount, MS-2, MS-3	\$22	A
98-000059-01	KIT,BRACKET,ANGLE MOUNT,MS-3	\$22	A
98-000057-02	KIT,BRACKET,THRU HOLE MNT,SMALL SCANNER	\$22	A
98-000088-01	Kit, Right Angle Mirror,MS-4/Mini	\$55	A
20-610024-01	Trigger Conn,4pin Plug (screw term and field wireable for custom wiring IB-131)	\$33	A
20-610020-01	Pwr Conn,3pin Sckt (screw term and field wireable for custom wiring into IB-131)	\$33	A
99-000055-01	ACCESSORY, BRACKET, DOAL 50 to MINI	\$253	A
99-000057-01	Accessory, Bracket, DOAL 75 Smartlite to VisionMini and MiniHawk	\$253	A
99-000059-01	Accessory, Bracket, DOAL 100 Smartlite to VisionMini and MiniHawk	\$253	A
99-000053-01	Accessory, Bracket,R-60/70 Smartlite to VisionMini and MiniHawk	\$138	A
99-000054-01	Accessory, Bracket,R-100 Smartlite to VisionMini and MiniHawk	\$138	A

Package Detector/Sensor			
Part Number	Description	List Price	Type
99-000017-01	Photo Sensor, Visible NPN, DARK ON	\$193	A
99-000017-02	Photo Sensor, Visible, NPN, LIGHT ON (for use with IB-131)	\$193	A
99-000019-01	Photo Sensor, Visible, NPN, Light On, 5VDC	\$193	A

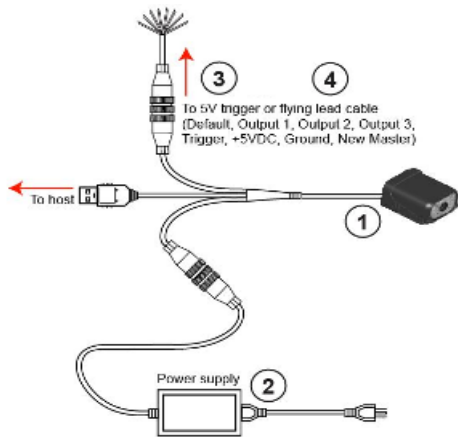
Software/Manuals			
Part Number	Description	List Price	Type
37-000010-01*	TOOLS DRIVE, User Documentation, Software	\$30	A

\*One free per order

## Tech Reference *Quadrus MINI*

### USB

This is the basic setup for a single USB (Second Generation) Quadrus MINI.



### System Matrix

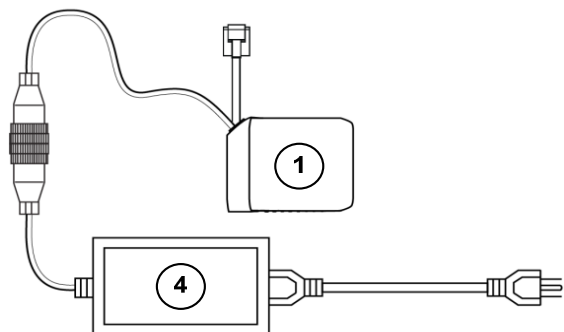
Product	Reference No.	Description	List Price
1	FIS-6300-XXXXG	MINI Imager, USB	Varies
2	97-000002-02	Power Supply , 90-264 VAC, +5VDC *	\$83
3	99-000019-01	Photo Sensor, Visible, NPN, Light On, 5VDC	\$193
4	61-000151-01	Cable, MINI USB, I/O Breakout, Flying Leads, 3ft	\$33
Mounting Arm/Adapter Kit	98-000048-01	4" (102mm) Mounting Kit	\$77
Mounting Plate	98-000054-01	Mounting Stand Base Plate, Small	\$33
EZ Trax Software	37-000003-01	Image Capture and Storage Software	\$500
User Documentation, Software	37-000010-01	TOOLS DRIVE, User Documentation, Software**	\$30
Replacement Power Supply	97-000002-02	Power Supply , 90-264 VAC, +5VDC *	\$83

\*Required power supply included with each reader.

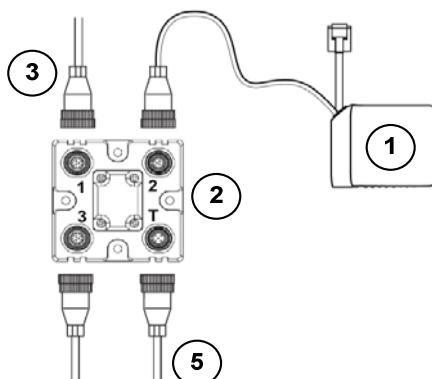
\*\* 1 free per order.

## Tech Reference *Mini HAWK Xi*

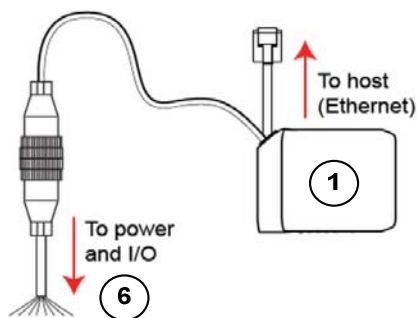
### Stand Alone



### Stand Alone with QX-1



### Stand Alone with Flying Leads



#### Wire Colors

1	WHITE
2	BROWN
3	GREEN
4	YELLOW
5	GRAY
6	PINK
7	BLUE
8	RED
9	BLACK
10	VIOLET
11	GRAY STRIPED PINK
12	RED STRIPED BLUE

#### System Matrix

Product	Reference No.	Description	List Price
1	FIS-6310-1XX0G	MINI Hawk Xi	Varies
2	98-000103-02	QX-1 Interface Device	\$195
3	61-000153-01	Cordset, Host, Serial, M12 12-pin Socket to DB9, 1 m (Screw-On)	\$80
4	97-000003-03	Power Supply, M12 12-pin Socket, 1.3 m (Screw-On)	\$121
5	99-000020-02	Photo Sensor, M12 4-pin Plug, NPN, Dark On, 2 m	\$193
6	61-000166-02	Cordset, M12 12-Pin Plug (Screw-on) to Flying Leads, 3M	\$80
Mounting Arm/Adapter Kit	98-000048-01	4" (102mm) Mounting Kit	\$77
Mounting Plate	98-000054-01	Mounting Stand Base Plate, Small	\$33
EZ Trax Software	37-000003-01	Image Capture and Storage Software	\$500
User Documentation, Software	37-000010-01	TOOLS DRIVE, User Documentation, Software**	\$30
Replacement Power Supply	97-000002-02	Power Supply , 90-264 VAC, +5VDC *	\$83

\*Required power supply included with each reader.

\*\* 1 free per order.

# MICROSCAN.

**QX Hawk High Performance, Flexible, Industrial Imager for Auto ID**



**IP65 INDUSTRIAL CERTIFIED**

**Compact Size  
Fast and Powerful  
X-Mode Algorithms  
Liquid Lens Imaging System  
QX Platform  
Integrated Ethernet  
IP65/67**

**CMOS MODULAR ZOOM OPTICS: Inches (mm)**

15°	Narrow-bar-width		Read Range (using autofocus)	Field of View		Depth of Field	
	1D	2D		At Inside Edge	At Outside Edge	Inside Edge	Outside Edge
	0.0033 (0.08)	0.005 (0.13)	1 to 6 (25 to 152)	0.53 (13)	1.8 (46)	0.2 (5)	0.8 (20)
	0.0075 (0.19)	0.010 (0.25)	1 to 14 (25 to 356)	0.53 (13)	3.5 (89)	0.8 (20)	2.5 (64)
	0.0150 (0.38)	0.020 (0.51)	2 to 29 (51 to 737)	0.53 (13)	7.5 (191)	1.5 (38)	9 (229)
	0.0350 (0.89)	0.050 (1.27)	3 to 60 (76 to 1524)	1.03 (26)	15.5 (394)	7 (178)	50 (1270)
	0.0860 (1.67)	0.100 (2.54)	6 to 96 (152 to 2438)	1.08 (27)	25 (635)	9 (229)	65 (1651)

30°	Narrow-bar-width		Read Range (using autofocus)	Field of View		Depth of Field	
	1D	2D		Inside Edge	Outside Edge	Inside Edge	Outside Edge
	0.0033 (0.08)	0.005 (0.13)	1 to 3 (25 to 76)	0.83 (21)	1.8 (46)	0.4 (10)	0.8 (20)
	0.0075 (0.19)	0.010 (0.25)	1 to 6.5 (25 to 165)	0.83 (21)	3.5 (89)	0.8 (20)	1.8 (46)
	0.0150 (0.38)	0.020 (0.51)	1 to 16 (25 to 406)	0.83 (21)	8.3 (211)	2 (51)	8.5 (216)
	0.0350 (0.89)	0.050 (1.27)	2 to 32 (51 to 813)	1.3 (33)	16.4 (417)	3 (76)	21.5 (546)

45°	Narrow-bar-width		Read Range (using autofocus)	Field of View		Depth of Field	
	1D	2D		Inside Edge	Outside Edge	Inside Edge	Outside Edge
	0.0075 (0.19)	0.010 (0.25)	1 to 5 (25 to 127)	1.3 (33)	4.1 (104)	1.5 (38)	2 (51)
	0.0150 (0.38)	0.020 (0.51)	1 to 9.5 (25 to 241)	1.3 (33)	7.5 (191)	2 (51)	6 (152)
	0.0350 (0.89)	0.050 (1.27)	1 to 23.5 (25 to 597)	1.3 (33)	18.3 (465)	3.8 (97)	19 (483)

NOTE: Read ranges are for specific element sizes as listed in the tables. Read ranges can extend to an infinite distance beyond the tables by increasing element sizes.

**CCD MODULAR ZOOM OPTICS: Inches (mm)**

15°	Narrow-bar-width		Read Range (using autofocus)	Field of View		Depth of Field	
	1D	2D		At Inside Edge	At Outside Edge	Inside Edge	Outside Edge
	0.002 (0.05)	0.0033 (0.08)	1 to 8 (25 to 152)	0.53 (13)	1.8 (46)	0.2 (5)	0.8 (20)
	0.005 (0.13)	0.0075 (0.19)	1 to 14 (25 to 356)	0.53 (13)	3.5 (89)	0.8 (20)	2.5 (64)
	0.010 (0.25)	0.0150 (0.38)	2 to 29 (51 to 737)	0.53 (13)	7.5 (191)	1.5 (38)	9 (229)
	0.020 (0.51)	0.0300 (0.76)	3 to 60 (76 to 1524)	1.03 (26)	15.5 (394)	7 (178)	50 (1270)
	0.040 (1.02)	0.0600 (1.52)	6 to 96 (152 to 2438)	1.08 (27)	25 (635)	9 (229)	65 (1651)

30°	Narrow-bar-width		Read Range (using autofocus)	Field of View		Depth of Field	
	1D	2D		Inside Edge	Outside Edge	Inside Edge	Outside Edge
	0.002 (0.05)	0.0033 (0.08)	1 to 3 (25 to 76)	0.83 (21)	1.8 (46)	0.4 (10)	0.8 (20)
	0.005 (0.13)	0.0075 (0.19)	1 to 6.5 (25 to 165)	0.83 (21)	3.5 (89)	0.8 (20)	1.8 (46)
	0.010 (0.25)	0.0150 (0.38)	1 to 16 (25 to 406)	0.83 (21)	8.3 (211)	2 (51)	8.5 (216)
	0.020 (0.51)	0.0300 (0.76)	2 to 32 (51 to 813)	1.3 (33)	16.4 (417)	3 (76)	21.5 (546)

45°	Narrow-bar-width		Read Range (using autofocus)	Field of View		Depth of Field	
	1D	2D		Inside Edge	Outside Edge	Inside Edge	Outside Edge
	0.005 (0.13)	0.0075 (0.19)	1 to 5 (25 to 127)	1.3 (33)	4.1 (104)	1.5 (38)	2 (51)
	0.010 (0.25)	0.0150 (0.38)	1 to 9.5 (25 to 241)	1.3 (33)	7.5 (191)	2 (51)	6 (152)
	0.020 (0.51)	0.0300 (0.76)	1 to 23.5 (25 to 597)	1.3 (33)	18.3 (465)	3.8 (97)	19 (483)

NOTE: Read ranges are for specific element sizes as listed in the tables. Read ranges can extend to an infinite distance beyond the tables by increasing element sizes.

**\*\*Important Pricing Discount Note\*\* Product discounts are applied based on the Product TYPE as indicated in the TYPE column of each price sheet.**

Two (2) Product Types are defined as follows: P = PRODUCT Discount or A = ACCESSORY Discount.

Refer to your Partner Agreement for the actual discount percentage by Product Type.

**QX Hawk CMOS Readers**

Part Number	Description	List Price	Type
FIS-6801-0110G	QX-Hawk industrial imager, WVGA CMOS, 15° lens, RS232/RS422 /485	\$2,790	P
FIS-6801-1110G	QX-Hawk industrial imager, WVGA CMOS, 15° lens, RS232/Ethernet	\$2,790	P
FIS-6801-0210G	QX-Hawk industrial imager, WVGA CMOS, 30° lens, RS232/RS422 /485	\$2,790	P
FIS-6801-1210G	QX-Hawk industrial imager, WVGA CMOS, 30° lens, RS232/Ethernet	\$2,790	P
FIS-6801-0310G	QX-Hawk industrial imager, WVGA CMOS, 45° lens, RS232/RS422 /485	\$2,790	P
FIS-6801-1310G	QX-Hawk industrial imager, WVGA CMOS, 45° lens, RS232/Ethernet	\$2,790	P
FIS-6801-0010G	QX-Hawk industrial imager, WVGA CMOS, C-mount lens, RS232/RS422 /485	\$2,690	P
FIS-6801-1010G	QX-Hawk industrial imager, WVGA CMOS, C-mount lens, RS232/Ethernet	\$2,690	P

## QX Hawk CCD Readers

Part Number	Description	List Price	Type
FIS-6801-0100G	QX-Hawk industrial imager, SXGA CCD,15° lens, RS232/RS422 /485	\$3,090	P
FIS-6801-1100G	QX-Hawk industrial imager, SXGA CCD,15° lens, RS232/Ethernet	\$3,090	P
FIS-6801-0200G	QX-Hawk industrial imager, SXGA CCD,30° lens, RS232/RS422 /485	\$3,090	P
FIS-6801-1200G	QX-Hawk industrial imager, SXGA CCD,30° lens, RS232/Ethernet	\$3,090	P
FIS-6801-0300G	QX-Hawk industrial imager, SXGA CCD,45° lens, RS232/RS422 /485	\$3,090	P
FIS-6801-1300G	QX-Hawk industrial imager, SXGA CCD,45° lens, RS232/Ethernet	\$3,090	P
FIS-6801-0000G	QX HAWK,HS,C-MOUNT,CCD,RS-422	\$2,990	P
FIS-6801-1000G	QX-Hawk industrial imager, SXGA CCD,C-mount lens, RS232/Ethernet	\$2,990	P

Note CMOS (WVGA) - 752 x 480 pixels, CCD (SXGA) 1280 x 960 pixels

## QX Hawk Accessories

Part Number	Description	List Price	Type
98-000143-01	KIT, ADAPTER PLATE, QX HAWK	\$55	A
98-000144-01	KIT, RA MIRROR, QX HAWK	\$85	A
98-000146-01	KIT, WINDOW REPLACEMENT, QX HAWK	\$35	A
98-000147-01	15° Lens kit, QX Hawk	\$135	A
98-000147-02	30° Lens kit, QX Hawk	\$135	A
98-000147-03	45° Lens kit, QX Hawk	\$135	A
98-000205-01	KIT,FRONT COVER,GLASS,IR COATING,QX HWK	\$135	A
98-000206-01	QX-Hawk glass window kit	\$70	A
98-000149-01*	Demo Kit, QX Hawk	\$595	A
98-000262-01	White LED illumination kit, QX Hawk/Vision HAWK	\$350	A

\* This Demo Kit does not contain a reader and is discounted 25%. The separately purchased reader is discounted 60%.

## QX Hawk C-Mount Accessories

Part Number	Description	List Price	Type
98-92800471	LENS,C-CS MOUNT ADAPTER (5MM EXT.)	\$40	A
98-CO206	Lens extension tube set 0.5, 1, 5, 10, 20, 40mm	\$145	A
98-92800571	Lens 8mm F/1.4-16, Front thread 25.5mm P 0.5mm, 2/3" C-mount	\$385	A
98-000257-01	LENS 12.5MM F/1-4-16,FT 25.5MM, C-MOUNT	\$415	A
98-000258-01	LENS 16MM F/1-4-16,FT 25.5MM, C-MOUNT	\$415	A
98-000259-01	LENS 25MM F/1-4-16,FT 25.5MM, C-MOUNT	\$415	A
98-92800575	LENS,35MM,F2.1-22,2/3" C-MOUNT	\$385	A
98-92800576	LENS,50MM,F2.8-22,2/3" C-MOUNT	\$385	A
98-92800577	LENS,75MM,F3.9-32,2/3" C-MOUNT	\$385	A
98-92800311	LENS,SKYLIGHT UV FILTER 25.5MM	\$75	A
98-92800371	LENS, FILTER POLARIZING 25.5MM P0.5	\$100	A
98-000218-01	Lens protection housing, standard length (up to 48mm)	\$338	A
98-000226-01	Lens protection housing, long (up to 72mm)	\$354	A

# MICROSCAN.

## QX-1 and Cordsets

Part Number	Description	List Price	Type
98-000103-02	ACCESSORY, QX-1	\$195	A
61-000148-01	QX Cordset,Common,M12 12 Pin,Socket (Ultralock)to M12 12 Pin,Plug(Ultralock),3M	\$80	A
61-000148-02	QX Cordset,Common,M12 12 Pin,Socket(Screw-on) to M12 12 Pin Plug (Screw-on),3M	\$80	A
61-000162-01	QX Cordset,Common,M12 12 Pin,Socket(Ultralock)to M12 12 Pin,Plug (Ultralock),1M	\$80	A
61-000162-02	QX Cordset,Common,M12 12 Pin,Socket (Screw-on) to M12 12 Pin Plug (Screw-on),1M	\$74	A
61-000153-01	QX Cordset,Host,Serial,M12 12 Pin Socket (Ultralock) to DB9 Socket,1M	\$80	A
61-000153-02	QX Cordset,Host,Serial,M12 12 pin Socket (Screw-on) to DB9 Socket,1M	\$74	A
61-000164-01	QX Cordset,Host,Serial,M12 12 pin Socket (Ultralock) to DB9 Socket,3M	\$85	A
61-000164-02	QX Cordset,Host,Serial,M12 12 pin Socket (Screw-on) to DB9 Socket,3M	\$80	A
61-000152-01	QX Cordset,Host,Serial M12 12 pin Plug (Ultralock) to DB9 Socket,1M	\$80	A
61-000152-02	QX Cordset,Host,Serial,M12 12 pin Plug (Screw-on) to DB9 Socket,1M	\$74	A
61-000165-01	QX Cordset,Host,Serial M12 12 pin Plug (Ultralock) to DB9 Socket,3M	\$85	A
61-000165-02	QX Cordset,Host,Serial M12 12 pin Plug (Screw-on) to DB9 Socket,3M	\$85	A
61-000163-01	QX Cordset,Host,Ethernet,M12 8 pin Plug (Ultralock) to RJ45,3M	\$85	A
61-000163-02	QX Cordset,Host,Ethernet,M12 8 pin Plug (Screw-on) to RJ45,3M	\$85	A
61-000160-01	QX Cordset,Host,Ethernet,M12 8 pin Plug (Ultralock) to RJ45,1M	\$80	A
61-000160-02	QX Cordset,Host,Ethernet,M12 8 pin Plug (Screw-on) to RJ45,1M	\$74	A
61-000161-01	QX Cordset,M12 12 pin Plug (Ultralock) to MS-5100,3M	\$85	A
61-000161-02	QX Cordset,M12 12 pin Plug (Screw-on) to MS-5100,3M	\$80	A
61-000172-01	QX Cordset,M12 12 pin Plug(Ultralock)to M12 12 pin Socket(Ultralock)to DB25 Plug	\$285	A
61-000158-03	QX Cordset, M12 12pin Plug & M12 12pin Socket to MS-Connect 210 (RS-232), 2m	\$248	A
61-000158-04	QX Cordset, M12 12pin Plug & M12 12pin Socket to MS-Connect 210 (RS-422), 2m	\$225	A
61-000166-01	QX Cordset,M12 12 Pin Plug (Ultralock) to Flying Leads,3M	\$85	A
61-000166-02	QX Cordset,M12 12 Pin Plug(Screw-on) to Flying Leads,3M	\$80	A
61-000167-01	QX Cordset,M12 12 Pin Socket (Ultralock) to Flying Leads,3M	\$85	A
61-000167-02	QX Cordset,M12 12 Pin Socket(Screw-on) to Flying Leads,3M	\$80	A
FIS-0210-0001G	MS-Connect 210,Connectivity Box with Display	\$849	A
FIS-0210-0002G	MS-Connect 210,Connectivity Box	\$549	A
FIS-0210-0003G	MS-Connect 210,Connectivity Box with Display and Ethernet	\$949	A
FIS-0210-0004G	MS-Connect 210,Connectivity Box with Ethernet	\$849	A
98-000013-04	Relay Module,120VAC,3 Amp Output,Series 70,Type SM,for MS-Connect 210 + MS-890	\$52	A
98-000013-05	Relay Module,240VAC,3 Amp Output,Series 70,Type SM for MS-Connect 210 + MS-890	\$52	A
98-000013-06	Relay Module, 24VDC, 3 Amp Output, Series 70, Type SM for MS-Connect 210	\$52	A
61-000207-01	ASSY,CABLE,SMART SERIES TO QX-1 ON/OFF	\$230	A
61-000218-01	ASSY,CBL,SMART SERIES TO QX-1,STROBE,NPN	\$130	A

## QX Hawk Accessories Continued

### Power Supplies

Part Number	Description	List Price	Type
97-000003-01	QX Power Supply, 24V, M12 12 pin Socket, 1.3m cable, USA /Euro Plug	\$121	A
97-000003-02	QX Power Supply, 24V, M12 12 pin Plug, 1.3m cable, USA /Euro Plug	\$121	A



## Package Detector/Sensor

Part Number	Description	List Price	Type
99-000020-02	QX Photo sensor, M12 4pin Plug, NPN, Dark On, 2m	\$193	A
99-000020-01	QX Photo sensor, M12 4pin Plug, NPN, Dark Off, 2m	\$193	A

## Mounting and Connectors

Part Number	Description	List Price	Type
61-000166-01	QX Cordset,M12 12 Pin Plug (Ultralock) to Flying Leads,3M	\$85	A
61-000167-01	QX Cordset,M12 12 Pin Socket (Ultralock) to Flying Leads,3M	\$85	A
98-500006-01	KIT, MTG PLATE, MS-710	\$22	A
20-610024-01	Trigger Conn,4pin Plug (screw term and field wireable for custom wiring IB-131)	\$33	A
98-000037-01	KIT, EXTENSION, ALL SCANNERS, 6 INCH	\$61	A
98-000054-01	KIT,MOUNTING STAND BASE PLATE,MS-3	\$33	A
98-000016-01	Kit, Mounting Arm/Adapter, MS-820/QX-830/QX-870, 6 inch	\$99	A
99-000056-01	Accessory, Bracket, DOAL 50 smartlite to VisionHawk and QX-Hawk	\$253	A
99-000058-01	Accessory, Bracket, DOAL 75 smartlite to VisionHawk and QX-Hawk	\$253	A
99-000060-01	Accessory, Bracket, DOAL 100 smartlite to VisionHawk and QX-Hawk	\$253	A
99-000061-01	Accessory, Bracket, DOAL smartlite to C-mount VisionHawk and QX-Hawk	\$253	A
99-000050-01	Accessory, Bracket,R-100 smartlite to VisionHawk and QX-Hawk	\$138	A
99-000052-01	Accessory, Bracket,R-60/70 smartlite to VisionHawk and QX-Hawk	\$138	A
99-000049-01	Accessory, Bracket,R-100 smartlite to C-mount VisionHawk and QX-Hawk	\$138	A
99-000051-01	Accessory, Bracket,R-60/70 smartlite to C-mount VisionHawk and QX-Hawk	\$138	A
98-000148-01	KIT, L BRACKET, QX SERIES	\$45	A

\* Though-hole mounting plate; not for use with mounting arm.

## Software/Manuals

Part Number	Description	List Price	Type
37-000010-01*	TOOLS DRIVE, User Documentation, Software	\$30	A

\* 1 free per order.

**Note: QX Hawk Tech References are equal to QX-830. Visit the QX-830 section for configuration references.**

# MICROSCAN

## UID DPM and LDP Verifiers



Type	UID Compliance Verifier, LDP
Image field	25.4 mm x 19.05 mm (1.0" x 0.75")
Verifiable markings	ISO 16022, ISO 15415, AS9132 Laser, AS9132 Dot Peen, AS9132 Electro-Chemical Etch, MIL-STD-130M Enhanced ISO 15415, AIM DPM-1-2006 Quality Guideline
Greatest possible thickness of the label/nameplate	0.125" (3.175 mm)
Depth of focus	0.125" (3.175 mm)
Smallest element size	0.0075" (0.19 mm)
Current requirement	AC adapter for 100 ... 250 VAC, 0.05 A 50/60 Hz input; 24 V with 500 mA output
Networking options	Ethernet for standard operation, RS232 baudrates from 600 bit/s to 115.3 Kbits/s for maintenance purposes
Operating temperature	0 ... 40 °C (32 ... 104 °F)
Lighting	Embedded Class I LED Red LED: 640 nm Diffuse perpendicular (90°) light
Laser target beam	Class II laser to IEC 60825-1
Humidity	< 95 %, non-condensing
Electrical/mechanical safety	EN 61010-1: 2002
Laser safety	EN 60825-1 1993 Amendment 2 2001-01
Image field	25.4 mm x 19.05 mm (1.0" x 0.75")

Type	UID Compliance Verifier, DPM
Image field	30.2 mm x 21.8 mm (1.19" x 0.86")
Test functions	ISO 16022, ISO 15415, AS9132 Laser, AS9132 Dot Peen, AS9132 Electro-Chemical Etch, MIL-STD-130M Enhanced ISO 15415, AIM DPM-1-2006 Quality Guideline
Greatest possible thickness of the label/nameplate	0.125" (3.175 mm)
Minimum size of elements	0.0075" (0.19 mm)
Performance requirements	AC adapter 100 to 240 VAC, 1.6 A 50/60 Hz input, 24 V with 1.5 A output
Interfaces	Ethernet for standard operation, RS232 baudrates from 600 baud to 115.2 Kbaud for maintenance purposes
Operating temperature	0 ... 40 °C (32 ... 104 °F)
Lighting	AIM DPM-1-2006 Quality Guideline Embedded Class I LED, Red LED: 640 nm Light settings: Diffuse Perpendicular 90 Degrees (90) Dome (D) Medium Angle 45 Degrees (45Q) Low Angle 30 Degrees (30Q, 30T and 30S)
Humidity	Up to 95 %, non-condensing
Electrical/mechanical safety	EN 61010-1: 2002
Laser safety	EN 60825-1 1993 Amendment 2 2001-01

**\*\*Important Pricing Discount Note\*\*** Product discounts are applied based on the Product TYPE as indicated in the TYPE column of each price sheet.

Two (2) Product Types are defined as follows: P = PRODUCT Discount or A = ACCESSORY Discount.

Refer to your Partner Agreement for the actual discount percentage by Product Type.

### UID Verifiers

Part Number	Description	List Price	Type
FIS-UD10-ODP1	UID Compliance verifier, Direct part marks, AIM DPM, ISO-15415	\$9,995	P
FIS-UD20-OCK1	UID Compliance verifier, Name plates, AIM DPM, ISO-15415	\$8,995	P

NOTE: Software is included on the TOOLS DRIVE. Order as a separate item.

### Accessories

Part Number	Description	List Price	Type
98-UA10-0CC0	UID verifier calibration test card	\$159	A
98-UA10-0ST0	UID DPM stand, accessory item	\$995	A
37-000010-01*	TOOLS DRIVE, User Documentation, Software	\$30	A

\* 1 free per order.

# MICROSCAN

## Auto ID Handhelds

### HS-1 Handheld Linear CCD Barcode Reader (1D Codes)

#### Read Ranges \*

##### Narrow Bar

5 mil (.127 mm)	1.5" to 3.5" (35 to 89 mm)
10 mil (.254 mm)	1.8" to 7.6" (46 to 193 mm)
20 mil (.508 mm)	3.0" to 13.8" (76 to 351 mm)



**\*\*Important Pricing Discount Note\*\*** Product discounts are applied based on the Product TYPE as indicated in the TYPE column of each price sheet.

Two (2) Product Types are defined as follows: P = PRODUCT Discount or A = ACCESSORY Discount.

Refer to your Partner Agreement for the actual discount percentage by Product Type.

#### Reader

Part Number	Description	List Price	Type
98-000106-01	HS-1 Handheld Reader, Linear Barcode, USB	\$195	P

NOTE: Demo kits are not available for HS-1, HS-2D and Mobile Hawk. A reader, specifically purchased as a demo unit will be discounted 50%.

#### Accessories

Part Number	Description	List Price	Type
98-000108-01	Stand, HS-1	\$54	A
98-000111-01**	RS232 Kit, HS-1	\$54	A
98-000112-01**	Cable, USB Virtual Com, HS-1	\$54	A

\*\* Order 98-000106 USB HD Handheld and this part number.

#### Software/Manuals

Part Number	Description	List Price	Type
37-000010-01*	TOOLS DRIVE, User Documentation, Software	\$30	A

\* 1 free per order.

# MICROSCAN

## Auto ID Handhelds

### HS-21 and HS-41X 2D Handheld Readers



#### Read Ranges

1D	
5 mil (.127 mm)	3.7" to 5.0" (94 to 127 mm)
7.5 mil (.191 mm)	2.2" to 6.5" (56 to 165 mm)
10 mil (.254 mm)	1.5" to 8.0" (38 to 203 mm)
20 mil (.508 mm)	2.3 to 15.5" (58 to 394 mm)
2D	
5 mil (.127 mm)	3.7" to 4.6" (94 to 117 mm)
7.5 mil (.191 mm)	1.5" to 6.0" (38 to 152 mm)
15 mil (.381 mm)	1.6" to 7.7" (41 to 196 mm)
20 mil (.508 mm)	1.6" o 9.4" (41 to 239 mm)

**\*\*Important Pricing Discount Note\*\*** Product discounts are applied based on the Product TYPE as indicated in the TYPE column of each price sheet.

Two (2) Product Types are defined as follows: P = PRODUCT Discount or A = ACCESSORY Discount.

Refer to your Partner Agreement for the actual discount percentage by Product Type.

#### HS-21 Reader

Part Number	Description	List Price	Type
FIS-HS21-0001G	HS-21 2D Handheld Reader, USB, 6 ft. Straight Cable	\$395	P
FIS-HS21-0002G	HS-21 2D Handheld Reader, RS232, 8 ft. Coiled Cable, US Power Supply	\$395	P
FIS-HS21-0003G	HS-21 2D Handheld Reader, RS232, 8 ft. Coiled Cable, EU Power Supply	\$395	P
FIS-HS21-0004G	HS-21 2D Handheld Reader, RS232, 8 ft. Coiled Cable, UK Power Supply	\$395	P

NOTE: HS-21 is offered in light gray

#### HS-41X DPM Reader

Part Number	Description	List Price	Type
FIS-HS41X-0001G	HS-41X 2D Handheld DPM Reader, USB, 6 ft. Straight Cable	\$895	P
FIS-HS41X-0002G	HS-41X 2D Handheld DPM Reader, RS232, 8 ft. Coiled Cable, US Power Supply	\$895	P
FIS-HS41X-0003G	HS-41X 2D Handheld DPM Reader, RS232, 8 ft. Coiled Cable, EU Power Supply	\$895	P
FIS-HS41X-0004G	HS-41X 2D Handheld DPM Reader, RS232, 8 ft. Coiled Cable, UK Power Supply	\$895	P

NOTE: HS-41X is offered in Dark Gray

#### Accessories

Part Number	Description	List Price	Type
98-000264-01*	Demo Kit, HS-21 & HS-41X, USB, 2 6ft Straight USB cables, 1 8ft. Serial Cable	\$1,200	P
98-000270-03	Kit, Presentaion stand, Hand Held Reader	\$50	A
61-000224-01	CABLE, USB, HS-21/HS-41X, 6FT STRAIGHT	\$40	A
61-000224-02	CABLE, USB, HS-21/HS-41X, 8FT COILED	\$45	A
61-000224-03	CABLE, RS232, HS-21/HS41X, 8FT COILED	\$40	A
20-000335-02	POWER SUPPLY, HANDHELD SCANNER, WALL MOUNT, 90-264 VAC, +5VDC, 1.5A, USA PLUG	\$33	A
20-000336-02	POWER SUPPLY, HANDHELD SCANNER, WALL MOUNT, 90-264 VAC, +5VDC, 1.5A, EURO PLUG	\$72	A
20-000337-02	POWER SUPPLY, HANDHELD SCANNER, WALL MOUNT, 90-264 VAC, +5VDC, 1.5A, UK PLUG	\$88	A

\*NOTE: This demo kit contains 2 readers and is discounted at 25%

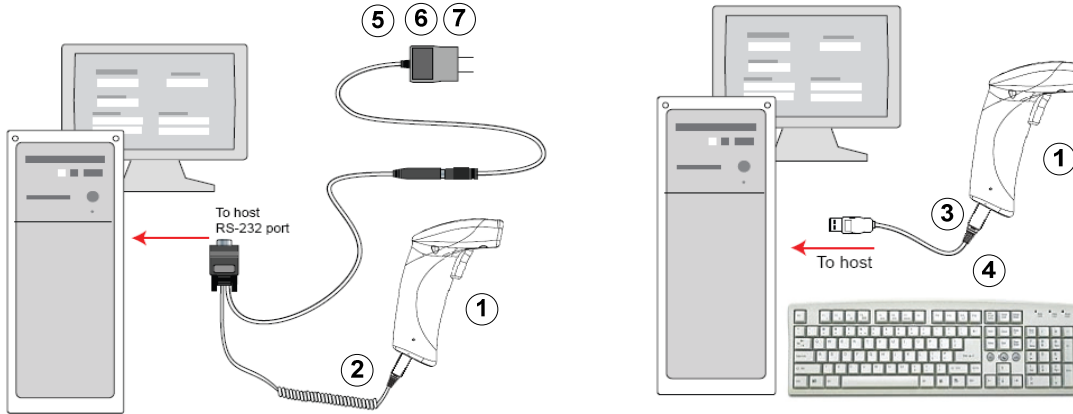
#### Software/Manuals

Part Number	Description	List Price	Type
37-000010-01*	TOOLS DRIVE, User Documentation, Software	\$30	A

\* 1 free per order.

## Tech Reference *HS-21 / HS-41X*

### USB and Serial Configuration



Item	Part Number	Description	List Price
1	FIS-HSX1-XXXXG	HS-21 / HS-41X Handheld 2D Reader	Varies
2	61-000224-03	Cable, RS232 8' Coiled, HS-21 & HS41X	\$40
3	61-000224-02	Cable, USB 8' Coiled, HS-21 & HS41X	\$45
4	61-000224-01	Cable, USB 6' Straight, HS-21 & HS41X	\$40
5	20-000335-02	Power Supply, US, HS-21 & HS41X	\$50
6	20-000336-02	Power Supply, Europe/South America, HS-21 & HS41X	\$60
7	20-000337-02	Power Supply, UK, HS-21 & HS41X	\$60
	98-000270-03	Kit, Presentation stand, Hand Held Reader	\$50
	37-000010-01	TOOLS DRIVE, User Documentation, Software*	\$30

\* One free per order.

# MICROSCAN.

## Auto ID DPM Handhelds

### Mobile Hawk High Performance DPM Handheld Reader

#### Read Ranges

##### High Resolution

5 mil (.127 mm)	.25" to .75" (44 to 64 mm)
10 mil (.254 mm)	.50" to 1.50" (44 to 103 mm)
20 mil (.508 mm)	.50" to 3.50" (44 to 165 mm)



**\*\*Important Pricing Discount Note\*\*** Product discounts are applied based on the Product TYPE as indicated in the TYPE column of each price sheet.

Two (2) Product Types are defined as follows: P = PRODUCT Discount or A = ACCESSORY Discount.

Refer to your Partner Agreement for the actual discount percentage by Product Type.

#### Reader

Part Number	Description	List Price	Type
FIS-6170-0001G	Mobile Hawk DPM Reader, 12 ft USB cable	\$2,090	P

#### RS-232 Kits (Serial Interface)

Part Number	Description	List Price	Type
98-000074-04	Interface Kit, Handheld Reader, RS-232, 8 ft coiled cable, USA Power Supply	\$77	A
98-000074-05	Interface Kit, Handheld Reader, RS-232, 8 ft coiled cable, Europe Power Supply	\$110	A
98-000074-06	Interface Kit, Handheld Reader, RS-232, 8 ft coiled cable, UK Power Supply	\$121	A
60-000008-02	Cable, 8' coiled, RS-232 interface	\$50	A
60-000009-02	Cable, 6' straight, USB interface	\$50	A
60-000031-01	Cable, 12' straight, USB interface	\$77	A
98-000153-02	HANDHELD READER STND,HS-2D/MOBILE HAWK	\$164	A

NOTE: Demo kits are not available for HS-1, HS-2D and Mobile Hawk. A reader, specifically purchased as a demo unit will be discounted 50%.

NOTE: PS2 cable is not supported by the Mobile Hawk product.

#### Software/Manuals

Part Number	Description	List Price	Type
37-000010-01*	TOOLS DRIVE, User Documentation, Software	\$30	A

\* 1 free per order.

# MICROSCAN.

## Auto ID Software, Connectivity, and Accessories

### MS-Connect Series



**\*\*Important Pricing Discount Note\*\*** Product discounts are applied based on the Product TYPE as indicated in the TYPE column of each price sheet.

Two (2) Product Types are defined as follows: P = PRODUCT Discount or A = ACCESSORY Discount.

Refer to your Partner Agreement for the actual discount percentage by Product Type.

#### MS-Connect 210 Options

Part Number	Description	List Price	Type
FIS-0210-0001G	MS-Connect 210,Connectivity Box with Display	\$849	A
FIS-0210-0002G	MS-Connect 210,Connectivity Box	\$549	A
FIS-0210-0003G	MS-Connect 210,Connectivity Box with Display and Ethernet	\$949	A
FIS-0210-0004G	MS-Connect 210,Connectivity Box with Ethernet	\$849	A

#### Accessories

Part Number	Description	List Price	Type
61-000066-02	Cable coiled, MS-Connect 210 to MS-Q, (must be stripped by user before wiring)	\$88	A
61-000105-01	Cable, Pre-stripped to 9pin host cable, 6 ft	\$30	A
61-000122-01	Cable, To MS-Connect 210, Host RS-422/485 for Multidrop, 6 ft	\$110	A
61-000123-01	Cable, To MS-Connect 210, Host/AUX RS-232, for Daisy Chain 210 to 210, 6 ft	\$110	A
61-000127-02	Cable, MS-2 to MS-Connect 210, 6 ft	\$110	A
FIS-0001-0035G	Converter, IC-332, 24V/5V,Opto I/O, use with IB-131	\$165	A
98-000013-04	Relay Module,120VAC,3 Amp Output,Series 70,Type SM,for MS-Connect 210 + MS-890	\$52	A
98-000013-05	Relay Module,240VAC,3 Amp Output,Series 70,Type SM for MS-Connect 210 + MS-890	\$52	A
98-000013-06	Relay Module, 24VDC, 3 Amp Output, Series 70, Type SM for MS-Connect 210	\$52	A
61-000066-01	Cable, MS-Connect 210 to MS-Q (must be stripped by user before wiring)	\$88	A
61-000158-03	QX Cordset, M12 12pin Plug & M12 12pin Socket to MS-Connect 210 (RS-232), 2m	\$248	A
61-000158-04	QX Cordset, M12 12pin Plug & M12 12pin Socket to MS-Connect 210 (RS-422), 2m	\$225	A
98-000095-02**	Demo Kit, MS-Connect 210	\$895	A

\*\* This demo kit does not contain the MS-Connect 210 and is discounted 25%. A MS-Connect 210 ordered separately is discounted 60%

#### Power Supply

Part Number	Description	List Price	Type
97-100004-15	Power Supply, 90-264 VAC,+24VDC USA /Euro Plug (only for IC-332 or connect 210)	\$138	A

#### Mounting and Connectors

Part Number	Description	List Price	Type
98-000093-01	Kit, DIN Rail Mounting, MS-Connect 210	\$50	A

#### Package Detector/Sensor

Part Number	Description	List Price	Type
99-000017-02	Photo Sensor, Visible, NPN, LIGHT ON (for use with IB-131)	\$193	A

#### Software/Manuals

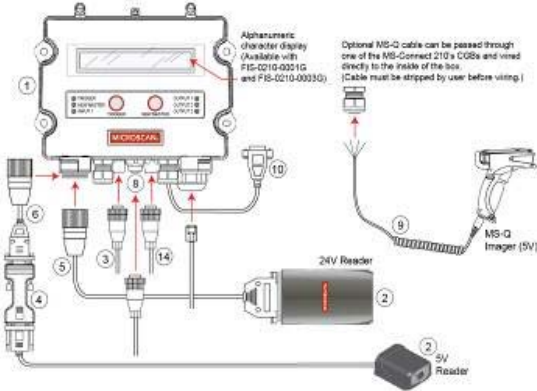
Part Number	Description	List Price	Type
37-000010-01*	TOOLS DRIVE, User Documentation, Software	\$30	A
37-000003-01	EZ Trax Software	\$500	A

\* 1 free per order.

## Tech Reference *MS-Connect 210*

### Stand Alone

These are the setup options for one MS-Connect 210 and one 10-28V or 5V reader.

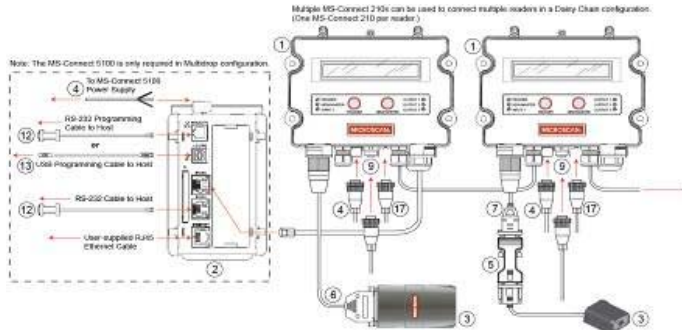


Product	Reference No.	Description	List Price
(1) MS-Connect 210	FIS-0210-0001G	Connectivity Box with Display	\$849
	FIS-0210-0002G	Connectivity Box	\$549
	FIS-0210-0003G	Connectivity Box with Display and Ethernet	\$949
	FIS-0210-0004G	Connectivity Box with Ethernet	\$849
(2) Microscan Reader	FIS-XXXX-XXXXG	Varies	Varies
(3) Power Supply	97-100004-15	Power Supply, 90-264 VAC, 24VDC, USA/Euro Plug	\$138
(4) IC-332 (5V Readers)	FIS-0001-0035G	Power Adapter, Connects 5V Reader to Interface	\$165
(5) Reader Cable (10-28V Readers)	61-000122-01	Cable, To MS-Connect 210, Host RS-422/485 for Multidrop, 6 ft	\$110
(6) Reader Cable (5V Readers and MS-9)	61-000127-02	Cable, 5V Reader or MS-9 to MS-Connect 210, 6 ft	\$110
(7) Reader Cable (5V Readers and MS-9)	61-000139-01	Cable, To MS-Connect 210, Host RS-422/485 for Multidrop, 6 ft	\$110
(8) Reader Cable (MS-820 only; not shown)	61-000121-02	Cable, MS-820 to MS-Connect 210, 3 ft	\$110
(9) Internal Ethernet Cable (If applicable)	61-000128-01	Cable, Micro-Change to Ethernet module, MS-Connect 210, 8 in.	\$55
(10) MS-Q Reader Cable (If applicable)	61-000066-01	Cable, MS-Connect 210 to MS-Q (must be stripped by user before wiring)	\$88
(11) MS-Connect 210 Host Cable	61-000105-01	Pre-stripped to 9pin host cable, 6 ft	\$33
(12) Pluggable Relay Module (If applicable; not shown)	98-000013-04	120VAC, Series 70, Type SM	\$52
(13) Pluggable Relay Module (If applicable; not shown)	98-000013-05	240VAC, Series 70, Type SM	\$52
(14) Pluggable Relay Module (If applicable; not shown)	98-000013-06	24VDC, Series 70, Type SM	\$52
(15) Object Detector (If applicable)	99-000017-02	Photo sensor, Visible, NPN, Light On	\$193
DIN Rail Mounting Kit	98-000093-01	Mounting kit for affixing the MS-Connect 210 to a DIN rail	\$50



## Tech Reference *MS-Connect 210*

# Multidrop / Daisy Chain



Product	Reference No.	Description	List Price
(1) MS-Connect 210	FIS-0210-0001G	Connectivity Box with Display	\$849
	FIS-0210-0002G	Connectivity Box	\$549
	FIS-0210-0003G	Connectivity Box with Display and Ethernet	\$949
	FIS-0210-0004G	Connectivity Box with Ethernet	\$849
(2) MS-Connect 5100	FIS-5100-0001G	Enhanced Multidrop Concentrator (required for Multidrop only)	\$1,095
(3) Microscan Reader	FIS-XXXX-XXXXG	Varies	Varies
(4) Power Supply	97-100004-15	Power Supply, 90-264 VAC, 24VDC, USA/Euro Plug	\$138
(5) IC-332	FIS-0001-0035G	Power Adapter, Connects 5V Reader to Interface	\$165
(6) Reader Cable (10-28V)	61-000122-01	Cable, To MS-Connect 210, Host RS-422/485 for Multidrop, 6 ft Cable,	\$110
(7) Reader Cable (5V Readers and MS-9)	61-000127-02	Cable, 5V Reader or MS-9 to MS-Connect 210, 6 ft	\$110
(8) Reader Cable (MS-820 only; not shown)	61-000121-02	Cable, MS-820 to MS-Connect 210, 3 ft	\$110
(9) Internal Ethernet Cable (If applicable)	61-000128-01	Cable, Micro-Change to Ethernet module, MS-Connect 210, 8 in.	\$55
(10) MS-Q Reader Cable (If applicable; not shown)	61-000066-02	Cable, MS-Connect 210 to MS-Q (must be stripped by user before wiring)	\$88
(11) MS-Connect 210 Host Cable (not shown)	61-000105-01	Pre-stripped to 9pin host cable, 6 ft	\$33
(12) MS-Connect 5100 Host Cable (required for Multidrop only)	61-000108-01	Cable, RJ-12 to 9-pin D Sub, 6 Feet	\$50
(13) MS-Connect 5100 Programming Cable (required for Multidrop only)	61-000112-01	Cable, USB Type A Male to Mini B Male, 10 ft	\$33
(14) Pluggable Relay Module (If applicable; not shown)	98-000013-04	120VAC, Series 70, Type SM	\$52
(15) Pluggable Relay Module (If applicable; not shown)	98-000013-05	240VAC, Series 70, Type SM	\$52
(16) Pluggable Relay Module (If applicable; not shown)	98-000013-06	24VDC, Series 70, Type SM	\$52
(17) Object Detector (If applicable)	99-000017-02	Photo sensor, Visible, NPN, Light On	\$193
DIN Rail Mounting Kit	98-000093-01	Mounting kit for affixing the MS-Connect 210 to a DIN rail	\$50

# MICROSCAN

## MS-Connect 5100 Options

Part Number	Description	List Price	Type
FIS-5100-0001G	MS-Connect 5100, Enhanced Multidrop Concentrator	\$1,095	A

## Accessories

Part Number	Description	List Price	Type
FIS-0001-0035G	Converter, IC-332, 24V/5V, Opto I/O, use with IB-131	\$165	A
61-000108-01	Cable, RJ-12 to 9-pin D Sub, 6 Feet	\$50	A
61-000112-01	Cable, USB Type A Male to Mini B Male, 10 ft	\$33	A
61-000113-01	Cable, Concentrator to IB-131/IB-150 RJ45 to 25-pin D Sub, 10 ft	\$66	A
61-100030-03	Cable, Multidrop, 10 feet IB-131/IB-150 to IB-131/IB-150	\$33	A
99-000018-01	IB-131, Interface Box	\$165	A
98-000040-02	Cable, Interface and reader, 6 ft, IB-150	\$193	A
61-000161-01	QX Cordset, M12 12 pin Plug (Ultralock) to MS-5100, 3M	\$85	A

<sup>1</sup> Gender changer may be needed for IB-131 to IB-150; one gender changer included with 61-000113-01.

## Power Supply

Part Number	Description	List Price	Type
97-100004-15	Power Supply, 90-264 VAC, +24VDC USA /Euro Plug (only for IC-332 or connect 210)	\$138	A

## Mounting

Part Number	Description	List Price	Type
10-000251-01	Mounting Bracket	\$50	A

## Package Detector/Sensor

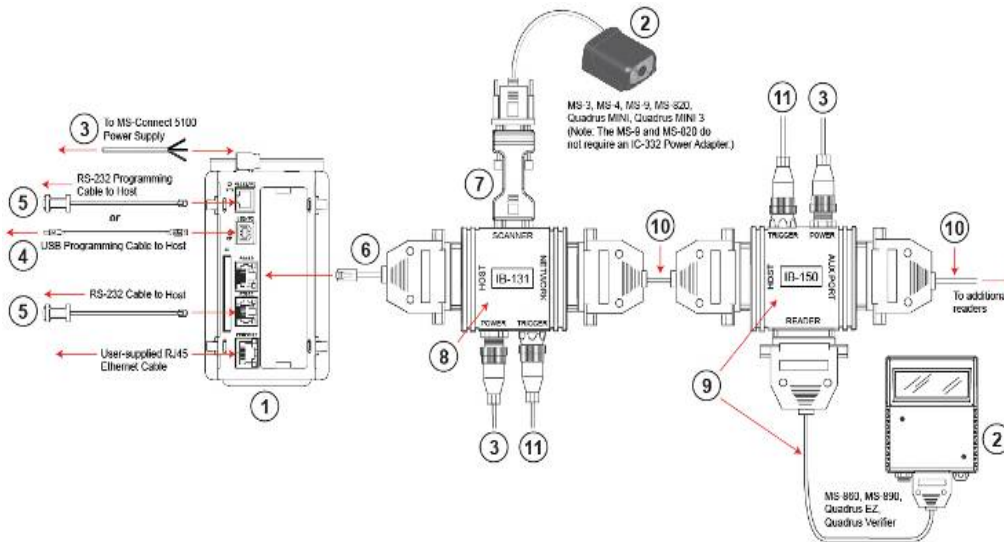
Part Number	Description	List Price	Type
99-000017-01	Photo Sensor, Visible NPN, DARK ON	\$193	A
99-000017-02	Photo Sensor, Visible, NPN, LIGHT ON (for use with IB-131)	\$193	A

## Software/Manuals

Part Number	Description	List Price	Type
37-000010-01	TOOLS DRIVE, User Documentation, Software	\$30	A
37-000003-01	EZ Trax Software	\$500	A

## Tech Reference *MS-Connect 5100*

### Multidrop



Product	Reference No.	Description	List Price
(1) MS-Connect 5100*	FIS-5100-0001G	Enhanced Multidrop Concentrator	1095
(2) Microscan Reader	FIS-XXXX-XXXXG	Varies	Varies
(3) Power Supply	97-100004-15	1-Power supply per MS-Connect 5100 unit and Readers	\$138
(4) USB Programming Cable,	61-000112-01	Cable, USB Type A Male to Mini B Male, 10 ft	\$33
(5) Prog/Comm. Cable, RS-232	61-000108-01	Cable, RJ-12 to 9-pin D Sub, 6 Feet	\$50
(6) Concentrator Cable	61-000113-01	Cable, Concentrator to IB-131/IB-150 RJ45 to 25-pin D Sub, 10 ft	\$66
(7) IC-332	FIS-0001-0035G	Adapter for 5-Volt readers, MS-3, MS-4 and Quadrus MINI	\$165
(8) IB-131 Interface Box	99-000018-01	IB-131 Interface Box for MS-3, MS4, MS-9, MS-820 and Quadrus MINI	\$165
(9) Kit, IB-150 Interface Box	98-000040-02	IB-150 and Reader cable, 6 ft for MS-860, MS-880 and Quadrus EZ	\$193
(10) Multidrop Trunk Cable	61-100030-03	Cable, multidrop, 10 feet IB-131/IB-150 to IB-131/IB-150 <sup>1</sup>	\$33
(11) Object Detector (if applicable)	(If 99-000017-01	Photo sensor, Visible, NPN, Dark On	\$193
Mounting Bracket (not shown)	10-000251-01	Mounting bracket for affixing the unit to flat surfaces	\$50

<sup>1</sup> Gender changer may be needed for IB-131 to IB-150; one gender changer included with 61-000113-01.

See QX-830 section for Multidrop configurations \*Discounted like FIS

# MICROSCAN.

## Auto ID Product Accessories

### Protocol

Part Number	Description	List Price	Type
20-500013-01	BOX,INTERFACE,DEVICENET,Brand Label	\$655	A

<sup>1</sup> Part is not RoHS compliant.

### Monitor (110 VAC only)

Part Number	Description	List Price	Type
98-000096-01	KIT, MONITOR, 7" TFT LCD	\$710	A

### Right Angle Mirror Kits

Part Number	Description	List Price	Type
98-200026-02	Kit, Right Angle Bracket, MS-820 / 825	\$83	A
98-200036-01	KIT,RIGHT ANGLE MIRROR,MS-911	\$83	A
98-000036-01	Kit, Right Angle Up Mirror, Quadrus EZ	\$83	A
98-000088-01	Kit, Right Angle Mirror,MS-4/Mini	\$55	A
98-000058-02	Kit, Extended Right Angle Mirror, MS-2, MS-3	\$55	A

### Package Detector/Sensor

Part Number	Description	List Price	Type
99-000017-01	Photo Sensor, Visible NPN, DARK ON	\$193	A
99-000017-02	Photo Sensor, Visible, NPN, LIGHT ON (for use with IB-131)	\$193	A
99-000019-01	Photo Sensor, Visible, NPN, Light On, 5VDC	\$193	A
99-000004-01	Package Detector, Standard Diffuse, 120 inch Range, 4-pin Plug	\$248	A
99-000004-02	ACCESSORY, PHOTOSWITCH, A-B	\$248	A
99-000020-02	QX Photo sensor, M12 4pin Plug, NPN, Dark On, 2m	\$193	A
99-000020-01	QX Photo sensor, M12 4pin Plug, NPN, Dark Off, 2m	\$193	A

### Cable / Connectivity

Part Number	Description	List Price	Type
61-000010-02	Cable, Communication, DB-9 Socket to DB-9 Socket, 6 ft	\$33	A
61-000011-02	Extension Cable, Reader to IB-131 (MS-2,3 4,9 710,820 and MINI)	\$33	A
61-000034-02	Cable, Comm/Serial , 25pin Socket to 9pin Socket, 6 ft	\$30	A
61-100029-03	Cable, Daisy Chain, IB-131	\$33	A
61-300026-03	Cable, Communication, DB-25 Plug to DB-9 Socket, 6 ft	\$33	A
99-000008-02	Accessory, IB-150	\$165	A
61-000151-01	Cable, MINI USB, I/O Breakout, Flying Leads, 3ft	\$33	A
61-000154-01	Adapter, Daisy Chain	\$83	A

### Connector Kits

Part Number	Description	List Price	Type
20-610024-01	Trigger Conn,4pin Plug (screw term and field wireable for custom wiring IB-131)	\$33	A
20-610020-01	Pwr Conn,3pin Sckt (screw term and field wireable for custom wiring into IB-131)	\$33	A

### Power Supplies

Part Number	Description	List Price	Type
97-000002-01	Power Supply, 90-264 VAC,+5VDC, USA /Euro Plug (use with IB-3PC)	\$83	A
97-100004-15	Power Supply, 90-264 VAC,+24VDC USA /Euro Plug (only for IC-332 or connect 210)	\$138	A
97-000003-01	QX Power Supply, 24V, M12 12 pin Socket, 1.3m cable, USA /Euro Plug	\$121	A
97-000003-02	QX Power Supply, 24V, M12 12 pin Plug, 1.3m cable, USA /Euro Plug	\$121	A

## Connectivity Box

Part Number	Description	List Price	Type
FIS-0210-0001G	MS-Connect 210,Connectivity Box with Display	\$849	A
FIS-0210-0002G	MS-Connect 210,Connectivity Box	\$549	A
FIS-0210-0003G	MS-Connect 210,Connectivity Box with Display and Ethernet	\$949	A
FIS-0210-0004G	MS-Connect 210,Connectivity Box with Ethernet	\$849	A
61-000122-01	Cable, To MS-Connect 210, Host RS-422/485 for Multidrop, 6 ft	\$110	A
61-000123-01	Cable, To MS-Connect 210, Host/AUX RS-232, for Daisy Chain 210 to 210, 6 ft	\$110	A
61-000127-02	Cable, MS-2 to MS-Connect 210, 6 ft	\$110	A
61-000066-02	Cable coiled, MS-Connect 210 to MS-Q, (must be stripped by user before wiring)	\$88	A
61-000105-01	Cable, Pre-stripped to 9pin host cable, 6 ft	\$30	A
98-000013-04	Relay Module,120VAC,3 Amp Output,Series 70,Type SM,for MS-Connect 210 + MS-890	\$52	A
98-000013-05	Relay Module,240VAC,3 Amp Output,Series 70,Type SM for MS-Connect 210 + MS-890	\$52	A
98-000013-06	Relay Module, 24VDC, 3 Amp Output, Series 70, Type SM for MS-Connect 210	\$52	A
98-000093-01	Kit, DIN Rail Mounting, MS-Connect 210	\$50	A
61-000158-03	QX Cordset, M12 12pin Plug & M12 12pin Socket to MS-Connect 210 (RS-232), 2m	\$248	A
61-000158-04	QX Cordset, M12 12pin Plug & M12 12pin Socket to MS-Connect 210 (RS-422), 2m	\$225	A

## Interface Boxes

Part Number	Description	List Price	Type
98-000014-02	KIT, IB-131/MS-820 CONNECTIVITY	\$193	A
99-000018-01	IB-131, Interface Box	\$165	A
98-000040-02	Cable, Interface and reader, 6 ft, IB-150	\$193	A
99-000009-02	Interconnectivity, IB-151, RS-232 - Ethernet TCP/IP	\$110	A
98-000039-02	KIT, IB-152	\$138	A
FIS-0001-0035G	Converter, IC-332, 24V/5V,Opto I/O, use with IB-131	\$165	A
98-000051-01	Kit, Conversion, IC-3USB, USB	\$83	A
FIS-0001-0030G	IB-3PC Keyboard Wedge/Interface Box	\$110	A
99-420003-04	ACCESSORY,WIRING 1PC BOX,IB-890,ETHERNET	\$330	A
98-000103-02	ACCESSORY, QX-1	\$195	A
61-000204-01	Cable, Power Smart Series to QX-1	\$204	A

\*Part is not RoHS compliant.

## Mounting Components

Part Number	Description	List Price	Type
<b>Mounting Arm Kits</b>			
98-000016-01	Kit, Mounting Arm/Adapter, MS-820/QX-830/QX-870, 6 inch	\$99	A
98-000017-01	KIT,MOUNTING STAND,IB-890/IB890,6"	\$99	A
98-000018-01	Kit, Mounting Arm/Adapter, MS-890, 6 inch	\$99	A
98-000019-01	KIT,MOUNTING STAND,MS-911,6"	\$99	A
98-000020-01	KIT,MOUNTING STAND,QUADRUS,6"	\$99	A
98-000048-01	Kit, Mounting Arm/Adapter 4 inch, MS-2, MS-3	\$77	A
<b>Extension Arm Kits</b>			
98-000037-01	KIT, EXTENSION, ALL SCANNERS, 6 INCH	\$61	A
98-000053-01	KIT,MOUNTING EXTENSION,MS-3, 4"	\$39	A
98-000053-02	KIT,MOUNTING EXTENSION,MS-3,3"	\$39	A
<b>Base Plates</b>			
98-000046-01	Kit, Base Plate	\$44	A
98-000054-01	KIT,MOUNTING STAND BASE PLATE,MS-3	\$33	A
<b>Standard Mounting Plates</b>			
98-000092-01	or pt 25 when released	\$22	A
98-500006-01	KIT, MTG PLATE, MS-710	\$22	A
98-200037-01	KIT,MOUNTING PLATE,MS-880	\$44	A
98-000060-01	Kit, Bracket, Side Mount, MS-2, MS-3	\$22	A
98-000059-01	KIT,BRACKET,ANGLE MOUNT,MS-3	\$22	A
98-000057-02	KIT,BRACKET,THRU HOLE MNT,SMALL SCANNER	\$22	A

\* Through-hole mounting plate; not for use with mounting arm.

## Software / Manuals

Part Number	Description	List Price	Type
37-000010-01	TOOLS DRIVE, User Documentation, Software	\$30	A
37-000003-01	EZ Trax Software	\$500	A

## Protocol Box/Card

Part Number	Description	List Price	Type
20-500013-01	BOX,INTERFACE,DEVICENET,Brand Label	\$655	A

# MICROSCAN.

## Vision MINI Smart Camera



**Integrated Lighting**  
**Standard and High Density Models**  
**SXGA CMOS 1.3 MP mono**  
**QXGA CMOS 3.0 MP color**  
**WVGA CMOS 0.4 MP mono**  
**USB or Serial\*\***  
**IP-54**  
**+5VDC**  
**AutoVISION Software\***  
**Supports AutoVISION and Visionscape Software**



\*Color models are only supported by Visionscape

\*\* Serial requires optional adapter

\*\*Important Pricing Discount Note\*\* Product discounts are applied based on the Product TYPE as indicated in the TYPE column of each price sheet.

Two (2) Product Types are defined as follows: P = PRODUCT Discount or A = ACCESSORY Discount.

Refer to your Partner Agreement for the actual discount percentage by Product Type.

\*\*\* Verification and OCV options available from Jan 2013

\*\*\*\* Verification calibration card not included in verification license

### Vision MINI Smart Camera - 1.3 MP SXGA (1280 x 1024)

Part Number	Description	List Price	Type
GMV-6300-2110G	VisionMini smart camera, SXGA Mono, Standard density, Autovision RS232/USB	\$1,990	P
GMV-6300-2210G	VisionMini smart camera, SXGA Mono, High density, Visionscape+AV, RS232/USB	\$1,990	P
GMV-6300-2112G	VisionMini smart camera, SXGA Mono, Standard density, Visionscape+AV, RS232/USB	\$2,490	P
GMV-6300-2212G	VisionMini smart camera, SXGA Mono, High density, Autovision RS232/USB	\$2,490	P
GMV-6300-2114G	VisionMini smart camera, SXGA Mono, Standard density, Verification +AV RS232/USB	\$2,390	P
GMV-6300-2214G	VisionMini smart camera, SXGA Mono, High density, Verification+AV, RS232/USB	\$2,390	P
GMV-6300-2116G	VisionMini smart camera, SXGA Mono, Standard density, Verification+AV+VS RS232/U	\$2,890	P
GMV-6300-2216G	VisionMini smart camera, SXGA Mono, High density, Verification+VS+AV RS232/USB	\$2,890	P

### Vision MINI Smart Camera - 0.4 MP WVGA (752 x 480)

Part Number	Description	List Price	Type
GMV-6300-2100G	VISIONMINI,USB,SD,WVGA,AUTOVISION	\$1,990	P
GMV-6300-2200G	VISIONMINI,USB,HD,WVGA,AUTOVISION	\$1,990	P
GMV-6300-2102G	VISIONMINI,USB,SD,WVGA,AV+VSCAPE	\$2,490	P
GMV-6300-2202G	VISIONMINI,USB,HD,WVGA,AV+VSCAPE	\$2,490	P
GMV-6300-2104G	VisionMini smart camera, WVGA Mono, Standard density, Verification +AV RS232/USB	\$2,390	P
GMV-6300-2204G	VisionMini smart camera, WVGA Mono, High density, Verification+AV, RS232/USB	\$2,390	P
GMV-6300-2106G	VisionMini smart camera, WVGA Mono, Standard density, Verification+AV+VS RS232/U	\$2,890	P
GMV-6300-2206G	VisionMini smart camera, WVGA Mono, High density, Verification+VS+AV RS232/USB	\$2,890	P

### Vision MINI Smart Camera - 3 MP Color QXGA (2048 x 1536)

Part Number	Description	List Price	Type
GMV-6300-2172G	VisionMini smart camera, QXGA Color, Standard density, Autovision RS232/USB	\$2,990	P
GMV-6300-2272G	VisionMini smart camera, QXGA Color, High density, Visionscape+AV, RS232/USB	\$2,990	P

The GMV-6300-2272G and GMV-6300-2172G are smart cameras with 3.0 MPixel color sensors. They are not detected and listed as cameras that can be connected and programmed by AutoVISION. They are detected and listed by Visionscape which is required for programming and monitoring.

### Software

Part Number	Description	List Price	Type
98-000217-01	AutoVISION to Visionscape license upgrade	\$500	A
98-000217-02	AutoVISION / Visionscape Verification & OCV license Upgrade	\$400	A
98-000217-03	AutoVISION to Visionscape Upgrade with Verification & OCV license	\$900	A

### Verification Calibration Card

Part Number	Description	List Price	Type
98-000265-01	AutoVISION Verification calibration card with NIST traceable measurement report	\$475	A
98-000265-02	AutoVISION Verification calibration card	\$225	A

# MICROSCAN.

## Accessories

Part Number	Description	List Price	Type
98-000215-01*	Demo Kit, AutoVISION, supports Vision MINI and Vision HAWK (cameras excluded)	\$595	A
FIS-0210-0001G	MS-Connect 210,Connectivity Box with Display	\$849	A
FIS-0210-0002G	MS-Connect 210,Connectivity Box	\$549	A
FIS-0210-0003G	MS-Connect 210,Connectivity Box with Display and Ethernet	\$949	A
FIS-0210-0004G	MS-Connect 210,Connectivity Box with Ethernet	\$849	A
98-000013-04	Relay Module,120VAC,3 Amp Output,Series 70,Type SM,for MS-Connect 210 + MS-890	\$52	A
98-000013-05	Relay Module,240VAC,3 Amp Output,Series 70,Type SM for MS-Connect 210 + MS-890	\$52	A
98-000013-06	Relay Module, 24VDC, 3 Amp Output, Series 70, Type SM for MS-Connect 210	\$52	A
61-000127-02	Cable, MS-2 to MS-Connect 210, 6 ft	\$110	A
FIS-0001-0035G	Converter, IC-332, 24V/5V,Opto I/O, use with IB-131	\$165	A
99-000018-01	IB-131, Interface Box	\$165	A
98-000039-02	KIT, IB-152	\$138	A
61-300026-03	Cable, Communication, DB-25 Plug to DB-9 Socket, 6 ft	\$33	A
61-100029-03	Cable, Daisy Chain, IB-131	\$33	A
20-500013-01**	BOX,INTERFACE,DEVICENET,Brand Label	\$655	A
61-000011-02	Extension Cable, Reader to IB-131 (MS-2,3 4,9 710,820 and MINI)	\$33	A
98-000098-01	Kit, Quadrus MINI Diffuser	\$55	A

\*\* Works with IB-131. <sup>1</sup> Part is not RoHS compliant.

\* This Demo Kit does not contain a reader and is discounted 25%. The separately purchased reader is discounted 60%.

## Vision MINI Accessories Continued

### Power Supply

Part Number	Description	List Price	Type
97-100004-15	Power Supply, 90-264 VAC,+24VDC USA /Euro Plug (only for IC-332 or connect 210)	\$138	A

## Mounting and Connectors

Part Number	Description	List Price	Type
98-000048-01	Kit, Mounting Arm/Adapter 4 inch, MS-2, MS-3	\$77	A
98-000054-01	KIT,MOUNTING STAND BASE PLATE,MS-3	\$33	A
98-000053-01	KIT,MOUNTING EXTENSION,MS-3, 4"	\$39	A
98-000053-02	KIT,MOUNTING EXTENSION,MS-3,3"	\$39	A
98-000060-01	Kit, Bracket, Side Mount, MS-2, MS-3	\$22	A
98-000059-01	KIT,BRACKET,ANGLE MOUNT,MS-3	\$22	A
98-000057-02	KIT,BRACKET,THRU HOLE MNT,SMALL SCANNER	\$22	A
98-000088-01	Kit, Right Angle Mirror,MS-4/Mini	\$55	A
20-610024-01	Trigger Conn,4pin Plug (screw term and field wireable for custom wiring IB-131)	\$33	A
20-610020-01	Pwr Conn,3pin Sckt (screw term and field wireable for custom wiring into IB-131)	\$33	A
99-000055-01	ACCESSORY, BRACKET, DOAL 50 to MINI	\$253	A
99-000057-01	Accessory, Bracket, DOAL 75 Smartlite to VisionMini and MiniHawk	\$253	A
99-000059-01	Accessory, Bracket, DOAL 100 Smartlite to VisionMini and MiniHawk	\$253	A
99-000053-01	Accessory, Bracket,R-60/70 Smartlite to VisionMini and MiniHawk	\$138	A
99-000054-01	Accessory, Bracket,R-100 Smartlite to VisionMini and MiniHawk	\$138	A

## Package Detector/Sensor

Part Number	Description	List Price	Type
99-000017-01	Photo Sensor, Visible NPN, DARK ON	\$193	A
99-000017-02	Photo Sensor, Visible, NPN, LIGHT ON (for use with IB-131)	\$193	A
99-000019-01	Photo Sensor, Visible, NPN, Light On, 5VDC	\$193	A

## Software/Manuals

Part Number	Description	List Price	Type
37-000010-01	TOOLS DRIVE, User Documentation, Software	\$30	A

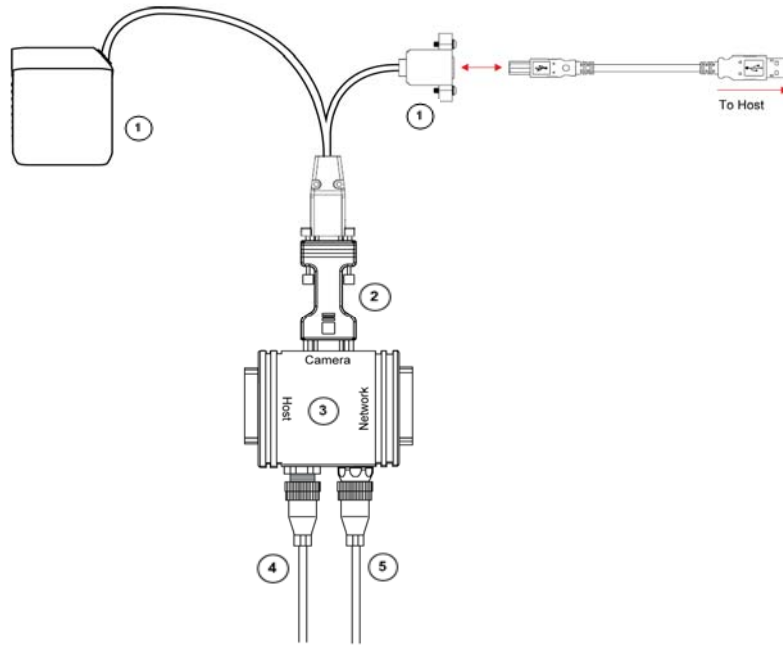
\* 1 free per order.



## Tech Reference *Vision MINI*

### Stand Alone USB

A single reader is connected directly to the host via USB.



### System Matrix

Item	Part Number	Description	List Price
1	GMV-6300-2XXXG	Vision MINI Smart Camera and Included Cables	Varies
2	FIS-0001-0035G	IC-332	\$165
3	99-000018-01	Interface Module	\$165
4	97-100004-15	Power Supply, 90-264 VAC, 24VDC USA /Euro Plug	\$138
5	99-000017-01	Photo Sensor, Visible, NPN, DARK ON	\$193
	37-000010-01	TOOLS DRIVE: User Documentation, Software	\$30

# MICROSCAN

## Vision HAWK Industrial Smart Camera



**Integrated Lighting**  
**WVGA CMOS mono**  
**SXGA CCD mono**  
**WUXGA Mono**  
**C-Mount Configurations**  
**Ethernet and Serial Connectivity**  
**IP-67**  
**5 - 28 VDC**  
**AutoVISION Software**  
**Supports AutoVISION and Visionscape Software**



**\*\*Important Pricing Discount Note\*\*** Product discounts are applied based on the Product TYPE as indicated in the TYPE column of each price sheet.

Two (2) Product Types are defined as follows: P = PRODUCT Discount or A = ACCESSORY Discount.

Refer to your Partner Agreement for the actual discount percentage by Product Type.

\*\*\* Verification and OCV options available from Jan 2013

\*\*\*\* Verification calibration card not included in verification license

### Vision HAWK Smart Camera WVGA (752 x 480)

Part Number	Description	List Price	Type
GMV-6800-1010G	Vision HAWK smart camera, WVGA Mono, C-mount,AutoVISION	\$3,190	P
GMV-6800-1110G	Vision HAWK smart camera, WVGA Mono, 15°,AutoVISION	\$3,390	P
GMV-6800-1210G	Vision HAWK smart camera, WVGA Mono, 30°,AutoVISION	\$3,390	P
GMV-6800-1310G	Vision HAWK smart camera, WVGA Mono, 45°,AutoVISION	\$3,390	P
GMV-6800-1012G	Vision HAWK smart camera, WVGA Mono, C-mount,Visionscape+AV	\$3,690	P
GMV-6800-1112G	Vision HAWK smart camera, WVGA Mono, 15°,Visionscape+AV	\$3,890	P
GMV-6800-1212G	Vision HAWK smart camera, WVGA Mono, 30°,Visionscape+AV	\$3,890	P
GMV-6800-1312G	Vision HAWK smart camera, WVGA Mono, 45°,Visionscape+AV	\$3,890	P
GMV-6800-1014G	Vision HAWK smart camera, WVGA Mono, C-mount,AutoVISION+Verification/OCV	\$3,590	P
GMV-6800-1114G	Vision HAWK smart camera, WVGA Mono, 15°,AutoVISION+Verification/OCV	\$3,790	P
GMV-6800-1214G	Vision HAWK smart camera, WVGA Mono, 30°,AutoVISION+Verification/OCV	\$3,790	P
GMV-6800-1314G	Vision HAWK smart camera, WVGA Mono, 45°,AutoVISION+Verification/OCV	\$3,790	P
GMV-6800-1016G	Vision HAWK smart camera, WVGA Mono, C-mount,Visionscape+AV+Verification/OCV	\$4,090	P
GMV-6800-1116G	Vision HAWK smart camera, WVGA Mono, 15°,Visionscape+AV+Verification/OCV	\$4,290	P
GMV-6800-1216G	Vision HAWK smart camera, WVGA Mono, 30°,Visionscape+AV+Verification/OCV	\$4,290	P
GMV-6800-1316G	Vision HAWK smart camera, WVGA Mono, 45°,Visionscape+AV+Verification/OCV	\$4,290	P

### Vision HAWK Smart Camera 1.2MP SXGA (1280 960)

Part Number	Description	List Price	Type
GMV-6800-1000G	Vision HAWK smart camera, SXGA Mono, C-mount, AutoVISION	\$3,390	P
GMV-6800-1100G	Vision HAWK smart camera, SXGA Mono, 15°,AutoVISION	\$3,590	P
GMV-6800-1200G	Vision HAWK smart camera, SXGA Mono, 15°,AutoVISION	\$3,590	P
GMV-6800-1300G	Vision HAWK smart camera, SXGA Mono, 45°,AutoVISION	\$3,590	P
GMV-6800-1002G	Vision HAWK smart camera, SXGA Mono, C-mount,Visionscape+AV	\$3,890	P
GMV-6800-1102G	Vision HAWK smart camera, SXGA Mono, 15°,Visionscape+AV	\$4,090	P
GMV-6800-1202G	Vision HAWK smart camera, SXGA Mono, 15°,Visionscape+AV	\$4,090	P
GMV-6800-1302G	Vision HAWK smart camera, SXGA Mono, 45°,Visionscape+AV	\$4,090	P
GMV-6800-1004G	Vision HAWK smart camera, SXGA Mono, C-mount,AutoVISION+Verification/OCV	\$3,790	P
GMV-6800-1104G	Vision HAWK smart camera, SXGA Mono, 15°,AutoVISION+Verification/OCV	\$3,990	P
GMV-6800-1204G	Vision HAWK smart camera, SXGA Mono, 15°,AutoVISION+Verification/OCV	\$3,990	P
GMV-6800-1304G	Vision HAWK smart camera, SXGA Mono, 45°,AutoVISION+Verification/OCV	\$3,990	P
GMV-6800-1006G	Vision HAWK smart camera, SXGA Mono, C-mount,Visionscape+AV+Verification/OCV	\$4,290	P
GMV-6800-1106G	Vision HAWK smart camera, SXGA Mono, 15°,Visionscape+AV+Verification/OCV	\$4,490	P
GMV-6800-1206G	Vision HAWK smart camera, SXGA Mono, 15°,Visionscape+AV+Verification/OCV	\$4,490	P
GMV-6800-1306G	Vision HAWK smart camera, SXGA Mono, 45°,Visionscape+AV+Verification/OCV	\$4,490	P

# MICROSCAN

## Vision HAWK Smart Camera 2MP WUXGA (2048 x 1088)

Part Number	Description	List Price	Type
GMV-6800-1030G	Vision HAWK smart camera, WUXGA Mono, C-mount, AutoVISION	\$4,490	P
GMV-6800-1032G	Vision HAWK smart camera, WUXGA Mono, C-mount, Visionscape+AV	\$4,990	P
GMV-6800-1034G	Vision HAWK smart camera, WUXGA Mono, C-mount,AutoVISION+Verification/OCV	\$4,890	P
GMV-6800-1036G	Vision HAWK smart camera, WUXGA Mono, C-mount, Visionscape+AV+Verification/OCV	\$5,390	P

## Software

Part Number	Description	List Price	Type
98-000217-01	AutoVISION to Visionscape license upgrade	\$500	A
98-000217-02	AutoVISION / Visionscape Verification & OCV license Upgrade	\$400	A
98-000217-03	AutoVISION to Visionscape Upgrade with Verification & OCV license	\$900	A

## Verification Calibration Card

Part Number	Description	List Price	Type
98-000265-01	AutoVISION Verification calibration card with NIST traceable measurement report	\$475	A
98-000265-02	AutoVISION Verification calibration card	\$225	A

## Accessories

Part Number	Description	List Price	Type
98-000143-01	KIT, ADAPTER PLATE, QX HAWK	\$55	A
98-000144-01	KIT, RA MIRROR, QX HAWK	\$85	A
98-000146-01	KIT, WINDOW REPLACEMENT, QX HAWK	\$35	A
98-000147-01	15° Lens kit, QX Hawk	\$135	A
98-000147-02	30° Lens kit, QX Hawk	\$135	A
98-000147-03	45° Lens kit, QX Hawk	\$135	A
98-000205-01	KIT,FRONT COVER,GLASS,IR COATING,QX HWK	\$135	A
98-000206-01	QX-Hawk glass window kit	\$70	A
98-000262-01	White LED illumination kit, QX Hawk/Vision HAWK	\$350	A
98-000215-01*	Demo Kit, AutoVISION, supports Vision MINI and Vision HAWK (cameras excluded)	\$595	A

\* This Demo Kit does not contain a reader and is discounted 25%. The separately purchased reader is discounted 60%.

## Vision HAWK C-Mount Accessories

### Accessories

Part Number	Description	List Price	Type
98-92800471	LENS,C-CS MOUNT ADAPTER (5MM EXT.)	\$40	A
98-CO206	Lens extension tube set 0.5, 1, 5, 10, 20, 40mm	\$145	A
98-92800571	Lens 8mm F/1.4-16, Front thread 25.5mm P 0.5mm, 2/3" C-mount	\$385	A
98-000257-01	LENS 12.5MM F/1-4-16,FT 25.5MM, C-MOUNT	\$415	A
98-000258-01	LENS 16MM F/1-4-16,FT 25.5MM, C-MOUNT	\$415	A
98-000259-01	LENS 25MM F/1-4-16,FT 25.5MM, C-MOUNT	\$415	A
98-92800575	LENS,35MM,F2.1-22,2/3" C-MOUNT	\$385	A
98-92800576	LENS,50MM,F2.8-22,2/3" C-MOUNT	\$385	A
98-92800577	LENS,75MM,F3.9-32,2/3" C-MOUNT	\$385	A
98-92800311	LENS,SKYLIGHT UV FILTER 25.5MM	\$75	A
98-92800371	LENS, FILTER POLARIZING 25.5MM P0.5	\$100	A
98-000218-01	Lens protection housing, standard length (up to 48mm)	\$338	A
98-000226-01	Lens protection housing, long (up to 72mm)	\$354	A

# MICROSCAN

## Vision HAWK Accessories Continued

### QX-1 and Cordsets

Part Number	Description	List Price	Type
98-000103-02	ACCESSORY, QX-1	\$195	A
61-000148-01	QX Cordset,Common,M12 12 Pin,Socket (Ultralock)to M12 12 Pin,Plug(Ultralock),3M	\$80	A
61-000148-02	QX Cordset,Common,M12 12 Pin,Socket(Screw-on) to M12 12 Pin Plug (Screw-on),3M	\$80	A
61-000162-01	QX Cordset,Common,M12 12 Pin,Socket(Ultralock)to M12 12 Pin,Plug (Ultralock),1M	\$80	A
61-000162-02	QX Cordset,Common,M12 12 Pin,Socket (Screw-on) to M12 12 Pin Plug (Screw-on),1M	\$74	A
61-000153-01	QX Cordset,Host,Serial,M12 12 Pin Socket (Ultralock) to DB9 Socket,1M	\$80	A
61-000153-02	QX Cordset,Host,Serial,M12 12 pin Socket (Screw-on) to DB9 Socket,1M	\$74	A
61-000164-01	QX Cordset,Host,Serial,M12 12 pin Socket (Ultralock) to DB9 Socket,3M	\$85	A
61-000164-02	QX Cordset,Host,Serial,M12 12 pin Socket (Screw-on) to DB9 Socket,3M	\$80	A
61-000152-01	QX Cordset,Host,Serial M12 12 pin Plug (Ultralock) to DB9 Socket,1M	\$80	A
61-000152-02	QX Cordset,Host,Serial,M12 12 pin Plug (Screw-on) to DB9 Socket,1M	\$74	A
61-000165-01	QX Cordset,Host,Serial M12 12 pin Plug (Ultralock) to DB9 Socket,3M	\$85	A
61-000165-02	QX Cordset,Host,Serial M12 12 pin Plug (Screw-on) to DB9 Socket,3M	\$85	A
61-000163-01	QX Cordset,Host,Ethernet,M12 8 pin Plug (Ultralock) to RJ45,3M	\$85	A
61-000163-02	QX Cordset,Host,Ethernet,M12 8 pin Plug (Screw-on) to RJ45,3M	\$85	A
61-000160-01	QX Cordset,Host,Ethernet,M12 8 pin Plug (Ultralock) to RJ45,1M	\$80	A
61-000160-02	QX Cordset,Host,Ethernet,M12 8 pin Plug (Screw-on) to RJ45,1M	\$74	A
61-000161-01	QX Cordset,M12 12 pin Plug (Ultralock) to MS-5100,3M	\$85	A
61-000161-02	QX Cordset,M12 12 pin Plug (Screw-on) to MS-5100,3M	\$80	A
61-000172-01	QX Cordset,M12 12 pin Plug(Ultralock)to M12 12 pin Socket(Ultralock)to DB25 Plug	\$285	A
61-000158-03	QX Cordset, M12 12pin Plug & M12 12pin Socket to MS-Connect 210 (RS-232), 2m	\$248	A
61-000158-04	QX Cordset, M12 12pin Plug & M12 12pin Socket to MS-Connect 210 (RS-422), 2m	\$225	A
61-000166-01	QX Cordset,M12 12 Pin Plug (Ultralock) to Flying Leads,3M	\$85	A
61-000166-02	QX Cordset,M12 12 Pin Plug(Screw-on) to Flying Leads,3M	\$80	A
61-000167-01	QX Cordset,M12 12 Pin Socket (Ultralock) to Flying Leads,3M	\$85	A
61-000167-02	QX Cordset,M12 12 Pin Socket(Screw-on) to Flying Leads,3M	\$80	A
FIS-0210-0001G	MS-Connect 210,Connectivity Box with Display	\$849	A
FIS-0210-0002G	MS-Connect 210,Connectivity Box	\$549	A
FIS-0210-0003G	MS-Connect 210,Connectivity Box with Display and Ethernet	\$949	A
FIS-0210-0004G	MS-Connect 210,Connectivity Box with Ethernet	\$849	A
98-000013-04	Relay Module,120VAC,3 Amp Output,Series 70,Type SM,for MS-Connect 210 + MS-890	\$52	A
98-000013-05	Relay Module,240VAC,3 Amp Output,Series 70,Type SM for MS-Connect 210 + MS-890	\$52	A
98-000013-06	Relay Module, 24VDC, 3 Amp Output, Series 70, Type SM for MS-Connect 210	\$52	A
61-000204-01	Cable, Power Smart Series to QX-1	\$204	A
61-000207-01	ASSY,CABLE,SMART SERIES TO QX-1 ON/OFF	\$230	A
61-000218-01	ASSY,CBL,SMART SERIES TO QX-1,STROBE,NPN	\$130	A

Strobe is available on C-Mount Vision HAWK only

### Power Supplies

Part Number	Description	List Price	Type
97-000003-01	QX Power Supply, 24V, M12 12 pin Socket, 1.3m cable, USA /Euro Plug	\$121	A
97-000003-02	QX Power Supply, 24V, M12 12 pin Plug, 1.3m cable, USA /Euro Plug	\$121	A

# MICROSCAN.

## Package Detector/Sensor

Part Number	Description	List Price	Type
99-00020-02	QX Photo sensor, M12 4pin Plug, NPN, Dark On, 2m	\$193	A
99-00020-01	QX Photo sensor, M12 4pin Plug, NPN, Dark Off, 2m	\$193	A

## Mounting and Connectors

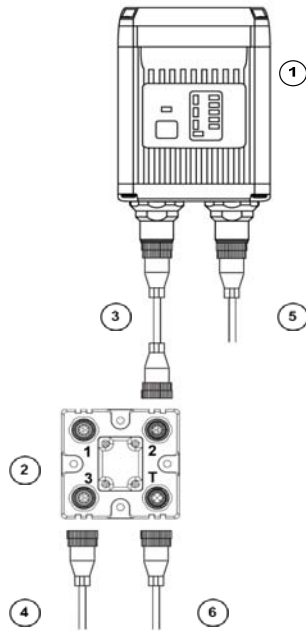
Part Number	Description	List Price	Type
61-000166-01	QX Cordset,M12 12 Pin Plug (Ultralock) to Flying Leads,3M	\$85	A
61-000167-01	QX Cordset,M12 12 Pin Socket (Ultralock) to Flying Leads,3M	\$85	A
20-610024-01	Trigger Conn,4pin Plug (screw term and field wireable for custom wiring IB-131)	\$33	A
98-500006-01	KIT, MTG PLATE, MS-710	\$22	A
98-000037-01	KIT, EXTENSION, ALL SCANNERS, 6 INCH	\$61	A
98-000054-01	KIT,MOUNTING STAND BASE PLATE,MS-3	\$33	A
98-000016-01	Kit, Mounting Arm/Adapter, MS-820/QX-830/QX-870, 6 inch	\$99	A
99-000056-01	Accessory, Bracket, DOAL 50 smartlite to VisionHawk and QX-Hawk	\$253	A
99-000058-01	Accessory, Bracket, DOAL 75 smartlite to VisionHawk and QX-Hawk	\$253	A
99-000060-01	Accessory, Bracket, DOAL 100 smartlite to VisionHawk and QX-Hawk	\$253	A
99-000050-01	Accessory, Bracket,R-100 smartlite to VisionHawk and QX-Hawk	\$138	A
99-000052-01	Accessory, Bracket,R-60/70 smartlite to VisionHawk and QX-Hawk	\$138	A
99-000061-01	Accessory, Bracket, DOAL smartlite to C-mount VisionHawk and QX-Hawk	\$253	A
99-000049-01	Accessory, Bracket,R-100 smartlite to C-mount VisionHawk and QX-Hawk	\$138	A
99-000051-01	Accessory, Bracket,R-60/70 smartlite to C-mount VisionHawk and QX-Hawk	\$138	A
98-000148-01	KIT, L BRACKET, QX SERIES	\$45	A

\* Though-hole mounting plate; not for use with mounting arm.

## Software/Manuals

Part Number	Description	List Price	Type
37-000010-01*	TOOLS DRIVE, User Documentation, Software	\$30	A

\*One free per order



### System Matrix

Item	Part Number	Description	List Price
1	GMV-6800-1XXXG	Vision Hawk Smart Camera	Varies
2	98-000103-02	QX-1 Interface Device	\$195
3	61-000162-01	QX Cordset, Common, M12 12-pin Plug to M12 12-pin Socket, 1m *	\$80
4	97-000003-01	QX Power Supply, M12 12-pin Socket, 1.3m	\$121
5	61-000160-01	QX Cordset, Host, Ethernet, M12 8-pin Plug to RJ45, 1m *	\$80
6	99-000020-02	QX Photo Sensor, M12 4-pin Plug, NPN, Dark On, 2m	\$193
	37-000010-01	TOOLS DRIVE: User Documentation, Software	\$30

\* Cordsets available in multiple lengths

# MICROSCAN

## Visionscape GigE Solution

### Rapid Application Development

Up to 8 Microscan GigE Cameras  
Consult factory for 3rd party GigE Camera support

### Flexible IO

PC Based discrete IO  
Strobe and Trigger at camera

### Out of Box Experience

Evaluation and Off-Line Programming is license free

### Platforms and Customization

XP and Vista  
Microsoft Visual Studio 6 and .NET



**\*\*Important Pricing Discount Note\*\*** Product discounts are applied based on the Product TYPE as indicated in the TYPE column of each price sheet.

Two (2) Product Types are defined as follows: P = PRODUCT Discount or A = ACCESSORY Discount.

Refer to your Partner Agreement for the actual discount percentage by Product Type.

#### Visionscape Software

Part Number	Description	List Price	Type
GMV-VGL0-0DD1	VISIONSCAPE GIGE LICENSE 32/64 BIT	\$2,500	P
GMV-VGL0-1DD1	VS GIGE LICENSE 32/64 BIT W/INTELLIFIND	\$2,895	P
GMV-VGL1-1DD1	VS GIGE LICENSE 32/64 BIT W/INT & 1 CMRA	\$3,645	P
GMV-VGL2-1DD1	VS GIGE LCE 32/64 BIT W/INT & 2 CAMERA	\$4,395	P
GMV-VGL4-1DD1	VS GIGE LICENSE 32/64 BIT W/ INT & 4 CMR	\$5,895	P
GMV-VGL8-1DD1	VS GIGE LCS 32/64 BIT W/INT & 8 CAMERA	\$8,895	P

#### GigE Cameras

Part Number	Description	List Price	Type
98-000115-01	Visionscape GiGe camera, VGA Mono, CMG03, 656x494 pixels CCD	\$1,200	A
98-000116-01	Visionscape GiGe camera, 0.3MP Color, CMG03, 656x494 pixels CCD	\$1,200	A
98-000141-01	Visionscape GiGe camera, VGA Mono, CMG03, 656x494 pixels CCD, 1/2" sensor	\$1,600	A
98-000117-01	Visionscape GiGe camera, 0.8MP Mono, CMG08, 1032x776 pixels CCD	\$1,600	A
98-000220-01	Visionscape GiGe camera, 0.8MP Color, CMG08c, 1032x776 pixels CCD	\$1,600	A
98-000118-01	Visionscape GiGe camera, 1.3MP Mono, CMG13, 1392x1040 pixels CCD	\$2,245	A
98-000221-01	Visionscape GiGe camera, 1.3MP Color, CMG13c, 1392x1040 pixels CCD	\$2,245	A
98-000191-01	Visionscape GiGe camera, 1.4MP Mono, CMG14, 1392x1040 pixels CCD	\$3,650	A
98-000119-01	Visionscape GiGe camera, 2MP Mono, CMG20, 1624x1236 pixels CCD	\$2,895	A
98-000189-01	Visionscape GiGe camera, 2MP Color, CMG20C, 1624x1236 pixels CCD	\$2,895	A
98-000120-01	Visionscape GiGe camera, 5MP Mono, CMG50, 2448x2050 pixels CCD	\$4,995	A
98-000190-01	Visionscape GiGe camera, 5MP Color, CMG50C, 2448x2050 pixels CCD	\$4,995	A
98-000230-01	Visionscape GiGe camera, 5MP Color, CMGC50C, 2448x2050 pixels CMOS	\$1,995	A
98-000260-01	Visionscape GiGe camera, 8MP Mono, CMG80, 3296 x 2472 pixels CCD	\$12,495	A
98-000222-01	Visionscape GiGe camera, 5MP Mono, CMGC50, 2448x2050 pixels CMOS	\$1,995	A

# MICROSCAN.

## Accessories

Part Number	Description	List Price	Type
98-000130-01	DIO KIT,VS GigE I/O,CURRENT SINK CONFIG.	\$635	A
98-000142-01	Visionscape GiGe, PCIe I/O card, 16 inputs/16 outputs,PNP, with cable& terminal	\$695	A
98-000140-01	Single Port GigE Network Interface Card PCIe	\$110	A
98-000132-01	DUAL PORT GigE NTWK PCIe INTERFACE CD	\$350	A
98-000131-01	GigE 5 PORT SWITCH	\$110	A
98-000138-01	Visionscape GigE Camera Power Supply 24v, US/EU/UK	\$105	A
98-000126-01	Visionscape GiGe camera, trigger and strobe cable, M8 4 pin, 5m, Open ended	\$85	A
98-000129-01	Visionscape GiGe camera, power cable, M8 3 pin, 5m, Open ended	\$65	A
98-000133-01	CAT6 Ethernet Cable Jack Screws to RJ45 High Flex 2 m	\$75	A
98-000134-01	CAT6 Ethernet Cable Jack Screws to RJ45 High Flex 5 m	\$95	A
98-000139-01**	Visionscape GigE Demo Kit, Licence dongle, CMG03, Power supply, cables, lens	\$4,235	A
98-000199-01*	Visionscape GigE Demo Kit, Licence dongle, no camera, Power supply, cables, lens	\$3,505	A

\*\* Demo Kit contains Camera. Kit is discounted 25%.

\* This Demo Kit does not contain a camera and is discounted 25%. The separately purchased reader is discounted 60%.

## Software/Manuals

Part Number	Description	List Price	Type
37-000010-01*	TOOLS DRIVE, User Documentation, Software	\$30	A

\* 1 free per order.



# MICROSCAN.

## Machine Vision Accessories\*



**\*\*Important Pricing Discount Note\*\*** Product discounts are applied based on the Product TYPE as indicated in the TYPE column of each price sheet.

Two (2) Product Types are defined as follows: P = PRODUCT Discount or A = ACCESSORY Discount.

Refer to your Partner Agreement for the actual discount percentage by Product Type.

### Machine Vision Hardware Accessories

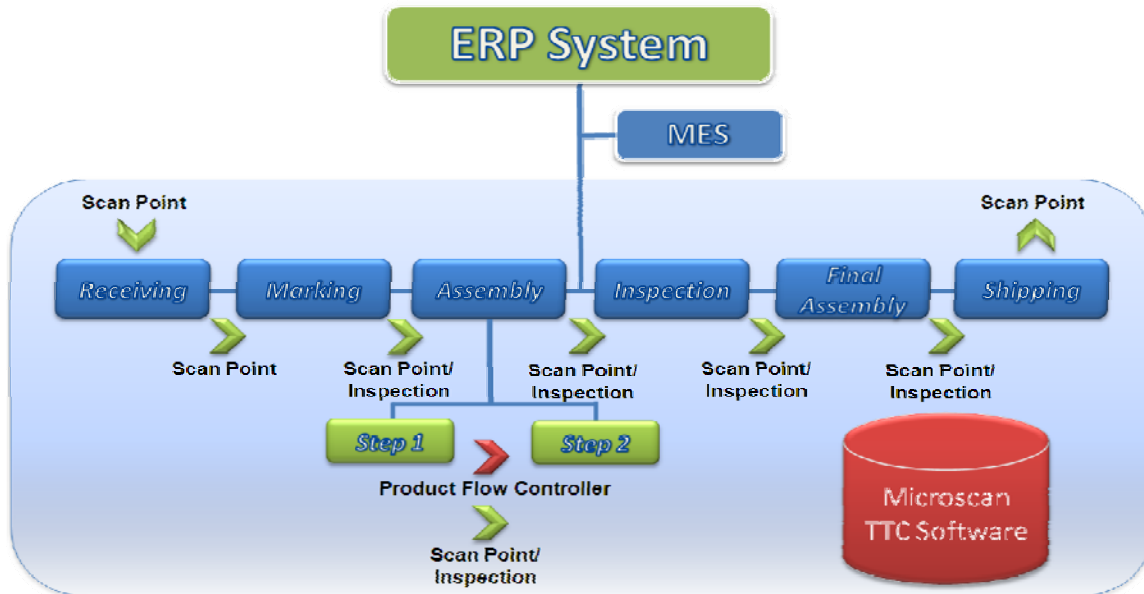
Part Number	Description	List Price	Type
98-A1203701	Mini opto I/O board with pluh & hood	\$600	A
98-97700071	FIBER OPTIC LIGHT GUIDE 1" X 6' LG	\$1,180	A
98-97700061	MODULE, OUTPUT, G4, WATCHDOG TIMER	\$295	A
98-VS00-1SM0	Relay, G4 input module with switch	\$75	A
98-VS00-2SM0	Relay, G4 output module with switch	\$75	A
98-VS08-0EC0	Encode cable for line scan sync	\$180	A
98-VS10-0SM0	Internal PC 10 point I/O and strobe control board	\$600	A
98-VS16-1SM0	Relay, G4 input module 2.5-16VDC	\$50	A
98-VS24-0SM0	External I/O and strobe controller board kit, 24 point	\$1,335	A
98-VS28-1SM0	Relay, G4 input module, 2.5-28VDC (1mS/1.5mS response)	\$50	A
98-VS28-2SM0	Relay, G4 output module, 24-280V AC	\$50	A
98-VS32-1SM0	INPUT MODULE G4 10-32 VDC	\$50	A
98-VS60-2SM0	OUTPUT MODULE G4 5-60V DC	\$50	A
98-001901251	Relay, G4 input module, 180-280 VAC (2ms/20ms)	\$65	A
98-001901256	Relay, G4 output module, 0-100 VDC	\$65	A
98-001904091	Calibration target for 1.87mm x 3.0mm field of view	\$1,395	A
98-001904092	Calibration target for 2.80mm x 4.50mm field of view	\$1,395	A
98-001904093	Calibration target for 4.20mm x 6.75mm field of view	\$1,395	A
98-001904094	Calibration target for 6.34mm x 10.2mm field of view	\$1,395	A
98-001904095	Calibration target for 9.33mm x 15.0mm field of view	\$1,395	A
98-001904096	Calibration target for 14.0mm x 22.5mm field of view	\$1,395	A
98-001904097	Calibration target for 20.5mm x 33.0mm field of view	\$1,395	A
98-001904098	Calibration target for 47.3mm x 76.1mm field of view	\$1,395	A
98-001904099	Calibration target for 63.1mm x 101mm field of view	\$1,395	A
98-001904100	Calibration target for 94.7mm x 152mm field of view	\$1,395	A
98-001904101	Calibration target for 158mm x 254mm field of view	\$1,395	A
98-001904175	Calibration target for 30.8mm x 49.5mm field of view	\$1,395	A

### Machine Vision Optical Accessories

Part Number	Description	List Price	Type
98-92800471	LENS,C-CS MOUNT ADAPTER (5MM EXT.)	\$40	A
98-CO206	Lens extension tube set 0.5, 1, 5, 10, 20, 40mm	\$145	A
98-000257-01	LENS 12.5MM F/1.4-16,FT 25.5MM, C-MOUNT	\$415	A
98-000258-01	LENS 16MM F/1.4-16,FT 25.5MM, C-MOUNT	\$415	A
98-000259-01	LENS 25MM F/1.4-16,FT 25.5MM, C-MOUNT	\$415	A
98-92800571	Lens 8mm F/1.4-16, Front thread 25.5mm P 0.5mm, 2/3" C-mount	\$385	A
98-92800575	LENS,35MM,F2.1-22,2/3" C-MOUNT	\$385	A
98-92800576	LENS,50MM,F2.8-22,2/3" C-MOUNT	\$385	A
98-92800577	LENS,75MM,F3.9-32,2/3" C-MOUNT	\$385	A
98-92800311	LENS,SKYLIGHT UV FILTER 25.5MM	\$75	A
98-92800371	LENS, FILTER POLARIZING 25.5MM P0.5	\$100	A
98-92800372	Polarizing filter, 27.0mm P0.4 thread	\$100	A

# MICROSCAN.

## Track Trace and Control Solutions Factory Monitoring and Traceability Software



**\*\*Important Pricing Discount Note\*\*** Product discounts are applied based on the Product TYPE as indicated in the TYPE column of each price sheet.  
Two (2) Product Types are defined as follows: P = PRODUCT Discount or A = ACCESSORY Discount.  
Refer to your Partner Agreement for the actual discount percentage by Product Type.

Demo Kits		List Price	Type
Part Number	Description		
37-000006-01	Track, Trace and Control Software w/ 10 Scan Points, CD	\$12,455	A
37-000006-02	Track, Trace and Control Software, 10 Additional Scan Points	\$1,245	A

### Electronic Product Flow Controller



Demo Kits		List Price	Type
Part Number	Description		
98-000151-01	Product Flow Controller	\$2,155	A
61-000180-01	Cable, Product Flow Controller to MS-3, MINI	\$85	A
61-000181-01	Cable, Product Flow Controller to QX Products	\$95	A

# MICROSCAN.

## Visionscape I-Pak\*\*



### Visionscape I-PAK

Part Number	Description	List Price	Type
GMV-IP74-0SE2	I-PAK, SE2, PHARMA PACK INSPECTION SYSTEM	\$29,995	P
GMV-IP74-0SK0	I-PAK SK , system kit with Visionscape 0740 board	\$9,345	P
GMV-IP81-0SK0	I-PAK SK, system kit with Visionscape 0800 board	\$9,345	P
GMV-0HF16-0HE1G	VS-1 smart camera, VGA Mono, C-mount, IPAK-HE,	\$4,939	P
GMV-1HF16-0HE1G	VS-1 smart camera, XGA Mono, C-mount, IPAK-HE,	\$6,589	P
GMV-0HF16-0PS1G	VS-1 Pharma Track Trace Kit - VGA Smart Cam, Pharma Light, Lens, Cables, PS	\$7,249	P
GMV-1HF16-0PS1G	VS-1 Pharma Track Trace Kit - XGA Smart Cam, Pharma Light, Lens, Cables, PS	\$8,789	P
GMV-IP16-0HE2	I-PAK HE Pharma Industry 21 CFR part 11 GUI for VS-1 Smart Camera	\$1,095	P

### Visionscape I-PAK Accessories

Part Number	Description	List Price	Type
98-209191	UPS 230VAC, EU universal, with cables for I-PAK SE	\$660	A
98-209181	UPS 120VAC, US, with cables for I-PAK SE	\$660	A
98-209229	I-PAK SE2 Shelf Mount System - Stainless	\$995	A
98-200431	I-PAK SE Tilt and Swivel Floor Stand	\$2,750	A
98-209241	Power cable between PC 677 and UPS, 10m	\$72	A
98-HT00-0LP1G	VS-1 Direct Connect Pharma Light,	\$930	A
98-A1200713	PC Upgrade for Visionscape I-PAK A1-20071 (Single VS0740 Board)	\$14,284	A
98-VS01-0CX0	CAMERA, ANALOG, A33A VGA PROG 640"x494"	\$1,080	A
98-VS31-0CX0	Analog camera, A152A, SXGA Progressive scan	\$2,420	A
98-VS03-1XC0	Hi-res camera video and power cable 10ft/3m (for 98-VS01-0CX0 & 98-VS31-0CX0)	\$335	A
98-VS07-1XC0	Hi-res camera video and power cable 25ft/7.5m (for 98-VS01-0CX0 & 98-VS31-0CX0)	\$370	A
98-VS15-1XC0	CABLE, PROGRESSIVE SCAN CAMERA, 50 FT	\$435	A
98-A1209751	Adapter, CA-XCHM to 98-VS01-0CX0/98-VS31-0CX0 (Cam Upgrade Using Existing Cbl)	\$303	A

### Software/Manuals

Part Number	Description	List Price	Type
37-000010-01*	TOOLS DRIVE, User Documentation, Software	\$30	A

\* 1 free per order.

# MICROSCAN.

## NERLITE® PHARMALITE

**NERLITE® Smart Series Pharma light use HI-BRITE LEDs and feature an integrated strobe controller for easy integration in industrial applications. It can be mounted easily on the QX HAWK, Vision HAWK, Vision MINI, Mini HAWK and GigE cameras without using an additional bracket.**



**\*\*Important Pricing Discount Note\*\* Product discounts are applied based on the Product TYPE as indicated in the TYPE column of each price sheet.**

Two (2) Product Types are defined as follows: P = PRODUCT Discount or A = ACCESSORY Discount.

Refer to your Partner Agreement for the actual discount percentage by Product Type.

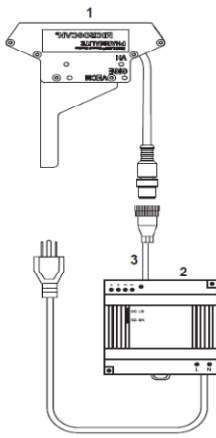
Pharmalite			
Part Number	Description	List Price	Type
98-000228-01	KIT,SMART SERIES PHARMA,WHITE,DARKFIELD	\$995	A
Power Supply Cordsets			
NER-030028300	AC Power Cord for DSPxx Power Supply, US	\$61	A
NER-030028400	AC Power Cord for DSPxx Power Supply, EU	\$61	A
NER-030028500	AC Power Cord for DSPxx Power Supply, UK	\$61	A
61-000186-01	Cable, 5 pin M12 Female To Flying Leads, 3M	\$65	A
61-000187-01	Cable, 5 Pin M12 Female to Flying Leads, 5M	\$75	A
61-000204-01	Cable, Power Smart Series to QX-1	\$204	A
61-000207-01	ASSY,CABLE,SMART SERIES TO QX-1 ON/OFF	\$230	A
61-000218-01	ASSY,CBL,SMART SERIES TO QX-1,STROBE,NPN	\$130	A

Strobe is available on C-Mount Vision HAWK only

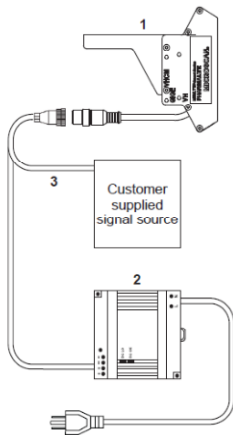
## Tech Reference *Pharmalite*

### Hardware Required

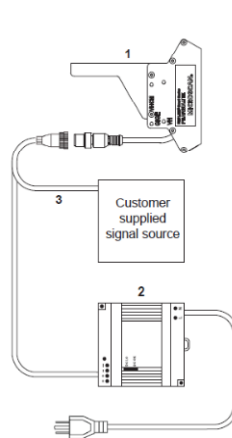
Item	Description	Part Number
1	Smart Series Pharmalite	98-000228-01
2	Power Supply DSP60 24VDC 2.5A DIN Mount	NER-011504100
2	Power Supply DSP100 24VDC 4.2A DIN Mount	97-000006-01
3	Cable 5 Pin M12 Female To Flying Leads, 3M	61-000186-01
3	Cable 5 Pin M12 Female To Flying Leads, 5M	61-000187-01
4	Cable, Power Smart Series to QX-1 Continuous	61-000204-01
4	Cable, Power Smart Series to QX-1 On/Off	61-000207-01



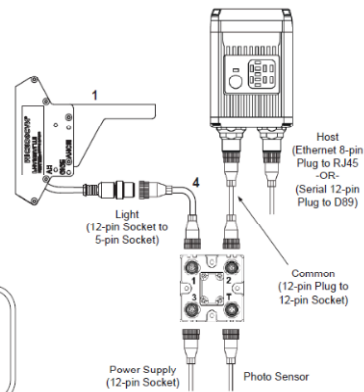
**Figure A**  
Pharmalite Illuminator  
with power supply



**Figure B**  
Pharmalite Illuminator  
with customer supplied  
dimming or on-off  
signal source



**Figure C**  
Pharmalite Illuminator  
with customer supplied  
strobe trigger signal source



**Figure D**  
Pharmalite Illuminator with  
QX-1 Interface Device

# MICROSCAN.

## NERLITE® SMART DOAL® LIGHTS

**NERLITE® Smart Series DOAL lights use HI-Brite LEDs and feature an integrated strobe controller for easy integration in industrial applications.**



**\*\*Important Pricing Discount Note\*\*** Product discounts are applied based on the Product TYPE as indicated in the TYPE column of each price sheet.

Two (2) Product Types are defined as follows: P = PRODUCT Discount or A = ACCESSORY Discount.

Refer to your Partner Agreement for the actual discount percentage by Product Type.

25 mm		
Part Number	Description	List Price Type
NER-011660400G	Nerlite, DOAL 25mm, Red, Smartlite, M12 connector	\$500 P
NER-011660410G	Nerlite, DOAL 25mm, White, Smartlite, M12 connector	\$575 P
NER-011660420G	Nerlite, DOAL 25mm, Blue, Smartlite, M12 connector	\$597 P
NER-011660430G	Nerlite, DOAL 25mm, Infrared, Smartlite, M12 connector	\$715 P
50 mm		
NER-011660500G	Nerlite, DOAL 50mm, Red, Smartlite, M12 connector	\$615 P
NER-011660510G	Nerlite, DOAL 50mm, White, Smartlite, M12 connector	\$870 P
NER-011660520G	Nerlite, DOAL 50mm, Blue, Smartlite, M12 connector	\$906 P
NER-011660530G	Nerlite, DOAL 50mm, Infrared, Smartlite, M12 connector	\$975 P
75 mm		
NER-011660600G	Nerlite, DOAL 75mm, Red, Smartlite, M12 connector	\$1,200 P
NER-011660610G	Nerlite, DOAL 75mm, White, Smartlite, M12 connector	\$1,490 P
NER-011660620G	Nerlite, DOAL 75mm, Blue, Smartlite, M12 connector	\$1,490 P
NER-011660630G	Nerlite, DOAL 75mm, Infrared, Smartlite, M12 connector	\$1,550 P
100 mm		
NER-011660700G	Nerlite, DOAL 100mm, Red, Smartlite, M12 connector	\$1,690 P
NER-011660710G	Nerlite, DOAL 100mm, White, Smartlite, M12 connector	\$2,300 P
NER-011660720G	Nerlite, DOAL 100mm, Blue, Smartlite, M12 connector	\$2,300 P
NER-011660730G	Nerlite, DOAL 100mm, Infrared, Smartlite, M12 connector	\$2,400 P
Power Supply (25, 50 mm )		
NER-011504100	DSP60 24VDC 2.5A DIN Mount Power Supply	\$209 A
97-000006-01	DSP100, 24VDC, 4.2A DIN Mount Power Supply	\$260 A
Power Supply Cordsets and Cables		
NER-030028300	AC Power Cord for DSPxx Power Supply, US	\$61 A
NER-030028400	AC Power Cord for DSPxx Power Supply, EU	\$61 A
NER-030028500	AC Power Cord for DSPxx Power Supply, UK	\$61 A
61-000186-01	Cable, 5 pin M12 Female To Flying Leads, 3M	\$65 A
61-000218-01	ASSY,CBL,SMART SERIES TO QX-1,STROBE,NPN	\$130 A
61-000207-01	ASSY,CABLE,SMART SERIES TO QX-1 ON/OFF	\$230 A
61-000187-01	Cable, 5 Pin M12 Female to Flying Leads, 5M	\$75 A

**Note: For high speed or high intensity applications strobed lights require a light + controller + power supply**

# MICROSCAN.

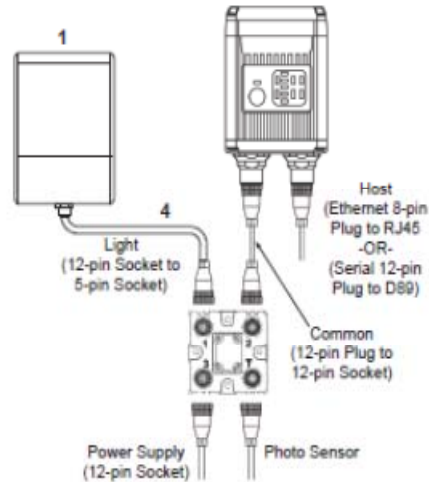
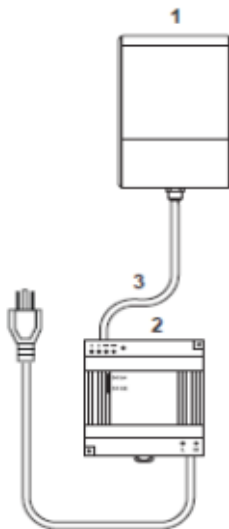
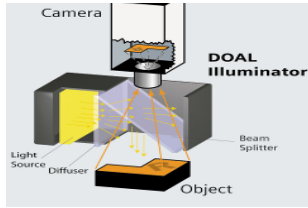
## DOAL Camera Mounting Brackets

99-000055-01	ACCESSORY, BRACKET, DOAL 50 to MINI	\$253	A
99-000056-01	Accessory, Bracket, DOAL 50 smartlite to VisionHawk and QX-Hawk	\$253	A
99-000057-01	Accessory, Bracket, DOAL 75 Smartlite to VisionMini and MiniHawk	\$253	A
99-000058-01	Accessory, Bracket, DOAL 75 smartlite to VisionHawk and QX-Hawk	\$253	A
99-000059-01	Accessory, Bracket, DOAL 100 Smartlite to VisionMini and MiniHawk	\$253	A
99-000060-01	Accessory, Bracket, DOAL 100 smartlite to VisionHawk and QX-Hawk	\$253	A
99-000061-01	Accessory, Bracket, DOAL smartlite to C-mount VisionHawk and QX-Hawk	\$253	A

## Tech Reference *DOAL Lights*

Item	Description	Part #
1	Smart Series DOAL Light	NER-011660XXXG
2	Power Supply DSP60 24VDC 2.4A DIN Mount	NER-011504100
2	Power Supply DSP100 24VDC 4.2A DIN Mount	97-000006-01
3	Cable 5 Pin M12 Female To Flying Leads, 3M	61-000186-01
3	Cable 5 Pin M12 Female To Flying Leads, 5M	61-000187-01
4	Cable, Power Smart Series to QX-1	61-000204-01
5	QX-1 Interface Device	98-000103-02
	Cable, Smart Series to Qx-1, Strobe ,NPN	61-000218-01
	Cable, Smart Series to Qx-1 On/Off	61-000207-01

Note: Configuration does not support Daisy Chaining  
 Powering more than 1 light via the QX-1 will exceed QX-1's current capacity





# MICROSCAN.

## NERLITE® CDI®

CDI's patented optics and integrated sphere technology yield an unrivaled self-contained continuous diffuse



**\*\*Important Pricing Discount Note\*\*** Product discounts are applied based on the Product TYPE as indicated in the TYPE column of each price sheet.

Two (2) Product Types are defined as follows: P = PRODUCT Discount or A = ACCESSORY Discount.

Refer to your Partner Agreement for the actual discount percentage by Product Type.

<b>CDI (Continuous Diffuse Illuminator)</b>			
Part Number	Description	List Price	Type
NER-011252000	Nerlite, CDI 200/75, Red, CDI light, 24V continuous, open end cable	\$3,685	P
NER-011252010	Nerlite, CDI 200/75, White, CDI light, 24V continuous, open end cable	\$3,850	P
<b>Power Supply/Controllers</b>			
NER-011504100	DSP60 24VDC 2.5A DIN Mount Power Supply	\$209	A
98-000152-01*	NL200 Lighting Controller (Front Panel Control Only)	\$803	A
98-000152-02*	NL220 Lighting Controller (Ethernet Control Only)	\$1,155	A
98-000152-03*	NL220F Lighting Controller (Ethernet Control Only with Fast Strobe Capability)	\$1,474	A
<b>Power Supply Cordsets</b>			
030-028300	AC Power Cord for DSPxx Power Supply, US	\$61	A
030-028400	AC Power Cord for DSPxx Power Supply, EU	\$61	A
030-028500	AC Power Cord for DSPxx Power Supply, UK	\$61	A

\*Note: Can also be used to control intensity of continuous lights

**Tech Reference *CDI Lights***

**Hardware Required**

Item	Description	Part Number
1	CDI Series Illuminators	NER-01125XXXX
2	Power Supply DSP60 24VDC 2.5A DIN Mount	NER-011504100
3	NL-200 Series Lighting Controller	98-000152-0X

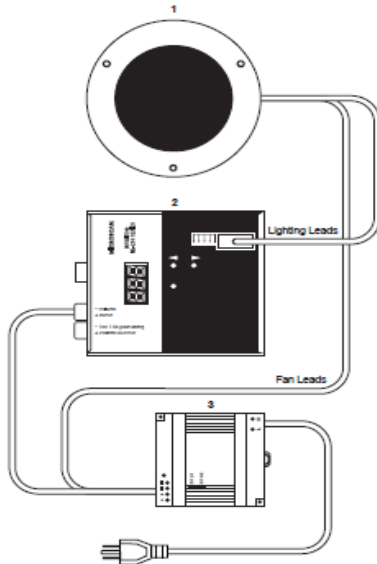
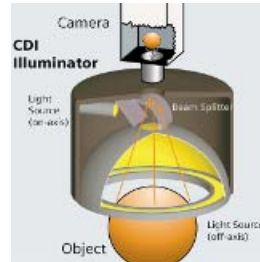


Figure A  
 CDI Series Illuminator  
 with NL-200 Controller, power supply  
 and fan circuit



**CDI Calibration**

1. After installation, set both the On Axis Lighting (DOAL) and Off Axis Lighting (Ring/Dome) channels to 100% of their rated currents.
2. Reduce the current to the On Axis Lighting (DOAL) until the desired image is displayed on your vision system.

# MICROSCAN.

## NERLITE® SMART RING LIGHTS

**NERLITE® Smart Series Ring lights use HI-Brite LEDs and feature an integrated strobe controller for easy integration in industrial applications.**



**\*\*Important Pricing Discount Note\*\* Product discounts are applied based on the Product TYPE as indicated in the TYPE column of each price sheet.**

Two (2) Product Types are defined as follows: P = PRODUCT Discount or A = ACCESSORY Discount.

Refer to your Partner Agreement for the actual discount percentage by Product Type.

60 mm			List Price	Type
Part Number	Description			
NER-011660800G	Nerlite, Ring 60mm, Red, Smartlite, M12 connector		\$450	P
NER-011660810G	Nerlite, Ring 60mm, White, Smartlite, M12 connector		\$530	P
NER-011660820G	Nerlite, Ring 60mm, Blue, Smartlite, M12 connector		\$520	P
NER-011660830G	Nerlite, Ring 60mm, Infrared, Smartlite, M12 connector		\$470	P
NER-011660840G	Nerlite, Ring 60mm, Ultraviolet, Smartlite, M12 connector		\$530	P
70 mm				
NER-011660900G	Nerlite, Ring 70mm, Red, Smartlite, M12 connector		\$480	P
NER-011660910G	Nerlite, Ring 70mm, White, Smartlite, M12 connector		\$560	P
NER-011660920G	Nerlite, Ring 70mm, Blue, Smartlite, M12 connector		\$560	P
NER-011660930G	Nerlite, Ring 70mm, Infrared, Smartlite, M12 connector		\$500	P
NER-011660940G	Nerlite, Ring 70mm, Ultraviolet, Smartlite, M12 connector		\$560	P
100 mm				
NER-011661100G	Nerlite, Ring 100mm, Red, Smartlite, M12 connector		\$640	P
NER-011661110G	Nerlite, Ring 100mm, White, Smartlite, M12 connector		\$750	P
NER-011661120G	Nerlite, Ring 100mm, Blue, Smartlite, M12 connector		\$740	P
NER-011661130G	Nerlite, Ring 100mm, Infrared, Smartlite, M12 connector		\$670	P
NER-011661140G	Nerlite, Ring 100mm, Ultraviolet, Smartlite, M12 connector		\$750	P
Power Supply (60, 70, 100)				
NER-011504100	DSP60 24VDC 2.5A DIN Mount Power Supply		\$209	A
97-000006-01	DSP100, 24VDC, 4.2A DIN Mount Power Supply		\$260	A
Power Supply Cordsets				
NER-030028300	AC Power Cord for DSPxx Power Supply, US		\$61	A
NER-030028400	AC Power Cord for DSPxx Power Supply, EU		\$61	A
NER-030028500	AC Power Cord for DSPxx Power Supply, UK		\$61	A
61-000186-01	Cable, 5 pin M12 Female To Flying Leads, 3M		\$65	A
61-000187-01	Cable, 5 Pin M12 Female to Flying Leads, 5M		\$75	A
61-000218-01	ASSY,CBL,SMART SERIES TO QX-1,STROBE,NPN		\$130	A
61-000207-01	ASSY,CABLE,SMART SERIES TO QX-1 ON/OFF		\$230	A

**Note: For high speed or high intensity applications strobed lights require a light + controller + power supply**

# MICROSCAN.

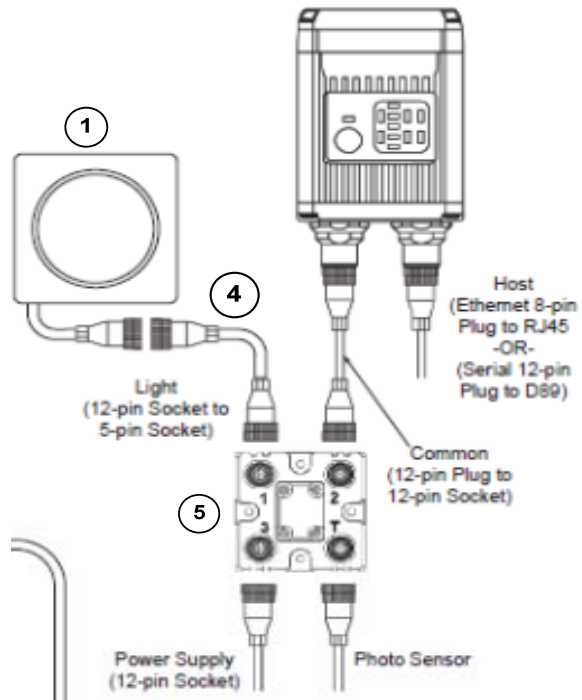
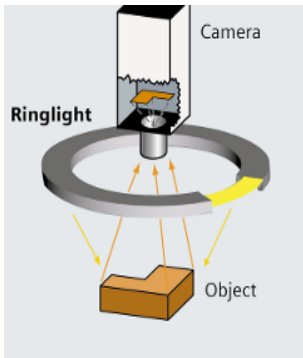
## NERLITE® RING LIGHT ACCESSORIES

Note: For mounting and alternate focused optics use the following

60 mm Mounts and Optics			
Part Number	Description	List Price	Type
99-000026-01	R-60 Focusing lens, Focal length = 70mm	\$150	A
99-000026-02	R-60 Focusing lens, Focal length = 102mm	\$150	A
99-000026-03	R-60 Focusing lens, Focal length = 127mm	\$150	A
99-000025-01	R-60 Lens adapter, 25.5mm x 0.50mm	\$65	A
99-000025-02	R-60 Lens adapter, 27.0mm x 0.50mm	\$65	A
99-000025-03	R-60 Lens adapter, 30.5mm x 0.50mm	\$65	A
99-000025-04	R-60 Lens adapter, 40.5mm x 0.50mm	\$65	A
99-000025-05	R-60 Lens adapter, 46.0mm x 0.75mm	\$65	A
70 mm Mounts and Optics			
99-000028-01	R-70 Focusing lens, Focal length = 70mm	\$150	A
99-000028-02	R-70 Focusing lens, Focal length = 102mm	\$150	A
99-000028-03	R-70 Focusing lens, Focal length = 127mm	\$150	A
99-000027-01	R-70 Lens adapter, 25.5mm x 0.50mm	\$65	A
99-000027-02	R-70 Lens adapter, 27.0mm x 0.50mm	\$65	A
99-000027-03	R-70 Lens adapter, 30.5mm x 0.50mm	\$65	A
99-000027-04	R-70 Lens adapter, 40.5mm x 0.50mm	\$65	A
100 mm Mounts and Optics			
99-000030-01	R-100 Focusing lens, Focal length = 70mm	\$150	A
99-000030-02	R-100 Focusing lens, Focal length = 102mm	\$150	A
99-000030-03	R-100 Focusing lens, Focal length = 127mm	\$150	A
99-000030-04	R-100 Focusing lens, Focal length = 152mm	\$150	A
99-000029-01	R-100 Lens adapter, 25.5mm x 0.50mm	\$65	A
99-000029-02	R-100 Lens adapter, 27.0mm x 0.50mm	\$65	A
99-000029-03	R-100 Lens adapter, 30.5mm x 0.50mm	\$65	A
99-000029-04	R-100 Lens adapter, 40.5mm x 0.50mm	\$65	A
Ring Light Camera Mounting Brackets			
99-000050-01	Accessory, Bracket, R-100 smartlite to VisionHawk and QX-Hawk	\$138	A
99-000052-01	Accessory, Bracket, R-60/70 smartlite to VisionHawk and QX-Hawk	\$138	A
99-000053-01	Accessory, Bracket, R-60/70 Smartlite to VisionMini and MiniHawk	\$138	A
99-000054-01	Accessory, Bracket, R-100 Smartlite to VisionMini and MiniHawk	\$138	A
99-000049-01	Accessory, Bracket, R-100 smartlite to C-mount VisionHawk and QX-Hawk	\$138	A
99-000051-01	Accessory, Bracket, R-60/70 smartlite to C-mount VisionHawk and QX-Hawk	\$138	A

# MICROSCAN.

## Tech Reference Ring Lights



Item	Description	Part #
1	Smart Series RING Light	Various
4	Cable, Power Smart Series to QX-1	61-000204-01
5	QX-1 Interface Device	98-000103-02
	Cable, Smart Series to Qx-1, Strobe ,NPN	61-000218-01
	Cable, Smart Series to Qx-1 On/Off	61-000207-01

Note: Configuration does not support Daisy Chaining  
Powering more than 1 light via the QX-1 will exceed QX-1's current capacity

# MICROSCAN.

## HI-BRITES

*HI-BRITES are designed to provide high intensity illumination over a large area.  
HI-BRITES have an industrial design with IP67 enclosure and built in controller.*



**\*\*Important Pricing Discount Note\*\*** Product discounts are applied based on the Product TYPE as indicated in the TYPE column of each price sheet.

Two (2) Product Types are defined as follows: P = PRODUCT Discount or A = ACCESSORY Discount.

Refer to your Partner Agreement for the actual discount percentage by Product Type.

HI-Brite 300 mm		List Price	Type
NER-011660300G	Nerlite, Hi-Brite 300, Red, Narrow , Smartlite, M12 connector	\$900	P
NER-011660310G	Nerlite, Hi-Brite 300, White, Narrow , Smartlite, M12 connector	\$950	P
NER-011660301G	Nerlite, Hi-Brite 300, Red, Wide, Smartlite, M12 connector	\$900	P
NER-011660311G	Nerlite, Hi-Brite 300, White, Wide, Smartlite, M12 connector	\$950	P
HI-Brite 100 mm			
NER-011660200G	Nerlite, Hi-Brite 100, Red, Narrow , Smartlite, M12 connector	\$700	P
NER-011660210G	Nerlite, Hi-Brite 100, White, Narrow , Smartlite, M12 connector	\$750	P
NER-011660201G	Nerlite, Hi-Brite 100, Red, Wide, Smartlite, M12 connector	\$700	P
NER-011660211G	Nerlite, Hi-Brite 100, White, Wide, Smartlite, M12 connector	\$750	P
HI-Brite 45 mm			
NER-011660100G	Nerlite, Hi-Brite 45, Red, Narrow , Smartlite, M12 connector	\$400	P
NER-011660110G	Nerlite, Hi-Brite 45, White, Narrow , Smartlite, M12 connector	\$450	P
NER-011660101G	Nerlite, Hi-Brite 45, Red, Wide, Smartlite, M12 connector	\$400	P
NER-011660111G	Nerlite, Hi-Brite 45, White, Wide, Smartlite, M12 connector	\$450	P
Hi-Brite Cables (Not included with light)			
61-000184-01	Cable, 5 Pin M12 Male - 5Pin M12 Female, 1M, Shielded (for daisy chain)	\$65	A
61-000185-01	Cable, 5 Pin M12 Male - 5Pin M12 Female, 3M, Shielded (for daisy chain)	\$75	A
61-000204-01	Cable, Power Smart Series to QX-1	\$204	A
61-000218-01	ASSY,CBL,SMART SERIES TO QX-1,STROBE,NPN	\$130	A
61-000207-01	ASSY,CABLE,SMART SERIES TO QX-1 ON/OFF	\$230	A
61-000186-01	Cable, 5 pin M12 Female To Flying Leads, 3M	\$65	A
61-000187-01	Cable, 5 Pin M12 Female to Flying Leads, 5M	\$75	A
<b>Note: For high speed or high intensity applications strobed lights require a light + controller + power supply</b>			
Power Supply			
NER-011504100	DSP60 24VDC 2.5A DIN Mount Power Supply	\$209	A
97-000006-01	DSP100, 24VDC, 4.2A DIN Mount Power Supply	\$260	A
Power Supply Cordsets			
NER-030028300	AC Power Cord for DSPxx Power Supply, US	\$61	A
NER-030028400	AC Power Cord for DSPxx Power Supply, EU	\$61	A
NER-030028500	AC Power Cord for DSPxx Power Supply, UK	\$61	A

### Hardware Required

Item	Description	Part Number
1	Hi-Brite Series Lights	NER-011660XXXG
2	Power Supply DSP100 24VDC 4.2A DIN Mount	97-000006-01
2	Power Supply DSP60 24VDC 2.5A DIN Mount	NER-011504100
3	Cable, 5P M12 Female To Flying Leads, 3M	61-000186-01
3	Cable, 5P M12 Female To Flying Leads, 5M	61-000187-01
4	Cable, 5P M12 Male To 5P M12 Female, 1M	61-000184-01
4	Cable, 5P M12 Male To 5P M12 Female, 3M	61-000185-01

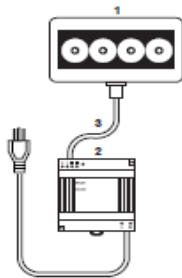


Figure A  
Hi-Brite Series Illuminator  
with power supply

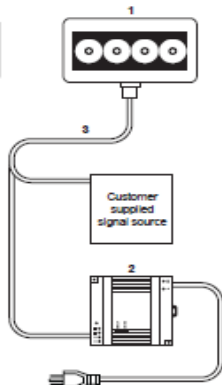


Figure B  
Hi-Brite Series Illuminator  
with customer supplied  
dimming or on-off  
signal source

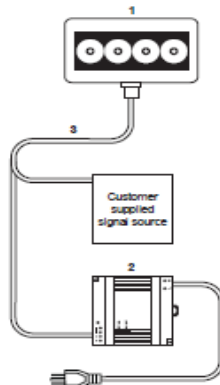


Figure C  
Hi-Brite Series Illuminator  
with customer supplied  
strobe trigger signal source

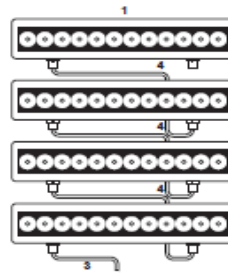
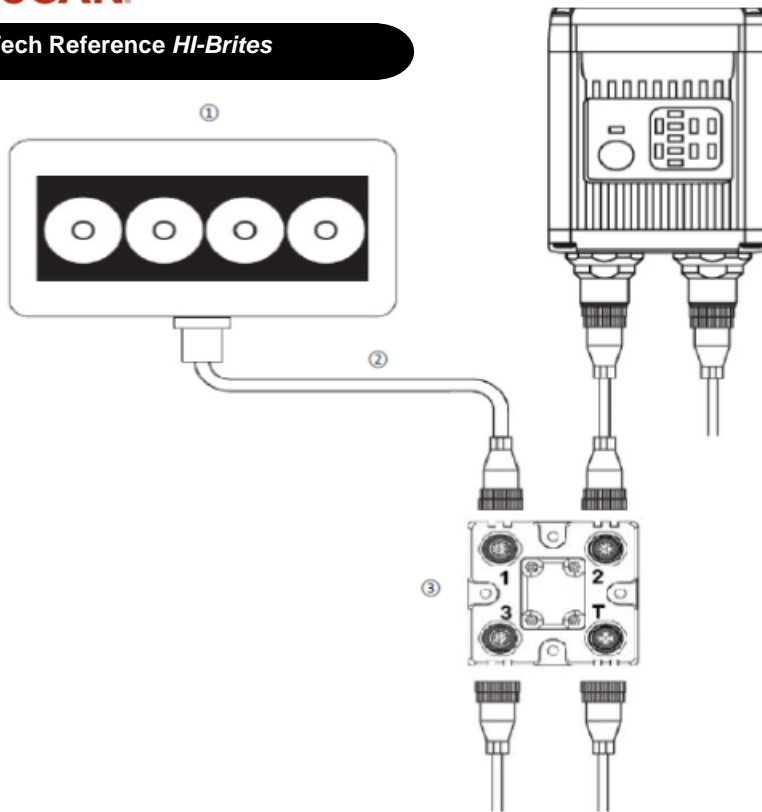


Figure D  
Hi-Brite Series Illuminators in  
a daisy chain configuration.  
See Figures A, B, or C for the  
correct power supply and  
signal connections for your  
application.

# MICROSCAN.

## Tech Reference HI-Brites



Item	Description	Part #
1	Smart Series Light	Various
2	Cable, Power Smart Series to QX-1	61-000204-01
3	QX-1 Interface Device	96-000103-02
	ASSY,CBL,SMART SERIES TO QX-1,STROBE,NPN	61-000218-01
	ASSY,CABLE,SMART SERIES TO QX-1 ON/OFF	61-000207-01

Note: Configuration does not support Daisy Chaining  
 Powering more than 1 light via the QX-1 will exceed QX-1's current capacity



# MICROSCAN.

## AREA ARRAYS

*Area Arrays are designed for non-specular surface lighting in applications that demand economical solutions.*



**\*\*Important Pricing Discount Note\*\*** Product discounts are applied based on the Product TYPE as indicated in the TYPE column of each price sheet.

Two (2) Product Types are defined as follows: P = PRODUCT Discount or A = ACCESSORY Discount.

Refer to your Partner Agreement for the actual discount percentage by Product Type.

**Note: For basic applications continuous lights only require a light + power supply**

Area Arrays 50X50 Continuous			List Price	Type
PART #	DESCRIPTION			
NER-011652115	Nerlite, AR-50x50-HO, Red, Non diffuse, Array, 24V continuous, open end cable		\$387	P
NER-011652114	Nerlite, AR-50x50-HO, White, Non diffuse, Array, 24V continuous, open end cable		\$504	P
NER-011652125	Nerlite, AR-50x50-HO, Blue, Non diffuse, Array, 24V continuous, open end cable		\$504	P
NER-011652143	Nerlite, AR-50x50-HO, Infrared, Array, 24V continuous, open end cable		\$504	P
NER-011652138	Nerlite, AR-50x50-HO, Ultraviolet, Array, 24V continuous, open end cable		\$504	P
Area Arrays 75X75 Continuous				
NER-011903401	Nerlite, AR-75x75-HO, Red, Array, 24V continuous, open end cable		\$581	P
NER-011903502	Nerlite, AR-75x75-HO, White, Array, 24V continuous, open end cable		\$900	P
NER-011903503	Nerlite, AR-75x75-HO, Blue, Array, 24V continuous, open end cable		\$900	P
NER-011652182	Nerlite, AR-75x75-HO, Infrared, Array, 24V continuous, open end cable		\$900	P
NER-011652181	Nerlite, AR-75x75-HO, Ultraviolet, Array, 24V continuous, open end cable		\$900	P
Area Arrays 100X100 Continuous				
NER-011904101	Nerlite, AR-100x100-HO, Red, Array, 24V continuous, open end cable		\$945	P
NER-011904201	Nerlite, AR-100x100-HO, White, Array, 24V continuous, open end cable		\$1,305	P
NER-011904301	Nerlite, AR-100x100-HO, Blue, Array, 24V continuous, open end cable		\$1,305	P
NER-011652232	Nerlite, AR-100x100-HO, Infrared, Array, 24V continuous, open end cable		\$1,305	P
Area Arrays 50X200 Continuous				
NER-011650005	Nerlite, AR-50x200-HO, Red, Non diffuse, Array, 24V continuous, open end cable		\$990	P
NER-011650012	Nerlite, AR-50x200-HO, White, Non diffuse, Array, 24V continuous, open end cable		\$1,765	P
Power Supply (Area Arrays continuous)				
NER-011504100	DSP60 24VDC 2.5A DIN Mount Power Supply		\$209	A
Power Supply Cordsets				
NER-030028300	AC Power Cord for DSPxx Power Supply, US		\$61	A
NER-030028400	AC Power Cord for DSPxx Power Supply, EU		\$61	A
NER-030028500	AC Power Cord for DSPxx Power Supply, UK		\$61	A

# MICROSCAN.

**Note: For high speed or high intensity applications strobed lights require a light + controller + power supply**

## Area Arrays 50X50 Strobed

PART #	DESCRIPTION	List Price	List
NER-011652131	Nerlite, AR-50x50-HO, Red, Non diffuse, Array, 24V strobe, open end cable	\$387	P
NER-011652133	Nerlite, AR-50x50-HO, White, Non diffuse, Array, 24V strobe, open end cable	\$504	P
NER-011652135	Nerlite, AR-50x50-HO, Blue, Non diffuse, Array, 24V strobe, open end cable	\$504	P
NER-011652144	AR-50x50-HO,IR LED-ND,24V-S,4.5M(15 ft.)	\$504	P
NER-011652137	Nerlite, AR-50x50-HO, Ultraviolet, Array, 24V strobe, open end cable	\$504	P

## Area Arrays 75X75 Strobed

NER-011652171	Nerlite, AR-75x75-HO, Red, Array, 24V strobe, open end cable	\$581	P
NER-011652173	Nerlite, AR-75x75-HO, White, Array, 24V strobe, open end cable	\$900	P
NER-011652175	Nerlite, AR-75x75-HO, Blue, Array, 24V strobe, open end cable	\$900	P
NER-011904006	Nerlite, AR-75x75-HO, Infrared, Array, 24V strobe, open end cable	\$900	P
NER-011652180	Nerlite, AR-75x75-HO, Ultraviolet, Array, 24V strobe, open end cable	\$900	P

## Area Arrays 100X100 Strobed

NER-011652226	Nerlite, AR-100x100-HO, Red, Array, 24V strobe, open end cable	\$945	P
NER-011652228	Nerlite, AR-100x100-HO, White, Array, 24V strobe, open end cable	\$1,305	P
NER-011652230	Nerlite, AR-100x100-HO, Blue, Array, 24V strobe, open end cable	\$1,305	P
NER-011904406	Nerlite, AR-100x100-HO, Infrared, Array, 24V strobe, open end cable	\$1,305	P

## Area Arrays 50X200 Strobed

NER-011650004	Nerlite, AR-50x200-HO, Red, Non diffuse, Array, 24V strobe, open end cable	\$990	P
NER-011650013	Nerlite, AR-50x200-HO, White, Non diffuse, Array, 24V strobe, open end cable	\$1,765	P

## Power Supply/Controllers

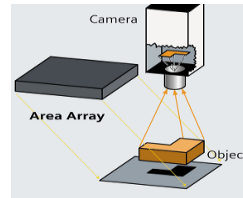
NER-011504100	DSP60 24VDC 2.5A DIN Mount Power Supply	\$209	A
98-000152-01	NL200 Lighting Controller (Front Panel Control Only)	\$803	A
98-000152-02	NL220 Lighting Controller (Ethernet Control Only)	\$1,155	A
98-000152-03	NL220F Lighting Controller (Ethernet Control Only with Fast Strobe Capability)	\$1,474	A

## Power Supply Cordsets

030-028300	AC Power Cord for DSPxx Power Supply, US	\$61	A
030-028400	AC Power Cord for DSPxx Power Supply, EU	\$61	A
030-028500	AC Power Cord for DSPxx Power Supply, UK	\$61	A

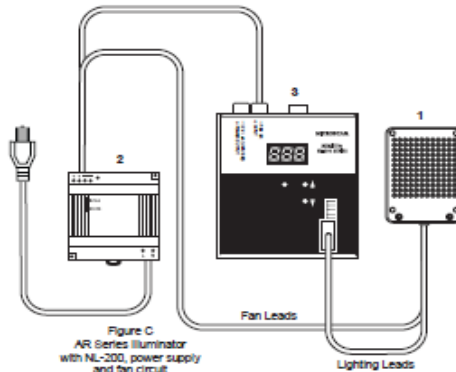
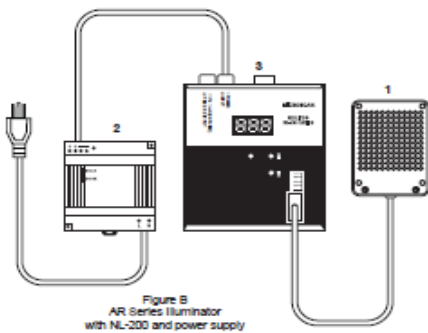
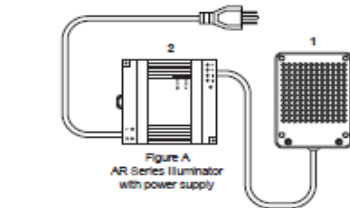
\*Note: Can also be used to control intensity of continuous lights

## Tech Reference Arrays



### Hardware Required

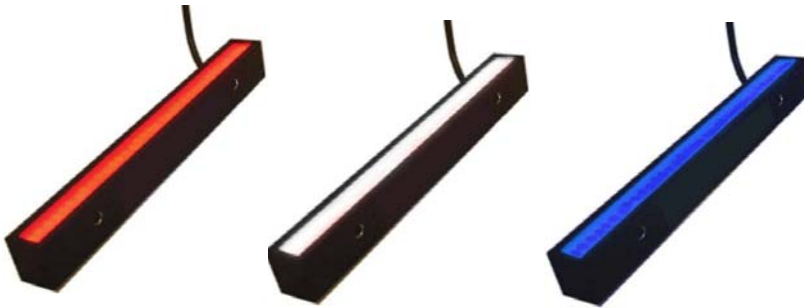
Item	Description	Part Number
1	AR Series Illuminators	NER-011XXXXXX
2	Power Supply DSP60 24VDC 2.5A DIN Mount	NER-011504100
3	NL-200 Current Controller Series	98-000152-0X



# MICROSCAN.

## LINEAR ARRAYS (also known as line/bar lights)

*Linear Arrays are designed for off axis, non-specular surface lighting in applications that demand small size economical solutions.*



**Note: For basic applications continuous lights only require a light + power supply**

Linear Arrays 50 Continuous			List Price	Type
PART #	DESCRIPTION			
NER-011654195	Nerlite, LA-50-1, Red, Linear array, 24V continuous, open end cable		\$315	P
NER-011654198	Nerlite, LA-50-1, White, Linear array, 24V continuous, open end cable		\$342	P
NER-011654170	Nerlite, LA-50-1, Blue, Linear array, 24V continuous, open end cable		\$342	P
Linear Arrays 100 Continuous				
NER-011654395	Nerlite, LA-100-1, Red, Linear array, 24V continuous, open end cable		\$423	P
NER-011654340	Nerlite, LA-100-1, White, Linear array, 24V continuous, open end cable		\$477	P
NER-011654370	Nerlite, LA-100-1, Blue, Linear array, 24V continuous, open end cable		\$477	P
Linear Arrays 150 Continuous				
NER-011654593	Nerlite, LA-150-1, Red, Linear array, 24V continuous, open end cable		\$477	P
NER-011654540	Nerlite, LA-150-1, White, Linear array, 24V continuous, open end cable		\$558	P
NER-011654570	Nerlite, LA-150-1, Blue, Linear array, 24V continuous, open end cable		\$558	P
Power Supply (Linear Arrays continuous)				
NER-011504100	DSP60 24VDC 2.5A DIN Mount Power Supply		\$209	A
Power Supply Cordsets				
NER-030028300	AC Power Cord for DSPxx Power Supply, US		\$61	A
NER-030028400	AC Power Cord for DSPxx Power Supply, EU		\$61	A
NER-030028500	AC Power Cord for DSPxx Power Supply, UK		\$61	A

**Note: For high speed or high intensity applications strobed lights require a light + controller + power supply**

Linear Arrays 50 Strobed			List Price	Type
PART #	DESCRIPTION			
NER-011654120	Nerlite, LA-50-1, Red, Linear array, 24V strobe, open end cable		\$315	P
NER-011654150	Nerlite, LA-50-1, White, Linear array, 24V strobe, open end cable		\$342	P
NER-011654180	Nerlite, LA-50-1, Blue, Linear array, 24V strobe, open end cable		\$342	P
Linear Arrays 100 Strobed				
NER-011654320	Nerlite, LA-100-1, Red, Linear array, 24V strobe, open end cable		\$423	P
NER-011654350	Nerlite, LA-100-1, White, Linear array, 24V strobe, open end cable		\$477	P
NER-011654380	Nerlite, LA-100-1, Blue, Linear array, 24V strobe, open end cable		\$477	P
Linear Arrays 150 Strobed				
NER-011654520	Nerlite, LA-150-1, Red, Linear array, 24V strobe, open end cable		\$477	P
NER-011654550	Nerlite, LA-150-1, White, Linear array, 24V strobe, open end cable		\$558	P
NER-011654580	Nerlite, LA-150-1, Blue, Linear array, 24V strobe, open end cable		\$558	P
Power Supply/Controllers				
NER-011504100	DSP60 24VDC 2.5A DIN Mount Power Supply		\$209	A
98-000152-01*	NL200 Lighting Controller (Front Panel Control Only)		\$803	A
98-000152-02*	NL220 Lighting Controller (Ethernet Control Only)		\$1,155	A
98-000152-03*	NL220F Lighting Controller (Ethernet Control Only with Fast Strobe Capability)		\$1,474	A
Power Supply Cordsets				
030-028300	AC Power Cord for DSPxx Power Supply, US		\$61	A
030-028400	AC Power Cord for DSPxx Power Supply, EU		\$61	A
030-028500	AC Power Cord for DSPxx Power Supply, UK		\$61	A

\*Note: Can also be used to control intensity of continuous lights

## Tech Reference *Bar-Line Lights*

### Hardware Required

Item	Description	Part Number
1	LA Series Illuminators	NER-011654XXX
2	Power Supply DSP60 24VDC 2.5A DIN Mount	NER-011504100
3	NL-200 Current Controller Series	98-000152-0X

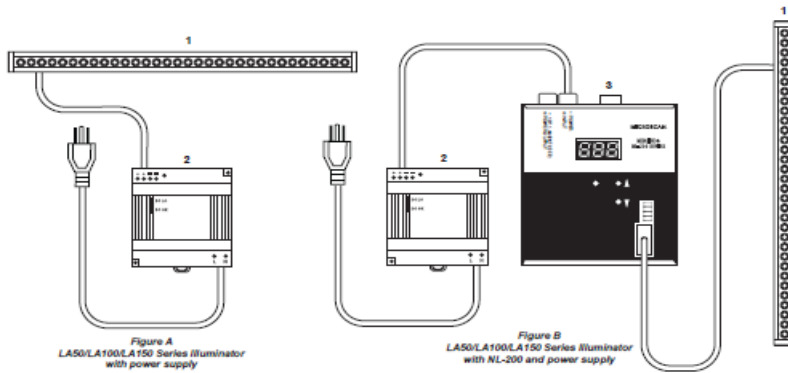


Figure A  
LA50/LA100/LA150 Series Illuminator  
with power supply

Figure B  
LA50/LA100/LA150 Series Illuminator  
with NL-200 and power supply

## NERLITE® BACKLIGHTS with "Edge to Edge" lighting

*Backlights provide sharp contrast to outline a parts shape, hide clear housings, and view openings such as drilled holes.*



**\*\*Important Pricing Discount Note\*\*** Product discounts are applied based on the Product TYPE as indicated in the TYPE column of each price sheet.

Two (2) Product Types are defined as follows: P = PRODUCT Discount or A = ACCESSORY Discount.

Refer to your Partner Agreement for the actual discount percentage by Product Type.

**Note: For basic applications continuous lights only require a light + power supply**

Backlights 47X59 Continuous		List Price	Type
PART #	DESCRIPTION		
NER-011659300G	Nerlite, 47x59mm, Red, Backlight, 24V continuous, 150mm, cable M12	\$565	P
NER-011659310G	Nerlite, 47x59mm, White, Backlight, 24V continuous, 150mm, cable M12	\$715	P
NER-011659320G	Nerlite, 47x59mm, Blue, Backlight, 24V continuous, 150mm, cable M12	\$715	P
NER-011659340G	Nerlite, 47x59mm, Infrared, Backlight, 24V continuous, 150mm, cable M12	\$565	P
Backlights 71X88 Continuous			
NER-011659400G	Nerlite, 71x88mm, Red, Backlight, 24V continuous, 150mm, cable M12	\$655	P
NER-011659410G	Nerlite, 71x88mm, White, Backlight, 24V continuous, 150mm, cable M12	\$810	P
NER-011659420G	Nerlite, 71x88mm, Blue, Backlight, 24V continuous, 150mm, cable M12	\$810	P
NER-011659440G	Nerlite, 71x88mm, Infrared, Backlight, 24V continuous, 150mm, cable M12	\$655	P
Backlights 100X100 Continuous			
NER-011659500G	Nerlite, 100x100mm, Red, Backlight, 24V continuous, 150mm, cable M12	\$700	P
NER-011659510G	Nerlite, 100x100mm, White, Backlight, 24V continuous, 150mm, cable M12	\$900	P
NER-011659520G	Nerlite, 100x100mm, Blue, Backlight, 24V continuous, 150mm, cable M12	\$900	P
NER-011659540G	Nerlite, 100x100mm, Infrared, Backlight, 24V continuous, 150mm, cable M12	\$700	P
Backlights 50X200 Continuous			
NER-011659600G	Nerlite, 50x200mm, Red, Backlight, 24V continuous, 150mm, cable M12	\$700	P
NER-011659610G	Nerlite, 50x200mm, White, Backlight, 24V continuous, 150mm, cable M12	\$900	P
NER-011659620G	Nerlite, 50x200mm, Blue, Backlight, 24V continuous, 150mm, cable M12	\$900	P
NER-011659640G	Nerlite, 50x200mm, Infrared, Backlight, 24V continuous, 150mm, cable M12	\$700	P
Power Supply Backlights Continuous			
NER-011504100	DSP60 24VDC 2.5A DIN Mount Power Supply	\$209	A
Power Supply Cordsets			
NER-030028300	AC Power Cord for DSPxx Power Supply, US	\$61	A
NER-030028400	AC Power Cord for DSPxx Power Supply, EU	\$61	A
NER-030028500	AC Power Cord for DSPxx Power Supply, UK	\$61	A
Backlight Accessories			
NER-030029100	Cable, Nerlight, M12 5 pin to open end	\$55	A

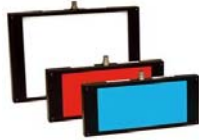
# MICROSCAN

Note: For high speed or high intensity applications strobed lights require a light + controller + power supply

<b>Backlights 47X59 Strobed</b>			List Price	Type
PART #	DESCRIPTION			
NER-011659301G	Nerlite, 47x59mm, Red, Backlight, Current control, 150mm, cable M12		\$565	P
NER-011659311G	Nerlite, 47x59mm, White, Backlight, Current control, 150mm, cable M12		\$715	P
NER-011659321G	Nerlite, 47x59mm, Blue, Backlight, Current control, 150mm, cable M12		\$715	P
NER-011659341G	Nerlite, 47x59mm, Infrared, Backlight, Current control, 150mm, cable M12		\$565	P
<b>Backlights 71X88 Strobed</b>				
NER-011659401G	Nerlite, 71x88mm, Red, Backlight, Current control, 150mm, cable M12		\$655	P
NER-011659411G	Nerlite, 71x88mm, White, Backlight, Current control, 150mm, cable M12		\$810	P
NER-011659421G	Nerlite, 71x88mm, Blue, Backlight, Current control, 150mm, cable M12		\$810	P
NER-011659441G	Nerlite, 71x88mm, Infrared, Backlight, Current control, 150mm, cable M12		\$655	P
<b>Backlights 100X100 Strobed</b>				
NER-011659501G	Nerlite, 100x100mm, Red, Backlight, Current control, 150mm, cable M12		\$700	P
NER-011659511G	Nerlite, 100x100mm, White, Backlight, Current control, 150mm, cable M12		\$900	P
NER-011659521G	Nerlite, 100x100mm, Blue, Backlight, Current control, 150mm, cable M12		\$900	P
NER-011659541G	Nerlite, 100x100mm, Infrared, Backlight, Current control, 150mm, cable M12		\$700	P
<b>Backlights 50X200 Strobed</b>				
NER-011659601G	Nerlite, 50x200mm, Red, Backlight, Current control, 150mm, cable M12		\$700	P
NER-011659611G	Nerlite, 50x200mm, White, Backlight, Current control, 150mm, cable M12		\$900	P
NER-011659621G	Nerlite, 50x200mm, Blue, Backlight, Current control, 150mm, cable M12		\$900	P
NER-011659641G	Nerlite, 50x200mm, Infrared, Backlight, Current control, 150mm, cable M12		\$700	P
<b>Power Supply/Controllers</b>				
NER-011504100	DSP60 24VDC 2.5A DIN Mount Power Supply		\$209	A
98-000152-01*	NL200 Lighting Controller (Front Panel Control Only)		\$803	A
98-000152-02*	NL220 Lighting Controller (Ethernet Control Only)		\$1,155	A
98-000152-03*	NL220F Lighting Controller (Ethernet Control Only with Fast Strobe Capability)		\$1,474	A
<b>Power Supply Cordsets</b>				
030-028300	AC Power Cord for DSPxx Power Supply, US		\$61	A
030-028400	AC Power Cord for DSPxx Power Supply, EU		\$61	A
030-028500	AC Power Cord for DSPxx Power Supply, UK		\$61	A
*Note: Can also be used to control intensity of continuous lights				
<b>Backlight Accessories</b>				
61-000186-01	Cable, 5 pin M12 Female To Flying Leads, 3M		\$65	A
61-000187-01	Cable, 5 Pin M12 Female to Flying Leads, 5M		\$75	A

## NERLITE® LARGE BACKLIGHTS

Backlights provide sharp contrast to outline a parts shape, hide clear housings, and view openings such as drilled holes.



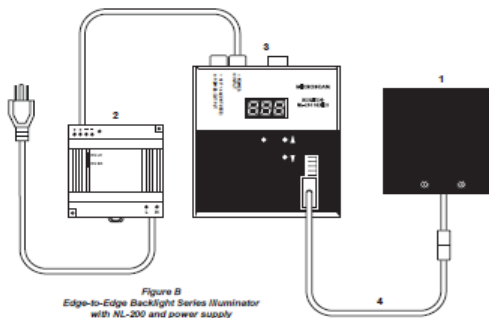
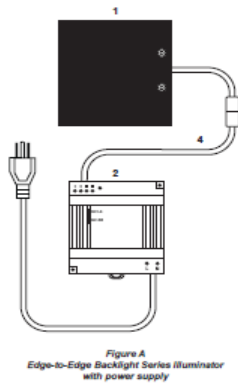
Note: For high speed or high intensity applications strobed lights require a light + controller + power supply

Backlights 100X200 Continuous/Strobed			List Price	Type
PART #	DESCRIPTION			
NER-011659700G	Nerlite, 100x200mm, Red, Backlight Current control, M12 connector		\$1,205	P
NER-011659710G	Nerlite, 100x200mm, White, Backlight Current control, M12 connector		\$1,305	P
NER-011659720G	Nerlite, 100x200mm, Blue, Backlight Current control, M12 connector		\$1,305	P
NER-011659740G	Nerlite, 100x200mm, Infrared, Backlight Current control, M12 connector		\$1,205	P
Backlights 150X200 Continuous/Strobed				
NER-011659800G	Nerlite, 150x200mm, Red, Backlight, Current control, M12 connector		\$1,325	P
NER-011659810G	Nerlite, 150x200mm, White, Backlight, Current control, M12 connector		\$1,425	P
NER-011659820G	Nerlite, 150x200mm, Blue, Backlight, Current control, M12 connector		\$1,425	P
Backlights 200X250 & 150X200 IR Continuous/Strobed				
NER-011659840G	Nerlite, 150x200mm, Infrared, Backlight, Current control, M12 connector		\$1,325	P
NER-011659900G	Nerlite, 200x250mm, Red, Backlight, Current control, M12 connector		\$1,595	P
NER-011659910G	Nerlite, 200x250mm, White, Backlight, Current control, M12 connector		\$1,695	P
NER-011659920G	Nerlite, 200x250mm, Blue, Backlight, Current control, M12 connector		\$1,695	P
NER-011659940G	Nerlite, 200x250mm, Infrared, Backlight, Current control, M12 connector		\$1,595	P
Power Supply/Controllers				
NER-011504100	DSP60 24VDC 2.5A DIN Mount Power Supply		\$209	A
98-000152-01*	NL200 Lighting Controller (Front Panel Control Only)		\$803	A
98-000152-02*	NL220 Lighting Controller (Ethernet Control Only)		\$1,155	A
98-000152-03*	NL220F Lighting Controller (Ethernet Control Only with Fast Strobe Capability)		\$1,474	A
Power Supply Cordsets				
030-028300	AC Power Cord for DSPxx Power Supply, US		\$61	A
030-028400	AC Power Cord for DSPxx Power Supply, EU		\$61	A
030-028500	AC Power Cord for DSPxx Power Supply, UK		\$61	A
*Note: Can also be used to control intensity of continuous lights				
Backlight Accessories				
61-000186-01	Cable, 5 pin M12 Female To Flying Leads, 3M		\$65	A
61-000187-01	Cable, 5 Pin M12 Female to Flying Leads, 5M		\$75	A

### Tech Reference Backlights

#### Hardware Required

Item	Description	Part Number
1	Edge To Edge Series Backlights	NER-011659XXXG
2	Power Supply DSP60 24VDC 2.5A DIN Mount	NER-011504100
3	NL-200 Series Lighting Controller	98-000152-0X
4	Cable 5 Pin M12 Female to Flying Leads, 3M	61-000186-01
4	Cable 5 Pin M12 Female to Flying Leads, 5M	61-000187-01



# MICROSCAN.

## NERLITE® DOMELIGHTS

*NERLITE Dome Lights provide practical and cost-effective solutions to illuminate shiny, bumpy surfaces.*



**\*\*Important Pricing Discount Note\*\*** Product discounts are applied based on the Product TYPE as indicated in the TYPE column of each price sheet.

Two (2) Product Types are defined as follows: P = PRODUCT Discount or A = ACCESSORY Discount.

Refer to your Partner Agreement for the actual discount percentage by Product Type.

**Note: For basic applications continuous lights only require a light + power supply**

### Dome Lights Continuous

PART #	DESCRIPTION	List Price	Type
NER-011600403	D-150, R LED-D, 24V-C, 4.5M (15 ft.) Cbl w/Flying Leads	880	P
NER-011600411	D-150, W LED-D, 24V-C, 4.5M (15 ft.) Cbl w/Flying Leads	\$1,500	P
<b>Power Supply Domes Continuous</b>			
NER-011504100	DSP60 24VDC 2.5A DIN Mount Power Supply	\$190	A
<b>Power Supply Cordsets</b>			
NER-030028300	AC Power Cord for DSPxx Power Supply, US	\$61	A
NER-030028400	AC Power Cord for DSPxx Power Supply, EU	\$61	A
NER-030028500	AC Power Cord for DSPxx Power Supply, UK	\$61	A

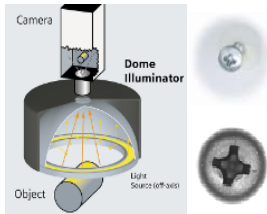
**Note: For high speed or high intensity applications strobed lights require a light + controller + power supply**

### Dome Lights Strobed

PART #	DESCRIPTION	List Price	List
NER-011600402	D-150, R LED-D, 24V-S, 4.5M (15 ft.) Cbl w/Flying Leads	\$880	P
NER-011600412	D-150, W LED-D, 24V-S, 4.5M (15 ft.) Cbl w/Flying Leads	\$1,500	P
<b>Power Supply/Controllers Domes Strobed</b>			
NER-011504100	DSP60 24VDC 2.5A DIN Mount Power Supply	\$209	A
98-000152-01*	NL200 Lighting Controller (Front Panel Control Only)*	\$803	A
98-000152-02*	NL220 Lighting Controller (Ethernet Control Only)*	\$1,155	A
98-000152-03*	NL220F Lighting Controller (Ethernet Control Only with Fast Strobe Capability)*	\$1,474	A
<b>Power Supply Cordsets</b>			
NER-030028300	AC Power Cord for DSPxx Power Supply, US	\$61	A
NER-030028400	AC Power Cord for DSPxx Power Supply, EU	\$61	A
NER-030028500	AC Power Cord for DSPxx Power Supply, UK	\$61	A



## Tech Reference *Dome Lights*



### Hardware Required

Item	Description	Part Number
1	Dome Series Illuminators	NER-0116004XX
2	Power Supply DSP60 24VDC 2.5A DIN Mount	NER-011504100
3	NL-200 Series Lighting Controller	98-000152-0X

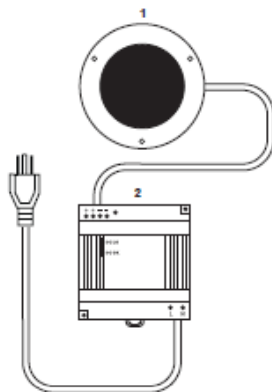


Figure A  
Dome Light Series Illuminator  
with power supply

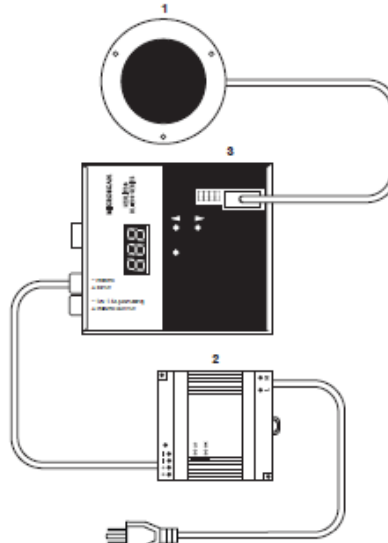


Figure B  
Dome Light Series Illuminator  
with NL-200 Controller and power supply

## NERLITE® DARKFIELD LIGHTS

*NERLITE Darkfield Lights enhance the contrast of surface features (e.g. embossed or engraved marks).*

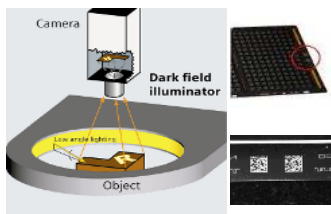


<b>Darkfield 50 Continuous</b>		List Price	Type
PART #	DESCRIPTION		
NER-011609311	Nerlite, DF-50, Red, Non diffuse, Darkfield, 24V continuous, open end cable	\$495	P
NER-011609321	Nerlite, DF-50, White, Non diffuse, Darkfield, 24V continuous, open end cable	\$567	P
<b>Darkfield 100 Continuous</b>			
NER-011601520	Nerlite, DF-100-1, Red, Non diffuse, Darkfield, 24V continuous, open end cable	\$563	P
NER-011601521	Nerlite, DF-100-1, Red, Diffuse, Darkfield, 24V continuous, open end cable	\$563	P
<b>Darkfield 150 Continuous</b>			
NER-011600020	Nerlite, DF-150-1, Red, Non diffuse, Darkfield, 24V continuous, open end cable	\$801	P
NER-011600031	Nerlite, DF-150-1, White, Non diffuse, Darkfield, 24V continuous, open end cable	\$801	P
NER-011600021	Nerlite, DF-150-1, Red, Diffuse, Darkfield, 24V continuous, open end cable	\$801	P
NER-011600041	Nerlite, DF-150-1, White, Diffuse, Darkfield, 24V continuous, open end cable	\$801	P
NER-011600208	Nerlite, DF-150-3, Red, Non diffuse, Darkfield, 24V continuous, open end cable	\$1,100	P
NER-011600206	Nerlite, DF-150-3, White, Non diffuse, Darkfield, 24V continuous, open end cable	\$1,400	P
<b>Darkfield 200 Continuous</b>			
NER-011603300	Nerlite, DF-200-1, Red, Diffuse, Darkfield, 24V continuous, open end cable	\$1,600	P
<b>Power Supply Darkfields Continuous</b>			
NER-011504100	DSP60 24VDC 2.5A DIN Mount Power Supply	\$209	A
<b>Power Supply Cordsets</b>			
NER-030028300	AC Power Cord for DSPxx Power Supply, US	\$61	A
NER-030028400	AC Power Cord for DSPxx Power Supply, EU	\$61	A
NER-030028500	AC Power Cord for DSPxx Power Supply, UK	\$61	A

**Note: For high speed or high intensity applications strobed lights require a light + controller + power supply**

<b>Power Supply Cordsets</b>			
NER-030028300	AC Power Cord for DSPxx Power Supply, US	\$61	A
NER-030028400	AC Power Cord for DSPxx Power Supply, EU	\$61	A
NER-030028500	AC Power Cord for DSPxx Power Supply, UK	\$61	A

## Tech Reference *Dark Field Lights*



### Hardware Required

Item	Description	Part Number
1	DF Series Illuminators	NER-01160XXXX
2	Power Supply DSP60 24VDC 2.5A DIN Mount	NER-011504100

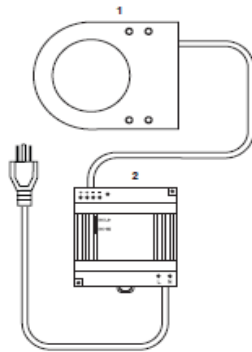


Figure A  
Dark Field Series Illuminator  
with power supply



## NERLITE® Accessories

**\*\*Important Pricing Discount Note\*\*** Product discounts are applied based on the Product TYPE as indicated in the TYPE column of each price sheet.

Two (2) Product Types are defined as follows: P = PRODUCT Discount or A = ACCESSORY Discount.

Refer to your Partner Agreement for the actual discount percentage by Product Type.

### NERLITE Accessories

Part Number	Description	List Price	Type
99-035002601	Beam Splitter, DOAL-25 Red & Blue	\$165	A
99-037000309	Beam Splitter, Custom DOAL-34X46 Red & Blue	\$110	A
99-037012300	Beam Splitter, Custom CDI-219	\$110	A
99-037009400	GLASS BEAMSPLITTER 50/50 940NM 1MM	\$110	A
99-037000305	Beam Splitter, DOAL-75 Red & Blue	\$110	A
99-037005002	Beam Splitter, DOAL-75 IR	\$275	A
99-037000310	Beam Splitter, DOAL-100 Red & Blue	\$110	A
99-037005001	Beam Splitter, DOAL-100 IR	\$275	A
99-037011500	Beam Splitter, DOAL-50 Red & Blue	\$110	A
99-037011501	GLASS BEAMSPLITTER 30/30 DOAL-50-LED NO	\$110	A
99-037011502	Beam Splitter, DOAL-50 IR	\$110	A
99-037000509	Beam Splitter, DOAL-100 White	\$165	A
99-037000508	Beam Splitter, DOAL-75 White	\$110	A
99-037000303	GLASS BMSPLTR 50/50 DIEI DOAL 75-LED	\$110	A
99-037012900	Beam Splitter, CDI-150 White	\$110	A
99-035036100	Beam Splitter, CDI-200 Red	\$165	A
99-035036200	Beam Splitter, CDI-200 White	\$165	A
99-037000301	GLASS BMSPLTR 50/50 DIEI SCDI 25-LED	\$110	A
99-037000503	GLASS BMSPLTR 30/30 INCONEL SCDI 25-FL	\$110	A
99-035017500	Beam Splitter, SCDI-75 Red	\$165	A
99-035002720	Beam Splitter, SCDI-75 White	\$165	A
99-035030900	Beam Splitter, SCDI-50 Red	\$165	A
99-035032000	Beam Splitter, SCDI-50 White	\$165	A
99-035002701	Beam Splitter, DOAL 25 White	\$165	A
99-037013100	Beam Splitter, OAL-50 UV	\$275	A
99-035002707	Beam Splitter, DOAL 20 FO	\$165	A
99-035006300	AR (Anti-Reflective) Cover, DOAL-25	\$110	A
99-037012500	GLASS A/R COVER W/O HOLES	\$110	A
99-035006400	PLST A/R SHIELD DOAL-75-LED	\$110	A
99-035006500	AR (Anti-Reflective) Cover, DOAL-100	\$275	A
99-035028900	AR (Anti-Reflective) Cover, DOAL-50	\$110	A
99-035000600	AR (Anti-Reflective) Cover, CDI-150 & CDI-200	\$165	A
99-035002900	AR (Anti-Reflective) Cover, SCDI-75	\$165	A
99-035031000	AR (Anti-Reflective) Cover, SCDI-50	\$165	A
61-000204-01	Cable, Power Smart Series to QX-1	\$204	A

# MICROSCAN.

## Product Demonstration Kits



For flexibility, many Microscan Demonstration Kits do not contain scanners, readers or cameras. These are indicated by \* in the part number listing below and require a separate purchase of the desired reader or camera:

Demo Kits - Scanner / Camera Not Included*		
Part Number	Description	List Price
98-000102-01	QX-830/QX-870 Demonstration Kit	\$595
98-000090-03	Demo Kit, MS-890	\$595
98-000086-02	Demo Kit, Quadrus MINI	\$655
98-000149-01	Demo Kit, QX Hawk	\$595
98-000095-02	Demo Kit, MS-Connect 210	\$895
98-000215-01	Demo Kit, AutoVISION, supports Vision MINI and Vision HAWK (cameras excluded)	\$595
98-000214-01	VS-1 starter Kit, Lenses, P/S, Ring Light, Cbbs, Demo Stand (VS-1 excluded)	\$1,720
98-000216-01	NERLITE Smart Series Demo Kit (Lights excluded)	\$499
98-000199-01*	Visionscape GigE Demo Kit, Licence dongle, no camera, Power supply, cables, lens	\$3,505

\* These kits are discounted 25% and require purchase of separate reader discounted 60%. Please visit the relevant product page.

† GigE cameras purchased in conjunction with a GigE Demo Kit are discounted 30%.

Demo Kits - Scanner / Camera Included**		
Part Number	Description	List Price
98-000097-02	MS-1 Demonstration Kit (contains 1 High Density MS-1 and 1 Low Density MS-1)	\$295
FIS-HEDPMDemo	Demo Kit, HE1525HD verifier,, P/S, cables, stand, verifier, lic., stack light	\$5,495
98-000139-01	Visionscape GigE Demo Kit, Licence dongle, CMG03, Power supply, cables, lens	\$4,235
98-000207-01	NERLITE Starter Kit with HI-Brite, 24VDC	\$5,490
98-000224-01	MS-2D Demonstration Kit,USB	\$599
98-000224-02	MS-2D Demonstration Kit,Serial	\$599
98-000264-01	Demo Kit, HS-21 & HS-41X, USB, 2 6ft Straight USB cables, 1 8ft. Serial Cable	\$1,200

\*\* No separate reader purchase required. These kits are discounted 25%.

NOTE: Demo kit is not available for Mobile Hawk. A reader, specifically purchased as a demo unit will be discounted 50%.

Software/Manuals		
Part Number	Description	List Price
37-000010-01*	TOOLS DRIVE, User Documentation, Software	\$30

\* 1 free per order.



## Service Price List

Repair or replace list prices, representative part number shown. Accessory discounts apply.

### Auto ID Barcode Readers

Part Number	Description	List Price
FIS-8001-XXXX	MS-1 Repair not available	N/A
FIS-0002-XXXX	MS-2 Repair	\$200
FIS-0003-XXXX	MS-3 Repair	\$450
FIS-0710-XXXX	MS-710 Repair	\$450
FIS-0911-XXXX	MS-9 Repair	\$500
FIS-0820-XXXX	MS-820 Repair	\$500
FIS-0830-XXXX	QX-830 Repair	\$550
FIS-0870-XXXX	QX 870 Repair	\$650
FIS-0890-XXXX	MS-890 Repair	\$650
FIS-0210-XXXX	MS-210 Repair	\$500

### Auto ID 2D Readers and Verifiers

Part Number	Description	List Price
FIS-MS-2D-XXXX	MS-2D Repair not available	N/A
FIS-0004-XXXX	MS-4, MS-4X, MS-4Xi Repair	\$550
FIS-6300-XXXX	MINI or MINI Xi Repair	\$550
FIS-6700-XXXX	Quadrus EZ Repair	\$600
FIS-HE15-XXXX	Hawkeye 1500 Series Repair	\$600
FIS-6800 or 6801-XXXX	QX Hawk Repair	\$600
FIS-6700-XXXX	Quadrus Verifier Repair	\$700
FIS-UD20-XXXX	LDP Verifier Repair	\$950
FIS-UD10-XXXX	DPM Verifier Repair	\$950

### Auto ID Handhelds

Part Number	Description	List Price
98-000106 or 107-XX	HS-1 & HS-2D Repair not available	N/A
FIS-HS21-XXXX	HS-21 Repair	\$285
FIS-HS41X-XXXX	HS-41X Repair	\$485
FIS-6150-XXXX	MS-Q, MS-Q Quadrus, and HE40T Repair	\$450
FIS-HT45-XXXX	HE45T Repair	\$500
FIS-6170-XXXX	Mobile Hawk Repair	\$550

### Machine Vision

Part Number	Description	List Price
GMV-1HT16-XXXX	Visionscape Smart Camera (VS-1) Repair	\$675
GMV-VS74-XXXX	Visionscape Framegrabber Board Repair/Replace (eg. VS740)	\$3,000
GMV-6300-XXXX	Vision MINI Smart Camera Repair	\$600
GMV-6800-XXXX	Vision HAWK Smart Camera Repair	\$650

### NER Lighting

Part Number	Description	List Price
Call	NERLITE Repairs	Varies*

\*Contact Microscan service for specific pricing.

# MICROSCAN.

## Legacy Products

Note: These products are not recommended for new applications, but are still actively shipping and supported.

### MS-1 (16 bit) Series

Part Number	Description	List Price	Type
FIS-0001-8001G	MS-1 CCD Scan Engines,Low Density,16 Bit,8-pack	\$1,240	P
FIS-0001-8002G	MS-1 CCD Scan Engines,High Density,16 Bit,8-pack	\$1,240	P

### MS-2 (16 bit)

Part Number	Description	List Price	Type
FIS-0002-0001G	MS-2 CCD,16 Bit,Low Density	\$515	P
FIS-0002-0002G	MS-2 CCD,Low Density,16 Bit,Right Angle	\$625	P
FIS-0002-0003G	MS-2 CCD,16 Bit,High Density	\$515	P
FIS-0002-0004G	MS-2 CCD,High Density,16 Bit,Right Angle	\$625	P
61-000143-01	MS-2 Firmware Upgrade Adapter (16 Bit)	\$30	A

### MS-3

Part Number	Description	List Price	Type
FIS-0003-0017G	MS-3 Barcode Reader,Single Line,Low Density,PDF	\$1,050	P
FIS-0003-0018G	MS-3 Barcode Reader,Single Line,High Density,PDF	\$1,050	P
FIS-0003-0021G	MS-3 Barcode Reader,Single Line,Low Density,Right Angle,PDF	\$1,166	P
FIS-0003-0022G	MS-3 Barcode Reader,Single Line,High Density,Right Angle,PDF	\$1,166	P
FIS-0003-0023G	MS-3 Barcode Reader,Raster,Low Density,Right Angle,PDF	\$1,218	P
FIS-0003-0024G	MS-3 Barcode Reader,Raster,High Density,Right Angle,PDF	\$1,218	P
FIS-0003-0025G	MS-3 Barcode Reader,Single Line,Low Density,6" Cable,PDF	\$1,050	P
FIS-0003-0026G	MS-3 Barcode Reader,Single Line,High Density,6" Cable,PDF	\$1,050	P
FIS-0003-0027G	MS-3 Barcode Reader,Raster,Low Density,6" Cable,PDF	\$1,103	P
FIS-0003-0029G	MS-3 Barcode Reader,Single Line,Low Density,Right Angle,6" Cable,PDF	\$1,166	P
FIS-0003-0030G	MS-3 Barcode Reader,Single Line,High Density,Right Angle,6" Cable,PDF	\$1,166	P
FIS-0003-0031G	MS-3 Barcode Reader,Raster,Low Density,Right Angle,6" Cable,PDF	\$1,218	P
FIS-0003-0032G	MS-3 Barcode Reader,Raster,High Density,Right Angle,6" Cable,PDF	\$1,218	P
FIS-0003-0034G	MS-3 Barcode Reader,Single Line,High Density,VS-310 Replacement	\$935	P
FIS-0003-0035G	MS-3 Barcode Reader,Raster,Low Density,VS-310 Replacement	\$987	P
FIS-0003-0039G	MS-3 Barcode Reader,Raster,Low Density,Keyence Replacement	\$935	P

### MS-710

Part Number	Description	List Price	Type
FIS-0710-0001G	MS-710 Barcode Reader,Single Line,RS232,Base Mount	\$1,750	P
FIS-0710-0002G	MS-710 Barcode Reader,Single Line,RS232,Right Angle Base Mount	\$1,810	P
FIS-0710-0005G	MS-710 Barcode Reader,Raster,RS232,Base Mount	\$1,750	P
FIS-0710-0006G	MS-710 Barcode Reader,Raster,RS232,Right Angle Base Mount	\$1,810	P
FIS-0710-0010G	MS-710 Barcode Reader,Single Line RS232,Right Angle Case Mount	\$1,840	P
FIS-0710-0019G	MS-710 Barcode Reader,Raster,High Density,RS232,Case Mount	\$1,750	P
FIS-0710-0022G	MS-710 Barcode Reader,Single Line,High Density,RS232,Base Mount	\$1,750	P
FIS-0710-0023G	MS-710 Barcode Reader,Raster,High Density,RS232,Base Mount	\$1,750	P
FIS-0710-0025G	MS-710 Barcode Reader,Raster,High Density,RS232,Right Angle,Base Mount	\$1,810	P
FIS-0710-0035G	MS-710 Barcode Reader,Single Line,RS232,Base Mount,Special Software	\$1,750	P
FIS-0710-0037G	MS-710 Barcode Reader,Raster,High Density,RS232,Right Angle,Base Mount	\$1,810	P

# MICROSCAN.

## MS-820

Part Number	Description	List Price	Type
FIS-0820-0001G	MS-820 Barcode Reader,Single Line,Low Density	\$1,750	P
FIS-0820-0002G	MS-820 Barcode Reader,Single Line,High Density	\$1,750	P
FIS-0820-0003G	MS-820 Barcode Reader,Raster,Low Density	\$1,860	P
FIS-0820-0004G	MS-820 Barcode Reader,Raster,High Density	\$1,860	P
FIS-0820-0009G	MS-820 Barcode Reader,Single Line,Medium Density	\$1,750	P
FIS-0820-0010G	MS-820 Barcode Reader,Raster,Medium Density	\$1,860	P
FIS-0820-0011G	MS-820 Barcode Reader,Single Line,High Density	\$1,750	P
FIS-0820-0012G	MS-820 Barcode Reader,Raster,High Density	\$1,860	P
FIS-0820-0014G	MS-820 Barcode Reader,Raster,High Density	\$1,860	P
FIS-0820-0015G	MS-820 Barcode Reader,Raster,Medium Density,Special Software (Pharmacode)	\$1,860	P
FIS-0820-0017G	MS-820 Barcode Reader,Single Line,Low Density,HT	\$1,860	P
FIS-0820-0018G	MS-820 Barcode Reader,Raster,Low Density,HT	\$1,980	P

## Quadrus MINI Series

Part Number	Description	List Price	Type
FIS-6300-2005G	Quadrus MINI,3 Megapixel Imager,Standard Density,232/422/485,5VDC,QMODE	\$2,511	P
FIS-6300-2006G	Quadrus MINI,3 Megapixel Imager,Micro Density,232/422/485,5VDC,QMODE	\$2,511	P
FIS-6300-2007G	Quadrus MINI,3 Megapixel Imager,Standard Density,USB,5VDC,QMODE	\$2,590	P
FIS-6300-2001G	Quadrus MINI 3 Megapixel Imager,Standard Density,Serial,5VDC	\$2,860	P
FIS-6300-2002G	Quadrus MINI 3 Megapixel Imager,Micro Density,Serial,5VDC	\$2,860	P
FIS-6300-2009G	Quadrus MINI,3 Megapixel Imager,Standard Density,USB+I/O,5VDC	\$2,960	P
FIS-6300-2010G	Quadrus MINI,3 Megapixel Imager,Micro Density,USB+I/O,5VDC	\$2,960	P
FIS-6300-4001G	MINI Hawk High Resolution,Standard Density,Serial,5VDC	\$2,390	P
FIS-6300-4002G	MINI Hawk High Resolution,High Density,Serial,5VDC	\$2,390	P
FIS-6300-4003G	MINI Hawk High Resolution,Ultra High Density,Serial,5VDC	\$2,390	P
FIS-6300-4004G	MINI Hawk High Resolution,Standard Density,USB+I/O,5VDC	\$2,470	P
FIS-6300-4005G	MINI Hawk High Resolution,High Density,USB+I/O,5VDC	\$2,470	P
FIS-6300-4006G	MINI Hawk High Resolution,Ultra High Density,USB+I/O,5VDC	\$2,470	P
FIS-6300-5001G	MINI Hawk High Speed, Standard Density, Serial, 5VDC	\$2,390	P
FIS-6300-5002G	MINI Hawk High Speed, Ultra High Density, Serial, 5VDC	\$2,390	P
FIS-6300-5003G	MINI Hawk High Speed, Standard Density, USB+I/O, 5VDC	\$2,470	P
FIS-6300-5004G	MINI Hawk High Speed, Ultra High Density, USB+I/O, 5VDC	\$2,470	P
FIS-6300-0001G	Quadrus MINI Megapixel Imager,Standard Density,Serial,5VDC	\$1,990	P
FIS-6300-0002G	Quadrus MINI Megapixel Imager,High Density,Serial,5VDC	\$1,990	P
FIS-6300-0003G	Quadrus MINI Megapixel Imager,Ultra High Density,Serial,5VDC	\$1,990	P
FIS-6300-0013G	Quadrus MINI Megapixel Imager,Standard Density,USB+I/O,5VDC	\$2,090	P
FIS-6300-0014G	Quadrus MINI Megapixel Imager,High Density,USB+I/O,5VDC	\$2,090	P
FIS-6300-0015G	Quadrus MINI Megapixel Imager,Ultra High Density,USB+I/O,5VDC	\$2,090	P
FIS-6300-3001G	Quadrus MINI Velocity, Standard Density, Serial, 5VDC	\$1,990	P
FIS-6300-3002G	Quadrus MINI Velocity, Ultra High Density, Serial, 5VDC	\$1,990	P
FIS-6300-3009G	Quadrus MINI Velocity, Standard Density, USB+I/O, 5VDC	\$2,090	P
FIS-6300-3010G	Quadrus MINI Velocity, Ultra High Density, USB+I/O, 5VDC	\$2,090	P
FIS-6300-1001G	Quadrus MINI,Standard Density,ESD Safe,RS-232/422/485,5VDC	\$2,990	P
FIS-6300-1002G	Quadrus MINI,High Density,ESD Safe,RS-232/422/485,5VDC	\$2,990	P
FIS-6300-1003G	Quadrus MINI,Ultra High Density,ESD Safe,RS-232/422/485,5VDC	\$2,990	P
FIS-6300-1004G	Quadrus MINI,Standard Density,ESD Safe,USB,5VDC	\$3,090	P
FIS-6300-1005G	Quadrus MINI,High Density,ESD Safe,USB,5VDC	\$3,090	P
FIS-6300-1006G	Quadrus MINI,Ultra High Density,ESD Safe,USB,5VDC	\$3,090	P

## HS-2D Hand Held

Part Number	Description	List Price	Type
98-000107-01	HS-2D Handheld Reader, 2D Barcode, 6' USB Cable	\$475	P
98-000074-04	Interface Kit, Handheld Reader, RS-232, 8 ft coiled cable, USA Power Supply	\$77	A
98-000074-05	Interface Kit, Handheld Reader, RS-232, 8 ft coiled cable, Europe Power Supply	\$110	A
98-000074-06	Interface Kit, Handheld Reader, RS-232, 8 ft coiled cable, UK Power Supply	\$121	A
98-000153-02	HANDHELD READER STND,HS-2D/MOBILE HAWK	\$164	A

## MS-Q Basic Rugged

Part Number	Description	List Price	Type
FIS-6150-0028G*	MS-Q Basic Handheld Reader, Standard Resolution, USB 6ft.	\$795	P
FIS-6150-0029G*	MS-Q Basic Handheld Reader, Standard Resolution, Batch/Battery w/6ft USB CABLE	\$945	P
FIS-6150-0031G*	MS-Q Basic Handheld Reader, Standard Resolution, Bluetooth w/6ft USB CABLE	\$1,095	P



# MICROSCAN.

## MS-Q Quadrus

Part Number	Description	List Price	Type
FIS-6100-0047G*	MS-Q Quadrus Handled Reader, 2D, High Resolution, USB 6ft	\$1,900	P
FIS-6100-0048G*	MS-Q Quadrus Handled Reader, 2D, High Resolution, Batch/Battery w/6ft USB CABLE	\$2,060	P
FIS-6100-0050G*	MS-Q Quadrus Handled Reader, 2D, High Resolution, Bluetooth w/6ft USB CABLE	\$2,270	P
FIS-6100-0051G*	MS-Q Quadrus Handled Reader, 2D, Standard Resolution, USB 6ft.	\$1,900	P
FIS-6100-0052G*	MS-Q Quadrus Handled Reader, 2D, Standard Resolution, Batch/Battery w/6ft USB CA	\$2,060	P
FIS-6100-0054G*	MS-Q Quadrus Handled Reader, 2D, Standard Resolution, Bluetooth w/6ft USB CABLE	\$2,220	P
FIS-6100-0053G*	MS-Q Quadrus Handled Reader, 2D, Standard Resolution, Image Lock, USB 6ft	\$2,110	P

\* = Includes 6ft USB Cable; PS/2 and RS-232 are optional and the appropriate cable must be purchased separately.

H2 = Battery Blank Handle

BH2 – 3900 mAH Battery Option

## HawkEye 40T Handled

Part Number	Description	List Price	Type
FIS-HT40-1G*	Hawkeye 40T Handheld Reader, Standard Range, USB 6 ft	\$2,185	P
FIS-HT40-6G	Hawkeye 40T Handheld Reader, Standard Range, Bluetooth, w/6ft USB CABLE	\$2,611	P
FIS-HT40-8G	Hawkeye 40T Handheld Reader, Standard Range, Batch/Battery, w/6ft USB cable	\$2,427	P

\* = Includes 6ft USB Cable; PS/2 and RS-232 are optional and the appropriate cable must be purchased separately.

H2 = Battery Blank Handle

BH2 – 3900 mAH Battery Option

## HawkEye 45T Series

Part Number	Description	List Price	Type
FIS-HT45-1G*	Hawkeye 45T Handheld Reader, Display&Keypad, Standard Range, USB 6 ft	\$2,555	P
FIS-HT45-6G	Hawkeye 45T Handheld Reader, Bluetooth, Display&Keypad, Standard Range, USB 6 ft	\$2,980	P
FIS-HT45-8G	Hawkeye 45T Handheld Reader, Batch/Battery, Display&Keypad, Std. Range, USB 6 ft	\$2,795	P

\* = Includes 6ft USB Cable; PS/2 and RS-232 are optional and the appropriate cable must be purchased separately.

H2 = Battery Blank Handle

BH2 – 3900 mAH Battery Option

## MS-Q RS-232 Kits

Part Number	Description	List Price	Type
98-000074-04	Interface Kit, Handheld Reader, RS-232, 8 ft coiled cable, USA Power Supply	\$77	A
98-000074-05	Interface Kit, Handheld Reader, RS-232, 8 ft coiled cable, Europe Power Supply	\$110	A
98-000074-06	Interface Kit, Handheld Reader, RS-232, 8 ft coiled cable, UK Power Supply	\$121	A

## MS-Q Battery Charger

Part Number	Description	List Price	Type
<b>H1 Handle Chargers</b>			
98-000075-04	KIT,2-BAY BATTERY CHARGER,USA,MS-Q	\$165	A
98-000075-05	Kit, 2-Bay Battery Charger for H1 Batteries, Europe Power Supply	\$193	A
98-000075-06	Kit, 2-Bay Battery Charger for H1 Batteries, UK Power Supply	\$220	A
<b>BH2 Battery Handle Cable Chargers</b>			
98-000075-07	KIT, CABLED BATTERY CHARGER, MS-Q,USA	\$83	A
98-000075-08	Kit, Cable Battery Charger for BH2, Europe Power Supply	\$110	A
98-000075-09	Kit, Cable Battery Charger for BH2, UK Power Supply	\$138	A
<b>BH2 Battery Handle Charging Bay*</b>			
98-000075-10	Kit, Charging Bay for BH2, USA Power Supply	\$110	A
98-000075-11	KIT,CHARGING BAY,BH1 & BH2,MS-Q,EURO,P/S	\$138	A
98-000075-12	KIT,CHARGING BAY,BH1 & BH2,MS-Q,UK,P/S	\$165	A
98-000075-13	KIT,CHARGING BAY,BH1 & BH2,MS-Q,(NO P/S)	\$83	A

## MS-Q Bluetooth

Part Number	Description	List Price	Type
98-000076-11	Kit, Bluetooth Modem, RS-232, USA Power Supply	\$495	A
98-000076-12	KIT, BLUETOOTH MODEM, MS-Q, EURO	\$523	A
98-000076-13	KIT, BLUETOOTH MODEM, MS-Q, UK	\$545	A
98-000076-14	KIT,BLTH MODEM,USB CBLD(NO P/S)	\$440	A

## MS-Q Power Supplies

Part Number	Description	List Price	Type
20-000335-02	POWER SUPPLY, HANDHELD SCANNER, WALL MOUNT, 90-264 VAC, +5VDC, 1.5A, USA PLUG	\$33	A
20-000336-02	POWER SUPPLY, HANDHELD SCANNER, WALL MOUNT, 90-264 VAC, +5VDC, 1.5A, EURO PLUG	\$72	A
20-000337-02	POWER SUPPLY, HANDHELD SCANNER, WALL MOUNT, 90-264 VAC, +5VDC, 1.5A, UK PLUG	\$88	A

# MICROSCAN.

## MS-Q Accessories

Part Number	Description	List Price	Type
FIS-0210-0001G	MS-Connect 210,Connectivity Box with Display	\$849	A
FIS-0210-0002G	MS-Connect 210,Connectivity Box	\$549	A
FIS-0210-0003G	MS-Connect 210,Connectivity Box with Display and Ethernet	\$949	A
FIS-0210-0004G	MS-Connect 210,Connectivity Box with Ethernet	\$849	A
98-000013-04	Relay Module,120VAC,3 Amp Output,Series 70,Type SM,for MS-Connect 210 + MS-890	\$52	A
98-000013-05	Relay Module,240VAC,3 Amp Output,Series 70,Type SM for MS-Connect 210 + MS-890	\$52	A
98-000013-06	Relay Module, 24VDC, 3 Amp Output, Series 70, Type SM for MS-Connect 210	\$52	A
61-000066-02	Cable coiled, MS-Connect 210 to MS-Q, (must be stripped by user before wiring)	\$88	A
12-000215-06	Rugged Handle, Battery Blank (H2)	\$109	A
12-000215-08	Rugged Handle, 3900mAH Battery (BH2)	\$274	A
60-000008-02	Cable, 8' coiled, RS-232 interface	\$50	A
60-000009-02	Cable, 6' straight, USB interface	\$50	A
60-000031-01	Cable, 12' straight, USB interface	\$77	A
60-000018-03	CBLE,PS2 INTERFACE, REV 5 HDWARE, 4 WIRE	\$60	A
98-000077-13*	Demo Kit, MS-Q (includes Bluetooth modem)	\$695	A

\* This Demo Kit does not contain a reader and is discounted 25%. The separately purchased reader is discounted 60%.

## Legacy Auto ID Accessories

Part Number	Description	List Price	Type
61-000121-02	Cable, MS-820 to MS-Connect 210, 3 ft	\$33	LA
61-000124-01	Cable, Quadrus EZ with onboard Ethernet to MS-Connect 210, Ethernet, 6 ft	\$110	A
61-000128-01	Cable, external Micro-Change to internal Ethernet module, MS-Connect 210, 8 in.	\$55	A
61-000136-01	Cable, Ethernet Cross over, CAT5, 10FT	\$33	A
61-000139-01	Cable, To MS-Connect 210, Host RS-422/485 for Multidrop, 6 ft	\$110	A
61-000033-02	Cable, Video I/O, 10 ft	\$33	A
61-000095-01	Cable, IB-150 to IB-131 adapter	\$33	A
61-000032-02	Cable, Quadrus EZ to IB-150	\$33	A

# MICROSCAN.

## NERLITE Legacy Accessories

Part Number	Description	List Price	Type
NER-030029100	Cable, Nerlight,M12 5 pin to open end	\$55	A
NER-011503800	Nerlite, LC-50 current controller, 0.35A,input 40VDC max	\$210	A
NER-011503801	Nerlite, LC-50 current controller, 0.7A, input 40VDC max	\$210	A
NER-011503802	Nerlite, LC-50 current controller, 1.05A, input 40VDC max	\$210	A

## GigE Cameras

Part Number	Description	List Price	Type
98-000113-01	Visionscape GiGe camera, WVGA Mono, CMGC03, 752x480 pixels CMOS	\$1,200	A
98-000114-01	Visionscape GiGe camera, WVGA Color, CMGC03C, 752x480 pixels CMOS	\$1,200	A
98-000121-01	Visionscape GiGe camera, VGA Mono, CMG03P, 656x494 pixels CCD Power o. Ethernet	\$1,500	A
98-000124-01	GigE 4 Port Ethernet switch, Power over Ethernet Injection	\$765	A
98-000125-01	GigE Power Midspan power injector, 2 inputs & 2 outputs	\$435	A

## Machine Vision Optical

Part Number	Description	List Price	Type
98-92800572	Lens 12mm F/1.8-16, Front thread 25.5mm P 0.5mm, 2/3" C-mount	\$385	A
98-92800573	LENS,16MM,F1.4-16,2/3" C-MOUNT	\$385	A
98-92800574	LENS,25MM,F1.6-16,2/3" C-MOUNT	\$385	A
NER-92700592	STROBE SOURCE X-400 1201-3600 PPM	\$4,620	A

## Machine Vision Camera

Part Number	Description	List Price	Type
98-030161702	Cable, diect breakout to 4 cameras, Dsub, 6ft	\$520	A
98-030161701	Cable, diect breakout to 4 cameras, Dsub, 18"	\$485	A
98-030161700	Cable, diect breakout to 4 cameras, Dsub, 8"	\$485	A
98-030161600	Cable, diect breakout to 2 cameras, Dsub, 8"	\$380	A
98-A1206395	Cameralink signal cable 5m	\$485	A
98-A1201502	Camera video & power cable	\$605	A
98-VS01-0CX0	CAMERA, ANALOG, A33A VGA PROG 640"x494"	\$1,080	A
98-VS03-1XC0	Hi-res camera video and power cable 10ft/3m (for 98-VS01-0CX0 & 98-VS31-0CX0)	\$335	A
98-VS07-1XC0	Hi-res camera video and power cable 25ft/7.5m (for 98-VS01-0CX0 & 98-VS31-0CX0)	\$370	A
98-VS15-1XC0	CABLE, PROGRESSIVE SCAN CAMERA, 50 FT	\$435	A
98-VS31-0CX0	Analog camera, A152A, SXGA Progressive scan	\$2,420	A

## Visionscape PC Boards

Part Number	Description	List Price	Type
GMV-VS81-0FP0	Visionscape 0800 PCI board. Includes Visionscape software	\$8,250	P
GMV-VS74-0FP0	Visionscape 0740 PCI board. Includes Visionscape software	\$8,250	P

## Visionscape Board

Part Number	Description	List Price	Type
98-S00-0SW1	Visionscape software V3.7 CD	\$45	A
GMV-S00-1KF0	INTELLIFIND DONGLE,DEPLOYMENT PARALLEL	\$1,205	A
GMV-S00-1KS0	VISIONSCAPE DONGLE ASSEMBLY	\$4,230	A
GMV-S00-2KF0	Visionscape Intellifind USB dongle for use with 0740 and 0800 board	\$1,205	A
GMV-S00-2KS0	VISIONSCAPE USB DONGLE ASSEMBLY	\$4,230	A

## VS-1 Smart Camera

Part Number	Description	List Price	Type
GMV-0HT16-1CM1G	VS-1,SMARTCAM 1610TS STD W/VS,NO ITELLIF	\$5,475	P
GMV-0HF16-1CM1G	VS-1,SMARTCAM,1610TISE W/VS & INTELLI	\$6,050	P
GMV-1HT16-1CM1G	VS-1,SMARTCAM 1610THE HI-RES NOINTELLIFD	\$7,150	P
GMV-1HF16-1CM1G	VS-1,SMARTCAM 1610TIHE HR & INTELLIFIND	\$7,725	P
98-000214-01*	VS-1 starter Kit, Lenses, P/S, Ring Light, Cbls, Demo Stand (VS-1 excluded)	\$1,720	A

\* This Demo Kit does not contain a VS-1 and is discounted 25%. The separately purchased reader is discounted 60%.

# MICROSCAN.

## VS-1 Smart Camera

Part Number	Description	List Price	Type
98-HT00-0CD2	CBL, SERIAL, M12-8 TO DB9 FEMALE 2M	\$180	A
98-HT00-0CEO	VS-1 Ethernet cable, M12 to RJ45, 10m	\$130	A
98-HT00-0CE2	CABLE, ETHERNET M12-4 TO RJ-45 2M	\$85	A
98-HT00-0CL5	VS-1 lighting cable, M5, open end, 5m	\$90	A
98-HT00-0CM1	VS-1 camera mount adapter, M6 & 1/4 19	\$85	A
98-HT00-0CM2	ADPT,CAMERA MNT BACKWARD COMPATIBLE	\$220	A
98-HEDSL	ASSY,DEMO STAND,HAWKEYE LONG SHAFT	\$260	A
98-HT00-0CP0	CBL, POWER & I/O M12-8 SGL-END 10M	\$160	A
98-HT00-0CS0	VS-1 Serial interface and secondary I/O cable, M12-8, open end, 10m	\$160	A
98-HT00-0LD1	DOAL 50 light with VS-1 direct connect	\$800	A
98-HT00-0LF1	DF100 light with VS-1 direct connect	\$720	A
98-HT00-0LM1	HAWKEYE 1600T LIGHT MOUNT ADAPTER	\$590	A
98-HT00-0LR1	R-60-2 V2, R LED-D, 12V-C, 0.5M [1.5']	\$505	A
98-HT00-0PS0	VS-1 power supply, universal, M12	\$270	A
98-HT00-0TA1	VS-1 IP67 VS100 glass lens protection tube with adapter	\$495	A
98-HT00-0TA2	KIT, HE1610T IP67 LENS PROTECTION TUBE,	\$495	A
98-HT00-0LP1G	VS-1 Direct Connect Pharma Light, White, Dark Field, Strobe 1.5" x 2" FOV	\$930	A

## HawkEye 1500

Part Number	Description	List Price	Type
FIS-HE15-0CS0	Hawkeye 1510 DPM reader,, CS/C-mount	\$3,850	P
FIS-HE15-1HD0	Hawkeye 1515HD DPM reader, on axis light	\$4,395	P
FIS-HE15-1LD0	Hawkeye 1515LHD DPM reader, on axis light	\$4,395	P
FIS-HE15-1MD0	Hawkeye 1515MD DPM reader, on axis light	\$4,395	P
FIS-HE15-1SD0	Hawkeye 1515SHD DPM reader, on axis light	\$4,395	P
FIS-HE15-1UD0	Hawkeye 1515UHD DPM reader, on axis light	\$4,395	P
FIS-HE15-2HD0	Hawkeye 1525HD DPM reader, dark field light	\$4,395	P
FIS-HE15-2SD0	Hawkeye 1525SHD DPM reader, dark field light	\$4,395	P
FIS-HE15-2UD0	Hawkeye 1525UHD DPM reader, dark field light	\$4,395	P
FIS-E1515VLHD	Hawkeye 1515VLHD VLNG-DEN bright field reader	\$4,395	P
FIS-E1515HDXL	Hawkeye 1515HD without laser	\$4,075	P

All HE 15XX readers come with base mount adaptor and serial cable standard. All that is needed is a power supply.

## HawkEye 1500 Verifiers

Part Number	Description	List Price	Type
FIS-HE15-1HV0	Hawkeye 1515HD DPM verifier, on axis light	\$6,050	P
FIS-HE15-1LV0	Hawkeye 1515LHD DPM verifier, on axis light	\$6,050	P
FIS-HE15-1MV0	Hawkeye 1515MD DPM verifier, on axis light	\$6,050	P
FIS-HE15-1SV0	Hawkeye 1515SHD DPM verifier, on axis light	\$6,050	P
FIS-HE15-1UV0	Hawkeye 1515UHD DPM verifier, on axis light	\$6,050	P
FIS-HE15-2CV0	Hawkeye 1510 DPM verifier, CS/C mount	\$5,495	P
FIS-HE15-2HV0	Hawkeye 1525HD DPM verifier, dark field light	\$6,050	P
FIS-HE15-2SV0	Hawkeye 1525SHD DPM verifier, dark field light	\$6,050	P
FIS-HE15-2UV0	Hawkeye 1525UHD DPM verifier, dark field light	\$6,050	P

<sup>1</sup> Verifier versions support ISO 16022, ISO15416, Custom Verification, and AIM DPM – 1 – 2006

All HE 15XX readers come with base mount adaptor and serial cable standard. All that is needed is a power supply.

## Hawkeye 1500 Accessories

Part Number	Description	List Price	Type
98-AC00-0BM5	Hawkeye 1500 base mounting adapter	\$50	A
98-AC00-0EB0	SMART CAMERA 8PT I/O W/10' CABLE	\$715	A
98-AC00-0EC5	Hawkeye 1500 IP65 enclosure glass window	\$1,643	A
98-AC00-0EC6	Hawkeye 1500 IP65 enclosure polycarbonate window	\$1,643	A
98-AC00-0PC6	CBL,HAWKEYE DC PWR SGL-ENDED 6FT	\$105	A
98-AC00-0SA0	3 color light stack, connects to Hawkeye 1500	\$544	A
98-AC00-0SC0	Hawkeye 1500 SERIAL COMMUNICATIONS CABLE	\$39	A
98-HESC010	Hawkeye 1500 serial interface cable	\$45	A
98-HEDSL	ASSY,DEMO STAND,HAWKEYE LONG SHAFT	\$260	A
98-HE15-0PS0	Hawkeye 1500 power supply, 24V, 100-250V	\$155	A
98-LG00-0XX0	HAWKEYE 1500 LED LTG HOOD ARRAY	\$544	A
98-LG14-0XX0	Hawkeye 1500 Light mount, DF100 or DF150 (HELTMA 1L-M)	\$347	A
98-LG15-0XX0	ASSY,HE1500 R-100 V2 MOUNT LONG	\$373	A
98-LG16-0XX0	Hawkeye 1500 Light mount, R60 ring (HELTMA 3L-M)	\$315	A
98-LG17-0XX0	ASSY,HE1500 DOAL-50 V2 MOUNT LONG	\$325	A
98-LG18-0XX0	Hawkeye 1500 strobe interface kit *	\$1,056	A
98-HEDS	Hawkeye 1500 demo stand	\$235	A
98-HECONNPS	CONNECTOR KIT, HE1500 POWER SUPPLY	\$22	A
98-HECONNIO	CONNECTOR KIT HE1500 I/O	\$39	A
98-HEBMA4	Hawkeye 15 to Hawkeye 1515 base mount adapter	\$83	A
98-99000561	ADAPTER,HD-SUB 15 POS TO TERM BLOCK	\$116	A
98-96601833	CBL, HD-SUB 15 POS M/M 25 FT.	\$82	A
98-96601832	CBL, HD-SUB 15 POS M/M 15 FT.	\$67	A
98-96601831	CBL, HD-SUB 15 POS M/M 10 FT.	\$61	A
NER-011601504	Nerlite, DF-100, Red, Darkfield, Hawkeye1510	\$563	A
NER-011605096	Nerlite, R-60-2, Red, Ring, Hawkeye1510	\$392	A
NER-011604805	Nerlite, R-70-2, Red, Ring, Hawkeye1510	\$392	A
NER-011607006	Nerlite, R-100-2, Red, Ring, Hawkeye1510	\$509	A
NER-011200913	Nerlite, DOAL 50mm, Red, Hawkeye 1510	\$615	A
NER-011200935	Nerlite, DOAL 50mm, Blue, Hawkeye 1510	\$615	A
NER-011023801	Hawkeye 1515, Brightfield light, Blue	\$615	A
98-UA10-0CC0	UID verifier calibration test card	\$159	A
FIS-HEDPMVER-A0	Hawkeye 15xx verifier licence only	\$1,500	P
FIS-HEDPMDEMO**	Demo Kit, HE1525HD verifier,, P/S, cables, stand, verifier, lic., stack light verifier lic., stack light	\$5,495	P

## Visionscape I-PAK

Part Number	Description	List Price	Type
GMV-IP16-0HE1	I-PAK HE Pharma Industry 21 CFR part 11 GUI for VS-1 Smart Camera, V 3.7.3	\$1,095	P

## EZ Match Demo Kits

Part Number	Description	List Price	Type
FIS-0004-1000G	MS-4 EZ MATCH,LD,232/422/485,5V	\$2,750	L
FIS-0004-1001G	MS-4 EZ MATCH,3MP,COLOR,LD,232/422/485	\$3,300	L

## MS-96 Vial Reader

Part Number	Description	List Price	Type
FIS-VRKIT2	VIAL READER WITH 25 FT INTERFACE CABLE	\$11,500	P
FIS-VRKIT1	VIAL READER WITH 10 FT INTERFACE CABLE	\$11,500	P

## Software/Manuals

Part Number	Description	List Price	Type
37-000010-01*	TOOLS DRIVE, User Documentation, Software	\$30	A

\*One free per order