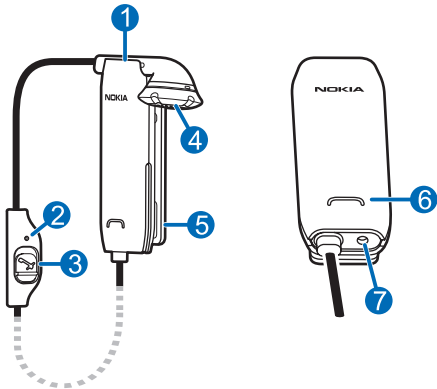
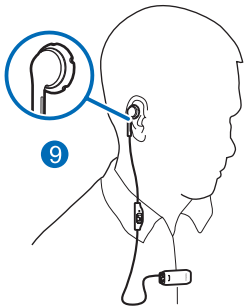
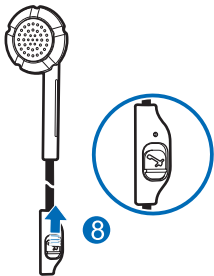


# Nokia Bluetooth Headset BH-218

---





**DECLARATION OF CONFORMITY**

Hereby, NOKIA CORPORATION declares that this BH-218 product is in compliance with the essential requirements and other relevant provisions of Directive 1999/5/EC. A copy of the Declaration of Conformity can be found at [http://www.nokia.com/phones/declaration\\_of\\_conformity/](http://www.nokia.com/phones/declaration_of_conformity/).

The image shows the CE mark, which consists of the letters 'C' and 'E' in a stylized, bold font, followed by the number '0560' in a similar bold font.

© 2010 Nokia. All rights reserved.

Nokia, Nokia Connecting People and the Nokia Original Accessories logo are trademarks or registered trademarks of Nokia Corporation. Nokia tune is a sound mark of Nokia Corporation. Other product and company names mentioned herein may be trademarks or tradenames of their respective owners.

Reproduction, transfer, distribution, or storage of part or all of the contents in this document in any form without the prior written permission of Nokia is prohibited. Nokia operates a policy of continuous development. Nokia reserves the right to make changes and improvements to any of

the products described in this document without prior notice.

Bluetooth is a registered trademark of Bluetooth SIG, Inc.

To the maximum extent permitted by applicable law, under no circumstances shall Nokia or any of its licensors be responsible for any loss of data or income or any special, incidental, consequential or indirect damages howsoever caused.

The contents of this document are provided "as is". Except as required by applicable law, no warranties of any kind, either express or implied, including, but not limited to, the implied warranties of merchantability and fitness for a particular purpose, are made in relation to the accuracy, reliability or contents of this document. Nokia reserves the right to revise this document or withdraw it at any time without prior notice.

The availability of products may vary by region. For more information, contact your Nokia dealer. This device may contain commodities, technology or software subject to export laws and regulations from the US and other countries. Diversion contrary to law is prohibited.

## Introduction

---

With the Nokia Bluetooth Headset BH-218, you can handle calls easier than ever. To answer a call, just pick up the earpiece and talk. The headset automatically switches on, connects to your device, and answers the call.

Read this user guide carefully before using the headset. Also, read the user guide for the compatible device that you connect to the headset.

This product may contain small parts. Keep them out of the reach of small children.

The surface of this device is nickel-free.

### **Bluetooth wireless technology**

Bluetooth wireless technology allows you to connect compatible devices without cables. The headset and the other device do not need to be in line

of sight, but they should be within 10 metres (33 feet) of each other.

Connections may be subject to interference from obstructions, such as walls, or other electronic devices.

The headset is compliant with the Bluetooth Specification 2.1 + EDR supporting the Headset Profile 1.1 and Hands-Free Profile 1.5. Check with the manufacturers of other devices to determine their compatibility with this device.

## Get started

The headset contains the following parts shown on the title page: storage slot with indicator light (1), microphone (2), mute switch (3), earpiece (4), clip (5), answer/end key (6), and charger connector (7).

Before using the headset, you must charge the battery and pair the headset with a compatible device.

Parts of the device are magnetic. Metallic materials may be attracted to the device. Do not place credit cards or other magnetic storage media near the device, because information stored on them may be erased.

### Charge the battery

Before charging the battery, carefully read "Battery and charger information".

1. Connect the charger to a wall outlet.

2. Connect the charger cable to the charger connector.

The red indicator light is displayed during charging. Charging the battery fully may take up to 2 hours.

3. When the battery is fully charged, the green indicator light is displayed. Disconnect the charger from the headset, then from the wall outlet.

When you unplug a charger, hold and pull the plug, not the cord.

The fully charged battery has power for up to 8 hours of talk time. When you keep the earpiece in the storage slot, the fully charged battery has power for up to 3 months of standby time. When you do not keep the earpiece in the slot, the standby time is up to 150 hours.

To check the battery charge when the headset is not connected to a charger, press the answer/end key when the headset is connected to a mobile device. If the indicator light is green, the charge level is sufficient. If the light is yellow, you may need to recharge the battery soon. If the light is red, recharge the battery.

When the battery charge is low, the headset beeps every 5 minutes, the red indicator light flashes, and if voice prompts are activated, there is an audible notification. If voice prompts are activated, there is also an audible notification when the battery is completely discharged.

### **Switch the headset on**

Remove the earpiece from the storage slot. The headset beeps, and the green indicator light flashes slowly while the headset tries to connect to the last or two last connected devices.

When the headset is connected to at least one device and is ready for use, the blue indicator light flashes slowly. If the headset has not been paired with a device, it automatically enters pairing mode.

### **Switch the headset off**

Place the earpiece into the storage slot. The headset beeps, and the red indicator light is briefly displayed.

If the headset is not connected to a device within about 30 minutes, it switches off automatically.

### **Pair and connect the headset**

Before using the headset, you must pair and connect it to a compatible device.

You can pair the headset with up to eight devices, but you can connect it to a maximum of two devices at a time.

If voice prompts are activated, the headset guides you with audible notifications when you pair and connect it.

To pair and connect the headset to a device:

1. Make sure your mobile device is switched on and the headset is off.
2. If the headset has not been previously paired with a device, switch on the headset. The headset enters pairing mode, and the blue indicator light starts to flash quickly.

If the headset has been previously paired with a device, to activate pairing mode, make sure the earpiece is placed in the storage slot, and remove the earpiece from the slot while you press and hold the answer/end key for about 5 seconds. The blue indicator light starts to flash quickly.

3. Within about 3 minutes, activate Bluetooth on your device, and set it to search for Bluetooth devices. For details, see the user guide of your mobile device.
4. Select the headset from the list of found devices.
5. If necessary, enter the passcode **0000** to pair and connect the headset to your device.

In some devices, you may need to make the connection separately after pairing.

When the headset is connected to at least one device and is ready for use, the blue indicator light flashes slowly.

To manually connect the headset to the last used device, press and hold the answer/end key for about 2 seconds (when no other device is connected), or make the connection in the Bluetooth menu of the device.

You may be able to set your device so that the headset connects to it automatically. To activate this feature

in a Nokia device, modify the paired device settings in the Bluetooth menu.

## Basic use

---

### Select the earpad

The headset may be provided with different sized earpads. Select the earpad that fits the best for your ear.

To change the earpad, pull the current earpad from the earpiece, and push the new earpad into place.

### Wear the headset and store the earpiece in the slot

Use the clip to attach the headset to your clothing (9).

To use the headset for calling, gently push the earpiece into your ear.

To have the earpiece within easy reach when you do not use the headset,

place the earpiece into the storage slot.

When the earpiece is in the slot, the headset is switched off. When you remove the earpiece from the slot, the headset automatically switches on.

To place the earpiece into the slot, press the earpiece so that it stays firmly in place. To remove the earpiece from the slot, pull it out.

### Change the volume

The headset automatically adjusts the volume according to ambient noise.

The selected volume level is saved for the device that is currently connected to the headset.



## Calls

To make a call, use your mobile device in the normal way when the headset is connected to it.

To redial the number you last called (if your mobile device supports this feature with the headset), when no call is in progress, press the answer/end key twice when the earpiece is not in the storage slot.

To activate voice dialling (if your mobile device supports this feature with the headset), when no call is in progress, press and hold the answer/end key for about 2 seconds when the earpiece is not in the storage slot. Proceed as described in the user guide of the mobile device.

To answer a call, remove the earpiece from the storage slot. The headset automatically switches on, connects to your device, and answers the call. If the earpiece is not in the storage slot,

press the answer/end key. To reject a call, press the answer/end key twice, or place the earpiece into the storage slot.

To end a call, place the earpiece into the storage slot, or press the answer/end key when the earpiece is not in the storage slot.

To mute the microphone, slide the mute key towards the microphone (8). The red area of the mute switch is displayed. To unmute the microphone, slide the mute key to the opposite direction.

To switch a call between the headset and a compatible connected device, press and hold the answer/end key for about 2 seconds.

## Connect to two devices

The headset can be connected to two devices at the same time.

## Pair and connect to two devices

To pair the headset with two devices, switch off the headset, activate pairing mode, and pair it with the first device. Switch off the headset, activate pairing mode, and pair it with the second device.

To connect the headset to the two devices, switch the headset off and back on.

## Handle calls

If the headset can connect to two devices at the same time and you use redialling or voice dialling, the call is made on the device that you last used to make a call when the headset was connected to it.

To answer a call on one connected device and end the active call on the other device, press the answer/end key.

To answer a call on one connected device and put the active call on hold on the other device, press and hold the answer/end key for about 2 seconds.

To end the active call on one connected device and make the call on hold active on the other device, press the answer/end key.

To switch between the active call on one device and the call on hold on the other device, press and hold the answer/end key for about 2 seconds.

## **Activate or deactivate voice prompts**

Press and hold the answer/end key while you remove the earpiece from the slot, and continue to press and hold the key for about 5 seconds. The blue indicator light starts to flash quickly. Press and hold the answer/end key for about 8 seconds.

When you activate the prompts, the green indicator light flashes once. When you deactivate the prompts, the yellow light flashes once. In both cases, there is also an audible notification.

### **Clear pairings**

To clear the pairings from the headset, switch off the headset, and press and hold the answer/end key for about 8

seconds. The headset beeps twice, the red and green indicator lights alternate, and the headset enters pairing mode.

### **Troubleshooting**

If you cannot connect the headset to your compatible device, make sure the headset is charged, switched on, and paired with the device.

## **Battery and charger information**

---

This device has an internal, nonremovable, rechargeable battery. Do not attempt to remove the battery from the device as you may damage the device. This device is intended for use when supplied with power from the following chargers: AC-3, AC-4, AC-5, AC-8, AC-15, DC-4, and DC-9. The exact charger model number may vary depending on the type of plug. The plug variant is identified by one of the

following: E, X, AR, U, A, C, K, or B. The battery can be charged and discharged hundreds of times, but it will eventually wear out.

Talk and standby times are estimates only. Actual times are affected by, for example, device settings, features being used, battery condition, and temperature.

If the battery has not been used for a long time, to begin charging, you may

need to connect the charger, then disconnect and reconnect it.

If the battery is completely discharged, it may take several minutes before the charging indicator is displayed.

When your charger is not in use, unplug it from the electrical plug and the device. Do not leave a fully charged battery connected to a charger, as overcharging may shorten the battery's lifetime. If left unused, a fully charged battery will lose its charge over time.

Always keep the battery between 15°C and 25°C (59°F and 77°F). Extreme temperatures reduce the capacity and lifetime of the battery. A device with a

hot or cold battery may not work temporarily.

Do not dispose of batteries in a fire as they may explode. Dispose of batteries according to local regulations. Recycle when possible. Do not dispose as household waste.

Use the charger for its intended purpose only. Improper use or use of unapproved chargers may present a risk of fire, explosion, or other hazard, and may invalidate any approval or warranty. If you believe the charger is damaged, take it to a service centre for inspection before continuing to use it. Never use a damaged charger. Only use the charger indoors.

## Take care of your device

---

Handle your device, charger and accessories with care. The following suggestions help you protect your warranty coverage.

- Keep the device dry. Precipitation, humidity, and all types of liquids or moisture can contain minerals that corrode electronic circuits. If your

device gets wet, allow it to dry completely.

- Do not use or store the device in dusty or dirty areas. Moving parts and electronic components can be damaged.
- Do not store the device in high temperatures. High temperatures can shorten the life of the device, damage the battery, and warp or melt plastics.
- Do not store the device in cold temperatures. When the device warms to its normal temperature, moisture can form inside the device and damage electronic circuits.
- Do not attempt to open the device.
- Do not drop, knock, or shake the device. Rough handling can break internal circuit boards and mechanics.
- Only use a soft, clean, dry cloth to clean the surface of the device.

- Do not paint the device. Paint can clog the moving parts and prevent proper operation.

### Recycle

Always return your used electronic products, batteries, and packaging materials to dedicated collection points. This way you help prevent uncontrolled waste disposal and promote the recycling of materials. Check product environmental information and how to recycle your Nokia products at [www.nokia.com/werecycle](http://www.nokia.com/werecycle), or with a mobile device, [www.nokia.mobi/werecycle](http://www.nokia.mobi/werecycle).



The crossed-out wheeled-bin symbol on your product, battery, literature, or packaging reminds you that all electrical and electronic products, batteries, and accumulators must be taken to separate collection at the end of their working life. This requirement applies in the European Union. Do not dispose of these products as unsorted municipal

waste. For more information on the environmental attributes of your device, see [www.nokia.com/ecodeclaration](http://www.nokia.com/ecodeclaration).

## FCC/Industry Canada notice

---

This device complies with Part 15 of the FCC Rules. Operation is subject to the following two conditions: 1. This device may not cause harmful interference; and 2. This device must accept any interference received, including interference that may cause undesired operation. This equipment has been tested and found to comply with the limits for a Class B digital device, pursuant to Part 15 of the FCC Rules. These limits are designed to provide reasonable protection against harmful interference in a residential installation. This equipment generates, uses and can radiate radio frequency energy and, if not installed and used in accordance with the instructions, may cause harmful interference to radio communications. However, there is no guarantee that interference will not occur in a particular installation. If this equipment does cause harmful interference to radio or television

reception, which can be determined by turning the equipment off and on, the user is encouraged to try to correct the interference by one or more of the following measures: Reorient or relocate the receiving antenna. Increase the separation between the equipment and receiver. Connect the equipment into an outlet on a circuit different from that to which the receiver is connected. Consult the dealer or an experienced radio/TV technician for help. NOTE: FCC Radiation Exposure Statement: This equipment complies with FCC radiation exposure limits set forth for an uncontrolled environment. This transmitter must not be co-located or operating in conjunction with any other antenna or transmitter. NOTE: Changes or modifications not expressly approved by Nokia could void the user's authority to operate the equipment.