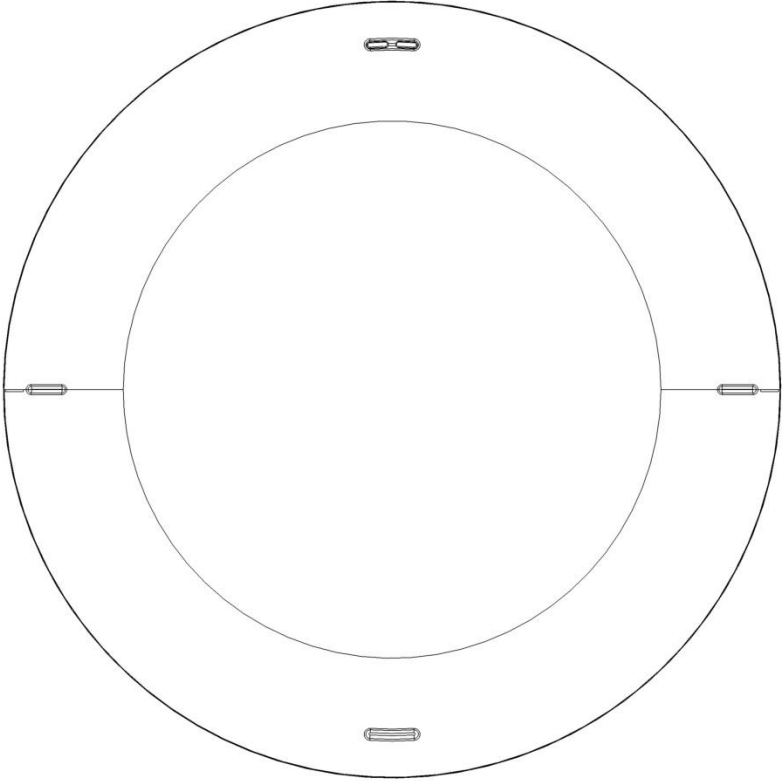


Nokia HAIP Locator LD-6L Installation Guide and Safety Information



Contents

For your safety	3
1. Introduction	4
About this document	4
2. Get started.....	5
Parts	5
Locator main unit.....	6
Mounting bracket.....	7
Connect to power supply.....	8
Option 1: Use Power over Ethernet (PoE).....	8
Option 2: Use separate 12V DC power supply	8
Connect to HAIP network.....	8
Reset factory settings	9
3. Installation.....	10
Safety information.....	10
Install the locator	11
Attach the mounting bracket to the ceiling/wall.....	11
Install the locator to the mounting bracket	12
Product information	14
Technical data.....	14
Care and Maintenance	15
Copyright and other notices	16

For your safety

Read these simple guidelines. Not following them may be dangerous or illegal. Read the complete installation guide for further information.



SWITCH ON SAFETY

Do not switch the device on when the use of wireless devices is prohibited or when it may cause interference or danger



INTERFERENCE

All wireless devices may be susceptible to interference, which could affect performance



QUALIFIED SERVICE

Only qualified personnel may install, configure, or repair this product



ACCESSORIES

Use only approved accessories. Do not connect incompatible products

When connecting to any other device, read its user guide for detailed safety instructions. Do not connect incompatible products.

1. Introduction

Nokia HAIP Locator LD-6L is part of the Nokia HAIP system. Other parts of the HAIP system are HAIP Tag LD-6T and HAIP Positioning Software. The HAIP system allows you to locate and track any objects equipped with HAIP tags in an indoor environment equipped with HAIP locators.

Read this guide carefully before having the locator professionally installed. Also, read the HAIP System User Guide carefully before starting to use the HAIP system. For the latest guides, additional information, and downloads related to your Nokia product, go to www.nokia.com/support.

This product may contain small parts. Keep them out of reach of small children.

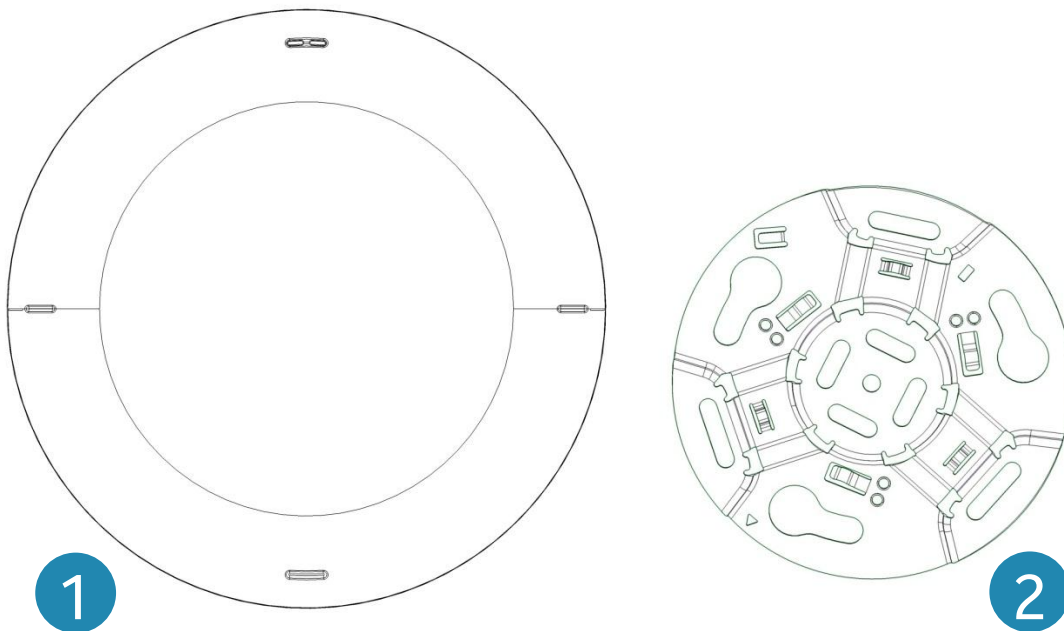
■ About this document

Main features and first use of the locator are described in “Get started”, p.5. Installation to an indoor space is described in “Installation”, p.9. The locator should only be installed by a qualified service technician using the original Nokia parts supplied in the sales package.

2. Get started

■ Parts

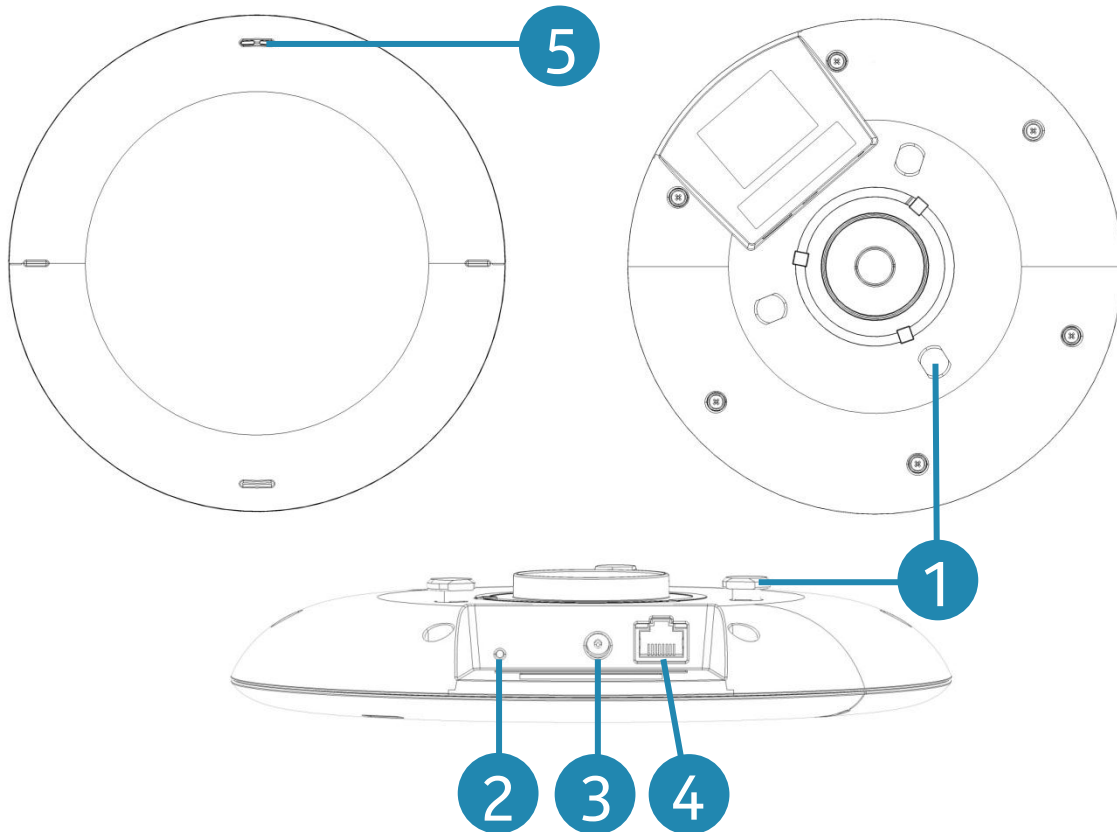
The locator contains the following parts:



1. Locator main unit
2. Locator mounting bracket

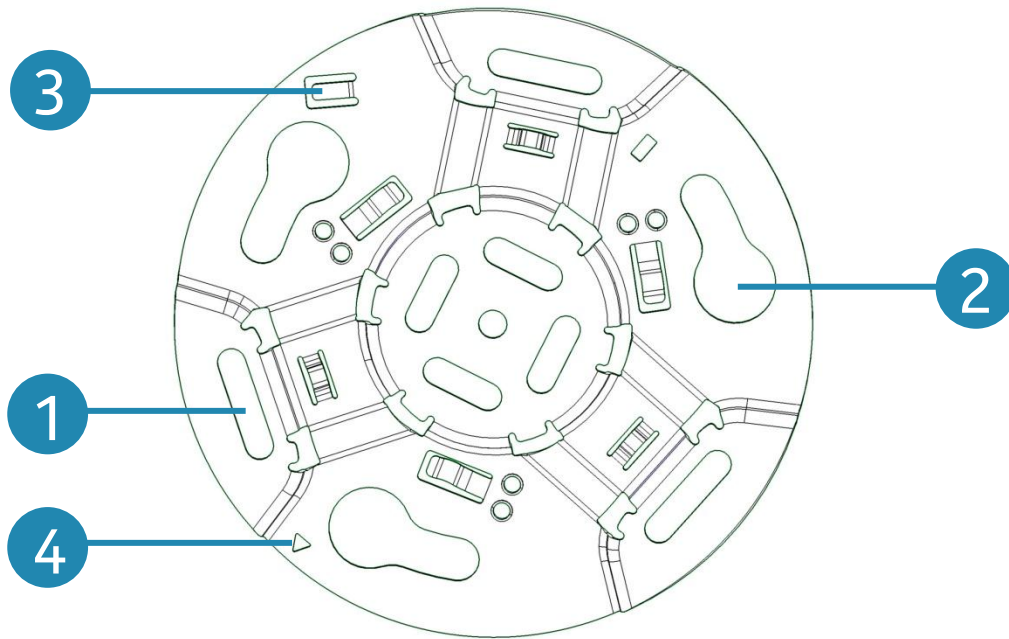
In addition, the sales package may include also other parts, such as screws for the mounting bracket.

■ Locator main unit



1. Bracket mounting pins
2. Reset button
3. 12V DC connector
4. Ethernet connector
5. Indicator lights

■ Mounting bracket



1. Holes for ceiling/wall mounting screws
2. Holes for mounting bracket mounting pins
3. Safety lock
4. Orientation indicator

■ Connect to power supply

Option 1: Use Power over Ethernet (PoE)

The locator supports the use of standard PoE (Power over Ethernet) components, e.g. PoE switch or power injector, as its power source. Only use standard certified PoE devices.

When using PoE, a separate DC power supply is not required.

Option 2: Use separate 12V DC power supply

If you are not using PoE components, connect the locator to an approved DC power supply using the DC connector. Only use compatible power supplies. Contact Nokia in case of any uncertainty regarding compatible power supplies.

When the power supply is connected the locator automatically switches on. The blue indicator light flashes once, after which the red indicator light turns constantly on, until the locator is connected to the HAIP network.

■ Connect to HAIP network

Connect the locator to the HAIP network with Ethernet CAT5 cable using the RJ-45 Ethernet socket. For your safety and to prevent any damage to the locator, only connect the locator to standard certified network components.

The red indicator light is blinking when the locator is properly connected to the HAIP network but not yet configured by the HAIP system.

Follow the HAIP System User Guide to configure your locator.

The blue indicator light is on when the locator is locating HAIP tags.

■ Reset factory settings

To reset factory settings, press the reset button while connecting power supply and keep it pressed for approximately three seconds until the red indicator light stops flashing. After that the locator switches on normally with the default factory settings.

3. Installation

■ Safety information

Observe the following safety guidelines when installing the locator.

- Only a qualified service technician should install or service the locator using the approved original Nokia parts supplied in the sales package. Faulty installation or service may be dangerous and may invalidate any warranty which may apply to the locator.
End users should remember that the locator comprises of complex technical equipment that requires professional installation using special tools and expert know-how.
- Instructions given in this guide are general guidelines that apply to the installation of the locator in an indoor environment. However, due to the wide variety of indoor environments and mounting surfaces, this guide cannot consider the individual technical requirements relevant for any particular installation. Consult Nokia in case you are uncertain about installation in a specific indoor environment.
- The locator is designed to operate either with a compatible 12V DC power supply, or by using a standard PoE (Power over Ethernet) compatible network component connected at the Ethernet socket.
- For your safety, and to prevent any damage to the locator, only use a compatible power supply. Contact Nokia in case of any uncertainty regarding compatible power supplies. When using a PoE compatible network component as a power source, only use standard certified network components.
- The locator has in-built protection for over voltage, but a connection using the wrong polarity might damage the unit.
- When installing the locator, make sure the installation surface can safely carry the weight of the locator.

- Your service technician or dealer may be able to provide you with information on alternatives for mounting the equipment suitably in different types of indoor environments.
- Do not smoke when installing the equipment. Make sure there is no source of fire or flame nearby.
- Make sure cables are placed so that they will not be subject to mechanical wear and tear.

■ Install the locator

This section describes how to install the locator onto a ceiling or wall of an indoor environment. The parts are described in “Parts”, p.5.

The locator can be installed onto any flat surface with area at least equal to the size of the mounting bracket.

The installation begins with the installation of the mounting bracket.

Attach the mounting bracket to the ceiling/wall

- Use a drill and a 1/5 inch(5mm) drill bit to drill two 1.18 inch (30mm) deep holes where you would like to mount on the ceiling/wall., two holes on horizontal line with 190mm distance between.
- Insert each of the plastic expansion lugs (5*30mm) included with the unit into the two newly drilled holes.
- Insert the two screws (3*50mm) through the holes in the expansion lugs.
- Install the mounting bracket to the ceiling/wall.

The orientation indicator in the mounting bracket (p.7) may be used to align the locator according to a defined orientation in the environment. In some installations it may be useful to align all locators similarly. Refer to the HAIP System User Guide for further details.

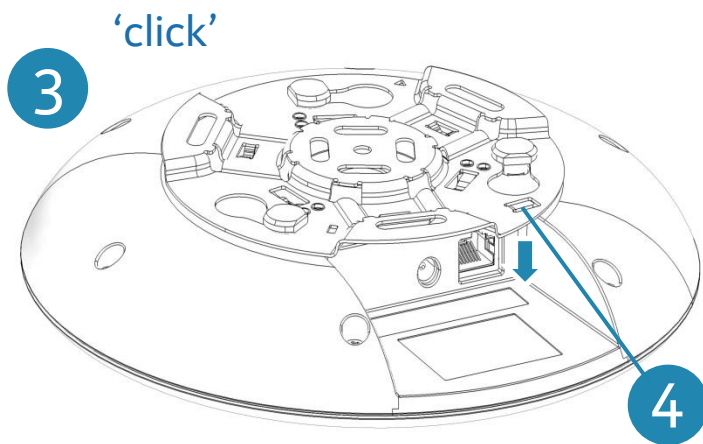
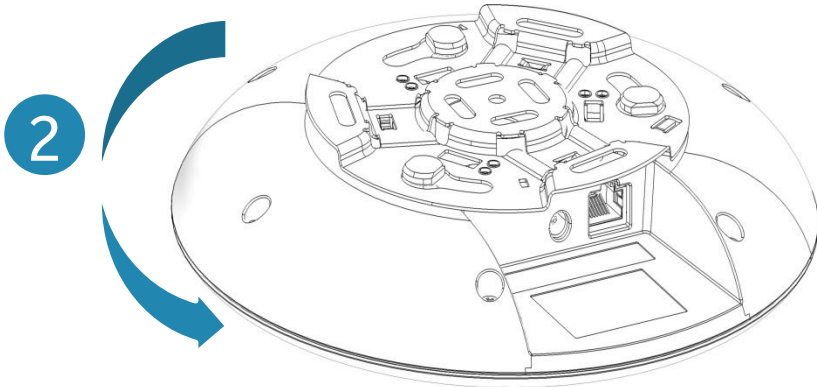
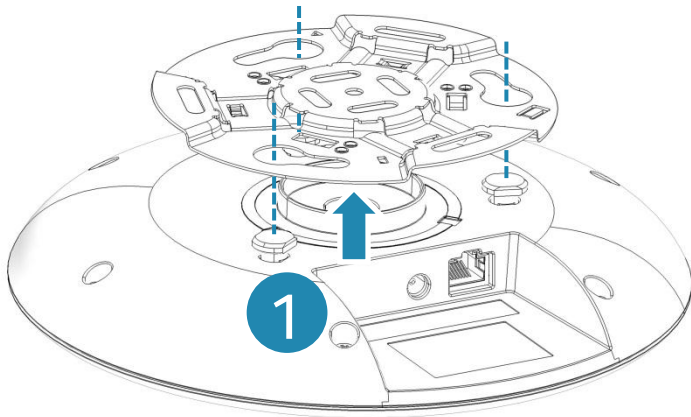


WARNING: Never attach, mount, or connect the mounting bracket to hot surfaces. Always make sure that the surface can carry the weight of the locator before installation.

Not following general safety regulation can cause damage to objects or injuries to people. Rely on qualified personnel for carrying out the installation of HAIP locators.

Install the locator to the mounting bracket

1. Align the locator with the bracket by ensuring the orientation mark in the mounting bracket is aligned with the indicator lights on the locator
2. Lift the locator so that the mounting pins go through the holes in the bracket (1)
3. Rotate the locator (2) until you hear a 'click' (3)
4. Bend the safety lock down with a tip of a screwdriver to prevent the locator being accidentally detached (4)



Product information

■ Technical data

- Operating frequency range: 2400...2483 MHz
- Maximum transmit power: +4 dBm EIRP
- Operating temperature range: 0°C...+60°C
- Storage temperature range: -10°C...+70°C
- Input rating when using DC power supply: 12 V / 500 mA DC
- Operating voltage when using PoE: 48 V
- Typical power consumption: 2 W
- Dimensions: D: 202 mm, h: 40 mm
- Weight: 500g

Care and Maintenance

Your locator is a product of superior design and craftsmanship and should be treated with care. The following suggestions will help you protect your warranty coverage.

- Keep the locator dry. Precipitation, humidity and all types of liquids or moisture can contain minerals that will corrode electronic circuits.
- Do not use or store the locator in dusty, dirty areas. Its moving parts and electronic components can be damaged.
- Do not attempt to open the locator.
- Do not use harsh chemicals, cleaning solvents, or strong detergents to clean the locator. Only use a soft, clean, dry cloth to clean the surface of the locator.
- Do not paint the locator.

Recycle

Always return your used electronic products, batteries, and packaging materials to dedicated collection points. This way you help prevent uncontrolled waste disposal and promote the recycling of materials. Check product environmental information and how to recycle your Nokia products at www.nokia.com/werecycle, or nokia.mobi/werecycle.



The crossed-out wheeled-bin symbol on your product, battery, literature, or packaging reminds you that all electrical and electronic products, batteries, and accumulators must be taken to separate collection at the end of their working life. This requirement applies in the European Union. Do not dispose of these products as unsorted municipal waste. For more environmental information, see the product Eco-Declarations at www.nokia.com/environment.

Copyright and other notices

DECLARATION OF CONFORMITY

Hereby, NOKIA CORPORATION declares that this LD-6L product is in compliance with the essential requirements and other relevant provisions of Directive 1999/5/EC. A copy of the Declaration of Conformity can be found at <http://www.nokia.com/global/declaration/declaration-of-conformity>.

CE 0560

© 2012 Nokia. All rights reserved.

FCC/INDUSTRY CANADA NOTICE

This device complies with Part 15 of the FCC Rules and Industry Canada license-exempt RSS standard(s). Operation is subject to the following two conditions: 1. This device may not cause harmful interference; and 2. This device must accept any interference received, including interference that may cause undesired operation. This equipment has been tested and found to comply with the limits for a Class B digital device, pursuant to Part 15 of the FCC Rules. These limits are designed to provide reasonable protection against harmful interference in a residential installation. This equipment generates, uses and can radiate radio frequency energy and, if not installed and used in accordance with the instructions, may cause harmful interference to radio communications. However, there is no guarantee that interference will not occur in a particular installation. If this equipment does cause harmful interference to radio or television reception, which can be determined by turning the equipment off and on, the user is encouraged to try to correct the interference by one or more of the following measures: Reorient or relocate the receiving antenna. Increase the separation between the equipment and receiver. Connect the equipment into an outlet on a circuit different from that to which the receiver is connected. Consult the dealer or an experienced radio/TV technician for help. NOTE: FCC Radiation Exposure Statement: This equipment complies with FCC radiation exposure limits set forth for an uncontrolled environment. This transmitter must not be co-located or operating in conjunction with any other antenna or transmitter. NOTE: Changes or modifications not expressly approved by Nokia could void the user's authority to operate the equipment.

Nokia, Nokia Connecting People, Navi and the Nokia Original Accessories logo are trademarks or registered trademarks of Nokia Corporation. Nokia tune is a sound mark of Nokia Corporation. Other product and company names mentioned herein may be trademarks or tradenames of their respective owners.

Reproduction, transfer, distribution, or storage of part or all of the contents in this document in any form without the prior written permission of Nokia is prohibited. Nokia operates a policy of continuous development. Nokia reserves the right to make changes and improvements to any of the products described in this document without prior notice.

TO THE MAXIMUM EXTENT PERMITTED BY APPLICABLE LAW, UNDER NO CIRCUMSTANCES SHALL NOKIA OR ANY OF ITS LICENSORS BE RESPONSIBLE FOR ANY LOSS OF DATA OR INCOME OR ANY SPECIAL, INCIDENTAL, CONSEQUENTIAL OR INDIRECT DAMAGES HOWSOEVER CAUSED.

THE CONTENTS OF THIS DOCUMENT ARE PROVIDED "AS IS". EXCEPT AS REQUIRED BY APPLICABLE LAW, NO WARRANTIES OF ANY KIND, EITHER EXPRESS OR IMPLIED, INCLUDING, BUT NOT LIMITED TO, THE IMPLIED WARRANTIES OF MERCHANTABILITY AND FITNESS FOR A PARTICULAR PURPOSE, ARE MADE IN RELATION TO THE ACCURACY, RELIABILITY OR CONTENTS OF THIS DOCUMENT. NOKIA RESERVES THE RIGHT TO REVISE THIS DOCUMENT OR WITHDRAW IT AT ANY TIME WITHOUT PRIOR NOTICE.

The availability of particular products may vary by region. Please check with your Nokia dealer for details. This device may contain commodities, technology or software subject to export laws and regulations from the US and other countries. Diversion contrary to law is prohibited.