

Appendix C – USER MANUAL (NOT AVAILABE AT TIME OF TEST)

FCC Warning

Class B Computing Device

Information to User

This equipment has been tested and found to comply with the limits for a class B digital device pursuant to part 15 of FCC Rules. These limits are designed to provide reasonable protection against harmful interference in a residential installation. This equipment generates, uses, and can radiate radio frequency energy and, if not installed and used in accordance with the instructions, may cause harmful interference to radio communications. However, there is no guarantee that interference will not occur in a particular installation. If this equipment does cause interference to radio or television reception, which can be determined by tuning the equipment off and on, the user is encouraged to try to correct the interference by one or more of the following measures:

- 1) Reorient or relocate the receiving antenna.
- 2) Increase the separation between the equipment and receiver.
- 3) Connect the equipment into an outlet on a circuit different from that to which the receiver is connected.
- 4) Consult the dealer or an experienced radio/TV technician for help and for additional suggestions.

The user may find the following booklet prepared by the Federal Communications Commission helpful: "how to Identify and Resolve Radio-TV interference Problems." This booklet is available from the U.S. Government Printing Office, Washington, D.C. 20402, Stock No. 004-000-00345-4.

FCC Warning

The user is cautioned that changes or modifications not expressly approved by the manufacturer could void the user's authority to operate the equipment.

NOTE: In order for an installation of the product to maintain compliance with the limits for a Class B device, shielded cables must be used.

Appendix C – USER MANUAL

Copyright © 1998 MICROTEK LAB, INC.

All rights reserved.

Trademarks

Microtek and ScanMaker are trademarks of Microtek International, Inc. Other product or company names are trademarks or registered trademarks of their respective holders.

Important

Documents you scan may be protected under copyright law. The unauthorized use of such documents could be a violation of the rights of the copyright holder. Microtek bears no responsibility for the unauthorized use of copyrighted materials.

First Edition:

Nov. 1998

Microtek Lab, Inc.
3715 Doolittle Drive
Redondo Beach, CA 90278
U.S.A.
800-654-4180 sales
310-297-5100 tech support (pc)
310-297-5125 tech support (mac)
310-297-5101 AutoTech fax back

Microtek International, Inc.
6, Industry East Road 3
Science Based Industry Park
Hsinchu 30077, Taiwan, R.O.C.
886-3-5772155 voice
886-3-5772598 fax

Microtek Europe BV
Max Euwelen 68
NL-3062 MA Rossum
The Netherlands
31-10-242-5888 voice
31-10-242-5699 fax

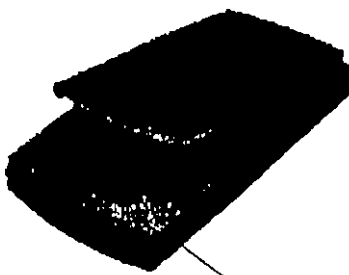
Table of Contents

| | |
|------------------------------------|----------|
| Preliminaries | 4 |
| A. Description of scanner | 4 |
| B. Installation | 4 |
| Operating the scanner | 4 |
| A. Positioning a document | 4 |
| B. Scanning thick documents | 4 |
| C. Using the "Go" button | 5 |
| D. Using the LightLid 35 | 5 |
| Specifications | 6 |

A. Description of scanner

Congratulations on your purchase of a Microtek ScanMaker X12 scanner.

The ScanMaker X12 is a 36-bit, legal-size high-resolution scanner. The X12 is equipped with a "Go" button that initiates scanning with the Microtek ScanSuite software utility, so that whatever document or image has been placed on the scanner can be easily printed, faxed, or saved.



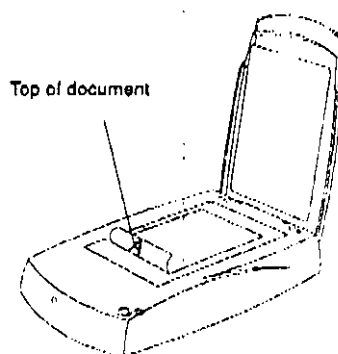
"Go" button

B. Installation

For installation procedures on the X12, please refer to the printed documentation included in your scanner package.

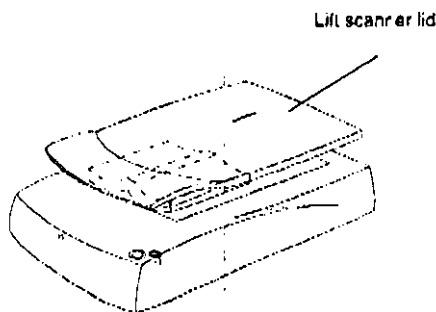
A. Positioning a document

1. Lift the scanner lid.
2. Place your document face down on the scanner glass. The top of the document should be facing the front of the scanner.



B. Scanning thick documents

1. Lift the scanner lid high enough so that there is enough room to place the thick document to be scanned on the scanning bed.
2. When the document has been placed securely, lower the scanner lid. You are now ready to start scanning.

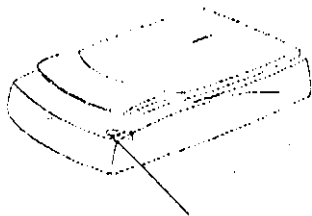




C. Using the "Go" button

Your ScanMaker X12 scanner is equipped with a "Go" button on the front panel for activating the scanner.

When you press the "Go" button, the X12 launches the Microtek ScanSuite software utility, and pressing the "Go" button a second time after choosing your settings in ScanSuite will scan and deliver your image to ScanSuite.



The "Go" button is used to launch ScanSuite and start the scanning process.

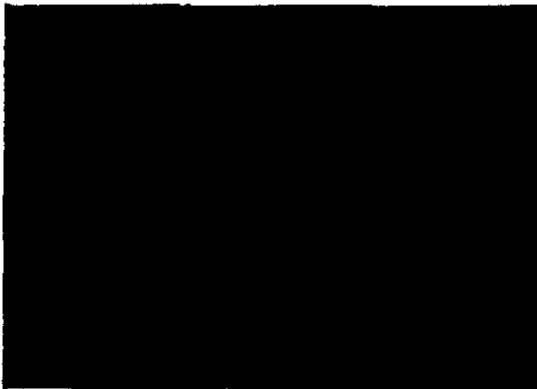
D. Using the LightLid 35

The LightLid 35 is a 35-mm transparency adapter for scanning 35-mm slides and filmstrips, and is included as a standard scanner accessory with your ScanMaker X12 package.

For more details on how to use the LightLid 35, see a separate document provided with your scanner package.



LightLid 35 transparency adapter for 35-mm slides and filmstrips



| | | | |
|-------------------------------|---|---------------------------|-------------------------------------|
| Product Model | ScanMaker X12 | Transmission speed | 2 Mbyte/s |
| FCC number or ID | EF9MRS-1200LC | Scanning Area | 8.5" x 14.0" maximum |
| Type | 36-bit desktop, single-pass flatbed | Power Supply | 100 V to 240 V(-10% to +10%) |
| Resolution | 1200 dpi x 1200 dpi | Voltage Frequency | 47 Hz to 63 Hz |
| Calibration time | 20 sec. (color) | Power Consumption | 30W max |
| Scanning speed (color) | 9 ms/line Preview: 22 sec. (Legal size) | Dimensions | 11.9" x 2.8" x 21.3" (W x H x L) |
| | | Weight | 13.23 lbs. |

Federal Communications Commission (FCC) Statement

This equipment has been tested and found to comply with the limits for a Class B digital device, pursuant to Part 15 of the FCC Rules. These limits are designed to provide reasonable protection against harmful interference in a residential installation. This equipment generates, uses and can radiate radio frequency energy and, if not installed and used in accordance with the instructions, may cause harmful interference to radio communications. However, there is no guarantee that interference will not occur in a particular installation. If this equipment does cause harmful interference to radio or television reception, which can be determined by turning the equipment off and on, the user is encouraged to try to correct the interference by one or more of the following measures:

- Reorient/relocate the receiving antenna.
- Increase the separation between the equipment and receiver.
- Connect the equipment into an outlet on a circuit different from that to which the receiver is connected.
- Consult the dealer or an experienced radio/TV technician for help.

Note: Shielded interface cable with ferrite core installed on scanner connector end must be used with this equipment.

Trade Model
ScanMaker X12

FCC ID
EF9MRS-1200LC

Appendix C – USER MANUAL

Copyright © 1998 MICROTEK LAB, INC.

All rights reserved.

Trademarks

Microtek and ScanMaker are trademarks of Microtek International, Inc. Other product or company names are trademarks or registered trademarks of their respective holders.

Important

Documents you scan may be protected under copyright law. The unauthorized use of such documents could be a violation of the rights of the copyright holder. Microtek bears no responsibility for the unauthorized use of copyrighted materials.

First Edition:

Nov. 1998

Microtek Lab, Inc.
3715 Doolittle Drive
Rancho Beach, CA 90278
U.S.A.
800-654-4180 sales
310-297-5100 tech support (pc)
310-297-5125 tech support (mac)
310-297-5101 AutoTech fax back

Microtek International, Inc.
6, Industry East Road 3
Science Based Industry Park
Hsinchu 30077, Taiwan, R.O.C.
886-3-5772155 voice
886-3-5772599 fax

Microtek Europe BV
Max Euwelen 58
NL-3062 MA Rossum
The Netherlands
31-10-242-5688 voice
31-10-242-5699 fax

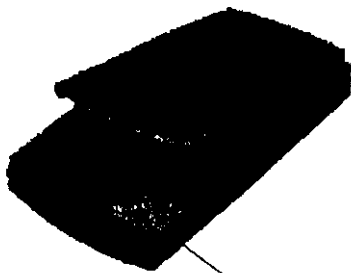
Table of Contents

| | |
|------------------------------------|----------|
| Preliminaries | 4 |
| A. Description of scanner | 4 |
| B. Installation | 4 |
| Operating the scanner | 4 |
| A. Positioning a document | 4 |
| B. Scanning thick documents | 4 |
| C. Using the "Go" button | 5 |
| D. Using the LightLid 35 | 5 |
| Specifications | 6 |

A. Description of scanner

Congratulations on your purchase of a Microtek ScanMaker X12 scanner.

The ScanMaker X12 is a 36-bit, legal-size high-resolution scanner. The X12 is equipped with a "Go" button that initiates scanning with the Microtek ScanSuite software utility, so that whatever document or image has been placed on the scanner can be easily printed, faxed, or saved.



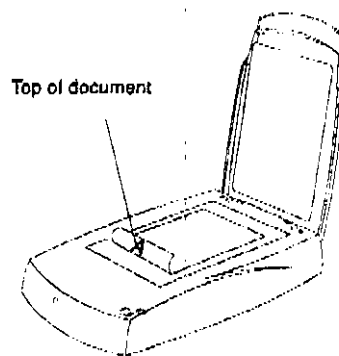
"Go" button

B. Installation

For installation procedures on the X12, please refer to the printed documentation included in your scanner package.

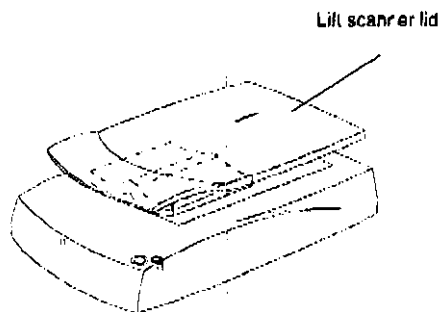
A. Positioning a document

1. Lift the scanner lid.
2. Place your document face down on the scanner glass. The top of the document should be facing the front of the scanner.



B. Scanning thick documents

1. Lift the scanner lid high enough so that there is enough room to place the thick document to be scanned on the scanning bed.
2. When the document has been placed securely, lower the scanner lid. You are now ready to start scanning.





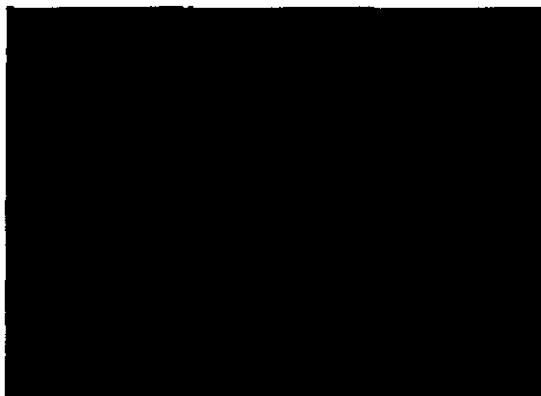
C. Using the "Go" button

Your ScanMaker X12 scanner is equipped with a "Go" button on the front panel for activating the scanner.

When you press the "Go" button, the X12 launches the Microtek ScanSuite software utility, and pressing the "Go" button a second time after choosing your settings in ScanSuite will scan and deliver your image to ScanSuite.



The "Go" button is used to launch ScanSuite and start the scanning process.



D. Using the LightLid 35

The LightLid 35 is a 35-mm transparency adapter for scanning 35-mm slides and filmstrips, and is included as a standard scanner accessory with your ScanMaker X12 package.

For more details on how to use the LightLid 35, see a separate document provided with your scanner package.



LightLid 35 transparency adapter for 35-mm slides and filmstrips

| | | | |
|-------------------------------|---|---------------------------|-------------------------------------|
| Product Model | ScanMaker X12 | Transmission speed | 2 Mbyte/s |
| FCC number or ID | EF9MRS-1200LC | Scanning Area | 8.5" x 14.0" maximum |
| Type | 36-bit desktop, single-pass flatbed | Power Supply | 100 V to 240 V(-10% to +10%) |
| Resolution | 1200 dpi x 1200 dpi | Voltage Frequency | 47 Hz to 63 Hz |
| Calibration time | 20 sec. (color) | Power Consumption | 30W max |
| Scanning speed (color) | 9 ms/line Preview: 22 sec. (Legal size) | Dimensions | 11.9" x 2.8" x 21.3" (W x H x L) |
| | | Weight | 13.23 lbs. |

Federal Communications Commission (FCC) Statement

This equipment has been tested and found to comply with the limits for a Class B digital device, pursuant to Part 15 of the FCC Rules. These limits are designed to provide reasonable protection against harmful interference in a residential installation. This equipment generates, uses and can radiate radio frequency energy and, if not installed and used in accordance with the instructions, may cause harmful interference to radio communications. However, there is no guarantee that interference will not occur in a particular installation. If this equipment does cause harmful interference to radio or television reception, which can be determined by turning the equipment off and on, the user is encouraged to try to correct the interference by one or more of the following measures:

- Reorient/relocate the receiving antenna.
- Increase the separation between the equipment and receiver.
- Connect the equipment into an outlet on a circuit different from that to which the receiver is connected.
- Consult the dealer or an experienced radio/TV technician for help.

Note: Shielded interface cable with ferrite core installed on scanner connector end must be used with this equipment.

Trade Model
ScanMaker X12

FCC ID
EF9MRS-1200LC