

ENGLISH
page 1

FRANÇAIS
page 25

ESPAÑOL
página 49

PS500 Series Gas and Electric Ovens

Model:

- PS555G Gas
- PS555E Electric
- PS570G Gas

Combinations:

- Single Oven
- Double Oven (Two-Stack)
- Triple Oven (Three-Stack)
- Quad Oven (Four-Stack)

OWNER'S OPERATING AND INSTALLATION MANUAL

for domestic and standard export ovens

© 2001 Middleby Marshall, Inc.



**Middleby
Marshall®** is a registered trademark of Middleby Marshall, Inc. All rights reserved.

Middleby Cooking Systems Group • 1400 Toastmaster Drive • Elgin, IL 60120 • (847)741-3300 • FAX (847)741-4406



NOTICE:

This **Owner's Operating and Installation Manual** should be given to the user. The operator of the oven should be familiar with the functions and operation of the oven.

This manual must be kept in a prominent, easily reachable location near the oven.

Gas ovens are designed for use with EITHER natural gas OR liquid propane gas, as specified on the serial plate. Where permitted by local and national codes, the oven can be converted from natural gas to propane operation, or from propane to natural gas operation. This conversion requires the installation of the appropriate Middleby Marshall Gas Conversion Kit by an Authorized Service Agent.

It is suggested to obtain a service contract with a Middleby Marshall Authorized Service Agent.

WARNING

POST, IN A PROMINENT LOCATION, THE EMERGENCY TELEPHONE NUMBER OF YOUR LOCAL GAS SUPPLIER AND INSTRUCTIONS TO BE FOLLOWED IN THE EVENT YOU SMELL GAS.

Instructions to be followed in the event the user smells gas shall be obtained by consulting the local gas supplier. If the smell of gas is detected, immediately call the emergency phone number of your local Gas Company. They will have personnel and provisions available to correct the problem.

FOR YOUR SAFETY

Do not store or use gasoline or other flammable vapors or liquids in the vicinity of this or any other appliance.

WARNING:

Improper installation, adjustment, alteration, service or maintenance can cause property damage, injury or death. Read the installation, operating and maintenance instructions thoroughly before installing or servicing this equipment.

IMPORTANT

An electrical wiring diagram for the oven is located inside the machinery compartment.

IMPORTANT

It is the customer's responsibility to report any concealed or non-concealed damage to the freight company. Retain all shipping materials until it is certain that the equipment has not suffered concealed shipping damage.

NOTICE: CONTACT YOUR MIDDLEBY MARSHALL AUTHORIZED SERVICE AGENT TO PERFORM MAINTENANCE AND REPAIRS. AN AUTHORIZED SERVICE AGENCY DIRECTORY IS SUPPLIED WITH YOUR OVEN.

NOTICE: Using any parts other than genuine Middleby Marshall factory manufactured parts relieves the manufacturer of all warranty and liability.

NOTICE: Middleby Marshall (Manufacturer) reserves the right to change specifications at any time.

NOTICE: The equipment warranty is not valid unless the oven is installed, started and demonstrated under the supervision of a factory certified installer.

Retain This Manual For Future Reference

Middleby Cooking Systems Group • 1400 Toastmaster Drive • Elgin, IL 60120 • USA • (847)741-3300 • FAX (847)741-4406
24-Hour Service Hotline: 1-(800)-238-8444

www.middleby.com

TABLE OF CONTENTS

	<i>page</i>		<i>page</i>
SECTION 1 - DESCRIPTION	4	V. FINAL ASSEMBLY	10
I. OVEN USES	4	VI. ELECTRICAL SUPPLY	10
II. OVEN COMPONENTS	4	A. Additional Information - Gas Ovens	10
A. Conveyor Drive Motor	4	B. Additional Information - Electric Ovens	10
B. Crumb Pans	4	C. Connection	10
C. Conveyor End Stop	4	VII. GAS SUPPLY	11
D. Conveyor Rear Stop	4	A. Gas Utility Rough-In Recommendations	11
E. Conveyor	4	B. Connection	12
F. End Plugs	4	C. Gas Conversion	12
G. Eyebrows	4	SECTION 3 - OPERATION	13
H. Window	4	I. LOCATION AND DESCRIPTION OF CONTROLS	13
I. Machinery Compartment Access Panel	4	A. BLOWER (☉) Switch	13
J. Serial Plate	4	B. HEAT (☼) Switch	13
K. Control Panel	4	C. CONVEYOR (↔) Switch	13
L. Gas Burner or Heating Elements	4	D. Conveyor Speed Controller	13
M. Blowers	4	E. Digital Temperature Controller	13
N. Air Fingers	4	F. Machinery Cpt. Access Panel Safety Switch	13
III. OVEN SPECIFICATIONS	4	II. NORMAL OPERATION, STEP-BY-STEP	14
A. Dimensions	4	A. Daily Startup Procedures	14
B. General Specifications	4	B. Daily Shutdown Procedures	14
C. Electrical Specifications for PS555E Electric Ovens	4	III. QUICK REFERENCE: DIGITAL TEMP CONTROL	15
D. Electrical Specifications for PS555G and PS570G Gas Ovens	5	IV. QUICK REFERENCE: TROUBLESHOOTING	16
E. Gas Orifice and Pressure Specifications for PS555G and PS570G Gas Ovens	5	SECTION 4 - MAINTENANCE	17
SECTION 2 - INSTALLATION	5	I. MAINTENANCE - DAILY	17
I. BASE PAD KIT	6	II. MAINTENANCE - MONTHLY	18
II. INSTALLATION KIT	7	III. MAINTENANCE - EVERY 3 MONTHS	19
III. VENTILATION SYSTEM	7	IV. MAINTENANCE - EVERY 6 MONTHS	20
A. Requirements	7	V. KEY SPARE PARTS KIT	21
B. Recommendations	7	SECTION 5 - ELECTRICAL WIRING DIAGRAMS	22
C. Other Ventilation Concerns	7	I. WIRING DIAGRAM, PS555G OR PS570G GAS OVEN, 208/240V, 50/60 Hz, 1 Ph	22
IV. ASSEMBLY	8	II. WIRING DIAGRAM, PS555E ELECTRIC OVEN, 208V OR 240V, 50/60 Hz, 3 Ph	23
A. Base Pad, Legs, Casters, and Stacking	8	III. WIRING DIAGRAM, PS555E ELECTRIC OVEN, 380V OR 480V, 50/60 Hz, 3 Ph	24
B. Restraint Cable Installation	8		
C. Conveyor Installation	8		

ENGLISH

SECTION 1 - DESCRIPTION

I. OVEN USES

PS500 Series Ovens can be used to bake and/or cook a wide variety of food products, such as pizza, pizza-type products, cookies, sandwiches and others.

II. OVEN COMPONENTS - see Figure 1-1.

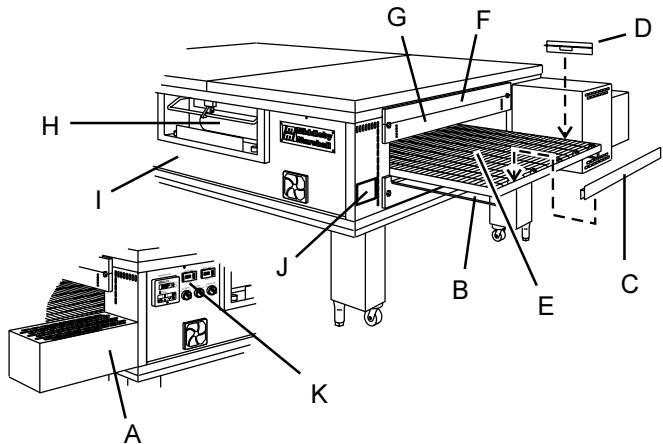
- A. **Conveyor Drive Motor:** Moves the conveyor.
- B. **Crumb Pans:** Catch crumbs and other material that drop through the conveyor belt. One crumb pan is located at each end of the conveyor.
- C,D. **Conveyor End Stop and Rear Stop:** Prevent food products from falling off the end or rear of the moving conveyor.
- E. **Conveyor:** Moves the food product through the oven.
- F. **End Plugs:** Allow access to the oven's interior.
- G. **Eyebrows:** Can be adjusted to various heights to prevent heat loss into the environment.
- H. **Window:** Allows the user to access food products inside the baking chamber.
- I. **Machinery Compartment Access Panel:** Allows access to the oven's interior and control components. No user-servicable parts are located in the machinery compartment.
- J. **Serial Plate:** Provides specifications for the oven that affect installation and operation. Refer to Section 2, Installation, for details.

- K. **Control Panel:** Location of the operating controls for the oven. Refer to Section 3, Operation, for details.

Not Shown:

- L. **Gas Burner (gas ovens) or Heating Elements (electric ovens):** Heat air, which is then projected to the air fingers by the blowers.
- M. **Blowers:** Project hot air from the burner or heating elements to the air fingers.
- N. **Air Fingers:** Project streams of hot air onto the food product.

Figure 1-1 - Oven Components



III. OVEN SPECIFICATIONS

Table 1-1: Dimensions	Single Oven	Double Oven	Triple Oven	Quad Oven
Overall Height	46-1/8" (1172mm)	60-1/8" (1527mm)	62-1/2" (1588mm)	78" (1981mm)
Overall Depth	63-3/8" (1610mm)	63-3/8" (1610mm)	63-3/8" (1610mm)	63-3/8" (1610mm)
Overall Length, PS555G and PS555E	91" (2311mm)	91" (2311mm)	91" (2311mm)	91" (2311mm)
Overall Length, PS570G	106" (2692mm)	106" (2692mm)	106" (2692mm)	106" (2692mm)
Conveyor Width	32" (813mm) or 2x15" (381mm)	32" (813mm) or 2x15" (381mm)	32" (813mm) or 2x15" (381mm)	32" (813mm) or 2x15" (381mm)
Recommended Minimum Clearances				
Rear of Oven (inc. rear shrouds) to Wall	6" (152mm)	6" (152mm)	6" (152mm)	6" (152mm)
Conveyor Extension to Wall (both ends)	0" (0 mm)	0" (0 mm)	0" (0 mm)	0" (0 mm)

Table 1-2: General Specifications	PS555G	PS555E	PS570G
Weight	1175 lbs. (533kg)	1175 lbs. (533kg)	1400 lbs. (634kg)
Rated Heat Input	150,000 BTU (37,800 kcal, 44 kW/hr)	32kW	170,000 BTU (42,840 kcal, 50 kW/hr)
Maximum Operating Temperature	< ----- 550°F / 288°C ----- >		
Air Blowers	Two blowers at 1400 ft. ³ /min. (39.6m ³ /min.) at 2050 RPM, 0.40" (1.0cm) Water Static Pressure		
Average Air Jet Velocity	< ----- 2600 ft./min. (1320cm/sec.) average ----- >		
Warmup Time	< ----- 15 min. ----- >		

Table 1-3: Electrical specifications for PS555E electric ovens

Main Blower Voltage	Control Circuit Voltage	Phase	Freq	Current Draw (per line)				kW Rating	Poles	Wires
				L1	L2	L3	N			
208V	120V conveyor speed controller (w/transformer); all other control circuits 208V	3 Ph	50/60Hz	97.4A	88.8A	97.4A	--	32kW	3 Pole	4 Wire (3 hot, 1 gd)
220-240V	120V conveyor speed controller (w/transformer); all other control circuits 220-240V	3 Ph	50/60Hz	83.0-90.0A	75.0-86.0A	83.0-90.0A	--	29.3-34.8kW	3 Pole	4 Wire (3 hot, 1 gd)
480V	120V conveyor speed controller (w/transformer); all other control circuits 240V	3 Ph	50/60Hz	38.5A	38.5A	47.7A	9.2A	32kW	4 Pole	5 Wire (3 hot, 1 neut, 1 grd)

Table 1-4: Electrical specifications for PS555G and PS570G gas ovens

Main Blower Voltage	Control Circuit Voltage	Phase	Freq	Current Draw	Poles	Wires
208-240V	120V conveyor speed controller (w/transformer); all other control circuits 208/240V	1 Ph	50/60Hz	12A	2 Pole	3 Wire (2 hot, 1 gd)

Table 1-5: Gas orifice and pressure specifications for PS555G and PS570G gas ovens

Gas Type	Main Orifice I.D. PS555G	Main Orifice I.D. PS570G	Pilot Orifice I.D.	Supply (Inlet) Pressure	Orifice (Manifold) Pressure
Natural	0.228" (5.79mm)	0.250" (6.35mm)	0.028" (0.71mm)	6-12" W.C. (14.9-29.9mbar)	3.5" W.C. (8.7mbar)
Propane	0.141" (3.58mm)	0.152" (3.86mm)	0.018" (0.46mm)	11-14" W.C. (27.4-34.9mbar)	10" W.C. (24.9mbar)

IMPORTANT - Additional electrical information is provided on the oven's serial plate, and on the wiring diagram inside the machinery compartment.

SECTION 2 - INSTALLATION

WARNING - After any conversions, readjustments, or service work on the oven:

- Perform a gas leak test.
- Test for correct air supply, particularly to the burner blower.
- Test for proper combustion and gas supply.
- Check that the ventilation system is in operation.

WARNING - Keep the appliance area free and clear of combustibles.

WARNING - The oven must be installed on an even (level) non-flammable flooring and any adjacent walls must be non-flammable. Recommended minimum clearances are specified in the *Description* section of this Manual.

WARNING - Do not obstruct the flow of combustion and ventilation air to and from your oven. There must be no obstructions around or underneath the oven. Constructional changes to the area where the oven is installed shall not affect the air supply to the oven.

CAUTION: To reduce the risk of fire, the appliance is to be mounted on floors of noncombustible construction with noncombustible flooring and surface finish and with no combustible material against the underside thereof, or on noncombustible slabs or arches having no combustible material against the underside thereof, such construction shall in all cases extend not less than 12 inches (304.8mm) beyond the equipment on all sides.

CAUTION - For additional installation information, contact your local Authorized Service Agent.

NOTE - There must be adequate clearance between the oven and combustible construction. Clearance must also be provided for servicing and for proper operation.

NOTE - An electrical wiring diagram for the oven is located inside the machinery compartment.

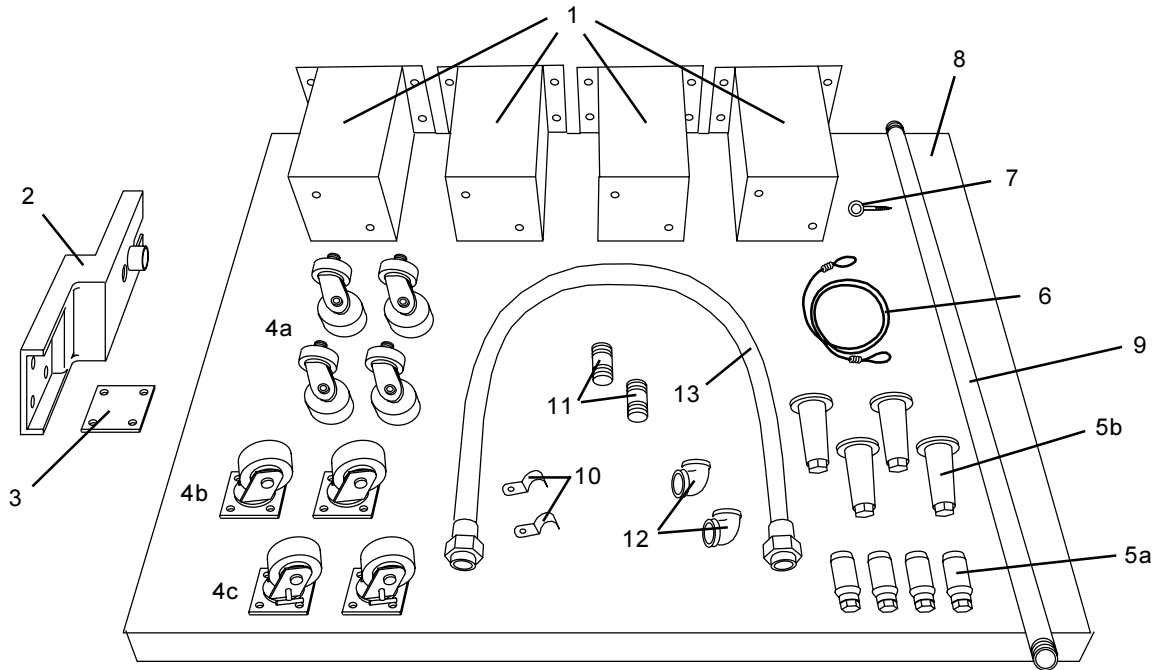
NOTE: All aspects of the oven installation, including placement, utility connections, and ventilation requirements, must conform with any applicable local, national, or international codes. These codes supercede the requirements and guidelines provided in this manual.

NOTE: In the USA, the oven installation must conform with local codes. In the absence of local codes, gas oven installations must conform with the National Fuel Gas Code, ANSI Z223.1. Gas and electric ovens, when installed, must be electrically grounded in accordance with local codes, or in the absence of local codes, with the National Electrical Code (NEC), or ANSI/NFPA70.

NOTE: In Canada, the oven installation must conform with local codes. In the absence of local codes, gas oven installations must conform with the Natural Gas Installation Code, CAN/CGA-B149.1, or the Propane Gas Installation Code, CAN/CGA-B149.2, as applicable. Gas and electric ovens, when installed, must be electrically grounded in accordance with local codes, or in the absence of local codes, with the Canadian Electrical Code CSA C22.2.

NOTE: In Australia, the oven installation must conform with any requirements of the appropriate statutory authority. Gas oven installations must conform with AGA Code, AG601.

Fig. 2-1 - Base Pad Kit



I. BASE PAD KIT - see Figure 2-1

NOTE: One Base Pad Kit is required for each Single, Double, Triple, or Quad Oven installation.

Item	Quantity						Part No.	Description
	Single oven with 19" leg extensions	Double oven with 10" leg extensions	Double oven with 15" leg extensions	Triple oven with 4" leg extensions	Triple oven without leg extensions	Quad oven with outriggers		
1a	4	--	--	--	--	--	37210-0060	Leg extension, 19" (483mm)
1b	--	4	--	--	--	--	37210-0082	Leg extension, 10" (254mm)
1c	--	--	4	--	--	--	37210-0057	Leg extension, 15" (381mm)
1d	--	--	--	4	--	--	39684	Leg extension, 4" (102mm)
2	--	--	--	--	--	4	45209	Outrigger
3	--	--	--	--	--	4	45205	Spacer, caster - for use with outrigger only
4a	4	4	4	4	4	--	37115-0102	Caster, swivel (with stud)
4b	--	--	--	--	--	2	45357	Caster, swivel (with flat plate)
4c	--	--	--	--	--	2	45664	Caster, swivel (with flat plate and brake)
5a	4	4	4	4	4	--	22450-0028	Adjustable foot, standard
5b	--	--	--	--	--	4	45206	Adjustable foot, quad ovens
6	1	1	1	1	1	1	22450-0253	Restraint cable, 60" (1524mm)
7	1	1	1	1	1	1	21392-0005	Eye bolt/lag screw
8	1	1	1	1	1	1	41643	Base pad
--	2	2	2	2	2	2	41582	Top cover (right or left)
--	8	8	8	8	8	8	21256-0069	Screw, sl trus hd #10-32 X 1-1/4"
--	16	16	16	16	--	8	21216-0018	Bolt, hex cap 1/2"-13 X 1-1/4"
--	16	16	16	16	--	8	21416-0003	Flat washer, 1/2"
--	16	16	16	16	--	8	21426-0004	Lock washer, 1/2"
--	--	--	--	--	--	16	A27727	Bolt, hex cap 3/8"-16 X 1"
--	--	--	--	--	--	32	A21924	Flat washer, 3/8"
--	--	--	--	--	--	16	21172-0004	Lock nut, hex, 3/8"-16

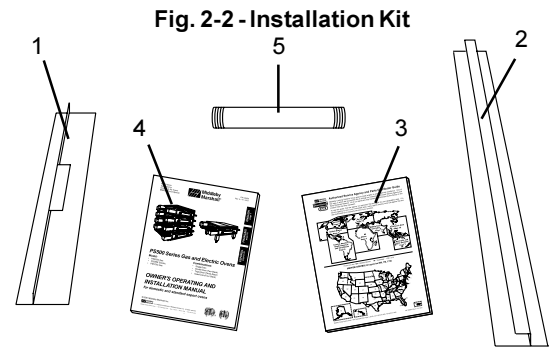
ADDITIONAL COMPONENTS FOR GAS OVENS:

9	1	1	1	1	1	1	33120-0056	Gas pipe, 1-1/4" dia. X 54" (1372mm) L
10	2	2	2	2	2	2	27271-0004	Pipe clamp, 1-1/2"
11	2	2	2	2	2	2	33120-0055	Pipe nipple, 1-1/4" dia. X 3" (76mm) L, NPT
12	2	2	2	2	2	2	23122-0007	Elbow, 90°, 1-1/4" dia.
13	1	1	1	1	1	1	22361-0003	Gas hose, 1-1/4" dia. X 72" (1829mm) L
--	2	2	2	2	2	2	21292-0001	Screw, hex wshr hd #10-16 X 3/4"

II. INSTALLATION KIT - see Figure 2-2

NOTE: One Installation Kit is required for each oven cavity.

Item	Qty.	Part No.	Description
1	1	35900-0148	Conveyor Rear Stop
2	1	35000-1103	Conveyor End Stop
3	1	46450	Owner's Operating & Installation Manual
4	1	1002040	Authorized Service Agency Listing
ADDITIONAL COMPONENTS FOR GAS OVENS:			
5	1	33120-0053	Gas Pipe Nipple



III. VENTILATION SYSTEM

IMPORTANT

Where national or local codes require the installation of fire suppression equipment or other supplementary equipment, DO NOT mount the equipment directly to the oven.

MOUNTING SUCH EQUIPMENT ON THE OVEN MAY:

- VOID AGENCY CERTIFICATIONS
- RESTRICT SERVICE ACCESS
- LEAD TO INCREASED SERVICE EXPENSES FOR THE OWNER

A. Requirements

CAUTION

Gas oven installations REQUIRE a mechanically driven ventilation system with electrical exhaust air sensing control.

A mechanically driven ventilation system is STRONGLY RECOMMENDED for electric oven installations.

PROPER VENTILATION OF THE OVEN IS THE RESPONSIBILITY OF THE OWNER.

B. Recommendations

NOTE THAT THE HOOD DIMENSIONS SHOWN IN FIGURE 2-3 ARE RECOMMENDATIONS ONLY. LOCAL, NATIONAL, AND INTERNATIONAL CODES MUST BE FOLLOWED WHEN INSTALLING THE VENTILATION SYSTEM. ANY APPLICABLE

CODES SUPERSEDE THE RECOMMENDATIONS SHOWN IN THIS MANUAL.

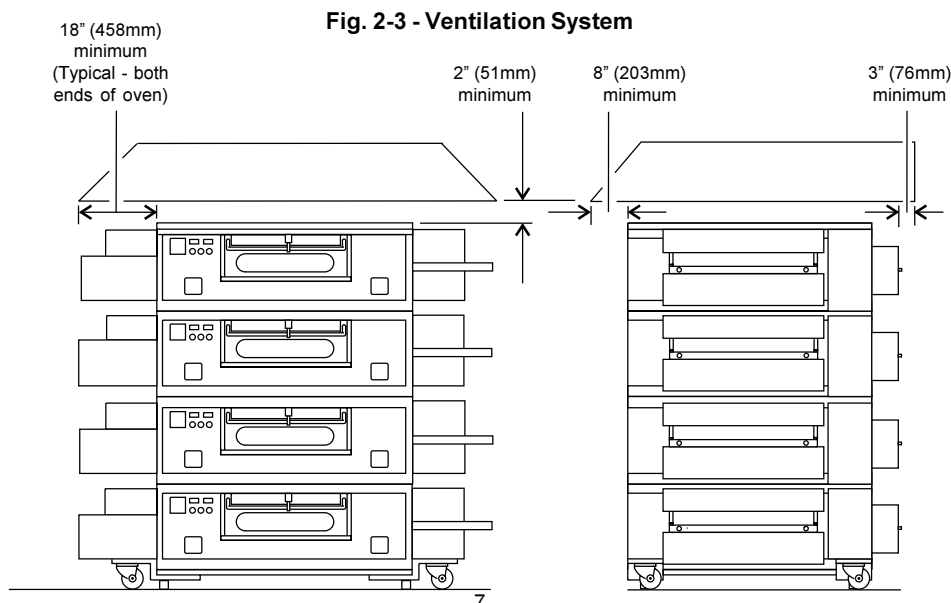
The rate of air flow exhausted through the ventilation system may vary depending on the oven configuration and hood design. Consult the hood manufacturer or ventilation engineer for these specifications.

To avoid a negative pressure condition in the kitchen area, return air must be brought back to replenish the air that was exhausted. A negative pressure in the kitchen can cause heat-related problems to the oven components as if there were no ventilation at all. The best method of supplying return air is through the heating, ventilation and air conditioning (HVAC) system. Through the HVAC system, the air can be temperature-controlled for summer and winter. Return air can also be brought in directly from outside the building, but detrimental effects can result from extreme seasonal hot and cold temperatures from the outdoors.

NOTE: Return air from the mechanically driven system must not blow at the opening of the baking chamber. Poor oven baking performance will result.

C. Other ventilation concerns

- Special locations, conditions, or problems may require the services of a ventilation engineer or specialist.
- Inadequate ventilation can inhibit oven performance.
- It is recommended that the ventilation system and duct work be checked at prevailing intervals as specified by the hood manufacturer and/or HVAC engineer or specialist.



IV. ASSEMBLY

A. Base Pad, Legs, Casters, and Stacking

NOTE: Optional Stacking Lift Kit (P/N 30580)

The Stacking Lift Kit, P/N 30580, is available separately. This Kit provides a complete lift adapter set, specifically designed for stacking PS500 Series oven cavities. The Kit includes an instructional videotape.

1. Install the top panels in place on the top oven cavity. Follow the instructions provided with the top panels.
- 2a. *Legs/Casters Installation (Standard) - Single Ovens, Double Ovens, and Triple Ovens with Leg Extensions*
 - Install one leg extension to each corner of the base pad using the supplied 1/2"-13x1-1/4" bolts, 1/2" flat washers, and 1/2" lockwashers. See Figure 2-4.
 - Install one adjustable foot and one caster into the holes on the bottom of the leg extension. The adjustable foot should be installed into the OUTSIDE hole (closest to the front or rear face of the oven). The caster should be installed into the INSIDE hole.

2b. *Legs/Casters Installation - Triple Ovens Without Leg Extensions*

Install one adjustable foot and one caster into the 3/4" holes on the bottom of the base pad. The adjustable foot should be installed into the OUTSIDE hole (closest to the front or rear face of the oven). The caster should be installed into the INSIDE hole. See Figure 2-5.

2c. *Legs/Casters Installation - Quad Ovens*

- Install one outrigger to each corner of the base pad using the supplied 1/2"-13x1-1/4" bolts, 1/2" flat washers, and 1/2" lockwashers. See Figure 2-6.
- Install the spacer plates and casters onto the outriggers using the 3/8"-16x1" screws, 3/8" flat washers, and 3/8"-16 hex nuts supplied in the Installation Kit. The two locking casters should be installed on the front side of the oven.
- Install the adjustable feet into the holes on the underside of the outrigger assembly.

3. Install the base pad onto the lower oven cavity. Check that the eyebolt welded onto the pad faces the rear of the oven.
4. Stack the oven cavities. If necessary, refer to the instructional videotape provided with the Stacking Lift Kit (P/N 30580).

B. Restraint Cable Installation

Because the oven is equipped with casters, a restraint cable assembly must be installed to limit the movement of the appliance without depending on the connector and the quick disconnect device or its associated piping. One end of the cable is anchored to the eyebolt on the rear surface of the oven's base pad, while the other is anchored to the wall. See Figure 2-7.

After connecting the restraint cable, move the oven to its final location. Adjust the bottom (hex) sections of the feet so that the casters are off the floor. For quad ovens, lock the two front casters.

C. Conveyor Installation

NOTE

Split belt conveyors can only be installed from the end of the oven with the drive motor.

Single-belt conveyor assemblies may be inserted into either end of the oven. If it is to be installed from the end of the oven without the drive motor, the drive sprocket assembly must be removed.

Figure 2-4 - Legs and Casters - Standard

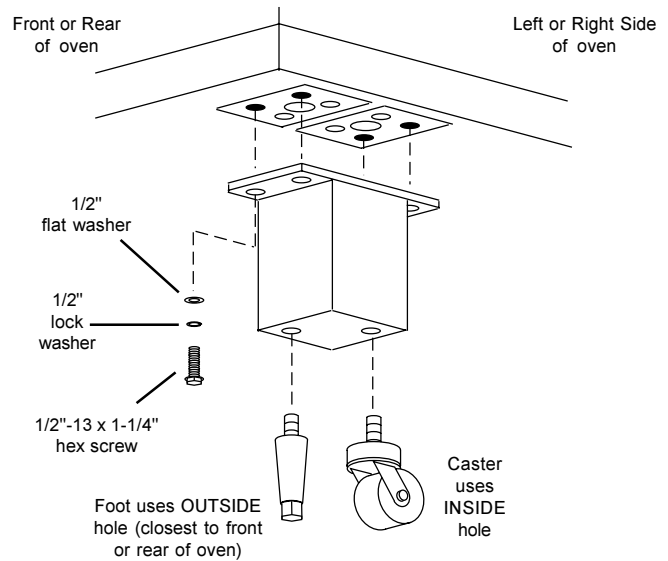


Figure 2-5 - Legs and Casters for Triple Oven Without Leg Extensions

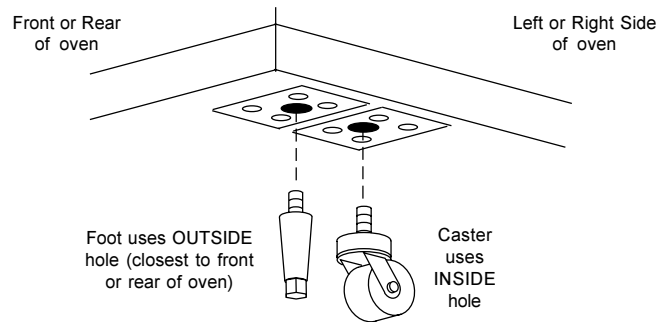
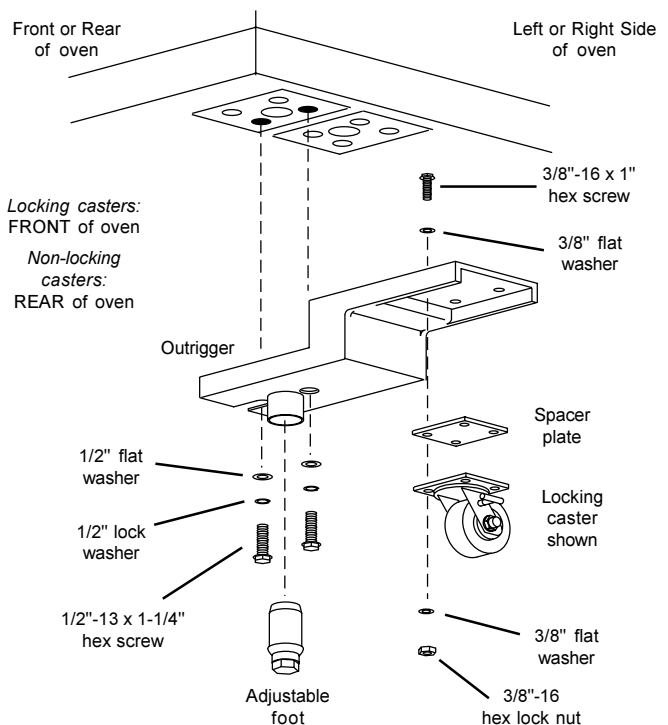


Figure 2-6 - Legs and Casters for Quad Oven



To remove the drive sprocket (if necessary), loosen the set screw on the conveyor collar as shown in Figure 2-8. Then, pull the sprocket assembly straight out.

1. Lift the conveyor and position it in the oven. See Figure 2-9.
2. Continue moving the conveyor into the oven until the frame protrudes equally from each end of the oven (about 18" / 457mm).
3. Check that the retainers located on the underside of the conveyor frame rest firmly against the lower end plugs, as shown in Figure 2-9.
4. When the conveyor is positioned properly, check for freedom of movement of the conveyor belt by pulling it for about 2-3 feet (60 to 90 cm) with your fingers. The conveyor must move freely.
5. If the drive sprocket was removed when installing the conveyor, replace it at this time.
6. Install the drive chain between the conveyor drive sprocket and the motor sprocket. To install the chain, it will be necessary to lift the drive end of the conveyor slightly.
7. Install the conveyor drive motor cover.
8. Check the tension of the conveyor belt as shown in Figure 2-10. The belt should lift between 3-4" (75-100mm). **DO NOT OVERTIGHTEN THE CONVEYOR BELT.**

NOTE:

If necessary, the belt tension can be adjusted by turning the conveyor adjustment screws, located at the idler (right) end of the conveyor. See Figure 2-10.

9. If necessary, links can be added to or removed from the conveyor belt to achieve the correct deflection of 3-4" (75-100mm). If links must be removed from the belt, it can be reattached to the conveyor as follows:
 - a. The conveyor belt links must be oriented as shown in Figure 2-11.
 - b. The smooth side of the conveyor belt must face UP.
 - c. Connect the inside master links. Check that the links are oriented as shown in Figure 2-11.
 - d. Connect the outside master links. Note that the outside master links have right and left sides. The right-side master link has an open hook facing you, as shown in Figure 2-11.
 - e. Check for freedom of movement of the conveyor belt by pulling it for about 2-3 feet (60 to 90 cm) with your fingers. The conveyor must move freely.
 - f. Return to Step 8, above, to re-check the belt tension.

Figure 2-10 - Checking the conveyor tension

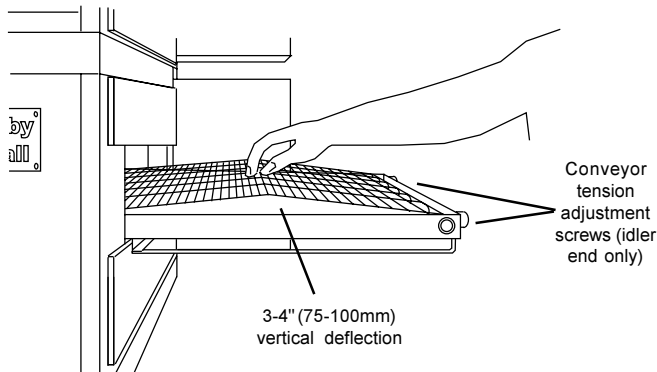


Figure 2-7 - Installing the Restraint Cable

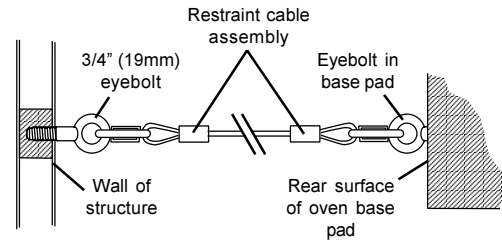


Figure 2-8 - Removing the Conveyor Drive Sprocket

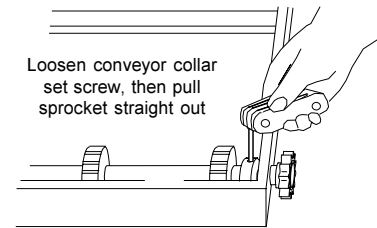


Figure 2-9 - Inserting the Conveyor

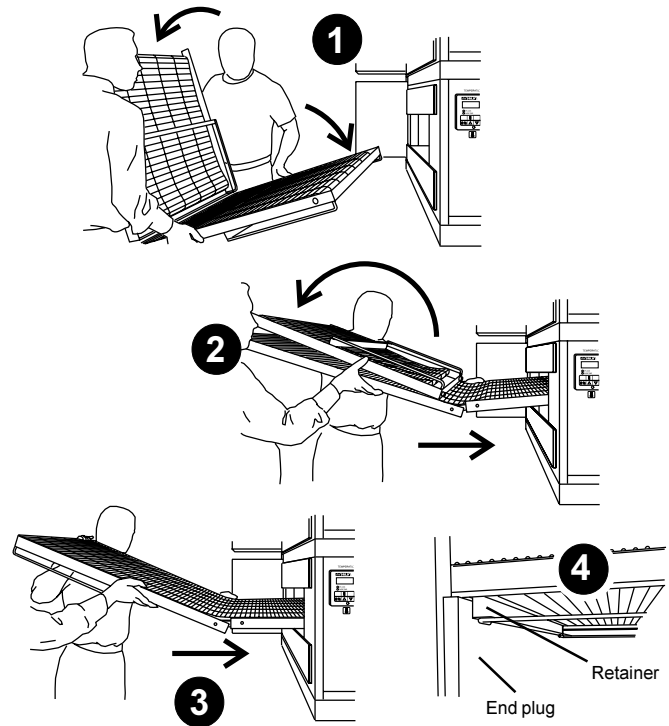
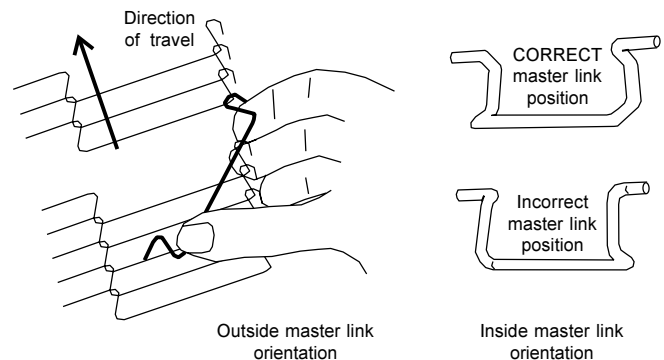


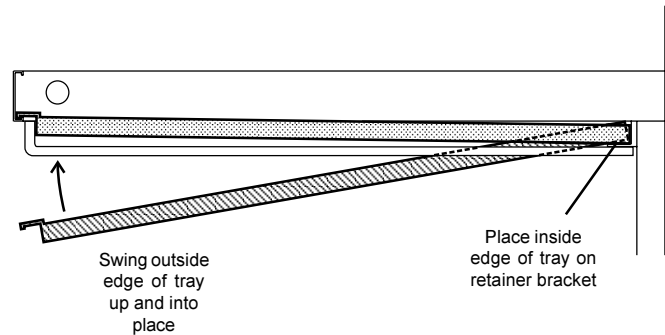
Figure 2-11 - Conveyor and Master Link Orientation



V. FINAL ASSEMBLY

1. Install the crumb trays underneath the conveyor as shown in Figure 2-12. First, place the inside edge of the tray onto the retainer (shown in Figure 2-9). Then, swing the outside edge of the tray up and into place.
2. Press the conveyor end stop and rear stop down over the edge of the conveyor frame. See Figure 1-1 (in Section 1, [Description](#)).

Figure 2-12 - Crumb trays

**VI. ELECTRICAL SUPPLY****WARNING**

Authorized supplier personnel normally accomplish the connections for the ventilation system, electric supply, and gas supply, as arranged by the customer. Following these connections, the factory-authorized installer can perform the initial startup of the oven.

NOTE: The electric supply installation must satisfy the requirements of the appropriate statutory authority, such as the National Electrical Code (NEC), ANSI/NFPA70, (U.S.A.); the Canadian Electrical Code, CSA C22.2; the Australian Code AG601; or other applicable regulations.

NOTE: The electric supply connection must meet all national and local electrical code requirements.

Check the oven serial plate before making any electric supply connections. Electric supply connections must agree with data on the oven serial plate. The location of the serial plate is shown in Figure 1-1 (in Section 1, [Description](#)).

A fused disconnect switch or a main circuit breaker (customer furnished) **MUST** be installed in the electric supply line for each oven cavity. It is recommended that this switch/circuit breaker have lockout/tagout capability.

The supply conductors must be of the size and material (copper) recommended. Refer to the wiring diagram inside the machinery compartment of the oven. Electrical specifications are also listed on the oven's serial plate and in Table 1-4, [Electrical Specifications](#) (in Section 1, [Description](#)).

The oven requires a ground connection to the oven ground screw. For gas ovens, the ground screw is located in the electrical junction box (see Figure 2-13). For electric ovens, the ground screw is located inside the side compartment of the oven (see Figure 2-14). If necessary, have the electrician supply the ground wire. **Do NOT use the wiring conduit or other piping for ground connections!**

A. Additional Information - Gas Ovens

Incoming electrical power lines are fed through the strain-relief fitting, shown in Figure 2-13. The electrical supply connections are made inside the electrical junction box. The power lines then connect to the oven circuits through safety switches located inside the machinery compartment and each blower motor compartment. These switches interrupt electric power to the oven when the Machinery Compartment Access Panel is opened, OR when either of the blower or rear shrouds is removed.

B. Additional Information - Electric Ovens

A 2" (51mm) dia. cutout in the back wall of the machinery compartment provides access to the electrical supply connections. The actual wiring connections are made at the terminal block located inside the side compartment of the oven.

Using flexible cables for the electric power supply conductors requires a 2" (51mm) strain-relief fitting (not furnished with the oven) to enable safe access to the terminal block.

C. Connection

Refer to the wiring diagram inside the machinery compartment of the oven to determine the correct connections for the electrical supply lines. Connect the supply as indicated on the wiring diagram.

CAUTION

The terms of the oven's warranty require all start-ups, conversions and service work to be performed by a Middleby Marshall Authorized Service Agent.

Figure 2-13 - Utility Connection Locations for Gas Ovens

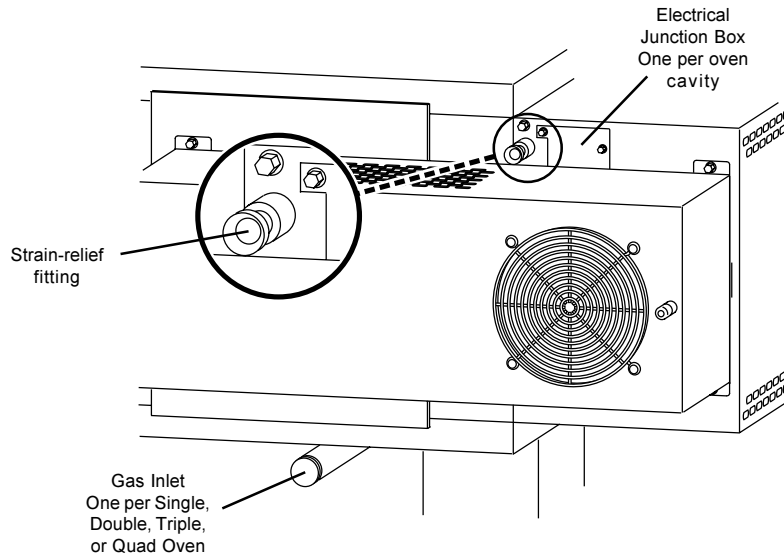
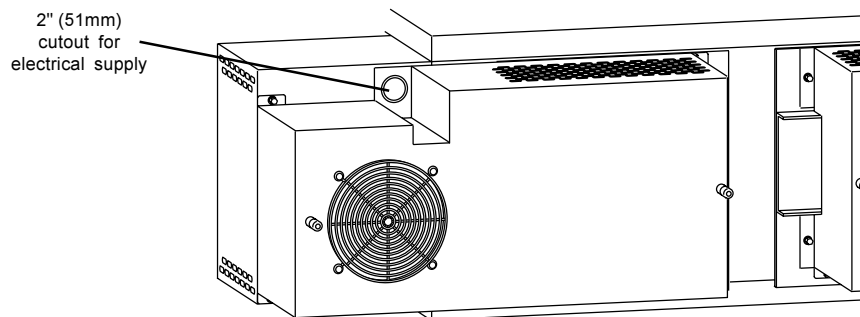


Figure 2-14 - Utility Connection Locations for Electric Ovens



VII. GAS SUPPLY

CAUTION

DURING PRESSURE TESTING NOTE ONE OF THE FOLLOWING:

1. The oven and its individual shutoff valve must be disconnected from the gas supply piping system during any pressure testing of that system at test pressure in excess of 1/2 psi (3.45 kPa).

2. The oven must be isolated from the gas supply piping system by closing its individual manual shutoff valve during any pressure testing of the gas supply piping system at test pressure equal to or less than 1/2 psi (3.45 kPa).

3. If incoming pressure is over 14" W.C. (35mbar), a separate regulator **MUST** be installed in the line **BEFORE** the individual shutoff valve for the oven.

WARNING: To prevent damage to the control valve regulator during initial turn-on of gas, it is very important to open the manual shutoff valve very slowly.

After the initial gas turn-on, the manual shutoff valve must remain open except during pressure testing as outlined in the above steps or when necessary during service maintenance.

A. Gas Utility Rough-In Recommendations

The following gas system specifications are **STRONGLY RECOMMENDED**. Deviating from these recommendations may affect the baking performance of the oven.

Gas Meter

- One or two oven cavities: 750 cfh meter
- Three or four oven cavities: 1200 cfh meter

Gas Line

- DEDICATED LINE from the gas meter to the oven
- 2-1/2" (63.5mm) pipe for natural gas
- 2" (50.8mm) pipe for propane
- Maximum length: 200' (61m). Each 90° elbow equals 7' (2.13m) of pipe.

SECTION 2 - INSTALLATION

B. Connection

Check the oven's gas supply requirements before making the gas utility connection. Gas supply requirements are listed on the oven's serial plate and in Table 1-3, Gas Orifice and Pressure Specifications (in Section 1, Description).

Check the serial plate to determine the type of gas (Propane or Natural) to be used with the oven.

Refer to the instructions in the gas hose package (included in the Installation Kit) before connecting the gas line. One gas line connection method is shown in Figure 2-15; however, compliance with the applicable standards and regulations is mandatory.

Inlet, regulated, and pilot gas pressure readings can be taken using a "U" tube manometer at the tap locations shown in Figure 2-16.

NOTE

The installation must conform with local codes or in the absence of local codes, with the National Fuel Gas Code, ANSI Z223.1-latest edition.

In Australia, the installation must conform with AGA Code AG601 and with any requirements of the appropriate statutory authority.

CANADIAN:

CAN/CGA-B 149.1 Natural Gas Installation Code

CAN/CGA-B 149.2 Propane Installation Code

Certain safety code requirements exist for the installation of gas ovens; refer to the beginning of Section 2 for a list of the installation standards. In addition, because the oven is equipped with casters, the gas line connection shall be made with a connector that complies with the Standard for Connectors for Movable Gas Appliances, ANSI Z21.69 (in U.S.A.), or, if applicable, Connectors for Movable Gas Appliances, CAN/CGA-6.16 (in Canada), as well as a quick-disconnect device that com-

plies with the Standard for Quick-Disconnect Devices for Use With Gas Fuel, ANSI Z21.41 (in U.S.A.), or, if applicable, Quick-Disconnect Devices for Use With Gas Fuel, CAN1-6.9 (in Canada).

C. Gas Conversion

Where permitted by local and national codes, it is possible to convert ovens from natural to propane gas, or from propane to natural gas. Use the appropriate Middleby Marshall Gas Conversion Kit for the specific oven model.

CAUTION

The terms of the oven's warranty require all start-ups, conversions and service work to be performed by a Middleby Marshall Authorized Service Agent.

ENGLISH

Figure 2-15 - Flexible Gas Hose Installation

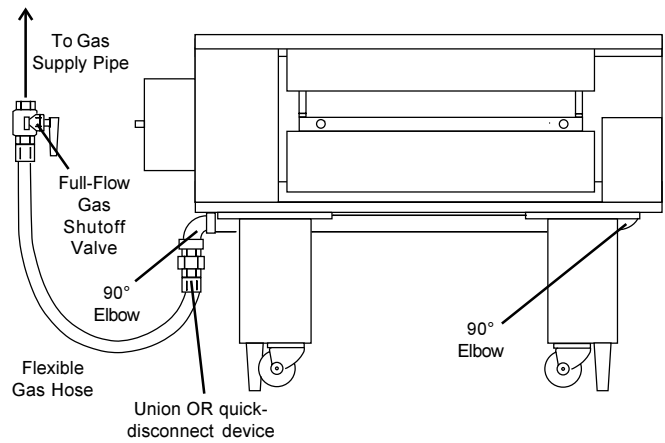
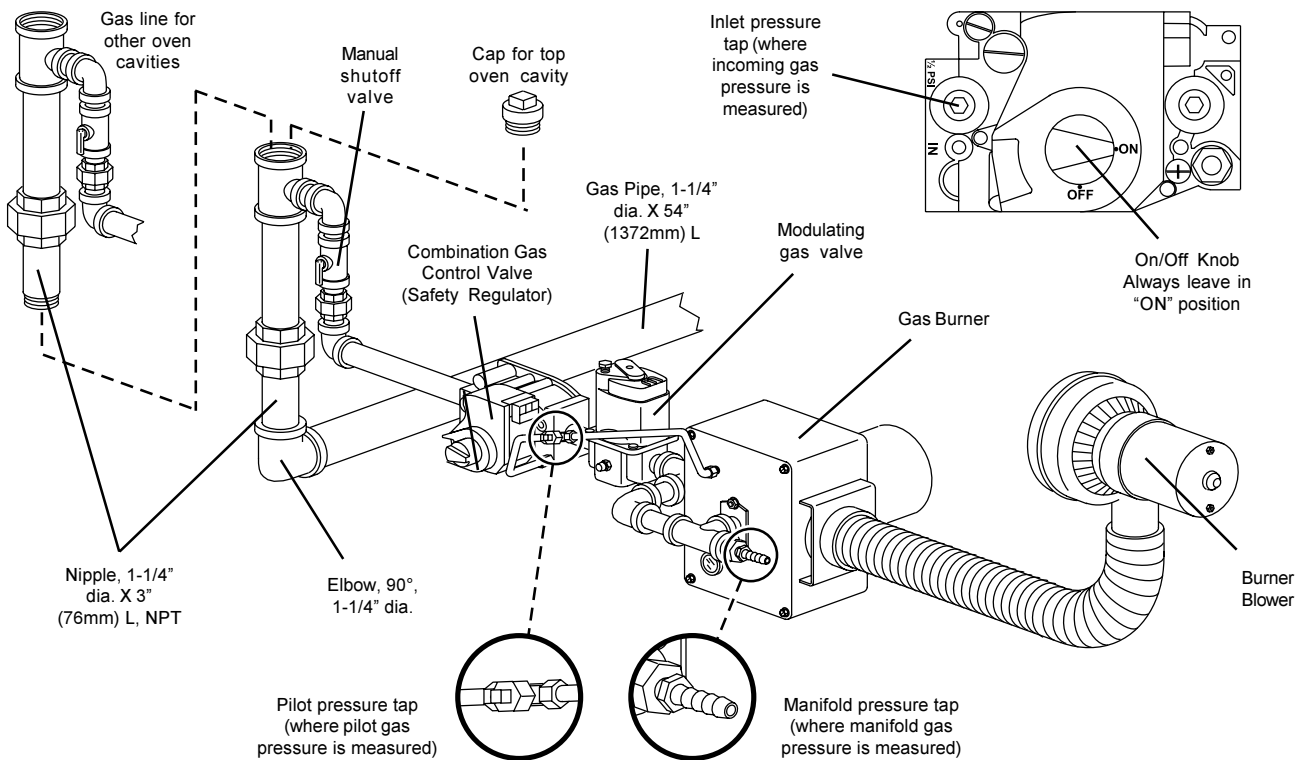


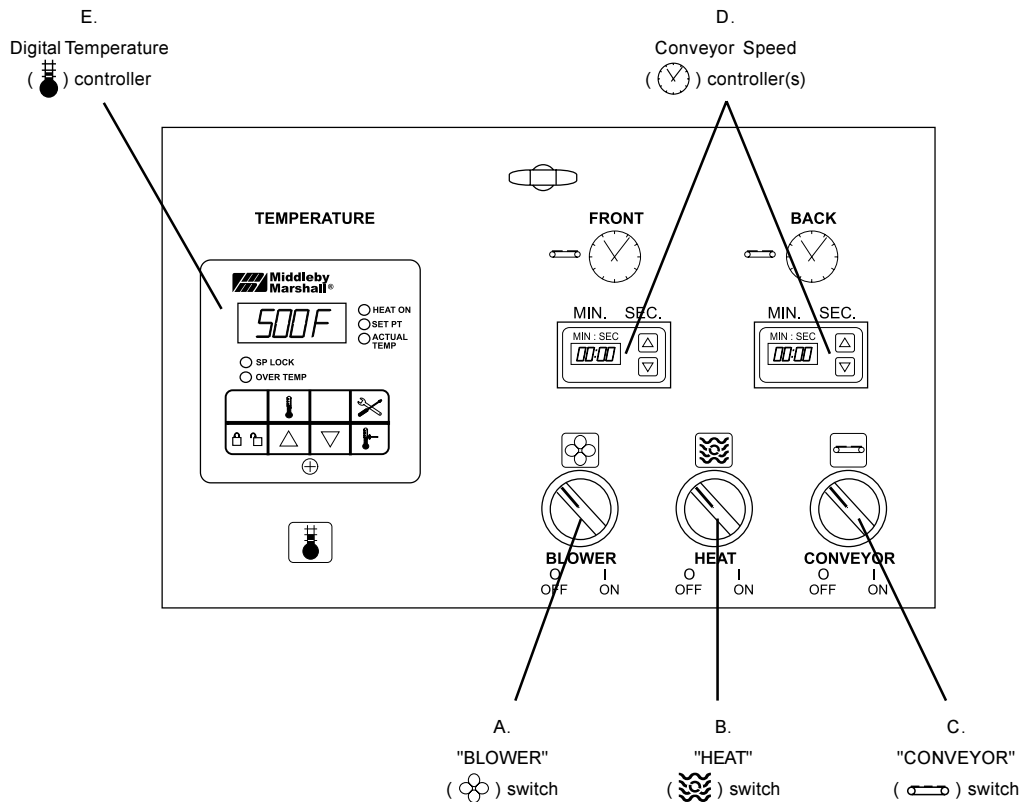
Figure 2-16 - Gas Burner and Piping Assembly

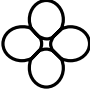






SECTION 3 - OPERATION

I. LOCATION AND DESCRIPTION OF CONTROLS

Fig. 3-1 - Control Panel



- A.  **"BLOWER" Switch:** Turns the blowers and cooling fans on and off. The HEAT Switch has no effect unless the BLOWER Switch is in the "ON" position.
- B.  **"HEAT" Switch:** Allows the burner or heating elements, as appropriate for the oven model, to activate. Activation is determined by the settings on the Digital Temperature Controller.
- C.  **"CONVEYOR" Switch:** Turns the conveyor drive motor on and off.
- D.  **Conveyor Speed Controller:** Adjusts and displays the bake time. Single-belt ovens have one controller. Split belt ovens have one controller for each conveyor belt, labeled "FRONT" and "BACK."
- E.  **Digital Temperature Controller:** Continuously monitors the oven temperature. Settings on the Digital Temperature Controller control the activation of the burner or heating elements. Keypad controls allow the operator to select the cooking temperature and monitor oven operation.

NOT SHOWN:

- F. **Machinery Compartment Access Panel Safety Switches:** Disconnect electrical power to the controls and the blowers when the machinery compartment access panel is opened. The panel should only be opened by authorized service personnel.

II. NORMAL OPERATION - STEP-BY-STEP

A. DAILY STARTUP PROCEDURE

1. Check that the circuit breaker/fused disconnect is in the on position. Check that the window is closed.

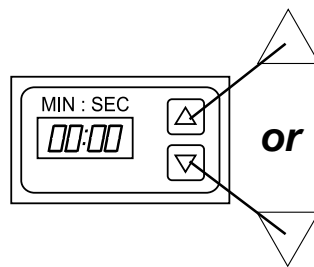
2. Turn the "BLOWER" (🌀) switch to the "ON" ("I") position.



3. Turn the "CONVEYOR" (↔) switch to the "ON" ("I") position.

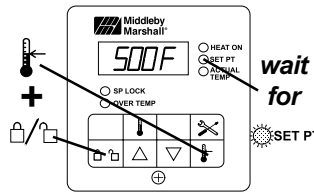


4. If necessary, adjust the conveyor speed setting by pressing the ▲ or ▼ pushbuttons on the conveyor speed controller to change the displayed bake time.

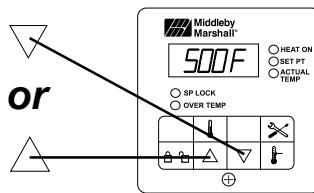


5. Adjust the temperature controller to a desired set temperature, if necessary.

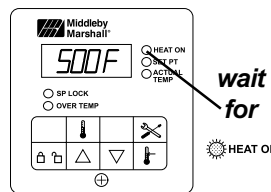
- Press the Set Point and Unlock keys at the same time. Wait for the "SET PT" light to turn on.



- Press the Up Arrow and Down Arrow Keys as necessary to adjust the setpoint.

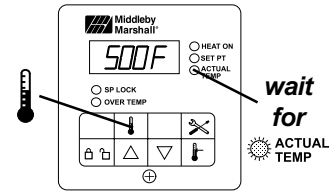


6. Turn the "HEAT" (🔥) switch to the "ON" ("I") position, and wait for the "HEAT ON" light to turn on.



7. Wait for the oven to heat to the setpoint temperature. Higher setpoint temperatures will require a longer wait. The oven can reach a temperature of 500°F (232°C) in approximately 5 minutes.

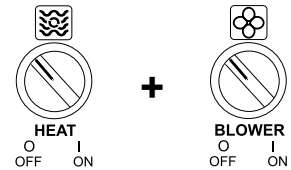
8. (Optional) Press the Temperature (🌡️) key to show the Actual Temperature in the display, and wait for the "ACTUAL TEMP" light to turn on. This allows you to monitor the oven temperature as it rises to the setpoint.



9. Allow the oven to preheat for 10 minutes after it has reached the set point temperature.

B. DAILY SHUTDOWN PROCEDURE

1. Turn the "HEAT" (🔥) and "BLOWER" (🌀) switches to the "OFF" ("O") position. Note that the blowers will remain in operation until the oven has cooled to below 200°F (93°C).



2. Make certain that there are no products left on the conveyor inside the oven. Turn the "CONVEYOR" (↔) switch to the "OFF" ("O") position.



3. Open the window to allow the oven to cool faster.

4. After the oven has cooled and the blowers have turned off, switch the circuit breaker/fused disconnect to the off position.

IMPORTANT

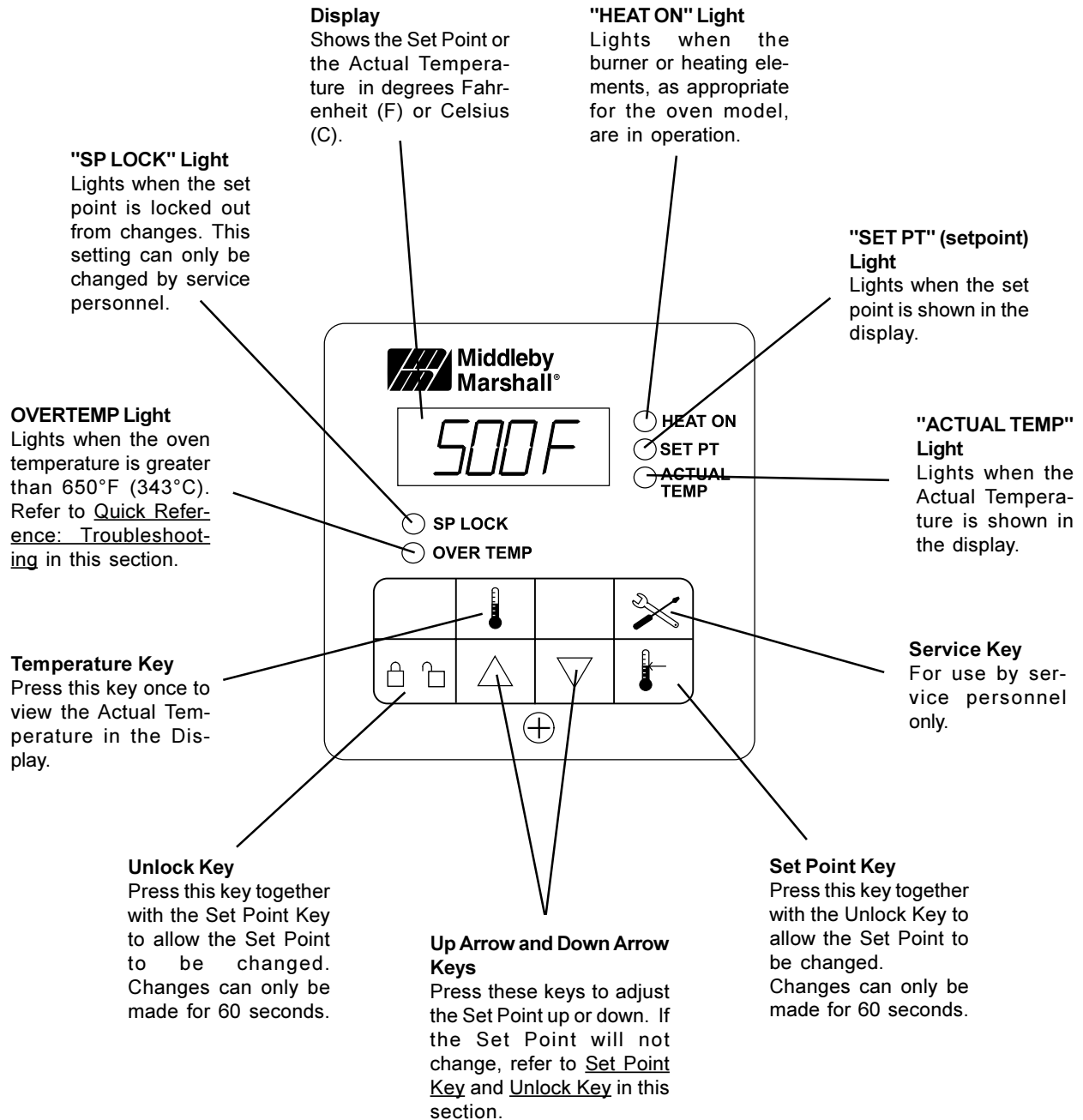
On gas ovens, if the "HEAT ON" light will not illuminate, OR if the oven does not heat, the gas burner may not have lit. Turn the "HEAT" (🔥), "BLOWER" (🌀), and "CONVEYOR" (↔) switches to the "OFF" ("O") position. Wait for AT LEAST FIVE MINUTES before restarting the oven. Then, repeat the Daily Startup procedure.

CAUTION

In case of power failure, turn all switches to the "OFF" ("O") position, open the oven window, and remove the product. After the power has been restored, perform the normal startup procedure. IF THE OVEN WAS SWITCHED OFF FOR LESS THAN 5 MINUTES, WAIT FOR AT LEAST FIVE MINUTES BEFORE RESTARTING THE OVEN.

The burner will not operate and gas will not flow through the burner without electric power. No attempt should be made to operate the oven during a power failure.

III. QUICK REFERENCE: DIGITAL TEMPERATURE CONTROLLER



IV. QUICK REFERENCE: TROUBLESHOOTING

SYMPTOM	PROBLEM	SOLUTION
 OVERTEMP <i>light is lit, food product is undercooked</i>	The oven temperature exceeded 650°F (343°C), and the burner or heating elements were automatically shut down.	<ul style="list-style-type: none"> Follow the procedures under Daily Shutdown Procedures in this section to shut down the oven. Contact your Middleby Marshall Authorized Service Agent to determine and correct the cause of the condition to prevent damage to the oven.
<i>Oven will not turn on at all</i>	Electrical power may not be reaching the oven, or the controls may be set incorrectly.	<ul style="list-style-type: none"> Check that the circuit breaker/fused disconnect is turned on. Check that the "BLOWER" (☉) Switch is in the "ON" ("I") position. The burner cannot engage until the blowers are in operation.
<i>Oven shuts down shortly after it is turned on (gas ovens only)</i>	The gas burner did not light within 90 seconds of turning the "HEAT" (☼) Switch to the "ON" ("I") position. This automatically engages a safety lockout mode.	<ul style="list-style-type: none"> Turn the "HEAT" (☼), "BLOWER" (☉), and "CONVEYOR" (☞) switches to the "OFF" ("O") position. Wait for AT LEAST FIVE MINUTES before restarting the oven. Repeat the Daily Startup procedure.
 <i>appears in display, oven is not heating</i>	The oven did not reach 200°F (93°C) within 15 minutes of startup, and the oven has stopped heating.	<ul style="list-style-type: none"> Turn the "HEAT" (☼), "BLOWER" (☉), and "CONVEYOR" (☞) switches to the "OFF" ("O") position. Wait for AT LEAST FIVE MINUTES before restarting the oven. Repeat the Daily Startup procedure.
<i>Oven will not heat</i>	Controls may be set incorrectly.	<ul style="list-style-type: none"> Check that the Set Point is correctly set. Check that both the "BLOWER" (☉) and "HEAT" (☼) Switches are in the "ON" ("I") position. If the oven still will not heat, turn the "HEAT" (☼), "BLOWER" (☉), and "CONVEYOR" (☞) switches to the "OFF" ("O") position. Wait for AT LEAST FIVE MINUTES before restarting the oven. Repeat the Daily Startup procedure. Check that the Set Point is above 200°F (93°C).
<i>Oven is operating, but little or no air is blowing from air fingers</i>	Air fingers may have been reassembled incorrectly after cleaning.	<ul style="list-style-type: none"> Turn the oven off, and allow it to cool. Disconnect electrical power to the oven. Refer to Section 4, Maintenance, for instructions on reassembling the air fingers.
<i>Conveyor moves with a jerky motion, or will not move at all</i>	Conveyor may be jammed on an object in the oven, or conveyor belt or drive chain tension may be incorrect.	<ul style="list-style-type: none"> Turn the oven off, and allow it to cool. Disconnect electrical power to the oven. Check if the conveyor is blocked by an object inside the oven. Refer to Section 4, Maintenance, for instructions on checking the conveyor and drive chain tension.
<i>Food products are overcooked or undercooked.</i>	Controls may be set incorrectly.	<ul style="list-style-type: none"> Check that the set temperature and bake time settings are correct.

IF THESE STEPS FAIL TO RESOLVE THE PROBLEM, CONTACT YOUR LOCAL MIDDLEBY MARSHALL AUTHORIZED SERVICE AGENT. A SERVICE AGENCY DIRECTORY IS SUPPLIED WITH YOUR OVEN.

SECTION 4 - MAINTENANCE

WARNING

Before ANY cleaning or servicing of the oven, perform the following procedure:

1. Switch off the oven and allow it to cool. Do NOT service the oven while it is warm.
2. Turn off the electric supply circuit breaker(s) and disconnect the electric supply to the oven.
3. If it is necessary to move the oven for cleaning or servicing, disconnect the gas supply connection before moving the oven.

When all cleaning and servicing is complete:

- | | |
|---------------------------------------------------------------------------------------------------------------------------------------------------------------------------------------------------------------------------------------------------------------------------------------------------------------|----------------------------------------------------------------------------------------------------------------------------------------------------------------------------------------------------------------------------------------------------------------------------------------------------------------------------------------------------------------------------|
| <ol style="list-style-type: none"> 1. If the oven was moved for servicing, return the oven to its original location. 2. For gas ovens, reconnect the gas supply. 3. Reconnect the electrical supply. 4. If the restraint cable was disconnected to clean or service | <ol style="list-style-type: none"> 5. the oven, reconnect it at this time. 6. For gas ovens, turn on the full-flow gas safety valve. Test the gas line connections for leaks using approved leak test substances or thick soap suds. 7. Turn on the electric supply circuit breaker(s). 8. Perform the normal startup procedure. |
|---------------------------------------------------------------------------------------------------------------------------------------------------------------------------------------------------------------------------------------------------------------------------------------------------------------|----------------------------------------------------------------------------------------------------------------------------------------------------------------------------------------------------------------------------------------------------------------------------------------------------------------------------------------------------------------------------|

WARNING

Possibility of injury from moving parts and electrical shock exists in this oven. Switch off and lockout/tagout the electric supply BEFORE beginning to disassemble, clean, or service any oven. Never disassemble or clean an oven with the BLOWER (⊗) switch or any other circuit of the oven switched on.

CAUTION

NEVER use a water hose or pressurized steam-cleaning equipment when cleaning this oven. DO NOT use excessive amounts of water, to avoid saturating the oven insulation. DO NOT use a caustic oven cleaner, which can damage the aluminized bake chamber surfaces.

NOTE

ANY replacement parts that require access to the interior of the oven may ONLY be replaced by a Middleby Marshall Authorized Service Agent. It is also strongly recommended that the 3-Month Maintenance and 6-Month Maintenance procedures in this section be performed ONLY by a Middleby Marshall Authorized Service Agent.

I. MAINTENANCE - DAILY

- A. Check that the oven is cool and the power is disconnected, as described in the warning at the beginning of this Section.
- B. Clean the outside of the oven with a soft cloth and mild detergent.
- C. Clean the front cooling fans, as follows:
 - Snap off the protective grille, and wipe it clean with a cloth. See Figure 4-1.
 - Remove the foam filter and inspect it. If it is dusty, shake it briskly. If dirt or grease is present on the filter, wash it in warm, soapy water. Rinse the filter, squeeze it to remove as much of the water as possible, and then set it aside to dry thoroughly before reinstallation.
 - Once the filter is dry, reinstall the filter and grille.
- D. Clean the motor shroud and rear grills using a stiff nylon brush. Refer to Figure 4-2 for the locations of the grills.
- E. Check that ALL cooling fans are operating properly.

CAUTION

If a cooling fan is not operating correctly, it must be replaced IMMEDIATELY. Operating the oven without adequate cooling can damage the oven's internal components.

- F. Clean the conveyor belts with a stiff nylon brush. This is more easily accomplished by allowing the conveyor to run while you stand at the exit end of the conveyor. Then, brush the crumbs off the conveyor as it moves.
- G. Remove and clean the crumb trays. When reinstalling the trays, refer to Figure 2-12 (in Section 2, Installation).

Figure 4-1 - Front Cooling Fans

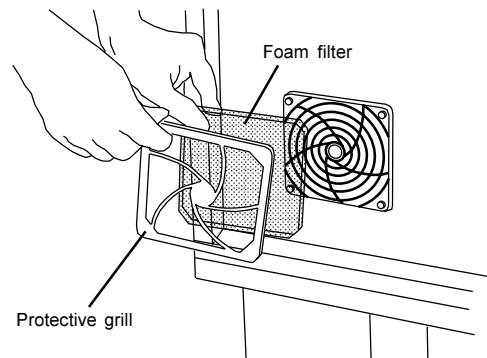
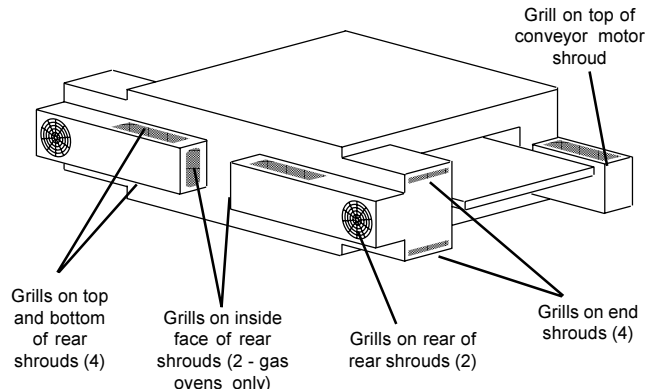


Figure 4-2 - Rear Grills and Motor Shroud Grill



II. MAINTENANCE - MONTHLY

NOTE

When removing the conveyor, refer to Figure 2-9 (in Section 2, [Installation](#)).

- Check that the oven is cool and the power is disconnected, as described in the warning at the beginning of this Section.
- Remove the crumb trays and drive motor shroud from the oven.
- Lift the drive end of the conveyor slightly, and push it forward into the oven. This removes the tension from the drive chain. Then, remove the drive chain from the conveyor sprocket.
- Slide the conveyor out of the oven, folding it as it is removed.

NOTE

Split belt conveyors can only be removed from the end of the oven with the drive motor.

Single-belt conveyor assemblies may be removed from either end of the oven. If it is to be removed from the end of the oven without the drive motor, remove the drive motor sprocket as described in the [Conveyor Installation](#) instructions (in Section 2, [Installation](#)).

- Remove the end plugs from the oven. The end plugs are shown in Figure 1-1 (in Section 1, [Description](#)).
- Slide the air fingers and blank plates out of the oven, as shown in Figure 4-3. AS EACH FINGER OR PLATE IS REMOVED, WRITE A "LOCATION CODE" ON IT WITH A MARKER to make sure that it can be reinstalled correctly.

Example of markings:

(Top Row)	T1	T2	T3	T4	T5	T6
(Bottom Row)	B1	B2	B3	B4	B5	B6

- Disassemble the air fingers as shown in Figure 4-4. AS EACH FINGER IS DISASSEMBLED, WRITE THE "LOCATION CODE" FOR THE FINGER ON ALL THREE OF ITS PIECES. This will help you in correctly reassembling the air fingers.

CAUTION

Incorrect reassembly of the air fingers will change the baking properties of the oven.

- Clean the air finger components and the interior of the baking chamber using a vacuum cleaner and a damp cloth. Refer to the boxed warnings at the beginning of this Section for cleaning precautions.
- Reassemble the air fingers. Then, replace them in the oven, using the "location code" as a guide.
- Replace the end plugs on the oven.
- Reassemble the conveyor into the oven. If the drive sprocket was removed when installing the conveyor, replace it at this time.
- Reattach the drive chain.
- Check the tension of the conveyor belt as shown in Figure 2-10 (in Section 2, [Installation](#)). The belt should lift between 3-4" (75-100mm). DO NOT OVERTIGHTEN THE CONVEYOR BELT. If necessary, the belt tension can be adjusted by turning the conveyor adjustment screws, located at the idler (right) end of the conveyor.
- Replace the crumb trays and drive motor shroud.

Figure 4-3 - Removing Air Fingers and Plates

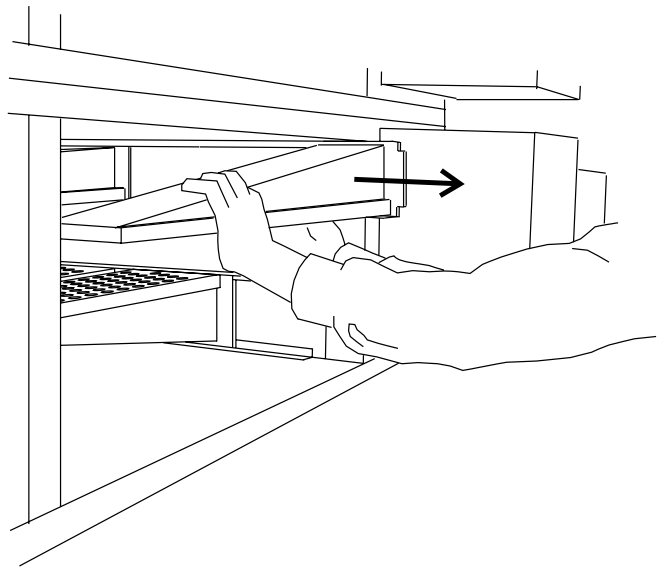
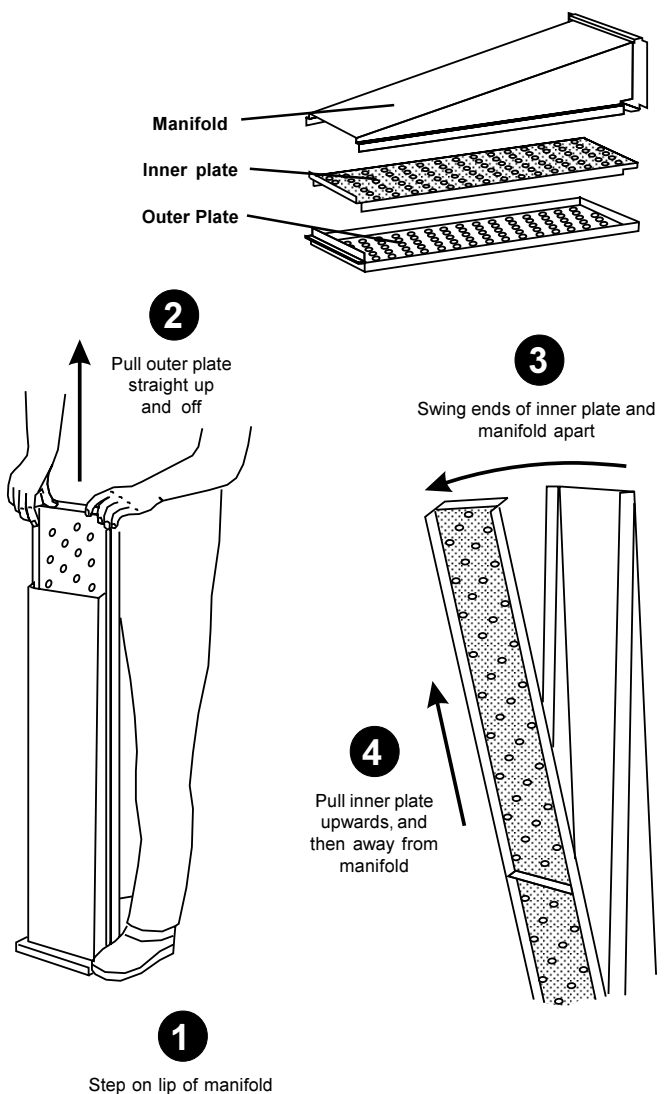


Figure 4-4 - Disassembling the Air Fingers



III. MAINTENANCE - EVERY 3 MONTHS

- A. Check that the oven is cool and the power is disconnected, as described in the warning at the beginning of this Section.
- B. Vacuum both of the blower motors, and their surrounding compartments, using a shop vacuum.
- C. Tighten all electrical control terminal screws.
- D. **Split Belt Disassembly and Cleaning**

For split belt ovens ONLY, disassemble, clean and lubricate the conveyor shaft components as described below.

1. Remove the motor shroud, conveyor extensions, and conveyor as described in Part II, Monthly Maintenance.
2. Remove the master links from each conveyor belt. Then, roll the belts up along the length of the conveyor to remove them from the frame.
3. Remove the two conveyor adjustment screws from the idler end of the conveyor frame, as shown in Figure 4-5.
4. Remove the idler shaft assembly from the conveyor.
5. Pull apart the two sections of the idler shaft. Clean the shafts thoroughly using a rag. Then, lubricate both the extended shaft and the interior of the hollow shaft using an FDA-approved light food-grade lubricant.

CAUTION

DO NOT lubricate the shafts using WD40 or a similar product. This can cause the shafts to wear rapidly.

6. Before reassembling the shafts into the conveyor frame, check that they are oriented properly. Remember that unequal-width split belt ovens should ALWAYS have the narrower belt at the front of the oven.
7. Reassemble the idler shaft into the conveyor. Make sure that the bronze washer is in place between the two sections of the shaft. See Figure 4-7.
8. Replace the conveyor adjustment screws as shown in Figure 4-5. To allow the conveyor belt to be reinstalled later, do not tighten the screws at this time.
9. Loosen the set screw on both of the conveyor drive sprockets. Then, remove the sprockets from the shaft.
10. Loosen the locking collar set screw, as shown in Figure 4-6.
11. Push the drive shaft to the right, then lift it free of the conveyor frame. Then, disassemble and lubricate the two sections of the drive shaft as described in Step 5.
12. Before reassembling the shafts into the conveyor frame, check that they are oriented properly. Remember that unequal-width split belt ovens should ALWAYS have the narrower belt at the front of the oven.
13. Reassemble the drive shaft into the conveyor. Check that the nylon spacer is in place, as shown in Figure 4-7. Also, check that the bronze washer is in place between the two sections of the shaft.
14. Replace the drive sprockets. Reassemble the belts and master links onto the conveyor, and replace the conveyor in the oven.
15. Reassemble the motor shroud and conveyor extensions onto the oven.

16. Check the tension of the conveyor belt. The belt should lift between 3-4" (75-100mm). If necessary, adjust the belt tension by turning the conveyor adjustment screws.

Figure 4-5 - Split Belt Idler Shaft

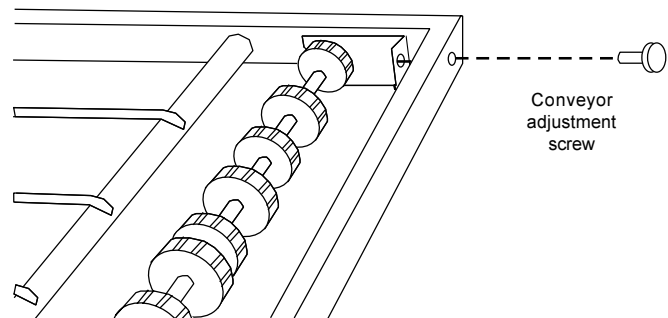


Figure 4-6 - Split Belt Drive Shaft

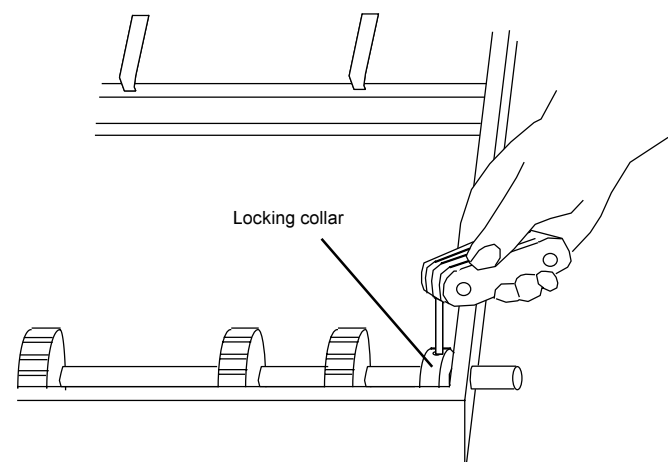
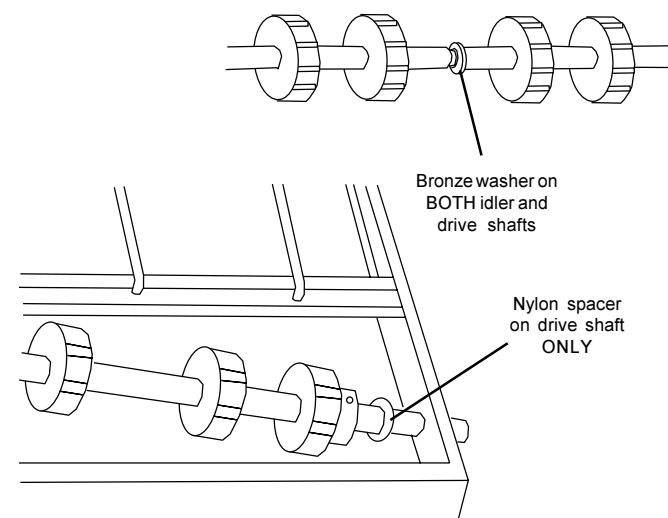


Figure 4-7 - Washer and Spacer



E. Blower Belts

1. To gain access to each blower belt compartment, remove the four screws shown in Figure 4-8. Then, lift the rear shroud off its hangers.

If access to the blower motors is required, remove the three mounting screws (two on the front of each shroud, one on the rear). Then, lift the end shroud straight up and off its hangers. The end shrouds can only be removed AFTER the rear shrouds have been removed.

2. Check each blower belt for at least 1" (25mm) deflection at the center, and for cracking or excessive wear. See Figure 4-9. Overtightening the belt will cause premature bearing failure and possible vibrations.
3. If necessary, adjust the tension of the belt by loosening the four motor mounting bolts. Reposition the motor as necessary until the correct deflection is reached, then tighten the motor mounting bolts.

F. Lubricating the Blower Fan Bearings

1. Use a grease gun to lubricate the main blower fan shaft bearings, as shown in Figure 4-10.

When lubricating the bearings:

- Use a high-quality NLGI #2, lithium soap grease with petroleum oil, such as Middleby P/N 17110-0015.
- Add the grease slowly until a small bead of grease is present at the seals. AVOID OVERGREASING. Excessive greasing may cause harm to the bearing.

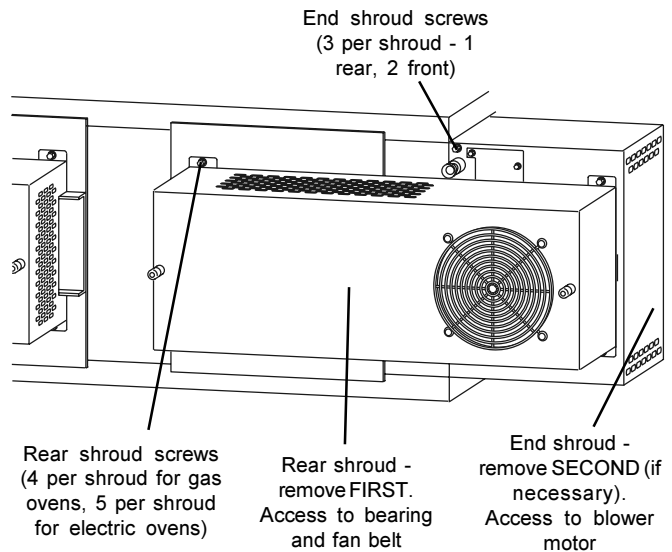
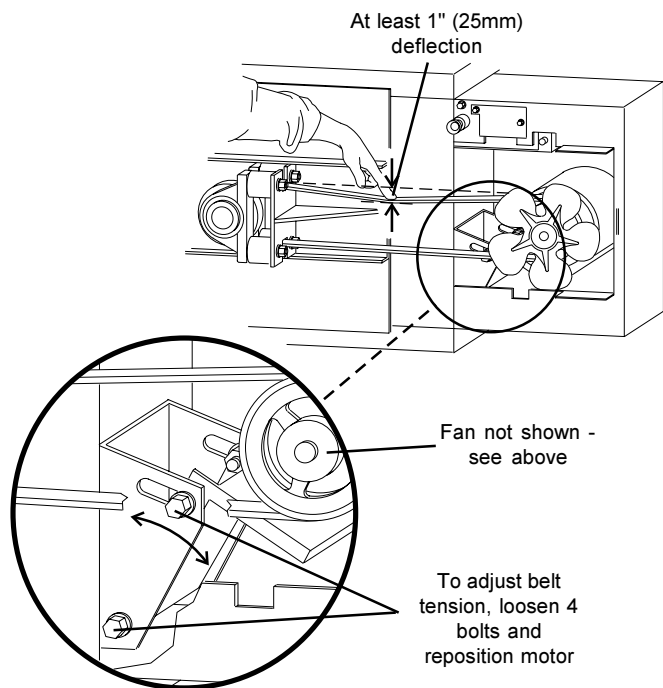
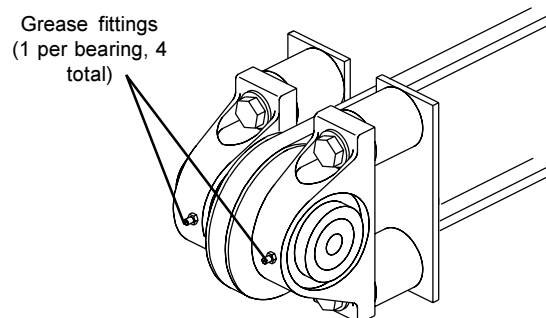
2. Manually turn the blower shaft by pulling on the belt to purge the grease.
3. Wipe off any excess grease on and around the bearings.
4. Replace the shrouds onto the oven.

NOTE

The oven will not operate unless ALL of the motor and rear shrouds are in place.

IV. MAINTENANCE - EVERY 6 MONTHS

- A. Check that the oven is cool and the power is disconnected, as described in the warning at the beginning of this Section.
- B. Check for excessive wear on the conveyor drive motor brushes. The brushes should be replaced if they have worn to less than 1/4" (6.4mm) in length. Be sure to replace the brushes in exactly the same position.
- C. For gas ovens, clean and inspect the burner nozzle and electrode assembly.
- D. Check (and clean, if necessary) the oven venting system.
- E. Check the conveyor drive shaft bushings and spacers. Replace the components if they are worn.

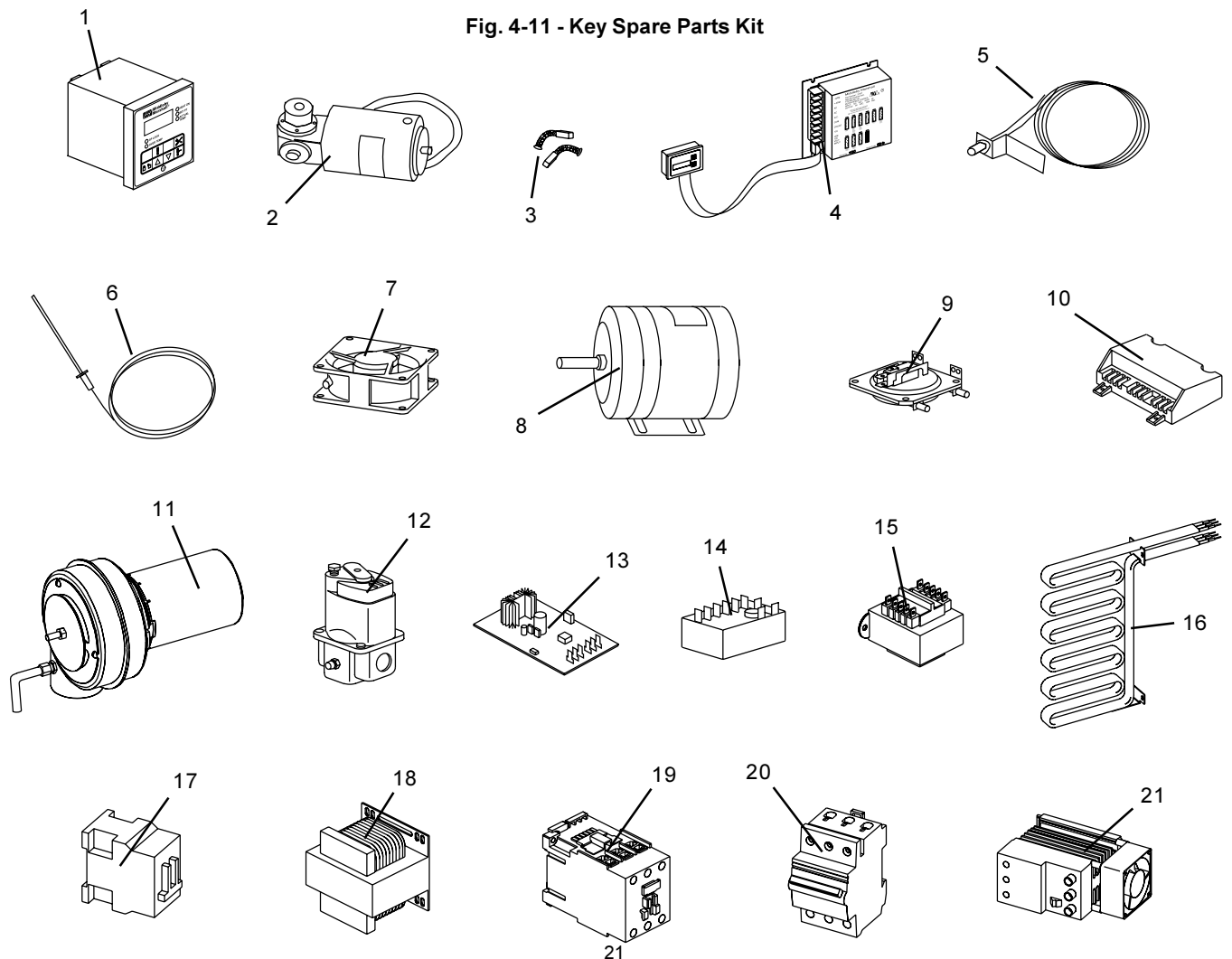
Figure 4-8 - Rear Shrouds and Guard Plates**Figure 4-9 - Fan Belt Tension****Figure 4-10 - Lubricating the Bearings**

V. KEY SPARE PARTS KIT - Available separately. See Figure 4-11.**A. Gas Ovens**

Item Qty.	Part No.	Description
1	1	36939 Kit, Digital Temperature Controller
2	1	27384-0008 Motor, Conveyor Drive
3	2	22450-0052 Brushes, Drive Motor
4	1	37337 Kit, Conveyor Speed Controller
5	1	27170-0263 Assembly, Pickup, Conveyor Drive
6	1	33984 Kit, Thermocouple
7	1	97525 Fan, Cooling
8	1	27381-0069 Motor, Blower, 1 HP
9	1	39530 Air Switch
10	1	42810-0114 Kit, Ignition Module
11	1	38811 Assembly, Burner Blower/Motor
12	1	41647 Valve, Modulating Gas, 1/2"
13	1	31651 Amplifier, Modulating Valve
14	1	33983 High limit control module, 240V
15	1	41872 Transformer, 240Vp:24Vs, 25VA

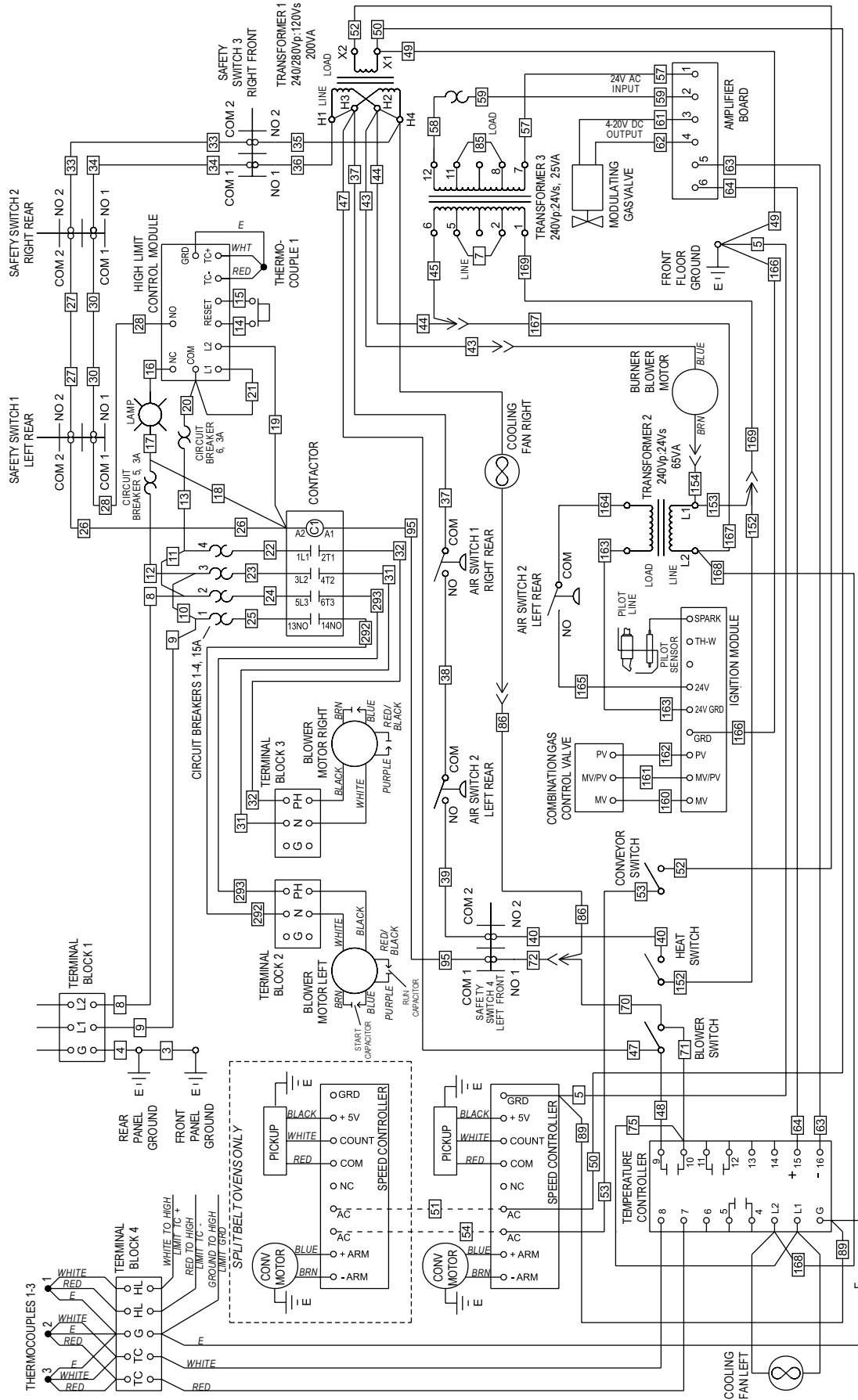
B. Electric Ovens

Item Qty.	Part No.	Description
1	1	36939 Kit, Digital Temperature Controller
2	1	27384-0008 Motor, Conveyor Drive
3	2	22450-0052 Brushes, Drive Motor
4	1	37337 Kit, Conveyor Speed Controller
5	1	27170-0263 Assembly, Pickup, Conveyor Drive
6	1	33984 Kit, Thermocouple
7	1	97525 Fan, Cooling
8	1	27381-0069 Motor, Blower, 1 HP
14	1	33983 High limit control module, 240V
16a	1	43337 Heating element, 208V
16b	1	44525 Heating element, 230V
16c	1	44526 Heating element, 380V
16d	1	44527 Heating element, 480V
17	1	28041-0008 Contactor
18	1	31504 Transformer, 230Vp:120Vs, 200VA
19	1	44549 Contactor
20	1	35018 Circuit breaker block, 3-pole, 50A
21a	1	44568 Controller (380V & 480V ovens)
21b	1	44914 Controller (208V, 230V, & 240V ovens)



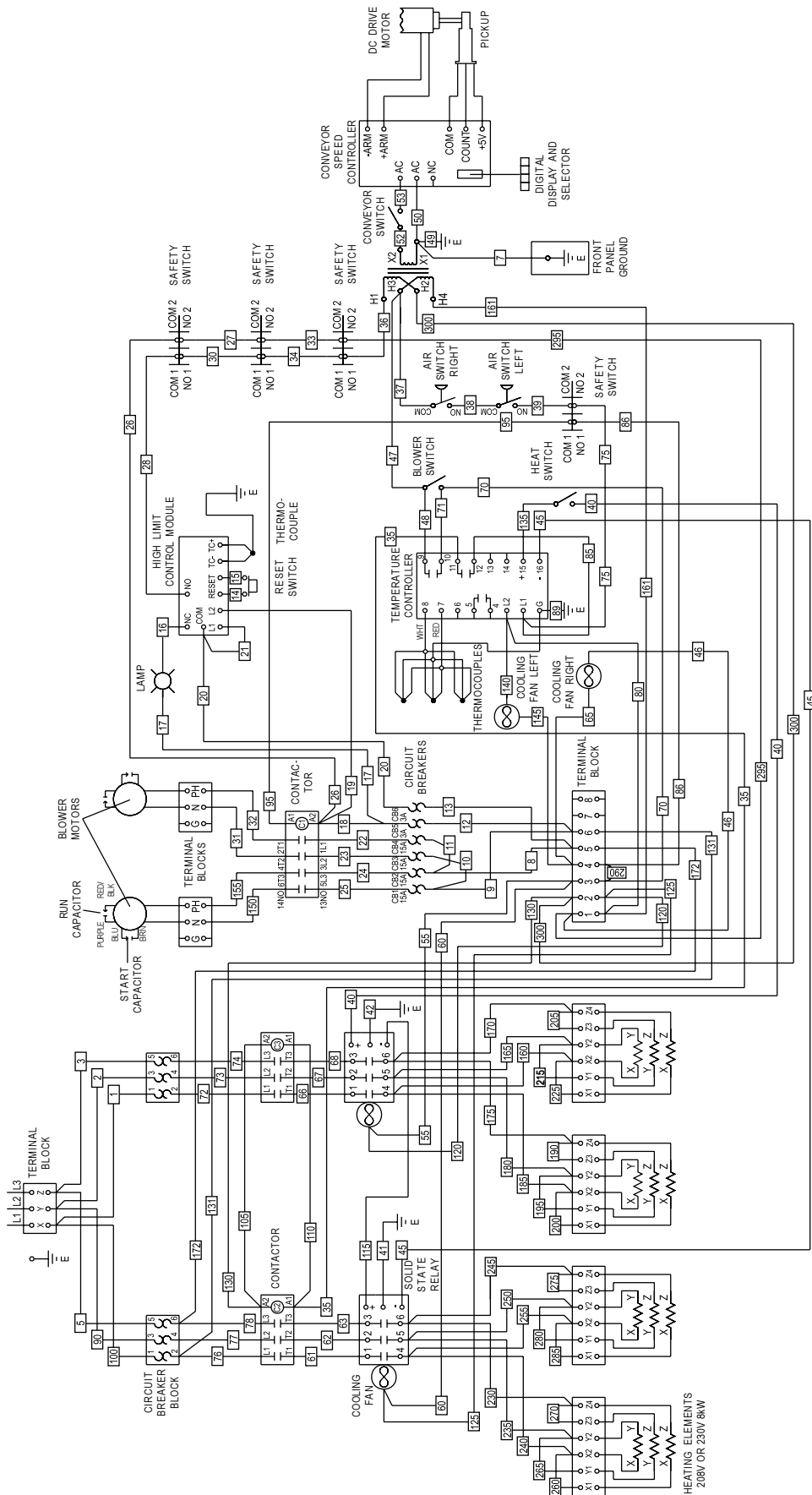
SECTION 5 - ELECTRICAL WIRING DIAGRAMS

Fig. 5-1
Wiring diagram, PS555G or PS570G Gas Oven, 208/240V, 50/60Hz, 1 Ph



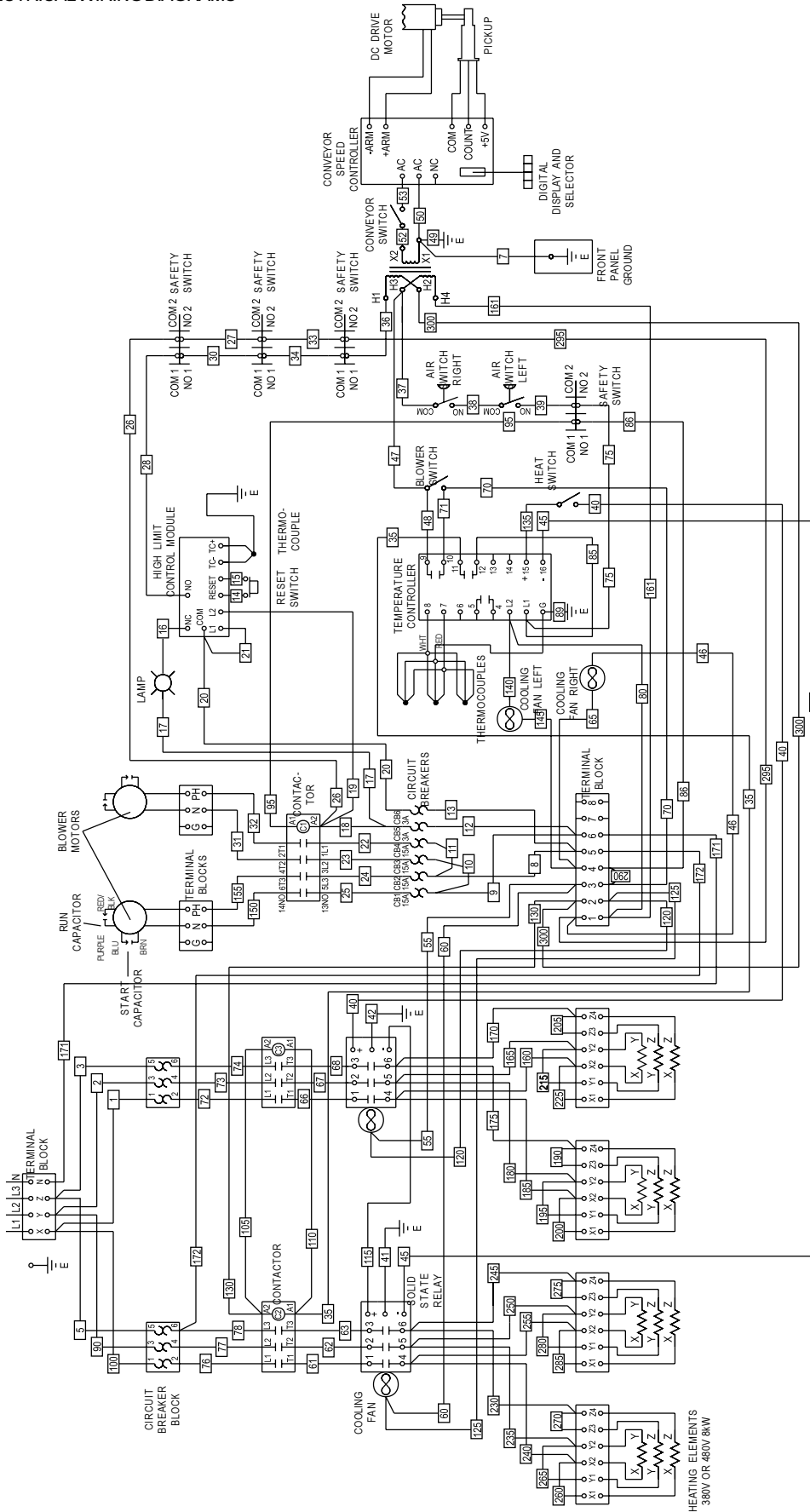
IMPORTANT
An electrical wiring diagram for the oven is also located inside the machinery compartment.

Fig. 5-2
Wiring diagram, PS555E Electric Oven, 208V or 240V, 50/60Hz, 3 Ph

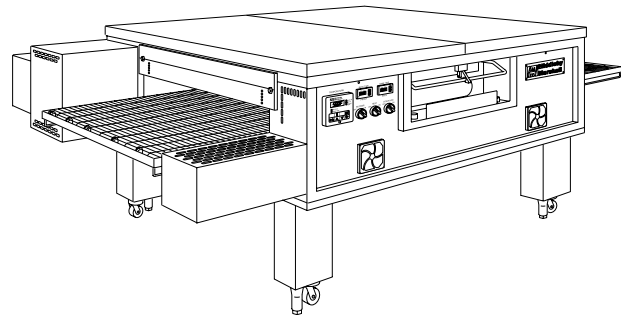
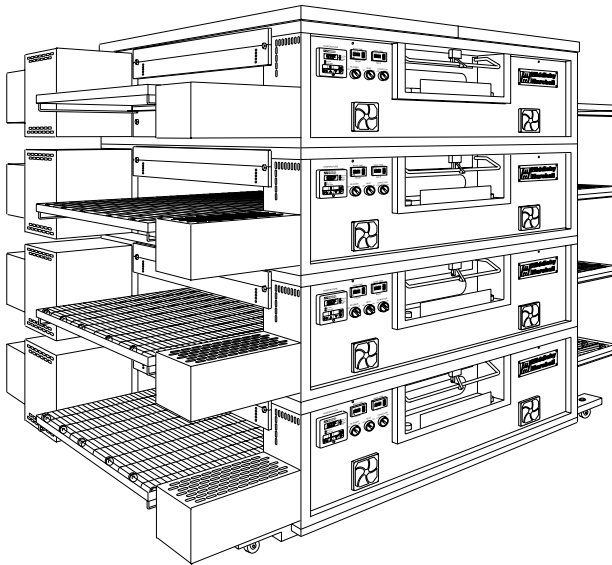


IMPORTANT
An electrical wiring diagram for the oven is also located inside the machinery compartment.

Fig. 5-3
Wiring diagram, PS555E Electric Oven, 380V or 480V, 50/60Hz, 3 Ph



IMPORTANT
An electrical wiring diagram for the oven is also located inside the machinery compartment.



ENGLISH
page 1

FRANÇAIS
page 25

ESPAÑOL
página 49

Fours électriques et à gaz, série PS500

Modèle :

- PS555G à gaz
- PS555E électrique
- PS570G à gaz

Combinaisons :

- Four unique
- Four double (superposition de deux éléments)
- Four triple (superposition de trois éléments)
- Fours quadruples (superposition de quatre éléments)

MANUEL D'INSTALLATION ET DE FONCTIONNEMENT

***pour fours destinés à l'exportation intérieure et
standard***

© 2001 Middleby Marshall, Inc.



**Middleby
Marshall®** est une marque déposée de Middleby Marshall, Inc. Tous droits réservés.

Middleby Cooking Systems Group • 1400 Toastmaster Drive • Elgin, IL 60120 • (847)741-3300 • Télécopieur (847)741-4406



AVIS :

Ce **manuel d'installation et de fonctionnement** doit être fourni à l'utilisateur. L'opérateur du four devrait être familier avec les commandes du four et son fonctionnement.

Ce manuel doit être placé près du four, être bien visible et facilement accessible.

Les fours peuvent être alimentés SOIT en gaz naturel, SOIT en gaz propane, comme l'indique la plaque de série. Si les normes locales et nationales le permettent, il est possible de convertir un four fonctionnant au gaz naturel en un four fonctionnant au gaz propane, et vice versa. Cette conversion requiert l'installation de la trousse appropriée de conversion du gaz Middleby Marshall par un technicien agréé.

Il est recommandé de se procurer un contrat d'entretien auprès d'un technicien agréé par Middleby Marshall.

AVERTISSEMENT

AFFICHEZ, DE MANIÈRE VISIBLE, LE NUMÉRO DE TÉLÉPHONE D'URGENCE DE VOTRE FOURNISSEUR DE GAZ LOCAL ET LES DIRECTIVES À SUIVRE EN CAS D'ODEUR DE GAZ.

Les directives à suivre en cas d'odeur de gaz sont disponibles auprès d'un fournisseur de gaz local. Si vous détectez une odeur de gaz, composez immédiatement le numéro d'urgence de votre fournisseur de gaz local. Le fournisseur a le personnel et l'équipement nécessaire pour corriger le problème.

POUR VOTRE SÉCURITÉ

N'entreposez pas ou n'utilisez pas d'essence, de substances produisant des vapeurs inflammables ou de liquides inflammables à proximité de cet appareil ou de tout autre appareil.

AVERTISSEMENT :

Une installation, un réglage, une modification, un entretien ou une maintenance inappropriés peuvent entraîner des dégâts matériels, des blessures corporelles graves, voire mortelles. Lisez les directives d'installation, de fonctionnement et d'entretien dans leur intégralité avant d'installer ou de réparer cet appareil.

IMPORTANT

Le schéma de câblage s'appliquant à ce four est situé à l'intérieur du compartiment des composants.

IMPORTANT

Il est de la responsabilité du client de signaler à la société de transport tout dommage apparent ou non apparent. Conservez tout le matériel d'expédition jusqu'à ce que vous soyez assuré que le matériel n'a pas subi d'avarie.

AVIS : VEUILLEZ CONTACTER UN TECHNICIEN AGRÉÉ PAR MIDDLEBY MARSHALL POUR L'ENTRETIEN ET LES RÉPARATIONS. UN RÉPERTOIRE DES CENTRES DE SERVICE AGRÉÉS EST FOURNI AVEC VOTRE FOUR.

AVIS : L'utilisation de pièces autres que les pièces fabriquées à l'usine de Middleby Marshall décharge le fabricant de toute obligation et de toute responsabilité inhérente à la garantie.

AVIS : Middleby Marshall (fabricant) se réserve le droit de modifier les spécifications en tout temps.

AVIS : La garantie de l'équipement n'est valide que si l'installation, la mise en marche, et la démonstration du four sont faites sous la surveillance d'un installateur qualifié de l'usine.

Conservez ce manuel pour référence ultérieure

Middleby Cooking Systems Group • 1400 Toastmaster Drive • Elgin, IL 60120 • USA • (847)741-3300 • Télécopieur (847)741-4406
Service d'assistance téléphonique 24 heures : 1-(800)-238-8444

www.middleby.com

TABLE DES MATIÈRES

	<i>page</i>		<i>page</i>
SECTION 1 - DESCRIPTION	28	VI. ALIMENTATION EN ÉLECTRICITÉ	34
I. UTILISATIONS DU FOUR	28	A. Renseignements supplémentaires - Fours à gaz	34
II. COMPOSANTS DU FOUR	28	B. Renseignements supplémentaires - Fours électriques	34
A. Moteur d'entraînement du transporteur	28	C. Raccordement	34
B. Plateaux à miettes	28	VII. ALIMENTATION EN GAZ	35
C. Butée d'extrémité du transporteur	28	A. Recommandations de plomberie brute pour l'alimentation en gaz	35
D. Butée arrière du transporteur	28	B. Raccordement	36
E. Transporteur	28	C. Conversion du gaz	36
F. Panneaux latéraux	28	SECTION 3 - FONCTIONNEMENT	37
G. Gardes	28	I. EMBLACEMENT ET DESCRIPTION DES COMMANDES	37
H. Fenêtre	28	A. Bouton de commande BLOWER (soufflerie) (☉)	37
I. Panneau de service du compartiment des composants	28	B. Bouton de commande HEAT (chaleur) (☼)	37
J. Plaque de série	28	C. Bouton de commande CONVEYOR (transporteur) (☞)	37
K. Tableau de commande	28	D. Régulateur de vitesse de transporteur	37
L. Brûleur à gaz ou éléments chauffants	28	E. Régulateur de température numérique	37
M. Souffleries	28	F. Contacteur de sécurité du panneau de service du compartiment des composants	37
N. Conduits d'air	28	II. FONCTIONNEMENT NORMAL, PAS-À-PAS	38
III. SPÉCIFICATIONS DU FOUR	28	A. Procédures quotidiennes de mise en marche	38
A. Dimensions	28	B. Procédures quotidiennes de mise en arrêt	38
B. Spécifications générales	28	III. CONSULTATION RAPIDE : RÉGULATEUR DE TEMPÉRATURE NUMÉRIQUE	39
C. Spécifications électriques pour les fours électriques PS555E	28	IV. CONSULTATION RAPIDE : RÉOLUTION DE PROBLÈMES	40
D. Spécifications électriques pour les fours à gaz PS555G et PS570G	29	SECTION 4 - ENTRETIEN	41
E. Spécifications d'orifice et de pression de gaz pour les fours à gaz PS555G et PS570G	29	I. ENTRETIEN - QUOTIDIEN	41
SECTION 2 - INSTALLATION	29	II. ENTRETIEN - MENSUEL	42
I. TROUSSE DE PLAQUE DE POSE	30	III. ENTRETIEN - TRIMESTRIEL	43
II. TROUSSE D'INSTALLATION	31	IV. ENTRETIEN - SEMESTRIEL	44
III. SYSTÈME DE VENTILATION	31	V. TROUSSE DE PIÈCES DE RECHANGE ESSENTIELLES	45
A. Exigences	31	SECTION 5 - SCHÉMAS DE CÂBLAGE	46
B. Recommandations	31	I. SCHÉMA DE CÂBLAGE, FOURS À GAZ PS555G OU PS570G, 208/240 V, 50/60 Hz, 1 Ph	46
C. Autres considérations pour la ventilation	31	II. SCHÉMA DE CÂBLAGE, FOURS ÉLECTRIQUES PS555E, 208/240 V, 50/60 Hz, 3 Ph	47
IV. ASSEMBLAGE	32	III. SCHÉMA DE CÂBLAGE, FOURS ÉLECTRIQUES PS555E, 380/480 V, 50/60 Hz, 3 Ph	48
A. Plaque de pose, pieds, roulettes et superposition	32		
B. Installation du câble de retenue	32		
C. Installation du transporteur	32		
V. ASSEMBLAGE FINAL	34		

SECTION 1 - DESCRIPTION

I. UTILISATIONS DU FOUR

Les fours de série PS500 peuvent être utilisés pour faire cuire une grande variété de produits alimentaires, tels que la pizza, les produits similaires à la pizza, les biscuits, les sandwiches et autres.

II. COMPOSANTS DU FOUR - Figure 1-1.

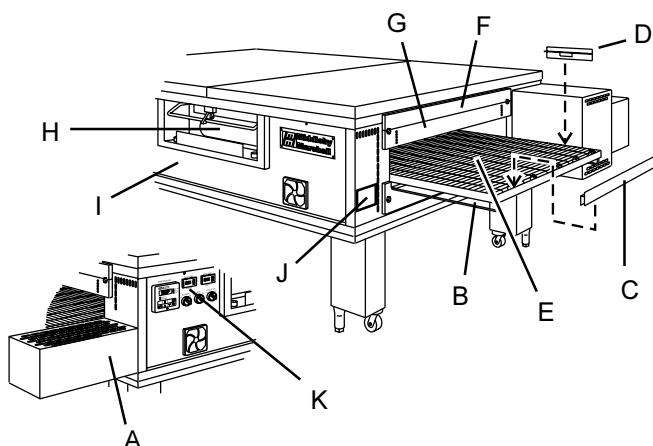
- A. Moteur d'entraînement du transporteur :** Met le transporteur en mouvement.
- B. Plateaux à miettes :** Reçoit les miettes et les autres aliments qui passent à travers la bande transporteuse du transporteur. Un plateau à miettes se trouve à chaque extrémité du transporteur.
- C.D. Butée d'extrémité et butée arrière du transporteur :** Empêchent les aliments de tomber de l'extrémité ou de l'arrière du transporteur.
- E. Transporteur :** Fait passer les aliments dans le four.
- F. Panneaux latéraux :** Permettent d'avoir accès à l'intérieur du four.
- G. Gardes :** Peuvent être ajustées à différentes hauteurs pour prévenir la perte de chaleur.
- H. Fenêtre :** Permet à l'utilisateur d'avoir accès aux aliments qui sont dans la chambre de cuisson.
- I. Panneau de service du compartiment des composants :** Permet d'avoir accès aux composants intérieurs et de commande du four. Ce compartiment ne contient pas de pièce pouvant être entretenue ou réparée par l'utilisateur.
- J. Plaque de série :** Fournit les spécifications du four relatives à l'installation et au fonctionnement. Reportez-vous à la rubrique Installation de la section 2, pour obtenir plus de détails.

- K. Tableau de commande :** Emplacement des commandes de fonctionnement du four. Reportez-vous à la rubrique Fonctionnement de la section 3 pour obtenir plus de détails.

Non illustrés :

- L. Brûleur à gaz (fours à gaz) ou éléments chauffants (fours électriques) :** Chauffe l'air qui est ensuite projeté vers les conduits d'air par les souffleries.
- M. Souffleries :** Projettent de l'air chaud du brûleur ou des éléments chauffants aux conduits d'air.
- N. Conduits d'air :** Projettent de l'air chaud sur les aliments.

Figure 1-1 - Composants du four



FRANÇAIS

III. SPÉCIFICATIONS DU FOUR

Tableau 1-1 : Dimensions

	Four unique	Four double	Four triple	Four quadruple
Hauteur hors-tout	46-1/8" (1.172 mm)	60-1/8" (1.527 mm)	62-1/2" (1.588 mm)	78" (1.981 mm)
Profondeur hors-tout	63-3/8" (1.610 mm)	63-3/8" (1.610 mm)	63-3/8" (1.610 mm)	63-3/8" (1.610 mm)
Longueur hors-tout, PS555G et PS555E	91" (2.311mm)	91" (2.311mm)	91" (2.311mm)	91" (2.311mm)
Longueur hors-tout, PS570G	106" (2.692 mm)	106" (2.692 mm)	106" (2.692 mm)	106" (2.692 mm)
Largeur du transporteur	32" (813 mm) ou 2x15" (381 mm)	32" (813 mm) ou 2x15" (381 mm)	32" (813 mm) ou 2x15" (381 mm)	32" (813 mm) ou 2x15" (381 mm)
Dégagements minimums recommandés				
De l'arrière du four (inc. les protecteurs arrière) au mur	6"(152mm)	6"(152mm)	6"(152mm)	6"(152mm)
De l'allonge du transporteur au mur (deux côtés)	0"(0mm)	0"(0mm)	0"(0mm)	0"(0mm)

Tableau 1-2 : Spécifications générales

	PS555G	PS555E	PS570G
Poids	1175 lbs. (533kg)	1175 lbs. (533kg)	1400 lbs. (634kg)
Débit calorifique nominal	150.000 BTU (37.800 kcal, 44 kW/h)	32 kW	170.000 BTU (42.840 kcal, 50 kW/h)
Température maximale de fonctionnement	< ----- 550°F / 288°C ----- >		
Souffleries à air	2 souffleries à 1400 ft ³ /min (39,6 m ³ /min) à 2050 tr/min, 0,40" (1,0 cm) pression statique d'eau		
Vitesse d'injection d'air (moy.)	< ----- 2600 pi/min (1320 cm/sec) (moy.) ----- >		
Temps de préchauffage	< ----- 15 minutes ----- >		

Tableau 1-3 : Spécifications électriques pour les fours électriques PS555E

Tension soufflerie principale	Tension circuit de commande	Phase	Fréq.	Appel de courant (par ligne)				Calibre kW	Pôles	Câblage
				L1	L2	L3	N			
208V	Régulateur de vitesse du transporteur, 120V (avec transformateur); tout autre circuit de commande, 208V	3Ph	5060Hz	97.4A	88.8A	97.4A	-	32W	3 pôles	4 fils (3 chauds, 1 masse)
220-240V	Régulateur de vitesse du transporteur, 120V (avec transformateur); tout autre circuit de commande, 220-240V	3Ph	5060Hz	83.0-90.0A	75.0-86.0A	83.0-90.0A	-	29.3-34.8kW	3 pôles	4 fils (3 chauds, 1 masse)
480V	Régulateur de vitesse du transporteur, 120V (avec transformateur); tout autre circuit de commande, 240V	3Ph	5060Hz	38.5A	38.5A	47.7A	92A	32W	4 pôles	5 fils (3 chauds, 1 neut, 1 masse)

Tableau 1-4 : Spécifications électriques pour les fours à gaz PS555G et PS570G

Tension soufflerie principale	Tension circuit de commande	Phase	Fréq.	Appel de courant	Pôles	Câblage
208à240V	Régulateur de vitesse du transporteur, 120V (avec transformateur); tout autre circuit de commande, 208/240V	1Ph	50/60Hz	12A	2pôles	3 fils (2 chauds, 1 masse)

Tableau 1-5 : Spécifications d'orifice et de pression de gaz pour les fours à gaz PS555G et PS570G

Type de gaz	D.I. de l'orifice principal PS555G	D.I. de l'orifice principal PS570G	D.I. de l'orifice du pilote	Pression de canalisation	Pression d'admission à l'orifice
Naturel	0,228"(5,79mm)	0,250"(6,35mm)	0,028"(0,71mm)	6-12"C.E. (14,9-29,9mbar)	3.5"C.E. (8,7mbar)
Propane	0,141"(3,58mm)	0,152"(3,86mm)	0,018"(0,46mm)	11-14"C.E. (27,4-34,9mbar)	10"C.E. (24,9mbar)

IMPORTANT - Des renseignements supplémentaires sur l'électricité se trouvent sur la plaque de série du four et sur le schéma de câblage situé à l'intérieur du compartiment des composants.

SECTION 2 - INSTALLATION

AVERTISSEMENT - Après des conversions, réajustements, travaux d'entretien sur le four :

- Effectuez un essai d'étanchéité du gaz.
- Vérifiez si l'alimentation en gaz et la combustion sont adéquates.
- Vérifiez si l'approvisionnement en air est adéquat, principalement pour la soufflerie de brûleur.
- Assurez-vous que le système de ventilation est en fonctionnement.

AVERTISSEMENT - Dégagez le site d'exploitation de l'appareil de tout produit combustible.

AVERTISSEMENT - Le four doit être installé sur un revêtement de sol régulier et ininflammable et tout mur adjacent doit être ininflammable. Les dégagements minimum recommandés sont spécifiés dans la section *Description* de ce manuel.

AVERTISSEMENT - N'obstruez pas le débit de l'air de combustion ou de ventilation en provenance du four ou en direction du four. Il ne doit pas y avoir d'obstructions autour ou en dessous du four. Toute modification de constructions dans la zone où se trouve le four ne peut pas affecter l'approvisionnement d'air au four.

ATTENTION : Pour réduire le risque d'incendies, l'appareil doit être installé sur des sols incombustibles constitués d'un revêtement de sol et d'une surface de finition incombustibles et ne possédant pas de matériau combustible contre leur sous-face, ou sur des dalles ou des arcs incombustibles ne possédant pas de matériau combustible contre leur sous-face. Une telle structure doit s'étendre à au moins 304,8 mm (12 po) au-delà de l'équipement et ce de tous côtés.

ATTENTION - Pour plus de détails concernant l'installation, contactez votre technicien local agréé.

REMARQUE - Le dégagement doit être suffisant entre le four et les structures combustibles. Il doit également permettre l'entretien et le fonctionnement.

REMARQUE - Le schéma de câblage s'appliquant à ce four est situé à l'intérieur du compartiment des composants.

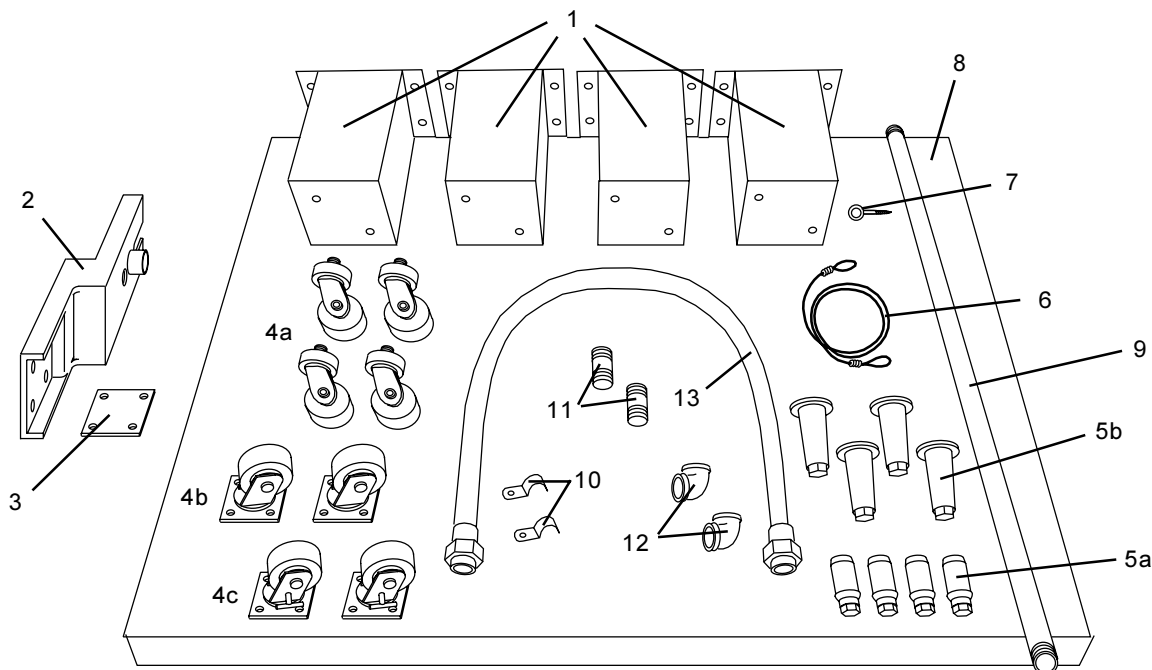
REMARQUE : Tous les aspects touchant à l'installation du four, notamment l'emplacement, les branchements au secteur et les exigences de ventilation doivent être conformes aux normes locales et nationales en vigueur. Ces normes remplacent les exigences et les directives fournies dans ce manuel.

REMARQUE : Aux États-Unis, l'installation du four doit être conforme aux normes locales. En l'absence de telles normes, les installations de fours à gaz doivent être conformes au « National Fuel Gas Code », ANSI Z223.1. Lors de l'installation, le four doit être mis à la terre selon les normes locales ou, en l'absence de telles normes, selon le « National Electrical Code » (NEC) ou ANSI/NFPA70.

REMARQUE : Au Canada, l'installation du four doit être conforme aux normes locales. En l'absence de telles normes, les installations de fours à gaz doivent être conformes au « Natural Gas Installation Code », CAN/CGA-B149.1 ou au « Propane Gas Installation Code », CAN/CGA-B149.2, selon le cas. Lors de l'installation, le four doit être mis à la terre selon les normes locales ou, en l'absence de telles normes, selon le « Canadian Electrical Code » CSA, C22.2.

REMARQUE : En Australie, l'installation du four doit être conforme à toutes les exigences de l'autorité statutaire appropriée. Les installations de fours à gaz doivent se conformer au « AGA Code » AG601.

Fig. 2-1 - Trousse de plaque de pose



I. TROUSSE DE PLAQUE DE POSE - voir Figure 2-1

REMARQUE : Une trousse de plaque de pose est nécessaire pour l'installation de chaque four simple, double, triple, ou quadruple.

Article	Quantité						Pièce N°	Description
	Four simple avec pieds ajustables de 19"	Four double avec pieds ajustables de 10"	Four double avec pieds ajustables de 15"	Four triple avec pieds ajustables de 4"	Four triple sans pieds ajustables	Four quadruple avec pattes transversales		
1a	4	--	--	--	--	--	37210-0060	Pied ajustable, 19" (483 mm)
1b	--	4	--	--	--	--	37210-0082	Pied ajustable, 10" (254 mm)
1c	--	--	4	--	--	--	37210-0057	Pied ajustable, 15" (381 mm)
1d	--	--	--	4	--	--	39684	Pied ajustable, 4" (102 mm)
2	--	--	--	--	--	4	45209	Patte transversale
3	--	--	--	--	--	4	45205	Entretoise, roulette - Pour usage avec pattes transversales seulement
4a	4	4	4	4	4	--	37115-0102	Roulette pivotante (avec tige)
4b	--	--	--	--	--	2	45357	Roulette pivotante (avec plaque plate)
4c	--	--	--	--	--	2	45664	Roulette pivotante (avec plaque plate et frein)
5a	4	4	4	4	4	--	22450-0028	Pied ajustable, standard
5b	--	--	--	--	--	4	45206	Pied ajustable, fours quadruples
6	1	1	1	1	1	1	22450-0253	Câble de retenue, 60" (1524 mm)
7	1	1	1	1	1	1	21392-0005	Anneau/Tire-fond
8	1	1	1	1	1	1	41643	Plaque de pose
--	2	2	2	2	2	2	41582	Couvercle supérieur (droit ou gauche)
--	8	8	8	8	8	8	21256-0069	Vis, sl trus hd #10-32 X 1-1/4"
--	16	16	16	16	--	8	21216-0018	Vis hexagonale de 1/2"-13 x 1-1/4"
--	16	16	16	16	--	8	21416-0003	Rondelle plate, 1/2"
--	16	16	16	16	--	8	21426-0004	Rondelle d'arrêt, 1/2"
--	--	--	--	--	--	16	A27727	Vis hexagonale 3/8"-16 X 1"
--	--	--	--	--	--	32	A21924	Rondelle plate, 3/8"
--	--	--	--	--	--	16	21172-0004	Contre-écrou hexagonal 3/8"-16

COMPOSANTS SUPPLÉMENTAIRES POUR LES FOURS À GAZ :

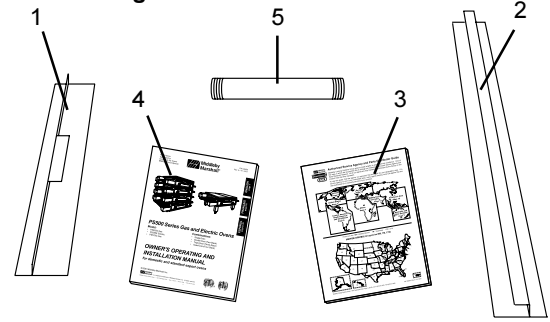
9	1	1	1	1	1	1	33120-0056	Tuyau de gaz, 1-1/4" dia. X 54" (1372 mm) L
10	2	2	2	2	2	2	27271-0004	Collier de serrage, 1-1/2"
11	2	2	2	2	2	2	33120-0055	Embout, 1-14" dia. x 3" (76 mm) L, NPT
12	2	2	2	2	2	2	23122-0007	Coude de 90°, 1-1/4" dia.
13	1	1	1	1	1	1	22361-0003	Flexible de gaz, 1-1/4" dia. X 72" (1.829mm) L
--	2	2	2	2	2	2	21292-0001	Vis hexagonale à rondelle #10-16 X 3/4"

II. TROUSSE D'INSTALLATION - Figure 2-2

REMARQUE : une trousse d'installation est requise pour chaque cavité de four.

Article	Qté	Pièce N°	Description
1	1	35900-0148	Butée arrière du transporteur
2	1	35000-1103	Butée d'extrémité du transporteur
3	1	46450	Manuel d'installation et de fonctionnement
4	1	1002040	Répertoire des centres de service agréés
COMPOSANTS SUPPLÉMENTAIRES POUR LES FOURS À GAZ :			
5	1	33120-0053	Embout de tuyau de gaz

Fig. 2-2 - Trousse d'installation



III. SYSTÈME DE VENTILATION

IMPORTANT

Lorsque les normes nationales ou locales exigent l'installation d'équipement d'extinction des incendies ou d'équipement supplémentaire, n'installez PAS l'équipement directement sur le four.

L'INSTALLATION DE TEL ÉQUIPEMENT SUR LE FOUR PEUT :

- ANNULER LES HOMOLOGATIONS DES ORGANISMES
- RESTREINDRE L'ACCÈS AUX SERVICES
- MENER À UNE AUGMENTATION DES DÉPENSES D'ENTRETIEN POUR L'USAGER

A. Exigences

ATTENTION

Les installations de fours à gaz **NÉCESSITENT** un système de ventilation à commande mécanique avec détection d'air de ventilation électrique.

L'utilisation d'un système de ventilation à commande mécanique est **FORTEMENT RECOMMANDÉE** dans le cas de l'installation d'un four électrique.

LA VENTILATION ADÉQUATE DU FOUR EST LA RESPONSABILITÉ DU PROPRIÉTAIRE.

B. Recommandations

NOTEZ QUE LES DIMENSIONS DE LA HOTTE INDICUÉES À LA FIGURE 2-3 NE SONT QUE DES RECOMMANDATIONS. LORS DE L'INSTALLATION D'UN SYSTÈME DE VENTILATION,

LES NORMES LOCALES, NATIONALES ET INTERNATIONALES DOIVENT ÊTRE RESPECTÉES. TOUTES LES NORMES LOCALES ET NATIONALES EN VIGUEUR REMPLACENT LES RECOMMANDATIONS CONTENUES DANS CE MANUEL.

Le débit d'air s'échappant du système de ventilation peut varier selon la configuration du four et la conception de la hotte. Consultez le fabricant de la hotte ou un technicien en ventilation pour connaître ces spécifications.

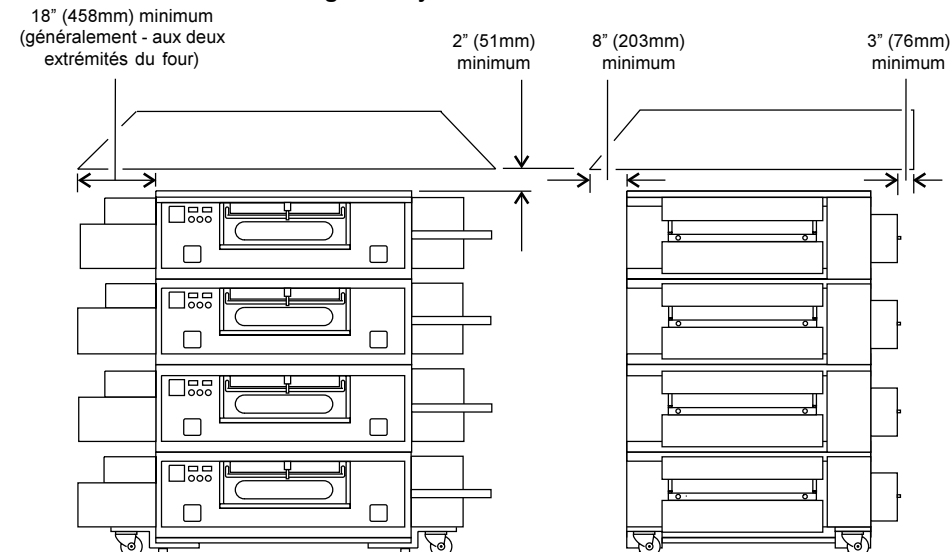
Pour éviter de créer une pression négative dans la cuisine, l'air expulsé doit être remplacé. La chaleur excessive causée par la pression négative dans la cuisine peut causer autant de problèmes pour les composants du four que l'absence de ventilation. L'utilisation du système de chauffage, de ventilation et de climatisation (CVCA) est la meilleure façon de ventiler la pièce. Il est alors possible de régler la température de l'air en fonction de la saison. Il est également possible d'aérer la pièce depuis l'extérieur du bâtiment, mais les variations extrêmes de températures froides ou chaudes selon les saisons peuvent être nuisible.

REMARQUE : L'air de retour en provenance du système à commande mécanique **ne doit pas** être dirigé dans l'ouverture de la chambre de cuisson. Le rendement du four serait affecté.

C. Autres considérations pour la ventilation

- Le recours à un technicien ou à un spécialiste en ventilation peut s'avérer nécessaire dans le cas d'emplacements, de situations ou de problèmes particuliers.
- Une ventilation inadéquate peut affecter le rendement du four.
- Il est recommandé de faire vérifier le système de ventilation et les conduites aux intervalles spécifiés par le fabricant de hotte, le technicien ou le spécialiste CVCA.

Fig. 2-3 - Système de ventilation



IV. ASSEMBLAGE

A. Plaque de pose, pieds, roulettes et superposition

REMARQUE : Trousse de levage et de superposition en option (N/P 30580)

La trousse de levage et de superposition, N/P 30580, est disponible séparément. Cette trousse fournit un ensemble complet de levage, spécialement conçu pour superposer les cavités de fours de la série PS500. Cette trousse est livrée avec une cassette vidéo d'instructions.

1. Mettez les panneaux supérieurs en place sur la cavité de four du haut. Suivez les instructions fournies avec les panneaux supérieurs.
- 2a. *Installation des pieds/roulettes (standard) - Fours simples, fours doubles et fours triples avec pieds ajustables*
 - Installez un pied à chaque angle de la plaque de pose à l'aide de vis de 1/2"-13x1-1/4", de rondelles plates de 1/2", et de rondelles d'arrêt de 1/2". Reportez-vous à la Figure 2-4.
 - Installez un pied ajustable et une roulette dans les trous situés au bas du pied. Le pied ajustable doit être installé dans le trou EXTÉRIEUR (le plus proche de la face avant ou arrière du four). La roulette doit être installée dans le trou INTÉRIEUR.
- 2b. *Installation des pieds/roulettes - Fours triples sans pieds*
Installez un pied ajustable et une roulette dans les trous de 3/4" au dessous de la plaque de pose. Le pied ajustable doit être installé dans le trou EXTÉRIEUR (le plus proche de la face avant ou arrière du four). La roulette doit être installée dans le trou INTÉRIEUR. Reportez-vous à la Figure 2-5.
- 2c. *Installation des pieds/roulettes - Fours quadruples*
 - Installez une patte transversale à chaque angle de la plaque de pose à l'aide de vis de 1/2"-13x1-1/4", de rondelles plates de 1/2", et de rondelles d'arrêt de 1/2". Reportez-vous à la Figure 2-6.
 - Installez les entretoises et les roulettes sur les pattes transversales à l'aide de vis de 3/8"-16x1", de rondelles plates de 3/8" et des écrous de 3/8"-16 fournis dans la trousse d'installation. Les deux roulettes d'arrêt doivent être installées à l'avant du four.
 - Installez les pieds ajustables dans les découpes sur le dessous de l'ensemble des pattes transversales.
3. Installez la plaque de pose sur la cavité de four du bas. Vérifiez que l'anneau soudé à la plaque fait face à l'arrière du four.
4. Superposez les cavités de four. Si nécessaire, reportez-vous à la cassette vidéo d'instructions fournie avec la trousse de levage et de superposition (N/P 30580).

B. Installation du câble de retenue

Puisque le four est équipé de roulettes, un câble de retenue doit être installé pour limiter le mouvement de l'appareil sans dépendre du connecteur et du dispositif de débranchement rapide ou des tuyaux associés. Une extrémité du câble est ancrée à l'anneau sur la surface arrière de la plaque de pose du four, tandis que l'autre est ancrée au mur. Reportez-vous à la Figure 2-7.

Après avoir fixé le câble de retenue, mettez le four dans son emplacement définitif. Réglez les sections inférieures (hexagonales) des pieds afin que les roulettes ne touchent plus le sol. Pour les fours quadruples, verrouillez les deux roulettes avant.

C. Installation du transporteur

REMARQUE

Les transporteurs à bande transporteuse divisée ne peuvent être installés qu'à partir du côté du four contenant le moteur d'entraînement.

Les transporteurs à bande transporteuse simple peuvent être insérés de n'importe quel côté du four. Si le transporteur est installé à partir du côté du four sans le moteur d'entraînement, la roue d'entraînement doit être enlevée.

Figure 2-4 - Pieds et roulettes - Standard

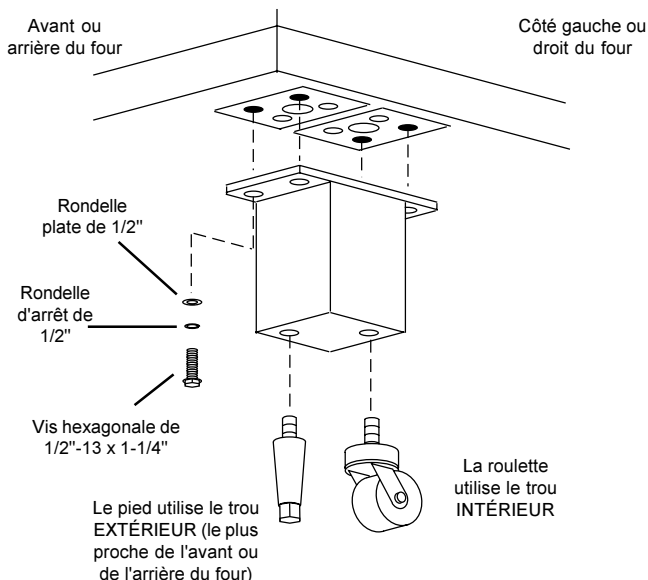


Figure 2-5 - Pieds et roulettes pour four triple sans pieds

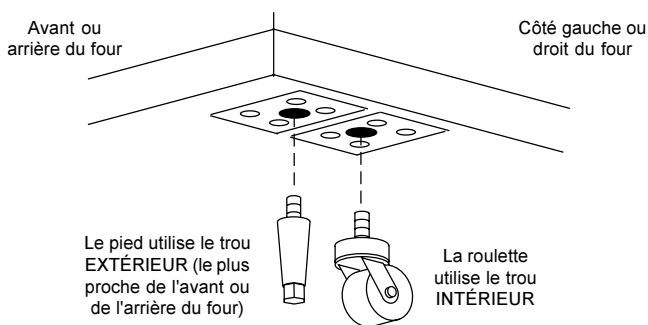
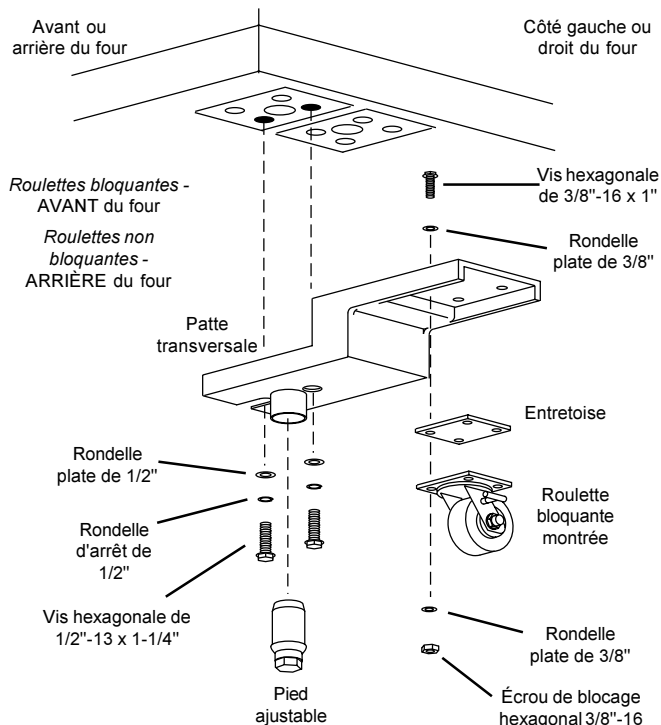


Figure 2-6 - Pieds et roulettes pour four quadruple



Au besoin, enlevez la roue d'entraînement en desserrant la vis de blocage sur le collier du transporteur (Figure 2-8). Puis retirez la roue d'entraînement.

1. Soulevez le transporteur et positionnez-le dans le four. Reportez-vous à la Figure 2-9.
2. Continuez à faire glisser le transporteur dans le four jusqu'à ce que le cadre dépasse de façon égale des deux côtés du four [environ 18" (457 mm)].
3. Vérifiez si les dispositifs de retenue situés au-dessous du cadre du transporteur sont fermement appuyés contre les panneaux latéraux (Figure 2-9).
4. Une fois le transporteur correctement positionné, vérifiez si la bande transporteuse bouge librement en la tirant avec les doigts sur une distance d'environ 2 à 3 pieds (60 à 90 cm). Le transporteur doit bouger librement.
5. Si la roue d'entraînement a été enlevée lors de l'installation du transporteur, réinstallez-la maintenant.
6. Installez la chaîne de transmission entre la roue d'entraînement du transporteur et celle du moteur. Pour installer la chaîne, il sera nécessaire de soulever légèrement le côté du mécanisme d'entraînement du transporteur.
7. Installez le couvercle du moteur d'entraînement du transporteur.
8. Vérifiez la tension de la bande transporteuse du transporteur (Figure 2-10). La bande transporteuse devrait pouvoir être soulevée de 3 à 4 po (75 à 100 mm). **NE SERREZ PAS TROP LA BANDE TRANSPORTEUSE.**

REMARQUE:

Au besoin, vous pouvez ajuster la tension de la bande transporteuse en tournant les vis de réglage du transporteur situées du côté de l'arbre porteur du transporteur (à droite). Reportez-vous à la Figure 2-10.

9. Au besoin, des mailles peuvent être ajoutées à la bande ou retirées pour obtenir le fléchissement correct de 3-4" (75-100 mm). Si des mailles sont retirées de la bande, cette dernière peut être rattachée au transporteur comme suit:
 - a. Les mailles de la bande transporteuse doivent être orientées comme le démontre la Figure 2-11.
 - b. La surface lisse de la bande transporteuse doit se trouver vers le HAUT.
 - c. Assemblez les mailles intérieures. Vérifiez si les mailles sont orientées comme le démontre la Figure 2-11.
 - d. Assemblez les mailles extérieures. Notez que les mailles extérieures ont un côté gauche et un côté droit. La maille de droite possède un crochet ouvert vous faisant face (Figure 2-11).
 - e. Vérifiez la liberté de mouvement de la bande transporteuse du transporteur en la tirant avec les doigts sur une distance d'environ 2 à 3 pieds (60 à 90 cm). Le transporteur doit bouger librement.
 - f. Revenez à l'étape 8, ci-dessus, pour vérifier de nouveau la tension de la chaîne.

Figure 2-10 - Vérification de la tension du transporteur

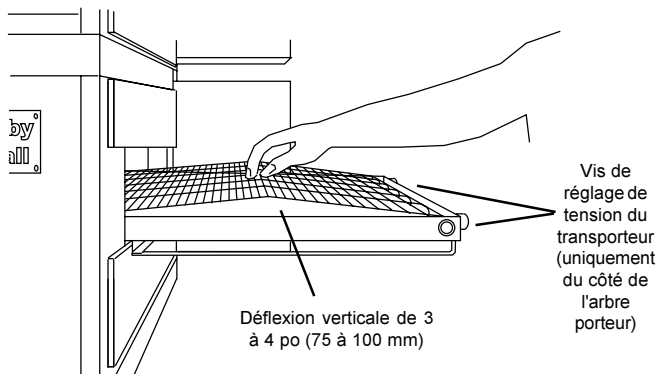


Figure 2-7 - Installation du câble de retenue

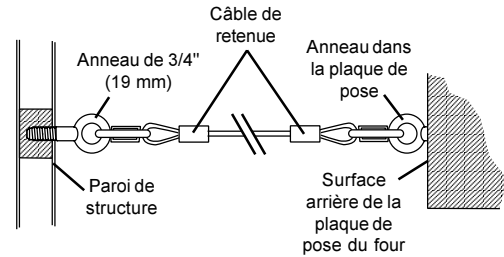


Figure 2-8 - Dépose de la roue d'entraînement du transporteur

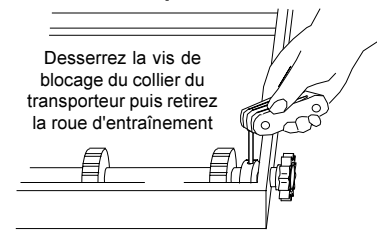


Figure 2-9 - Insertion du transporteur

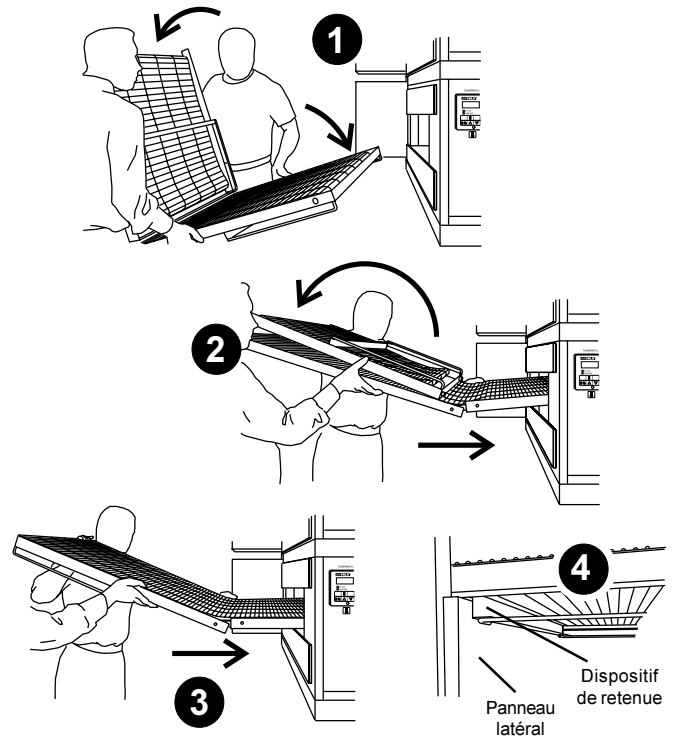
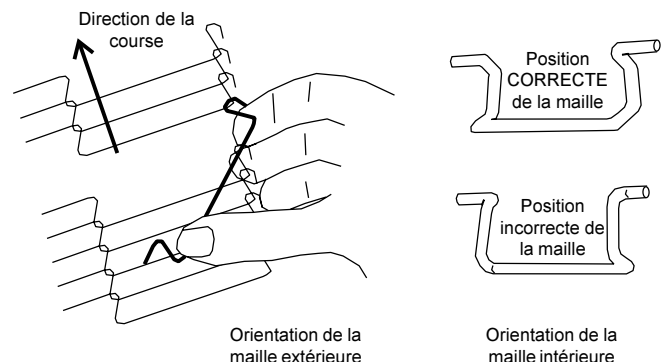


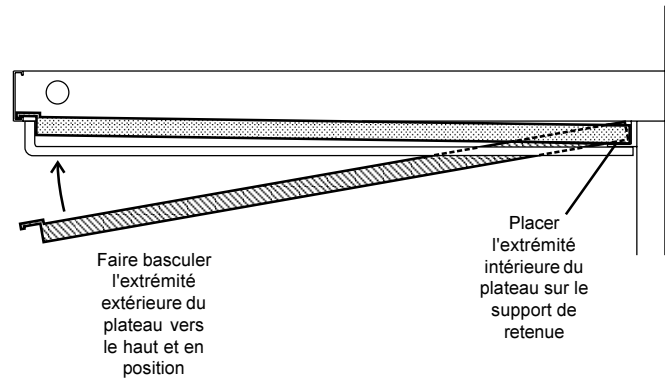
Figure 2-11 - Transporteur et orientation de la maille



V. ASSEMBLAGE FINAL

1. Installez les plateaux à miettes sous le transporteur comme le montre la Figure 2-12. Placez d'abord le bord intérieur du plateau sur le support de retenue (Figure 2-9). Faites ensuite basculer le bord extérieur du plateau vers le haut puis en place.
2. Appuyez vers le bas sur les butées extérieure et arrière du transporteur par-dessus le bord du cadre du transporteur. Reportez-vous à la Figure 1-1 (dans la section 1, [Description](#)).

Figure 2-12 - Plateaux à miettes



VI. ALIMENTATION EN ÉLECTRICITÉ



AVERTISSEMENT

En règle générale, le personnel du fournisseur agréé raccorde le système de ventilation et l'alimentation en électricité et en gaz, comme il a été convenu avec le consommateur. Une fois ces raccordements effectués, l'installateur agréé par l'usine peut procéder à la mise en marche initiale du four.

REMARQUE : Le système d'alimentation électrique doit être conforme aux exigences de l'autorité statutaire appropriée, telle que le « National Electrical Code » (NEC), ANS/NFPA70, (É.-U.); le « Canadian Electrical Code », CSA C22.2; le « Australian Code » AG601; ou toutes autres réglementations qui s'appliquent.

REMARQUE : Les raccords d'alimentation en électricité doivent être conformes à toutes les normes électriques nationales et locales.

Vérifiez la plaque de série du four avant d'effectuer quelque raccord électrique que ce soit. Les raccordements d'alimentation électrique doivent respecter les éléments d'information qui se trouvent sur la plaque de série du four. L'emplacement de la plaque de série est montré dans la Figure 1-1 (dans la section 1, [Description](#)).

Un sectionneur à fusibles ou un disjoncteur principal (fourni par le consommateur) **DOIT** être installé dans le circuit électrique de chaque cavité de four. Il est recommandé d'utiliser un disjoncteur/sectionneur verrouillable ou pouvant être plombé.

Les câbles d'alimentation doivent être en cuivre et de dimension recommandée. Reportez-vous au schéma de câblage à l'intérieur du compartiment des composants du four. Les spécifications électriques se trouvent sur la plaque de série du four et dans le tableau 1-4, [Spécifications électriques](#) (dans la section 1, [Description](#)).

Le four nécessite une mise à la terre à la vis de mise à la terre du four. Pour les fours à gaz, la vis de mise à la terre est située dans le boîtier de distribution électrique (voir Figure 2-13). Pour les fours électriques, la vis de mise à la terre est située à l'intérieur du compartiment latéral du four (voir Figure 2-14). Au besoin, demandez à l'électricien de fournir le câble de mise à la terre. **N'utilisez PAS le conduit de câblage ou d'autres tuyaux comme mises à la terre !**

A. Renseignements supplémentaires - Fours à gaz

Les câbles d'arrivée électrique sont passés dans un réducteur de tension, montré à la Figure 2-13. Les raccordements au secteur sont faits à l'intérieur du boîtier de distribution électrique. Les câbles d'alimentation sont alors connectés aux circuits du four par l'intermédiaire de coupe-circuits de sécurité situés à l'intérieur du compartiment des composants et de chaque compartiment de moteur de soufflerie. Ces coupe-circuits interrompent l'alimentation électrique du four lorsque le panneau d'accès au compartiment des composants est ouvert, OU lorsqu'un des protecteurs de soufflerie ou le protecteur arrière est retiré.

B. Renseignements supplémentaires - Fours électriques

Un orifice de 2" (51 mm) de diamètre dans la paroi arrière du compartiment des composants permet d'accéder aux raccords d'alimentation en électricité. Les connexions actuelles se font à la plaque à bornes située dans le compartiment latéral du four.

L'utilisation de câbles souples pour les conducteurs d'alimentation en électricité requiert un réducteur de tension de 2" (51 mm) (non inclus avec le four) pour permettre un accès sûr à la plaque à bornes.

C. Raccordement

Reportez-vous au schéma de câblage à l'intérieur du compartiment des composants du four pour déterminer les connexions appropriées pour les lignes d'alimentation électrique. Branchez l'alimentation comme le démontre le schéma de câblage.

ATTENTION

Les termes de la garantie du four requièrent que toutes les mises en service, conversions et travaux d'entretien soient exécutés par un technicien agréé par Middleby Marshall.

Figure 2-13 - Emplacement des raccords électriques pour les fours à gaz

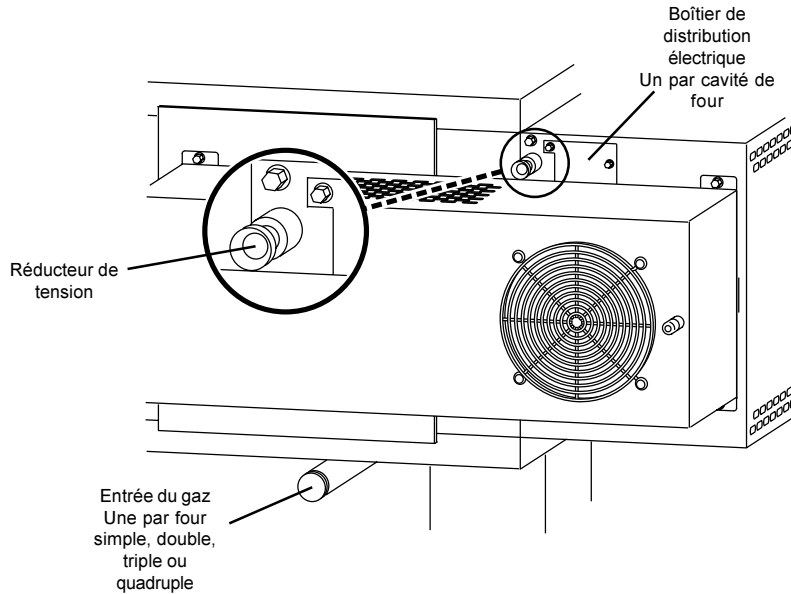
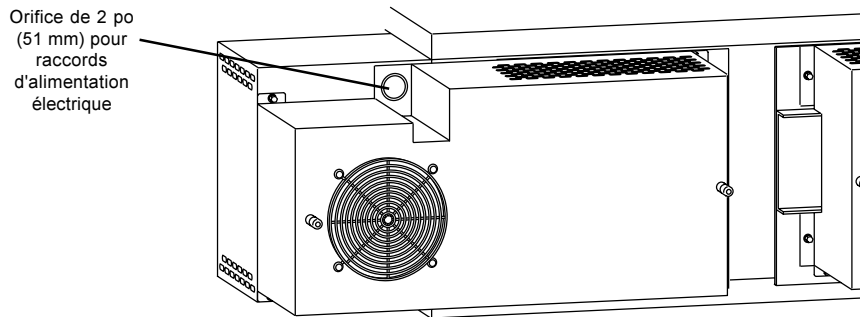


Figure 2-14 - Emplacement des raccords électriques pour les fours électriques



VII. ALIMENTATION EN GAZ

ATTENTION

DURANT L'ESSAI DE PRESSION, NOTEZ CE QUI SUIT :

1. Le four et son robinet de sectionnement doivent être débranchés de l'arrivée de gaz durant tout essai de pression si la pression d'essai est supérieure à ½ psi (3,45 kPa).
2. L'arrivée de gaz doit être coupée en fermant le robinet de sectionnement du four à la main durant tout essai de pression du système de tuyauterie d'alimentation en gaz si la pression d'essai est égale ou inférieure à ½ psi (3,45 kPa).
3. Si la pression d'arrivée est supérieure à 14 po C.E.

(35 mbar), un régulateur séparé DOIT être installé sur la canalisation EN AMONT du robinet de sectionnement individuel du four.

AVERTISSEMENT : Afin d'éviter d'endommager le régulateur de vanne de commande durant l'admission de gaz initiale, il est très important d'ouvrir le robinet de sectionnement à la main très lentement.

Après l'ouverture initiale de l'arrivée de gaz, le robinet de sectionnement manuel doit demeurer ouvert sauf lors de l'entretien de l'appareil ou des essais de pression (voir les étapes expliquées plus haut).

A. Recommandations de plomberie brute pour l'alimentation en gaz

Les spécifications de l'installation au gaz suivantes sont **FORTEMENT RECOMMANDÉES**. Toute déviation par rapport à ces recommandations peut influencer le rendement du four.

Compteur à gaz

- Une ou deux cavités de four : Compteur de 750 cfh
- Trois ou quatre cavités de four : Compteur de 1200 cfh

Canalisation de gaz

- CANALISATION PARTICULIÈRE du compteur à gaz au four
- Tuyau de 2-1/2" (63,5 mm) pour le gaz naturel
- Tuyau de 2" (50,8 mm) pour le propane
- Longueur maximum : 200' (61 m). Un coude de 90° correspond à un tuyau de 7 pi (2,13 m) de long.

SECTION 2 - INSTALLATION

B. Raccordement

Vérifiez les exigences du four en matière d'alimentation en gaz avant d'effectuer le raccordement. Ces exigences sont énumérées sur la plaque de série du four et dans le tableau 1-3, Spécifications des orifices de gaz et de pression (dans la section 1, Description).

Consultez la plaque de série pour déterminer le type de gaz (propane ou naturel) qui sera utilisé pour alimenter le four.

Avant de raccorder la canalisation de gaz, reportez-vous aux directives comprises avec le tuyau à gaz (dans la trousse d'installation). Une méthode de raccordement de la canalisation de gaz est illustrée à la Figure 2-15; cependant, il est obligatoire de se conformer aux normes et aux règlements en vigueur.

Les relevés relatifs à la pression d'admission de gaz, à la pression de gaz régulée et à la pression de gaz du pilote peuvent être pris à l'aide d'un tube manomètre en U aux points de prise de pression illustrés à la Figure 2-16.

REMARQUE

L'installation doit être conforme aux normes locales ou, en l'absence de telles normes, au « National Fuel Gas Code », ANSI Z223.1- édition la plus récente.

En Australie, l'installation doit se conformer au « AGA Code » AG601 et à toutes les exigences de l'autorité statutaire appropriée.

CANADA :

Norme d'installation du gaz naturel CAN/CGA-B 149.1

Norme d'installation du gaz propane CAN/CGA-B 149.2

Il existe certaines exigences de sécurité pour l'installation de fours à gaz; reportez-vous au début de la section 2 pour une liste des normes d'installation. Comme le four est muni de roulettes, le raccord de la canalisation de gaz doit se faire à l'aide d'un connecteur conforme au « Standard for Connectors for Movable Gas Appliances », ANSI Z21.69 (aux É.-U.) ou, le cas échéant, au « Standard for Connectors for Movable Gas Appliances »,

CAN/CGA-6.16 (au Canada). Il doit également comporter un dispositif de débranchement rapide conforme aux normes du « Standard for Quick-Disconnect Devices for Use With Gas Fuel », ANSI Z21.41 (aux É.-U.) ou, le cas échéant, au « Quick-Disconnect Devices for Use With Gas Fuel », CAN1-6.9 (au Canada).

C. Conversion du gaz

Lorsque les normes locales et nationales le permettent, il est possible de convertir le four pour qu'il soit en mesure d'utiliser le gaz propane au lieu du gaz naturel, et vice versa. Utilisez la trousse de conversion de gaz de Middleby Marshall qui convient au modèle du four.

ATTENTION

Les termes de la garantie du four requièrent que toutes les mises en service, conversions et travaux d'entretien soient exécutés par un technicien agréé par Middleby Marshall.

Figure 2-15 - Installation du tuyau à gaz flexible

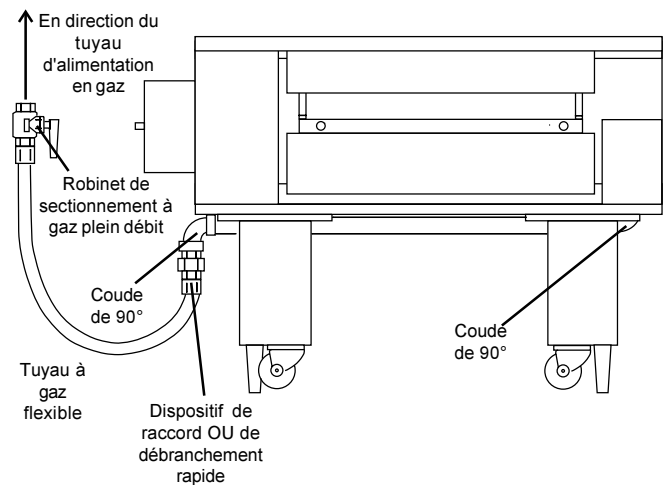
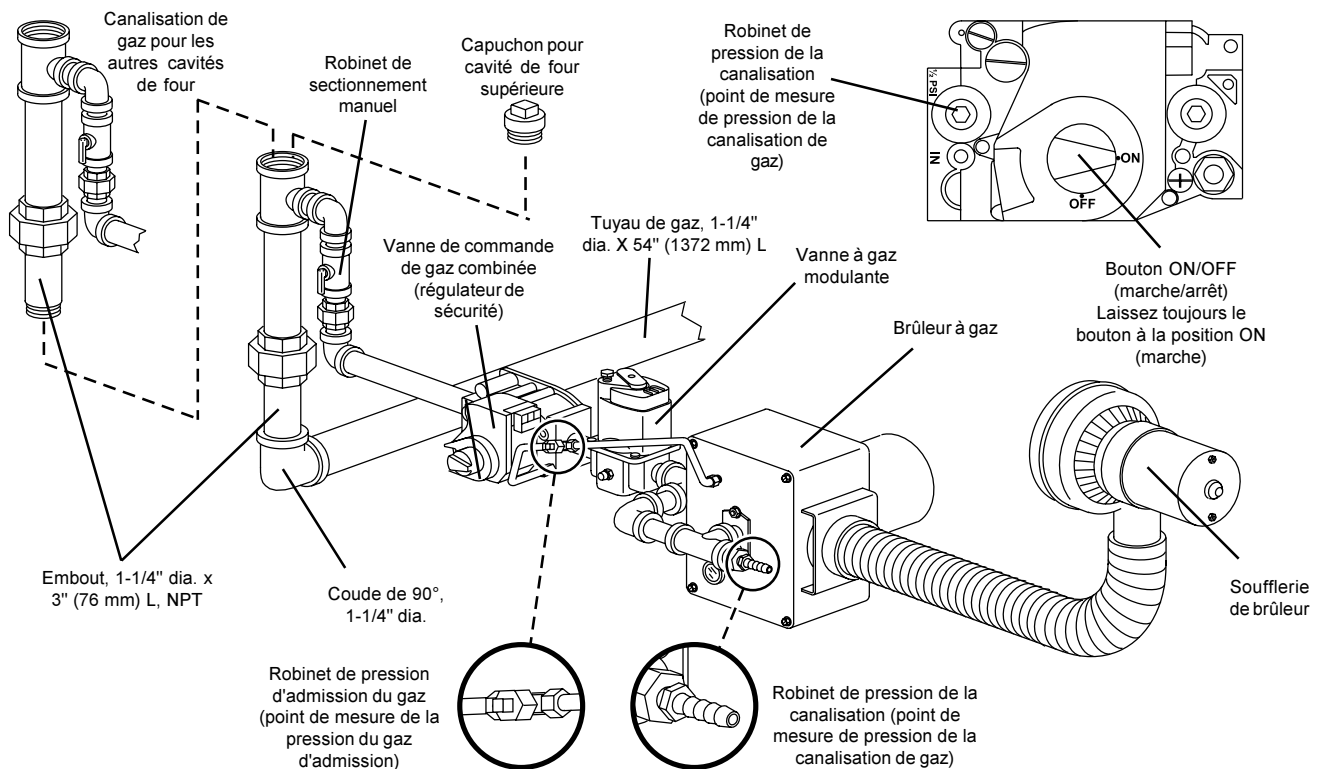


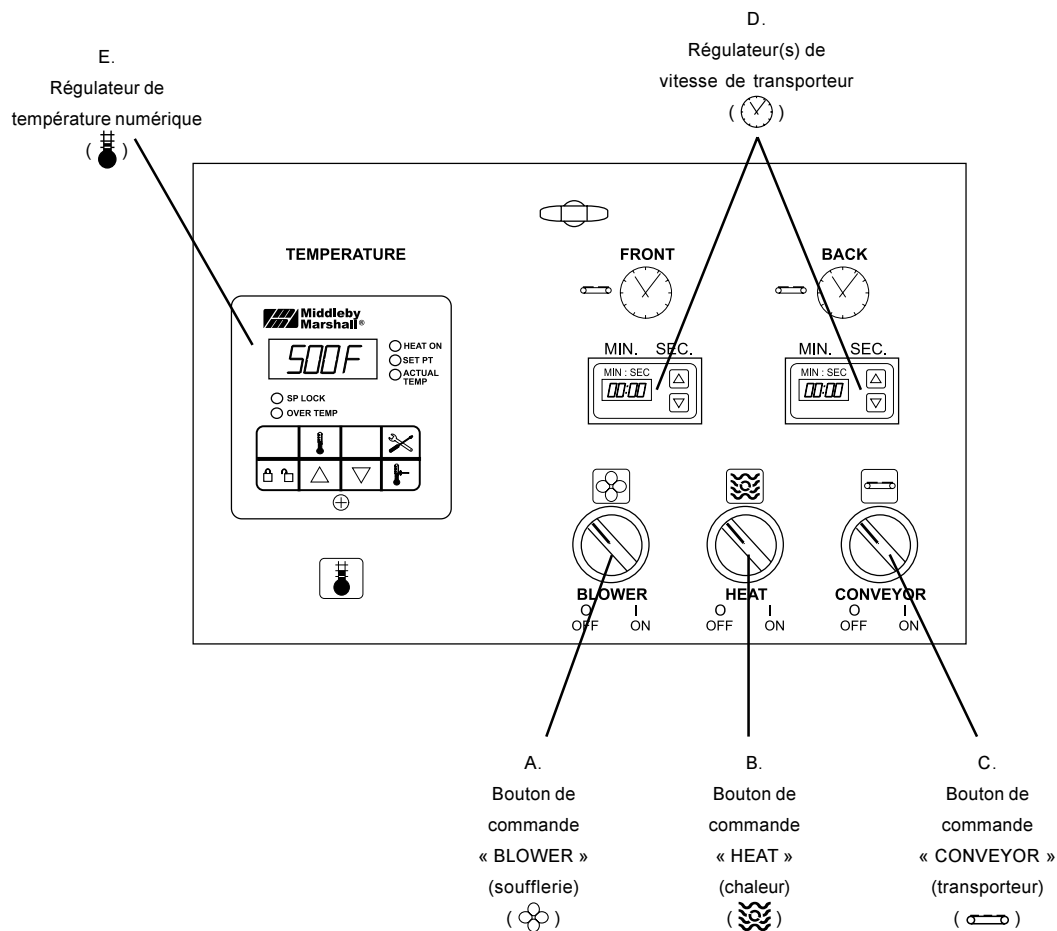
Figure 2-16 - Assemblage du brûleur à gaz et de la tuyauterie

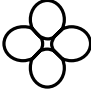






SECTION 3 - FONCTIONNEMENT

I. EMPLACEMENT ET DESCRIPTION DES COMMANDES

Fig. 3-1 - Tableau de commande



- A.**  **Bouton de commande « BLOWER » (soufflerie) :** Met les souffleries et les ventilateurs de refroidissement en fonction ou hors fonction. La commande « HEAT » (chaleur) ne fonctionne que si le bouton de commande « BLOWER » (soufflerie) est à la position « ON ».
- B.**  **Bouton de commande « HEAT » (chaleur) :** Permet au brûleur ou aux éléments chauffants, selon le modèle de four, de devenir actifs. L'activation est déterminée par les réglages du régulateur de température numérique.
- C.**  **Bouton de commande « CONVEYOR » (transporteur) :** Met le moteur d'entraînement du transporteur en fonction ou hors fonction.
- D.**  **Régulateur de vitesse de transporteur :** Règle et affiche le temps de cuisson. Les fours munis d'une bande transporteuse simple ont un seul régulateur. Les fours munis d'une bande transporteuse divisée ont un régulateur pour chaque bande, identifiés par une étiquette « FRONT » (avant) et « BACK » (arrière.)
- E.**  **Régulateur de température numérique :** Surveille constamment la température du four. Les réglages du régulateur de température numérique commandent la mise en fonction du brûleur ou des éléments chauffants. Les commandes du clavier permettent à l'utilisateur de sélectionner la température de cuisson et surveillent le fonctionnement du four.

NON ILLUSTRÉ :

- F. Interrupteur de sécurité du panneau de service du compartiment des composants :** Interrompt l'alimentation en électricité des commandes et des souffleries lorsque le panneau de service du compartiment des composants est ouvert. Seul le personnel de service agréé peut ouvrir le panneau.

II. FONCTIONNEMENT NORMAL - PAS-À-PAS

A. PROCÉDURE DE MISE EN SERVICE QUOTIDIENNE

1. Vérifiez si le disjoncteur ou le sectionneur à fusibles est à la position « ON ». Vérifiez si la fenêtre est fermée.

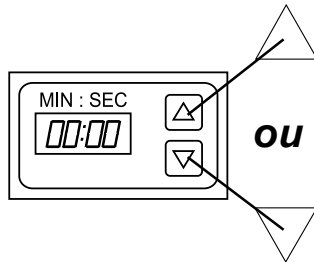
2. Tournez le bouton de commande « BLOWER » (soufflerie) (☼) en position « ON » (« I »).



3. Tournez le bouton de commande « CONVEYOR » (transporteur) (⇌) en position « ON » (« I »).

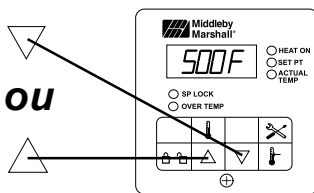
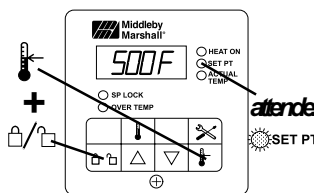


4. Si nécessaire, réglez la vitesse du transporteur en appuyant sur les boutons Δ ou ∇ du régulateur de vitesse du transporteur pour modifier le temps de cuisson affiché.

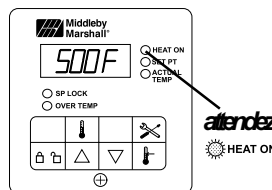


5. Au besoin, ajustez le régulateur de température à la température désirée.

- Appuyez en même temps sur les touches de point de consigne et de déverrouillage. Attendez que le témoin « SET PT » (point de consigne) s'allume.
- Appuyez sur la flèche orientée vers le haut et la flèche orientée vers le bas pour régler le point de consigne.



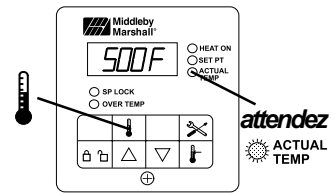
6. Tournez le bouton de commande « HEAT » (chaleur) (☼) en position « ON » (« I »), et attendez que le témoin « HEAT ON » (brûleur en marche) s'allume.



7. Attendez que le four se réchauffe jusqu'à la température de consigne. Les points de consigne plus élevés demandent une attente plus longue. Le four peut atteindre une température de 232 °C (500 °F) dans un délai de 5 minutes.

8. (Facultatif) Appuyez sur la touche de température

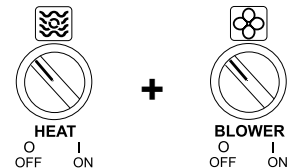
- (☼) pour afficher la température actuelle, et attendez que le témoin « ACTUAL TEMP » (température actuelle) s'allume. Cette fonction vous permet de surveiller la température du four pendant qu'elle augmente pour atteindre le point de consigne.



9. Allouez une période de préchauffage de 10 minutes après avoir atteint la température de consigne.

B. PROCÉDURES QUOTIDIENNES DE MISE EN L'ARRÊT

1. Tournez les commandes « HEAT » (chaleur) (☼) et « BLOWER » (soufflerie) (☼) en position « OFF » (« O »). Notez que les souffleries demeureront en opération jusqu'à ce que le four ait refroidi à une température inférieure à 200 °F (93 °C).



2. Assurez-vous qu'il n'y a pas de produits sur le transporteur à l'intérieur du four. Tournez le bouton de commande « CONVEYOR » (transporteur) (⇌) en position « OFF » (« O »).



3. Ouvrez la fenêtre pour permettre au four de refroidir plus rapidement.

4. Une fois le four refroidi et les souffleries arrêtées, mettez le disjoncteur/sectionneur à fusibles en position « OFF ».

IMPORTANT

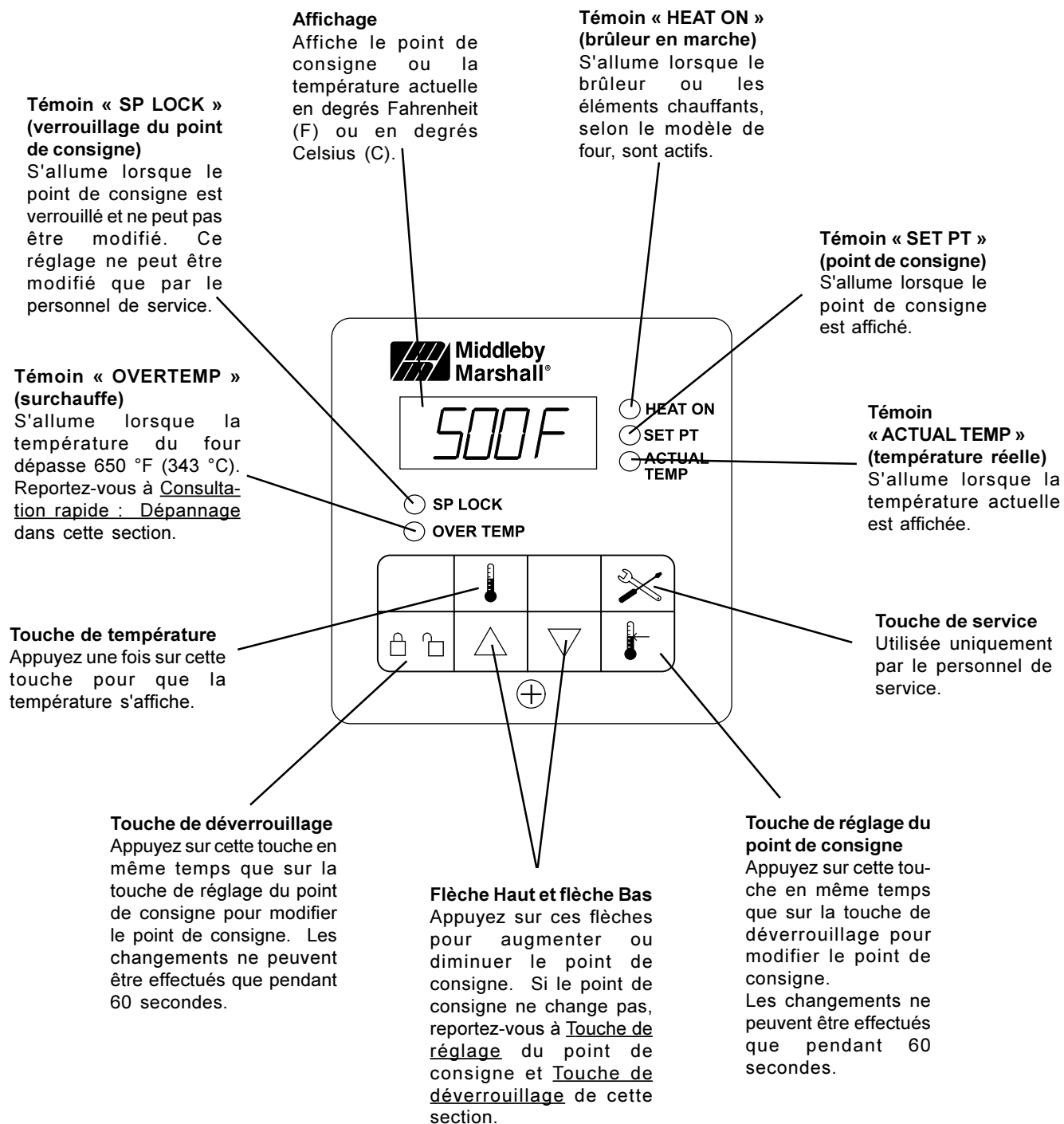
Sur les fours à gaz, si le témoin « HEAT ON » (Brûleur en marche) ne s'allume pas, OU si le four ne chauffe pas, le brûleur à gaz peut ne pas s'être allumé. Mettez les commandes « HEAT » (chaleur) (☼), « BLOWER » (soufflerie) (☼) et « CONVEYOR » (transporteur) (⇌) en position « OFF » (« O »). Attendez AU MOINS CINQ MINUTES avant de remettre le four en marche. Répétez ensuite la procédure quotidienne de mise en marche.

ATTENTION



En cas de panne d'électricité, mettez toutes les commandes en position « OFF » (« O »), ouvrez la fenêtre du four, puis retirez les aliments du four. Après le rétablissement du courant, suivez la procédure de mise en marche habituelle. SI LE FOUR A ÉTÉ ÉTEINT MOINS DE 5 MINUTES, ATTENDEZ AU MOINS CINQ MINUTES AVANT DE REMETTRE LE FOUR EN MARCHÉ.

S'il n'est pas alimenté en électricité le brûleur ne fonctionnera pas et le gaz ne passera pas dans le brûleur. Il est déconseillé de tenter de faire fonctionner le four durant une panne d'électricité.

III. CONSULTATION RAPIDE : RÉGULATEUR DE TEMPÉRATURE NUMÉRIQUE



IV. CONSULTATION RAPIDE : RÉOLUTION DE PROBLÈMES

SYMPTÔME	PROBLÈME	SOLUTION
 OVERTEMP Le témoin est allumé, les aliments ne sont pas suffisamment cuits	La température du four a dépassé 343 °C (650 °F) et le brûleur ou les éléments chauffants se sont éteints automatiquement.	<ul style="list-style-type: none"> Reportez-vous à la rubrique <u>Procédures quotidiennes de mise en arrêt</u> contenues dans cette section pour éteindre le four. Afin de déterminer et de corriger la cause du problème et d'éviter d'endommager le four, contactez votre technicien agréé par Middleby Marshall.
Le four ne s'allume pas du tout	Il se peut que le four ne soit pas alimenté en électricité ou que les commandes ne soient pas réglées correctement.	<ul style="list-style-type: none"> Vérifiez si le disjoncteur/sectionneur à fusibles est sous tension. Vérifiez si la commande « BLOWER » (soufflerie) (☼) est en position « ON » (« I »). Le brûleur ne peut être mis en fonction si les souffleries ne fonctionnent pas.
Le four s'éteint peu de temps après avoir été mis en marche (uniquement fours à gaz)	Le brûleur à gaz ne s'est pas allumé en moins de 90 secondes après que la commande « HEAT » (chaleur) (☼) a été mise en position « ON » (« I »). Cette opération déclenche automatiquement le mode de verrouillage de sécurité.	<ul style="list-style-type: none"> Mettez les commandes « HEAT » (chaleur) (☼), « BLOWER » (soufflerie) (☼) et « CONVEYOR » (transporteur) (↔) en position « OFF » (« O »). Attendez AU MOINS CINQ MINUTES avant de remettre le four en marche. Répétez la procédure quotidienne de mise en marche.
 apparaît sur l'afficheur, le four ne chauffe pas	Le four n'a pas atteint 93 °C (200 °F) moins de 15 minutes après la mise en marche, puis il a cessé de chauffer.	<ul style="list-style-type: none"> Mettez les commandes « HEAT » (chaleur) (☼), « BLOWER » (soufflerie) (☼) et « CONVEYOR » (transporteur) (↔) en position « OFF » (« O »). Attendez AU MOINS CINQ MINUTES avant de remettre le four en marche. Répétez la procédure quotidienne de mise en marche.
Le four ne chauffe pas	Il se peut que les commandes soient réglées de façon incorrecte.	<ul style="list-style-type: none"> Vérifiez si le point de consigne est correctement réglé. Vérifiez si les commandes « BLOWER » (soufflerie) (☼) et « HEAT » (chaleur) (☼) sont en position « ON » (« I »). Si le four ne se réchauffe toujours pas, mettez les commandes « HEAT » (chaleur) (☼), « BLOWER » (soufflerie) (☼) et « CONVEYOR » (transporteur) (↔) en position « OFF » (« O »). Attendez AU MOINS CINQ MINUTES avant de remettre le four en marche. Répétez la procédure quotidienne de mise en marche. Vérifiez si le point de consigne est supérieur à 93 °C (200 °F).
Le four fonctionne mais peu ou pas d'air est soufflé par les conduits d'air	Il se peut que les conduits d'air aient été remontés de façon incorrecte après le nettoyage.	<ul style="list-style-type: none"> Mettez le four hors fonction et laissez-le refroidir. Débranchez l'alimentation en électricité du four. Reportez-vous à la section 4, <u>Entretien</u>, pour connaître les directives concernant le remontage des conduits d'air.
Le transporteur se déplace par mouvement saccadé ou ne se déplace pas du tout	Il se peut que le transporteur soit coincé par un objet dans le four ou que la tension de la bande transporteuse ou de la chaîne d'entraînement du transporteur soient incorrectes.	<ul style="list-style-type: none"> Mettez le four hors fonction et laissez-le refroidir. Débranchez l'alimentation en électricité du four. Vérifiez si le transporteur est coincé par un objet à l'intérieur du four. Reportez-vous à la section 4, <u>Entretien</u>, pour connaître la marche à suivre pour vérifier la tension du transporteur et de la chaîne d'entraînement.
Les aliments sont trop cuits ou pas assez cuits	Il se peut que les commandes soient réglées de façon incorrecte.	<ul style="list-style-type: none"> Vérifiez si la température de consigne et les réglages du temps de cuisson sont corrects.

SI CES ÉTAPES NE RÉSOUVENT PAS LE PROBLÈME, CONTACTEZ VOTRE TECHNICIEN AGRÉÉ LOCAL DE MIDDLEBY MARSHALL. UN RÉPERTOIRE DE CENTRES DE SERVICE EST FOURNI AVEC VOTRE FOUR.

SECTION 4 - ENTRETIEN

AVERTISSEMENT

Avant d'effectuer QUELQUE tâche de nettoyage ou d'entretien QUE CE SOIT sur le four, effectuez la procédure suivante :

1. Éteignez le four et laissez-le refroidir. Ne procédez PAS à l'entretien du four s'il est chaud.
2. Mettez le(s) disjoncteur(s) de l'alimentation en électricité hors tension et débranchez l'alimentation en électricité du four.
3. S'il est nécessaire de déplacer le four pour le nettoyer ou pour procéder à son entretien, débranchez le raccordement d'alimentation en gaz avant de déplacer le four.

Une fois le nettoyage et l'entretien terminés :

1. Si le four a été déplacé pour l'entretien, remettez-le en place.
2. Pour les fours à gaz, rebranchez l'alimentation en gaz.
3. Rebranchez l'alimentation en électricité.
4. Si le câble de retenue a été débranché pour pouvoir nettoyer ou effectuer un entretien sur le four, rebranchez-le maintenant.
5. Pour les fours à gaz, ouvrez le robinet de sectionnement à gaz plein débit. Vérifiez l'étanchéité des raccords de canalisation de gaz à l'aide de produit d'essai d'étanchéité homologué ou de mousse de savon épaisse.
6. Mettez le(s) disjoncteur(s) d'alimentation en électricité en fonction.
7. Effectuez la procédure de mise en marche normale.

AVERTISSEMENT

Au contact de ce four, vous risquez des blessures causées par les pièces mobiles ou par un choc électrique. Débranchez l'alimentation en électricité AVANT de commencer le démontage, le nettoyage ou l'entretien d'un four. Ne démontez ou ne nettoyez jamais un four pendant que la commande BLOWER (⊗) ou tout autre circuit du four est sous tension.

ATTENTION

N'utilisez JAMAIS de boyau d'arrosage ou d'équipement de nettoyage à la vapeur sous pression pour nettoyer le four. Pour éviter de détremper l'isolant du four, n'utilisez PAS de quantités excessives d'eau. N'utilisez PAS de nettoyant caustique pour four car il pourrait endommager les surfaces aluminées de la chambre de cuisson.

REMARQUE

TOUTES les pièces de rechange exigeant l'accès à l'intérieur du four doivent être remplacées SEULEMENT par un technicien agréé par Middleby Marshall. Il est fortement recommandé que les procédures d'entretien trimestrielles et semestrielles de cette section NE soient effectuées QUE par un technicien agréé de Middleby Marshall.

FRANÇAIS

I. ENTRETIEN - QUOTIDIEN

- A. Vérifiez si le four est froid et si l'alimentation est débranchée, comme le décrit l'avertissement au début de cette section.
- B. Nettoyez l'intérieur du four avec un chiffon doux et un détergent doux.
- C. Nettoyez les ventilateurs de refroidissement avant de la façon suivante :
 - Retirez la grille de protection et nettoyez-la à l'aide d'un chiffon. Reportez-vous à la Figure 4-1.
 - Enlevez le filtre en mousse et inspectez-le. S'il est empoussiéré, secouez-le vivement. S'il y a de la graisse ou de la saleté sur le filtre, nettoyez-le dans de l'eau chaude et savonneuse. Rincez le filtre, tordez-le pour extraire le plus possible d'eau et puis mettez-le de côté pour qu'il sèche avant d'être réinstallé.
 - Une fois le filtre sec, réinstallez-le ainsi que la grille.
- D. Nettoyez le protecteur de moteur et les grilles arrière à l'aide d'une brosse de nylon rigide. Reportez-vous à la Figure 4-2 pour connaître l'emplacement des grilles.
- E. Vérifiez si TOUS les ventilateurs fonctionnent correctement.

ATTENTION

Si un ventilateur ne fonctionne par correctement, il doit être remplacé IMMÉDIATEMENT. Les composants internes du four peuvent être sérieusement endommagés si le four fonctionne sans ventilation adéquate.

- F. Nettoyez les bandes transporteuses à l'aide d'une brosse de nylon rigide. Il est plus facile d'accomplir cette tâche si vous laissez rouler le transporteur alors que vous êtes debout du côté d'où sortent les aliments. Balayez ensuite les miettes pendant que le transporteur se déplace.
- G. Retirez et nettoyez les plateaux à miettes. Lors de la dépose du transporteur, reportez-vous à la Figure 2-12 (dans la section 2, [Installation](#)).

Figure 4-1 - Ventilateurs de refroidissement avant

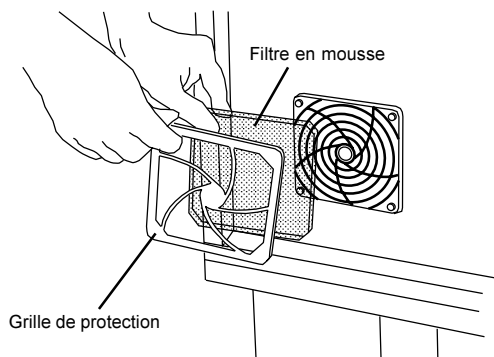
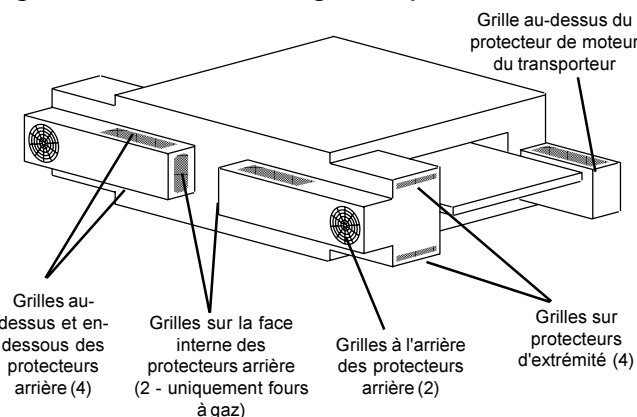


Figure 4-2 - Grilles arrière et grille du protecteur de moteur



II. ENTRETIEN - MENSUEL

REMARQUE

Lors de la dépose du transporteur, reportez-vous à la Figure 2-9 (dans la section 2, Installation).

- Vérifiez si le four est froid et si l'alimentation est débranchée, comme le décrit l'avertissement au début de cette section.
- Retirez du four les plateaux à miettes et le protecteur du moteur d'entraînement.
- Soulevez légèrement l'extrémité d'entraînement du transporteur, et poussez-la vers l'avant dans le four. Ceci élimine la tension de la chaîne d'entraînement. Puis retirez de la roue d'entraînement du transporteur la chaîne d'entraînement.
- Faites coulisser le transporteur hors du four, en le pliant à mesure de son retrait.

REMARQUE

Les transporteurs à bande transporteuse divisée ne peuvent être enlevés qu'à partir du côté du four avec le moteur d'entraînement.

Les bandes transporteuse simples peuvent être enlevées de n'importe quel côté du four. Si un transporteur doit être retiré par l'extrémité du four sans le moteur d'entraînement, retirez la roue d'entraînement du moteur d'entraînement comme le décrivent les instructions Installation du transporteur (dans la section 2, Installation).

- Enlevez les panneaux latéraux du four. Les panneaux latéraux sont montrés dans la Figure 1-1 (dans la section 1, Description).
- Faites glisser les conduits d'air et les plaques de protection hors du four (Figure 4-3). À MESURE QUE CHAQUE CONDUIT OU QUE CHAQUE PLAQUE EST ENLEVÉ(E), INSCRIVEZ UN « CODE D'EMPLACEMENT » AVEC UN FEUTRE afin de vous assurer que la réinstallation sera faite correctement.

Exemples de repère :

(Rangée du haut) H1 H2 H3 H4 H5 H6

(Rangée du bas) B1 B2 B3 B4 B5 B6

- Démontez les conduits d'air comme le démontre la Figure 4-4. À MESURE QUE CHAQUE CONDUIT EST DÉMONTÉ, INSCRIVEZ LE « CODE D'EMPLACEMENT » DU CONDUIT SUR CHACUNE DE SES TROIS PIÈCES. Ceci vous aidera à remonter les conduits d'air correctement.

ATTENTION

Si les conduits d'air sont remontés de façon incorrecte, la cuisson sera affectée.

- Nettoyez les composants du conduit d'air et l'intérieur de la chambre de cuisson à l'aide d'un aspirateur et d'un chiffon humide. Pour les précautions de nettoyage, reportez-vous aux avertissements encadrés au début de cette section.
- Remontez les conduits d'air. Réinstallez-les ensuite dans le four en vous guidant sur le « code d'emplacement ».
- Remontez les panneaux latéraux sur le four.
- Remontez le transporteur dans le four. Si la roue d'entraînement a été enlevée lors de l'installation du transporteur, réinstallez-la maintenant.
- Rattachez la chaîne d'entraînement.
- Vérifiez la tension de la bande transporteuse du transporteur comme le montre la Figure 2-10 (dans la section 2, Installation). La bande transporteuse devrait pouvoir être soulevée de 3 à 4 po (75 -100 mm). NE SERREZ PAS TROP LA BANDE TRANSPORTEUSE. Au besoin, vous pouvez ajuster la tension de la bande transporteuse en tournant les vis de réglage du transporteur situées du côté de l'arbre porteur du transporteur (à droite).
- Remettez en place les plateaux à miettes et le protecteur du moteur d'entraînement.

Figure 4-3 - Dépose des conduits d'air et des plaques

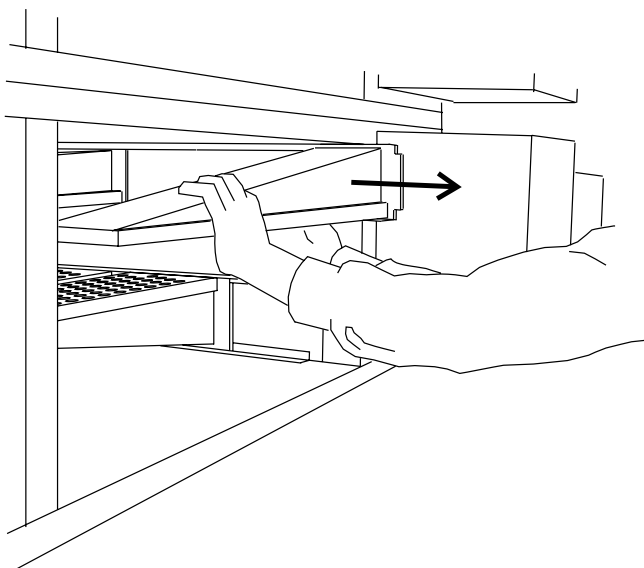
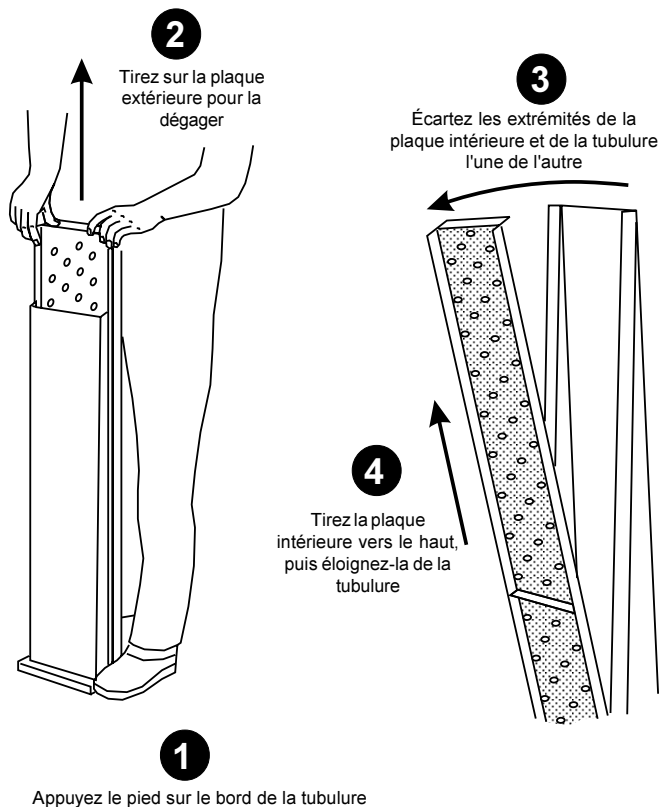
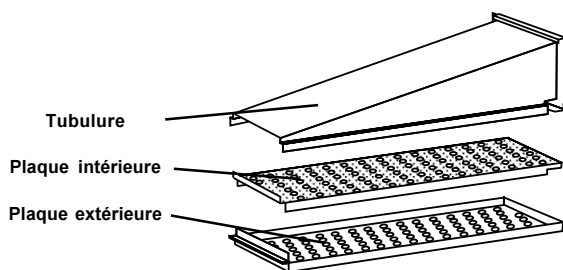


Figure 4-4 - Démontage des conduits d'air



III. ENTRETIEN - TRIMESTRIEL

- Vérifiez si le four est froid et si l'alimentation est débranchée, comme le décrit l'avertissement au début de cette section.
- Nettoyez les moteurs de soufflerie et les pièces avoisinantes à l'aide d'un aspirateur d'atelier.
- Serrez toutes les vis de borne électrique.
- Démontage et nettoyage d'une bande divisée**

Dans le cas des fours à bande transporteuse divisée SEULEMENT, démontez, nettoyez et graissez les composants de l'arbre du transporteur comme décrit ci-dessous.

- Enlevez le protecteur de moteur, les allonges de transporteur et le transporteur comme le décrit la deuxième partie Entretien mensuel.
- Enlevez les mailles de chaque bande transporteuse. Faites ensuite rouler les bandes le long du transporteur afin de les retirer du cadre.
- Enlevez les deux vis d'ajustement du transporteur qui se trouvent du côté de l'arbre porteur du cadre du transporteur (Figure 4-5).
- Retirez l'arbre porteur du transporteur.
- Séparez les deux sections de l'arbre porteur. Nettoyez minutieusement les arbres à l'aide d'un chiffon. Puis graissez l'arbre à rallonge et l'intérieur de l'arbre creux à l'aide d'un lubrifiant pour matériel alimentaire homologué par la FDA.

ATTENTION

NE graissez PAS les arbres à l'aide de WD40 ou d'un produit semblable. Ceci pourrait les user prématurément.

- Avant de remonter les arbres dans le cadre du transporteur, assurez-vous qu'ils sont orientés correctement. Rappelez-vous que si la largeur de la bande transporteuse du four est inégale, la bande la plus étroite doit TOUJOURS se trouver à l'avant du four.
- Remontez l'arbre porteur dans le transporteur. Assurez-vous que la rondelle de bronze est placée entre les deux sections de l'arbre. Reportez-vous à la Figure 4-7.
- Remettez en place les vis de réglage du transporteur comme le démontre la Figure 4-5. Pour permettre la réinstallation ultérieure de la bande transporteuse, ne serrez pas les vis maintenant.
- Desserrez la vis de blocage des deux côtés des roues d'entraînement. Retirez ensuite les roues de l'arbre.
- Desserrez la vis de blocage du collier de fixation, comme le démontre la Figure 4-6.
- Poussez l'arbre d'entraînement vers la droite, puis soulevez-le pour le dégager du cadre du transporteur. Démontez ensuite et graissez les deux sections de l'arbre d'entraînement comme le décrit l'étape 5.
- Avant de remonter les arbres dans le cadre du transporteur, assurez-vous qu'ils sont orientés correctement. Rappelez-vous que si la largeur de la bande transporteuse du four est inégale, la bande la plus étroite doit TOUJOURS se trouver à l'avant du four.
- Remontez l'arbre d'entraînement dans le transporteur. Assurez-vous que l'entretoise de nylon est placée, comme le démontre la Figure 4-7. De plus, assurez-vous que la rondelle de bronze est placée entre les deux sections de l'arbre.
- Remontez les roues d'entraînement. Remontez les bandes transporteuses et les maillons sur le transporteur et réinstallez le transporteur dans le four.

- Remontez le protecteur de moteur et les rallonges de transporteur sur le four.
- Vérifiez la tension de la bande transporteuse. La bande transporteuse devrait pouvoir être soulevée de 3 à 4 po (75 -100 mm). Au besoin, vous pouvez ajuster la tension de la bande transporteuse en tournant les vis de réglage du transporteur.

Figure 4-5 - Arbre porteur de bande transporteuse divisée

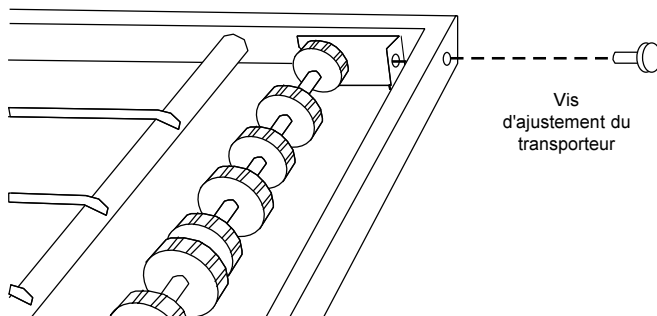


Figure 4-6 - Arbre d'entraînement de bande transporteuse divisée

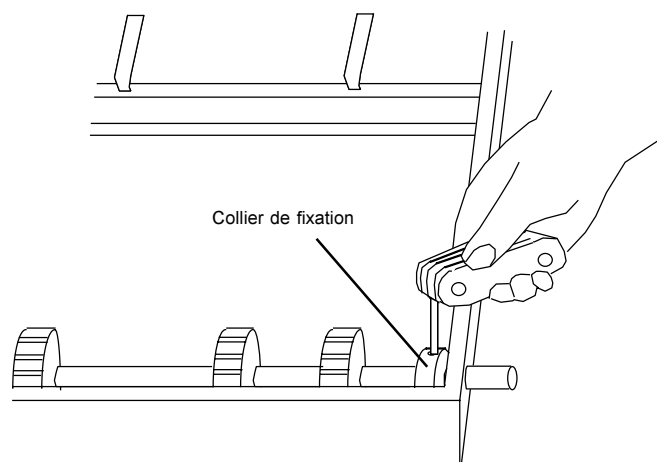
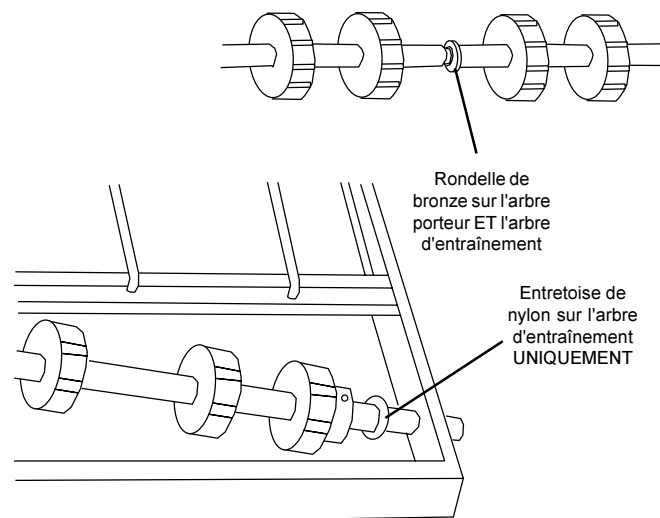


Figure 4-7 - Rondelle et entretoise



E. Courroies de soufflerie

1. Pour accéder à chaque compartiment de courroie de soufflerie, retirez les quatre vis montrées dans la Figure 4-8. Puis soulevez le protecteur arrière de ses crochets.

S'il est nécessaire d'accéder aux moteurs de soufflerie, déposez les 3 vis de montage (deux sur l'avant de chaque protecteur, et un sur l'arrière). Puis, soulevez le protecteur d'extrémité vers le haut et hors de ses crochets. Les protecteurs d'extrémité ne peuvent être retirés qu'APRÈS le retrait des protecteurs arrière.

2. Vérifiez si chaque courroie de soufflerie présente une déflexion d'au moins 1" (25 mm) au centre, et des fissures ou une usure excessive. Reportez-vous à la Figure 4-9. Une tension excessive de la courroie provoquera une défaillance prématurée des paliers et des vibrations éventuelles.
3. Si nécessaire, réglez la tension de la courroie en desserrant les quatre boulons de montage du moteur. Repositionnez le moteur au besoin jusqu'à ce qu'une déflexion correcte soit atteinte, puis serrez les boulons de montage du moteur.

F. Graissage des paliers de ventilateur de soufflerie

1. Utilisez un pistolet à graisse pour graisser les paliers du ventilateur principal de soufflerie, comme le montre la Figure 4-10.

Pour graisser les paliers :

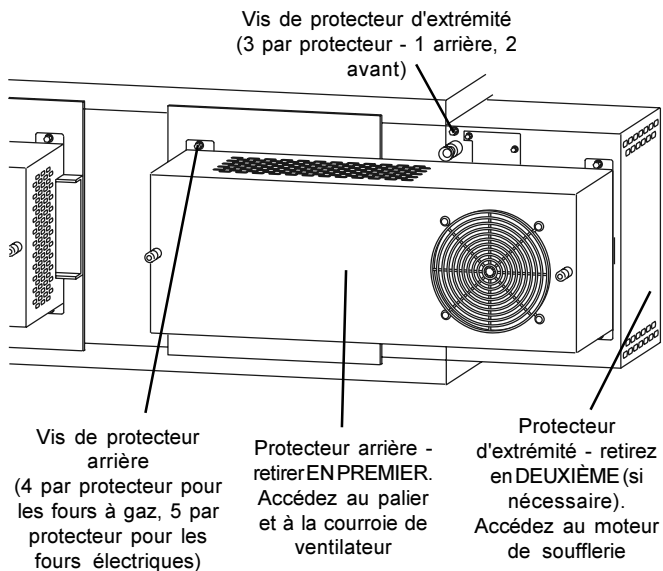
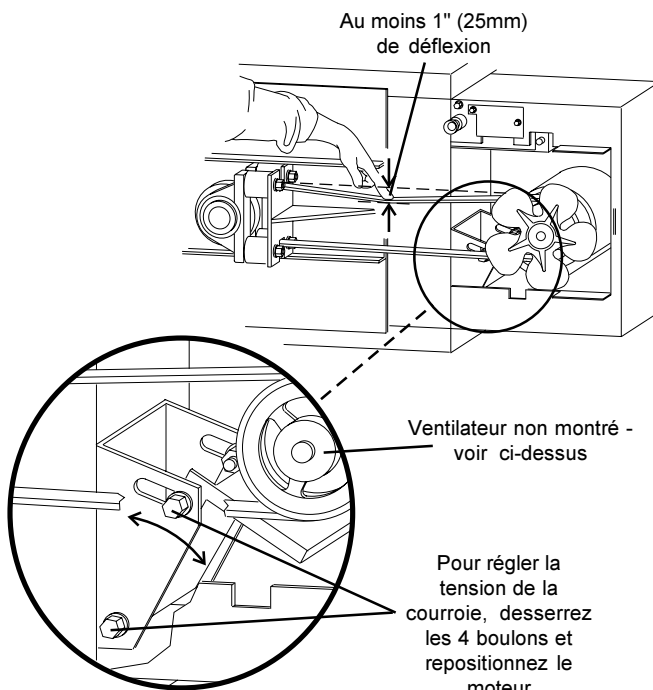
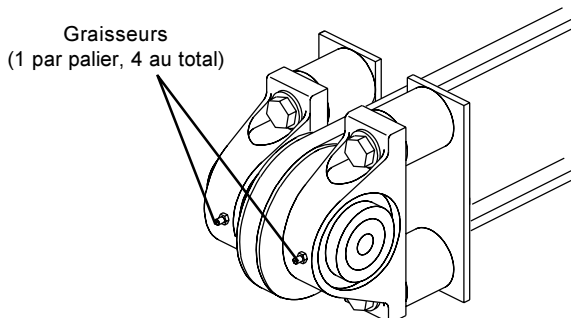
- Utilisez une graisse à savon de lithium de haute qualité NLGI n° 2 avec de l'huile minérale, telle que Middleby N/P 17110-0015.
 - Ajoutez lentement la graisse jusqu'à ce qu'une petite boule de graisse apparaisse aux joints. **NE GRAISSEZ PAS TROP.** Un graissage excessif peut endommager le palier.
2. Tournez à la main l'arbre de soufflerie en tirant sur la courroie pour purger la graisse.
 3. Essuyez l'excès de graisse autour des paliers.
 4. Remontez les protecteurs sur le four.

REMARQUE

Le four ne fonctionnera que si TOUS les protecteurs de moteur et arrière sont en place.

IV. ENTRETIEN - SEMESTRIEL

- A. Vérifiez si le four est froid et si l'alimentation est débranchée, comme le décrit l'avertissement au début de cette section.
- B. Recherchez la présence d'usure excessive sur les balais du moteur d'entraînement du transporteur. Les balais doivent être remplacés s'ils mesurent moins de ¼ po (6,4 mm) en raison de l'usure. Assurez-vous de remettre en place les balais exactement dans la même position.
- C. Pour les fours à gaz, inspectez et nettoyez l'injecteur de brûleur et l'électrode.
- D. Vérifiez (et nettoyez au besoin) le système de ventilation du four.
- E. Vérifiez les bagues et les entretoises de l'arbre. Remplacez les pièces usées.

Figure 4-8 - Protecteurs arrière et plaques de garde**Figure 4-9 - Tension de la courroie de ventilateur****Figure 4-10 - Graissage des paliers**

V. TROUSSE DE PIÈCES DE RECHANGE ESSENTIELLES - Vendue séparément. Reportez-vous à la Figure 4-11.

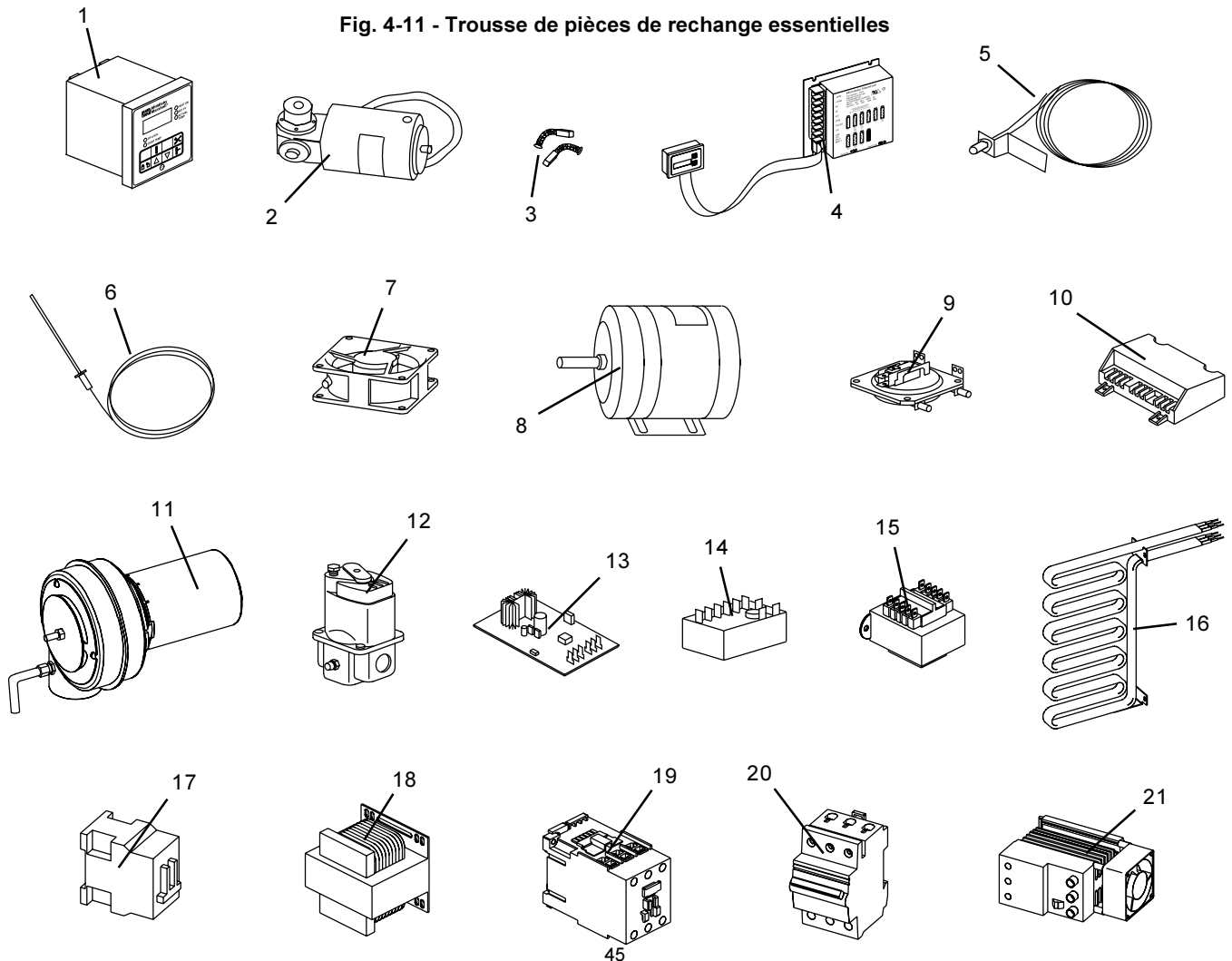
A. Fours à gaz

Art.	Qté	Pièce N°	Description
1	1	36939	Trousse, régulateur de température numérique
2	1	27384-0008	Moteur d'entraînement du transporteur
3	2	22450-0052	Balais, moteur d'entraînement
4	1	37337	Trousse, régulateur de vitesse de transporteur
5	1	27170-0263	Ensemble, dispositif de saisie, entraînement du transporteur
6	1	33984	Trousse, thermocouple
7	1	97525	Ventilateur de refroidissement
8	1	27381-0069	Moteur de soufflerie, 1 CV
9	1	39530	Interrupteur de débit d'air
10	1	42810-0114	Trousse, module d'allumage
11	1	38811	Ensemble, soufflerie/moteur de brûleur
12	1	41647	Vanne à gaz modulante, 1/2"
13	1	31651	Amplificateur de vanne à gaz modulante
14	1	33983	Module de commande à limite supérieure, 240 V
15	1	41872	Transformateur, 240 Vp:24 Vs, 25 VA

B. Fours électriques

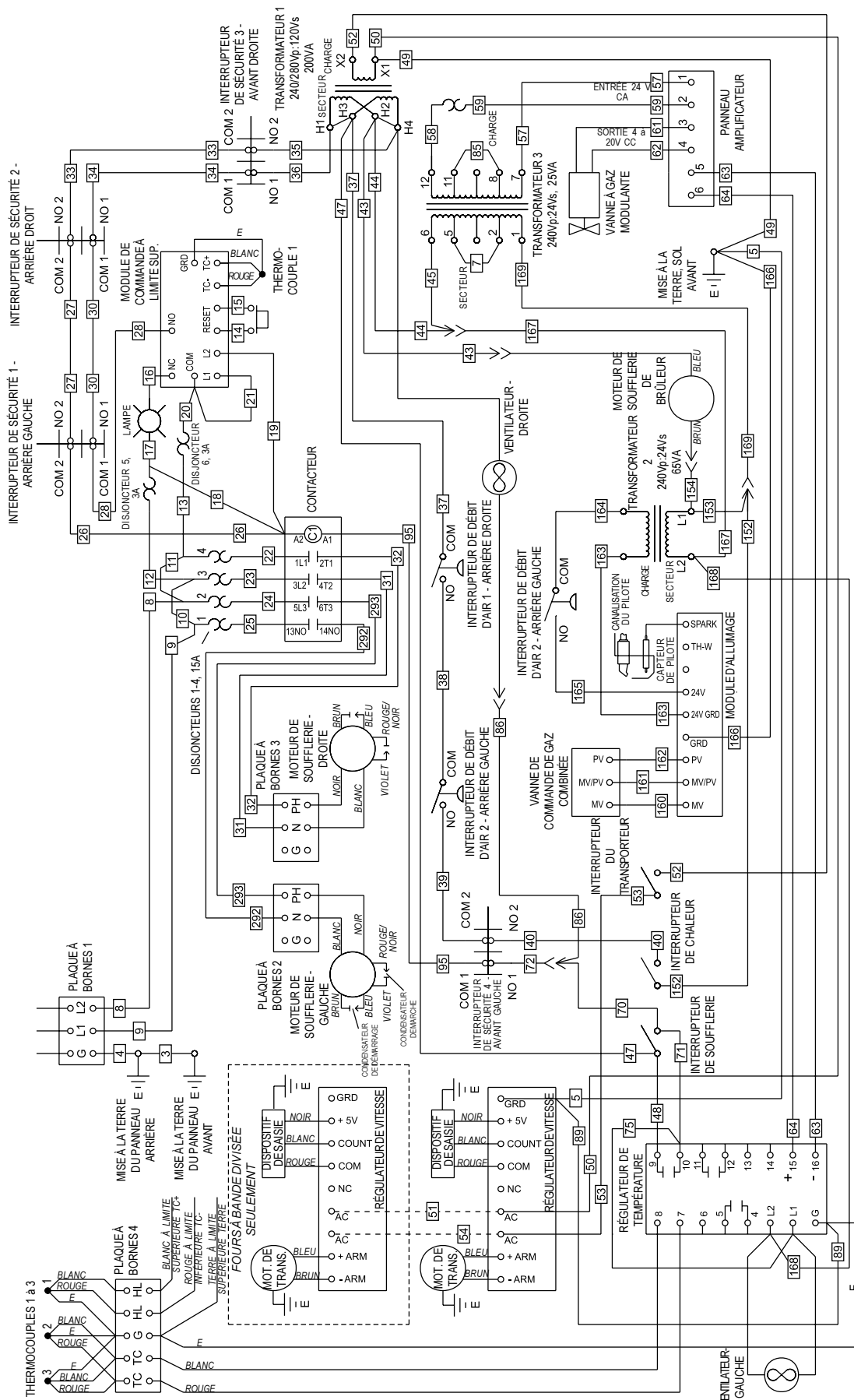
Art.	Qté	Pièce N°	Description
1	1	36939	Trousse, régulateur de température numérique
2	1	27384-0008	Moteur d'entraînement du transporteur
3	2	22450-0052	Balais, moteur d'entraînement
4	1	37337	Trousse, régulateur de vitesse de transporteur
5	1	27170-0263	Ensemble, dispositif de saisie, entraînement du transporteur
6	1	33984	Trousse, thermocouple
7	1	97525	Ventilateur de refroidissement
8	1	27381-0069	Moteur de soufflerie, 1 CV
14	1	33983	Module de commande à limite supérieure, 240 V
16a	1	43337	Élément chauffant, 208 V
16b	1	44525	Élément chauffant, 230 V
16c	1	44526	Élément chauffant, 380 V
16d	1	44527	Élément chauffant, 480 V
17	1	28041-0008	Contacteur
18	1	31504	Transformateur, 230 Vp : 120 Vs
19	1	44549	Contacteur
20	1	35018	Boîtier disjoncteurs, 3 pôles, 50 A
21a	1	44568	Régulateur (fours de 380 V & 480 V)
21b	1	44914	Régulateur (fours de 208 V, 230 V & 240 V)

Fig. 4-11 - Trousse de pièces de rechange essentielles



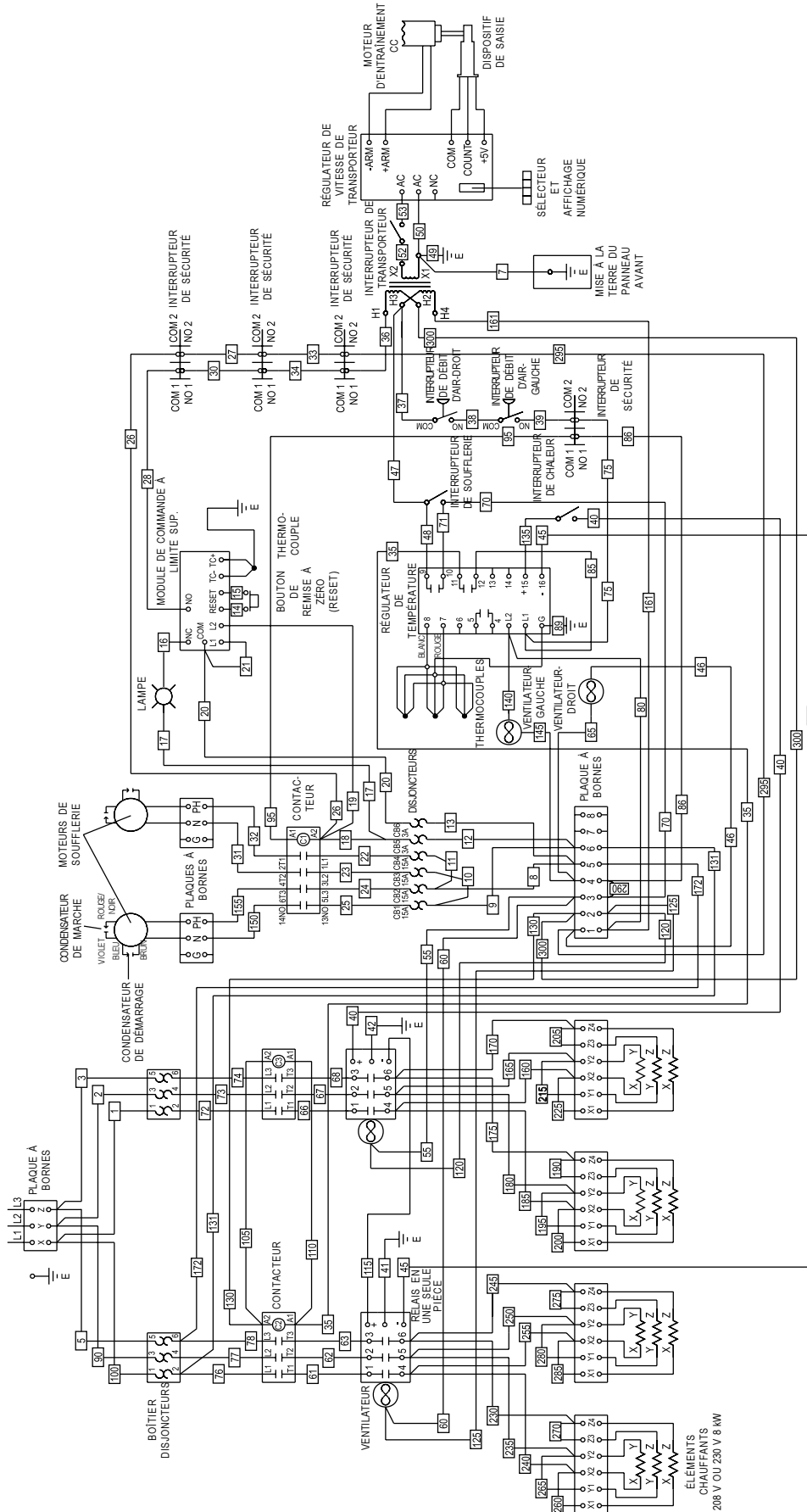
SECTION 5 - SCHÉMAS DE CÂBLAGE

Fig. 5-1
Schéma de câblage, fours à gaz PS555G ou PS570G, 208/240 V, 50/60 Hz, 1 Ph



IMPORTANT
Le schéma de câblage s'appliquant à ce four est situé à l'intérieur du compartiment des composants.

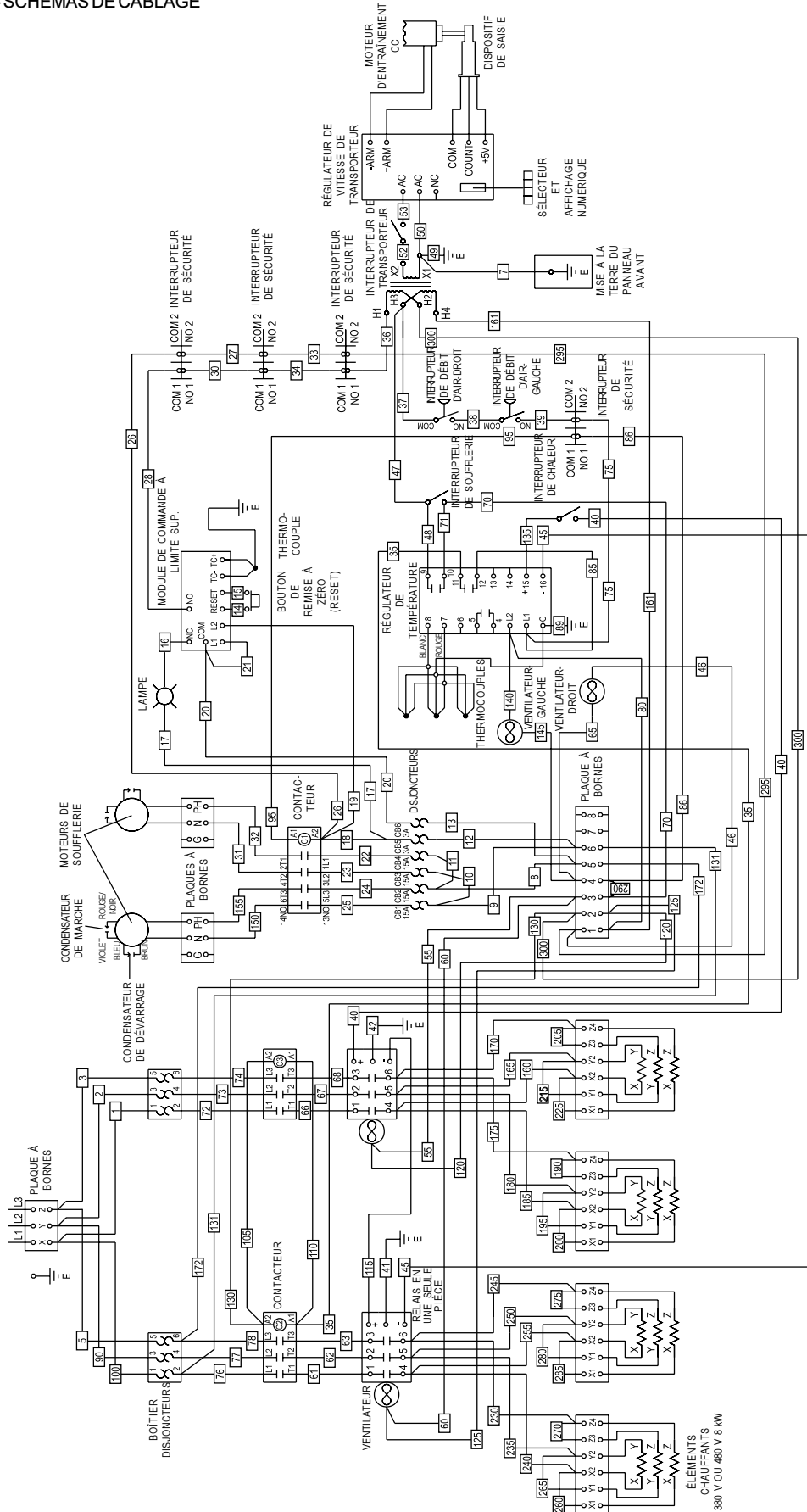
Fig. 5-2
Schéma de câblage, four électrique PS555E, 208 ou 240 V, 50/60 Hz, 3 Ph



IMPORTANT
Le schéma de câblage s'appliquant à ce four est situé à l'intérieur du compartiment des composants.

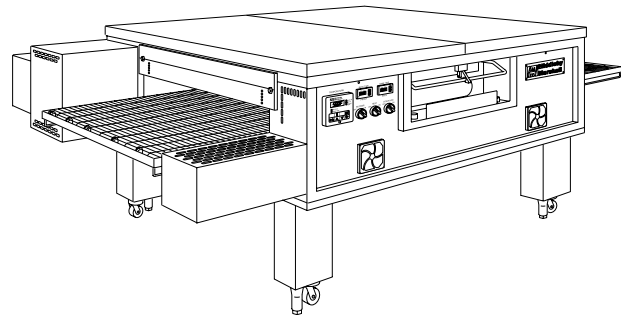
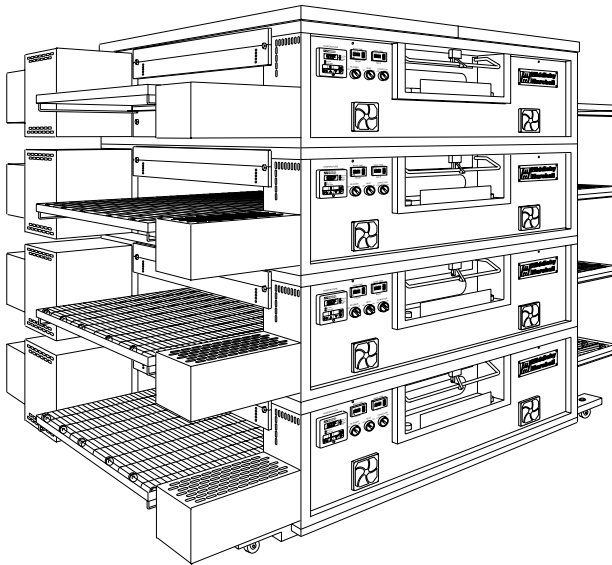
FRANÇAIS

Fig. 5-3
Schéma de câblage, four électrique PS555E, 380 ou 480 V, 50/60 Hz, 3 Ph



IMPORTANT

Le schéma de câblage s'appliquant à ce four est situé à l'intérieur du compartiment des composants.



Hornos de gas y eléctricos de la Serie PS500

Modelo:

- PS555G de gas
- PS555E eléctrico
- PS570G de gas

Combinaciones:

- Horno sencillo
- Horno doble (torre de dos unidades)
- Horno triple (torre de tres unidades)
- Horno cuádruple (torre de cuatro unidades)

MANUAL DE INSTALACIÓN Y OPERACIÓN DEL PROPIETARIO

para hornos domésticos y de exportación estándar

© 2001 Middleby Marshall, Inc.



**Middleby
Marshall®**

es una marca registrada de Middleby Marshall, Inc. Todos los derechos reservados.

Middleby Cooking Systems Group • 1400 Toastmaster Drive • Elgin, IL 60120 EE.UU. • (847)741-3300 • FAX (847)741-4406



AVISO:

Este **Manual de Operación e Instalación del Propietario** debe ser entregado al usuario. El operario del horno debe estar familiarizado con las funciones y la operación del horno.

Este manual debe mantenerse a la vista, en un lugar accesible cerca del horno.

Los hornos de gas están diseñados para utilizarse TANTO con gas natural como CON gas propano líquido, tal como se especifica en la placa informativa. Siempre que los códigos locales y nacionales lo permitan, el horno puede ser convertido para que funcione con gas natural o con gas propano. Esta conversión requiere la instalación del Juego de Conversión de Gas de Middleby Marshall por un Agente de Servicio Autorizado.

Sugerimos obtener un contrato de servicio con un Agente de Servicio Autorizado de Middleby Marshall.

AVISO

COLOQUE A LA VISTA EL NÚMERO DE TELÉFONO DE EMERGENCIA DE SU DISTRIBUIDOR DE GAS LOCAL, ASÍ COMO LAS INSTRUCCIONES A SEGUIR EN CASO DE PERCIBIR OLOR DE GAS.

Usted debe obtener de su distribuidor local de gas las instrucciones a seguir en caso que el usuario note olor de gas. Si detecta olor de gas, llame inmediatamente al número de teléfono de emergencia de su Compañía Local de gas. Ellos cuentan con el personal y los procedimientos para corregir el problema.

PARA SU SEGURIDAD

No almacene o use gasolina ni ningún otro vapor o líquido inflamable cerca de este o cualquier otro artefacto de este tipo.

AVISO:

Una instalación, ajuste, alteración, servicio o mantenimiento inapropiados pueden causar daños materiales, lesiones personales o la muerte. Lea detenidamente las instrucciones de instalación, operación y mantenimiento antes de instalar o prestar servicio a este equipo.

IMPORTANTE

Dentro del compartimento de mecanismos se encuentra un diagrama de cableado eléctrico del horno.

IMPORTANTE

Es responsabilidad del cliente informar a la empresa de transporte sobre cualquier daño visible u oculto. Conserve todos los materiales de envío hasta que se asegure que el equipo no ha sufrido daño alguno durante el envío.

AVISO: EN CASO DE MANTENIMIENTO O REPARACIONES, PÓNGASE EN CONTACTO CON SU AGENTE DE SERVICIO AUTORIZADO DE MIDDLEBY MARSHALL. CON SU HORNO SE INCLUYE UNA LISTA DE AGENCIAS DE SERVICIO AUTORIZADAS.

AVISO: El uso de cualquier pieza distinta a las genuinas fabricadas por Middleby Marshall libera al fabricante de toda responsabilidad y garantía.

AVISO: Middleby Marshall (Fabricante) se reserva el derecho a cambiar especificaciones en cualquier momento.

AVISO: La garantía del equipo no es válida si el equipo no es instalado, activado y demostrado bajo la supervisión de un instalador certificado por el fabricante.

Retenga este Manual para referencia futura

Middleby Cooking Systems Group • 1400 Toastmaster Drive • Elgin, IL 60120 • EE.UU. • (847)741-3300 • FAX (847)741-4406

Línea de Servicio Abierta las 24 Horas: 1-(800)-238-8444

www.middleby.com

ÍNDICE

	<i>página</i>		<i>página</i>
SECCIÓN 1 - DESCRIPCIÓN	52	V. ENSAMBLADO FINAL	58
I. USO DEL HORNO	52	VI. SUMINISTRO ELÉCTRICO	58
II. COMPONENTES DEL HORNO	52	A. Información Adicional - Hornos de Gas	58
A. Motor de impulsión del transportador	52	B. Información Adicional - Hornos Eléctricos	58
B. Bandejas Colectoras	52	C. Conexión	58
C. Tope Final del Transportador	52	VII. SUMINISTRO DE GAS	59
D. Tope Posterior del Transportador	52	A. Recomendaciones de instalación interna de líneas de servicio de gas	59
E. Cinta transportadora	52	B. Conexión	60
F. Compuertas de los Extremos	52	C. Conversión Según el Tipo de Gas	60
G. Protectores (Pestañas)	52	SECCIÓN 3 - OPERACIÓN	61
H. Ventana	52	I. UBICACIÓN Y DESCRIPCIÓN DE LOS CONTROLES	61
I. Panel de Acceso al Compartimento de Mecanismos	52	A. BLOWER (VENTILADOR) (☼)	61
J. Placa Informativa	52	B. HEAT (CALOR) (☼)	61
K. Panel de Control	52	C. CONVEYOR (TRANSPORTADOR) (☼)	61
L. Quemador de gas o elementos térmicos	52	D. Controlador de Velocidad del Transportador	61
M. Ventiladores	52	E. Controlador Digital de Temperatura	61
N. Dedos de Aire	52	F. Interruptor de Seguridad del Panel de Acceso del Compartimento de Mecanismos	61
III. ESPECIFICACIONES DEL HORNO	52	II. OPERACIONES NORMALES, PASO A PASO	62
A. Dimensiones	52	A. Procedimientos diarios de encendido	62
B. Especificaciones Generales	52	B. Procedimientos diarios de apagado	62
C. Especificaciones eléctricas para los hornos eléctricos PS555E	52	III. REFERENCIA RÁPIDA: CONTROL DE TEMPERATURA DIGITAL	63
D. Especificaciones eléctricas para los hornos de gas PS555G y PS570G	53	IV. REFERENCIA RÁPIDA: DIAGNÓSTICO DE AVERÍAS	64
E. Especificaciones del orificio de gas y de presión para los hornos de gas PS555G y PS570G	53	SECCIÓN 4 - MANTENIMIENTO	65
SECCIÓN 2 - INSTALACIÓN	53	I. MANTENIMIENTO - DIARIO	65
I. JUEGO DE COJINES DE BASE	54	II. MANTENIMIENTO - MENSUAL	66
II. JUEGO DE INSTALACIÓN	55	III. MANTENIMIENTO - TRIMESTRAL	67
III. SISTEMA DE VENTILACIÓN	55	IV. MANTENIMIENTO - SEMESTRAL	68
A. Requisitos	55	V. JUEGO DE PIEZAS DE REPUESTO PRINCIPALES	69
B. Recomendaciones	55	SECCIÓN 5 - DIAGRAMAS DEL CABLEADO ELÉCTRICO	70
C. Otras consideraciones de ventilación	55	I. DIAGRAMA DE CABLEADO, HORNO DE GAS PS555G O PS570G, 208/240V, 50/60 Hz, 1 F	70
IV. ENSAMBLADO	56	II. DIAGRAMA DE CABLEADO, HORNO ELECTRICO PS555E, 208V O 240V, 50/60 Hz, 3 F	71
A. Cojín de base, patas, ruedas y apilado	56	III. DIAGRAMA DE CABLEADO, HORNO ELECTRICO PS555E, 380V O 480V, 50/60 Hz, 3 Ph	72
B. Instalación del cable de sujeción	56		
C. Instalación del Transportador	56		

SECCIÓN 1 - DESCRIPCIÓN

I. USO DEL HORNO

Los Hornos de la Serie PS500 se pueden utilizar para hornear y/ o cocinar una amplia variedad de productos alimenticios, tales como pizza, productos tipo pizza, galletas, emparedados y otros.

II. COMPONENTES DEL HORNO - Ver Figura 1-1.

- A. Motor de Impulsión del Transportador:** Mueve el transportador.
- B. Bandejas Colectoras:** Recogen migajas y otros materiales que pueden caer por entre el transportador. En cada extremo del transportador hay una bandeja colectora.
- C.D. Tope final y tope posterior del transportador:** Evitan que los alimentos se caigan del extremo final o de la parte posterior del transportador en movimiento.
- E. Transportador:** Mueve los alimentos a lo largo del horno.
- F. Compuertas de los Extremos:** Permiten el acceso al interior del horno.
- G. Protectores (Pestañas):** Pueden ajustarse a distintas alturas para evitar la pérdida de calor al ambiente.
- H. Ventana:** Permite que el usuario tenga acceso a los productos alimenticios dentro de la cámara de horneado.
- I. Panel de Acceso al Compartimento de Mecanismos:** Permite acceso al interior del horno y a los componentes de control. En el compartimento de mecanismos no hay ninguna pieza a la que el usuario pueda prestar servicio.
- J. Placa Informativa:** Proporciona especificaciones para el horno que pueden afectar la instalación u operación. Refiérase a la Sección 2, Instalación, para detalles.

K. Panel de Control: Ubicación de los controles de operación del horno. Refiérase a la Sección 3, Operación, para averiguar detalles.

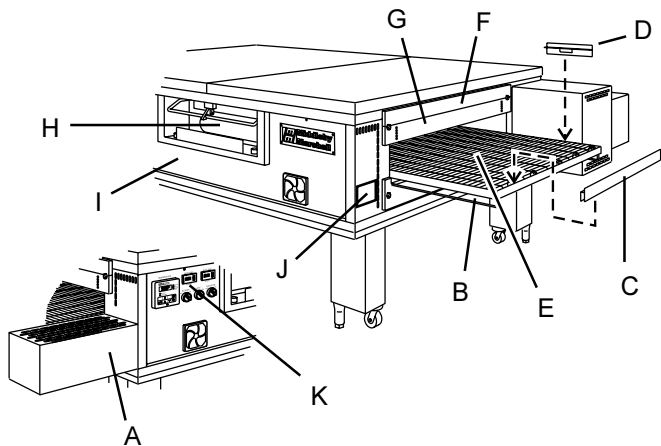
No Mostrado:

L. Quemador de gas (hornos de gas) o elementos térmicos (hornos eléctricos): Calienta el aire, el cual es entonces proyectado hacia los dedos de aire mediante los ventiladores.

M. Ventiladores: Proyectan aire caliente desde el quemador o desde los elementos calentadores hacia los dedos de aire.

N. Dedos de Aire: Proyectan chorros de aire caliente sobre los alimentos

Figura 1-1 - Componentes del Horno



III. ESPECIFICACIONES DEL HORNO

Tabla 1-1: Dimensiones	Horno sencillo	Horno doble	Horno triple	Horno cuádruple
Altura Total	1.172mm (46 -1/8")	1.527mm (60 -1/8")	1.588mm (62 -1/2")	1.981mm (78")
Profundidad Total	1.610mm (63 -3/8")	1.610mm (63 -3/8")	1.610mm (63 -3/8")	1.610mm (63 -3/8")
Largo total, PS555G y PS555E	2.311mm (91")	2.311mm (91")	2.311mm (91")	2.311mm (91")
Largo total, PS570G	2.692mm (106")	2.692mm (106")	2.692mm (106")	2.692mm (106")
Ancho del Transportador	813mm (32")	813mm (32")	813mm (32")	813mm (32")
	ó 2x15" (381mm)	ó 2x15" (381mm)	ó 2x15" (381mm)	ó 2x15" (381mm)
Márgenes Mínimos Recomendados				
Parte posterior del horno (inc. viseras posteriores) hasta la pared	152mm(6")	152mm(6")	152mm(6")	152mm(6")
Extensión del transportador hasta la pared (ambos extremos)	0mm(0")	0mm(0")	0mm(0")	0mm(0")

Tabla 1-2: Especificaciones generales	PS555G	PS555E	PS570G
Peso	533kg (1175 lbs.)	533kg (1175 lbs.)	634kg (1400 lbs.)
Entrada Nominal de Calor	150.000 BTU (37.800 kcal, 44 kW/hr)	32kW	170.000 BTU (42.840 kcal, 50 kW/hr)
Temp. Máx. de Operación	< ----- 288°C / 550°F ----- >		
Ventiladores	2 ventiladores a 39,6m³/min. (1400 pies³/min.) a 2050 RPM, presión estática 1,0cm (0,40") de agua		
Velocidad del Chorro de Aire (prom.)	< ----- -1320cm/seg. (2600 pies/min.) promedio----- >		
Tiempo de Calentamiento	< ----- -15 minutos----- >		

Tabla 1-3: Especificaciones eléctricas para hornos eléctricos PS555E

Voltaje del Ventilador Principal	Voltaje del Circuito de Control	Fase	Frec.	Amperaje real (por línea)				Potencia en kW	Polos	Cables
				L1	L2	L3	N			
208V	Controlador de velocidad de la banda transportadora de 120V (c/transformador); todos los demás circuitos de control 208V;	3F	50/60Hz	97.4A	88.8A	97.4A	--	33kW	3Polos	4Cables (3vivos, 1 tierra)
220-240V	Controlador de velocidad de la banda transportadora de 120V (c/transformador); todos los demás circuitos de control 220-240V	3F	50/60Hz	83.0-90.0A	75.0-86.0A	83.0-90.0A	--	29.3-34.8kW	3Polos	4Cables (3vivos 1 tierra)
480V	Controlador de velocidad de la banda transportadora de 120V (c/transformador); todos los demás circuitos de control 240V	3F	50/60Hz	38.5A	38.5A	47.7A	92A	33kW	4Polos	5Cables (3vivos, 1 neut, 1 tierra)

Tabla 1-4: Especificaciones eléctricas para los hornos de gas PS555G y PS570G

Ventilador	Voltaje del Principal	Voltaje del Circuito de Control	Fase	Frec	Amperaje real	Polos	Cables
208-240V	Controlador de velocidad de la banda transportadora de 120V (c/transformador); todos los demás circuitos de control 208/240V		1F	50/60Hz	12A	2Polos	3Cables (2 vivos, 1 tierra)

Tabla 1-5: Especificaciones del orificio de gas y de presión para los hornos de gas PS555G y PS570G

Tipo de gas	DI del orificio principal PS555G	DI del orificio principal PS570G	DI del orificio del piloto	Presión de suministro (entrada)	Presión del orificio (Múltiple)
Natural	5,79mm(0,228")	6,35mm(0,250")	0,71mm(0,028")	6-12"W.C.(14.9-29.9mbar)	3.5"W.C.(8.7mbar)
Propano	3,58mm(0,141")	3,86mm(0,152")	0,46mm(0,018")	11-14"W.C.(27.4-29.9mbar)	10"W.C.(24.9mbar)

IMPORTANTE - En la placa informativa y en el diagrama de cableado dentro del compartimento de mecanismos se proporciona información eléctrica adicional.

SECCIÓN 2 - INSTALACIÓN

AVISO - Después de realizar conversiones, reajustes o prestar servicio al horno:

- Realizar una prueba de fuga de gas.
- Realizar una prueba para verificar si el suministro de aire es apropiado, en particular al ventilador del quemador.
- Realizar una prueba para verificar si la combustión y el suministro de gas son apropiados.
- Verificar si el sistema de ventilación funciona.

AVISO: Mantenga el área del artefacto libre y alejada de combustibles.

AVISO: El horno se debe instalar en un piso nivelado y no inflamable, y las paredes adyacentes deben ser no inflamables. Los márgenes mínimos recomendados se especifican en la sección *Descripción* de este manual.

AVISO: No obstruya el flujo de entrada y salida de aire de combustión y ventilación del horno. No deben haber obstrucciones alrededor o debajo del horno. Los cambios realizados en la estructura del área donde se instale el horno no deberán afectar el suministro de aire al horno.

PRECAUCIÓN: Para reducir el riesgo de causar un incendio, el electrodoméstico se debe instalar en pisos de estructura no combustible, con revestimiento de piso y acabado de superficie no combustibles, y el material debajo de los mismos debe ser no combustible, o con losas o arcos no combustibles, con materiales no combustibles debajo de los mismos, y esta estructura deberá extenderse no menos de 12 pulgadas (304.8 mm) más allá del equipo en todos los lados.

PRECAUCIÓN: Para información adicional sobre la instalación, póngase en contacto con su Agente de Servicio Autorizado.

NOTA: Debe haber una separación adecuada entre el horno y cualquier construcción combustible. También se debe proporcionar separación suficiente para el servicio y la operación

NOTA: Dentro del compartimento de mecanismos se encuentra un diagrama de cableado eléctrico del horno.

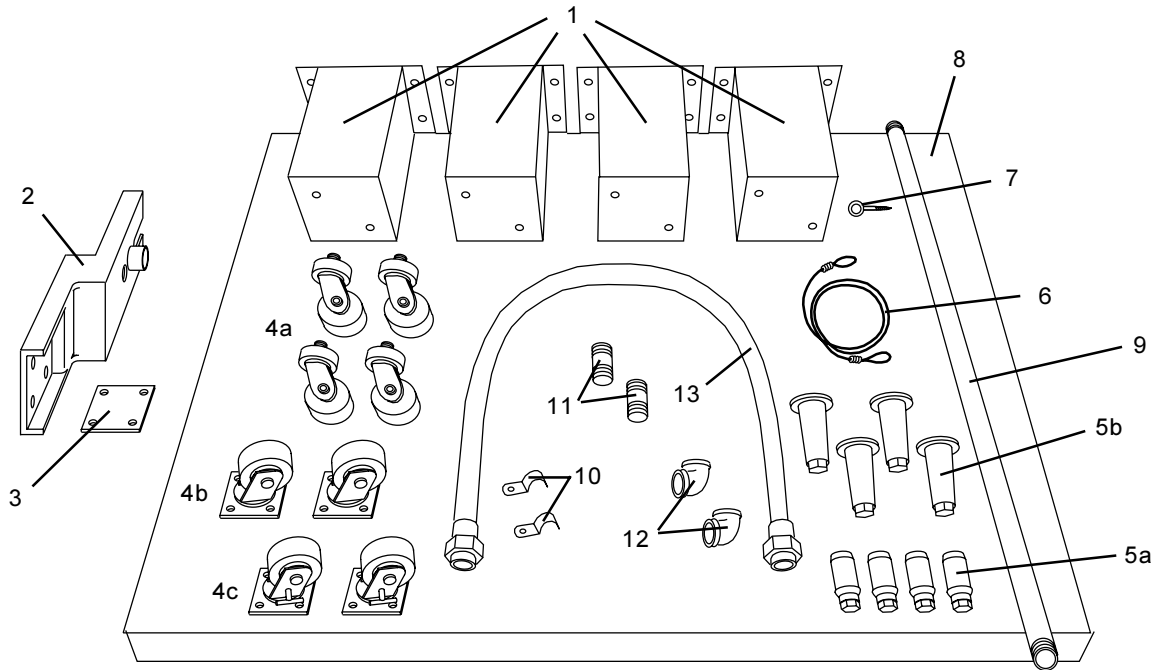
NOTA: Todos los aspectos de la instalación del horno, incluyendo ubicación, conexiones de servicios y requerimientos de ventilación deben ajustarse a los códigos locales y nacionales. Estos códigos tienen prioridad sobre las directrices proporcionadas en este manual.

NOTA: En los EE.UU., la instalación del horno debe ajustarse a los códigos locales. En la ausencia de códigos locales, al Código de Gas Combustible Nacional, ANSI Z223.1. El horno, una vez instalado, debe estar conectado eléctricamente a tierra de acuerdo con los códigos locales, o en la ausencia de códigos locales, el Código Eléctrico Nacional (NEC), o ANSI/NFPA70.

NOTA: En Canadá, la instalación del horno debe ajustarse a los códigos locales. En la ausencia de códigos locales, al Código de Instalación de Gas Natural, CAN/CGA-B149.1, o al Código de Instalación de Gas Propano, CAN/CGA-B149.2, según corresponda. Los hornos de gas y eléctricos, una vez instalados, deben estar conectados eléctricamente a tierra de acuerdo con los códigos locales, o en la ausencia de códigos locales, el Código Eléctrico Canadiense CSA, C22.2.

NOTA: En Australia, la instalación del horno deberá ajustarse a los requisitos de las autoridades apropiadas. Las instalaciones de hornos de gas deberán ajustarse al Código AGA, AG601.

Fig. 2-1 - Juego de Cojines de Base



I. JUEGO DE COJINES DE BASE - ver Figura 2-1

NOTA: Se requiere un Juego de Cojines de Base para cada instalación de Horno Sencillo, Doble, Triple o Cuádruple.

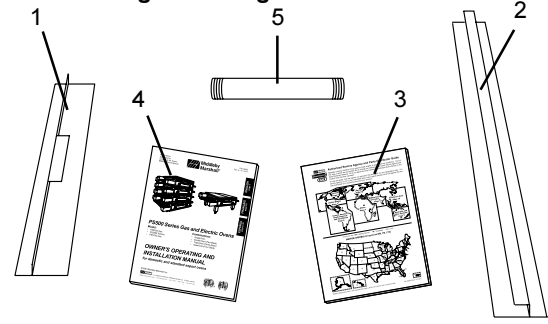
Item	Cantidad						No. de Pieza	Descripción
	Horno sencillo con ext. de pata de 19"	Horno Doble con ext. de pata de 10"	Horno Doble con ext. de pata de 15"	Horno triple con ext. de pata de 4"	Horno triple sin ext. de pata	Horno cuádruple con largueros		
1a	4	--	--	--	--	--	37210-0060	Extensión de pata, 19" (483mm)
1b	--	4	--	--	--	--	37210-0082	Extensión de pata, 10" (254mm)
1c	--	--	4	--	--	--	37210-0057	Extensión de pata, 15" (381mm)
1d	--	--	--	4	--	--	39684	Extensión de pata, 4" (102mm)
2	--	--	--	--	--	4	45209	Balancín
3	--	--	--	--	--	4	45205	Espaciador, rueda - para uso sólo con larguero
4a	4	4	4	4	4	--	37115-0102	Rueda, Giratoria (con husillo)
4b	--	--	--	--	--	2	45357	Rueda, Giratoria (con placa plana)
4c	--	--	--	--	--	2	45664	Rueda, Giratoria (con placa plana y freno)
5a	4	4	4	4	4	--	22450-0028	Pata ajustable, estándar
5b	--	--	--	--	--	4	45206	Pata ajustable, hornos cuádruples
6	1	1	1	1	1	1	22450-0253	Cable de sujeción, 60" (1524mm)
7	1	1	1	1	1	1	21392-0005	Perno de anilla/Tirafondo
8	1	1	1	1	1	1	41643	Cojín de base
--	2	2	2	2	2	2	41582	Cubierta superior (Derecha o Izquierda)
--	8	8	8	8	8	8	21256-0069	Tomillo, sl cab reforzada #10-32 X 1-1/4"
--	16	16	16	16	--	8	21216-0018	Tuerca, cab hex 1/2"-13 X 1-1/4"
--	16	16	16	16	--	8	21416-0003	Arandela plana, 1/2"
--	16	16	16	16	--	8	21426-0004	Arandela de seguridad, 1/2"
--	--	--	--	--	--	16	A27727	Tuerca, cab hex 3/8"-16 X 1"
--	--	--	--	--	--	32	A21924	Arandela plana, 3/8"
--	--	--	--	--	--	16	21172-0004	Tuerca seguridad, hex, 3/8"-16
COMPONENTES ADICIONALES - HORNOS DE GAS								
9	1	1	1	1	1	1	33120-0056	Tubo de gas de 1-1/4" de diámetro X 54" (1.372mm)
10	2	2	2	2	2	2	27271-0004	Abrazadera de tubo, 1-1/2"
11	2	2	2	2	2	2	33120-0055	Boquilla de tubería, 1-1/4" diá. X 3" (76mm) L, NPT
12	2	2	2	2	2	2	23122-0007	Codo de 90° de 1-1/4" de diámetro
13	1	1	1	1	1	1	22361-0003	Tubo de gas de 1-1/4" de diámetro X 72" (1829mm)
--	2	2	2	2	2	2	21292-0001	Tomillo, arandela cab hex #10-16 X 3/4"

II. JUEGO DE INSTALACIÓN - ver Figura 2-2

NOTA: Se requiere un Juego de Instalación para cada cavidad de horno.

Item	Ctdad.	Número de Pieza	Descripción
1	1	35900-0148	Tope Posterior del Transportador
2	1	35000-1103	Tope Final del Transportador
3	1	46450	Manual de Operación e Instalación del Propietario
4	1	1002040	Lista de Agencias de Servicio Autorizadas
COMPONENTES ADICIONALES - HORNO DE GAS			
5	1	33120-0053	Boquilla para el Tubo de Gas

Fig. 2-2 - Juego de Instalación



III. SISTEMA DE VENTILACIÓN

IMPORTANTE

Siempre que los códigos nacionales o locales requieran la instalación de equipos supresores de incendios o de otros equipos suplementarios, NO los instale directamente sobre el horno.

LA INSTALACIÓN DE DICHO EQUIPO SOBRE EL HORNO PUEDE:

- **CANCELAR CERTIFICACIONES DE ORGANISMOS**
- **RESTRINGIR EL ACCESO PARA EL SERVICIO**
- **OCASIONAR GASTOS ADICIONALES DE SERVICIO PARA EL PROPIETARIO**

A. Requisitos

PRECAUCIÓN

Las instalaciones de hornos de gas **REQUIEREN** un sistema de ventilación impulsado mecánicamente con un control de detección eléctrico del aire de escape.

Para las instalaciones de hornos eléctricos **SE RECOMIENDA FIRMEMENTE** la utilización de un sistema de ventilación impulsado mecánicamente.

EL PROPIETARIO DEL HORNO ES RESPONSABLE DE PROPORCIONAR LA VENTILACIÓN APROPIADA PARA EL MISMO.

B. Recomendaciones

TENGA EN CUENTA QUE LAS DIMENSIONES DE LA CAMPANA MOSTRADAS EN LA FIGURA 2-3 SON **SOLAMENTE**

RECOMENDACIONES. CUANDO SE INSTALE EL SISTEMA DE VENTILACIÓN DEBERÁ ATENERSE A LOS CÓDIGOS LOCALES, NACIONALES E INTERNACIONALES. TODOS LOS CÓDIGOS TIENEN PRIORIDAD SOBRE LAS RECOMENDACIONES PRESENTADAS EN ESTE MANUAL.

La velocidad del flujo de aire evacuado mediante el sistema de ventilación puede variar dependiendo de la configuración del horno y del diseño de la campana extractora. Consulte con el fabricante de la campana o con un ingeniero de ventilación sobre estas especificaciones.

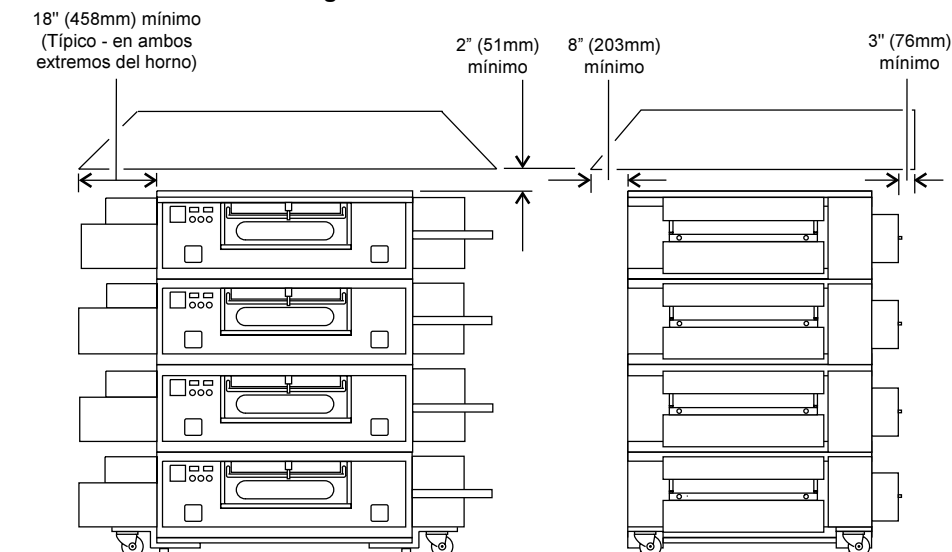
Para evitar una condición de presión negativa en el área de la cocina, se debe inyectar aire de retorno para compensar por el aire evacuado. Una presión negativa en la cocina puede ocasionar problemas relacionados con el calor en los componentes del horno, tal como si no hubiese ninguna ventilación. El mejor método para suministrar aire de retorno es a través del sistema de calefacción, ventilación y aire acondicionado (HVAC). Mediante el sistema HVAC se puede controlar la temperatura del aire tanto para el verano como para el invierno. El aire de retorno también se puede inyectar directamente desde el exterior del edificio, pero pueden haber efectos perjudiciales debidos a temperaturas extremas, calientes o frías, del exterior.

NOTA: El aire proveniente del sistema de impulsión mecánica no debe soplar hacia la abertura de la cámara de horneado. Esto resultaría en un bajo rendimiento del horno.

C. Otros problemas de ventilación

- Las ubicaciones, condiciones o problemas especiales pueden requerir los servicios de un ingeniero o especialista en ventilación.
- La ventilación inadecuada puede impedir el rendimiento del horno.
- Se recomienda revisar el sistema y los conductos de ventilación a intervalos periódicos, tal como lo especifiquen el fabricante de la campana extractora o el ingeniero o especialista en HVAC.

Fig. 2-3 - Sistema de Ventilación



ESPAÑOL

IV. ENSAMBLADO

A. Cojín de base, patas, ruedas y apilado

NOTA: Juego opcional de elevación del apilado (P/N 30580)

El juego opcional de elevación del apilado, P/N 30580, se puede obtener por separado. Este juego proporciona un adaptador de levantamiento completo, específicamente diseñado para apilar las cavidades de los hornos Serie PS500. El juego incluye una cinta de video con instrucciones.

1. Instale los paneles superiores en su sitio sobre la cavidad superior del horno. Siga las instrucciones incluidas con los paneles superiores.

2a. *Instalación de patas/ruedas (estándar) - Hornos sencillos, hornos dobles y hornos triples con extensiones de patas*

- Instale una extensión de pata en cada una de las esquinas de la placa base usando los tornillos de 1/2"-13x1-1/4", las arandelas planas de 1/2", y las arandelas de seguridad de 1/2" suministrados. Ver figura 2-4.
- Instale una de las patas ajustables y una rueda en los orificios en la parte inferior de la extensión de pata. La pata ajustable debe ser instalada en el orificio EXTERIOR (el más próximo a la cara delantera o posterior del horno) La rueda debe ser instalada en el orificio INTERIOR.

2b. *Instalación de patas/ruedas - Hornos triples sin extensiones de patas*

Instale una pata ajustable y una rueda en los agujeros de 3/4" en la parte inferior de la placa base. La pata ajustable debe ser instalada en el orificio EXTERIOR (el más próximo a la cara delantera o posterior del horno) La rueda debe ser instalada en el orificio INTERIOR. Ver figura 2-5.

2c. *Instalación de las patas/ruedas - Hornos cuádruples*

- Instale un balancín en cada esquina de la placa de base usando los tornillos de 1/2"-13x1-1/4", las arandelas planas de 1/2", y las arandelas de seguridad de 1/2" suministrados. Ver figura 2-6.
- Instale las placas espaciadoras y las ruedas en los largueros usando los tornillos de 3/8"-16x1", las arandelas planas de 3/8", y las tuercas hexagonales de 3/8"-16 suministradas en el kit de instalación. Las dos ruedas de bloqueo deben ser instaladas en la parte delantera del horno.
- Instale las patas ajustables en los agujeros en el lado inferior del conjunto del balancín.

3. Instale el cojín de base en la cavidad inferior del horno. Verifique que el perno de anilla soldado al cojín mira hacia la parte posterior del horno.

4. Apile las cavidades del horno. Si fuese necesario, consulte la cinta video con instrucciones que vino con el Juego de Levantamiento del Apilado (P/N 30580).

B. Instalación del cable de sujeción

En un horno equipado con ruedas, se debe instalar un cable de sujeción para limitar el movimiento del artefacto sin depender del conector y dispositivo de desconexión rápida o de su tubería asociada. Un extremo del cable debe ser fijado al perno de anilla en la superficie posterior del cojín de base del horno y el otro se debe anclar a la pared. Ver figura 2-7.

Después de conectar el cable de sujeción, lleve el horno a su ubicación final. Ajuste las secciones inferiores (hex) de las patas, de modo que las ruedas queden fuera de contacto con el piso. En los hornos cuádruples, bloquee las dos ruedas delanteras.

C. Instalación del Transportador

NOTA

Los transportadores de banda doble sólo pueden instalarse desde el extremo del horno con el motor de impulsión.

Los conjuntos de de transportador de banda sencilla pueden insertarse en cualquiera de los extremos del horno. Si se va a instalar desde el final del horno sin el motor impulsor, se debe retirar el conjunto de la rueda dentada motriz.

Figura 2-4 - Patas y ruedas - estándar

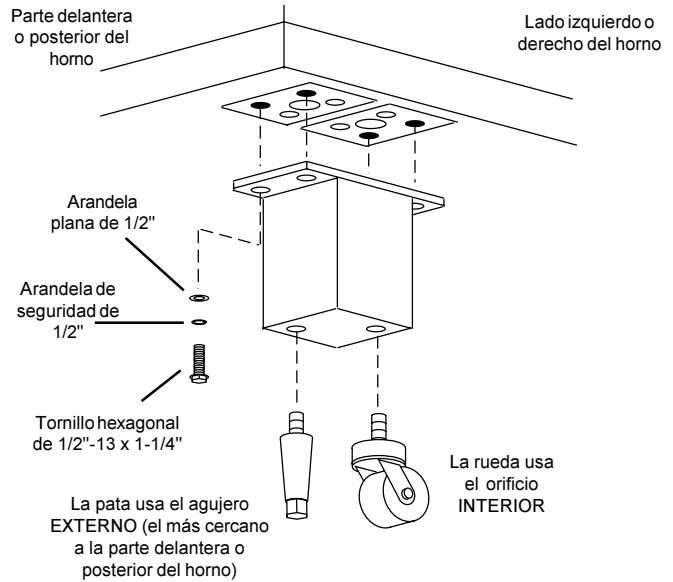


Figura 2-5 - Patas y ruedas para el horno triple sin extensiones de patas

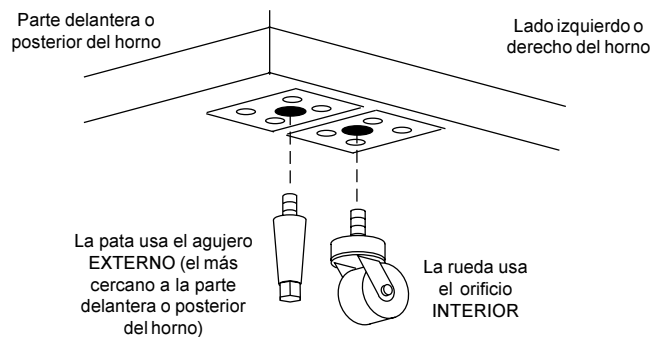
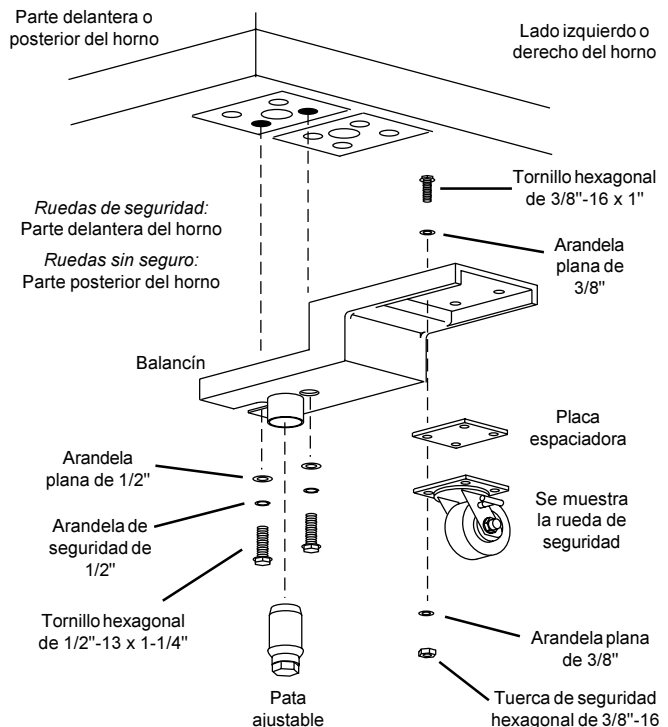


Figura 2-6 - Patas y ruedas para el horno cuádruple



Para retirar la rueda dentada motriz (si fuera necesario), suelte el tornillo en el collar del transportador como se muestra en la Figura 2-8. Luego tire del conjunto de la rueda dentada hacia afuera.

1. Levante el transportador y colóquelo en el horno. Ver figura 2-9.
2. Continúe moviendo el transportador en el horno, hasta que el bastidor sobresalga de igual manera de cada extremo del horno (aproximadamente 18"/457mm).
3. Observe si los retenedores ubicados en la parte inferior del bastidor del transportador descansan firmemente contra las compuertas del extremo inferior, como se ve en la Figura 2-9.
4. Cuando el transportador esté en posición correcta, observe si la banda de transporte se mueve libremente, tirando de ella unos 2 a 3 pies (60 a 90 cm) con sus dedos. El transportador debe moverse libremente.
5. Si retiró la rueda dentada motriz al instalar el transportador, vuelva a instalarla en este punto.
6. Instale la cadena de impulsión entre la rueda dentada motriz del transportador y la rueda dentada del motor. Para instalar la cadena será necesario levantar ligeramente el extremo de impulsión de transportador.
7. Instale la cubierta del motor de impulsión del transportador.
8. Verifique la tensión de la banda de transporte como se indica en la Figura 2-10. La banda se debe levantar entre 3 y 4" (75-100mm). **NO AJUSTE DEMASIADO LA BANDA DE TRANSPORTE.**

NOTA

Si fuera necesario, ajuste la tensión de la banda girando los tornillos de ajuste del transportador, ubicados en el extremo de tensión del transportador. Ver figura 2-10.

9. Si es necesario se pueden añadir o retirar eslabones de la banda de transporte para lograr una deflexión correcta de 3 ó 4" (75 ó 100 mm). Si se deben retirar eslabones de la banda, se pueden volver a conectar al transportador de la siguiente manera:
 - a. Los eslabones del transportador deben quedar orientados tal como se indica en la Figura 2-11.
 - b. El lado liso de la banda de transporte debe quedar hacia ARRIBA.
 - c. Conecte los eslabones maestros internos. Verifique que los eslabones estén orientados de la manera mostrada en la Figura 2-11.
 - d. Conecte los eslabones maestros externos. Observe que los eslabones maestros externos tengan lados derechos e izquierdos. El lado derecho tiene un gancho abierto orientado hacia usted, tal como se indica en la Figura 2-11.
 - e. Verifique la libertad de movimiento de la banda de transporte tirando de ella entre 2 y 3 pies (60 y 90 cm) con los dedos. El transportador debe moverse libremente.
 - f. Regrese al paso 8 anterior para volver a verificar la tensión de la banda.

Figura 2-7 - Instalación del cable de sujeción

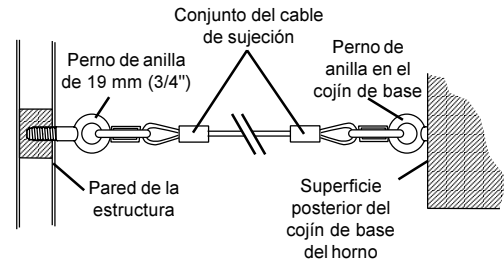
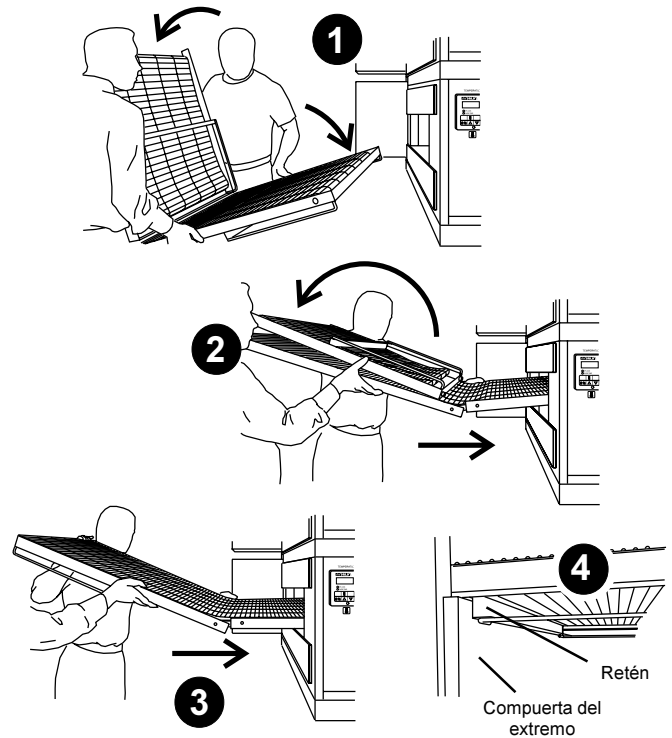


Figura 2-8 - Remoción de la rueda dentada motriz del transportador



Figura 2-9 - Inserción del Transportador



ESPAÑOL

Figura 2-10 - Verificación de la tensión del transportador

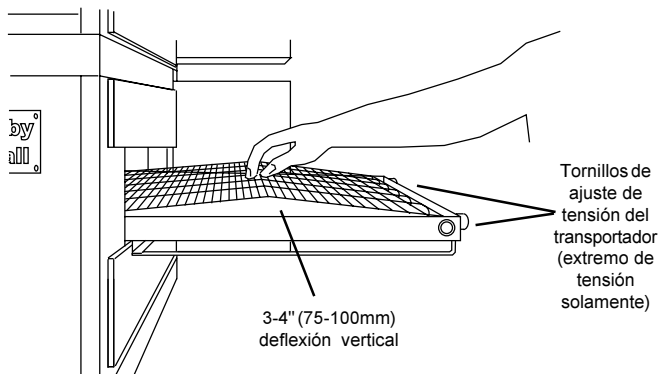
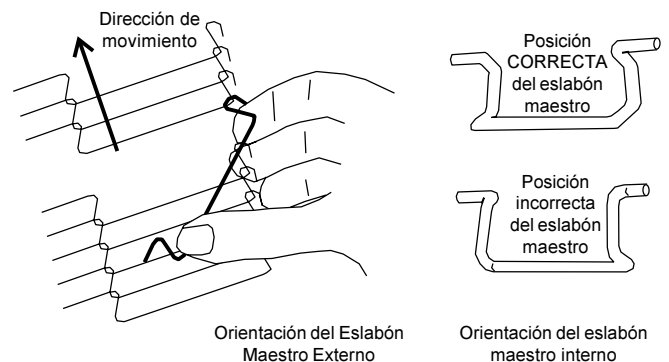


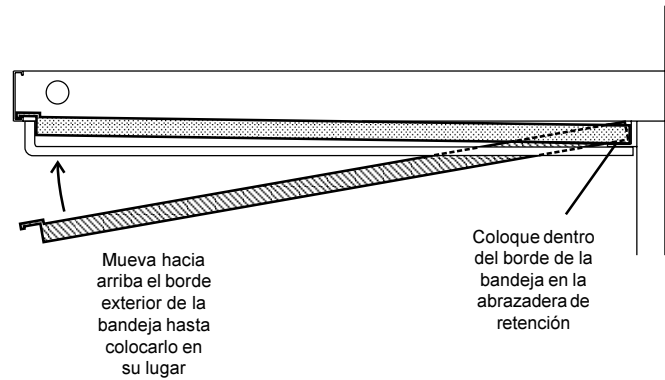
Figura 2-11 - Orientación del Transportador y del eslabón maestro



V. ENSAMBLADO FINAL

1. Instale las bandejas colectoras debajo del transportador, como se muestra en la Figura 2-12. Primero, coloque el borde interior de la bandeja (mostrado en la Figura 2-9). Luego mueva hacia arriba el borde exterior de la bandeja hasta colocarlo en su lugar.
2. Oprima los topes extremo y posterior del transportador sobre el borde del marco del transportador. Ver la Figura 1-1 (en la Sección 1, [Descripción](#)).

Figura 2-12 - Bandejas Colectoras



VI. SUMINISTRO ELÉCTRICO



AVISO

Normalmente las conexiones del sistema de ventilación, suministro eléctrico y suministro de gas son realizadas por personal autorizado por el proveedor, de acuerdo con las estipulaciones del cliente. El instalador autorizado por el fabricante puede llevar a cabo el encendido inicial del horno luego de que se hagan estas conexiones.

NOTA: La instalación del suministro eléctrico debe satisfacer los requisitos de la autoridad correspondiente, tales como el Código Eléctrico Nacional (NEC), ANSI/NFPA70, (EE.UU.); el Código Eléctrico Canadiense, CSA C22.2; el Código Australiano AG601; o demás reglamentos correspondientes.

NOTA: La conexión del suministro eléctrico debe satisfacer todos los requisitos eléctricos nacionales y locales.

Revise la placa informativa del horno antes de realizar cualquier conexión eléctrica. Las conexiones eléctricas deben coincidir con los datos de la placa informativa. La ubicación de dicha placa se muestra en la Figura 1-1 (en la Sección 1, [Descripción](#)).

Se **DEBE** instalar un interruptor de desconexión con fusibles o un disyuntor de circuito principal (suministrado por el cliente) para cada cavidad del horno. Se recomienda que este interruptor/disyuntor tenga capacidad de bloqueo/aviso.

Los conductores de suministro deben ser del tamaño y material recomendados (cobre). Refiérase al diagrama de cableado dentro del compartimento de mecanismos del horno. Las especificaciones eléctricas también están enumeradas en la placa informativa del horno y en la tabla 1-4, [Especificaciones Eléctricas](#) (en la Sección 1, [Descripción](#)).

El horno requiere una conexión a tierra con el tornillo de tierra del horno. En los hornos de gas, el tornillo de tierra se encuentra en la caja de conexiones eléctricas (ver la Figura 2-13). En los hornos eléctricos, el tornillo de tierra se encuentra dentro del compartimento lateral del horno (ver la Figura 2-14). Si fuera necesario, haga que el electricista le proporcione un cable de tierra. ¡NO use el conducto de cableado u otra tubería para las conexiones de tierra!

A. Información Adicional - Hornos de Gas

Las líneas eléctricas entrantes son alimentadas a través del acople de rebose, mostrado en la Figura 2-13. Las conexiones de suministro eléctrico se hacen en el interior de la caja de empalmes eléctricos. Luego, las líneas de potencia se conectan a los circuitos del horno a través de interruptores de seguridad ubicados dentro del compartimento de mecanismos y en el compartimento de cada motor de ventilación. Estos interruptores desconectan la energía eléctrica al horno cuando se abre el Panel de Acceso al Compartimento de Mecanismos O cuando se retira ya sea la cubierta del ventilador o la posterior.

B. Información Adicional - Hornos Eléctricos

Un orificio de 2" (51mm) de diámetro en la pared posterior del compartimento de mecanismos proporciona acceso a las conexiones del suministro eléctrico. Las conexiones de los cables se hacen en realidad en el BLOQUE TERMINAL situado dentro del compartimento lateral del horno.

El uso de cables flexibles para los conductores del suministro de energía eléctrica requiere un accesorio de anclaje contra tirones de 2" (51mm) (no proporcionado con el horno) para permitir el acceso seguro al bloque de terminales.

C. Conexión

Refiérase al diagrama de cableado dentro del compartimento de mecanismos del horno para determinar las conexiones correctas para las líneas de suministro eléctrico. Conecte el suministro como se indica en el diagrama.

PRECAUCIÓN

Las condiciones de la garantía del horno requieren que todos los trabajos de puesta en marcha, conversión y mantenimiento sean ejecutados por un Agente Autorizado de Servicio de Middleby Marshall.

Figura 2-13 - Ubicaciones de las conexiones de servicio - Hornos de gas

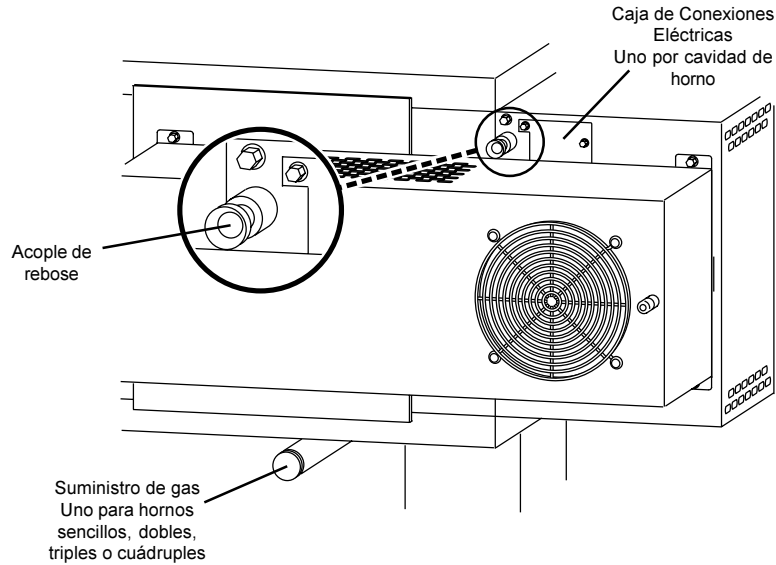
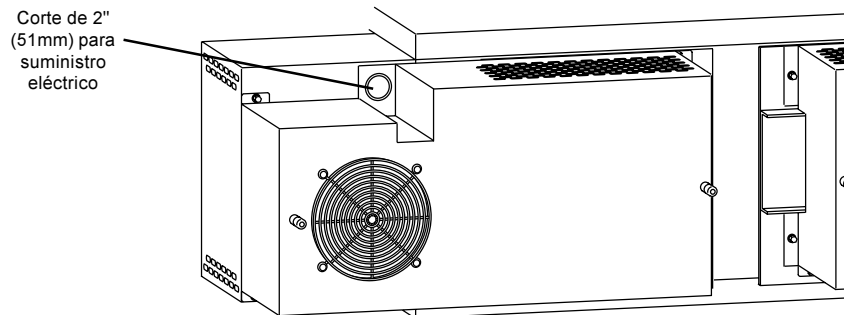


Figura 2-14 - Ubicaciones de las conexiones de servicio - Hornos de gas



VII. SUMINISTRO DE GAS

PRECAUCIÓN

DURANTE LAS PRUEBAS DE PRESIÓN OBSERVE LO SIGUIENTE:

1. El horno y su válvula de cierre individual deben estar desconectados del sistema de tuberías de suministro de gas durante cualquier prueba de presión del sistema en la que la presión de prueba sea mayor a 1/2 psi (3.45 kPa).
2. El horno debe ser aislado del sistema de tuberías de suministro de gas cerrando la válvula de cierre manual durante cualquier prueba de presión del sistema de tuberías de suministro de gas en la que la presión de prueba sea igual o inferior a 1/2 psi (3.45 kPa).

3. Si la presión de entrada es superior a 14" W.C. (35mbar), se DEBE instalar un regulador separado en la línea ANTES de la válvula de cierre individual del horno.

AVISO: Para evitar daños al regulador de la válvula de control durante el encendido inicial del gas, es muy importante abrir la válvula de cierre manual muy lentamente.

Luego del encendido inicial del gas, la válvula de cierre manual debe permanecer abierta, a excepción de cuando se hagan pruebas de presión como las indicadas en los pasos anteriores, o cuando sea necesario durante el mantenimiento.

A. Recomendaciones de instalación interna de líneas de servicio de gas

SE RECOMIENDA FIRMEMENTE ajustarse las siguientes especificaciones del sistema de gas. Si no se atiende a estas recomendaciones, el rendimiento del horno podría verse afectado.

Contador de gas

- Una o dos cavidades del horno: contador 750 pies cúbicos/hora
- Tres o cuatro cavidades del horno: contador 1200 pies cúbicos/hora

Línea de gas

- LÍNEA EXCLUSIVA desde el contador de gas al horno
- Tubería para gas natural de 2-1/2" (63,5mm)
- Tubería para gas propano de 2" (50,8mm)
- Longitud máxima: 200 pies (61 m). Cada codo de 90° equivale a 7 pies (2.13 m) de tubería.

B. Conexión

Verifique los requisitos del suministro de gas antes de llevar a cabo la conexión del servicio de gas. Los requisitos del suministro de gas están enumerados en la placa informativa del horno y en la tabla 1-3, Especificaciones del Orificio y Presión del Gas (en la Sección 1, Descripción).

Lea la placa informativa para determinar el tipo de gas (Propano o Natural) a utilizar con el horno.

Refiérase a las instrucciones en el paquete del tubo de gas (incluido en el Juego de Instalación) antes de conectar la línea de gas. En la Figura 2-15; se muestra un método de conexión de la línea de gas, sin embargo es obligatorio cumplir con los estándares y reglamentos correspondientes.

Las lecturas de presión de entrada, regulada y del piloto se pueden tomar usando un manómetro de tubo en "U" en los puntos de lectura mostrados en la Figura 2-16.

NOTA

La instalación debe ajustarse a los códigos locales o, en su ausencia, a la más reciente edición del Código Nacional de Gas Combustible, ANSI Z223.1.

En Australia, la instalación debe ajustarse al Código AGA AG601 y a cualquiera de los requisitos de la autoridad correspondiente.

CANADÁ:

CAN/CGA-B 149.1 Código de Instalación de Gas Natural
CAN/CGA-B 149.2 Código de Instalación de Gas Propano

Existen ciertas normas de seguridad para la instalación de hornos de gas; Refiérase al principio de la Sección 2 para una lista de los estándares de instalación. Además, debido a que el horno está equipado con ruedas, la conexión de la línea de gas debe hacerse con un conector que cumpla con el Estándar para Conectores para Dispositivos de Gas Móviles, ANSI Z21.69 (en EE.UU.), o, si corresponde, Conectores para

Dispositivos de Gas Móviles, CAN/CGA-6.16 (en Canadá), así como con un dispositivo de desconexión rápida que cumpla con el Estándar para Dispositivos de Desconexión Rápida para Uso con Gases Combustibles, ANSI Z21.41 (en EE.UU.), o, si corresponde, Dispositivos de Desconexión Rápida para Uso con Gases Combustibles, CAN1-6.9 (en Canadá).

C. Conversión Según el Tipo de Gas

Siempre que lo permitan los códigos locales y nacionales, es posible convertir hornos de gas natural a propano, o de propano a natural. Use el Juego de Conversión de Gas de Middleby Marshall para el modelo de horno específico.

PRECAUCIÓN

Las condiciones de la garantía del horno requieren que todos los trabajos de puesta en marcha, conversión y mantenimiento sean ejecutados por un Agente Autorizado de Servicio de Middleby Marshall.

Figura 2-15 - Instalación del Tubo Flexible de Gas

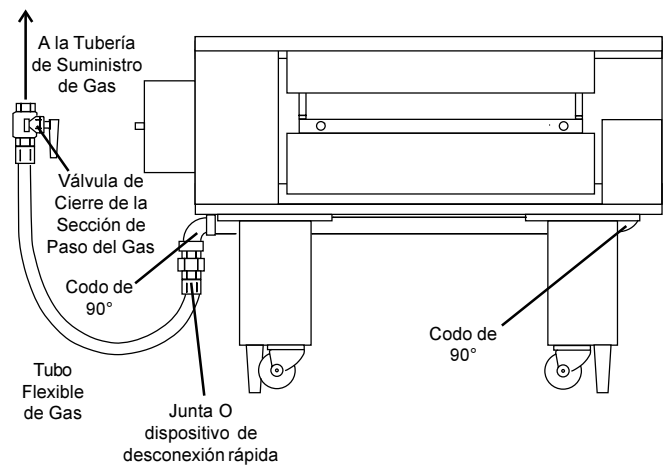
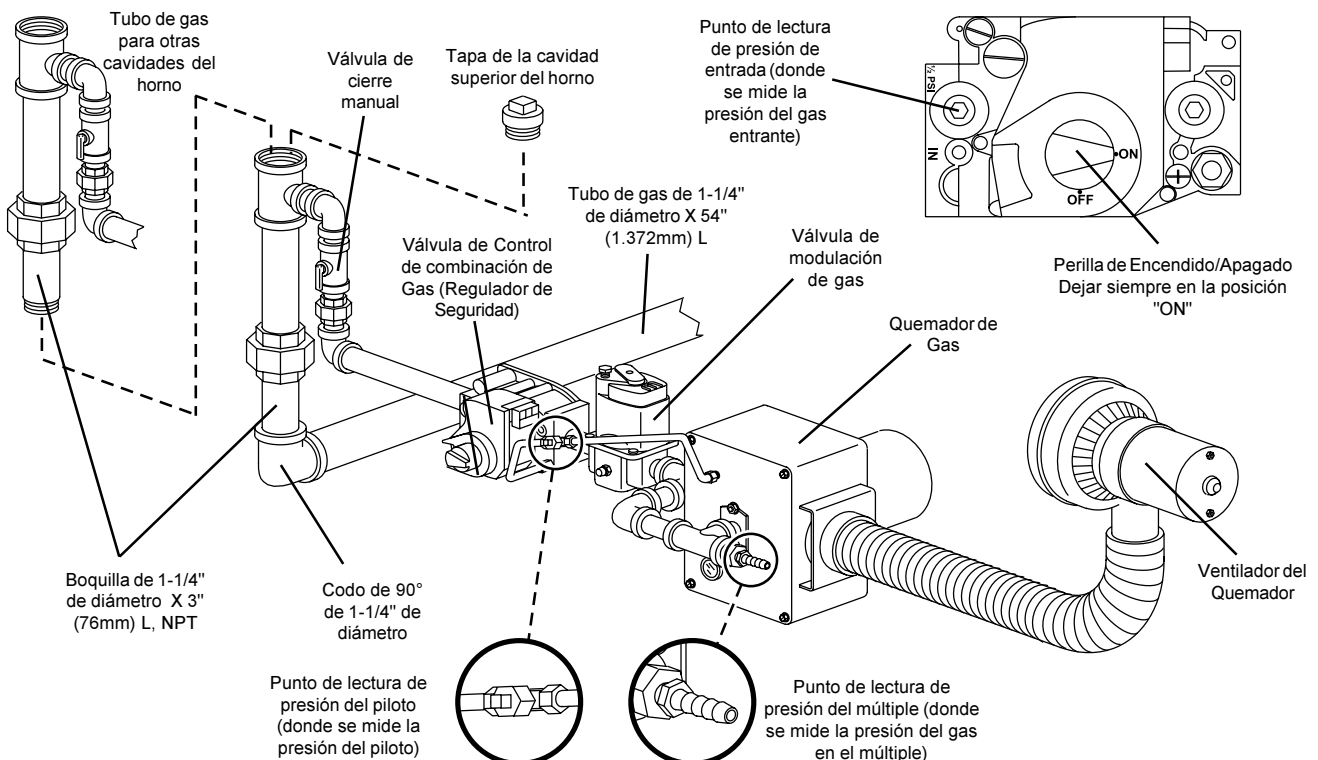


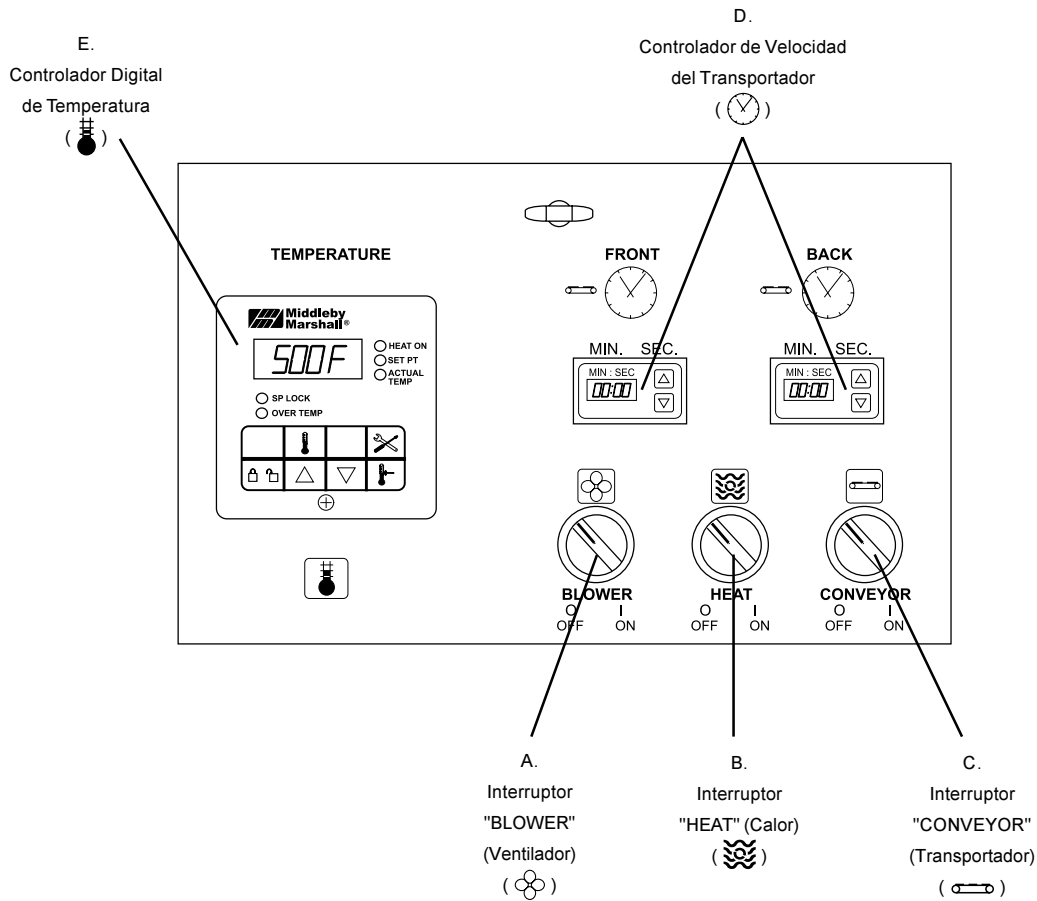
Figura 2-16 - Conjunto de Quemador y Tubería de Gas



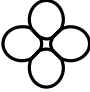

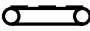


SECCIÓN 3 - OPERACIÓN

I. UBICACIÓN Y DESCRIPCIÓN DE LOS CONTROLES

Fig. 3-1 - Panel de Control



ESPAÑOL

- A.  **Interruptor "BLOWER" (Ventilador):** Enciende y apaga los ventiladores y los ventiladores de enfriamiento. El interruptor HEAT (Calor) no tiene efecto, a no ser que el interruptor BLOWER esté en la posición "ON".
- B.  **Interruptor "HEAT" (Calor):** Permite que se active el quemador o elementos térmicos, según sea apropiado para el modelo de horno. La activación es determinada por los ajustes en el Controlador Digital de Temperatura.
- C.  **Interruptor "CONVEYOR" (Transportador):** Enciende y apaga el motor de impulsión del transportador.
- D.  **Controlador de Velocidad del Transportador:** Ajusta y muestra el tiempo de horneado. Los hornos de banda sencilla tienen un controlador. Los hornos de banda doble tienen un controlador para cada banda, marcados "FRONT" (Delantera) y "BACK" (Posterior).
- E.  **Controlador Digital de Temperatura:** Vigila continuamente la temperatura del horno. Los ajustes en el controlador digital de temperatura controlan la activación del quemador o elementos térmicos. Los controles del teclado permiten que el operador seleccione la temperatura de cocción y que vigile la operación del horno.

NO MOSTRADO:

- F. **Interruptor de Seguridad del Panel de Acceso al Compartimento de Mecanismos:** Desconecta la energía eléctrica a los controles y a los ventiladores al abrir el panel de acceso del compartimento de mecanismos. El panel solamente debe ser abierto por el personal de servicio autorizado.

II. OPERACIONES NORMALES - PASO A PASO

A. PROCEDIMIENTO DIARIO DE ENCENDIDO

1. Verifique que el disyuntor/conector con fusible se encuentre en la posición ON. Verifique que la ventana esté cerrada.

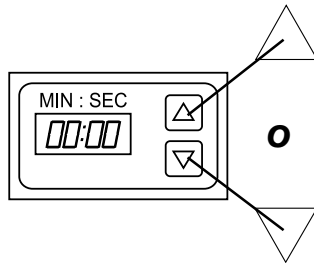
2. Coloque el interruptor "BLOWER" (Ventilador) (☼) en la posición "ON" ("I").



3. Coloque el interruptor "CONVEYOR" (Transportador) (⇌) en la posición "ON" ("I").

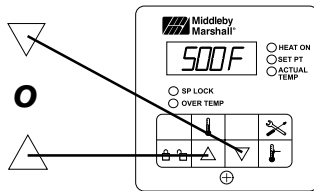
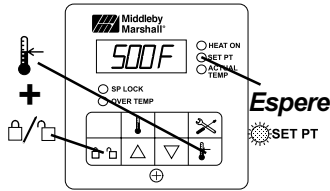


4. Si fuera necesario, ajuste la velocidad del transportador oprimiendo los botones Δ o ∇ en el controlador de velocidad del transportador para cambiar el tiempo de horneado mostrado.

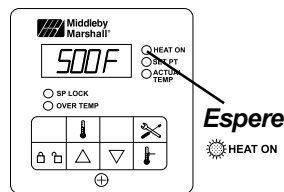


5. Ajuste el controlador de temperatura a la temperatura deseada.

- Presione las teclas Set Point (Punto prefijado) y Unlock (Abrir) al mismo tiempo. Espere a que la luz "SET PT" se encienda.
- Presione las flechas Arriba y Abajo según sea necesario para ajustar el punto prefijado.

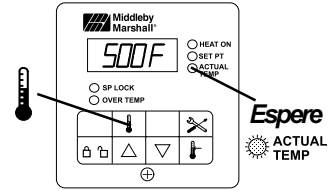


6. Coloque el interruptor "HEAT" (Calor) (☼) en la posición "ON" ("I"), y espere a que la luz "HEAT ON" se encienda.



7. Espere a que el horno se caliente a la temperatura prefijada. Las temperaturas prefijadas más altas requerirán una espera más larga. El horno puede alcanzar una temperatura de 500°F (232°C) en aproximadamente 5 minutos.

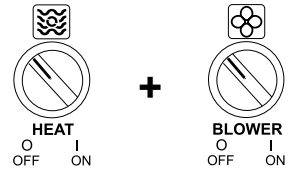
8. (Opcional) Presione la tecla de "Temperatura" (☼) para mostrar la Temperatura Actual en la pantalla y espere a que la luz "ACTUAL TEMP" se encienda. Esto le permite controlar la temperatura del horno mientras asciende al punto prefijado.



9. Permita que el horno se caliente durante 10 minutos una vez que haya llegado a la temperatura prefijada.

B. PROCEDIMIENTO DIARIO DE APAGADO

1. Coloque los interruptores "HEAT" (Calor) (☼) y "BLOWER" (Ventilador) (☼) en la posición "OFF" ("O"). OBSERVE que los ventiladores permanecerán funcionando hasta que el horno se enfríe a menos de 200°F (93°C).



2. Asegúrese de que no queden productos en el transportador dentro del horno. Coloque el interruptor "CONVEYOR" (Transportador) (⇌) en la posición "OFF" ("O").



3. Abra la ventana para permitir que el horno se enfríe más rápidamente.

4. Una vez que el horno se ha enfriado y los ventiladores se han apagado, coloque los disyuntores/conectores con fusible en la posición OFF.

IMPORTANTE

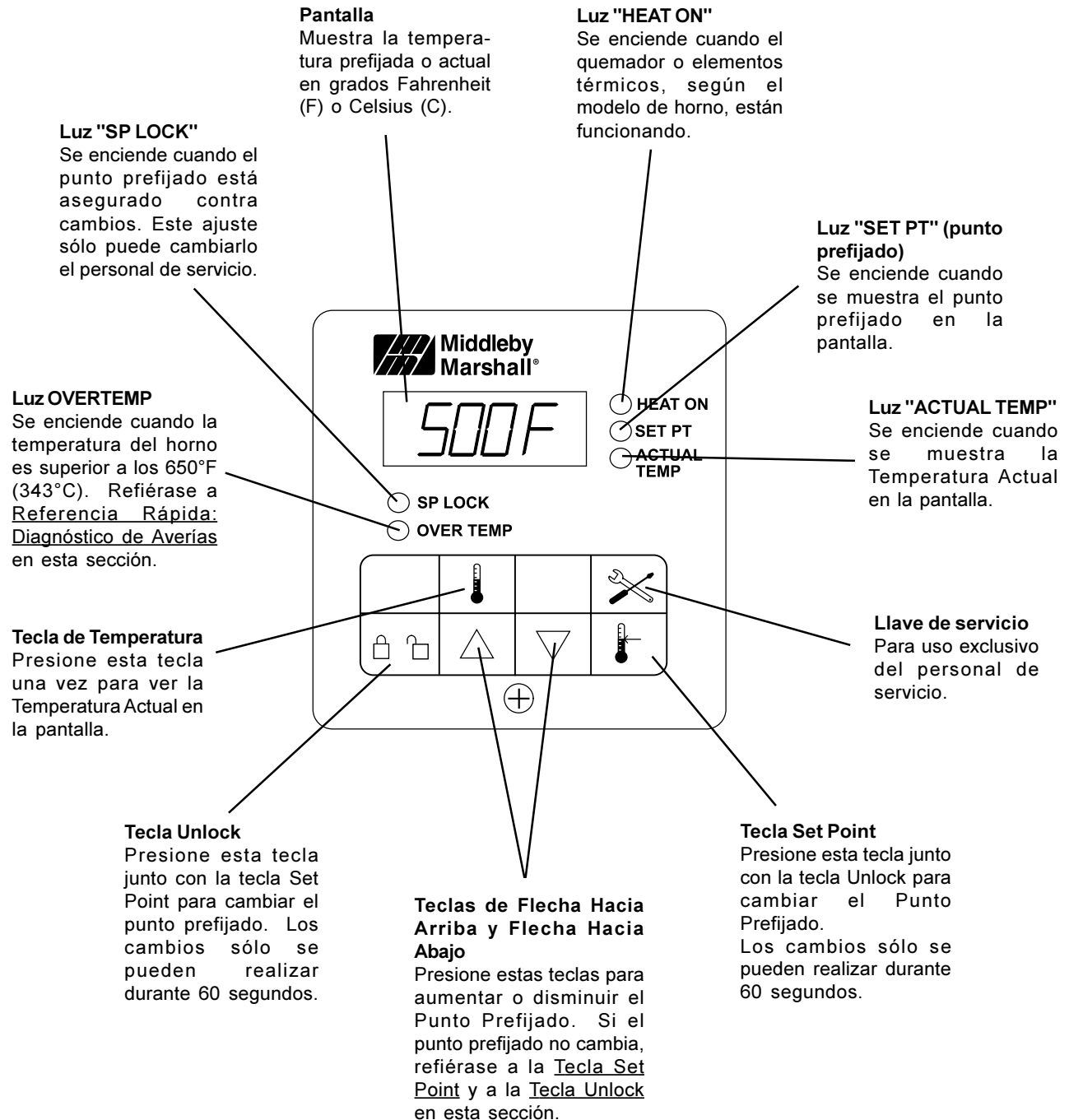
En los hornos de gas, si la luz indicadora "HEAT ON" no se enciende, o si el horno no calienta, el quemador de gas puede no haberse encendido. Coloque los interruptores "HEAT" (Calor) (☼), "BLOWER" (Ventilador) (☼), y "CONVEYOR" (Transportador) (⇌) en la posición "OFF" ("O"). **Espere POR LO MENOS CINCO MINUTOS antes de volver a arrancar el horno.** Luego repita el procedimiento Diario de Encendido.

PRECAUCIÓN

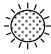
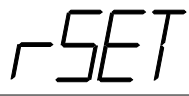
En caso de falla eléctrica, coloque todos los interruptores en la posición "OFF" ("O"), abra la ventana del horno y retire el producto. Después de que vuelva la electricidad, lleve a cabo el procedimiento normal de encendido. **SI EL HORNO HA ESTADO APAGADO DURANTE MENOS DE 5 MINUTOS, ESPERE POR LO MENOS CINCO MINUTOS ANTES DE VOLVER A ARRANCAR EL HORNO.**

El quemador no funcionará, ni el gas fluirá por el quemador sin energía eléctrica. No se debe intentar operar el horno durante una falla eléctrica.

III. REFERENCIA RÁPIDA: CONTROLADOR DIGITAL DE TEMPERATURA



IV. REFERENCIA RÁPIDA: DIAGNÓSTICO DE AVERÍAS

SÍNTOMA	PROBLEMA	SOLUCIÓN
 OVERTEMP La luz está encendida, el producto alimenticio está poco cocido	La temperatura del horno excedió de 650°F (343°C) y el quemador o elementos térmicos se apagaron automáticamente.	<ul style="list-style-type: none"> Siga los procedimientos indicados en Procedimientos Diarios de Apagado esta sección para apagar el horno. Póngase en contacto con su Agente de Servicio Autorizado de Middleby Marshall para determinar y corregir la causa de la condición y evitar daños al horno.
El horno no se enciende	Es posible que la electricidad no esté llegando al horno, o que los controles se hayan ajustado incorrectamente.	<ul style="list-style-type: none"> Verifique que el disyuntor/conector con fusible esté activado. Verifique que el interruptor "BLOWER" (Ventilador) (☼) esté en la posición "ON" ("I"). El quemador no puede activarse hasta que los ventiladores estén funcionando.
El horno se apaga poco después de que se enciende (solamente hornos de gas)	El quemador de gas no se encendió dentro de los primeros 90 segundos tras colocar el interruptor "HEAT" (Calor) (☼) en la posición "ON" ("I"). Esto activa automáticamente un modo automático de cancelación.	<ul style="list-style-type: none"> Coloque los interruptores "HEAT" (Calor) (☼), "BLOWER" (Ventilador) (☼), y "CONVEYOR" (Transportador) (↔) a la posición "OFF" ("O"). Espere POR LO MENOS CINCO MINUTOS antes de volver a arrancar el horno Repita el Procedimiento diario de encendido.
 aparece en la pantalla, el horno no calienta	El horno no alcanzó los 200°F (93°C) 15 minutos después del encendido y el horno ha dejado de calentarse.	<ul style="list-style-type: none"> Coloque los interruptores "HEAT" (Calor) (☼), "BLOWER" (Ventilador) (☼), y "CONVEYOR" (Transportador) (↔) a la posición "OFF" ("O"). Espere POR LO MENOS CINCO MINUTOS antes de volver a arrancar el horno Repita el Procedimiento diario de encendido.
El horno no calienta	Es posible que los controles estén ajustados incorrectamente.	<ul style="list-style-type: none"> Verifique que el Punto de Ajuste esté correctamente fijado. Verifique que los interruptores "BLOWER" (Ventilador) (☼) y "HEAT" (Calor) (☼) estén en la posición "ON" ("I"). Si el horno todavía no se calienta, coloque los interruptores "HEAT" (Calor) (☼), "BLOWER" (Ventilador) (☼), y "CONVEYOR" (Transportador) (↔) en la posición "OFF" ("O"). Espere POR LO MENOS CINCO MINUTOS antes de volver a arrancar el horno Repita el Procedimiento diario de encendido. Verifique que la temperatura esté por encima de los 200°F (93°C).
El horno funciona, pero sale poco aire o no sale aire de los dedos de aire	Es posible que los dedos de aire hayan sido reensamblados incorrectamente después de limpiarlos.	<ul style="list-style-type: none"> Apague el horno y permita que se enfríe. Desconecte el suministro de energía eléctrica al horno. Refiérase a la Sección 4, Mantenimiento, para instrucciones sobre cómo reensamblar los dedos de aire.
El transportador se mueve bruscamente o no se mueve	El transportador puede haberse atascado con un objeto en el horno, o es posible que la tensión de la banda de transporte o de la cadena de impulsión sea incorrecta.	<ul style="list-style-type: none"> Apague el horno y permita que se enfríe. Desconecte el suministro de energía eléctrica al horno. Verifique que el transportador no esté bloqueado con algún objeto dentro del horno. Refiérase a la Sección 4, Mantenimiento, para las instrucciones sobre cómo revisar la tensión del transportador y de la cadena de impulsión.
Los alimentos están demasiado o poco cocidos	Es posible que los controles estén ajustados incorrectamente.	<ul style="list-style-type: none"> Verifique que la temperatura y tiempo de horneado ajustados sean correctos.

ESPAÑOL

SI NO SE RESUELVE EL PROBLEMA SIGUIENDO ESTOS PASOS, PÓNGASE EN CONTACTO CON SU AGENTE DE SERVICIO AUTORIZADO DE MIDDLEBY MARSHALL. CON SU HORNO SE INCLUYE UNA LISTA DE AGENCIAS DE SERVICIO AUTORIZADAS.

SECCIÓN 4 - MANTENIMIENTO

AVISO

Antes de realizar CUALQUIER procedimiento de limpieza o servicio del horno, haga lo siguiente:

1. Apague el horno y permita que se enfríe. NO le preste servicio al horno mientras se encuentre tibio.
2. Desconecte el(los) disyuntor(es) del suministro de energía eléctrica y desconecte el suministro eléctrico al horno.
3. Si fuera necesario mover el horno para limpiarlo o para prestarle servicio, desconecte el suministro de gas antes de mover el horno.

Cuando complete todos los procedimientos de limpieza y servicio del horno:

1. Si movió el horno para darle servicio, devuélvalo a su ubicación original.
2. Para los hornos de gas, vuelva a conectar el suministro de gas
3. Vuelva a conectar el suministro eléctrico.
4. Si el cable de sujeción fue desconectado para limpiar o prestar servicio al horno, vuelva a conectarlo ahora.
5. Para los hornos de gas, abra la válvula de seguridad de la sección de paso. Pruebe las conexiones de las tuberías de gas para ver si hay fugas, utilizando productos de prueba aprobados o una solución espesa de agua jabonosa.
6. Active los disyuntores del suministro eléctrico.
7. Lleve a cabo el procedimiento de encendido normal.

AVISO

Este horno contiene partes móviles y puntos de descarga eléctrica que pueden ocasionar lesiones. Desconecte y asegure/ identifique el suministro eléctrico ANTES de desensamblar, limpiar o dar servicio a cualquier horno. Nunca desensamble o limpie un horno con el interruptor BLOWER (☼) o cualquier otro circuito del horno encendido.

PRECAUCIÓN

NUNCA use una manguera de agua o equipo de limpieza de vapor a presión para limpiar este horno. NO use cantidades excesivas de agua, para evitar saturar el material aislante del horno. NO use un limpiador de hornos cáustico que podría dañar las superficies de la cámara de horneado revestidas de aluminio.

NOTA

CUALQUIER pieza de repuesto que se encuentre en el interior del horno, SÓLO puede ser reemplazada por un Agente de Servicio Autorizado de Middleby Marshall. Se recomienda firmemente que los procedimientos de mantenimientos trimestrales y semestrales descritos en esta sección sean llevados a cabo SÓLO por un agente de servicio autorizado por Middleby Marshall.

I. MANTENIMIENTO - DIARIO

- Verifique que el horno esté frío y que la energía esté desconectada, tal como se describe en la advertencia al comienzo de esta Sección.
- Limpie el exterior del horno con un paño y detergente suaves.
- Limpie los ventiladores de enfriamiento delanteros como sigue:
 - Quite la rejilla de protección y límpiela con un paño. Ver figura 4-1.
 - Retire el filtro de espuma e inspecciónelo. Si tiene polvo, sacúdalo enérgicamente. Si tiene suciedad o grasa, lávelo con agua templada y jabón. Enjuague el filtro, escúrralo para eliminar la mayor cantidad de agua posible y permita que se seque completamente antes de instalarlo.
 - Cuando el filtro esté seco, vuelva a instalarlo junto con la rejilla.
- Limpie el protector del motor y las rejillas posteriores usando un cepillo con cerdas de nilón recias. Refiérase a la Figura 4-2 para ver las ubicaciones de las rejillas.
- Verifique que TODOS los ventiladores de enfriamiento estén funcionando debidamente.

PRECAUCIÓN

Si alguno de los ventiladores de enfriamiento no funciona correctamente, debe ser reemplazado INMEDIATAMENTE. La operación del horno sin enfriamiento adecuado puede dañar los componentes internos del horno.

- Limpie las bandas del transportador con una escobilla dura de nilón. Esto es más fácil de hacer si permite que el transportador funcione mientras usted se coloca en el extremo de salida del transportador y limpia las migajas del transportador mientras se mueve.
- Retire y limpie las bandejas colectoras. Cuando vuelva a instalar las bandejas, refiérase a la Figura 2-12 (en la Sección 2, Instalación).

Figura 4-1 - Ventiladores de enfriamiento delanteros

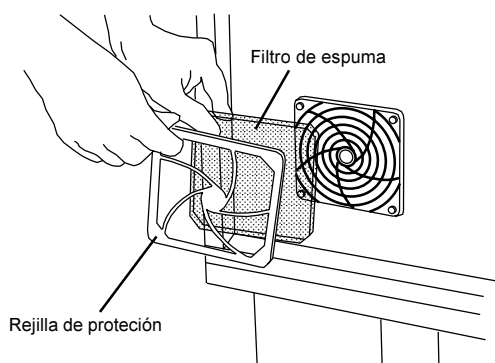
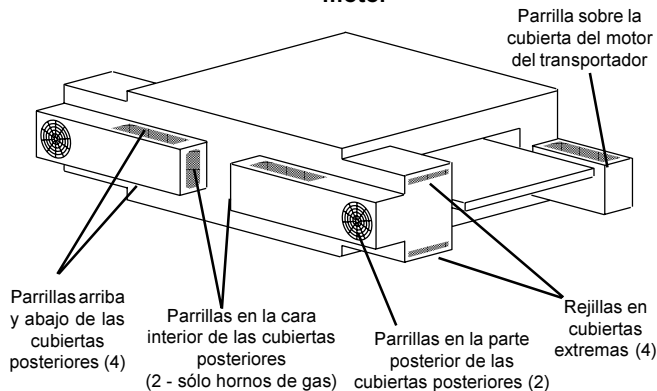


Figura 4-2 - Rejillas posteriores y rejilla del protector del motor



II. MANTENIMIENTO - MENSUAL

NOTA

Quando retire el transportador, refiérase a la Figura 2-9 (en la Sección 2, Instalación).

- A. Verifique que el horno esté frío y que la energía esté desconectada, tal como se describe en la advertencia al comienzo de esta Sección.
- B. Retire las bandejas colectoras y el protector del motor de impulsión del horno.
- C. Levante ligeramente el extremo de impulsión del transportador y empújelo hacia adelante dentro del horno. Esto creará suficiente holgura en la cadena de impulsión. Luego retire la cadena de impulsión del piñón del transportador.
- D. Deslice el transportador fuera del horno, plegándolo al retirarlo.

NOTA

Los transportadores de banda doble solamente pueden retirarse desde el extremo del horno con el motor de impulsión.

Los conjuntos de transportadores de una sola banda pueden ser retirados desde cualquiera de los extremos del horno. Si se va a retirar el transportador desde el extremo del horno sin el motor de impulsión, retire el piñón del motor de impulsión como se describe en las instrucciones de Instalación del Transportador (en la Sección 2, Instalación).

- E. Retire las compuertas del extremo del horno. Las compuertas de los extremos se muestran en la Figura 1-1 (en la Sección 1, Descripción).
- F. Deslice los dedos de aire y las placas ciegas fuera del horno, tal como se muestra en la Figura 4-3. AL IR RETIRANDO CADA DEDO O PLACA, MÁRQUELOS CON UN "CÓDIGO DE UBICACIÓN" para asegurarse de que puede reinstalarlos correctamente.

Ejemplos de marcas:

(Hilera superior)	T1	T2	T3	T4	T5	T6
(Hilera inferior)	B1	B2	B3	B4	B5	B6

- G. Desensamble los dedos de aire en la forma indicada en la Figura 4-4. AL DESENSAMBLAR CADA DEDO, MARQUE EL "CÓDIGO DE UBICACIÓN" EN CADA UNA DE SUS TRES PIZAS. Estole ayudará a reensamblar los dedos de aire correctamente.

PRECAUCIÓN

Un reensamblado incorrecto de los dedos de aire cambiará las propiedades de horneado del horno.

- H. Limpie los componentes de los dedos de aire y el interior de la cámara de horneado usando una aspiradora y un paño húmedo. Refiérase a las precauciones para limpieza en las advertencias enmarcadas al comienzo de esta Sección.
- I. Vuelva a ensamblar los dedos de aire. Luego reinstálelos en el horno usando el "código de ubicación" como guía.
- J. Vuelva a colocar las compuertas del extremo del horno.
- K. Vuelva a ensamblar el transportador en el horno. Si retiró la rueda dentada motriz al instalar el transportador, vuelva a instalarla en este punto.
- L. Vuelva a colocar la cadena de impulsión.
- M. Verifique la tensión de la banda del transportador como se muestra en la Figura 2-10 (en la Sección 2, Instalación). La banda debe poder levantarse entre 3-4" (75-100mm). NO AJUSTE DEMASIADO LA BANDA DE TRANSPORTE. Si fuera necesario, ajuste la tensión de la banda girando los tornillos de ajuste del transportador, ubicados en el extremo de tensión del transportador.
- N. Reemplace las bandejas colectoras y el protector del motor de impulsión.

Figura 4-3 - Remoción de los dedos de aire y las placas

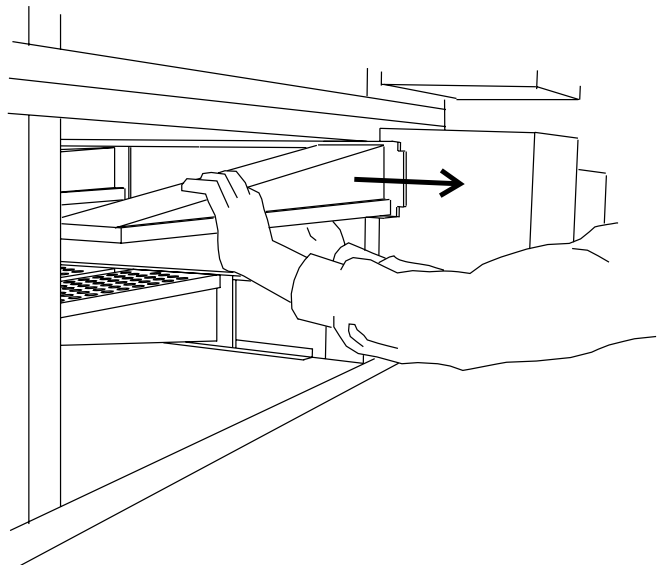
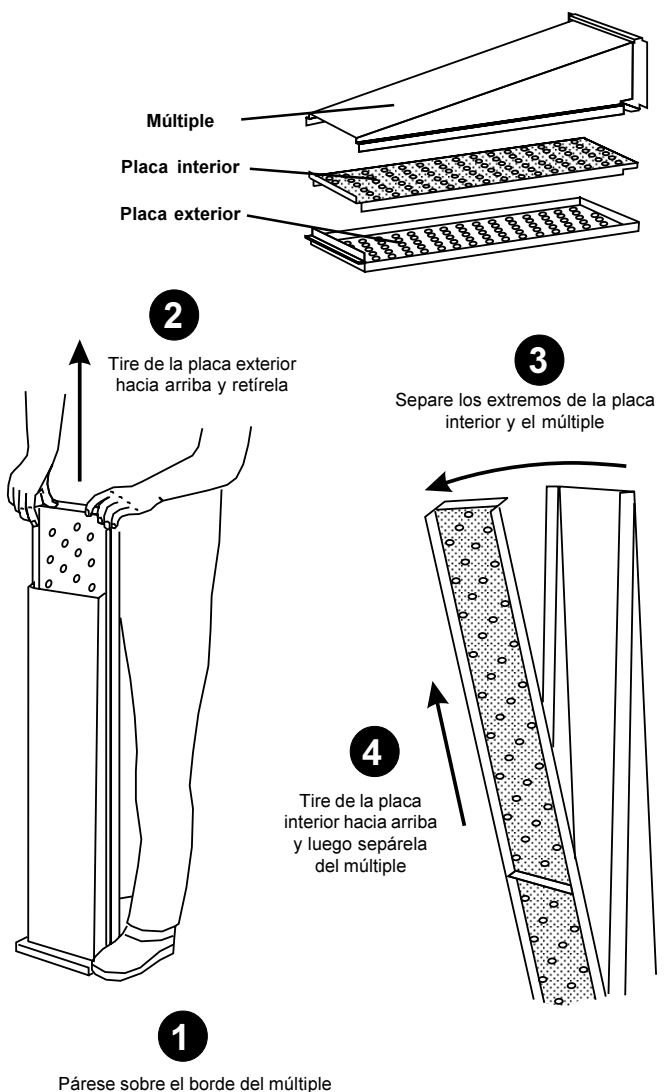


Figura 4-4 - Desensamblado de los dedos de aire



III. MANTENIMIENTO - TRIMESTRAL

- Verifique que el horno esté frío y que la energía esté desconectada, tal como se describe en la advertencia al comienzo de esta Sección.
- Con una aspiradora de taller limpie ambos motores de ventilación y sus compartimentos adyacentes.
- Ajuste todos los tornillos de la terminal de control eléctrico.
- Desensamble y Limpieza de la Banda Doble**
SOLAMENTE para los hornos de banda doble, desarme, limpie y lubrique los componentes del eje del transportador como se indica a continuación.

- Retire el protector del motor, las extensiones del transportador y el transportador como se indica en la Parte II de Mantenimiento Mensual.
- Retire los eslabones maestros de cada banda de transporte. Luego enrolle las bandas a lo largo del transportador para retirarlas del bastidor.
- Retire los dos tornillos de ajuste del transportador del extremo de tensión del bastidor del transportador, como se muestra en la Figura 4-5.
- Retire el conjunto del eje loco del transportador.
- Separe las dos secciones del eje loco. Limpie bien los ejes usando un paño. Luego lubrique el eje extendido y el interior del eje hueco usando un lubricante ligero de calidad apropiada para alimentos, aprobado por la FDA.

PRECAUCIÓN

NO lubrique los ejes con WD40 o ningún producto similar. Esto puede ocasionar el desgaste rápido de los ejes.

- Antes de volver a ensamblar los ejes en el bastidor del transportador, verifique que estén correctamente orientados. Recuerde que los hornos de banda doble de ancho desigual SIEMPRE deben tener la banda delgada hacia el frente del horno.
- Vuelva a ensamblar el eje loco en el transportador. Asegúrese de que la arandela de bronce esté en su lugar entre las dos secciones del eje. Ver figura 4-7.
- Reemplace los tornillos de ajuste del transportador como se muestra en la Figura 4-5. Para permitir la instalación posterior de la banda del transportador, no apriete los tornillos en este momento.
- Suelte el tornillo de fijación en las dos ruedas dentadas motrices del transportador. Luego retire las ruedas dentadas del eje.
- Suelte el tornillo de fijación del collar de seguridad, como se indica en la Figura 4-6.
- Empuje el eje impulsor hacia la derecha, luego levántelo hasta que quede libre del bastidor del transportador. Luego desarme y lubrique las dos secciones del eje impulsor como se describe en el Paso 5.
- Antes de volver a ensamblar los ejes en el bastidor del transportador, verifique que estén correctamente orientados. Recuerde que los hornos de banda doble de ancho desigual SIEMPRE deben tener la banda delgada hacia el frente del horno.
- Vuelva a ensamblar el eje impulsor en el transportador. Verifique que el espaciador de nilón esté en posición, como se muestra en la Figura 4-7. Así mismo, verifique que la arandela de bronce se encuentre en posición, entre las dos secciones del eje.
- Reinstale las ruedas dentadas motrices. Vuelva a ensamblar las bandas y el eslabón maestro en el transportador y coloque el transportador en el horno.

- Vuelva a ensamblar el protector del motor y las extensiones del transportador en el horno.
- Verifique la tensión de la banda de transporte. La banda debe poder levantarse entre 3-4" (75-100mm). Si fuera necesario, ajuste la tensión de la banda girando los tornillos de ajuste del transportador.

Figura 4-5 - Eje loco de banda doble

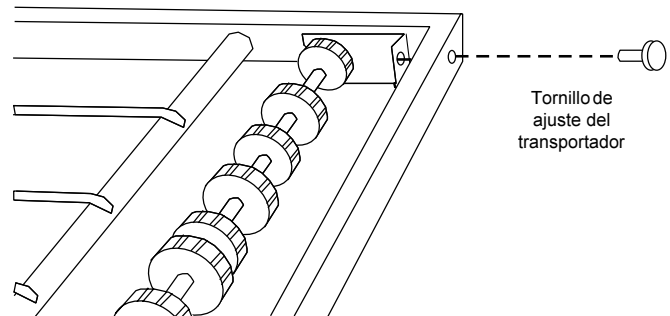


Figura 4-6 - Eje impulsor de banda doble

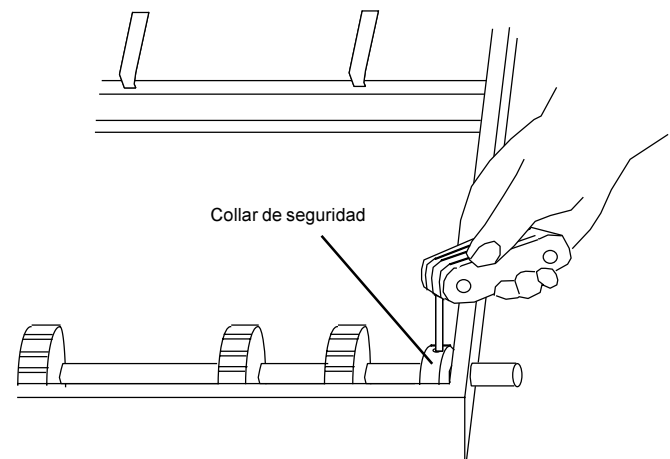
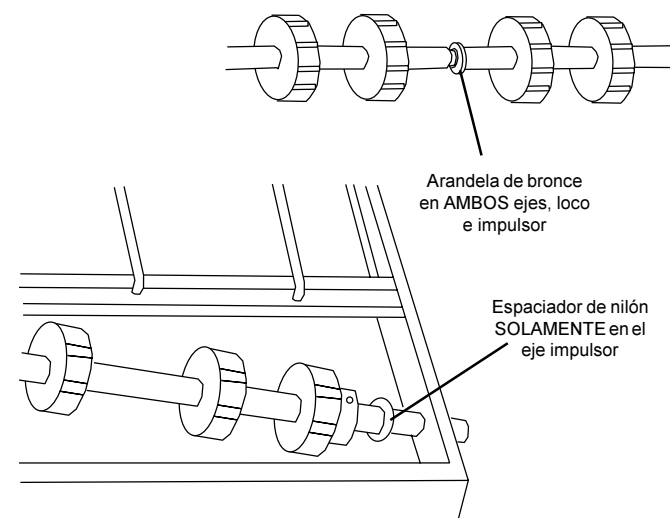


Figura 4-7 - Arandela y espaciador



E. Correas de los Ventiladores

1. Para lograr acceso a cada uno de los compartimentos de las correas de los ventiladores, retire los cuatro tornillos mostrados en la Figura 4-8. Luego, levante la cubierta posterior fuera de sus colgadores.

Si se necesita tener acceso a los motores de los ventiladores, retire los tres tornillos de montaje (dos delante y uno detrás de cada cubierta). Luego, levante la cubierta extrema directamente hacia arriba y sáquela de los abrazaderas que la sujetan. Las cubiertas extremas sólo pueden ser retiradas **DESPUÉS** que se han retirado las cubiertas posteriores.

2. Verifique que cada correa de ventilador tenga por lo menos 1" (25 mm) de deflexión en el centro y examínela para comprobar si está rajada o tiene excesivo desgaste. Ver la Figura 4-9. Si la correa está tensada en exceso puede causar la falla prematura de los cojinetes y posibles vibraciones.
3. Si fuera necesario, ajuste la tensión de la correa aflojando los cuatro pernos de montaje del motor. Ajuste la posición del motor, según se necesite, hasta que se logre la deflexión correcta, luego apriete los pernos de montaje del motor.

F. Lubricación de los cojinetes de los ventiladores

1. Use una pistola engrasadora para lubricar los cojinetes del eje del ventilador principal, tal como se muestra en la Figura 4-10.

Al lubricar los cojinetes:

- Use una grasa de jabón de litio de alta calidad NLGI #2, con aceite de petróleo, tal como Middleby P/N 17110-0015.
- Aplique la grasa lentamente hasta formar una pequeña gota de grasa en las juntas. **NO APLIQUE DEMASIADA GRASA.** Si aplica demasiada grasa puede causar daños al cojinete.

2. Gire a mano el eje del ventilador tirando de la correa para eliminar la grasa.
3. Limpie el exceso de grasa en o alrededor de los cojinetes.
4. Restituya las cubiertas en el horno.

NOTA

El horno no funcionará a menos que TODAS las cubiertas del motor y posteriores estén colocadas.

IV. MANTENIMIENTO - SEMESTRAL

- A. Verifique que el horno esté frío y que la energía esté desconectada, tal como se describe en la advertencia al comienzo de esta Sección.
- B. Observe si hay desgaste excesivo en las escobillas del motor de impulsión del transportador. Cambie las escobillas si están gastadas a menos de 1/4" (6.4mm) de largo. Asegúrese de reemplazar las escobillas en la misma posición exactamente.
- C. Para hornos de gas, limpie e inspeccione el conjunto de la boquilla del quemador y electrodo.
- D. Verifique (y limpie si es necesario) el sistema de ventilación del horno.
- E. Verifique los bujes y los espaciadores del eje impulsor del transportador. Reemplace los componentes desgastados.

Figura 4-8 - Cubiertas posteriores y placas protectoras

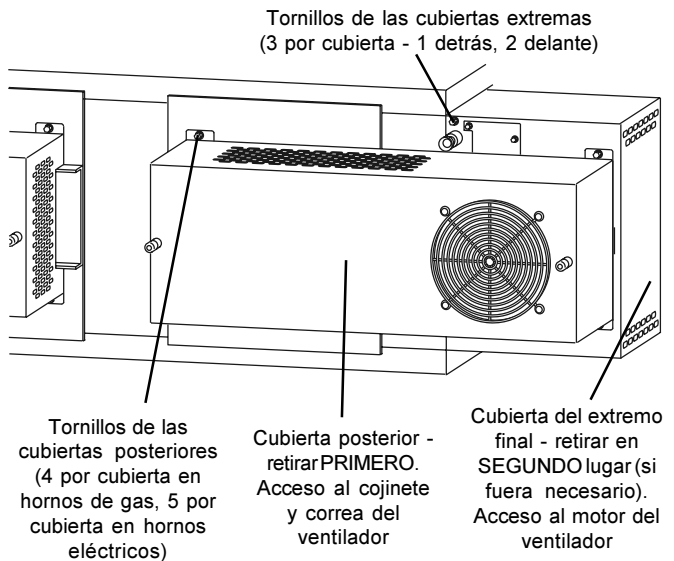


Figura 4-9 - Tensión de la correa del ventilador

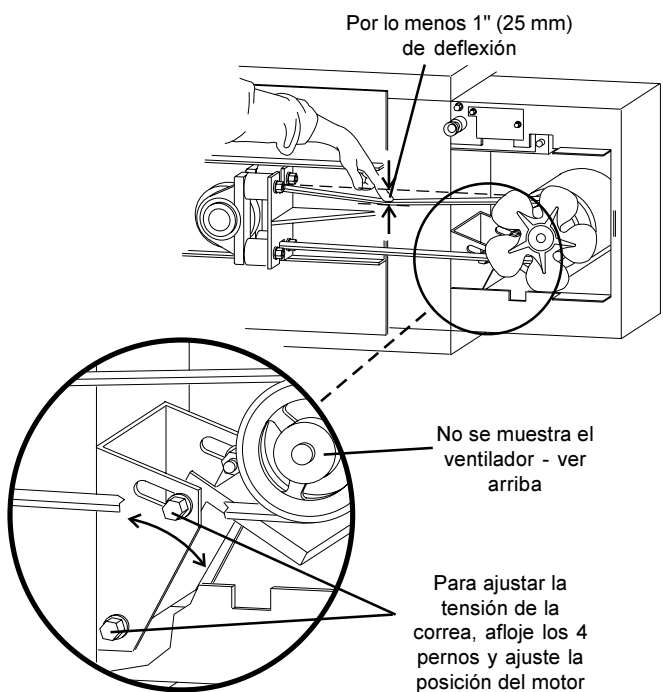
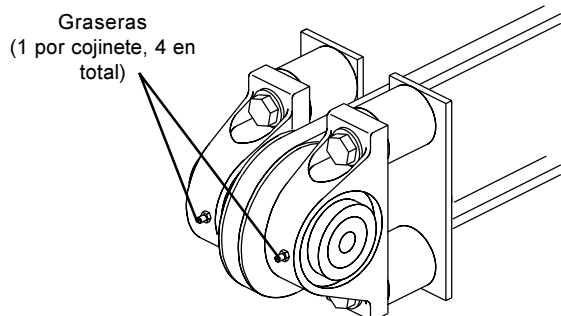


Figura 4-10 - Lubricación de los cojinetes



V. JUEGO DE PIEZAS DE REPUESTO PRINCIPALES - Disponible por separado. Ver figura 4-11.

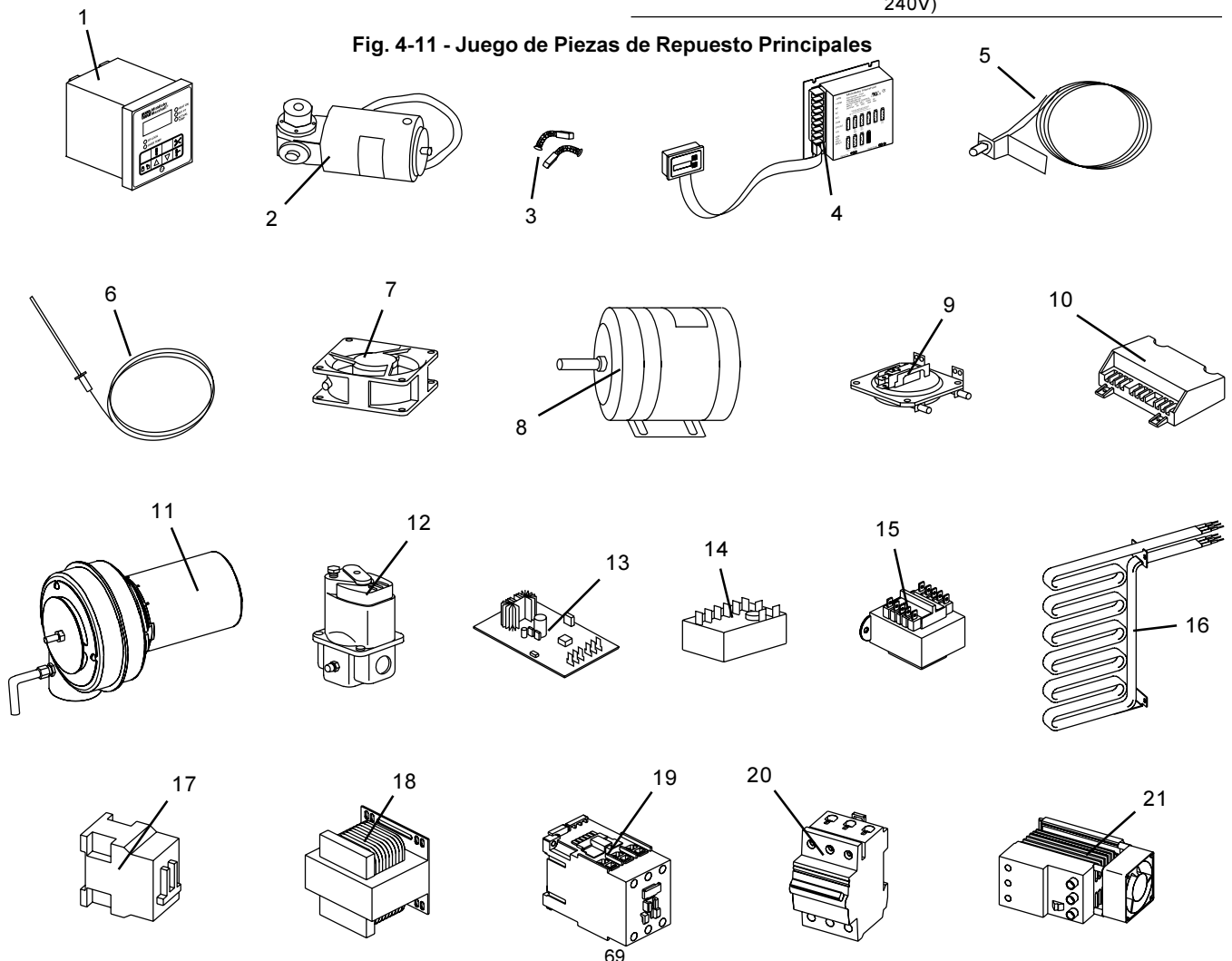
A. Hornos de gas

Item	Ctdad.	No. de Pieza	Descripción
1	1	36939	Juego, Controlador Digital de Temperatura
2	1	27384-0008	Motor de impulsión del transportador
3	2	22450-0052	Escobillas, Motor de impulsión
4	1	37337	Juego, Controlador de velocidad del transportador
5	1	27170-0263	Conjunto del sensor de control del transportador
6	1	33984	Conjunto de termopar
7	1	97525	Ventilador de enfriamiento
8	1	27381-0069	Motor Ventilador, 1 HP
9	1	39530	Interruptor de aire
10	1	42810-0114	Juego, Módulo de encendido
11	1	38811	Conjunto de Ventilador del quemador/Motor
12	1	41647	Válvula de modulación de gas, 1/2"
13	1	31651	Amplificador, Válvula de modulación
14	1	33983	Módulo de control de límite alto, 240V
15	1	41872	Transformador, 240Vp:24Vs, 25VA

B. Hornos eléctricos

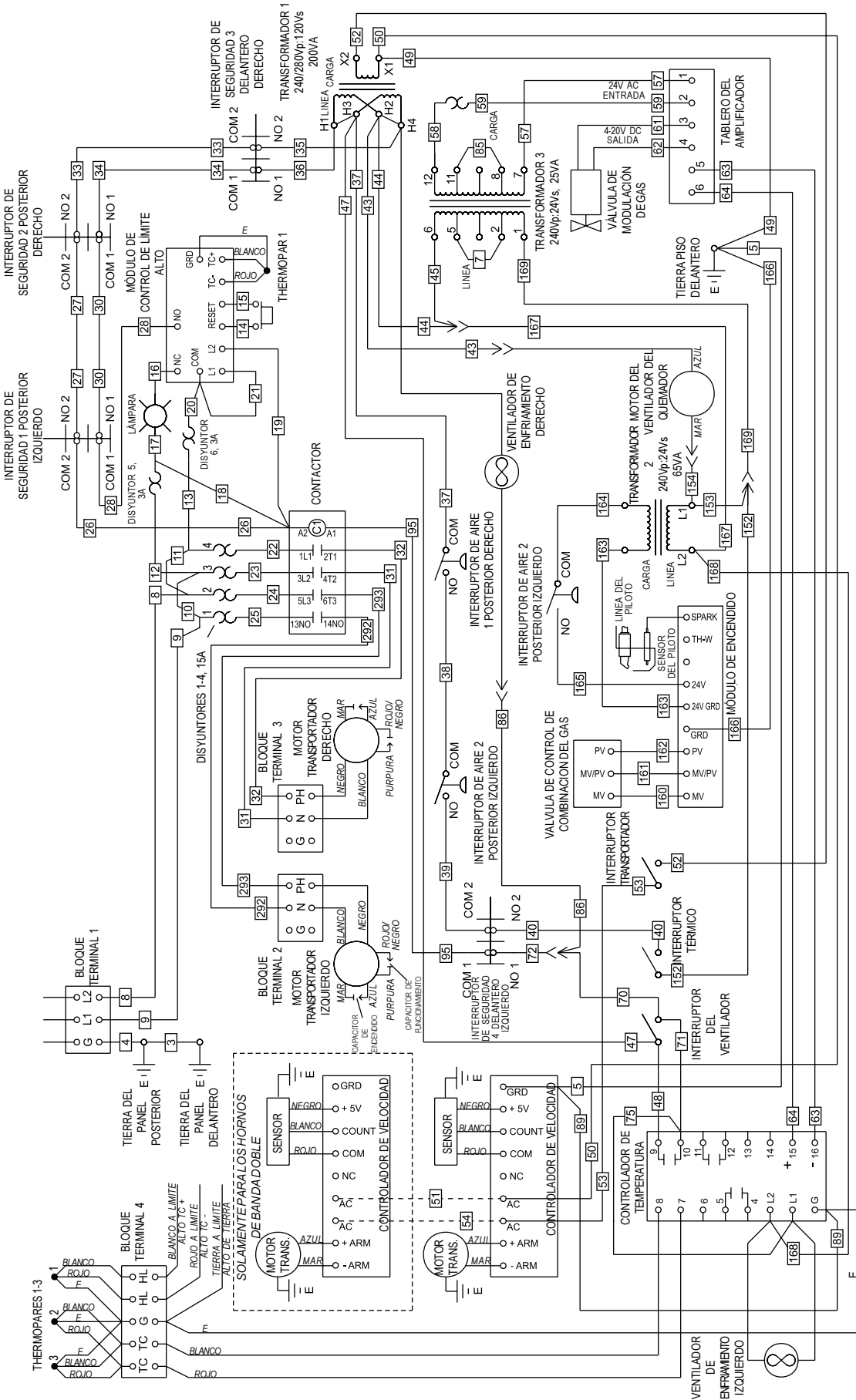
Item	Ctdad.	No. de Pieza	Descripción
1	1	36939	Juego, Controlador Digital de Temperatura
2	1	27384-0008	Motor de impulsión del transportador
3	2	22450-0052	Escobillas, Motor de impulsión
4	1	37337	Juego, Controlador de velocidad del transportador
5	1	27170-0263	Conjunto del sensor de control del transportador
6	1	33984	Conjunto de termopar
7	1	97525	Ventilador de enfriamiento
8	1	27381-0069	Motor Ventilador, 1 HP
14	1	33983	Módulo de control de límite alto, 240V
16a	1	43337	Elemento térmico, 208V
16b	1	44525	Elemento térmico, 230V
16c	1	44526	Elemento térmico, 380V
16d	1	44527	Elemento térmico, 480V
17	1	28041-0008	Contactador
18	1	31504	Transformador, 230Vp:120Vs, 200VA
19	1	44549	Contactador
20	1	35018	Bloque de disyuntores, 3 polos, 50A
21a	1	44568	Controlador (hornos de 380V y 480V)
21b	1	44914	Controlador (hornos de 208V, 230V y 240V)

Fig. 4-11 - Juego de Piezas de Repuesto Principales



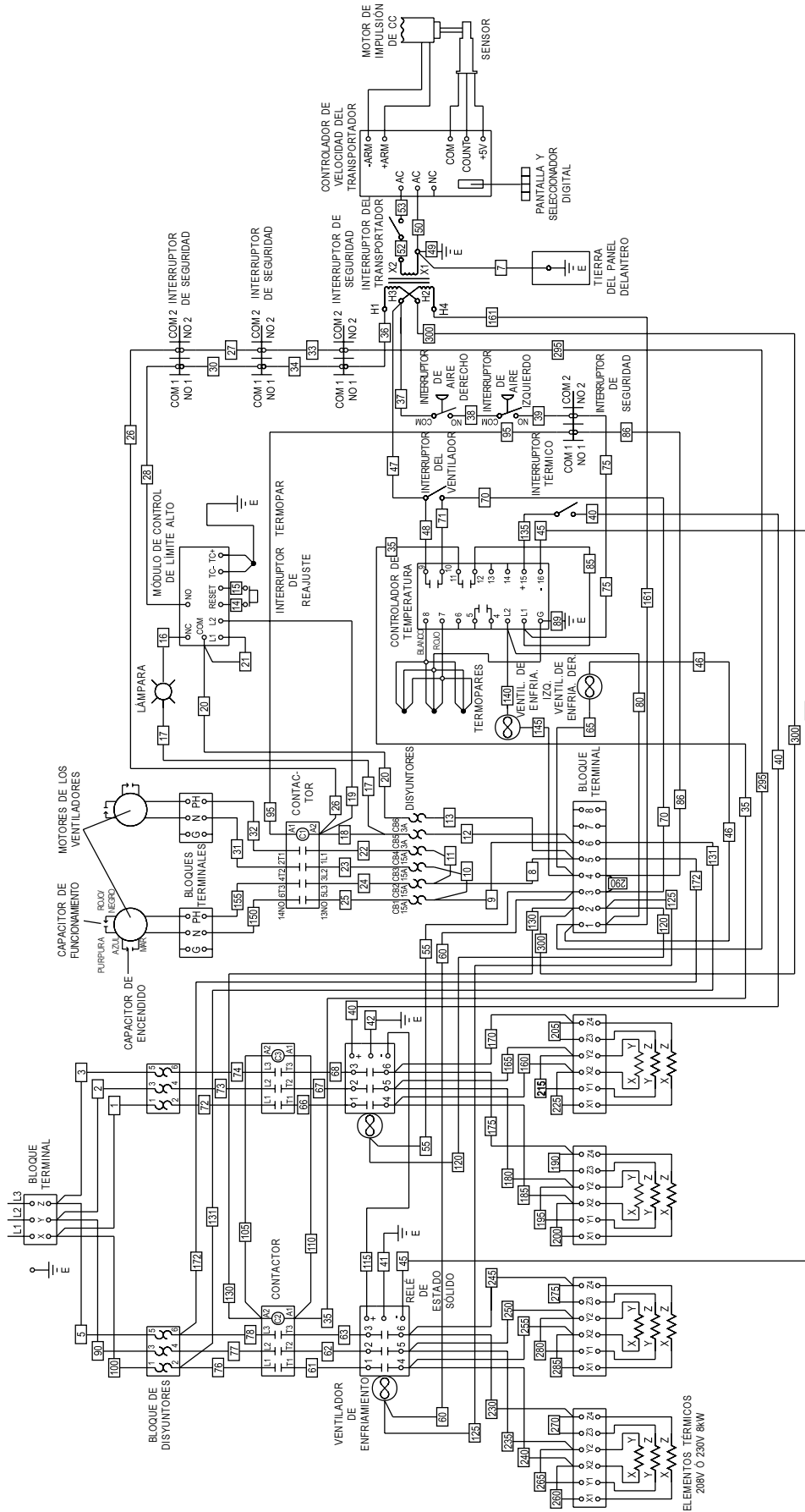
SECCIÓN 5 - DIAGRAMAS DEL CABLEADO ELÉCTRICO

Fig. 5-1
Diagrama de cableado, Horno de gas PS555G o PS570G, 208/240V, 50/60Hz, 1 F



IMPORTANTE
Dentro del compartimento de mecanismos se encuentra un diagrama de cableado eléctrico del horno.

Fig. 5-2
Diagrama de cableado, Horno eléctrico PS555E, 208V ó 240V, 50/60Hz, 3 F

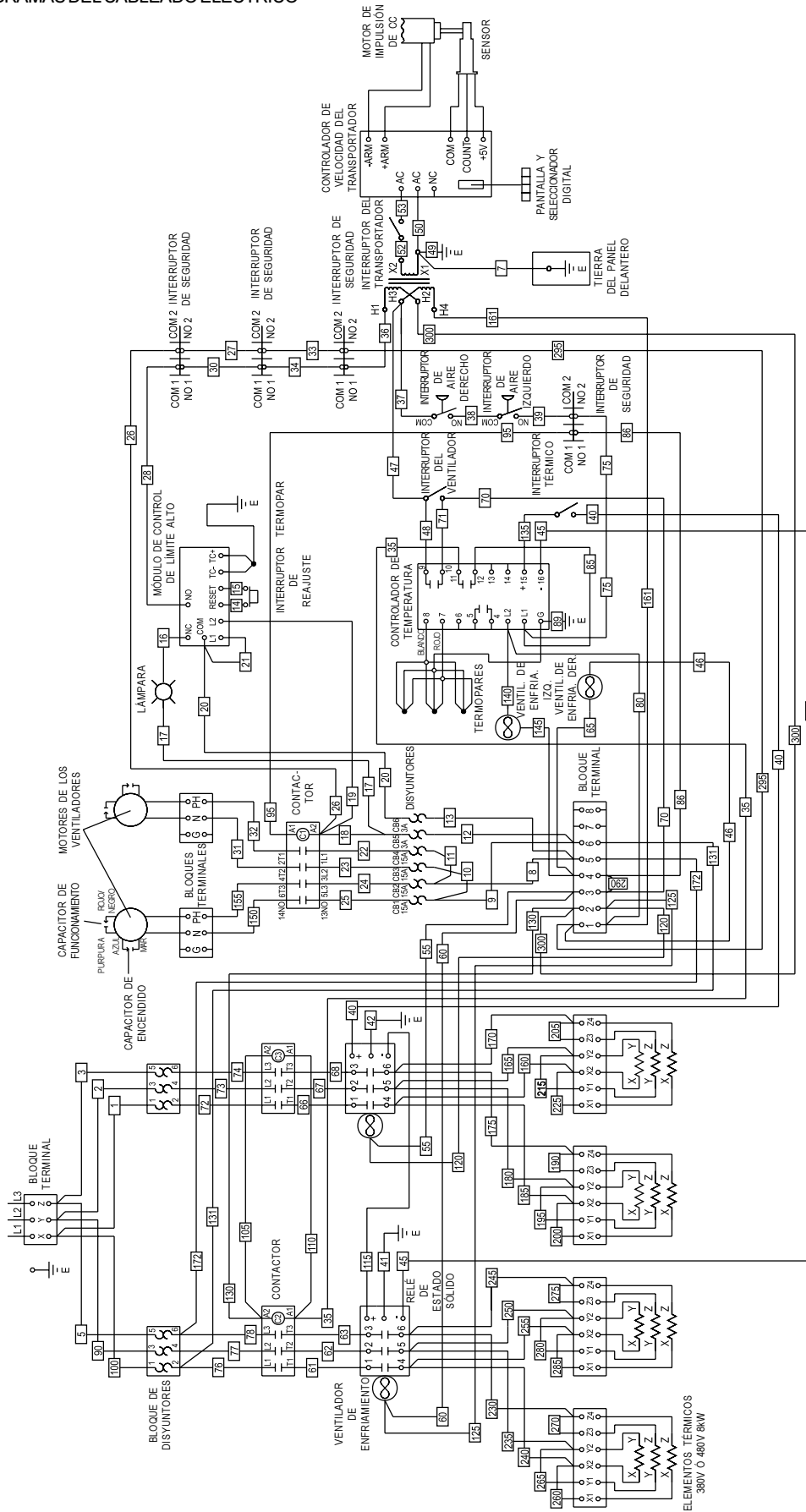


IMPORTANTE

Dentro del compartimento de mecanismos se encuentra un diagrama de cableado eléctrico del horno.

ESPAÑOL

Fig. 5-3 Diagrama de cableado, Horno eléctrico PS555E, 380V ó 480V, 50/60Hz, 3 F



IMPORTANTE
Dentro del compartimento de mecanismos se encuentra un diagrama de cableado eléctrico del horno.