

Beau mark®

Microwave Oven



User Manual

Table of Contents

Specifications	2
Safety	3 – 7
Precautions to avoid possible exposure to Microwave Energy.....	3
Grounding Installation.....	3
Important safety Instructions.....	4 - 5
Utensils	6
Materials you can use in a microwave oven.....	6
Materials to be avoided in a microwave oven.....	7
Setting up your oven	7
Names of oven parts and accessories.....	7
Turntable installation.....	8
Countertop Installation.....	8
Operation	9 - 19
Control Panel and Features.....	9
Oven Features.....	10 - 19
Troubleshooting	20
Warranty Information	21

SPECIFICATIONS

Model:	BM-7990-SS
Rated Voltage:	120V~ 60Hz
Rated Input Power (Microwave):	1500W
Rated Output Power (Microwave):	1000W
Oven Capacity:	0.9 Cu.ft.
Turntable Diameter:	12.4 inch
External Dimensions (LxWxH):	19.09" x 16.14" x 11.30"
Net Weight:	Approx. 29.3 LBS

PRECAUTIONS TO AVOID POSSIBLE EXPOSURE TO EXCESSIVE MICROWAVE ENERGY

Do not attempt to operate this oven with the door open since this can result in harmful exposure to microwave energy. It is important not to break or tamper with the safety interlocks.

Do not place any object between the oven front face and the door or allow soil or cleaner residue to accumulate on sealing surfaces.

Do not operate the oven if it is damaged. It is particularly important that the oven door close properly and that there is no damage to the

- a) Door (bent).
- b) Hinges and latches (broken or loosened)
- c) Door seals and sealing surface

The oven should not be adjusted or repaired by anyone except properly qualified service personnel

ADDENDUM

If the apparatus is not maintained in a good state of cleanliness, its surface could be degraded and affect the lifespan of the apparatus and lead to a dangerous situation.

GROUNDING INSTALLATION

DANGER

Electric Shock Hazard

Touching some of the internal components can cause serious personal injury or death. Do not disassemble this appliance.

Improper use of the grounding can result in electric shock.

Do not plug into an outlet until appliance is properly installed and grounded.



Three-pronged Wall Plug

- This appliance must be grounded. In the event of an electrical short circuit, grounding reduces the risk of electric shock by providing an escape wire for the electric current.
- This appliance is equipped with a cord having grounding wire with a grounding plug. The plug must be plugged into an outlet that is properly installed and grounded.
- Consult a Qualified electrician or serviceman if the grounding instructions are not completely understood or if doubt exists as to whether the appliance is properly grounded.
- If the outlet is a standard 2-prong wall outlet, it is your personal responsibility and obligation to have it replaced with a properly grounded 3-prong wall outlet.
- Do not under any circumstances cut or remove the third (ground) prong from the power cord.
- We do not recommend using an extension cord with this appliance. If the power cord is too short, have a qualified electrician or service technician install an outlet near the appliance.
- A short power-supply cord is provided to reduce the risks resulting from becoming entangled in or tripping over a longer cord.
- If a long cord sets or extensions cord is used
 - A. The marked electrical rating of the cord set or extension marked electrical rating of the cord set or extension cord should be at least as great as the electrical rating of the appliance.
 - B. The extension cord must be a grounding-type 3-wire cord.
 - C. The longer cord should be arranged so that it will not drape over the countertop or tabletop where it can be pulled on by children or tripped over unintentionally.

Important Safety Instructions

Oven Safety

1. The oven must be on a level surface
2. The turntable and turntable roller must be in the oven during cooking. Place the cookware gently on the turntable and handle it carefully to avoid possible breakage.
3. Incorrect use of browning dish may cause the turntable to break.
4. The oven has several built-in safety switches to ensure that the power remains off when the door is open. Do not tamper with these switches.
5. Do not attempt to deep-fry in your microwave oven.
6. Do not use this microwave oven for commercial purpose. This microwave oven is made for household use only.
7. Use caution when cooking food in the microwave oven to avoid burning due to excessive cooking.
8. Do not allow children to use this appliance, unless closely supervised by an adult.
9. Failure to maintain the oven in clean condition could lead to deterioration that could adversely affect the life of the appliance and possibly result in a hazardous situation
10. Do not overcook food. Carefully attend the appliance when paper, plastic, or other combustible materials are placed inside the oven to facilitate cooking.
11. Do not let power cord hang over edge of table counter, or over any heated surface.
12. Do not mount the microwave oven over or near any portion of a heating or cooking appliance
13. This oven must be properly grounded, see **“Grounding instructions.”**
14. Do not cover or block any vents on the oven.
14. Do not use the oven cavity for storage purposes. Do not store combustible items such as bread, cookies, paper products, etc. inside the oven.
16. Remove metal twist-ties or metal handles from paper or plastic containers before placing them in the microwave oven.
17. Install or locate the oven only in accordance with the installation instructions
18. Use this appliance only for its intended use as described in this manual. Do not use corrosive chemicals or vapors in this appliance. This microwave oven is specifically designed to heat, dry or cook food, and is not intended for laboratory or industrial use.
19. As with any appliance, Close supervision is required when the oven is being used by children.
20. Do not operate this oven if it has a damaged cord or plug, if it is not working properly or if it has been damaged or dropped.
21. This appliance should be serviced only by qualified service technicians. Contact the nearest authorized service facility for examination, repair or adjustment
22. Do not store or use this appliance outdoors.
23. When cleaning door and oven surfaces use only mild, nonabrasive soaps or detergents applied with a sponge or soft cloth.
24. Do not use this oven near water, for example, near a kitchen sink, in a wet basement, near a swimming pool, or similar locations.
25. Do not immerse cord or plug in water.

Food Safety

2. Use only the specified bag size for direct access popcorn.
3. Do not cook bacon directly on the turntable. Excessive local heating of the turntable may cause the turntable to break
4. Do not attempt home canning in the microwave oven, as it is impossible to be sure all contents of the jar have reached boiling temperature.
5. To prevent delayed eruptive boiling of hot liquids and beverages, or scalding yourself, stir liquid before placing the container in the oven and again halfway through cooking time. Once finished cooking, let liquid stand in oven for a short time and stir once more.
6. Some products Such as whole eggs and sealed containers such as closed jars will explode and should not be used in a microwave oven.
7. Do not heat narrow-necked containers, such as syrup bottles in your microwave oven, pressure can build up and cause the container to burst, possibly resulting in injury
8. Some products such as whole eggs, water with oil or fat, sealed to explode and therefore should not be heated in this oven.
9. Do not operate the microwave oven empty. Operating the oven with no food or food that is extremely low in moisture can cause fire, charring or sparking.
10. Avoid heating baby food in glass jars, even with the lid off. Make sure all infant food is thoroughly cooked. Stir food to distribute the heat evenly. Be careful to prevent scalding when warming formula. The container may feel cooler than the formula really is. Always test the formula before feeding the baby.

1. Liquids, such as water, coffee, or tea are able to be overheated beyond the boiling point without appearing to be boiling. Visible bubbling or boiling when the container is removed from the microwave oven is not always present. This could result in very hot liquids suddenly boiling over when the container is disturbed or a spoon or other utensil is inserted into the liquid.
 - i) Do not overheat the liquid.
 - ii) Stir the liquid both before and halfway through heating it.
 - iii) Do not use straight-sided containers with narrow necks. After heating, allow the container to stand in the microwave oven for a short time before removing the container.
 - iv) Use extreme care when inserting a spoon or other utensil into the container

WARNING

To reduce the risk of fire, electric shock, injury to persons or exposure to excessive microwave oven energy when using your appliance, follow basic precautions, including the following.

1. Read all instructions before using the appliance.
2. Read and follow the specific: **“Precautions to avoid possible exposure to excessive microwave energy.”**
3. As with most cooking appliances, close supervision is necessary to reduce the risk of a fire in the oven cavity.

If materials in the oven ignite:

1. Keep the oven door closed.
2. Turn the oven off, and unplug the appliance
3. Disconnect the power cord, shut off power at the fuse or circuit breaker panel.

UTENSILS

CAUTION - Personal injury hazard

Tightly-closed utensils could explode. Closed containers should be opened and plastic pouches should be pierced before cooking. See the instructions on “materials you can use in microwave oven or to be avoided in microwave oven.” There may be certain non-metallic utensils that are not safe to use for microwaving. If in doubt, you can test the utensil in question following the procedure below.

MATERIALS YOU CAN USE IN MICROWAVE OVEN

Most heat-resistant, non-metallic cookware is safe for use in your microwave oven. However, to test cookware before using, follow these steps:

1. Place the empty cookware in the microwave oven.
2. Measure 1 cup of water in a glass measuring cup and place it in the oven beside the cookware.
3. Microwave on 100% power for 1 minute. If the dish is warm, it should not be used for microwave cooking.
4. Do not exceed 1 minute cooking time.

Utensils	Remarks
Aluminum Foil	Shielding only. Small smooth pieces can be used to cover thin parts of meat or poultry to prevent overcooking. Arcing can occur if foil is too close to oven walls. The foil should be at least 1 inch (2.5cm) away from oven walls.
Browning Dish	Follow manufacturer's instructions. The bottom of browning dish must be at least 3/16 inch (5mm) above the turntable. Incorrect usage may cause the turntable to break.
Dinnerware	Microwave-safe only. Follow manufacturer's instructions. Do not use cracked or chipped dishes.
Glass Jars	Always remove lid. Use only to heat food until just warm. Most glass jars are not heat resistant and may break.
Glassware	Heat-resistant oven glassware only. Make sure there is no metallic trim. Do not use cracked or chipped dishes.
Oven cooking bags	Follow manufacturer's instructions. Do not leave oven unattended while cooking.
Paper towels	Use to cover food for reheating and absorbing fat. Use with supervision for short-term cooking only.
Parchment paper	Use as a cover to prevent splattering or a wrap for steaming.
Plastic	Microwave-safe only. Follow the manufacturer's instructions. Should be labeled "Microwave Safe." Some plastic containers soften, as the food inside gets hot. "Boiling bags" and tightly closed plastic bags should be slit, pierced or vented as directed by package.
Plastic wrap	Microwave-safe only. Use to cover food during cooking to retain moisture, Do not allow plastic wrap to touch food.
Paper Plates and Cups	Use for short-term cooking/warming only. Do not leave oven unattended while cooking.
Thermometers	Microwave-Safe only (Meat and candy thermometers)
Wax Paper	Use as a cover to prevent splattering and retain moisture.

MATERIALS TO BE AVOIDED IN MICROWAVE OVEN

Utensils	Remarks
Aluminum Tray	May cause arcing. Transfer food into microwave-safe dish.
Food carton with metal handle	May cause arcing. Transfer food into microwave-safe dish.
Metal or Metal-trimmed utensils	Metal shields the food from microwave energy. Metal trim may cause arcing.
Metal twist ties	May cause arcing, and could cause a fire in the oven.
Paper bags	May cause a fire in the oven.
Plastic foam	Plastic foam may melt or contaminate the liquid inside when exposed to high temperature.
Wood	Wood will dry out when used in the microwave oven and may split or crack.

SETTING UP YOUR OVEN

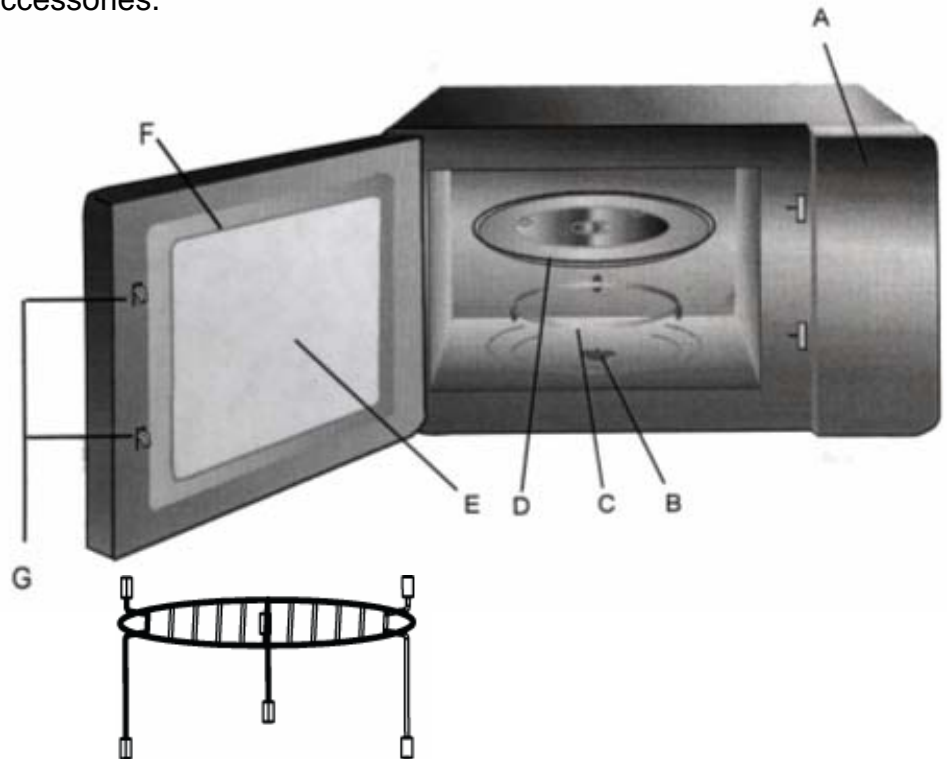
Names of oven parts and accessories

Throughout this manual, features and appearance may vary from your model.

Your oven comes with the following accessories.

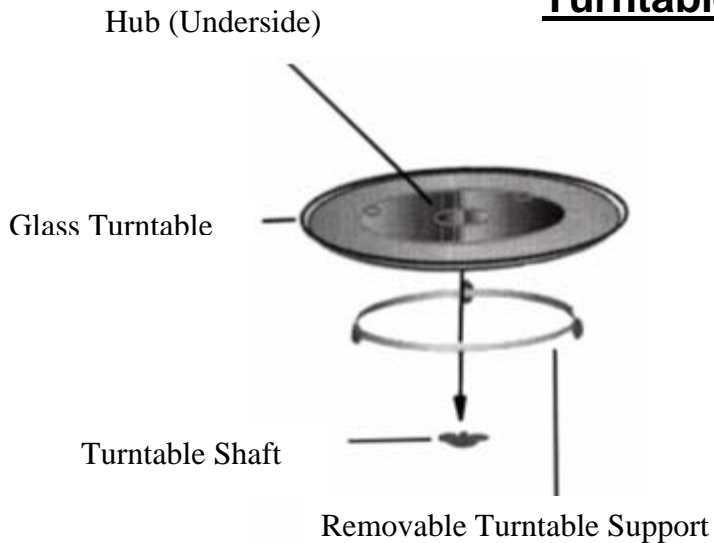
Glass Turntable	1
Turntable ring assembly	1
Instruction Manual	1
Turntable Shaft	1

- A) Touch Control Panel Display
- B) Turntable shaft
- C) Removable turntable support
- D) Glass removable turntable
- E) Observation window
- F) Door assembly
- G) Safety interlock system



Grill (Only for Grill series)

Turntable Installation



- a) Never place the glass turntable upside down. The glass turntable should never be restricted
- b) Both glass turntable and turntable support must always be used during cooking
- c) All food and containers of food are always placed on the glass turntable for cooking.
- d) If glass tray or turntable ring assembly crack or breaks, replacement is required.

Countertop Installation

Remove all packing material and accessories. Examine the oven for any damage such as dents or broken door. Do not install if oven is damaged.

Cabinet: Remove any protective film found on the microwave oven cabinet surface. **DO not remove the light brown mica cover that is attached to the oven cavity to protect the magnetron.**

1. Select a Level surface that provides enough open space for the intake and/or outlet vents.

A minimum clearance of 3.0 inches (7.5cm) is required between the oven and any adjacent walls. One side must be open.

A) Leave a minimum of 12 inches (30cm) above the oven.

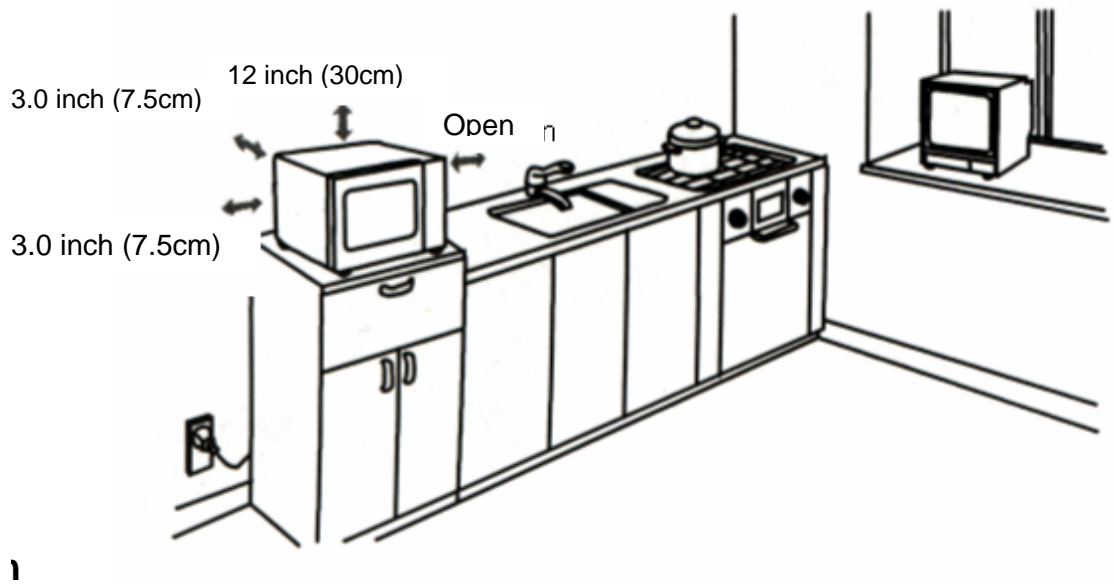
B) Do not remove the legs from the bottom of the oven.

C) Blocking the intake and/or outlet opening can damage the oven.

D) Place the oven as far away from radios and TV as possible. Operation of microwave oven may cause interference to your radio or TV reception

2. Plug your oven into a standard household outlet. Be sure the voltage and the frequency is the same as the voltage and the frequency on the rating label.

WARNING: Do not install oven over a Range cook top or other heat-producing appliance. If installed near or over a heat source, the oven could be damaged and the warranty would be void.



OPERATION

Control Panel Operations



- 1. Microwave
- 2. Convection
- 3. Grill
- 4. Defrost
- 5. Child Lock
- 6. Auto Menu
- 7. F Fahrenheit
- 8. Oz Ounce

- 1. Power Level Pg.10
- 2. Grill Pg.10
- 3. Convection Pg.10
- 4. Combination Pg.11
- 5. Sensor Cook Pg. 11
- 6. Sensor Reheat Pg. 12
- 7. Popcorn Pg. 12
- 8. Weight Defrost Pg. 12
- 9. Time Defrost Pg. 12
- 10. Timer/Clock Pg. 10/13
- 11. Dial Pg. 12
- 12. Stop/Clear Pg. 13
- 13. Start/+30sec./Select Pg. 13

1. Clock setting

When the microwave oven is plugged in, the oven will display "0.00" and hour will flash.

- 1) Turn the dial to set hour;
- 2) Press the **"SELECT"** button to enter, and the minutes will flash.
- 3) Turn the dial to set minutes.
- 4) Press the **"START"** to finish clock setting.

Note: If you want to revise clock setting, press "TIMER/CLOCK" two times, and follow above steps. If you do not want to set clock when plugged in, press "STOP".

2. Power Level

The power level may be entered or changed immediately after entering the time for "Time Cook" or "Time Defrost" The power level may also be changed during the time countdown.

- 1) Press the **"POWER LEVEL"** button;
- 2) Turn the dial to select the power level;
- 3) Press the **"SELECT"** button to enter;
- 4) Turn the dial to set the time; (The time setting should be 0:05- 95:00.)
- 5) Press the **"START"** button to start cooking.

Level	10	9	8	7	6	5	4	3	2	1
Power	100%	90%	80%	70%	60%	50%	40%	30%	20%	10%

High level, **microwave icon**



lights up and will flash while in operation

Low level, **microwave icon**



lights up and will flash while in operation

Quick setting:

Turn the dial, microwave icon  will display and you can adjust the cooking time you desired, press "START", it will start cooking with 100% power level and your desired cooking time.

3. Grill

- 1) Press "GRILL" button.
- 2) Turn the dial to adjust the cooking time;
- 3) Press **"START"** to start cooking.

Note: If half the grill time passes, the oven should pause and sound twice, and this is normal. In order to have a better effect of grilling food, you should turn the food over, close the door, and then press **"START"** to continue cooking. If there is no operation, the oven will work automatically and sound once.

4. Convection

Convection Time Cook with Preheat

- 1) Press the **"CONVECTION"** button, "100°F" will display ;
- 2) Turn the dial to select the convection temperature you need; and press **"SELECT"** button to input your selected temperature.

Note: the temperature can be chosen from 100°F (38°C) to 425°F (218°C).

- 3) Press the **"START"** button to start preheating ,when the oven reaches the preheat temperature, the buzzer will sound twice to remind you to put the food into the oven, and the preheated temperature will appear on the display and flash;
- 4) Open the oven door, place the food in the oven ,
Turn the dial to adjust the cooking time;
- 5) Press the **"START"** to start cooking.

Convection Time Cook without preheat

- 1) Press the **"CONVECTION"** button, "100°F" will display
- 2) Turn the dial to select the convection temperature you need;
Note: the temperature can be chosen from 100°F (38°C) to 425°F (218°C).
- 3) Press the **"SELECT"** to input your selected temperature.
- 4) Turn to dial to adjust the cooking time

5) Press the "START" key to start cooking.

5. Combination

- 1) Press the "COMBINATION" button separately to select "C-1" or "C-2", see below instruction chart.
- 2) Turn the dial to adjust the cooking time;
- 3) Press the "START" to start cooking.

Note: Combination instructions

Instructions	Display	Microwave	Grill	Convection
Press once	C-1	●		●
Press twice	C-2	●	●	

6. Sensor Cook Menu

- 1) Press "SENSOR COOK MENU" button.
- 2) Turn the dial to select the desired food type;
- 3) Press "START" button to start cooking.

See the **SENSOR COOK CHART** below for specific foods and instruction.

Sensor Cook Chart			
Menu	Weight	Display	Additional instructions
Frozen Entrée	8-32 Oz (225-900g)	SC-1	Follow manufacturer's instructions on preparation. Be careful when removing the film cover after cooking. Remove Facing away from you to avoid steam burns. If additional time is needed, continue to cook manually. Cover with lid or vented plastic wrap.
Fish Fillets	110 – 450 g (4 – 16 oz.)	SC-5	Arrange in a single layer. Cover with lid or vented plastic wrap.
Potato	1-4 Unit (6-8 Oz each)	SC-2	Pierce each potato with a fork 6 times around its surface. Place potatoes around the edge of a paper-towel-lined turntable, at least 2.5cm (1") apart. Do not cover.
Frozen Vegetables	170 – 450 g (6 – 16 oz.)	SC-6	Wash thoroughly, add 1 tbsp of water per ½ cup of vegetables, and cover with a lid or vented plastic wrap. Do not salt/butter vegetables until after cooking
Pasta	2-8 Oz (56-225g)	SC-3	Place pasta with hot tap water in a microwave sage casserole dish. Cover with lid or vented plastic wrap. Do not cover.
Fresh Vegetables	110 – 450 g (4 – 16 oz.)	SC-7	All pieces should be the same size. Wash thoroughly, add 1 tbsp of water per ½ cup of vegetables, and cover with a lid or vented plastic wrap. Do not salt/butter vegetables until after cooking
Frozen Pizza	6 – 12 Oz (170 – 340 g)	SC-4	Follow manufacturer's directions for preparation.
Ground Meat	8 – 24 oz. (225 – 680 g)	SC-8	Break apart in glass bowl or colander. Cover with lid or vented plastic wrap. Juices should be clear when done, Drain.

7. Sensor Reheat Feature

The sensor feature allows you to reheat food without setting the oven manually.

- 1) In waiting states, press "**SENSOR REHEAT**". And put the food into the microwave oven. "SA-1" is displayed.
- 2) Press "**START/+30SEC**" to start sensor reheat function.
- 3) The buzzer will sound twice when the sensor induce the steam. The time will count down and display the surplus cooking time will appear in the display window. When the cooking has been finished, the buzzer will sound 5 beeps and the oven will turn back to the waiting states.

Note: 1) Food to be avoided in sensor reheating.

- a. Bread and other dry food, such as biscuit cake.
- b. Non-cooking food.
- c. Beverages and frozen food.

2) The oven cannot cook automatically when the temperature of the oven cavity is high.

3) The reheated food can be covered with a lid. But the lid must have vent holes in order to release steam. Sealed utensils are forbidden.

4) During sensor cooking process, please **do not** open the oven door or press "**STOP/CLEAR**" key. Otherwise, the sensor will not function properly.

5) The sensor reheat has different requests for different food.

Note: Casseroles – Add 3 to 4 tablespoons of liquid, cover with lid or vented plastic wrap. Stir when time appears in the display window.

Canned foods – Empty contents into casserole dish or serving bowl, cover dish with lid or vented plastic wrap. After reheating, let stand for a few minutes.

Plate of Food – Arrange food on plate; top with butter, gravy, etc. Cover with lid or vented plastic wrap. After reheating, let stand for a few minutes.

8. Popcorn

If the package is less than 1.75 oz (50 g), follow the package instructions, using 100% "**POWER LEVEL**" for microwave.

- 1) Press "Popcorn" once for a popcorn bag size of 1.75 oz. Then press "START." ("1.75 oz." will appear in display)
- 3) Press "Popcorn" twice for a popcorn bag size of 3.0 oz. Then press "START." ("3.0 oz." will appear in display)
- 4) Press "Popcorn" three times for a popcorn bag size of 3.5 oz. Then press "START." ("3.5 oz." will appear in display)

Times(Press " POPCORN ")	Weight	Display
Once	1.75 Oz	1.75
Twice	3.0 Oz	3.0
Thrice	3.5 Oz	3.5

9. Weight Defrost

- 1) Press "**WEIGHT DEFROST**", the oven will display "d-1";
- 2) Turn the dial to select the weight of food, "OZ" will light;
- 3) Press "**START**" button to start defrosting.

10. Time Defrost

- 1) Press "**TIME DEFROST**", the oven will display "d-2";
- 2) Turn the dial to select the cooking time.
- 3) Press "**START**" button to start defrosting.

Defrosting Tips and Tricks

Food	Manual Defrost Time at P3 (min/kg) (min/lb)		During Defrost	After Defrosting	
				Stand Time	Rinse
Fish and Seafood (up to 1.4 kg [3lbs]) Crabmeat	12	6	Break apart/Rearrange	5 min.	YES
Fish Steaks	8 to 12	4 to 6	Turn Over		
Fish Fillets	8 to 12	4 to 6	Turn Over/Rearrange/Shield Ends		
Sea Scallops	8 to 12	4 to 6	Break apart/Remove defrosted Pieces		
Whole Fish	8 to 12	4 to 6	Turn Over		
Meat Ground Meat	8 to 10	4 to 5	Turn over/Remove defroster portion/Shield Edges	10 min.	NO
Roasts (1.1-1.8 kg [2½-4 lbs.])	8 to 16	4 to 8	Turn over/ Shield ends and defrosted Surface	30 min. in fridge	
Chops/Steak	12 to 16	6 to 8	Turn over/ Rearrange/ Shield ends and defrosted surface	5 min.	
Ribs/T-bone	12 to 16	6 to 8	Turn over/ Rearrange/ Shield ends and defrosted surface		
Stew Meat	8 to 16	4 to 8	Break apart/ Rearrange/ Remove defrosted pieces		
Liver (Thinly Sliced)	8 to 12	4 to 6	Drain liquid/ Turn over/ Separate pieces		
Bacon (Sliced)	8	4	Turn over	----	
Poultry Chicken, Whole (up to 1.4 kg [3 lbs])	8 to 12	4 to 6	Turn over/ Shield	20 min/ in fridge	
Cutlets	8 to 12	4 to 6	Break apart/ Turn over/ Remove defrosted pieces	5 min.	
Cornish hens	12 to 16	6 to 8	Turn over/ Shield	10 min.	
Turkey Breast (2.3-2.7 kg [5-6 lbs])	12	6	Turn over/ Shield	20 min. in fridge	

11. Multi-Stage Cooking

Two or three cooking stages can be set. If one stage is defrosting, it should be put in the first stage. It will beep once when one stage finished and the next stage will begin.

Note: Sensor menu and weight defrost cannot be set as one of the multi-stage; if convection is used as one of the multi-stage, you can only adjust the cooking time, temperature can Not be adjusted.

Two stages cooking setting example:

If you want to defrost the food for 5 minutes, then to cook with 80% microwave power for 7 minutes. The steps are as following:

- 1) Press "**TIME DEFROST**", the screen will display "d-2";
- 2) Turn the dial to adjust the defrost time of 5 minutes;
- 3) Press "**POWER LEVEL**" and turn the dial to choose 80% microwave power, and "P80" displays.
- 4) Press "**SELECT**" to input your selected power level.
- 5) Turn the dial to adjust the cooking time of 7 minutes;
- 6) Press "**START**" to start cooking.

Three stages cooking setting example:

If you want to defrost the food for 5 minutes, and cook with 100% microwave power for 7 minutes, then cook with Grill 3 minutes. The steps are as following:

- 1) Press "**TIME DEFROST**", the screen will display "d-2";
- 2) Turn the dial to adjust the defrost time of 5 minutes;

- 3) Press "**POWER LEVEL**", "P100" displays.
- 4) Press "**SELECT**" to input your selected power level.
- 5) Turn the dial to adjust the cooking time of 7 minutes;
- 6) Press "**GRILL**"
- 7) Turn the dial to adjust the cooking time of 3 minutes.
- 8) Press "**START**" to start cooking.

12. Timer

- 1) Press "**TIMER/CLOCK**" button once, LCD display will show "0:00".
- 2) Turn the dial to input length of time for countdown, maximum 95 minutes.
- 3) Press "**START**" to begin, LCD counts down.
- 4) When countdown ends, it will beep five times.

13. Child Lock

- 1) Press "**Stop/Clear**" button and hold for 3 seconds. A long beep will sound. The microwave is now locked and cannot be used. The LCD will display the current time or "0:00". The "**Child lock**" icon should be on.
- 2) To unlock, press and hold "**Stop/Clear**" button for 3 seconds until a long beep sounds. The microwave is now unlocked.

14. Stop/Clear

- 1) To stop the microwave at any point during cooking, press "**Stop/Clear**".
- 2) To clear the display window, press "**Stop/Clear**".

15. Start / +30 SEC

The "+30 SEC" button can be used to set the time for cooking or for adding on time while food is already cooking. To set the time for cooking, press "**+30 SEC**" button repeatedly to increase the time to your desired cooking time. Press "+30 SEC" button during cooking can increase the cooking time by 30 seconds. The maximum amount of time that can be added is 95 minutes.

Cooking Guide Chart 1

Food Item	Grill	Combination-2 (Microwave + Grill)
Sausage	●	
Pork	●	●
Lamp	●	●
Rib	●	
Brisket	●	
Steak		●
Chicken, guinea fowl		●
Turkey		●
Fish	●	●
Veal		●

Cooking Guide Chart 2

Foods	Microwave	Combination-1 (Microwave+Convection)	Convection
Appetizers			
Dips and Spreads	1	N/R	N/R
Pastry Snacks	2	1	2
Beverages	1	N/R	N/R
Sauces and Toppings	1	N/R	N/R
Soups and Stews	1	2	N/R
Meats			
Defrosting	1	N/R	N/R
Roasting	2	1	2
Poultry			
Defrosting	1	N/R	N/R
Roasting	2	1	2
Fish and Seafood			
Defrosting	1	N/R	N/R
Cooking	1	2	N/R
Casseroles	2	1	2
Eggs and Cheese			
Scrambled, Omelets	1	N/R	2
Quiche, souffle	2	2	1
Vegetables, (fresh)	1	N/R	N/R
Breads			
Quick	2	1	2
Yeast	N/R	2	1
Muffins, Coffee Cake	2	1	2
Desserts			
Cakes, layer and bundt	2	1	2
Angel Food and Chiffon	N/R	N/R	1
Custard and Pudding	1	N/R	N/R
Bar Cookies	2	1	2
Fruit	1	N/R	N/R
Pies and Pastry	N/R	2	1
2C1andy	1	N/R	N/R
Blanching Vegetables	1	N/R	N/R
Frozen Convenience Foods	1	2	2

TROUBLESHOOTING

Before you call for service...

You can often correct operating problems yourself. If your microwave oven fails to work properly, locate the operating problem in the list below and try the solutions listed for each problem.

Problem	Possible Causes	What to do
Oven will not start	Circuit breaker or fuse is tripped or blown.	<ul style="list-style-type: none"> • Replace fuse or reset circuit breaker
	Power surge.	<ul style="list-style-type: none"> • Unplug the microwave oven, then plug it back in.
	Plug not fully inserted into wall outlet.	<ul style="list-style-type: none"> • Make sure to 3-prong plug on the oven is fully inserted into wall outlet.
	Door not securely closed	<ul style="list-style-type: none"> • Open the door and close securely.
Control panel lighted, yet oven will not start	Door not securely closed	<ul style="list-style-type: none"> • Open the door and close securely.
	START pad not pressed after entering cooking selection.	<ul style="list-style-type: none"> • Press START
	Another selection entered already in oven and CLEAR/OFF pad not pressed to cancel it.	<ul style="list-style-type: none"> • Press STOP/CLEAR.
	Cooking time not entered before pressing START.	<ul style="list-style-type: none"> • Make sure you have entered cooking time before pressing START
	CLEAR/OFF was pressed accidentally.	<ul style="list-style-type: none"> • Reset cooking program and press START
	Oven was paused accidentally	<ul style="list-style-type: none"> • Press START to restart the cooking program.
Improper Defrosting	Materials to be avoided in microwave oven were used	<ul style="list-style-type: none"> • Use microwave safe cookware only (see Pg. 6)
	Cooking time/power level is not suitable	<ul style="list-style-type: none"> • Adjust Cooking time or Power Level
	Food is not turned or stirred	<ul style="list-style-type: none"> • Turn or Stir food.
Unevenly Cooked Foods	Materials to be avoided in microwave oven were used	<ul style="list-style-type: none"> • Use microwave safe cookware only (see Pg. 6)
	Food is not defrosted completely	<ul style="list-style-type: none"> • Completely Defrost food
	Cooking time/power level is not suitable	<ul style="list-style-type: none"> • Adjust Cooking time/Power level
	Food is not turned or stirred	<ul style="list-style-type: none"> • Turn or stir food
Arcing or sparking	Materials to be avoided in microwave were used	<ul style="list-style-type: none"> • Use microwave safe cookware only (see Pg. 6)
	The oven is operated when empty	<ul style="list-style-type: none"> • Refrain from operating oven while empty
	Spilled food remains in the cavity	<ul style="list-style-type: none"> • Clean cavity with a wet towel.
Glass turntable wobbles	The turntable is not positioned properly on the turntable support or there is food under the turntable support.	<ul style="list-style-type: none"> • Take out glass turntable and turntable support. Wipe with a damp cloth and reset support and turntable properly.

Things which are normal with your microwave oven

- Steam or vapor escaping from around the door
- Light reflection around door or outer case.
- Dimming oven light and change in the blower sound at power levels other than high
- Dull thumping sound while oven is operating
- TV / Radio interference might be noticed while using the microwave. Similar to the interference caused by other small appliances, it does not indicate a problem with the microwave. Plug the microwave into a different

electrical circuit, Move the radio or TV as far away from the microwave as possible or check the position and signal of the Radio or TV antenna

LIMITED WARRANTY

This product is warranted by Hudson's Bay Company, Zellers Inc. and Home Outfitters (together, "**Hbc**") against defects in materials or workmanship for one year from the date of original purchase at retail.

If you think this product is defective, return it to any Zellers or the Bay store, together with your original cash register receipt from Zellers or the Bay as your proof of purchase. If Hbc finds the product to be defective, the product will (subject to the terms of this warranty) be repaired or replaced (at Hbc's sole option). If repaired, the product will remain under warranty for the duration of this warranty. If replaced, the replacement will be the same or a comparable model (at Hbc's sole discretion).

This warranty:

- a) Is conditional on the product being installed and used as directed in the instruction manual.
- b) Does NOT cover damage, malfunction or failure which, in Hbc's sole opinion, is the result of
 - o normal wear and tear, accident, misuse, abuse, neglect, negligence, abnormal environmental conditions, improper maintenance, unauthorized service or incorrect line voltage
 - o handling, transportation, unpacking, set-up, installation
 - o modifications, adjustments or repairs by the customer or any unauthorized service provider
 - o fire, flood or any other natural disasters
 - o signal reception problems caused by external antennae, cable systems or interference
 - o sudden electrical surges
- c) Does NOT apply to the appearance of the product
- d) Does NOT apply to any accessory items (for example an antenna, cabinet, cabinet parts, knobs, batteries, connecting cables)
- e) Applies to the original owner or gift recipient only
- f) Becomes void upon commercial or rental use, or if any serial numbers are altered, defaced or removed, or any repair or alteration outside the terms of this warranty

Repair or replacement is your exclusive remedy. Hbc will not be liable for any special, incidental or consequential damages for any reason whatsoever, including arising from the use of this product, or for any delay in the performance of this warranty due to causes beyond our control.

We may change the product design after this product was purchased, and if we do we are not obligated to make any modifications whatsoever to this product.

This warranty is in lieu of all other warranties express or implied. Hbc neither assumes nor authorizes any person or entity to assume for it or on its behalf any other obligation or liability in connection with this product. The purchaser may have other rights under existing provincial or federal laws, and where such laws prohibit or modify any terms of this warranty, those terms are deemed modified or null and void as appropriate, but the remainder of the warranty remains unchanged and in effect.



GUARANTEED in conditions of normal household use, return this item and proof of purchase to any Hbc Store for a refund or replacement at no additional charge. This return policy is valid only for the claim of purchase

Technical Service: If you have any questions, concerns, or issues regarding your Microwave that are not addressed in the "Troubleshooting" Section, you may contact the following technical service line for assistance... Technical Service – 1-866-809-8210

