

# Microwave Oven

## **INSTRUCTION MANUAL**

Model:EM131M2SD-PVH

Read these instructions carefully before using your microwave oven, and keep it carefully.

If you follow the instructions, your oven will provide you with many years of good service.

The device complies with PART 18 of FCC rules.

**SAVE THESE INSTRUCTIONS CAREFULLY**

# PRECAUTIONS TO AVOID POSSIBLE EXPOSURE TO EXCESSIVE MICROWAVE ENERGY

- (a) Do not attempt to operate this oven with the door open since open door operation can result in harmful exposure to microwave energy.  
It is important not to defeat or tamper with the safety interlocks.
- (b) Do not place any object between the oven front face and the door or allows soil or cleaner residue to accumulate on sealing surfaces.
- (c) Do not operate the oven if it is damaged. It is particularly important that the oven door close properly and that there is no damage to the:
  - (1) DOOR (bent)
  - (2) HINGES AND LATCHES (broken or loosened)
  - (3) DOOR SEALS AND SEALING SURFACES
- (d) The oven should not be adjusted or repaired by anyone except properly qualified service personnel.

## Specifications

Model:	EM131M2SD-PVH
Rated Voltage:	120V~ 60Hz
Rated Input Power(Microwave):	1200W
Rated Output Power(Microwave):	1100W
Oven Capacity:	31L
Turntable Diameter:	∅ 315mm
External Dimensions:	513 X430X 307mm
Net Weight:	Approx. 11.2kg

# IMPORTANT SAFETY INSTRUCTIONS

When using electrical appliances basic safety precautions should be followed, including the following:

**WARNING** - To reduce the risk of burns, electric shock, fire, injury to persons or exposure to excessive microwave energy:

1. Read all instructions before using the appliance.
2. Read and follow the specific: "PRECAUTIONS TO AVOID POSSIBLE EXPOSURE TO EXCESSIVE MICROWAVE ENERGY" found on page 2.
3. This appliance must be grounded. Connect only to properly grounded outlet. See "GROUNDING INSTRUCTIONS" found on page 4.
4. Install or locate this appliance only in accordance with the provided installation instructions.
5. Some products such as whole eggs and sealed containers - for example, closed glass jars - are able to explode and should not be heated in this oven.
6. Use this appliance only for its intended use as described in the manual. Do not use corrosive chemicals or vapors in this appliance. This type of oven is specifically designed to heat, cook or dry food. It is not designed for industrial or laboratory use.
7. As with any appliance, close supervision is necessary when used by children.
8. Do not operate this appliance if it has a damaged cord or plug, if it is not working properly, or if it has been damaged or dropped.
9. This appliance should be serviced only by qualified service personnel. Contact nearest authorized service facility for examination, repair, or adjustment.
10. Do not cover or block any openings on the appliance.
11. Do not store this appliance outdoors. Do not use this product near water - for example, near a kitchen sink, in a wet basement, near a swimming pool, or similar location.
12. Do not immerse cord or plug in water.
13. Keep cord away from heated surface.
14. Do not let cord hang over edge of table or counter.
15. When cleaning surfaces of door and oven that comes together on closing the door, use only mild, nonabrasive soaps, or detergent applied with a sponge or soft cloth.
16. To reduce the risk of fire in the oven cavity:
  - 1). Do not overcook food. Carefully attend appliance when paper, plastic, or other combustible materials are placed inside the oven to facilitate cooking.
  - 2). Remove wire twist-ties from paper or plastic bag before placing bag in oven.
  - 3). If material inside of the oven ignite, keep oven door closed, turn oven off, and disconnect the power cord, or shut off power at the fuse or circuit breaker panel.
  - 4). Do not use the cavity for storage purposes. Do not leave paper products, cooking utensils, or food in the cavity when not in use.
17. Liquids, such as water, coffee, or tea are able to be overheated beyond the boiling point without appearing to be boiling. Visible bubbling or boiling when the container is removed from the microwave oven is not always present.

THIS COULD RESULT IN VERY HOT LIQUID SUDDENLY BOILING OVER WHEN THE CONTAINER IS DISTURBED OR A UTENSIL IS INSERTED INTO THE LIQUID.

To reduce the risk of injury to persons:

- 1) Do not overheat the liquid.
- 2) Stir the liquid both before and halfway through heating it.
- 3) Do not use straight-sided containers with narrow necks.
- 4) After heating, allow the container to stand in the microwave oven for a short time before removing the container.
- 5) Use extreme care when inserting a spoon or other utensil into the container.

## SAVE THESE INSTRUCTIONS

## GROUNDING INSTRUCTIONS

This appliance must be grounded. In the event of an electrical short circuit, grounding reduces the risk of electric shock by providing an escape wire for the electric current. This appliance is equipped with a cord having a grounding wire with a grounding plug. The plug must be plugged into an outlet that is properly installed and grounded.

**WARNING** - Improper use of the grounding can result in a risk of electric shock.

Consult a qualified electrician or serviceman if the grounding instructions are not completely understood, or if doubt exists as to whether the appliance is properly grounded. If it is necessary to use an extension cord, use only a 3-wire extension cord that has a 3-blade grounded plug, and 3-slot receptacle that will accept the plug on the appliance. The marked rating of the extension cord shall be equal to or greater than the electrical rating of the appliance.

**DANGER** - Electric Shock Hazard

Touching some of the internal components can cause serious personal injury or death. Do not disassemble this appliance.

**WARNING** - Electric Shock Hazard

Improper use of the grounding can result in electric shock. Do not plug into an outlet until appliance is properly installed and grounded.

1. A short power-supply cord is provided to reduce the risks resulting from becoming entangled in or tripping over a longer cord.
2. Longer cord sets or extension cords are available and may be used if care is exercised in their use.
3. If a long cord or extension cord is used:
  - 1) The marked electrical rating of the cord set or extension cord should be at least as great as the electrical rating of the appliance.
  - 2) The extension cord must be a grounding-type 3-wire cord.
  - 3) The longer cord should be arranged so that it will not drape over the counter top or tabletop where it can be pulled on by children or tripped over unintentionally.

# RADIO INTERFERENCE

1. Operation of the microwave oven may cause interference to your radio, TV or similar equipment.
2. When there is interference, it may be reduced or eliminated by taking the following measures:
  - 1) Clean door and sealing surface of the oven
  - 2) Reorient the receiving antenna of radio or television.
  - 3) Relocate the microwave oven with respect to the receiver.
  - 4) Move the microwave oven away from the receiver.
  - 5) Plug the microwave oven into a different outlet so that microwave oven and receiver are on different branch circuits.

# UTENSILS

## **CAUTION - Personal Injury Hazard**

Tightly-closed utensils could explode. Closed containers should be opened and plastic pouches should be pierced before cooking.

See the instructions on "Materials you can use in microwave oven or to be avoided in microwave oven."

There may be certain non-metallic utensils that are not safe to use for microwaving. If in doubt, you can test the utensil in question following the procedure below.

### Utensil Test:

1. Fill a microwave-safe container with 1 cup of cold water (250ml) along with the utensil in question.
2. Cook on maximum power for 1 minute.
3. Carefully feel the utensil. If the empty utensil is warm, do not use it for microwave cooking.
4. Do not exceed 1 minute cooking time.

## Materials you can use in microwave oven

Utensils	Remarks
Browning dish	Follow manufacturer* instructions. The bottom of browning dish must be at least 3/16 inch (5mm) above the turntable. Incorrect usage may cause the turntable to break.
Dinnerware	Microwave-safe only. Follow manufacturer's instructions. Do not use cracked or chipped dishes.
Glass jars	Always remove lid. Use only to heat food until just warm. Most glass jars are not heat resistant and may break.
Glassware	Heat-resistant oven glassware only. Make sure there is no metallic trim. Do not use cracked or chipped dishes.
Oven cooking bags	Follow manufacturer* instructions. Do not close with metal tie. Make slits to allow steam to escape.
Paper plates and cups	Use for short*erm cooking/warming only. Do not leave oven unattended while cooking.
Paper towels	Use to cover food for reheating and absorbing fat. Use with supervision for a short-term cooking only.
Parchment paper	Use as a cover to prevent splattering or a wrap for steaming.
Plastic	Microwave-safe only. Follow the manufacturer* instructions. Should be labeled "Microwave Safe". Some plastic containers soften, as the food inside gets hot. "Boiling bags" and tightly closed plastic bags should be slit, pierced or vented as directed by package.
Plastic wrap	Microwave-safe only. Use to cover food during cooking to retain moisture. Do not allow plastic wrap to touch food.
Thermometers	Microwave-safe only (meat and candy thermometers).
Wax paper	Use as a cover to prevent splattering and retain moisture.

## Materials to be avoided in microwave oven

Utensils	Remarks
Aluminum tray	May cause arcing. Transfer food into microwave-safe dish.
Food carton with metal handle	May cause arcing. Transfer food into microwave-safe dish.
Metal or metal-trimmed utensils	Metal shields the food from microwave energy. Metal trim may cause arcing.
Metal twist ties	May cause arcing and could cause a fire in the oven.
Paper bags	May cause a fire in the oven.
Plastic foam	Plastic foam may melt or contaminate the liquid inside when exposed to high temperature.
Wood	Wood will dry out when used in the microwave oven and may split or crack.

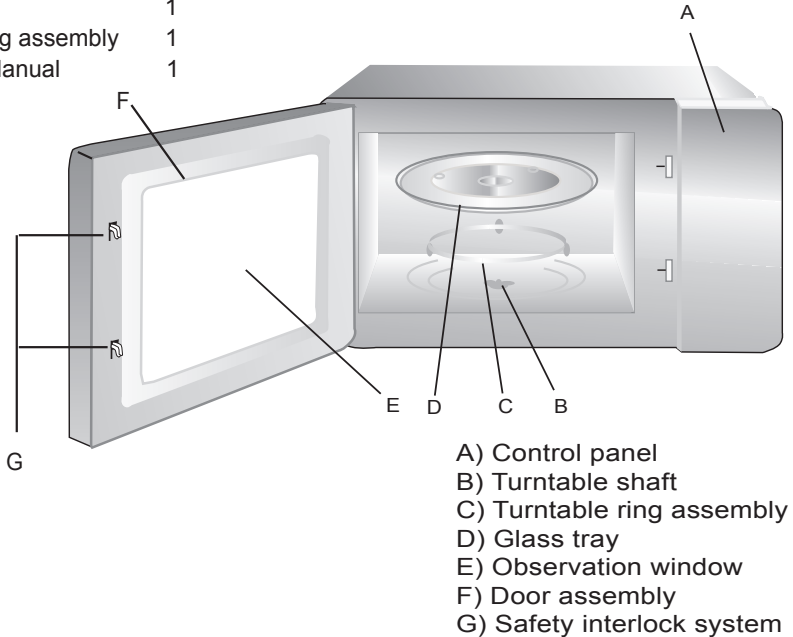
# SETTING UP YOUR OVEN

## Names of Oven Parts and Accessories

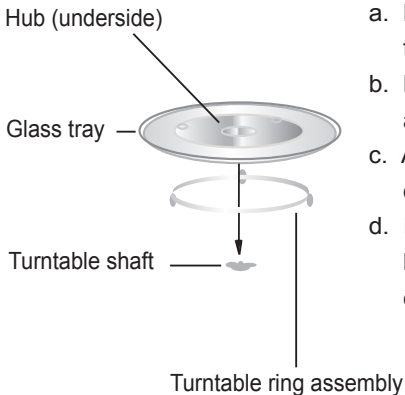
Remove the oven and all materials from the carton and oven cavity.

Your oven comes with the following accessories:

Glass tray	1
Turntable ring assembly	1
Instruction Manual	1



## Turntable Installation



- Never place the glass tray upside down. The glass tray should never be restricted.
- Both glass tray and turntable ring assembly must always be used during cooking.
- All food and containers of food are always placed on the glass tray for cooking.
- If glass tray or turntable ring assembly cracks or breaks, contact your nearest authorized service center.

# Countertop Installation

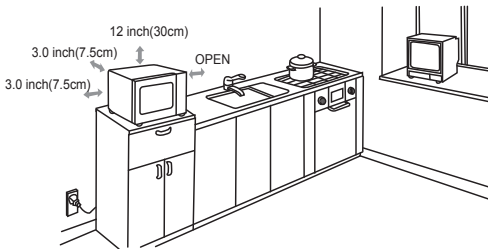
Remove all packing material and accessories. Examine the oven for any damage such as dents or broken door. Do not install if oven is damaged.

Cabinet: Remove any protective film found on the microwave oven cabinet surface. Do not remove the light brown Mica cover that is attached to the oven cavity to protect the magnetron.

---

## Installation

1. Select a level surface that provide enough open space for the intake and/or outlet vents.



A minimum clearance of 3.0 inches (7.5cm) is required between the oven and any adjacent walls. One side must be open.

- (1) Leave a minimum clearance of 12 inches (30cm) above the oven.
- (2) Do not remove the legs from the bottom of the oven.

- (3) Blocking the intake and/or outlet openings can damage the oven.
- (4) Place the oven as far away from radios and TV as possible. Operation of microwave oven may cause interference to your radio or TV reception.

2. Plug your oven into a standard household outlet. Be sure the voltage and the frequency is the same as the voltage and the frequency on the rating label.

**WARNING:** Do not install oven over a range cooktop or other heat-producing appliance. If installed near or over a heat source, the oven could be damaged and the warranty would be void.



# OPERATION

## 1. Power Level

11 power levels are available.

Level	10	9	8	7	6	5	4	3	2	1	0
Power	P100	P90	P80	P70	P60	P50	P40	P30	P20	P10	P0
Display	PL10	PL9	PL8	PL7	PL6	PL5	PL4	PL3	PL2	PL1	0

## 2. Clock Setting

When the microwave oven is plugged into a outlet, the oven will display " WELCOME ". And the "INVERTER" indicator will light.The buzzer will ring once. If press "STOP/CANCEL " once or if there is no operation within 10 seconds, the oven will enter waiting state. The screen will display "0:00".

- 1) Press "CLOCK", the screen will display 00:00 . The first hour figure will flash; ":" and other "0" will light. 3 seconds later, the screen will display "ENTER THE TIME OF DAY" once.
- 2) Press the number keys and enter the correct time. For example,time is 10:12 now, please press "1,0,1,2" in turn. 3 seconds later, the screen will display "PRESS CLOCK".
- 3) Press " CLOCK" to finish clock setting. ":" will flash and the clock will light.
- 4) If the numbers input are not within the range of 1:00--12:59, the setting will be invalid until valid numbers are input.

Note: (1)If the clock need to be reset, please repeat step 1 to step 3.

- (2)After step 2, if the " STOP/CANCEL " button is pressed or if there is no "CLOCK " button pressing within 1 minute, the oven will go back to the former clock automatically.

### 3. Kitchen Timer

- 1) Press " KITCHEN TIMER ", the screen will display 00:00 . 2 seconds later, the screen will display "ENTER TIME IN MINUTES AND SECONDS" once.
- 2) Press the number keys and enter the correct timer.(The maximum time is 99 minutes and 99 seconds). 3 seconds later, the screen will display "PRESS START". If there is no operation in 1 minute, the buzzer will ring once and the oven will go back to waiting state.
- 3) Press " START/+30SEC. " to confirm setting .
- 4) When the kitchen time arrives, the buzzer will ring 5 times.  
If the clock be set (12-hour system), the screen will display the current time.

Note: 1)The kitchen time is differ from 12-hour system,Kitchen Timer is a timer.

That is to say it pocesses the function of alarming clock.

2)During timer process,any program cannot be set.

### 4. Microwave cook

- 1) Press "COOK TIME" once, the screen will display "00:00". 2 seconds later, the screen will display "ENTER TIME IN MINUTES AND SECONDS" once.
- 2) Press number keys to input the cooking time; the maximum cooking time is 99 minutes and 99 seconds. 3 seconds later, the screen will display "PRESS START OR CHANGE NEW LEVEL" once.
- 3) Press " POWER " once, the screen will display "PL10". The default power is 100% power. 2 seconds later, the screen will display "ENTER NEW LEVEL OR PRESS START" once. Now you can press number keys to adjust the power level.
- 4) Press " START/+30SEC." to start cooking.

### 5. Speedy Cooking

- 1) In waiting state, instant cooking at 100% power level can be started by select a cooking time from 1 to 3 minutes by pressing number pads1 to 3. Press " START/+30SEC " to increase cooking time by 30 seconds. The maximum cooking time is 99 minutes and 99 seconds.
- 2) In waiting state, instant cooking at 100% power level with 30 seconds' cooking time can be started by pressing " START/+30SEC ". Each press on the same button will increase cooking time by 30 seconds. The maximum cooking time is 99 minutes and 99 seconds.

Note:1) Under microwave and time defrost states, press "START/+30SEC" button to increase cooking time by 30 seconds.

## 6. Weight Defrost Function

- 1) Press " DEFROST " once, the screen will display "weight Meat". Press " DEFROST " twice or thrice to choose "weight Poultry" or "weight Fish". 6 seconds later, the screen will display "PRESS AGAIN TO SELECT DEFROST TYPE OR ENTER COOKING WEIGHT"once and then display"0.0 LBS".
- 2) Press number buttons to set the weight of food. 3 seconds later, the screen will display "PRESS START".
- 3) Press " START/+30SEC. " to start defrosting and the cooking time remained will be displayed.

Note: The weight of food should be within 0.1-6.0 lbs. And the default power cannot be changed.

## 7. Time Defrost Function

- 1) Press " DEFROST " four times, the screen will display "TIME". 3 seconds later, the screen will display "ENTER TIME IN MINUTES AND SECONDS"once, and then display "00:00".
- 2) Press number buttons to set the defrost time. 3 seconds later, the screen will display "PRESS START".
- 3) Press " START/+30SEC. " to start defrosting and the cooking time remained will be displayed.

Note: The Max. defrosting time is 99 minutes and 99 seconds . And the default power is PL3.

## 8.Sensor Cook

- 1) In waiting state, put the food in the oven , press the Sensor menu key to select menu. The screen will display the selected menu twice and 3 seconds later, the screen will display "PRESS START".
- 2) Press "START/+30SEC" to start sensor cook function and no need to set time.
- 3) When the steaming is emanated, the buzzer will ring twice and the surplus time will display.

Note:

- 1) When cooking or reheating food, you should do these in order to have the best effect.
  - a. The room temperature cannot be over 35 degrees.
  - b. The weight of food must be more than 110g (4 Oz).
  - c. The cavity, glass tray and utensils must be kept drying before putting the food in.
  - d. The reheated food can be covered with the lid. But the lid must have a vent hole in order to emanate the steam. Sealed utensil is forbidden.
- 2) During cooking process, following points must be done.
  - a. Keep the door closed when the surplus time is not displayed or the buzzer does not sound twice.
  - b. When the buzzer sounds twice, the time will count down and display the surplus time, you can open the door to mix the food up, turn over or replace the food. And then go on the next operation.
- 3) Please leave the food alone for a while after cooking has been finished.
- 4) During sensor cooking process, if the time is not counted down, please do not open the oven door or press "STOP/CANCEL" key. Otherwise, the sensor will make mistakes.

Sensor Cook Chart

Menu	Weight	Initial Temp.	Additional Instructions
Sensor Reheat	8~18 Oz	5 degrees	Reheat food in dinner plate. When sensor time finishes, cooking time counts down. Now you can mix it and then continue reheating.
Frozen Pizza	6~10 Oz	minus 18 degrees	If the weight is over 12 OZ, please set the additional cooking time manually.
Meat	8~18 Oz	5 degrees	Break apart in glass bowl or colander. Cover with lid or vented plastic wrap. Juices should be clear when done. Drain. When cooking time counts down, press "STOP/CANCEL" to pause and open the oven door to mix and then continue to cook.
Fresh Vegetable	8~18 Oz	Room Temp.	All pieces should be the same size. Wash thoroughly, add 15g water per 125g vegetables, and cover with a lid or vented plastic wrap.
Potato	1~4 Units (6~8 Oz each one)	Room Temp.	Pierce each potato with a fork 6 times around its surface. Place potatoes around the edge of a paper-towel-lined turntable. Do not cover. If additional time is needed, continue to cook manually. Please let stand for 5 minutes in the oven after finishing to avoid burning.

## 9.POPCORN

- 1) Press " POPCORN " repeatedly until the weight you needed appears in the display. For example, press " POPCORN " once, "1.75" displays.  
3 seconds later, the screen will display "PRESS AGAIN TO SELECT SERVING SIZE OR PRESS START" once.
- 2) Press " START/+30SEC. " to cook .

Times( Press "POPCORN")	Weight	Display
Once	1.75 Oz	1.75
Twice	3.0 Oz	3.0
Thrice	3.5 Oz	3.5

## 10.MELT

- 1) Press " MELT " repeatedly until the menu you needed appears in the display .
- 2) Press " START/+30SEC. " to confirm .
- 3) Press " MELT " repeatedly to select the weight or portion of the food.
- 4) Press " START/+30SEC. " to start cooking .

Menu	Food	Weight/ Portion
Melt	Butter	1 STICK(8 Oz) 2 STICK 3 STICK
	Chocolate	4 Oz 8 Oz
	Cheese	4 Oz 8 Oz

## 11.SOFT

- 1) Press " SOFT " repeatedly until the menu you needed appears in the display.
- 2) Press " START/+30SEC. " to confirm .
- 3) Press " SOFT " repeatedly to select the weight or portion of the food.
- 4) Press " START/+30SEC. " to start cooking .

Auto Menu Chart:

<b>Menu</b>	<b>Food</b>	<b>Weight/ Portion</b>
Soft	Butter	1 STICK 2 STICK 3 STICK
	Ice cream	8 Oz 16 Oz

## 12.STEW

- 1) Press " STEW " repeatedly until the menu you needed appears in the display.
- 2) Press " START/+30SEC. " to cook .

Auto Menu Chart:

<b>Menu</b>	<b>Food</b>	<b>Weight/ Portion</b>
Stew	Chicken	4 serving
	Curry	4 serving

## 13.KEEP WARM

Press " KEEP WARM " to start working for 30 minutes. In the process of working, you can press "POWER" to inquire the current power or press " START/+30SEC " to increase the working time up to 99 minutes and 99 seconds.

## 14. MEMORY FUNCTION

- 1) Press "FAVORITE" to choose memory 1-3 procedure. "1", "2", "3" will display. 3 seconds later, the screen will display "ENTER A NEW COOKING OR PRESS FAVORITE KEY AGAIN".
- 2) Set the procedure. Only one or two microwave stages can be set.
- 3) After finishing the setting, press " START/+30SEC. " to save the procedure . 3 seconds later, the screen will display "PRESS FAVORITE KEY AGAIN OR PRESS START".
- 3) Press " START/+30SEC. " again to use the memory procedure.

Example: save one program as memory 2. To cook the food with 80% microwave power for 3 minutes and 20 seconds. Operate the following steps:

- a. In waiting states, press "FAVORITE" twice, "2" displays.
- b. Press "COOK TIME", then input number keys "3", "2", "0" to choose the cooking time.
- c. Press "POWER" once, then press number button "8", "PL8" displays.
- d. Press " START/+30SEC. " to save the current setting. If press "START/+30SEC." again, the oven will run the saved cooking program.

## 15. Multi-section cooking

At most 2 sections can be set for cooking. In multi-section cooking, if one section is defrosting, then defrosting shall be placed in the first section. When the first stage finish, the buzzer will sound once and the next stage will begin cooking.

Example: if you want to cook with 80% microwave power for 5 minutes + 60% microwave power for 10 minutes. The cooking steps are as following.

- 1) Press "COOK TIME" once, then press "5", "0", "0" to set 5 minutes.
- 2) Press "POWER" once.
- 3) Press number button "8" to set 80% microwave power.
- 4) Press "COOK TIME" once, then press "1", "0", "0", "0" to set 10 minutes.
- 5) Press "POWER" once.
- 6) Then press press number button "6" to set 60% microwave power.
- 7) Press "START/+30SEC. " to start cooking.

Note: Auto menu cannot be set as one of the multi-section.

## 16. INQUIRING FUNCTION

- 1) If the clock has been set, in cooking state, press " CLOCK ", the clock will display for three seconds.
- 2) In the microwave cooking state, press " POWER " to inquire microwave power level the current microwave power will be displayed.

## 17. LOCK FUNCTION FOR CHILDREN

Lock: In waiting state, press " STOP/CANCEL " for 3 seconds, there will be a long "beep" denoting the entering into the children-lock state; The screen will display "LOCKED", If the clock has been set, "L" and current time will display after 2 seconds.

Lock quitting: In locked state, press " STOP/CANCEL " for 3 seconds, there will be a long "beep" denoting that lock is released. The screen will display the current time or "0:00".

## 18. COOKING END REMINDING FUNCTION

When the cooking is over, the buzzer will ring 5 times and "FINISH" will flash in the screen to reminds user the cooking is finished. In order to make the appliance into the waiting state, please press " STOP/CANCEL " or open the door .

## 19. OTHER SPECIFICATIONS

- 1) " START/+30SEC " must be pressed to continue cooking if the door is opened during cooking;
- 2) The buzzer sounds once by efficient press, inefficient press will be no response.



# MAINTENANCE

## Troubleshooting

Check your problem by using the chart below and try the solutions for each problem. If the microwave oven still does not work properly, contact the nearest authorized service center.

TROUBLE	POSSIBLE CAUSE	POSSIBLE REMEDY
Oven will not start	<ul style="list-style-type: none"><li>a. Electrical cord for oven is not plugged in.</li><li>b. Door is open.</li><li>c. Wrong operation is set.</li></ul>	<ul style="list-style-type: none"><li>a. Plug into the outlet.</li><li>b. Close the door and try again.</li><li>c. Check instructions.</li></ul>
Arcing or sparking	<ul style="list-style-type: none"><li>a. Materials to be avoided in microwave oven were used.</li><li>b. The oven is operated when empty.</li><li>c. Spilled food remains in the cavity.</li></ul>	<ul style="list-style-type: none"><li>a. Use microwave-safe cookware only.</li><li>b. Do not operate with oven empty.</li><li>c. Clean cavity with wet towel.</li></ul>
Unevenly cooked foods	<ul style="list-style-type: none"><li>a. Materials to be avoided in microwave oven were used.</li><li>b. Food is not defrosted completely.</li><li>c. Cooking time, power level is not suitable.</li><li>d. Food is not turned or stirred.</li></ul>	<ul style="list-style-type: none"><li>a. Use microwave-safe cookware only.</li><li>b. Completely defrost food.</li><li>c. Use correct cooking time, power level.</li><li>d. Turn or stir food.</li></ul>
Overcooked foods	<p>Cooking time, power level is not suitable.</p>	<p>Use correct cooking time, power level.</p>
Undercooked foods	<ul style="list-style-type: none"><li>a. Materials to be avoided in microwave oven were used.</li><li>b. Food is not defrosted completely.</li><li>c. Oven ventilation ports are restricted.</li><li>d. Cooking time, power level is not suitable.</li></ul>	<ul style="list-style-type: none"><li>a. Use microwave-safe cookware only.</li><li>b. Completely defrost food.</li><li>c. Check to see that oven ventilation ports are not restricted.</li><li>d. Use correct cooking time, power level.</li></ul>
Improper defrosting	<ul style="list-style-type: none"><li>a. Materials to be avoided in microwave oven were used.</li><li>b. Cooking time, power level is not suitable.</li><li>c. Food is not turned or stirred.</li></ul>	<ul style="list-style-type: none"><li>a. Use microwave-safe cookware only.</li><li>b. Use correct cooking time, power level.</li><li>c. Turn or stir food.</li></ul>