

Microwave Oven

INSTRUCTION MANUAL

Model:EM162A5E-P0HD

Read these instructions carefully before using your microwave oven, and keep it carefully.

If you follow the instructions, your oven will provide you with many years of good service.

SAVE THESE INSTRUCTIONS CAREFULLY

PRECAUTIONS TO AVOID POSSIBLE EXPOSURE TO EXCESSIVE MICROWAVE ENERGY

- (a) Do not attempt to operate this oven with the door open since open door operation can result in harmful exposure to microwave energy.
It is important not to defeat or tamper with the safety interlocks.
- (b) Do not place any object between the oven front face and the door or allows soil or cleaner residue to accumulate on sealing surfaces.
- (c) Do not operate the oven if it is damaged. It is particularly important that the oven door close properly and that there is no damage to the:
 - (1) DOOR (bent)
 - (2) HINGES AND LATCHES (broken or loosened)
 - (3) DOOR SEALS AND SEALING SURFACES
- (d) The oven should not be adjusted or repaired by anyone except properly qualified service personnel.

Specifications

Model	EM162A5E-P0HD
Rated Voltage	120 V~ 60 Hz
Microwave Input	1500 W
Microwave Output	1100 W

IMPORTANT SAFETY INSTRUCTIONS

When using electrical appliances basic safety precautions should be followed, including the following:

WARNING - To reduce the risk of burns, electric shock, fire, injury to persons or exposure to excessive microwave energy:

1. Read all instructions before using the appliance.
2. Read and follow the specific: "PRECAUTIONS TO AVOID POSSIBLE EXPOSURE TO EXCESSIVE MICROWAVE ENERGY" found on page 2.
3. This appliance must be grounded. Connect only to properly grounded outlet. See "GROUNDING INSTRUCTIONS" found on page 4.
4. Install or locate this appliance only in accordance with the provided installation instructions.
5. Some products such as whole eggs and sealed containers - for example, closed glass jars - are able to explode and should not be heated in this oven.
6. Use this appliance only for its intended use as described in the manual. Do not use corrosive chemicals or vapors in this appliance. This type of oven is specifically designed to heat, cook or dry food. It is not designed for industrial or laboratory use.
7. As with any appliance, close supervision is necessary when used by children.
8. Do not operate this appliance if it has a damaged cord or plug, if it is not working properly, or if it has been damaged or dropped.
9. This appliance should be serviced only by qualified service personnel. Contact nearest authorized service facility for examination, repair, or adjustment.
10. Do not cover or block any openings on the appliance.
11. Do not store this appliance outdoors. Do not use this product near water - for example, near a kitchen sink, in a wet basement, near a swimming pool, or similar location.
12. Do not immerse cord or plug in water.
13. Keep cord away from heated surface.
14. Do not let cord hang over edge of table or counter.
15. When cleaning surfaces of door and oven that comes together on closing the door, use only mild, nonabrasive soaps, or detergent applied with a sponge or soft cloth.
16. To reduce the risk of fire in the oven cavity:
 - (1). Do not overcook food. Carefully attend appliance when paper, plastic, or other combustible materials are placed inside the oven to facilitate cooking.
 - (2). Remove wire twist-ties from paper or plastic bag before placing bag in oven.
 - (3). If material inside of the oven ignite, keep oven door closed, turn oven off, and disconnect the power cord, or shut off power at the fuse or circuit breaker panel.
 - (4). Do not use the cavity for storage purposes. Do not leave paper products, cooking utensils, or food in the cavity when not in use.
17. Liquids, such as water, coffee, or tea are able to be overheated beyond the boiling point without appearing to be boiling. Visible bubbling or boiling when the container is removed from the microwave oven is not always present.

THIS COULD RESULT IN VERY HOT LIQUID SUDDENLY BOILING OVER WHEN THE CONTAINER IS DISTURBED OR A UTENSIL IS INSERTED INTO THE LIQUID.

To reduce the risk of injury to persons:

- (1) Do not overheat the liquid.
- (2) Stir the liquid both before and halfway through heating it.
- (3) Do not use straight-sided containers with narrow necks.
- (4) After heating, allow the container to stand in the microwave oven for a short time before removing the container.
- (5) Use extreme care when inserting a spoon or other utensil into the container.

SAVE THESE INSTRUCTIONS

GROUNDING INSTRUCTIONS

This appliance must be grounded. In the event of an electrical short circuit, grounding reduces the risk of electric shock by providing an escape wire for the electric current. This appliance is equipped with a cord having a grounding wire with a grounding plug. The plug must be plugged into an outlet that is properly installed and grounded.

WARNING - Improper use of the grounding can result in a risk of electric shock.

Consult a qualified electrician or serviceman if the grounding instructions are not completely understood, or if doubt exists as to whether the appliance is properly grounded. If it is necessary to use an extension cord, use only a 3-wire extension cord that has a 3-blade grounded plug, and 3-slot receptacle that will accept the plug on the appliance. The marked rating of the extension cord shall be equal to or greater than the electrical rating of the appliance.

DANGER - Electric Shock Hazard

Touching some of the internal components can cause serious personal injury or death. Do not disassemble this appliance.

WARNING - Electric Shock Hazard

Improper use of the grounding can result in electric shock. Do not plug into an outlet until appliance is properly installed and grounded.

1. A short power-supply cord is provided to reduce the risks resulting from becoming entangled in or tripping over a longer cord.
2. Longer cord sets or extension cords are available and may be used if care is exercised in their use.
3. If a long cord or extension cord is used:
 - (1) The marked electrical rating of the cord set or extension cord should be at least as great as the electrical rating of the appliance.
 - (2) The extension cord must be a grounding-type 3-wire cord.
 - (3) The longer cord should be arranged so that it will not drape over the counter top or tabletop where it can be pulled on by children or tripped over unintentionally.

RADIO INTERFERENCE

1. Operation of the microwave oven may cause interference to your radio, TV or similar equipment.
2. When there is interference, it may be reduced or eliminated by taking the following measures:
 - 1) Clean door and sealing surface of the oven
 - 2) Reorient the receiving antenna of radio or television.
 - 3) Relocate the microwave oven with respect to the receiver.
 - 4) Move the microwave oven away from the receiver.
 - 5) Plug the microwave oven into a different outlet so that microwave oven and receiver are on different branch circuits.

This device complies with part 18 of the FCC Rules.

UTENSILS

CAUTION - Personal Injury Hazard

Tightly-closed utensils could explode. Closed containers should be opened and plastic pouches should be pierced before cooking.

See the instructions on "Materials you can use in microwave oven or to be avoided in microwave oven."

There may be certain non-metallic utensils that are not safe to use for microwaving. If in doubt, you can test the utensil in question following the procedure below.

Utensil Test:

1. Fill a microwave-safe container with 1 cup of cold water (250ml) along with the utensil in question.
2. Cook on maximum power for 1 minute.
3. Carefully feel the utensil. If the empty utensil is warm, do not use it for microwave cooking.
4. Do not exceed 1 minute cooking time.

Materials you can use in microwave oven

Utensils	Remarks
Browning dish	Follow manufacturer* instructions. The bottom of browning dish must be at least 3/16 inch (5mm) above the turntable. Incorrect usage may cause the turntable to break.
Dinnerware	Microwave-safe only. Follow manufacturer's instructions. Do not use cracked or chipped dishes.
Glass jars	Always remove lid. Use only to heat food until just warm. Most glass jars are not heat resistant and may break.
Glassware	Heat-resistant oven glassware only. Make sure there is no metallic trim. Do not use cracked or chipped dishes.
Oven cooking bags	Follow manufacturer* instructions. Do not close with metal tie. Make slits to allow steam to escape.
Paper plates and cups	Use for short*erm cooking/warming only. Do not leave oven unattended while cooking.
Paper towels	Use to cover food for reheating and absorbing fat. Use with supervision for a short-term cooking only.
Parchment paper	Use as a cover to prevent splattering or a wrap for steaming.
Plastic	Microwave-safe only. Follow the manufacturer* instructions. Should be labeled "Microwave Safe". Some plastic containers soften, as the food inside gets hot. "Boiling bags" and tightly closed plastic bags should be slit, pierced or vented as directed by package.
Plastic wrap	Microwave-safe only. Use to cover food during cooking to retain moisture. Do not allow plastic wrap to touch food.
Thermometers	Microwave-safe only (meat and candy thermometers).
Wax paper	Use as a cover to prevent splattering and retain moisture.

Materials to be avoided in microwave oven

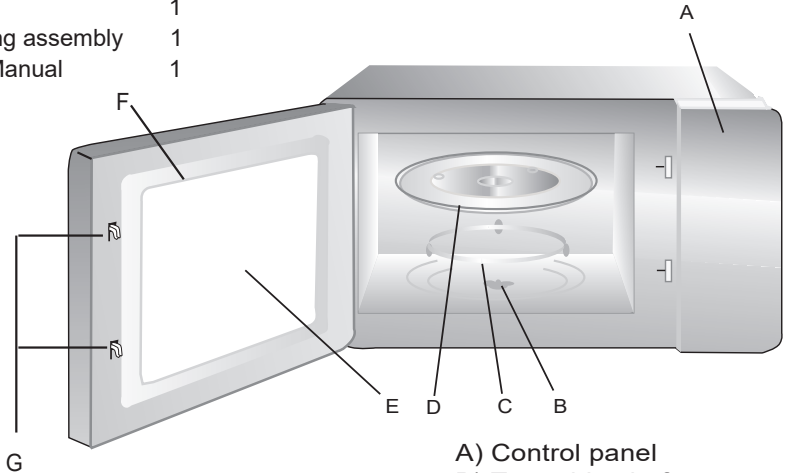
Utensils	Remarks
Aluminum tray	May cause arcing. Transfer food into microwave-safe dish.
Food carton with metal handle	May cause arcing. Transfer food into microwave-safe dish.
Metal or metal-trimmed utensils	Metal shields the food from microwave energy. Metal trim may cause arcing.
Metal twist ties	May cause arcing and could cause a fire in the oven.
Paper bags	May cause a fire in the oven.
Plastic foam	Plastic foam may melt or contaminate the liquid inside when exposed to high temperature.
Wood	Wood will dry out when used in the microwave oven and may split or crack.

NAMES OF OVEN PARTS AND ACCESSORIES

(In case of any differences between the appliance and the pictures in this manual, the product shall prevail.)

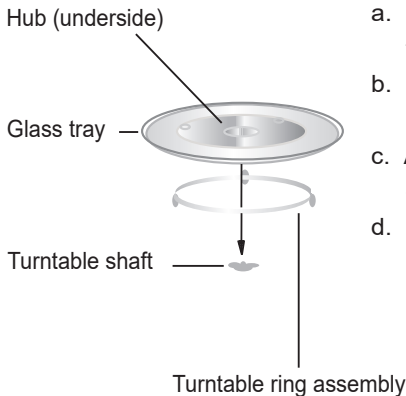
Remove the oven and all materials from the carton and oven cavity.
Your oven comes with the following accessories:

Glass tray	1
Turntable ring assembly	1
Instruction Manual	1



- A) Control panel
- B) Turntable shaft
- C) Turntable ring assembly
- D) Glass tray
- E) Observation window
- F) Door assembly
- G) Safety interlock system

Turntable Installation



- a. Never place the glass tray upside down. The glass tray should never be restricted.
- b. Both glass tray and turntable ring assembly must always be used during cooking.
- c. All food and containers of food are always placed on the glass tray for cooking.
- d. If glass tray or turntable ring assembly cracks or breaks, contact your nearest authorized service center.

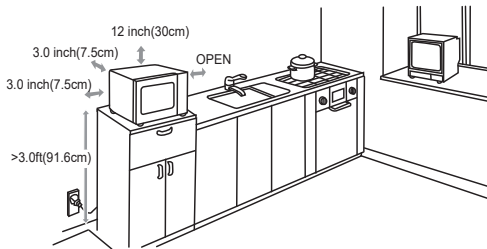
Countertop Installation

Remove all packing material and accessories. Examine the oven for any damage such as dents or broken door. Do not install if oven is damaged.

Cabinet: Remove any protective film found on the microwave oven cabinet surface. Do not remove the light brown Mica cover that is attached to the oven cavity to protect the magnetron.

Installation

1. Select a level surface that provide enough open space for the intake and/or outlet vents.



A minimum clearance of 3.0 inches (7.5cm) is required between the oven and any adjacent walls. One side must be open. The minimum installation height is 3.0ft(91.6cm).

- (1) Leave a minimum clearance of 12 inches (30cm) above the oven.
- (2) Do not remove the legs from the bottom of the oven.

- (3) Blocking the intake and/or outlet openings can damage the oven.
- (4) Place the oven as far away from radios and TV as possible. Operation of microwave oven may cause interference to your radio or TV reception.
2. Plug your oven into a standard household outlet. Be sure the voltage and the frequency is the same as the voltage and the frequency on the rating label.

WARNING: Do not install oven over a range cooktop or other heat-producing appliance. If installed near or over a heat source, the oven could be damaged and the warranty would be void.

The accessible surface may be hot during operation.



OPERATION

1. POWER LEVEL

10 power levels are available.

Power	100%	90%	80%	70%	60%	50%	40%	30%	20%	10%
Display	PL10	PL9	PL8	PL7	PL6	PL5	PL4	PL3	PL2	PL1

2. CLOCK SETTING

- (1) Press " Clock " once, "00:00" will display.
- (2) Press the number keys and enter the current time.
For example,time is 10:12 now, please press " 1,0,1,2" in turn.
- (3) Press "Clock " to finish clock setting. ":" will flash and the clock will light.
- (4) If the numbers inputted are not within the range of 1:00--12:59, the setting will be invalid.

Notes: (1) In the process of clock setting, if the "Stop/Clear" button is pressed,the oven will go back to the former setting automatically.

- (2) If the clock need to be reset, please repeat step 1 to step 3.

3. KITCHEN TIMER

- (1) Press "Kitchen Timer " once, the screen will display "00:00" .
- (2) Press the number keys to set the timer.(the maximum value is 99:99)
- (3) Press " Start/+30sec." to confirm setting, timer counts down.
- (4) When the timer time arrives, the buzzer will ring 3 times, screen display "End".

Note: Kitchen Timer and cooking functions are independent, all the cooking functions can be set during Kitchen Timer.

4. MICROWAVE COOKING

- (1) Press "COOK TIME " once, the screen will display "00:00".
- (2) Press number keys to input the cooking time; the maximum value is 99:99.
- (3) Press " POWER LEVEL " once, screen will display "PL10". The default power is 100% power. Now you can press number keys to adjust the power level.
- (4) Press " Start/+30sec." to start cooking.

5. WEIGHT DEFROST

- (1) Press " Weight Defrost " once, screen will display "0.0 lb".
- (2) Press number keys to input the weight to be defrosted.
If the weight input is not within 0.3~6.3(lb), the input will be invalid.
- (3) Press " Start/+30sec." to start defrosting.

6. TIME DEFROST

- (1) Press " Time Defrost " once, screen will display "00:00".
- (2) Press number keys to input defrosting time. The maximum value is 99:99.
- (3) Press " Start/+30sec." to start defrosting.

7. SPEEDY COOKING

- (1) In waiting state, instant cooking at 100% power level with 30 seconds can be started by pressing "Start/+30sec." . Each press on the same button will increase the time by 30 seconds. The maximum cooking time is 99 minutes and 99 seconds.
- (2) In waiting state, press number keys 1~6 to start cooking for 100% power level with the corresponding cooking time 1~6 minutes directly.

Note: During microwave cooking and time defrost , time can be added by pressing "Start/+30sec."

8. MEMORY FUNCTION

- (1) Press "Memory " to choose memory 1-3 procedure. The screen will display 1,2,3.
- (2) If the procedure has been set, press "Start/+30sec." to use it. If not, continue to set the procedure. Only one or two stages can be set.
- (3) If the procedure has not been set, after finishing the setting, press " Favorite" once to save the procedure then turn back to the waiting states.
If press " Start/+30sec." it will save the procedure then start cooking at once.

Example: To set the following procedure as the second memory which is memory 2.
(To cook the food with 80% microwave power for 3minutes and 20 seconds.)

The steps are as below:

- a. In waiting states, press "Memory" twice, the screen displays "2".
- b. Press "COOK TIME " once,then press "3","2","0" in order.
- c. Press " POWER LEVEL " once,"PL10" display,then press "8" and "PL8" displays.
- d. Press "Favorite" to save the setting. Buzzer sounds once then turn back to waiting state. If you press "Start/+30sec. ", the procedure will be saved as the memory 2 and start cooking.

- Notes: 1) Defrosting and Auto menu can not be set in memory function.
2) The procedure will still be saved if the electricity is cut off.

9. MULTI-STAGE COOKING

At most 2 stages can be set for cooking. In multi-stage cooking, if one stage is defrosting, then defrosting shall be placed at the first stage automatically.

Note: Auto menu cannot work in the multi-stage cooking.

Example: If you want to cook with 80% microwave power for 5 minutes + 60% microwave power for 10 minutes. The cooking steps are as following:

- (1) Press "COOK TIME " once,then press "5","0","0" to set the cooking time;
- (2) Press " POWER LEVEL " once, then press "8" to select 80% microwave power.
- (3) Press "COOK TIME " once, then press "1","0","0","0" to set the cooking time;
- (4) Press " POWER LEVEL " once,then press "6" to select 60% microwave power.
- (5) Press "Start/+30sec." to start cooking.

10. CHILD LOCK

You can use this function to prevent children from accidentally turning the oven on.

To Lock: In waiting state, press "Stop/Clear" for 3 seconds, there will be a long "beep" denoting the entering into the children-lock state, and the lock indicator will light. The screen will display the current time(if the clock is set) or "0:00" .

Unlock : In locked state, press " Stop/Clear " for 3 seconds, there will be a long "beep" denoting that lock is released.

11. MUTE MODE

The default mode is mute off.

In waiting state, open the door and then press "7" for 3 seconds to enter to mute mode. mute icon will display,you can operate the oven without sound. Press "7" for 3 seconds again to cancel it.

12. COOKING END REMINDING FUNCTION

At the end of cooking or kitchen timer , the buzzer will sound 5 "beeps" to alert user the operation is finished.

If you want to cancel the buzzer remind at the end of cooking or kitchen timer,in standby mode, open the door then press "8" for 3 seconds, "Good" will display.

13. INQUIRING FUNCTION

In cooking state, press " CLOCK ", the current time will display for three seconds.

14. AUTO MENU

- (1) In waiting state, press "Popcorn", "Potato", "Pizza Reheat", "Frozen Entrée", "Beverage", "Soup" to choose the desired menu.
- (2) Press the chosen menu key repeatedly to choose the weight of the food.
- (3) Press " Start/+30sec. " to start cooking.

15. SENSOR COOKING

- (1) In waiting state, press "Dinner Plate", "Fresh Vegetable" or "Frozen Vegetable", the screen will display "SC".
- (2) Press "Start/+30sec." to start sensor cooking. "SC" will flash.
- (3) The buzzer will sound once when the sensor has finished, the surplus cooking time will count down.

16. OTHER SPECIFICATON

When there is not any operation more than 5 minutes, if you set a cooking function, "door" will display when you press " Start/+30sec.", denoting that it can't work as usually (clock and kitchen timer can be set), you can open then close door and press " Start/+30sec." again to restore these cooking functions.

Menu Chart

Menu	Weight/Amount	Display
Dinner Plate	8-16 OZ	SC
Fresh Vegetable	4-16 OZ	SC
Frozen Vegetable	4-16 OZ	SC
Popcorn	1.75 OZ	1.75 OZ
	3.00 OZ	3.0 OZ
	3.30 OZ	3.3 OZ
Potato	1(8.00 Oz)	1
	2	2
	3	3
	4	4
Pizza Reheat	1 (slice)	1
	2	2
	3	3
Frozen Entrée	10.00 Oz	10.0 Oz
	20.00 Oz	20.0 Oz
Beverage	1cup(8.8OZ)	1
	2	2
Soup	1 bowl	1
	2 bowls	2
	3 bowls	3

MAINTENANCE

Troubleshooting

Check your problem by using the chart below and try the solutions for each problem. If the microwave oven still does not work properly, contact the nearest authorized service center.

TROUBLE	POSSIBLE CAUSE	POSSIBLE REMEDY
Oven will not start	<ul style="list-style-type: none">a. Electrical cord for oven is not plugged in.b. Door is open.c. Wrong operation is set.	<ul style="list-style-type: none">a. Plug into the outlet.b. Close the door and try again.c. Check instructions.
Arcing or sparking	<ul style="list-style-type: none">a. Materials to be avoided in microwave oven were used.b. The oven is operated when empty.c. Spilled food remains in the cavity.	<ul style="list-style-type: none">a. Use microwave-safe cookware only.b. Do not operate with oven empty.c. Clean cavity with wet towel.
Unevenly cooked foods	<ul style="list-style-type: none">a. Materials to be avoided in microwave oven were used.b. Food is not defrosted completely.c. Cooking time, power level is not suitable.d. Food is not turned or stirred.	<ul style="list-style-type: none">a. Use microwave-safe cookware only.b. Completely defrost food.c. Use correct cooking time, power level.d. Turn or stir food.
Overcooked foods	<p>Cooking time, power level is not suitable.</p>	<p>Use correct cooking time, power level.</p>
Undercooked foods	<ul style="list-style-type: none">a. Materials to be avoided in microwave oven were used.b. Food is not defrosted completely.c. Oven ventilation ports are restricted.d. Cooking time, power level is not suitable.	<ul style="list-style-type: none">a. Use microwave-safe cookware only.b. Completely defrost food.c. Check to see that oven ventilation ports are not restricted.d. Use correct cooking time, power level.
Improper defrosting	<ul style="list-style-type: none">a. Materials to be avoided in microwave oven were used.b. Cooking time, power level is not suitable.c. Food is not turned or stirred.	<ul style="list-style-type: none">a. Use microwave-safe cookware only.b. Use correct cooking time, power level.c. Turn or stir food.