

Cooking quickly

- 1 Press **START/+30SEC** to instantly cook something at 100% power for 30 seconds.
OR
Press **1, 2, or 3** on the number pad to instantly cook something at 100% power for 1-3 minutes.
- 2 To increase the time in 30 second increments, press **START/+30SEC** repeatedly. The maximum cooking time is 99 minutes and 99 seconds.

Note: You cannot increase cook time when using multi-stage cooking, defrost, or auto-menu items.

Defrosting in your microwave

Defrosting by weight

- 1 Press **WEIGHT DEFROST**. The display shows "0.0".
- 2 Use the number pad to enter the weight of the item to be defrosted (in pounds). The input weight must be between 0.1~6.0 pounds.
- 3 Press **START** to start defrosting. The remaining cooking time is displayed.

Defrosting by time

- 1 Press **TIME DEFROST**. The display shows "0:00".
- 2 Use the number pad to enter the defrosting time you want. The time range must be between 00:01 and 99:99.
- 3 Press **START** to start defrosting. The remaining cooking time is displayed.

Cooking with the auto menu

- 1 Repeatedly press the button of a food item (**POPCORN, POTATO, BEVERAGE, or REHEAT**) until the display shows the correct serving amount (see table below).

AUTO MENU BUTTON	AMOUNT	POWER LEVEL
Popcorn	1.75 oz.	100%
	3.00 oz.	
	3.5 oz.	
Potato	1 serving	100%
	2 servings	
	3 servings	
	4 servings	
Beverage	1 cup	100%
	2 cups	
	3 cups	
Re-heat	8.0 oz.	100%
	16.0 oz.	
	24.0 oz.	

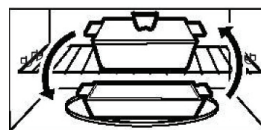
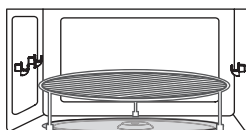
- 2 Press **START**.

Checking the time, power level, or temperature while cooking

- To check the time while cooking a meal, press **CLOCK**. The display shows the current time for three seconds, then returns to the cooking time remaining.
- To check the power level while cooking a meal, press **POWER LEVEL**. The display shows the power level being used for three seconds, then returns to the cooking time remaining.
- To check the temperature while cooking in convection mode, press **CONVECTION**. The display shows the power level being used for three seconds, then returns to the cooking time remaining. If you need to change the temperature, you must stop cooking, then restart.

Using the wire rack and shelf

- The wire rack and shelf let you heat multiple dishes of food at the same time. To cook evenly, switch the food (on the turntable or rack) around after half of the cook time has expired.



INSIGNIA™

1.5 Cu. Ft. Over-the-Range Convection Microwave

ONE-YEAR LIMITED WARRANTY**Definitions:**

The Distributor* of Insignia branded products warrants to you, the original purchaser of this new Insignia-branded product ("Product"), that the Product shall be free of defects in the original manufacturer of the material or workmanship for a period of one (1) year from the date of your purchase of the Product ("Warranty Period").

For this warranty to apply, your Product must be purchased in the United States or Canada from a Best Buy branded retail store or online at www.bestbuy.com or www.bestbuy.ca, and is packaged with this warranty statement.

How long does the coverage last?

The Warranty Period lasts for 1 year (365 days) from the date you purchased the Product. Your purchase date is printed on the receipt you received with the Product.

What does this warranty cover?

During the Warranty Period, if the original manufacture of the material or workmanship of the Product is determined to be defective by an authorized Insignia repair center or store personnel, Insignia will (at its sole option): (1) repair the Product with new or rebuilt parts; or (2) replace the Product at no charge with new or rebuilt comparable products or parts. Products and parts replaced under this warranty become the property of Insignia and are not returned to you. If service of Products or parts are required after the Warranty Period expires, you must pay all labor and parts charges. This warranty lasts as long as you own your Insignia Product during the Warranty Period. Warranty coverage terminates if you sell or otherwise transfer the Product.

How to obtain warranty service?

If you purchased the Product at a Best Buy retail store location, please take your original receipt and the Product to any Best Buy store. Make sure that you place the Product in its original packaging or packaging that provides the same amount of protection as the original packaging. If you purchased the Product from a Best Buy online web site (www.bestbuy.com or www.bestbuy.ca), mail your original receipt and the Product to the address listed on the web site. Make sure that you put the Product in its original packaging or packaging that provides the same amount of protection as the original packaging.

To obtain warranty service, in the United States call 1-888-BESTBUY, Canada call 1-866-BESTBUY. Call agents may diagnose and correct the issue over the phone.

Where is the warranty valid?

This warranty is valid only in the United States and Canada at Best Buy branded retail stores or websites to the original purchaser of the product in the county where the original purchase was made.

What does the warranty not cover?

This warranty does not cover:

- Food loss/spoilage due to failure of refrigerator or freezer
- Customer instruction/education
- Installation
- Set up adjustments
- Cosmetic damage
- Damage due to weather, lightning, and other acts of God, such as power surges
- Accidental damage
- Misuse
- Abuse
- Negligence
- Commercial purposes/use, including but not limited to use in a place of business or in communal areas of a multiple dwelling condominium or apartment complex, or otherwise used in a place of other than a private home.
- Modification of any part of the Product, including the antenna
- Display panel damaged by static (non-moving) images applied for lengthy periods (burn-in).
- Damage due to incorrect operation or maintenance
- Connection to an incorrect voltage or power supply
- Attempted repair by any person not authorized by Insignia to service the Product
- Products sold "as is" or "with all faults"
- Consumables, including but not limited to batteries (i.e. AA, AAA, C etc.)
- Products where the factory applied serial number has been altered or removed
- Loss or Theft of this product or any part of the product
- Display panels containing up to three (3) pixel failures (dots that are dark or incorrectly illuminated) grouped in an area smaller than one tenth (1/10) of the display size or up to five (5) pixel failures throughout the display. (Pixel based displays may contain a limited number of pixels that may not function normally.)
- Failures or Damage caused by any contact including but not limited to liquids, gels or pastes.

REPAIR REPLACEMENT AS PROVIDED UNDER THIS WARRANTY IS YOUR EXCLUSIVE REMEDY FOR BREACH OF WARRANTY. INSIGNIA SHALL NOT BE LIABLE FOR ANY INCIDENTAL OR CONSEQUENTIAL DAMAGES FOR THE BREACH OF ANY EXPRESS OR IMPLIED WARRANTY ON THIS PRODUCT, INCLUDING, BUT NOT LIMITED TO, LOST DATA, LOSS OF USE OF YOUR PRODUCT, LOST BUSINESS OR LOST PROFITS. INSIGNIA PRODUCTS MAKES NO OTHER EXPRESS WARRANTIES WITH RESPECT TO THE PRODUCT, ALL EXPRESS AND IMPLIED WARRANTIES FOR THE PRODUCT, INCLUDING, BUT NOT LIMITED TO, ANY IMPLIED WARRANTIES OF AND CONDITIONS OF MERCHANTABILITY AND FITNESS FOR A PARTICULAR PURPOSE, ARE LIMITED IN DURATION TO THE WARRANTY PERIOD SET FORTH ABOVE AND NO WARRANTIES, WHETHER EXPRESS OR IMPLIED, WILL APPLY AFTER THE WARRANTY PERIOD. SOME STATES, PROVINCES AND JURISDICTIONS DO NOT ALLOW LIMITATIONS ON HOW LONG AN IMPLIED WARRANTY LASTS, SO THE ABOVE LIMITATION MAY NOT APPLY TO YOU. THIS WARRANTY GIVES YOU SPECIFIC LEGAL RIGHTS, AND YOU MAY ALSO HAVE OTHER RIGHTS, WHICH VARY FROM STATE TO STATE OR PROVINCE TO PROVINCE.

Contact Insignia:

For customer service please call 1-877-467-4289

www.insigniaproducts.com

INSIGNIA is a trademark of Best Buy and its affiliated companies.

Distributed by Best Buy Purchasing, LLC

7601 Penn Ave South, Richfield, MN 55423 U.S.A.

©2018 Best Buy. All rights reserved.

Made in China

Specifications

Model	TC942K6AL
Rated voltage	120V / 60 Hz
Rated input power	1500W
Rated output power	Microwave: 900W Convection:1450W
Microwave capacity	1.5 cu. ft. (42 L)
Turntable diameter	13.6 in. (34.5 cm)
External dimensions (L × W × D)	29.9 × 15.0 × 16.4 in. (75.9 × 38.2 × 41.7 cm)
Internal dimensions (L × W × D)	20.2 × 14 × 8.9 in. (51.4 × 35.6 × 22.7 cm)
Charcoal filter dimensions (L × W)	10.2 × 2.3 in. (26.0 × 6.0 cm)
Power cord length	39 in. (100 cm)
Net weight	62.2 lbs. (28.2 kg)

Troubleshooting

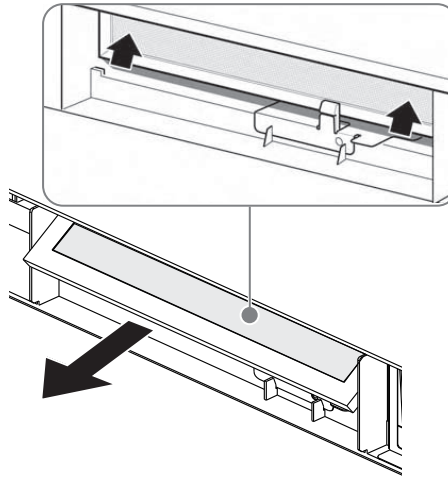
If you have a problem with your microwave, review the following chart for a possible solution. If the microwave still does not work properly, contact the nearest authorized service center.

PROBLEM	POSSIBLE CAUSE	POSSIBLE SOLUTION
Microwave will not start	The electrical cord is not plugged in.	Plug in the electrical cord.
	The door is open.	Close the door and try again.
	The wrong operation is set.	Check the instructions and try again.
Arcing or sparking in the microwave	You are attempting to use incorrect materials in the microwave.	Use only microwave-safe materials.
	You are attempting to use the microwave when it's empty.	Do not operate the microwave when it's empty.
	Spilled food remains in the microwave.	Clean the microwave with a wet towel.
Unevenly cooked foods	You are attempting to use incorrect materials in the microwave.	Use only microwave-safe materials.
	The food is not defrosted completely.	Defrost the food completely before attempting to cook it.
	The cooking time or power level is not adequate to cook the food.	Use the correct cooking time and power level.
	The food is not turned or stirred.	Turn or stir the food.
Overcooked foods	The cooking time or power level is not adequate to cook the food.	Use the correct cooking time and power level.
Undercooked foods	You are attempting to use incorrect materials in the microwave.	Use only microwave-safe materials.
	The food is not defrosted completely.	Defrost the food completely before attempting to cook it.
	The cooking time or power level is not adequate to cook the food.	Use the correct cooking time and power level.
	The microwave ventilation ports are blocked or restricted.	Make sure that the ventilation ports are not blocked or restricted.
Improper defrosting	You are attempting to use incorrect materials in the microwave.	Use only microwave-safe materials.
	The cooking time or power level is not adequate to cook the food.	Use the correct cooking time and power level.
	The food is not turned or stirred.	Turn or stir the food.
The vent fan turns on by itself	The fan automatically starts when heat rises from range surface units or burners and stays on until the temperature decreases. This protects the microwave from excessive temperatures.	Your microwave is operating normally. The fan cannot be turned off manually during this time.
The ":" colon on my display is blinking	This is normal behavior.	The colon blinks to count seconds when the clock is set.

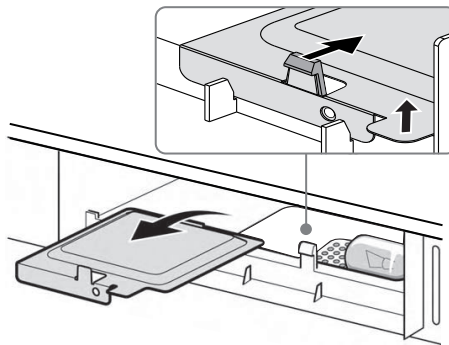
Customer service

Call Insignia Customer Service at 1-877-467-4289.

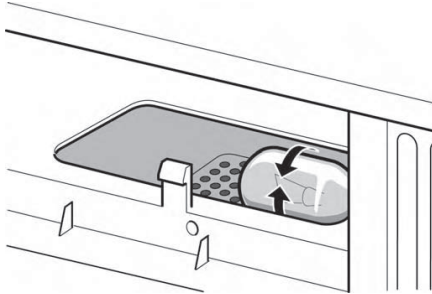
- 3** To remove the charcoal filter, push it inward, then lift it up and pull it away from the microwave.



- 4** Open the light cover (behind the filter mount) by carefully pulling up on its front edge.

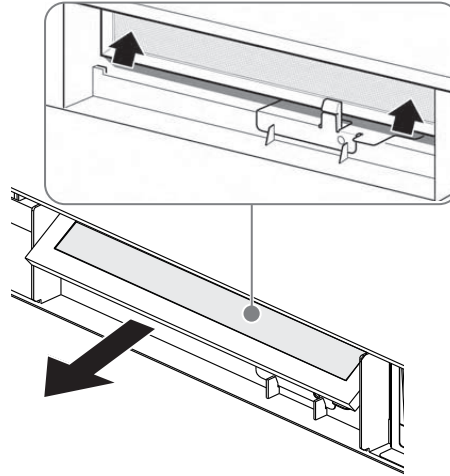


- 5** Remove the old light bulb and replace with a new, equivalent bulb. Do not use a bulb larger than 30W.



- 6** Push the light cover back into place and replace the charcoal filter.
7 Replace the vent grill (make sure that the tabs lock into place) and secure with the two screws.
8 Turn your circuit breaker back on, or plug in your microwave.

- 3 To remove the charcoal filter, push it inward, then lift it up and pull it away from the microwave.

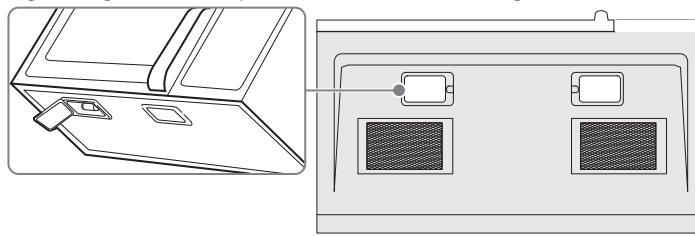


- 4 Insert a new charcoal filter. Make sure that the wire mesh is visible from the front.
 5 Replace the vent grill (make sure that its tabs lock into place) and secure it with the two screws.
 6 Turn your circuit breaker back on, or plug in your microwave.

Changing the light bulbs

Countertop light (exterior)

- 1 Disconnect power to the microwave at the circuit breaker or by unplugging it.
 2 Remove the screw holding the light cover in place, then remove the light cover.

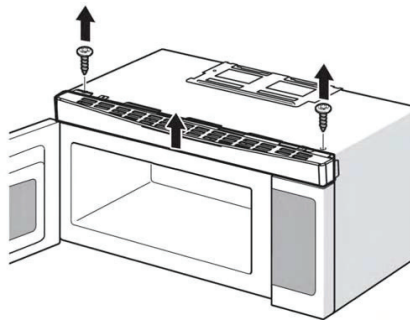


CAUTION: The light cover may become very hot. Do not touch the glass when the light is on.

- 3 Remove the old light bulb, then replace with a new, equivalent bulb. Do not use a bulb larger than 30W.
 4 Replace the light cover and secure it with the screw.
 5 Turn your circuit breaker back on, or plug in your microwave.

Microwave light (interior)

- 1 Disconnect power to the microwave at the circuit breaker or by unplugging it.
 2 Remove the two vent grill screws, then pull the vent grill away from the microwave.



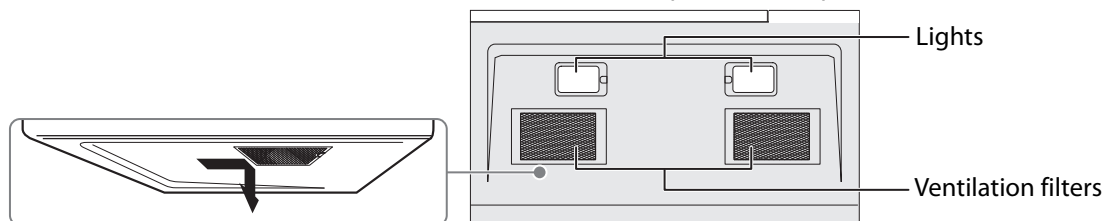
Cleaning and replacing the filters

Cleaning the exhaust filters

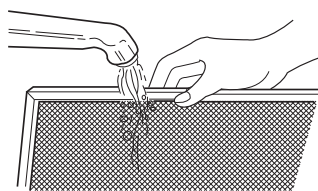
Clean the filters at least once a month.

CAUTION: To avoid risk of personal injury or property damage, do not use the fan or microwave without the filters in place.

- 1 To remove a filter, slide it toward the back of the microwave and pull down. Repeat to remove the second filter.

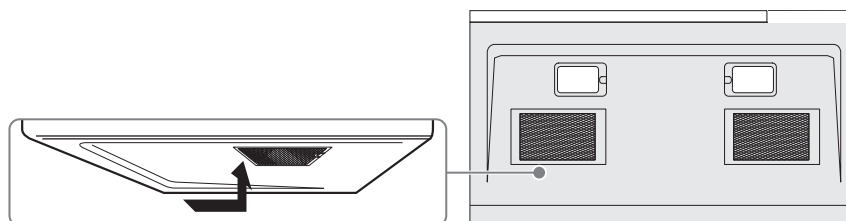


- 2 Soak the filters in a sink or dish pan filled with hot water and detergent, then scrub the filter with a brush to remove embedded dirt.
OR
Wash your filters in a dishwasher.



CAUTION: DO NOT use ammonia or other alkali. They will corrode and darken your filters.

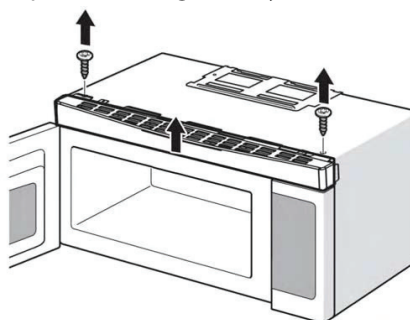
- 3 Rinse thoroughly and shake dry.
- 4 To reinstall your filter, slide it into the slot underneath your microwave, then push up to secure it. Repeat to install the second filter.



Replacing the charcoal filter

A charcoal filter is used for nonvented, recirculated installation. The filter should be changed every 6 to 12 months depending on use.

- 1 Disconnect power to the microwave at the circuit breaker or by unplugging it.
- 2 Remove the two vent grill screws, then pull the vent grill away from the microwave.



Using the light

- Press **Light/On/Off** to turn on or off the light underneath your microwave.

Note: To change a light bulb, see “Changing the light bulbs” on page 14.

Using the vent fan

Your microwave’s vent fan works as a range hood to filter out smoke and other odors from cooking.

- Press **Exhaust HI.LO.OFF** repeatedly to cycle between high speed, low speed, or off.

Note: You can use the vent fan while cooking in the microwave.

- The fan automatically starts when heat rises from range surface units or burners and stays on until the temperature decreases. It cannot be turned off manually during this time. This protects the microwave from excessive temperatures.

Using the child lock

- To lock the microwave, press and hold **STOP/CANCEL** for three seconds while in standby mode. The microwave beeps and a lock indicator appears on the display.
- To unlock the microwave, press and hold **STOP/CANCEL** until the lock indicator disappears (about three seconds).

Cleaning and maintaining your microwave

Cleaning the outside of your microwave

Exterior

The outside surface is precoated steel and plastic. Clean the outside with mild soap and water, then rinse and dry with a soft cloth. Do not use any type of household or abrasive cleaner.

Door

Wipe the window on both sides with a damp cloth to remove any spills or spatters. Metal parts are easier to maintain if wiped frequently with a damp cloth. Avoid the use of spray and other harsh cleaners as they may stain, streak, or dull the door surface.

Control panel

If the control panel is dirty, open the microwave door before cleaning. Wipe the panel with a cloth dampened slightly with water only. Dry with a soft cloth. Do not scrub or use any sort of chemical cleaners. Close the door and press **STOP** to clear any buttons you may have pressed.

Cleaning the inside of your microwave

Interior

Wipe with a soft cloth and warm water. Do not use abrasive or harsh cleaners or scouring pads. For baked-on food, use baking soda or a mild soap, then rinse thoroughly with hot water.

Waveguide cover

The waveguide cover is located on the ceiling inside the microwave cavity. It is made from mica so requires special care. Keep the waveguide cover clean to assure good microwave performance. Carefully wipe with a damp cloth any food spatters from the surface of the cover immediately after they occur. Built-up splashes may overheat and cause smoke or possibly catch fire. **DO NOT REMOVE THE WAVEGUIDE COVER.**

Removing odors

Occasionally, a cooking odor may remain in the microwave. To remove, combine one cup water, grated peel and juice of one lemon, and several whole cloves in a two-cup glass measuring cup. Boil for several minutes using 100% power, then let it cool in the microwave. Wipe the interior with a soft cloth.

Turntable

Remove the turntable and wash it in mild, sudsy water. For stubborn stains, use a mild cleanser and non-abrasive scouring sponge. You can also wash them in the top rack of a dishwasher.

The turntable motor shaft is not sealed, so excess water or spills should be wiped up immediately.