

Microwave Oven

INSTRUCTION MANUAL

Model:AM234A2PD-PVH

Read these instructions carefully before using your microwave oven, and keep it carefully.

If you follow the instructions, your oven will provide you with many years of good service.

SAVE THESE INSTRUCTIONS CAREFULLY

PRECAUTIONS TO AVOID POSSIBLE EXPOSURE TO EXCESSIVE MICROWAVE ENERGY

(a) Do not attempt to operate this oven with the door open since open door operation can result in harmful exposure to microwave energy.

It is important not to defeat or tamper with the safety interlocks.

(b) Do not place any object between the oven front face and the door or allows soil or cleaner residue to accumulate on sealing surfaces.

(c) Do not operate the oven if it is damaged. It is particular important that the oven door close properly and that there is no damage to the:

- (1) door (bent),
- (2) hinges and latches (broken or loosened),
- (3) door seals and sealing surfaces.

(d) The oven should not be adjusted or repaired by anyone except properly qualified service personnel.

Specifications

Model:	AM234A2PD-PVH
Rated Voltage:	120V~60Hz
Rated Input Power (Microwave):	1350 Watt
Rated Output Power (Microwave):	1200 Watt
Oven Capacity:	1.2Cu.ft
Turntable Diameter:	12.4 inches
External Dimensions:	20.4X16.7X12.4 inches
Net Weight:	Approx. 25.4Lbs

IMPORTANT SAFETY INSTRUCTIONS

When using electrical appliances basic safety precautions should be followed, including the following:

WARNING - To reduce the risk of burns, electric shock, fire, injury to persons or exposure to excessive microwave energy:

1. Read all instructions before using the appliance.
2. Read and follow the specific: "PRECAUTIONS TO AVOID POSSIBLE EXPOSURE TO EXCESSIVE MICROWAVE ENERGY" found on page 2.
3. This appliance must be grounded. Connect only to properly grounded outlet. See "GROUNDING INSTRUCTIONS" found on page 4.
4. Install or locate this appliance only in accordance with the provided installation instructions.
5. Some products such as whole eggs and sealed containers - for example, closed glass jars - are able to explode and should not be heated in this oven.
6. Use this appliance only for its intended use as described in the manual. Do not use corrosive chemicals or vapors in this appliance. This type of oven is specifically designed to heat, cook or dry food. It is not designed for industrial or laboratory use.
7. As with any appliance, close supervision is necessary when used by children.
8. Do not operate this appliance if it has a damaged cord or plug, if it is not working properly, or if it has been damaged or dropped.
9. This appliance should be serviced only by qualified service personnel. Contact nearest authorized service facility for examination, repair, or adjustment.
10. Do not cover or block any openings on the appliance.
11. Do not store this appliance outdoors. Do not use this product near water - for example, near a kitchen sink, in a wet basement, near a swimming pool, or similar location.
12. Do not immerse cord or plug in water.
13. Keep cord away from heated surface.
14. Do not let cord hang over edge of table or counter.
15. When cleaning surfaces of door and oven that comes together on closing the door, use only mild, nonabrasive soaps, or detergent applied with a sponge or soft cloth.
16. To reduce the risk of fire in the oven cavity:
 - 1). Do not overcook food. Carefully attend appliance when paper, plastic, or other combustible materials are placed inside the oven to facilitate cooking.
 - 2). Remove wire twist-ties from paper or plastic bag before placing bag in oven.
 - 3). If material inside of the oven ignite, keep oven door closed, turn oven off, and disconnect the power cord, or shut off power at the fuse or circuit breaker panel.
 - 4). Do not use the cavity for storage purposes. Do not leave paper products, cooking utensils, or food in the cavity when not in use.
17. Liquids, such as water, coffee, or tea are able to be overheated beyond the boiling point without appearing to be boiling. Visible bubbling or boiling when the container is removed from the microwave oven is not always present.

This device complies with PART 18 of FCC rules.

THIS COULD RESULT IN VERY HOT LIQUID SUDDENLY BOILING OVER WHEN THE CONTAINER IS DISTURBED OR A UTENSIL IS INSERTED INTO THE LIQUID.

To reduce the risk of injury to persons:

- 1) Do not overheat the liquid.
- 2) Stir the liquid both before and halfway through heating it.
- 3) Do not use straight-sided containers with narrow necks.
- 4) After heating, allow the container to stand in the microwave oven for a short time before removing the container.
- 5) Use extreme care when inserting a spoon or other utensil into the container.

SAVE THESE INSTRUCTIONS

GROUNDING INSTRUCTIONS

This appliance must be grounded. In the event of an electrical short circuit, grounding reduces the risk of electric shock by providing an escape wire for the electric current. This appliance is equipped with a cord having a grounding wire with a grounding plug. The plug must be plugged into an outlet that is properly installed and grounded.

WARNING - Improper use of the grounding can result in a risk of electric shock.

Consult a qualified electrician or serviceman if the grounding instructions are not completely understood, or if doubt exists as to whether the appliance is properly grounded. If it is necessary to use an extension cord, use only a 3-wire extension cord that has a 3-blade grounded plug, and 3-slot receptacle that will accept the plug on the appliance. The marked rating of the extension cord shall be equal to or greater than the electrical rating of the appliance.

DANGER - Electric Shock Hazard

Touching some of the internal components can cause serious personal injury or death. Do not disassemble this appliance.

WARNING - Electric Shock Hazard

Improper use of the grounding can result in electric shock. Do not plug into an outlet until appliance is properly installed and grounded.

1. A short power-supply cord is provided to reduce the risks resulting from becoming entangled in or tripping over a longer cord.
2. Longer cord sets or extension cords are available and may be used if care is exercised in their use.
3. If a long cord or extension cord is used:
 - 1) The marked electrical rating of the cord set or extension cord should be at least as great as the electrical rating of the appliance.
 - 2) The extension cord must be a grounding-type 3-wire cord.
 - 3) The longer cord should be arranged so that it will not drape over the counter top or tabletop where it can be pulled on by children or tripped over unintentionally.

RADIO INTERFERENCE

1. Operation of the microwave oven may cause interference to your radio, TV or similar equipment.
2. When there is interference, it may be reduced or eliminated by taking the following measures:
 - 1) Clean door and sealing surface of the oven
 - 2) Reorient the receiving antenna of radio or television.
 - 3) Relocate the microwave oven with respect to the receiver.
 - 4) Move the microwave oven away from the receiver.
 - 5) Plug the microwave oven into a different outlet so that microwave oven and receiver are on different branch circuits.

UTENSILS

CAUTION - Personal Injury Hazard

Tightly-closed utensils could explode. Closed containers should be opened and plastic pouches should be pierced before cooking.

See the instructions on "Materials you can use in microwave oven or to be avoided in microwave oven."

There may be certain non-metallic utensils that are not safe to use for microwaving. If in doubt, you can test the utensil in question following the procedure below.

Utensil Test:

1. Fill a microwave-safe container with 1 cup of cold water (250ml) along with the utensil in question.
2. Cook on maximum power for 1 minute.
3. Carefully feel the utensil. If the empty utensil is warm, do not use it for microwave cooking.
4. Do not exceed 1 minute cooking time.

Materials you can use in microwave oven

Utensils	Remarks
Aluminum foil	Shielding only. Small smooth pieces can be used to cover thin parts of meat or poultry to prevent overcooking. Arcing can occur if foil is too close to oven walls. The foil should be at least 1 inch (2.5cm) away from oven walls.
Browning dish	Follow manufacturer* instructions. The bottom of browning dish must be at least 3/16 inch (5mm) above the turntable. Incorrect usage may cause the turntable to break.
Dinnerware	Microwave-safe only. Follow manufacturer's instructions. Do not use cracked or chipped dishes.
Glass jars	Always remove lid. Use only to heat food until just warm. Most glass jars are not heat resistant and may break.
Glassware	Heat-resistant oven glassware only. Make sure there is no metallic trim. Do not use cracked or chipped dishes.
Oven cooking bags	Follow manufacturer* instructions. Do not close with metal tie. Make slits to allow steam to escape.
Paper plates and cups	Use for short*erm cooking/warming only. Do not leave oven unattended while cooking.
Paper towels	Use to cover food for reheating and absorbing fat. Use with supervision for a short-term cooking only.
Parchment paper	Use as a cover to prevent splattering or a wrap for steaming.
Plastic	Microwave-safe only. Follow the manufacturer* instructions. Should be labeled "Microwave Safe". Some plastic containers soften, as the food inside gets hot. "Boiling bags" and tightly closed plastic bags should be slit, pierced or vented as directed by package.
Plastic wrap	Microwave-safe only. Use to cover food during cooking to retain moisture. Do not allow plastic wrap to touch food.
Thermometers	Microwave-safe only (meat and candy thermometers).
Wax paper	Use as a cover to prevent splattering and retain moisture.

Materials to be avoided in microwave oven

Utensils	Remarks
Aluminum tray	May cause arcing. Transfer food into microwave-safe dish.
Food carton with metal handle	May cause arcing. Transfer food into microwave-safe dish.
Metal or metal-trimmed utensils	Metal shields the food from microwave energy. Metal trim may cause arcing.
Metal twist ties	May cause arcing and could cause a fire in the oven.
Paper bags	May cause a fire in the oven.
Plastic foam	Plastic foam may melt or contaminate the liquid inside when exposed to high temperature.
Wood	Wood will dry out when used in the microwave oven and may split or crack.

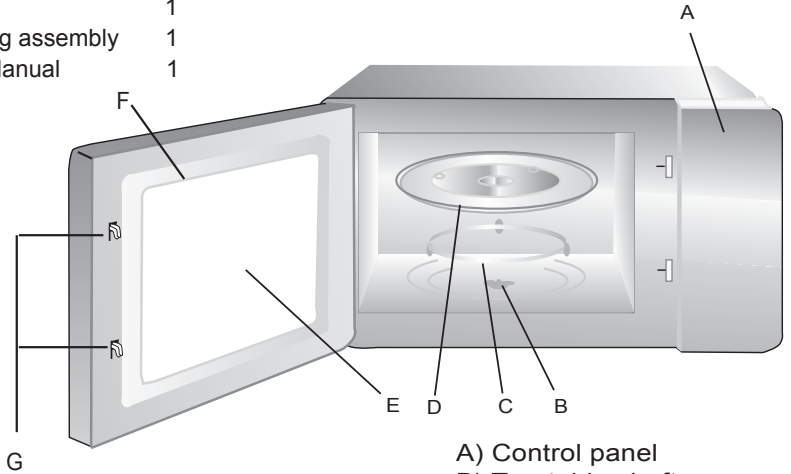
SETTING UP YOUR OVEN

Names of Oven Parts and Accessories

Remove the oven and all materials from the carton and oven cavity.

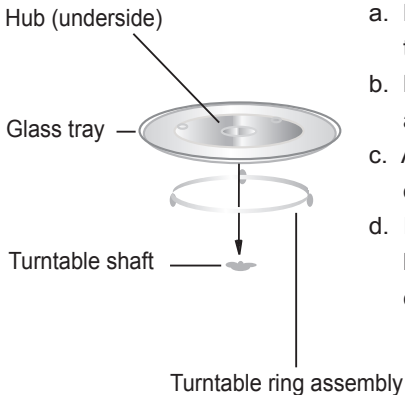
Your oven comes with the following accessories:

Glass tray	1
Turntable ring assembly	1
Instruction Manual	1



- A) Control panel
- B) Turntable shaft
- C) Turntable ring assembly
- D) Glass tray
- E) Observation window
- F) Door assembly
- G) Safety interlock system

Turntable Installation



- a. Never place the glass tray upside down. The glass tray should never be restricted.
- b. Both glass tray and turntable ring assembly must always be used during cooking.
- c. All food and containers of food are always placed on the glass tray for cooking.
- d. If glass tray or turntable ring assembly cracks or breaks, contact your nearest authorized service center.

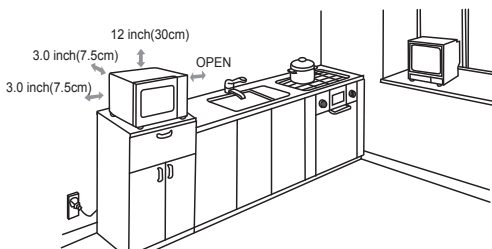
Countertop Installation

Remove all packing material and accessories. Examine the oven for any damage such as dents or broken door. Do not install if oven is damaged.

Cabinet: Remove any protective film found on the microwave oven cabinet surface. Do not remove the light brown Mica cover that is attached to the oven cavity to protect the magnetron.

Installation

1. Select a level surface that provide enough open space for the intake and/or outlet vents.



A minimum clearance of 3.0 inches (7.5cm) is required between the oven and any adjacent walls. One side must be open.

- (1) Leave a minimum clearance of 12 inches (30cm) above the oven.
- (2) Do not remove the legs from the bottom of the oven.

- (3) Blocking the intake and/or outlet openings can damage the oven.
 - (4) Place the oven as far away from radios and TV as possible. Operation of microwave oven may cause interference to your radio or TV reception.
2. Plug your oven into a standard household outlet. Be sure the voltage and the frequency is the same as the voltage and the frequency on the rating label.

WARNING: Do not install oven over a range cooktop or other heat-producing appliance. If installed near or over a heat source, the oven could be damaged and the warranty would be void.

OPERATION

1. Power Level

11 power levels are available.

Level	10	9	8	7	6	5	4	3	2	1	0
Power	P100	P90	P80	P70	P60	P50	P40	P30	P20	P10	P0
Display	PL10	PL9	PL8	PL7	PL6	PL5	PL4	PL3	PL2	PL1	0

2. Clock Setting

- (1) Press " **CLOCK** ", " 00:00 " will display. The first hour figure will flash.
The " : " will be lighted.
- (2) Press the number keys and enter the current time. For example, time is 12:10 now, please press "1, 2, 1, 0 "in turn. If the numbers input are not within the range of 1:00--12:59, the setting will be invalid until valid numbers are input.
- (3) Press " **CLOCK** " to finish clock setting. ":" will flash and the clock will be lighted.
- (4) If the clock need to be reset, please repeat step 1 to step 3.

Note: (1) In the process of clock setting, if the "**STOP/CANCEL**" button is pressed or if there is no operation within 1 minute, the oven will go back to the former setting automatically.

- (2) The clock will not work if it is not set when powered.

3. Kitchen Timer

- (1) Press " **TIMER** ", the screen will display "00:00".
- (2) Press the number keys and enter the timer time.(The maximum cooking time is 99 minutes and 99 seconds)
- (3) Press "**START/+30SEC.** " to confirm setting.
- (4) When the timer time arrives, the buzzer will ring 5 times. If the clock has been set (12-hour system), the screen will display the current time.

Note: 1)The kitchen time is different from 12-hour system. Kitchen Timer is a timer.

- 2) In the process of timer setting, any program cannot be set.

4. Microwave cook

- (1) Press "**COOK TIME**" once, the screen will display "00:00".
- (2) Press number keys to input the cooking time; the maximum cooking time is 99 minutes and 99 seconds.
- (3) Press "**POWER LEVEL**" once, the screen will display "PL10". The default power is P100 power. Now you can press number keys to adjust the power level.
- (4) Press "**START/+30SEC.**" to start cooking.

Example: to cook the food with 50% microwave power for 15 minutes.

- a. Press "**COOK TIME**" once. "00:00" displays.
- b. Press "1", "5", "0", "0" in order.
- c. Press "**POWER LEVEL**" once, then press "5" to select 50% microwave power.
- d. Press "**START/+30SEC.**" to start cooking.

Note: 1) In the process of setting, if the "**STOP/CANCEL**" button is pressed or if there is no operation within 1 minute, the oven will go back to the former setting automatically.

5. Speedy Cooking

- (1) In waiting state, instant cooking at 100% power level can be started by pressing number pads 1 to 6. Press "**START/+30SEC.**" to increase the cooking time. The maximum cooking time is 99 minutes and 99 seconds.
- (2) In waiting state, instant cooking at 100% power level with 30 seconds' cooking time can be started by pressing "**START/+30SEC.**". Each press on the same button will increase cooking time by 30 seconds. The maximum cooking time is 99 minutes and 99 seconds.
- (3) Press "**COOK TIME**" and then input the cooking time. Press "**START/+30SEC.**" can start cooking with 100% microwave power.

Note: During microwave cooking, time defrost, multi-stage cooking and favorite, time can be added by pressing "**START/+30SEC.**" button.

6. Weight Defrost Function

- (1) Press "**WEIGHT DEFROST**" once, oven will display "0".
- (2) Press number pads to input weight to be defrosted.
- (3) Press "**START/+30SEC.**" to start defrosting and the cooking time remained will be displayed.

Note: If the weight input is not within 4-100 Oz, the input will be invalid. The oven will not work until valid numbers are input.

7. Time Defrost Function

- (1) Press "**TIME DEFROST**" once, oven will display "00:00".
- (2) Press number pads to input defrosting time. The effective time range is 0:01~99:99
- (3) The default microwave power is power level 3.
- (4) Press "**START/+30SEC.**" to start defrosting. The remained cooking time will be displayed.

8. Popcorn

- (1) In waiting state, press "**POPCORN**", the screen will show "3.0 Oz" .
- (2) Press "**POPCORN**" repeatedly to select the appropriate weight. "3.0", "3.5", "1.75" will display.
- (3) Press "**START/+30SEC.**" to cook. The remained cooking time will be displayed.

9. Sensor Cooking

- (1) In waiting state, put the food in the oven , then press the relevant menu key in the sensor cook, "SENSOR REHEAT", "FROZEN PIZZA", "FISH", "MEAT", "FRESH VEGGIE", "FROZEN VEGGIE", "POTATO", "FROZEN ENTREE" . And the screen will display "SC-1", "SC-2"...or "SC-8".
- (2) Press "**START/+30SEC.**" to start sensor cooking function and no need to set time.
If the sensor receive the humidity signal, the buzzer will sound 2 beeps, and the remaining time will display. The buzzer will sound 5 times to remind you when cooking is finished.

Note:

- (1) When cooking or reheating food, you should do these in order to have the best effect.
 - a. The room temperature cannot be over 35 degrees.
 - b. The weight of food must be more than 110g (4 Oz).
 - c. The cavity, glass tray and utensils must kept drying before putting the food in.
 - d. The reheat food can be covered with the lid. But the lid must has vent hole in order to emanate the steam. Sealed utensil is forbidden.
 - e. If the cavity is too hot, the sensor cook can not be started.

- (2) During cooking process, following points must be done.
 - a. Keep the door close when the remaining time is not displays or the buzzer does not sound twice.
 - b. When the buzzer sound twice , the time will count down and display the remaining time, you can open the door to mix the food up ,turn over or replace the food. And then go on the next operation.
- (3) Please leave the food alone for a while after cooking have been finished.
- (4) During sensor cooking process, if the time not count down, please do not open the oven door or press " **STOP/CANCEL** " key. Otherwise, the sensor will make mistakes.
- (5) After 35 seconds sensor cooking, the buzzer sound 1 beep to start self-checking. If the sensor do not work, the oven will go back to waiting state after 40seconds.

10. Multi-stage cooking

At most 2 stages can be set for cooking. In multi-stage cooking, if one stage is defrosting, then defrosting shall be placed at the first stage automatically.

Note: Auto menu cooking cannot work in the multi-stage cooking

Example: if you want to cook with 80% microwave power for 5 minutes + 60% microwave power for 10 minutes. The cooking steps are as following:

- (1) Press " **COOK TIME** " once, then press "5", "0", "0" to set the cooking time;
- (2) Press " **POWER LEVEL** " once, then press "8" to select 80% microwave power.
- (3) Press " **COOK TIME** " once, then press "1", "0", "0", "0" to set the cooking time;
- (4) Press " **POWER LEVEL** " once, then press "6" to select 60% microwave power.
- (5) Press "**START/ +30SEC.**" to start cooking.

11. Memory Function

- (1) In waiting state, press " **FAVORITE** " repeatedly to choose memory 1-3 procedure. The screen will display "1", "2", "3".
- (2) If the procedure has been set, press " **START/ +30SEC.**" to use it. If not, continue to set the procedure. Only one or two stages can be set.
- (3) After finishing the setting, press " **FAVORITE** " to save the procedure and the oven will go back to waiting state. If press " **START/ +30SEC.** ", it will save the procedure and start cooking.

Example: To set the following procedure as the second memory, that is memory 2. To cook the food with 80% microwave power for 3 minutes and 20 seconds.


The steps are as follow:

- a. In waiting state, press " **FAVORITE** " twice, stop pressing until the screen displays "2".
- b. Press " **COOK TIME** " once, then press "3", "2", "0" in order.
- c. Press " **POWER LEVEL** " once, "PL10" display, then press "8" and "PL8" displays.
- d. Press " **FAVORITE** " to save the setting. Buzzer sounds once and "2" displays.
If you press "**START/+30SEC.**" again, the procedure will be saved as the memory 2 and operated.
- e. If you want to run the saved procedure, in waiting state, press " **FAVORITE** " twice, screen displays "2", then press "**START/+30SEC.**" to run.

12. Inquiring Function

- (1) In cooking state, press " **CLOCK** ", the screen will display clock for three seconds, if the clock has been set.
- (2) In the microwave cooking state, press " **POWER LEVEL** " to inquire microwave power level, and the current microwave power will be displayed. After three seconds, the oven will turn back to the previous state. In multi-stage state, the inquiring way can be done by the same way as above.

13. Lock Function For Children

Lock: In waiting state, press " **STOP/CANCEL** " for 3 seconds, there will be a long "beep" denoting the entering into the children-lock state; meanwhile, oven will display "  " or current time.

Lock quitting: In locked state, press " **STOP/CANCEL** " for 3 seconds, there will be a long "beep" denoting that lock is released.

14. Cooking End Reminding Function

When the cooking is over, the buzzer will sound 5 "beep" to alert user the cooking is finished.

15. Power Saving Function

In waiting state or locked state, press " **STOP/CANCEL** " once to turn off the screen. And the oven will enter power saving state.

Sensor Cook Chart

Menu	Weight	Inicial Temp.
SC-1 SENSOR REHEAT	8~12 Oz	5 degrees
SC-2 FROZEN PIZZA	6~12 Oz	minus 18 degrees
SC-3 FISH	4~16 Oz	5 degrees
SC-4 MEAT	8~24 Oz	5 degrees
SC-5 FRESH VEGGIE	4~16 Oz (110g~450g)	Room Temp.
SC-6 FROZEN VEGGIE	6~16 Oz (170g~450g)	minus 18 degrees
SC-7 POTATO	1 - 4 potatoes	Room Temp.
SC-8 FROZEN ENTREE	8~32Oz (225g~900g)	minus 18 degrees

MAINTENANCE

Troubleshooting

Check your problem by using the chart below and try the solutions for each problem. If the microwave oven still does not work properly, contact the nearest authorized service center.

TROUBLE	POSSIBLE CAUSE	POSSIBLE REMEDY
Oven will not start	<ul style="list-style-type: none">a. Electrical cord for oven is not plugged in.b. Door is open.c. Wrong operation is set.	<ul style="list-style-type: none">a. Plug into the outlet.b. Close the door and try again.c. Check instructions.
Arcing or sparking	<ul style="list-style-type: none">a. Materials to be avoided in microwave oven were used.b. The oven is operated when empty.c. Spilled food remains in the cavity.	<ul style="list-style-type: none">a. Use microwave-safe cookware only.b. Do not operate with oven empty.c. Clean cavity with wet towel.
Unevenly cooked foods	<ul style="list-style-type: none">a. Materials to be avoided in microwave oven were used.b. Food is not defrosted completely.c. Cooking time, power level is not suitable.d. Food is not turned or stirred.	<ul style="list-style-type: none">a. Use microwave-safe cookware only.b. Completely defrost food.c. Use correct cooking time, power level.d. Turn or stir food.
Overcooked foods	Cooking time, power level is not suitable.	Use correct cooking time, power level.
Undercooked foods	<ul style="list-style-type: none">a. Materials to be avoided in microwave oven were used.b. Food is not defrosted completely.c. Oven ventilation ports are restricted.d. Cooking time, power level is not suitable.	<ul style="list-style-type: none">a. Use microwave-safe cookware only.b. Completely defrost food.c. Check to see that oven ventilation ports are not restricted.d. Use correct cooking time, power level.
Improper defrosting	<ul style="list-style-type: none">a. Materials to be avoided in microwave oven were used.b. Cooking time, power level is not suitable.c. Food is not turned or stirred.	<ul style="list-style-type: none">a. Use microwave-safe cookware only.b. Use correct cooking time, power level.c. Turn or stir food.