
TABLE OF CONTENTS	2
Introduction	3
Important Notice, FCC Licensing	4
LCD Display	5
Controls	5
Battery Installation	6
Installing the Belt Clip	6
Charging the Optional Battery Pack	7
Operating Your Radio	8 - 10
External Speaker/Microphone Jack	10
Troubleshooting Guide	11
Use and Care	11
Specifications and Frequency Charts	12
Warranty Information	13
MIDLAND Family Products	14
Accessories	14
Accessories Order Form	15

Welcome to the world of Midland electronics

Congratulations on your purchase of a high quality MIDLAND product. Your 2-way radio represents the state-of-the-art in high-tech engineering. Designed for GMRS (General Mobile Radio Service) operation, this compact package is big in performance. It is a quality piece of electronic equipment, skillfully constructed with the finest components. The circuitry is all solid-state and mounted on a rugged printed circuit board. Your two-way radio is designed for reliable and trouble-free performance for years to come.

Features

- 22 GMRS/FRS Channel
- eVOX
- Silent Operation
- Power High / Power Low Settings
- Speaker / Microphone Jacks
- Battery Low Indicator

This device complies with Part 15 of the FCC Rules. Operation is subject to the following two conditions : (1) this device does not cause harmful interference, and (2) this radio must accept any interference that may cause undesired operation.

To maintain compliance with FCC's RF exposure guidelines, for body-worn operation, this radio has been tested and meets the FCC RF exposure guidelines when used with Midland Radio Corp. accessories supplied or designated for this product. Use of other accessories may not ensure compliance with FCC RF exposure guidelines. (Tested with Headset Model: AVP-1)

IMPORTANT NOTICE, FCC LICENSE REQUIRED FOR GMRS OPERATION

The GXT555 operates on GMRS (General Mobile Radio Service) frequencies which require an FCC (Federal Communications Commission) license. You must be licensed prior to operating on channels 1 - 7 or 15 - 22, which comprise the GMRS channels of the GXT555. Serious penalties could result for unlicensed use of GMRS channels, in violation of FCC rules, as stipulated in the Communications Act's Sections 501 and 502 (amended).

You will be issued a call sign by the FCC which should be used for station identification when operating the radio on GMRS channels. You should also cooperate by engaging in permissible transmissions only, avoiding channel interference with other GMRS users, and being prudent with the length of their transmission time.

To obtain a license or ask questions about the license application, contact the FCC at 1-888-CALL FCC or go to the FCC's website:

www.fcc.gov/services/personal/generalmobile/licensing.html

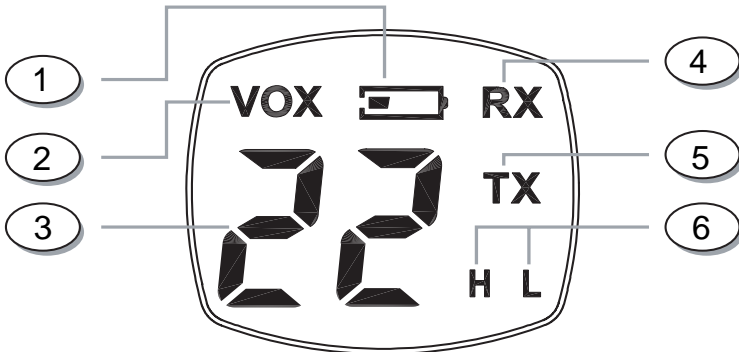
Exposure To Radio Frequency Energy

Your Midland radio is designed to comply with the following national and international standards and guidelines regarding exposure of human being to radio frequency electromagnetic energy:

- United States Federal Communications Commission, Code of Federal Regulations: 47 CFR part 2 sub-part J
- American National Standards Institute (ANSI)/Institute of Electrical & Electronic Engineers (IEEE) C95. 1-1992
- Institute of Electrical and Electronic Engineer (IEEE) C95. 1-1999 Edition
- National Council on Radiation Protection and Measurements (NCRP) of the United States, Report 86, 1986
- International Commission on Non-Ionizing Radiation Protection (ICNIRP) 1998

To control your exposure and ensure compliance with the general population or uncontrolled environment exposure limits, transmit no more than 50% of the time. The radio generates measurable RF energy exposure only when transmitting.

LCD DISPLAY



1. **LOW BATTERY ICON** – Indicates the battery level is low.
2. **eVOX** – Indicates when eVOX mode is active.
3. **CHANNEL NUMBER** – Changes from 1~22 on GMRS/FRS band .
4. **RECEIVE (RX) ICON** – Indicates radio is receiving a transmission.
5. **TRANSMIT (TX) ICON** – Indicates radio is transmitting a signal.
6. **TRANSMIT POWER LEVEL ICON** – Indicates TX Power setting (H/L).

CONTROLS



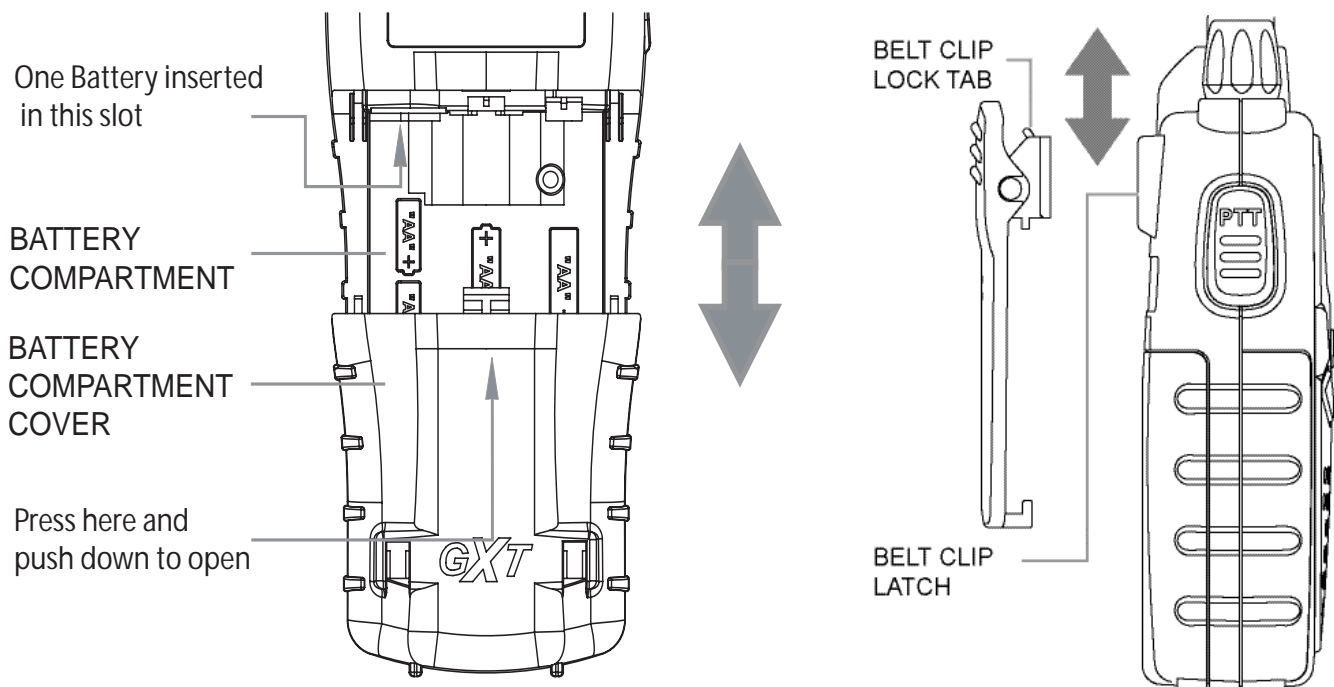
7. **POWER/VOLUME KNOB** – Turn clock wise to turn the power on and increase the volume level. Turn counter-clockwise to decrease the volume level and turn the power off.
8. **PTT Button** – Press and hold to transmit voice communication.
9. **TX POWER HI/LO Button** – Press to toggle between HI and LO TX Power setting.
10. **MIC** – Built-in microphone.
11. **SPEAKER** – Built-in speaker.
12. **ANTENNA.**
13. **EXTERNAL SPEAKER/MIC JACK.**
14. **MENU Button** – Press to access Menu mode.
15. **eVOX Button** – Press to activate / deactivate the eVOX function.
16. **UP ▲ and DOWN ▼ Button** – Make adjustments in MENU mode.

BATTERY INSTALLATION

Your GXT555 radio operates with either 4 AA alkaline batteries or an optional NiMH battery pack. The belt clip should be removed (see below) to ease installation or removal of the batteries.

To install the batteries:

1. With the back of the radio facing you, remove the belt clip (see diagram below) for easy access, then remove the Battery Cover by pressing down on the top center and sliding it down from the radio.
2. Insert 4 AA batteries observing the polarity as shown. Installing the batteries incorrectly will prevent the unit from operating or may damage the unit.
3. Return the Battery Cover by sliding it up on the radio. Replace the belt clip, making sure it locks into place.



INSTALLING THE BELT CLIP

To install the **BELT CLIP**, slide the clip down into the slot on the back of the radio until the **BELT CLIP LATCH** clicks. To remove the **BELT CLIP**, press the **LOCK TAB** down, then gently pull the belt clip up toward the top of the radio.

CHARGING THE OPTIONAL BATTERY PACK


Your GXT555 is equipped for using an optional rechargeable NiMH battery pack (not included) which can be recharged using a desktop charger (not included). Initial charge time is 24 hours with a charge time of 12 hours thereafter. For maximum battery life, we recommend charging the battery pack when the low battery icon comes on. Remove the radios from the charger when the charge time expires.

To charge using a Desktop Charger:

1. Place the rechargeable battery packs in the radios.
2. Connect the AC adapter into an AC wall outlet.
3. Insert the AC adapter plug (or DC Cigarette Lighter adapter if charging in vehicle) into the desktop charger jack.
4. Place the units into the desktop charger slot and note that the LED indicator with **RED** color will light up, indicating charging function.
In order to ensure that the battery pack is fully charged, it is recommended that the battery pack be charged for at least 12 hours.

- ! 1. Only use our NiMH battery pack.
- 2. Do not attempt to charge alkaline batteries or any batteries or battery packs other than the one indicated in the manual. This may cause leakage and damage to the radio.
- 3. For long term storage of the radio, turn the radio OFF and remove the batteries from the radio.

LOW BATTERY LEVEL INDICATOR

Your GXT555 has a LOW BATTERY  ICON which will only appear on the LCD display if the battery voltage level is low. At this point, the battery needs to be charged for at least 12hrs.

OPERATING YOUR RADIO

POWER ON/OFF AND VOLUME

Rotate the **POWER/VOLUME** knob clockwise to turn the radio on and increase the volume level. Rotate the control counter-clockwise to reduce the volume level and to turn the radio off. During Power On, the radio will beep 3 times with different tones, the LCD will display a “**self-test**” message for 1 second and the LCD display will indicate the last channel selected.

TRANSMITTING AND RECEIVING A CALL

To communicate, all radios in your group must be set to the same channel.

1. For maximum clarity, hold the radio 2 to 3 inches from your mouth.
2. Press and hold the **PTT** button and speak in a normal voice into the **microphone**. The **TX** icon will appear continuously on the LCD Display while transmitting.
3. To receive a call, release the **PTT** button. The **RX** icon will appear on the display when your radio is receiving a transmission.

ABOUT RANGE

Your GXT555 radios are designed to give you maximum range under optimum conditions.

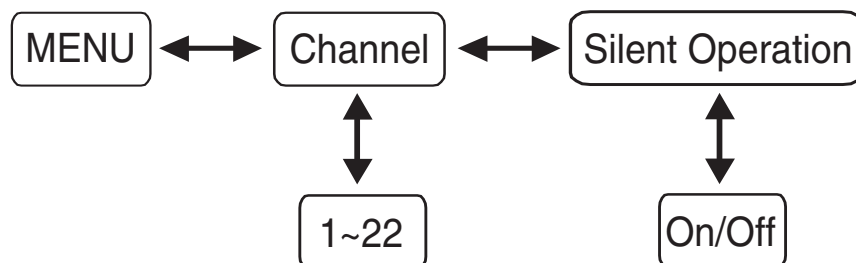
Optimum Conditions are:

- Over water
- Open rural areas without obstructions
- Flat areas where you can see the other person

To ensure you get maximum range:

- Be sure to use fresh or fully charged batteries - low batteries will cause low power conditions
- Be sure you are on a GMRS channel - FRS channels are restricted by the FCC to low power
- Be sure to set your radio to use Hi power.

GXT555 QUICK REFERENCE CHART



DISPLAY ILLUMINATION

During Power on, the display illumination will activate for approx. 7 seconds. The display illumination can also be activated when the **MENU** button is pressed.

CHANNEL SELECTION (GMRS/FRS BAND)

Press the **MENU** button once, and then the **▼/▲** buttons to select one of the 22 GMRS/FRS channels. To confirm the selection, press the **PTT** button or press the **MENU** button again to move to the next feature setting.

TRANSMIT (TX) POWER LEVEL SELECTION :

Your GXT555 has 2 transmit power levels. To select the power level on channels 1~7 and 15~22, press the **TX POWER HI/LO** button and the **TRANSMIT POWER LEVEL ICON** will toggle between **HI** and **LO** setting.

! *Note : You cannot adjust the power setting on the FRS channels (8~14). They are set to Low power per FCC regulations.*

eVOX (Hands-free Transmission)

Your GXT555 has **eVOX** (hands-free transmission) function.

To turn eVOX on, press the **eVOX** button . The display shows “**VOX**” on the upper left corner of the display.

To turn eVOX off, press the **eVOX** button . The “**VOX**” on the upper left corner of the display will disappear.

SILENT OPERATION

Your GXT555 has a **SILENT OPERATION** mode. In this mode, all “beeps” and “tones” are disabled.

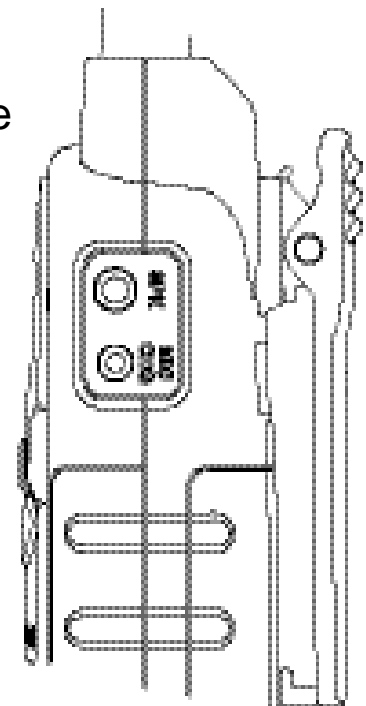
To turn the SILENT OPERATION mode on, press the **MENU** button twice and a “**bo**” icon appears on the display. Select “**bF**” by pressing the ▼/▲ buttons and push the **PTT** key, or press **MENU** button to exit.

To turn the SILENT OPERATION mode off, press the **MENU** button twice and a “**bF**” icon appears on the display. Select “**bo**” by pressing the ▼/▲ buttons and push the **PTT** key, or press **MENU** button to exit.

EXTERNAL SPEAKER/MICROPHONE JACK :

Your GXT555 can be used with an optional external speaker / microphone or headset, freeing your hands for other tasks. To use an optional speaker / microphone or headset:

- Insert the plug(s) into the **SPK/MIC** jacks
- Place the earbud into your ear, and adjust the mic into your desired position.



TROUBLESHOOTING GUIDE

PROBLEM	SOLUTION
No Power	- Check battery installation and/or replace batteries
Cannot Receive Messages	<ul style="list-style-type: none"> - Confirm the radios have the same channel. - Make sure that you are within range of the other transceivers. - Buildings and other structures may interfere with your communication. <p>(See ABOUT RANGE on Page 8)</p>
Radio is not responding to button presses	<ul style="list-style-type: none"> - Radio might need to be reset. Turn radio off then on. - Ensure accessory microphone is set properly
Display is dim	- Recharge or replace batteries.
Charger not functioning	<ul style="list-style-type: none"> - Contacts on the back of the radio may require cleaning. - Ensure the outlet where the charger is plugged into is functioning properly. - Check that the battery pack is installed in the radio properly.

USE AND CARE :

1. Use a soft damp cloth to clean the radio
2. **Do not** use alcohol or cleaning solutions to clean the radio.
3. **Do not** immerse the radio in water.
4. Dry the radio with dry lint-free cloth should it get wet.
5. Turn off the radio and remove the batteries during long-term storage.

If you have a problem which you believe requires service, please call first and speak with a service technician. Many problems can be remedied over the phone without returning the unit for service.

SPECIFICATIONS

Channels 22 GMRS/FRS Channels
Operating Frequency UHF 462.5500 ~ 467.7125 MHz
Power Source 4 AA Alkaline or 6.0V Rechargeable Ni-MH battery pack

GMRS/FRS FREQUENCY CHART (MHz)

CH. No	CH. Freq.	CH. No	CH. Freq.	CH. No	CH. Freq.
1	462.5625	9	467.5875	17	462.6000
2	462.5875	10	467.6125	18	462.6250
3	462.6125	11	467.6375	19	462.6500
4	462.6375	12	467.6625	20	462.6750
5	462.6625	13	467.6875	21	462.7000
6	462.6875	14	467.7125	22	462.7250
7	462.7125	15	462.5500		
8	467.5625	16	462.5750		

* Channels 8~14 are low-power FRS license free channels

LIMITED WARRANTY

Midland Radio Corporation will repair or replace, at its option without charge, any Midland FRS/GMRS transceiver which fails due to a defect in material or workmanship within Three Years following the initial consumer purchase. This warranty does not apply to water damage, battery leak or abuse.

This warranty does not include any carrying cases, earphones, or antennas, which may be a part of or included with the warranted product, or the cost of labor for removal or re-installation of the product in a vehicle or other mounting.

Performance of any obligation under this warranty may be obtained by returning the warranted product, freight prepaid, along with proof of purchase to:

**Midland Radio Corporation
Warranty Service Department
1120 Clay Street
North Kansas City, MO 64116**

This warranty gives you specific legal rights, and you may also have other rights, which vary from state to state.

Note : The above warranty applies only to merchandise purchased in the United States of America or any of the territories or possessions thereof, or from a U.S. Military exchange.

**Midland Radio Corporation
1120 Clay Street
North Kansas City, MO 64116
Tel: (816) 241-8500
E-mail: mail@midlandradio.com
URL: www.midlandradio.com**

Other Midland Products

GMRS 2-Way Radios



Weather Radios



CB Radios



ACCESSORIES

Accessories can be purchased at www.midlandradio.com or fill in the form on the following page and mail it to our address.

AVP-1



- 2 Over the Ear Mic. Headsets w/ PTT

- **\$19.95**

AVP-4



- 1 Dual Desk Charger
- 2 Rechargeable battery packs
- 1 AC Adapter
- 1 DC Cigarette lighter adapter

- **\$39.95**



ACCESSORIES ORDER FORM

Please send Money Order or fill in Visa/MasterCard information and mail to the address below. Please **DO NOT** send cash or checks. Make Money Order to Midland Radio Corporation.

Name: _____

Address: _____

City: _____ **State** _____ **Zip Code** _____

Tel: _____ **email:** _____

CC# _____ **Type:** _____ **Exp.** _____

Qty	Item	Price	Total
	AVP-1	\$19.95	
	AVP-4	\$39.95	

Sub-Total _____
 Tax (MO, CO, IL, FL only) _____
 S & H (U.S. only) _____ \$14.95
 Total \$ _____

Mail To:
 Midland Radio Corporation
 Consumer. Dept.
 1120 Clay St.
 N. Kansas City MO 64116

 Or Call 816.241.8500.

 To order online go to
www.midlandradio.com

MIDLAND RADIO CORPORATION
1120 Clay St.
N. Kansas City MO 64116
Call 816.241.8500

visit us at <http://www.midlandradio.com>

Note: Features & Specifications are subject to change without notice. MIDLAND is not responsible for unintentional errors or omissions on its packaging.