

Integration manual for the wireless food probe system

1 General

This document describes the requirements for the oven when installing the wireless food probe system.

The wireless food probe system consists of the module (EPI7684), antenna system and the wireless food probe. The wireless food probe will be here not describe because it is a passive device and does not matter for the installation of the system.

The wireless food probe system may only be installed due to the identical antenna system in the following Miele & Cie. KG ovens (host devices):

H6780-2BP

H6880-2BP

H6780-2BP2

H6880-2BP2

HR1622-2

HR1924-2

HR1934-2

HR1935-2

HR1936-2

HR1954-2

HR1955-2

HR1956-2

The certified Module, see picture below, will only be installed by Grantee Miele.



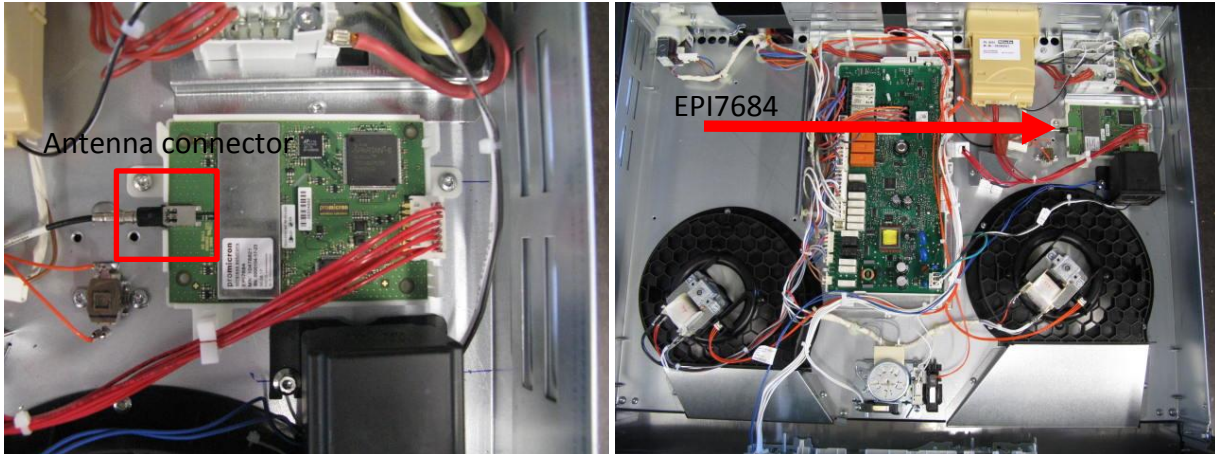
Picture 1: Module EPI7684



Picture 2: label of the module

2 Module EPI7684:

2.1 Position of the EPI7684 in the EBox of the host device

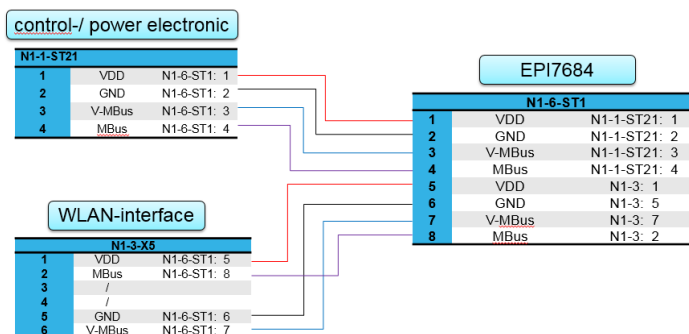


Picture 2: Position of the EPI

- The EPI7684 is fixed in the housing by suitable latching hooks in the housing. The housing is screwed to the EBox floor with two screws.

2.2 Interface to the control-/ power electronic of the host device

On the control-/ power electronic is a 4-pin rast 2.5 plug and on the EPI site is 8-pin rast 2.5 plug. This connection includes communication and power supply wire (13 and 3V DC)



2.3 Antenna connector

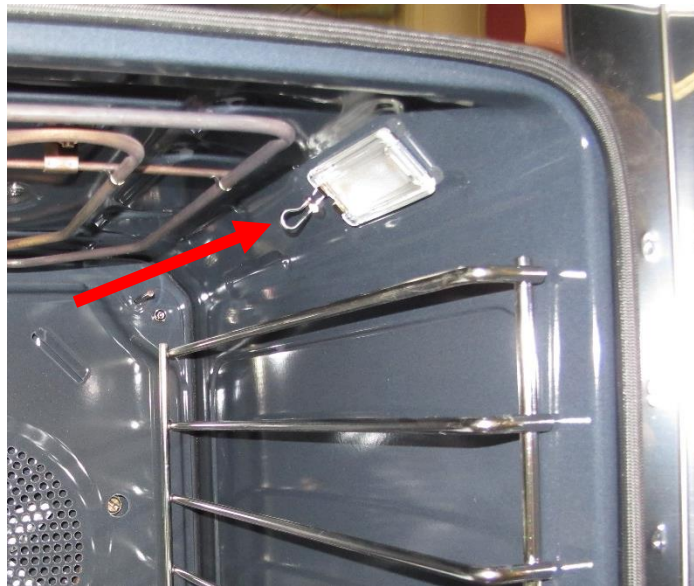
FAKRA socket coded "A" 50 Ohm.

3 Antenna system

It is a loop antenna. The antenna is installed in the upper right corner of the cavity.



Picture 3: loop antenna, FAKRA-connector



Picture 4: antenna installed in the cavity of the oven

The minimum allowed separation distance from the antenna to the end user (the door outer glass pane or the buttons on the user interface) should be 25 cm.

4 Statements in host devices user manual

The manual or instruction manual should include the following statements in English and France:

- changes or modifications not expressly approved by the party responsible for compliance could void the user's authority to operate the equipment.
- This oven complies with Industry Canada licence-exempt RSS standard(s) and part 15 of the FCC rules. Operation is subject to the following two conditions: (1) This device may not cause harmful interference, and (2) this device must accept any interference received, including interference that may cause undesired operation.

5 Label

The FCC and IC identifier must be displayed on the host device label in this way:
contains: FCC-ID: SSVNAEPI02 ; IC: 5669B-NAEPI02

6 Additional information

The host devices may need additional FCC approvals like 15B SDoC or certification for digital device part.