

24" Whole Bean
Coffee System

CVA 6401 BRWS



Whole Bean Coffee System

CVA 6401 BRWS



CVA 6401 BRWS

Features:

- DirectSensor controls: choose an operating mode with a single touch of one of the symbols on the left of the display. The touch component to the right of the display is used to navigate through the different levels.
- OneTouch function prepares beverage with the touch of a button
- OneTouch for Two operation dispenses two cappuccino or latté macchiato drinks, coffee or espresso simultaneously
- EasyClick Milk System simply clicks the milk reservoir into and out of place at the front of the machine
- Dishwasher-safe milk flask
- Automatic rinsing and cleaning programs
- Up to 10 user profiles
- The coffee pot function allows up to 8 cups of coffee to be brewed at one time
- BrilliantLight
- Timer function
- Ground coffee chute for whole bean bypass
- Removable brew unit for easy cleaning
- Removable water tank

Whole Bean Coffee System

CVA 6401 BRWS



SPECIFICATIONS

CVA 6401 BRWS — Item 29640110USA

Overall Unit Width - Excluding Fascia Dimension	21 ⁷ / ₁₆ " (545mm)
Overall Height - Excluding Fascia Dimension	17 ¹ / ₂ " (445mm)
Overall Unit Depth - Excluding Fascia Dimension	18 ¹ / ₈ " (460mm)
Depth with Door Open	41 ¹ / ₂ " (1054mm)
Overall Fascia Dimensions	23 ⁷ / ₁₆ " (595mm) W x 17 ⁵ / ₁₆ " (456mm) H x 1 ³ / ₁₆ " (20mm) D

Built-In

Minimum Cabinet Width	22 ¹ / ₁₆ " — 22 ³ / ₈ " (560 — 568mm)
Minimum Cabinet Depth	21 ⁵ / ₈ " (500mm)
Minimum Cabinet Opening Height	17 ¹¹ / ₁₆ " — 17 ⁵ / ₆₄ " (450 — 452mm)
Minimum Base Support	62 lbs
Additional Cut-outs Required	Venting 19 ¹¹ / ₁₆ " x 1 ⁹ / ₁₆ " or 78 ³ / ₄ " sq. inches

Electrical

Electrical Requirements	120V 60Hz 15A
Power Cord	Molded plug - NEMA 5-15A plug, 120V power cord, 5 foot
Cut out for power cord	Minimum 3" square
Electrical Rating	1200W
Total Amps	10A on 120V

Shipping

Shipping Weight	70 lbs
Shipping Dimensions	23 ⁵ / ₈ " W x 22 ¹ / ₁₆ " H x 26" L

Support

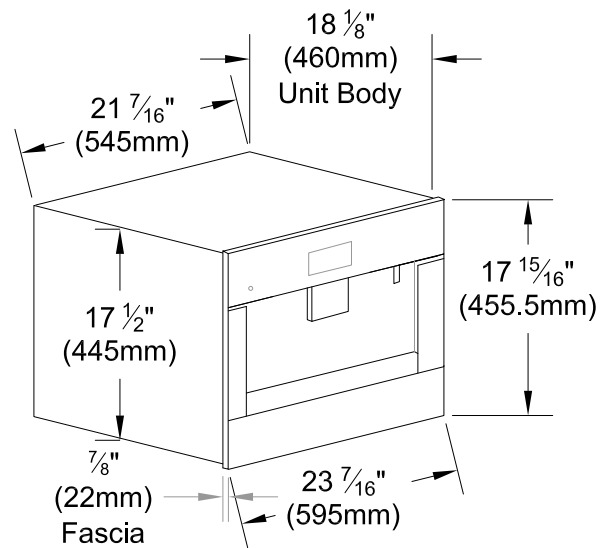
Call	800.843.7231
20/20	☎2020technologies.com

Whole Bean Coffee System CVA 6401 BRWS

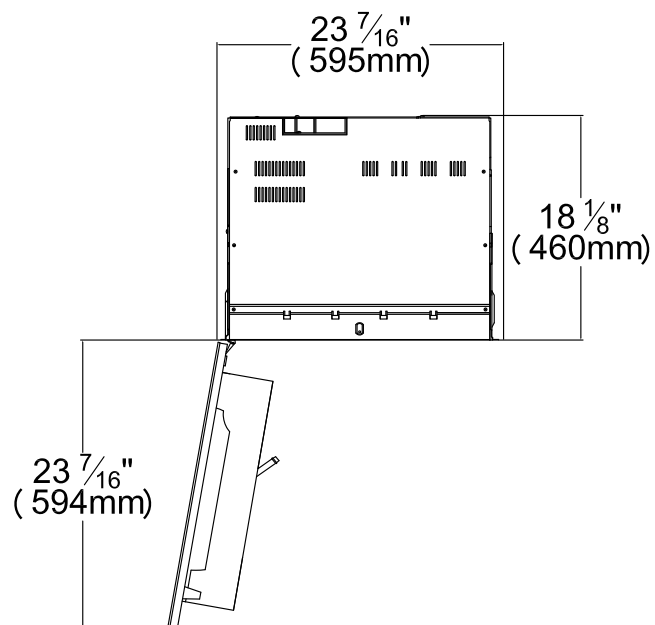


PRODUCT VIEWS

Isometric View



Top View, Door Open

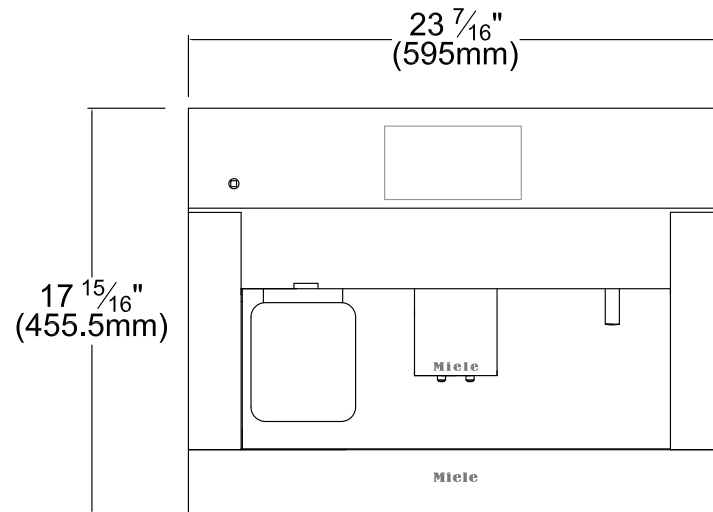


Whole Bean Coffee System CVA 6401 BRWS

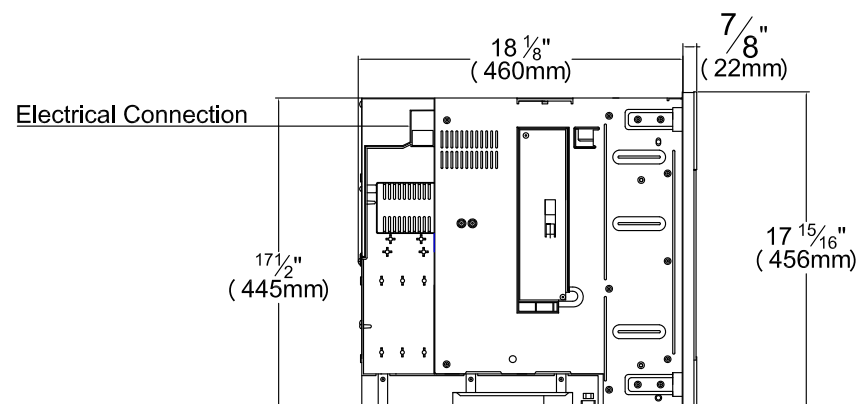


PRODUCT VIEWS

Front View

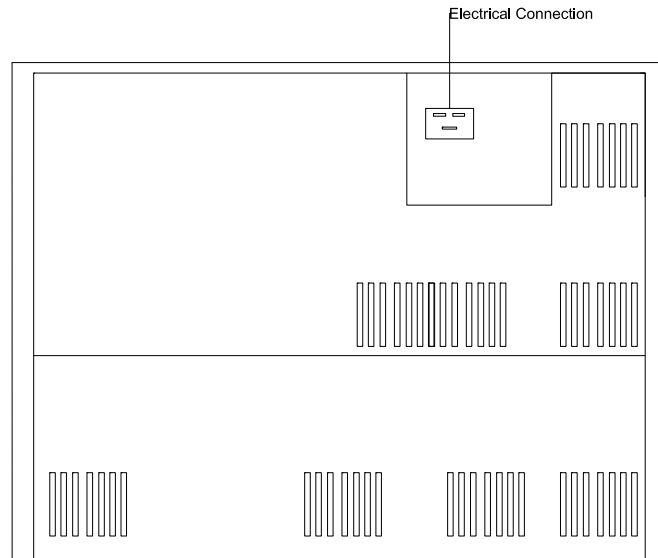


Side View



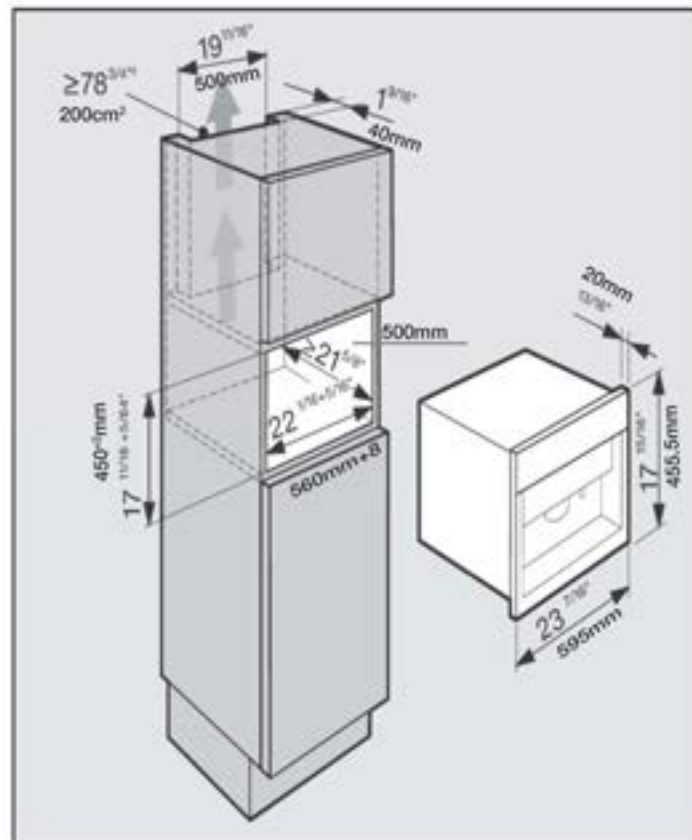
PRODUCT VIEWS

Rear View



INSTALLATION SPECIFICATIONS

Niche

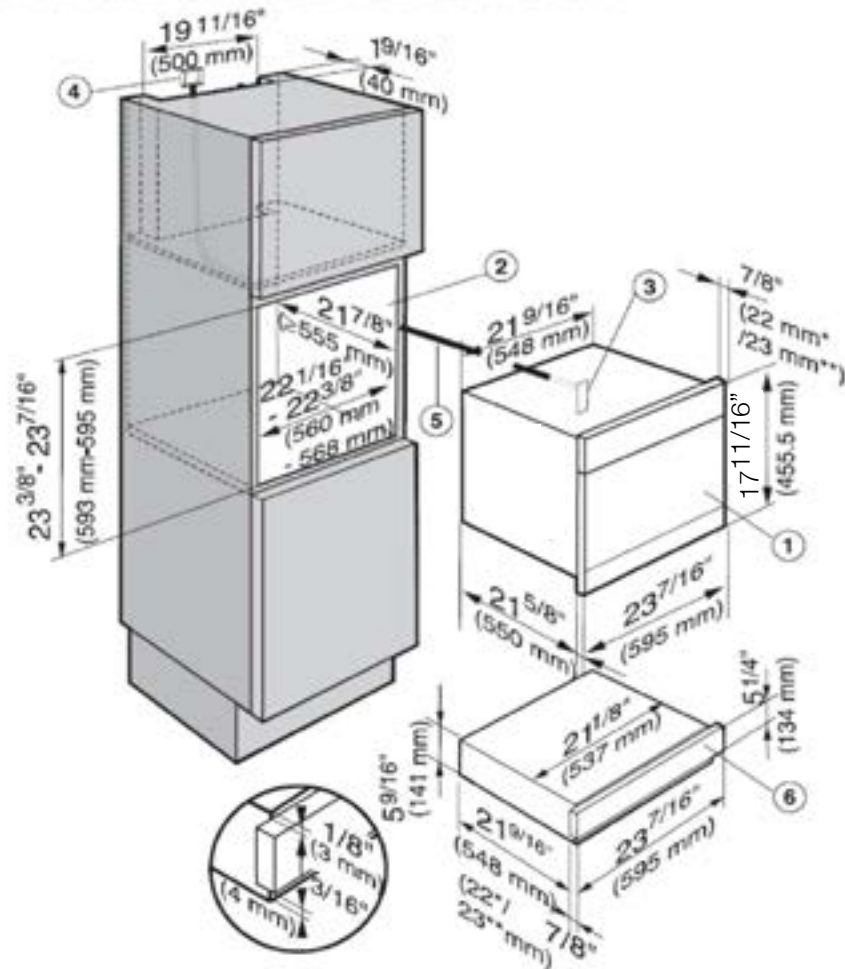


PLEASE NOTE: The vent cut out must only be at the top of the niche to prevent condensation inside the door and inner components that the customer can see when opening the door.

Whole Bean Coffee System CVA 6401 BRWS



INSTALLATION IN COMBINATION WITH WARMING DRAWER



- ① Coffee System
- ② Installation niche
- ③ Power supply to the appliance
- ④ Recommended location for electrical connection
- ⑤ Power cord
- ⑥ Warming drawer