

60cm Whole Bean,
Plumbed Coffee System

CVA 6405



Whole Bean Coffee System

CVA 6405



CVA 6405

Features:

- DirectSensor controls: choose an operating mode with a single touch of one of the symbols on the left of the display. The touch component to the right of the display is used to navigate through the different levels.
- OneTouch function prepares beverage with the touch of a button
- OneTouch for Two operation dispenses two cappuccino or latté macchiato drinks, coffee or espresso simultaneously
- EasyClick Milk System simply clicks the milk reservoir into and out of place at the front of the machine
- Dishwasher-safe milk flask
- Automatic rinsing and cleaning programs
- Up to 10 user profiles
- The coffee pot function allows up to 8 cups of coffee to be brewed at one time
- BrilliantLight
- Timer function
- Ground coffee chute for whole bean bypass
- Removable brew unit for easy cleaning
- Plumbed water connection

Whole Bean Coffee System

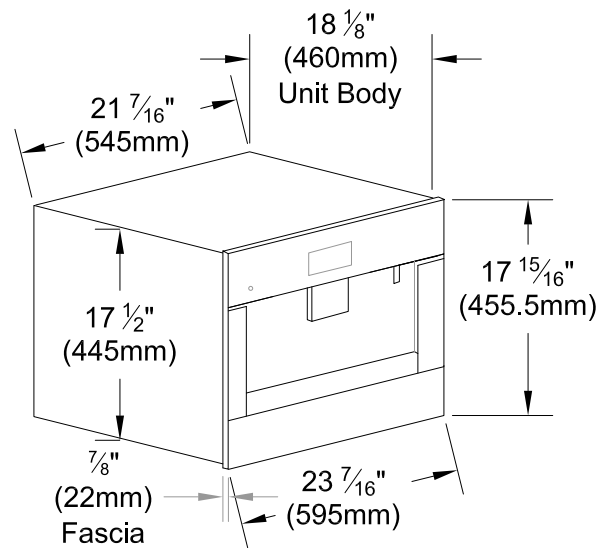
CVA 6405



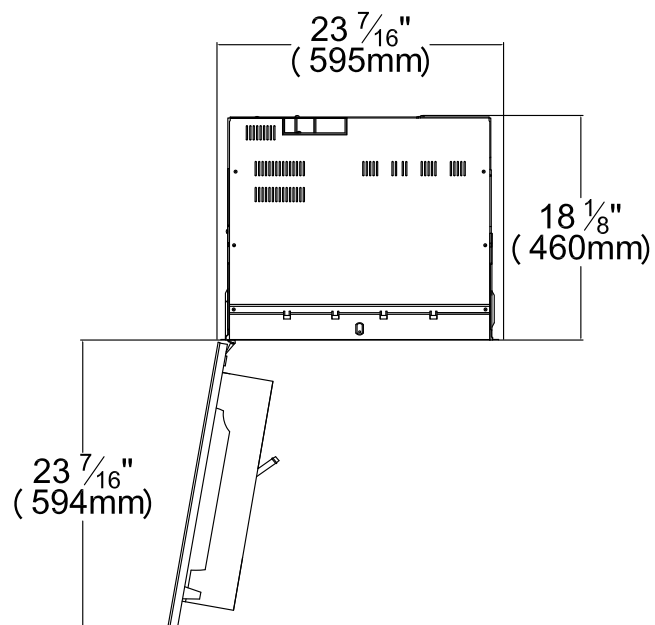
SPECIFICATIONS	
CVA 6405 – Item 29640550USA	
Overall Unit Width - Excluding Fascia Dimension	21 ⁷ / ₁₆ " (545mm)
Overall Height - Excluding Fascia Dimension	17 ¹ / ₂ " (445mm)
Overall Unit Depth - Excluding Fascia Dimension	18 ¹ / ₈ " (460mm)
Depth with Door Open	41 ¹ / ₂ " (1054mm)
Overall Fascia Dimensions	23 ⁷ / ₁₆ " (595mm) W x 17 ⁵ / ₁₆ " (456mm) H x 1 ³ / ₁₆ " (20mm) D
Built-In	
Minimum Cabinet Width	22 ¹ / ₁₆ " – 22 ³ / ₈ " (560 – 568mm)
Minimum Cabinet Depth	21 ⁵ / ₈ " (500mm)
Minimum Cabinet Opening Height	17 ¹¹ / ₁₆ " – 17 ⁵ / ₆₄ " (450 – 452mm)
Minimum Base Support	62 lbs
Additional Cut-outs Required	Venting and Plumbing: 19 ¹¹ / ₁₆ " x 1 ⁹ / ₁₆ " or 78 ³ / ₄ " sq. inches
Plumbing	
	Do not Connect to Reverse Osmosis (RO) System
Plumbed Hose	Max length should not exceed 4'11"
Electrical	
Electrical Requirements	120v 60Hz 15a
Power Cord	Molded plug - NEMA 5-15A plug, 120V power cord, 5 foot
Cut out for power cord	Minimum 3" square
Electrical Rating	1.2kW (120V)
Total Amps	10A on 120V
Shipping	
Shipping Weight	70 lbs
Shipping Dimensions	23 ⁵ / ₈ " W x 22 ¹ / ₁₆ " H x 26" L
Support	
Call	800.843.7231
20/20	☎2020technologies.com

PRODUCT VIEWS

Isometric View

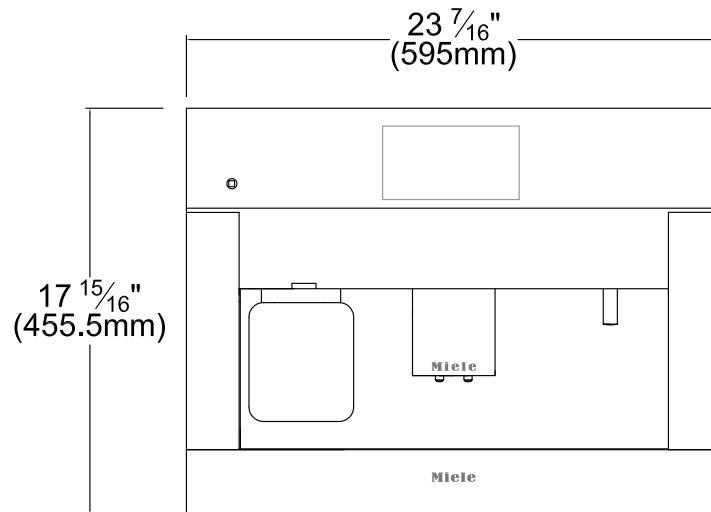


Top View, Door Open

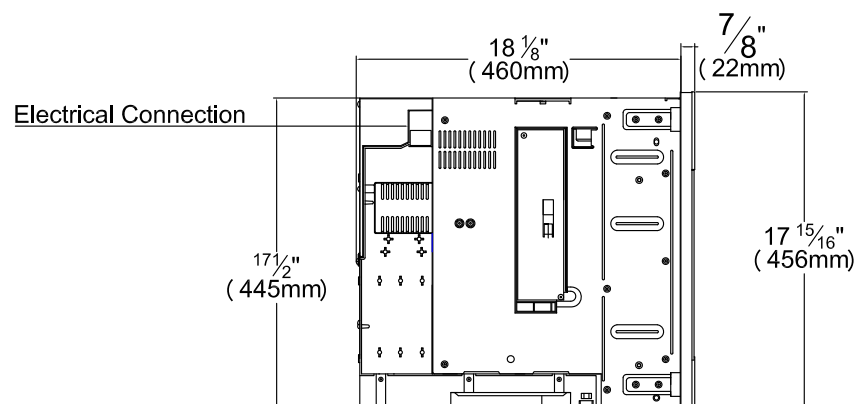


PRODUCT VIEWS

Front View

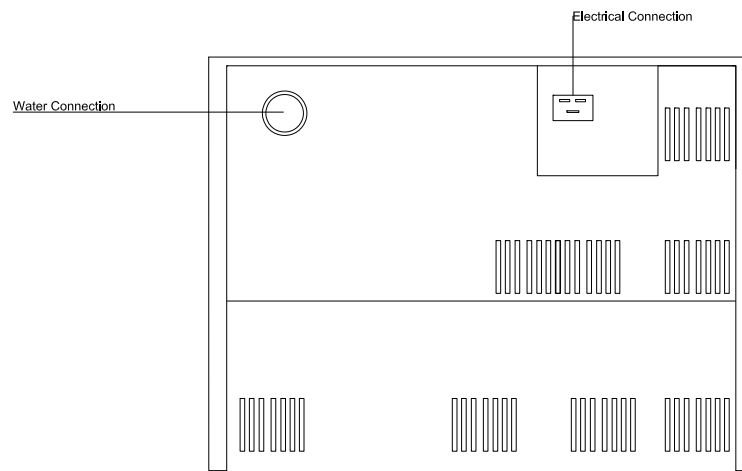


Side View



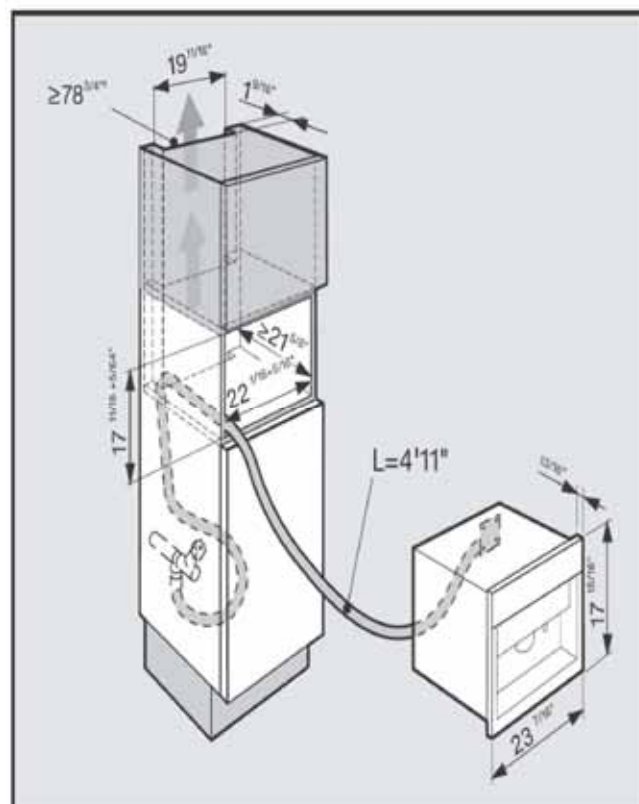
PRODUCT VIEWS

Rear View



INSTALLATION SPECIFICATIONS

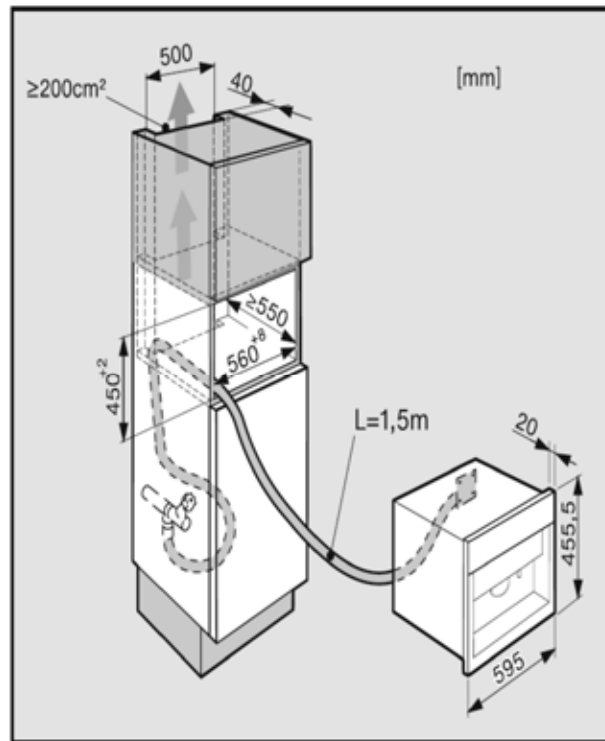
Niche



PLEASE NOTE: The vent cut out must only be at the top of the niche to prevent condensation inside the door and inner components that the customer can see when opening the door.

INSTALLATION SPECIFICATIONS

Niche (metric)



PLEASE NOTE: The vent cut out must only be at the top of the niche to prevent condensation inside the door and inner components that the customer can see when opening the door.