

36" Range Wall Hood

Model: DAR 1230



DAR 1230

Features:

- Vented or Recirculating Option
- Recessed knob controls
- M Pro Stainless Steel
- Dishwasher-safe stainless steel Baffle Filters
- 4 Fan speeds including Intensive
- Hood interior with CleanCover
- LED ClearView lighting
- Auto-Vent safety sensor

SPECIFICATIONS

DAR 1230 — Item 28123050USA

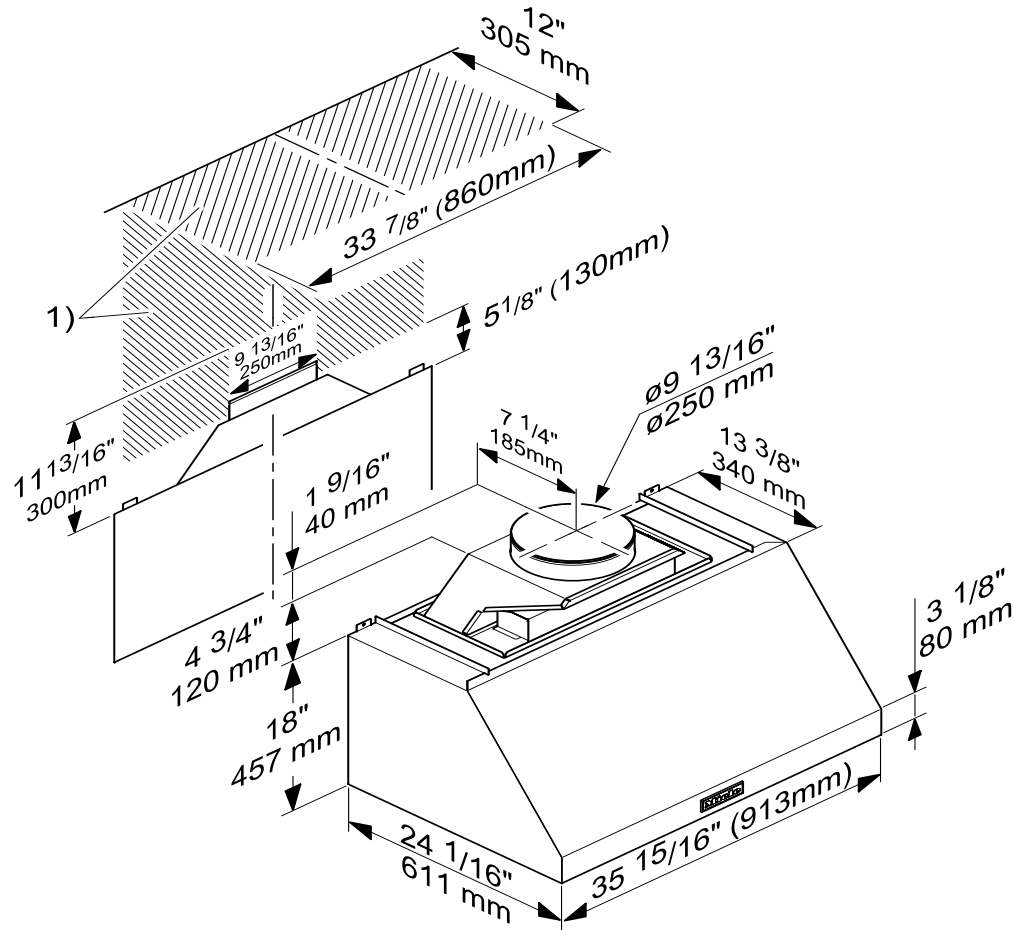
Overall Unit Width	35 ¹⁵ / ₁₆ " (913mm)
Overall Height without duct cover	18" (457mm)
Overall Unit Depth	24 ¹ / ₁₆ " (611mm)
Lighting	
Number of lights and wattage	3 LED lights @ 2 watts each
Electrical	
Electrical Requirements	120V, 60Hz, 15 Amps
Power Cord	Yes - NEMA 5-15 plug, length 2' 6" (0.75 m)
Shipping	
Shipping Weight	103.6 lbs. (47kg)
Shipping Dimensions	41 ³ / ₈ " (1050mm) W x 28" (710mm) H x 29 ⁹ / ₁₆ " (740mm) D
Support	
Call Miele	800.843.7231
Miele Website	www.mieleusa.com
20/20 Link	2020technologies.com

36" Range Wall Hood

Model: DAR 1230



PRODUCT VIEW



1) Installation Area; Wall/Ceiling area respectively for vent hole and outlet installation. For recirculation mode only the outlet installation is required.

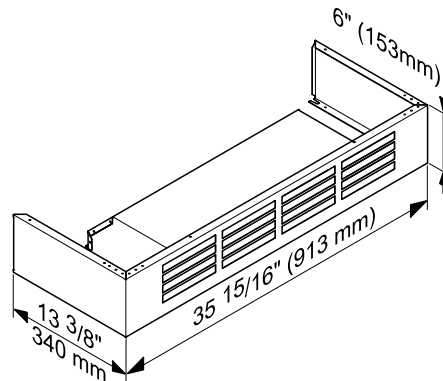
For distance between cooktop and ventilation hood please see manual for further detail.

36" Range Wall Hood

Model: DAR 1230



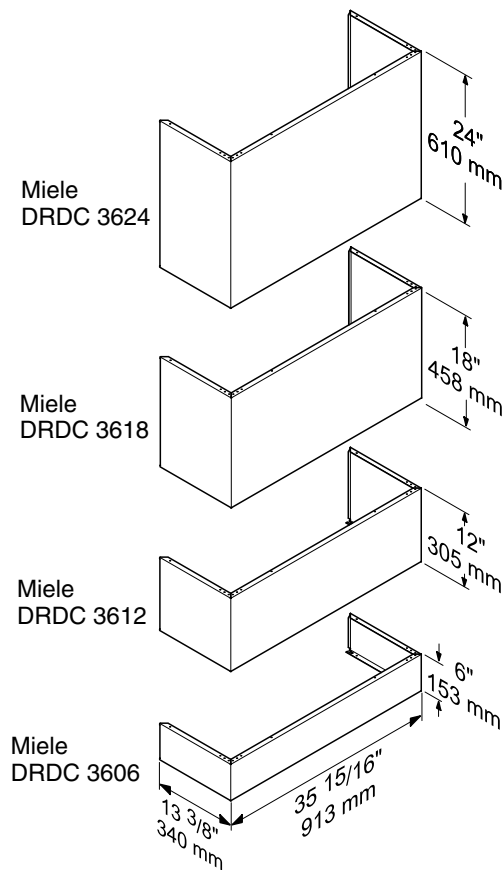
Recirculation Kit DRUU 36



Note: Duct Covers can be stacked on top of Recirculation Kit

Duct Cover Options

- DRDC 3624 - 24" height
- DRDC 3618 - 18" height
- DRDC 3612 - 12" height
- DRDC 3606 - 6" height



36" Range Wall Hood

Model: DAR 1230



VENTILATION GUIDE

The following combinations of appliances are possible:

	Air Venting with Internal Blower	Air Venting with External Blower	Air Recirculation	Duct Cover
Range Insert DAR 1120 30"	Blower DRIB XL=700 cfm or (DRIB XXL=1100 cfm)*	Blower DREB XL=700 cfm or (DREB XXL=1100 cfm)*	-	-
Range Insert DAR 1130 36"	Blower DRIB XL=700 cfm*** or DRIB XXL=1100 cfm	Blower DREB XL=700 cfm*** or DREB XXL=1100 cfm	-	-
Range Insert DAR 1150 48"	Blower DRIB XXL=1100 cfm	Blower DREB XXL=1100 cfm	-	-
Range Wall Hood DAR 1220 30"	Blower DRIB XL=700 cfm or (DRIB XXL=1100 cfm)*	Blower DREB XL=700 cfm or (DREB XXL=1100 cfm)*	Blower DRIB XL + Recirculation kit DRUU 30**	DRDC 3006 (6") DRDC 3012 (12") DRDC 3018 (18") DRDC 3024 (24")
Range Wall Hood DAR 1230 36"	Blower DRIB XL=700 cfm*** or DRIB XXL=1100 cfm	Blower DREB XL=700 cfm*** or DREB XXL=1100 cfm	DRIB XL + Recirculation kit DRUU 36**	DRDC 3606 (6") DRDC 3612 (12") DRDC 3618 (18") DRDC 3624 (24")
Range Wall Hood DAR 1250 48"	DRIB XXL=1100 cfm	DREB XXL=1100 cfm	-	DRDC 4806 (6") DRDC 4812 (12") DRDC 4818 (18") DRDC 4824 (24")

*Combination not recommended

**The DRDC Duct Cover can also be installed above the recirculation kit.

***Can not be combined with HR 1134 G/LP, HR 1934 DF G/LP, KMR 1134 G/LP