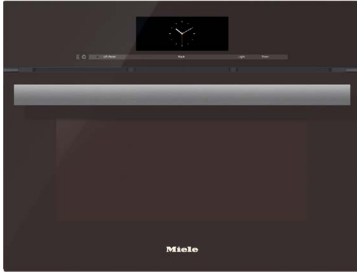


PureLine Truffle Brown
24" Combi-Steam Oven

DGC 6800 XL HVBR



PureLine 24" Combi-Steam Oven DGC 6800 XL HVBR



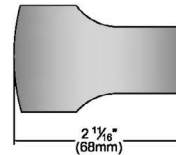
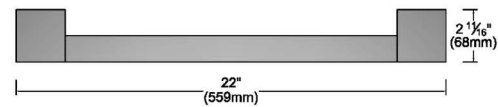
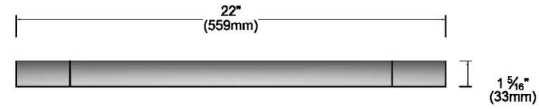
DGC 6800 XL HVBR

Features:

- M Touch innovative and revolutionary controls are both easy-to-operate and navigate. An intuitive swipe of the screen will quickly lead you to your desired selection.
- MultiSteam technology delivers powerful external steam generation and optimum steam distribution via 6 inlet ports
- Wired roast probe for perfect roasting
- 3-in-1 appliance
 1. True European convection oven
 2. Steam oven
 3. Combination of steam and convection oven
- MasterChef and MasterChef Gourmet menus offer over 150 food types to cook to perfection
- XL stainless steel cavity
- Lift up control panel conceals water and condensate container (both containers are dishwasher-safe)
- The simple yet sleek Silhouette chrome handle seems to float enhancing its modern design lines

Comfort Handle: Optional with ContourLine

(DS 6708 Item #09828380)

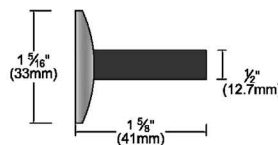
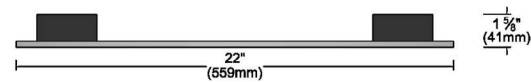
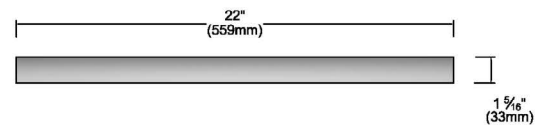


ComfortSwivel Handle: Standard with ContourLine Optional for PureLine

(DS 6718 Item # 09828390)

Silhouette Handle:

Standard with Pureline
Optional for Contourline
(DS 6808 Item # 09828400)



Silhouette Handle (Chrome):
Standard with BrilliantWhite
(DS 6808 Item # 09828410)



Silhouette Handle:
Standard with Truffle Brown
(DS 6808 Item # 09870690)

PureLine 24" Combi-Steam Oven

DGC 6800 XL HVBR



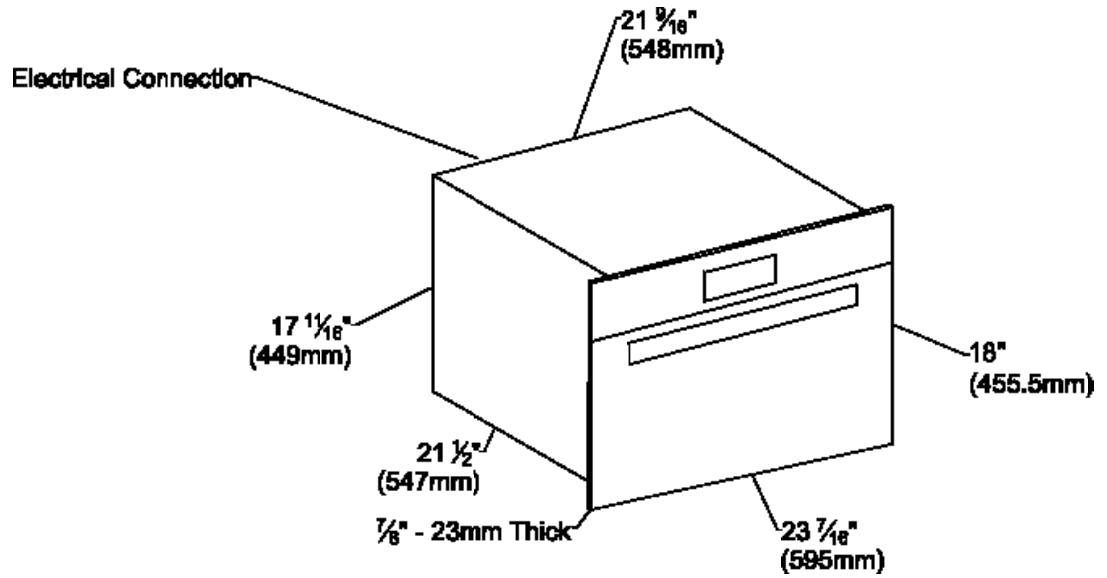
SPECIFICATIONS	
DGC 6800 XL HVBR — Item 23680002USA	
Overall Unit Width - Excluding Fascia Dimension	21 ⁹ / ₁₆ " (548mm)
Overall Height - Excluding Fascia Dimension	17 ¹¹ / ₁₆ " (449mm)
Overall Unit Depth - Excluding Fascia Dimension	21 ⁵ / ₈ " (550mm)
Oven Door Clearance	13" (330mm)
Depth with door open	34 ¹¹ / ₁₆ " (898mm)
Overall Fascia Dimensions	23 ⁷ / ₁₆ " (595mm) W x 18" (455.5mm) H x 7 ⁷ / ₈ " (22mm) D
Built-In	
Minimum Cabinet Width	22 ¹ / ₁₆ " — 22 ³ / ₈ " (560 - 568mm)
Minimum Cabinet Depth	21 ⁷ / ₈ " (555mm)
Minimum Cabinet Opening Height	17 ¹¹ / ₁₆ " — 17 ¹³ / ₁₆ " (450 — 452mm)
Minimum Base Support	60 lbs
Additional Cut-outs Required	Venting cut-out required 19 ¹¹ / ₁₆ " x 1 ⁹ / ₁₆ " (500 x 40 mm)
Electrical	
Electrical Requirements	240V 60Hz 20A
Power Cord	Molded plug - NEMA 6-20, 240V power cord
Cut out for power cord	Minimum 3" square
Electrical Rating	3.7kW (240V)
Total Amps	15.5A on 240V
Shipping	
Shipping Weight	65 lbs
Shipping Dimensions	26 ⁷ / ₃₂ " (666mm) W x 21 ⁵ / ₈ " (549mm) H x 23 ¹ / ₁₆ " (535mm) L
Support	
Call	800.843.7231
20/20	☎2020technologies.com

PureLine 24" Combi-Steam Oven DGC 6800 XL HVBR

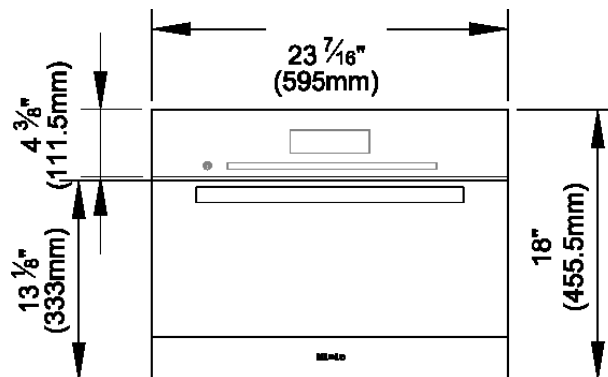


PRODUCT VIEWS

Isometric View



Front View

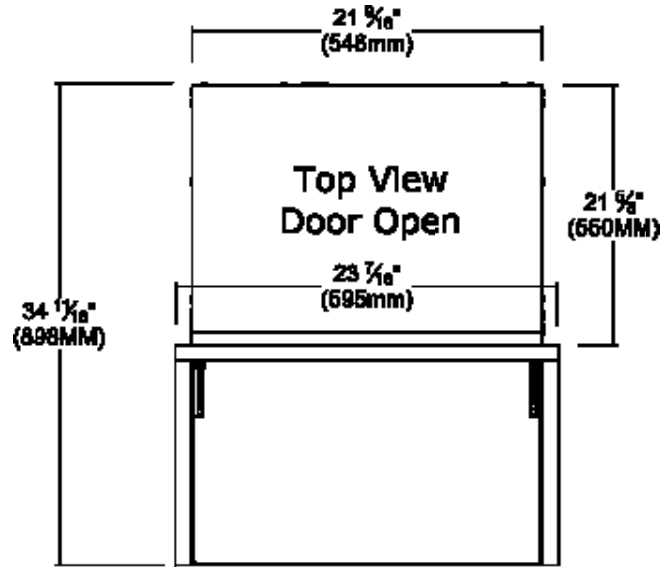


PureLine 24" Combi-Steam Oven DGC 6800 XL HVBR

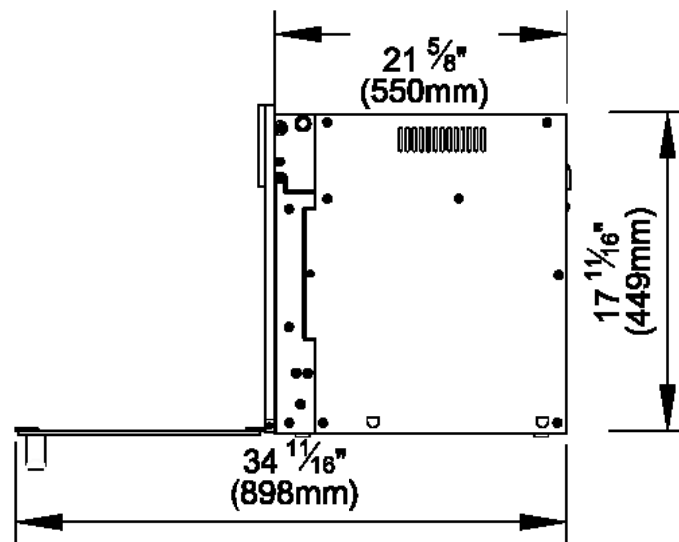


INSTALLATION SPECIFICATIONS

Top View, Door Open



Side View

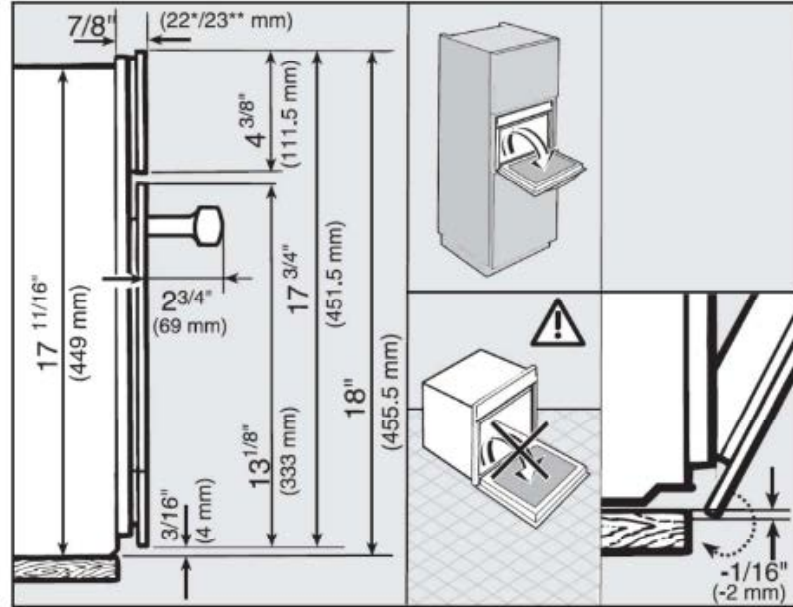


PureLine 24" Combi-Steam Oven DGC 6800 XL HVBR

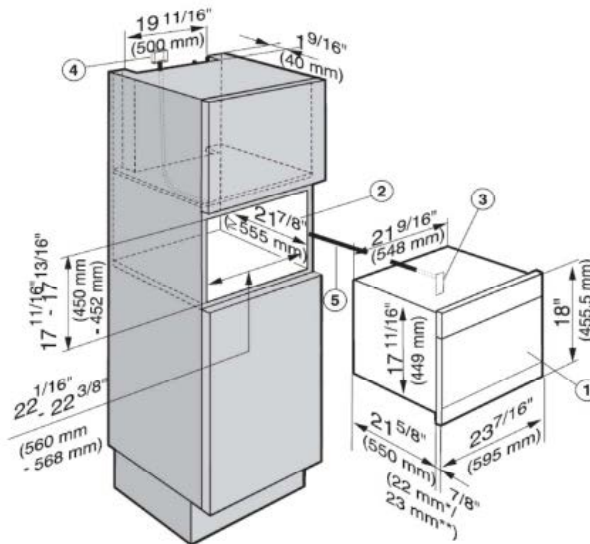


INSTALLATION SPECIFICATIONS

Front Dimension Details



Tall Cabinet Installation



- ① Combi Steam Oven
- ② Installation niche
- ③ Power supply to the appliance
- ④ Recommended location for electrical connection
- ⑤ Power cord

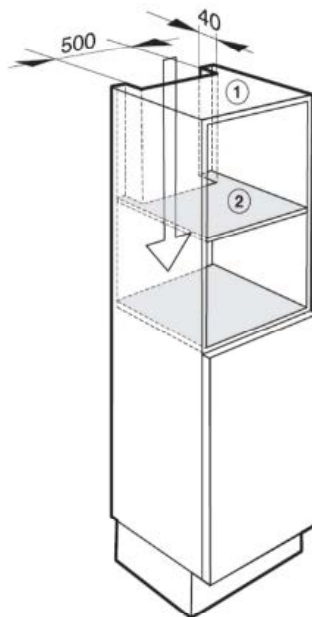
* Appliances with glass front
** Appliances with metal front

PureLine 24" Combi-Steam Oven DGC 6800 XL HVBR



INSTALLATION SPECIFICATIONS

Tall Cabinet Installation – Venting Requirements

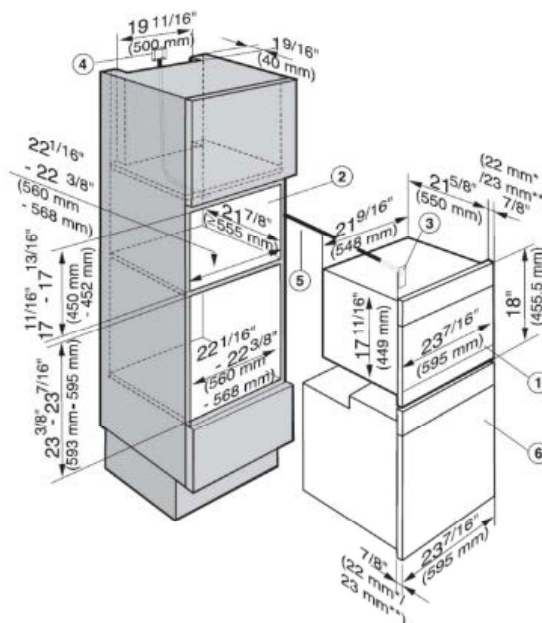


To ensure that the Combi Steam Oven has adequate ventilation, the following cut-outs measuring 19 11/16" x 1 9/16" (500 x 40 mm) must be made:

- ① in the top of the cabinet
- ② in the center shelf above the installation niche

The cabinet housing must not have a back panel fitted behind the installation niche.

Installation Above 24" Convection Oven



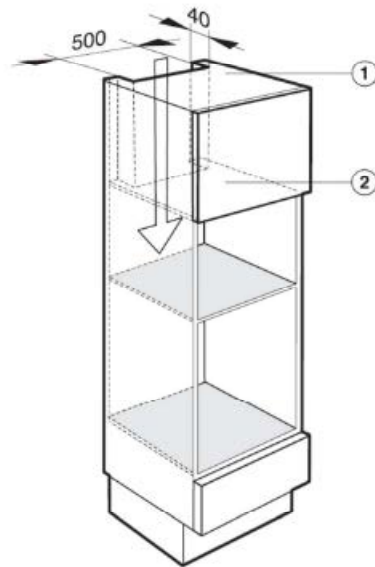
- ① Combi Steam Oven
- ② Installation niche
- ③ Power supply to the appliance
- ④ Recommended location for electrical connection
- ⑤ Power cord
- ⑥ Oven

PureLine 24" Combi-Steam Oven DGC 6800 XL HVBR



INSTALLATION SPECIFICATIONS

Installation Above 24" Convection Oven – Venting Requirements



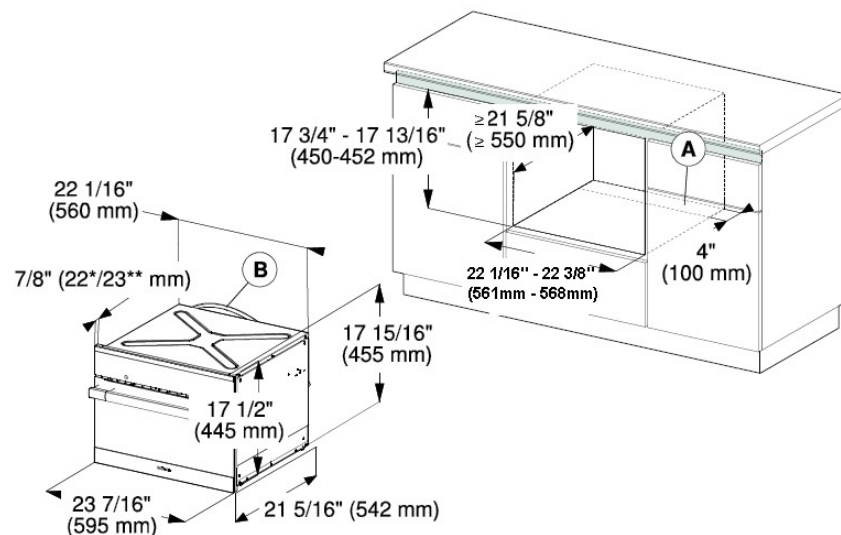
To ensure that the Combi Steam Oven has adequate ventilation, the following cut-outs measuring 19 11/16" x 1 9/16" (500 x 40 mm) must be made:

- ① in the top of the cabinet
- ② in the center shelf above the installation niche

The cabinet housing must not have a back panel fitted behind the installation niche.

Cut-out for venting the oven:
Please refer to the installation instructions for the oven.

Installation Undercounter



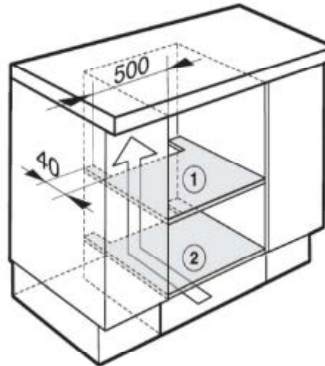
* Oven with glass front
** Oven with metal front

PureLine 24" Combi-Steam Oven DGC 6800 XL HVBR



INSTALLATION SPECIFICATIONS

Installation Undercounter — Venting Requirements



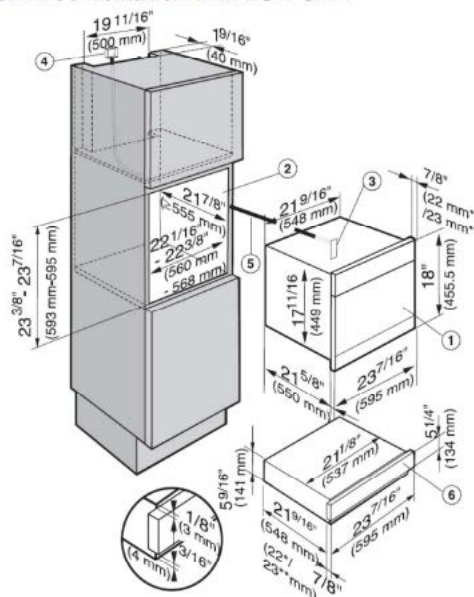
To ensure that the Combi Steam Oven has adequate ventilation, the following cut-outs measuring 19 11/16" x 1 9/16" (500 x 40 mm) must be made:

- ① in the appliance support base
- ② in the bottom of the cabinet space below

The cabinet housing must not have a back panel fitted behind the installation niche.

Installation in combination with ESW 6x14

Installation Above 24" Warming Drawer



- ① Combi Steam Oven
- ② Installation niche
- ③ Power supply to the appliance
- ④ Recommended location for electrical connection
- ⑤ Power cord
- ⑥ Warming drawer

PureLine 24" Combi-Steam Oven DGC 6800 XL HVBR



INSTALLATION SPECIFICATIONS

Control Panel Swivel View

