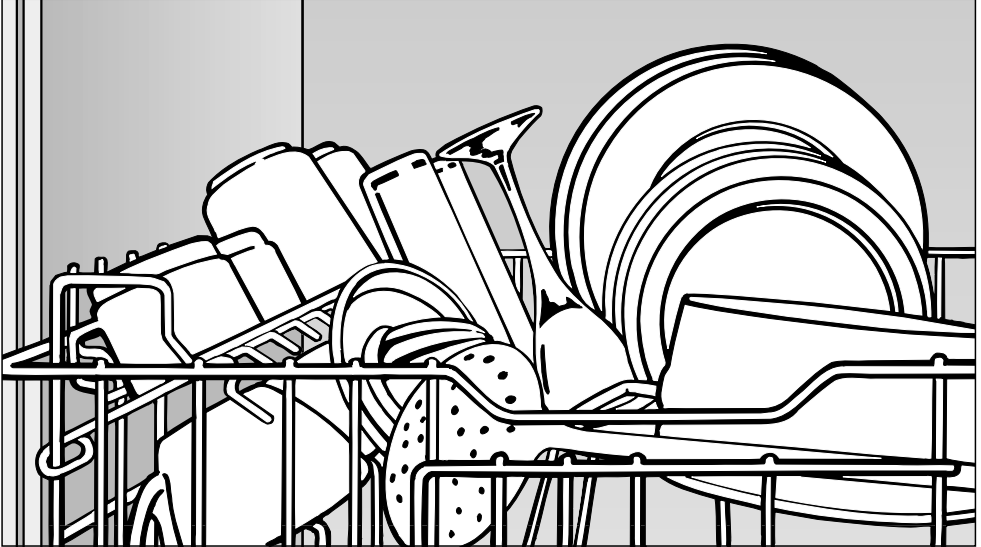


Miele

Operating instructions



for the G 865
dishwasher

To prevent accidents and reduce the risk of damaging the machine, read the Operating Manual **before** installing or using the machine.



M.-Nr. 05 098 500

| | |
|---|----|
| Guide to the appliance | 5 |
| View of the machine | 6 |
| Control panel | 7 |
| Important safety instructions | 8 |
| Instructions importantes sur la sécurité | 10 |
| Caring for the environment | 12 |
| Before using for the first time | 13 |
| Opening and closing the door | 14 |
| Child safety lock. | 14 |
| Water softener (Not available in US models.) | 15 |
| Setting the water hardness level. | 15 |
| Filling the salt reservoir. | 16 |
| Salt indicator. | 17 |
| Bypassing the Salt indicator lamp. | 17 |
| Adding rinse aid | 18 |
| Setting the dosage. | 19 |
| Loading the dishwasher | 20 |
| Loading examples. | 21 |
| Bottom basket. | 21 |
| Upper basket. | 21 |
| Cutlery basket. | 22 |
| Utensil Insert for the Cutlery Basket | 23 |
| Cutlery tray | 24 |
| Adjustable cup racks. | 25 |
| Coffee bar. | 25 |
| Adjusting the upper basket. | 26 |
| Items not suitable for dishwashers | 27 |
| Adding detergent | 28 |
| Choosing a program | 29 |
| Program chart | 30 |
| Operating the dishwasher | 32 |
| Turning on. | 32 |
| Changing programs. | 32 |
| Turning off. | 32 |
| Program sequence indication. | 33 |
| Program interruption | 33 |
| Unloading the dishwasher | 34 |

Contents

| | |
|---|----|
| Cleaning and care | 35 |
| Cleaning the filters in the wash cabinet. | 35 |
| Cleaning the spray arms. | 37 |
| Cleaning the drain pump and non-return valve. | 38 |
| Cleaning the water intake filter. | 39 |
| Cleaning the wash cabinet. | 40 |
| Cleaning the door and the door seal. | 40 |
| Cleaning the control panel. | 40 |
| Cleaning the door panel. | 40 |
| Checking the water level | 41 |
| Increasing the water intake time. | 42 |
| Problem solving guide | 43 |
| After Sales Service. | 43 |
| Accessories | 44 |
| | |
| Dishwasher installation | 47 |
| | |
| Electrical connection | 60 |
| Plumbing | 62 |
| Technical Data | 66 |

Miele dishwashers are available in two versions:

1. Integrated (“i”) dishwashers

“i”- dishwashers are designed for installation under a continuous countertop.

The control panel with its accessories is included with the “i”- dishwasher in a separate package for on-site installation. The front is designed to accept a custom made panel, matching the existing kitchen cabinets.

Installation directions can be found in the Installation chapter.

2. “U” dishwashers

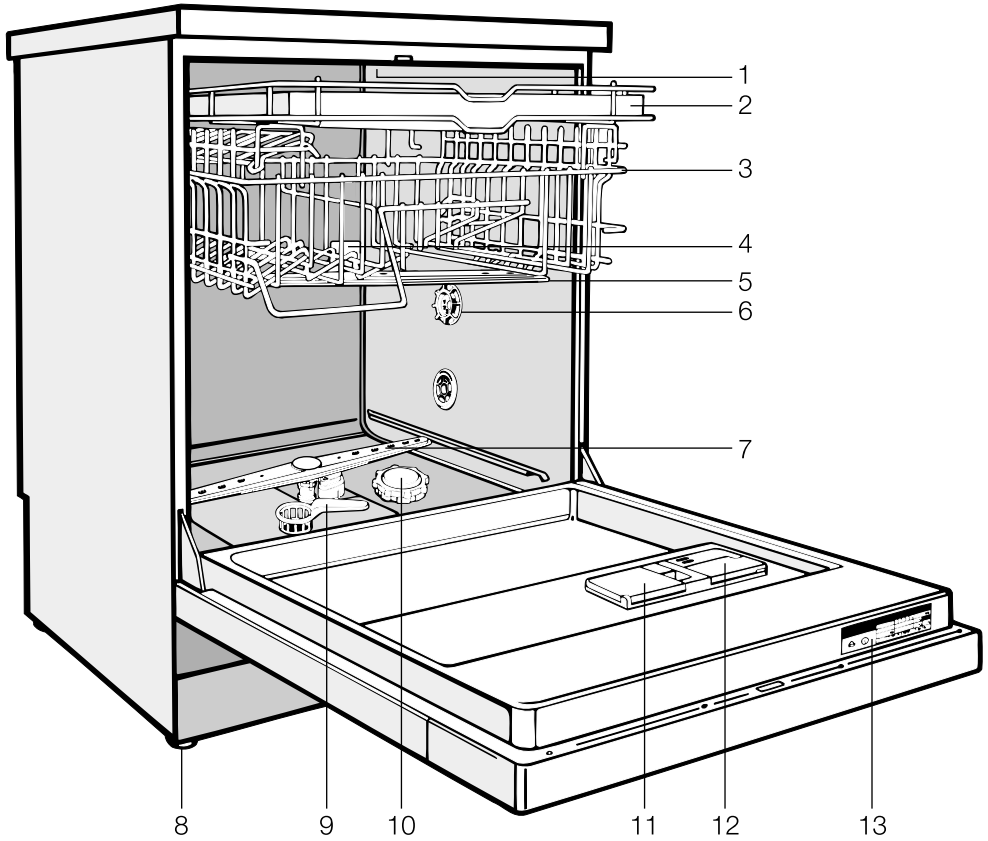
The built-under (“U”) dishwashers use the integrated (“i”) dishwashers as the basic machine.

By using a GDU decor kit the “i” dishwasher can be converted into a “U” model dishwasher.

GDU installation instructions are included in a separate pamphlet supplied with the decor kit.

Guide to the appliance

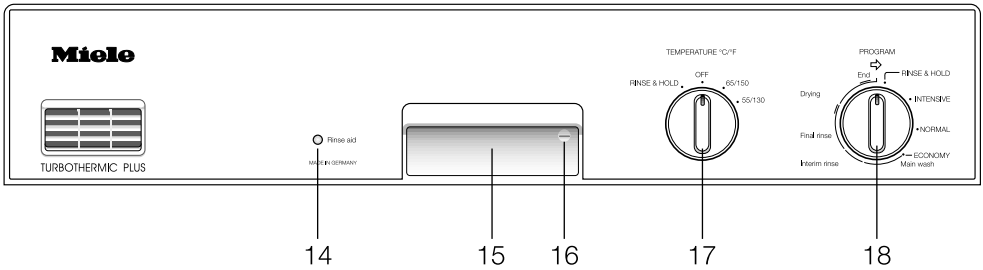
View of the machine



- | | |
|---|--|
| 1. Upper spray arm (not visible) | 10. Salt reservoir (if applicable) |
| 2. Cutlery tray (if applicable) | 11. Dual compartment detergent dispenser |
| 3. Upper basket | 12. Rinse aid reservoir (with dosage selector) |
| 4. Water feed tube for the middle spray arm | 13. Data plate |
| 5. Middle spray arm | |
| 6. Water hardness selector | |
| 7. Lower spray arm | |
| 8. Four height adjustable levelling legs | |
| 9. Combination filter | |

Note:
Cutlery and lower baskets not shown.

Control panel



- 14. Rinse aid indicator lamp
- 15. Door release
- 16. Child safety lock
- 17. Temperature selector
- 18. Program selector knob

IMPORTANT SAFETY INSTRUCTIONS

WARNING

When using your dishwasher, follow all basic safety precautions.

This appliance conforms to all uniform safety codes and regulations. To avoid injury and machine damage, read the operating instructions carefully before using the dishwasher.

This dishwasher is designed for household use only. The manufacturer cannot be held responsible for damage or injury caused by improper use or for uses other than those for which the appliance is intended.

■ Repairs should only be performed by qualified personnel. Disconnect the appliance from the power supply before servicing (pull out the plug or turn off the circuit breaker).

■ If not purchased specifically as a “Freestanding” model, only install the dishwasher under a continuous countertop which is secured to the cabinetry.

■ The dishwasher must be electrically grounded. Install the dishwasher as per the included Installation instructions.

■ Use only powder detergents and liquid rinse aids recommended for dishwashers. Never use gels or liquid detergents.

■ Do not use commercial or industrial grade detergents, as these may cause adverse chemical reactions and damage the machine. Use only detergents made for residential dishwashers.

■ Do not use your dishwasher unless all enclosure panels are properly in place.

■ Do not allow children to play in or on the dishwasher.

■ Keep all detergents and rinse aids out of the reach of children.

■ Dishwasher detergents contain Sodium Silicate and Sodium Carbonate. In case of eye contact, immediately flush with water. Call a physician or poison control.

■ Do not tamper with the controls.

IMPORTANT SAFETY INSTRUCTIONS

■ When loading items to be washed:

- Load pointed items so that they are not likely to damage the door seal.
- Load knives with the cutting edge down to reduce the risk of injuries.

■ Do not wash plastic items unless they are labeled “dishwasher safe” or the equivalent. For items not labeled, check the manufacturer’s recommendations.

■ Do not abuse, sit, or stand on the door or dishracks of the dishwasher.

■ Remove the front door and cut off the power cord of the dishwasher before removing it from service or discarding it. This will help protect children from injury or accidentally locking themselves in.

■ Under certain conditions, hydrogen gas may be produced in a hot water system that has not been used for two weeks or more. **HYDROGEN GAS IS EXPLOSIVE.** If the hot water system has not been used for such a period, turn on all hot water faucets and let the water flow from each for several minutes before using the dishwasher. This will release any accumulated hydrogen gas. Do not smoke or use an open flame during this time.

■ Do not drink the water from the wash cabinet.

For dishwashers with visible heating element

■ Do not touch the heating element during or immediately after use.

SAVE THESE INSTRUCTIONS

INSTRUCTIONS IMPORTANTES SUR LA SÉCURITÉ

AVERTISSEMENT

Au moment d'utiliser votre lave-vaisselle, veuillez observer toutes les mesures de sécurité de base.

Cet appareil électroménager est conforme à tous les règlements et codes sur la sécurité. Pour éviter de vous blesser et d'endommager l'appareil, veuillez lire soigneusement les instructions sur l'utilisation.

N'utilisez le lave-vaisselle que pour laver la vaisselle.

Le fabricant ne peut être tenu responsable des dommages ou blessures causés par une utilisation inadéquate ou par des utilisations autres que celles auxquelles l'appareil est destiné.

■ Les réparations doivent être effectuées uniquement par une personne compétente. Débrancher l'appareil de la prise de courant avant d'en faire l'entretien (enlever la fiche de la prise ou fermer le disjoncteur).

■ Installer uniquement le lave-vaisselle sous un comptoir continu qui est fixé à des meubles adjacents.

■ Vous devez mettre le lave-vaisselle à la terre. Installer le lave-vaisselle en observant les instructions pour l'installation ci-jointes.

■ Utiliser uniquement des détergents et des produits de rinçage recommandés pour les lave-vaisselle.

■ Ne pas utiliser de détergents de qualité commerciale ou industrielle puisqu'ils pourraient causer des réactions chimiques défavorables et endommager l'appareil. Utiliser des détergents pour les lave-vaisselle ménagers seulement.

■ Ne pas utiliser votre lave-vaisselle à moins que tous les panneaux soient bien en place.

■ Ne pas permettre aux enfants de jouer dans ou sur le lave-vaisselle.

■ Ranger tous les détergents et produits de rinçage hors de la portée des enfants.

■ Les détergents pour lave-vaisselle contiennent du silicate de soude et du carbonate de soude. En cas de contact avec les yeux, les rincer immédiatement à grande eau. Téléphoner à un médecin ou à un centre de traitement antipoison.

INSTRUCTIONS IMPORTANTES SUR LA SÉCURITÉ

- Ne pas modifier les commandes.
- Ne pas boire l'eau du meuble de lavage.
- Au moment de remplir le lave-vaisselle :
 - Mettre les articles pointus de manière à ce qu'ils n'endommagent pas le seau étanche de la porte.
 - Mettre le tranchant des couteaux vers le bas afin de réduire les risques de blessure.
- Ne pas laver les articles en plastique à moins qu'ils n'indiquent "Va au lave-vaisselle" ou l'équivalent. Vérifier les recommandations du fabricant pour les articles non étiquetés.
- Ne pas abuser et ne pas vous asseoir ni vous tenir sur la porte ou sur les paniers du lave-vaisselle.
- Enlever la porte et débrancher le lave-vaisselle avant de le faire réparer ou de le jeter afin d'empêcher les enfants de se blesser ou de s'enfermer dans l'appareil par accident.

■ Dans certaines conditions, un système d'eau chaude qui n'a pas été utilisé pendant plus de 2 semaines peut dégager de l'azote. L'AZOTE EST EXPLOSIF. Si le système d'eau chaude n'a pas été utilisé pendant une telle période de temps, ouvrir tous les robinets d'eau chaude et laisser l'eau couler pendant plusieurs minutes avant d'utiliser le lave-vaisselle. Ceci dissipera tout l'azote accumulé. Ne pas fumer ni utiliser une flamme nue durant ce temps.

Lave-vaisselle avec l'élément chauffant

■ Ne touchez pas l'élément chauffant pendant le fonctionnement de l'appareil ou immédiatement après.

CONSERVER CES INSTRUCTIONS

Caring for the environment

Disposal of the packing material.

The cardboard box and packing material protects the appliance during shipping. It has been deliberately designed to be biodegradable and recyclable. Please dispose of these materials as you would any other recyclable products.

Disposal of your old machine.

Old machines contain materials which can be recycled. Please contact your local recycling center about the possibility of recycling these materials. Make certain the machine has been made child resistant as outlined in the "Important safety instructions" before disposing of the appliance.

Energy saving washing.

These dishwashers are exceptionally efficient in their use of water and electricity. You can make the most of your appliance by following these tips:

- Make full use of the baskets without overloading the dishwasher for the most economical washing.
- Choose a program that best suits the degree of soiling and the type of dishes being washed.
- If the baskets are only half full, use the ECONOMY program.
- Use the correct amounts of detergent and rinse aid.

Before using for the first time

Before using for the first time, please note the following points.

Setting the water softener (if applicable).

The water softener must be set to correspond to the water hardness in your area. This can be obtained from your local water company, or by using a test kit that can be purchased from the Miele Parts Department.

The salt reservoir must **only** be filled with water and salt. Never fill it with detergent.

Adding rinse aid.

Inadvertently filling the rinse aid reservoir with liquid or powder detergent will damage the reservoir.

Use only powder detergents and liquid rinse aids formulated for domestic dishwashers.

It is important to choose the correct program.

Different wash programs should be selected for different loads and different degrees of soiling. See the program chart for further program descriptions.

Add the correct amount of detergent.

Generally, one to two tablespoons of detergent will be adequate for most wash loads. Not enough or too much detergent can lead to poor wash results.

Cleaning results vary between detergents. If you are not satisfied with the results from one brand, try another quality brand before contacting the Miele Service Department for advice.

Load the dishes correctly.

Load the dishes so that water can contact all surfaces. Ensure that the spray arms are not blocked by items which are too tall for the basket or which extend through the bottom of the basket. If necessary, manually rotate the spray arms to test for clearance.

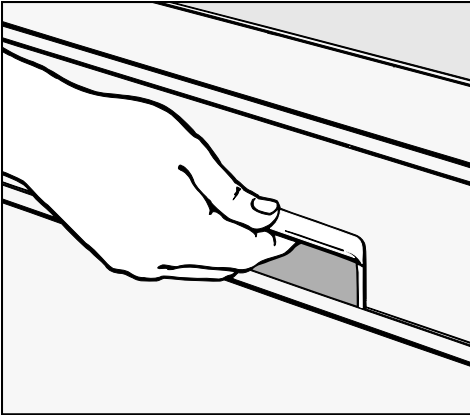
The combination filter in the base of the wash cabinet and the spray arms must be kept clean.

These should be regularly inspected and cleaned, if necessary.

See the corresponding chapters for detailed information on the above points.

Opening and closing the door

To open the door.



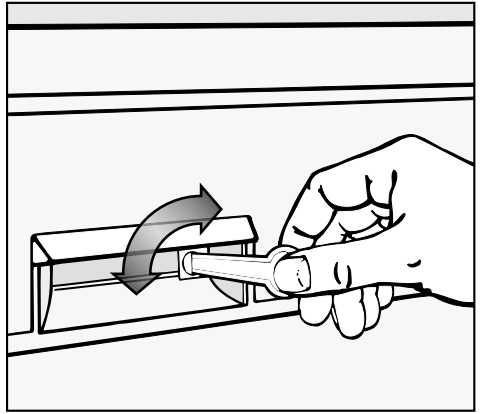
- Press the release catch inside the door grip.

If the door is opened during operation, all functions will automatically be interrupted.

To close the door.

- Push the baskets in.
- Lift the door and push until it clicks into position.

Child safety lock.



The child safety lock is designed to deter children from opening the dishwasher door.

- Use the provided key to turn the child safety lock to the desired setting.



Horizontal setting = The door is locked.



Vertical setting = the door can be opened.

Water softener (Not available in US models.)

The water softener must be set to correspond to the water hardness in your area. This can be obtained from your local water company or by using a test kit that can be purchased from the Miele Parts Department.

Note:

If the water hardness in your area is under 7 gr/gal, it is not necessary to re-activate the softener with salt.

To avoid the build up of calcium deposits on dishes, cutlery, and in the dishwasher, the water should be softened if it is harder than 7 gr/gal.

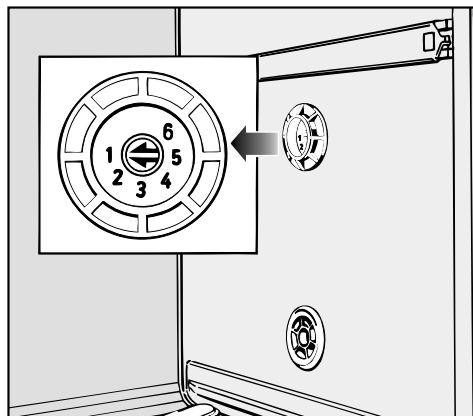
The dishwasher is factory set for a hardness level of 4 - 14 gr/gal. If your water is harder or softer, this setting will need to be adjusted.

To ensure a steady supply of softened water, the built in water softener must be:

1. Correctly set.
2. Reactivated with salt when depleted.

Setting the water hardness level.

There are six settings on the selector, located on the right side of the wash cabinet:



- Using a screwdriver, adjust the water hardness level by turning the selector switch to the appropriate setting.

| Setting | gr/gal | ppm | °f |
|---------|--------|-----------|---------|
| 1* | 4-14 | 70- 250 | 7- 25 |
| 2 | 15-21 | 270- 380 | 27- 38 |
| 3 | 22-35 | 400- 630 | 40- 63 |
| 4 | 36-47 | 650- 850 | 65- 85 |
| 5 | 48-65 | 860-1170 | 86-117 |
| 6 | 66-70 | 1190-1260 | 119-126 |

*) factory setting

Example:

The water hardness is 340 ppm. The water hardness switch should be set to position 2.

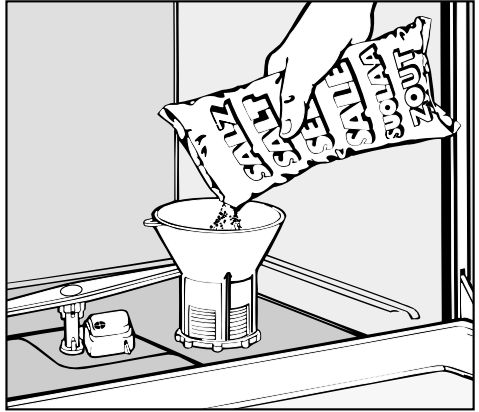
Water softener (Not available in US models.)

Filling the salt reservoir.

The salt reservoir should be filled before the first use and whenever the “Salt” indicator lamp is lit. Use water softener reactivation salt (1 - 4 mm grain size), as other salts may contain insoluble additives which can impair the functioning of the softener.

The salt reservoir holds approx. 4 lbs (2 kg) of salt.

Inadvertently filling the salt reservoir with dishwashing detergent will damage the water softener. Make sure that only water softener reactivation salt of the proper grain size is used.

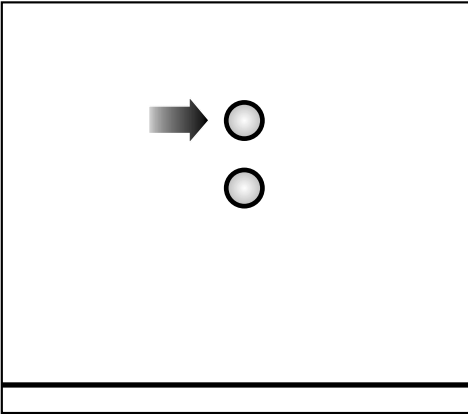


Before filling the salt reservoir for the first time:
Fill the salt reservoir with approximately 2 quarts of water.

- Remove the lower basket.
- Unscrew and remove the salt reservoir cap.
- Place the funnel (provided) over the salt reservoir.
- Carefully fill with salt. As it is filled, water will run out.
- Clean any excess salt from the threads of the reservoir opening.
- Screw the cap on firmly.
- If the dishwasher will not be used immediately after reactivation, run the RINSE & HOLD program. This will remove any traces of salt from the cabinet.

Water softener (Not available in US models.)

Salt indicator.



When the salt reservoir is empty, the “Salt” indicator lamp will light, notifying you that the reservoir should be refilled with reactivation salt.

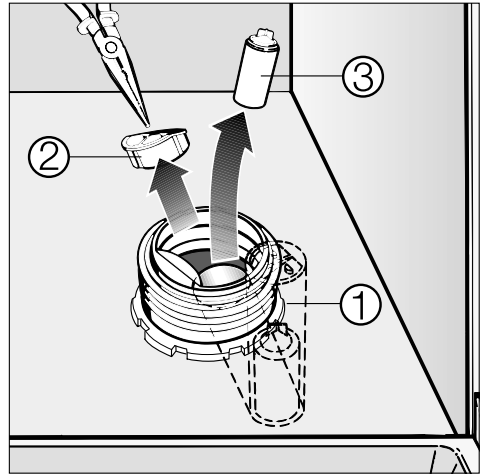
Note:

If your water is very soft (below 7 gr/gal), the salt indicator lamp will stay on. In this case the reservoir should not be filled with salt. The indicator lamp will remain lit and can be disregarded or bypassed.

Bypassing the Salt indicator lamp.

In order to bypass the salt indicator lamp, you will need a screwdriver and needle nose pliers.

- Remove the salt reservoir cap.



Looking into the salt reservoir, you will see the top of the float chamber on the right hand side ①.

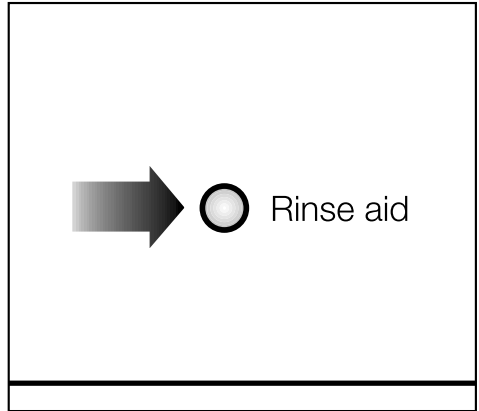
- Using a screwdriver, carefully pivot the float chamber towards the center of the reservoir.
- Using the needle nose pliers, first pull the cap ② off of the float chamber, then remove the float ③.
- Replace the float chamber cap, push the chamber back into its upright position, and replace the salt reservoir cap. The indicator lamp should now remain off.

Adding rinse aid

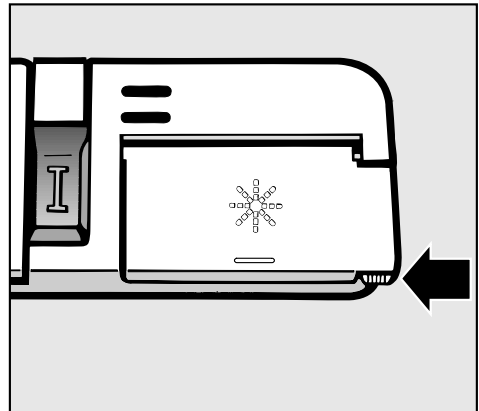
The use of Rinse Aid is recommended to prevent spotting on dishes and glassware that normally occurs during the drying phase of automatic dishwashing.

Inadvertently filling the rinse aid reservoir with detergent will always damage the reservoir. Only pour liquid rinse aid formulated for residential dishwashers into the reservoir.

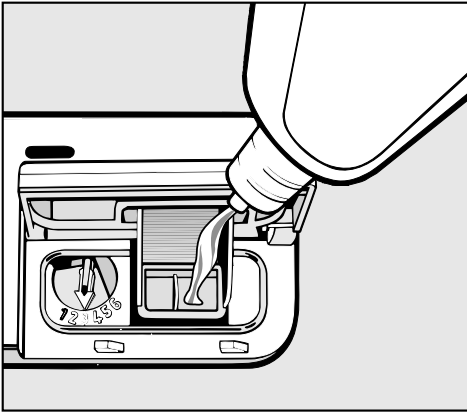
Adding rinse aid.



- Add Rinse Aid before the first use and anytime the “Rinse Aid” indicator lamp comes on.



- Press the button in the direction of the arrow until the flap springs open.



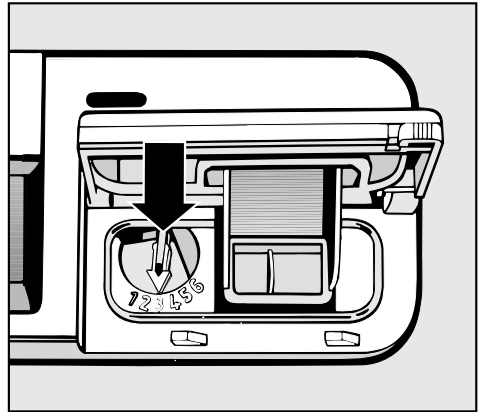
- Pour liquid rinse aid into the storage container until it is visible on the surface of the screen. Do not refill until the “Rinse aid” indicator lamp comes on.

Only use rinse aid specifically labeled for residential dishwashers. Inadvertently adding detergent will damage the rinse aid dispenser.

- Press on the flap until you hear it click shut. Failure to close it all the way will allow water to enter the reservoir during the wash program.
- Wipe up any spilled rinse aid.

The flap will remain closed during normal operation.

Setting the dosage.



The dosage selector comes factory set to 3. It can be adjusted from 1 to 6, depending on your requirements. This setting dispenses approximately 3 ml rinse aid per program.

- Use a higher setting if spots appear on dry glassware.
- If streaking appears on dishes or glasses, use a lower setting.

Loading the dishwasher

- Load the dishes so that water can reach all surfaces.
- Do not place dishes and cutlery inside other pieces where they may be concealed.
- Hollow items such as cups and glasses should be inverted and placed in the upper basket.
- Concave based items should be placed at an angle so that water can run off them freely, or placed on top of the coffee bar (See page 25).
- Tall, narrow, hollow pieces should be placed in the center of the basket, rather than in the corners, to ensure adequate water coverage.
- Small cups and glasses should be placed on the cup racks. Taller mugs and glasses can be placed underneath the rack.
- The spray arms must not be blocked by items which are too tall or hang through the baskets. If in doubt, test for free movement by manually rotating the spray arms.
- Some food items may contain natural dyes that can discolor plastic items in the dishwasher (e.g. carrots, tomatoes, ketchup, etc.). The stability of plastic items is not affected by this discoloration.

Some loading examples are shown on the following pages.

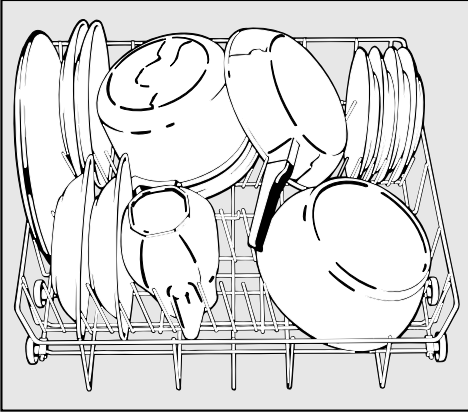
In areas where the water has high mineral content, it may be necessary to polish silverware after washing to achieve a high shine.

Loading the dishwasher

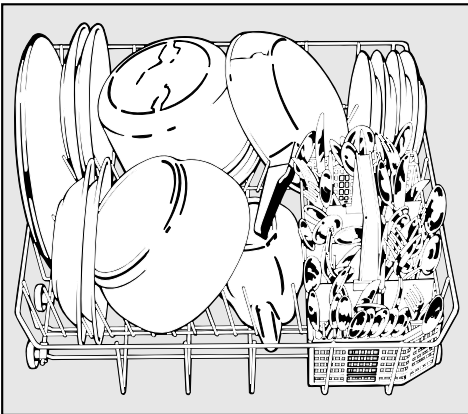
Loading examples.

Bottom basket.

For larger and heavier items such as plates, serving platters, saucepans, and bowls. Depending on the dishwasher model, glasses can be cleaned in the bottom basket if a special glassware insert is installed.

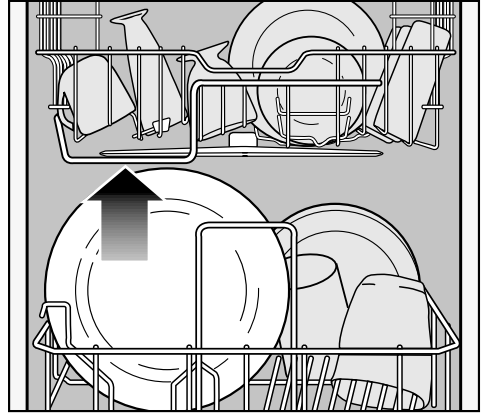


Dishwashers with cutlery tray.



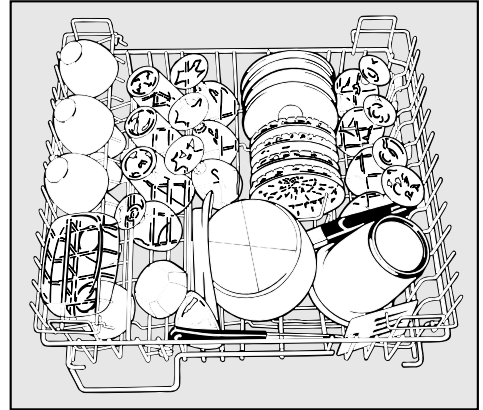
Dishwashers with cutlery basket.

Height limit



The height guard at the base of the upper basket is there to protect the middle spray arm. No object placed in the lower basket should stand higher than this guard.

Upper basket.

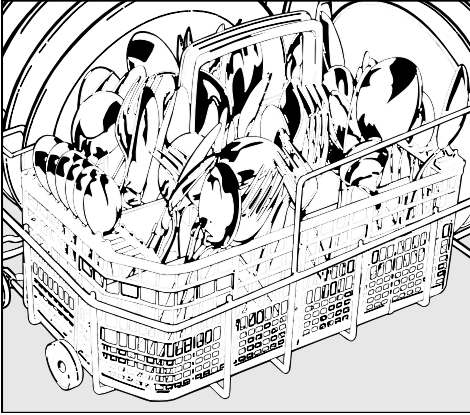


For small, lightweight, delicate items such as cups, saucers, glasses, dessert bowls, etc.

Loading the dishwasher

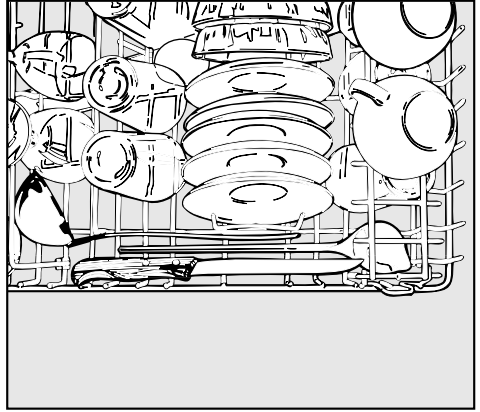
Cutlery

Dishwashers with cutlery basket:



Unsorted cutlery should be placed in the cutlery basket, with the sharp ends down.

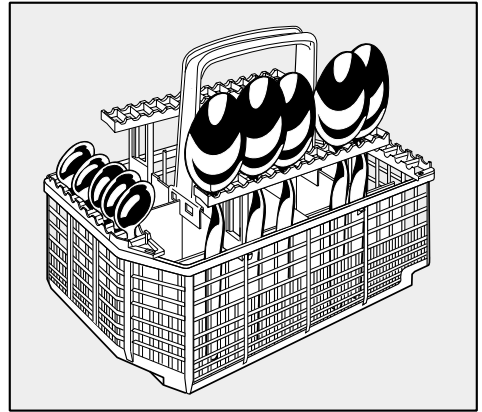
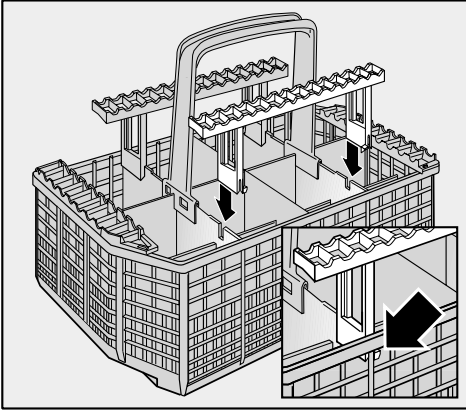
Place small spoons in the individual slots to either side of the cutlery basket.



Larger items like soup ladles, long knives and mixing spoons should be placed lying down across the front of the upper basket.

Utensil Insert for the Cutlery Basket

By ensuring that one piece of cutlery does not rest against another, the included Utensil Insert will optimize the cleaning of soiled spoons and forks.



- Place the utensil handles into the inserts, making sure that adjacent items do not touch.

To use the inserts:

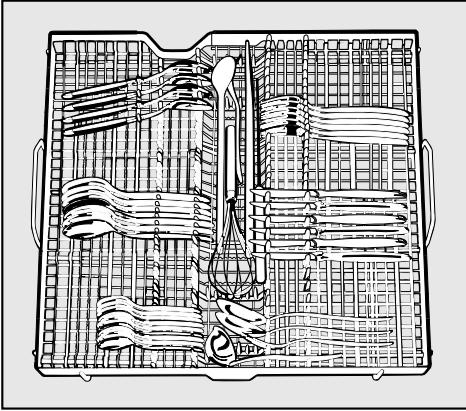
- Place one in front of and one behind the basket handle by pushing them down over the notches on the basket partition walls.

To remove the inserts:

- Press in the latching tabs, using a spoon handle if necessary, and remove the inserts from the basket.

Loading the dishwasher

Dishwasher with cutlery tray.

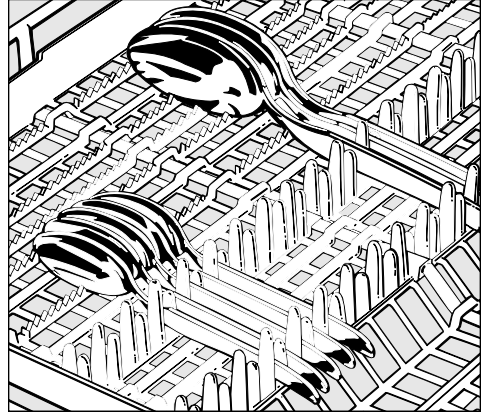


To make unloading easier, cutlery can be grouped in zones, one for knives, one for forks, etc.

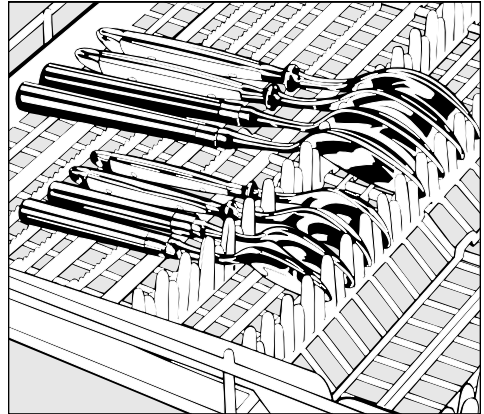
Larger items like sauce ladles, cake slices, long knives and mixing spoons can be placed lengthwise in the trough in the center of the tray.

Make sure that the upper spray arm can rotate freely after the tray is slid in, otherwise the rotation of the spray arm may be inadequate for a thorough cleaning.

The cutlery tray insert is removable.



Spoon heads should be placed so that water can run off them freely.

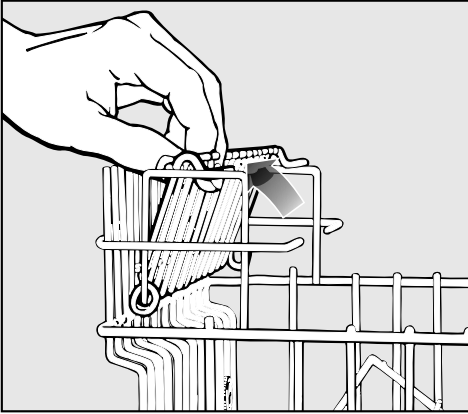


Place the heads of cutlery with round or oval handles in the holders. This will secure them during the wash cycle.

Place spoons so that their heads are secured in at least one holder so they cannot flip over and collect water.

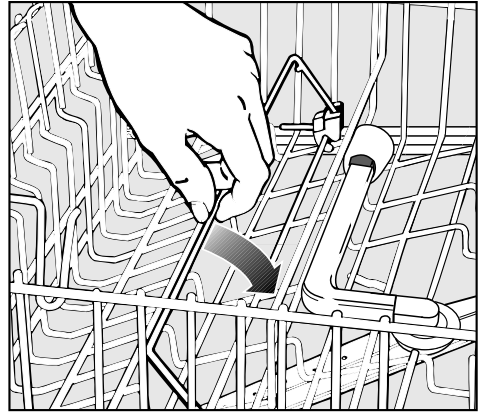
Loading the dishwasher

Adjustable cup racks.



To make room for tall glasses, raise the rack. Lower it to double stack smaller items.

Coffee bar.



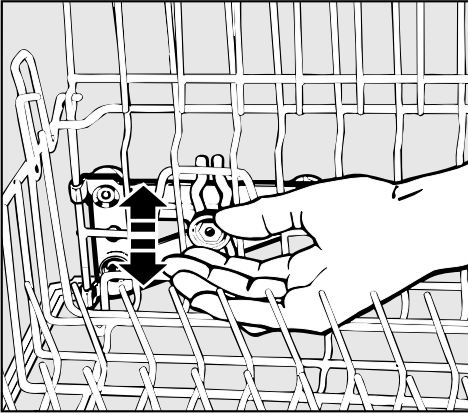
To allow water to run off of the bottom of coffee mugs, place them at a slant on top of the coffee bar. The bar can also be used as a separator between two rows of glasses to protect them and keep them from leaning against each other. To stack wide items, flip the bar to the right.

Loading the dishwasher

Adjusting the upper basket.

(depending on model)

The upper basket height is adjustable. If tall items of dishware are being washed, more room can be obtained by raising or lowering the upper basket.



- Pull out the upper basket and loosen the two locknuts on either side of the basket.
- Adjust the basket up or down to the desired height.
- Tighten the locknuts.

The upper basket can also be set at an angle with one side high and the other side low.

Depending on the setting of the upper basket, the following dishware dimensions can be accommodated:

Dishwashers with cutlery tray

| Upper basket position | Upper basket diameter | Lower basket diameter |
|-----------------------|-----------------------|-----------------------|
| Top | 8" (20.5 cm) | 12" (30 cm) |
| Middle | 9" (22.5 cm) | 11" (28 cm) |
| Bottom | 10" (24.5 cm) | 10 1/2" (26 cm) |

Dishwashers with cutlery basket

(non-adjustable upper basket)

Upper basket diameter 11"

Lower basket diameter 11"

Items not suitable for dishwashers

- Cutlery with wooden handles.
- Wooden cutting boards.
- Glued items such as old knives with handles that are glued together around the shank of the blade.
- Hand made craft items.
- Copper or tin items.
- Plastic items which are not heat resistant.

Please note:

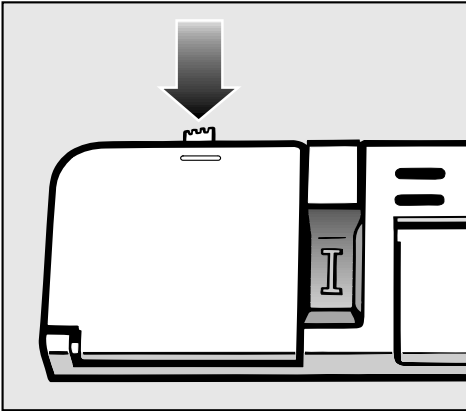
- Silver or aluminum items may suffer some discoloration.
- Aluminum parts (eg. oven hood grease filters) should not be cleaned using commercial or industrial detergents. These high alkaline detergents may damage the machine, and in extreme instances, cause explosive chemical reactions.
- Silverware previously cleaned with a silver polish may be damp or spotted at the end of a program where water has adhered to the polish. This can be rubbed off with a soft, dry cloth. Silver that has previously been cleaned in an immersion dip is usually dry at the end of a program, but may discolor (tarnish).
- Colors on dishware that have been painted over the glaze may fade over time.
- Clouding may occur on glasses after frequent washing.

Miele recommends:

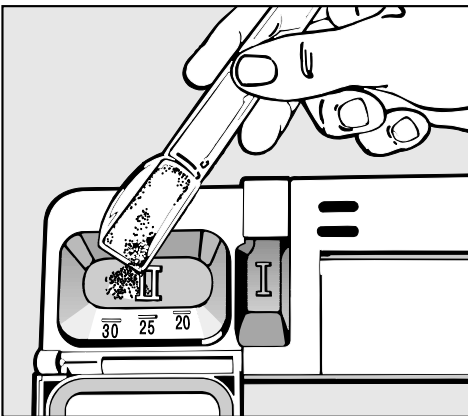
- Wash delicate glassware using the ECONOMY program or the CHINA & CRYSTAL program with a temperature of 45 °C/115 °F (if so equipped). This will reduce the risk of clouding.
- There are no standard guidelines for washing glassware. When in doubt, wash by hand.
- When purchasing new dishes and cutlery, make sure they are dishwasher safe.

Adding detergent

Use only powder detergents formulated for residential dishwashers.
Do not use gels or liquid detergents.



- Press the latch on the detergent dispenser. The cover will spring open.
- Fill the dispenser with one to two tablespoons of powder detergent.



- Close the cover. The cover will always be open at the end of a wash program (excluding the RINSE & HOLD program).

Generally, filling the dispenser with one to two tablespoons of detergent will be sufficient to ensure thorough cleaning. If dishes are extra dirty, or if the soil has been allowed to dry on the dishes before washing, a program utilizing a pre-wash cycle should be selected. In this case, extra detergent can be added to the small compartment labeled (I) in the center of the dispenser.

Dishwasher detergents contain irritant and corrosive ingredients. They can cause burns in the mouth and throat if swallowed, or inhibit breathing. Keep children away from detergent and from the dishwasher when the door is open.

To avoid the danger of children coming into contact with dishwasher detergent, only fill the detergent dispenser immediately before starting the program.

Capacities:

Compartment I (prewash) takes a maximum of 1 ounce (25 ml) and Compartment II (main wash) takes a maximum of 3 ounces (80 ml) when completely filled. There are horizontal marks to assist you in filling Compartment II. The marks indicate a level of approximately 3/4, 1, and 1 1/4 ounces (20, 25 and 30 ml respectively).

Choosing a program

The wash program chosen should depend on the type of dishes and the degree of soiling.

In most cases a NORMAL program will give excellent results.

The available programs and some of their applications are listed in the Program Chart on the next two pages.

Program chart

| Program | When to use | Detergent | | |
|---------------------------|---|-----------------------------------|--------------------------------|--------------------------------|
| | | containing chlorine ¹⁾ | | chlorine free ²⁾ |
| | | Compartment I (Pre-wash) | Compartment II (Wash cycle) | Compartment II (Wash cycle) |
| Program | | | | |
| NORMAL 55 °C/130 °F | This program is for normal everyday loads. | 20 % | 80 % | 100 % |
| NORMAL 65 °C/150 °F | Same as NORMAL 55 °C/130 °F, but at a higher temperature. Use for stubborn dried on particles . | 20 % | 80 % | 100 % |
| INTENSIVE 55 °C/130 °F | Contains an additional pre-wash cycle. Use for heavily soiled dishes. | 20 % | 80 % | 100 % |
| INTENSIVE 65 °C/150 °F | Same as INTENSIVE 55 °C/130 °F, but at a higher temperature. Use for stubborn dried on particles and lightly soiled pots and pans. | 20 % | 80 % | 100 % |
| Special programs | | | | |
| ECONOMY 55 °C/130 °F | For a half sized load, or for a full load with very light soiling (e.g. coffee cups). | | 50 % ³⁾ | 50 % ³⁾ |
| RINSE & HOLD | For rinsing dishes if a complete program is not yet needed. | | | |

The dispensing method will depend on the type of detergent being used:

- 1) Use this ratio for:
 - detergents which contain phosphates and chlorine

Divide the total amount, as shown, between compartment I and compartment II.
- 2) Use this ratio for:
 - detergent which is chlorine and phosphate free
 - detergent which is chlorine free but contains phosphates

In this instance the whole amount is placed in compartment II.
- 3) Use half of your normal amount of detergent.

For the NORMAL and INTENSIVE programs, one to two tablespoons of detergent is usually sufficient for excellent wash results.

Program chart

| Program cycle | | | | | | Usage | | Duration |
|-------------------------|-------------|-----------|---------------|-------------|--------|---------------------------------------|-------------------------------|-------------------|
| | | | | | | Electric (kWh) | Water | |
| 1. Preliminary pre-wash | 2. Pre-wash | Main wash | Interim rinse | Final rinse | Drying | Hot water connection (49 °C / 120 °F) | Liters/ Gallons ⁴⁾ | Minutes (approx.) |
| | X | X | X | X | X | 0.9 | 19.6 / 5.2 | 104 |
| | X | X | X | X | X | 1.2 | 19.6 / 5.2 | 109 |
| X | X | X | X | X | X | 0.9 | 24.5 / 6.5 | 109 |
| X | X | X | X | X | X | 1.0 | 24.5 / 6.5 | 110 |
| | | X | X | X | X | 0.8 ⁵⁾ | 14.7 / 3.9 | 83 ⁵⁾ |
| X | | | | | | 0.06 | 5 / 1.3 | 8 |

4) For models without water softener

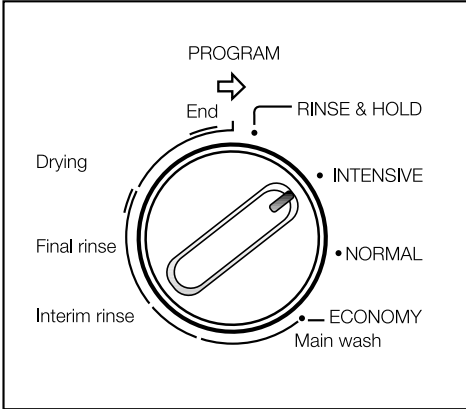
5) With half loads (Dishwasher with cutlery tray – 6 place settings
dishwasherwith cutlery basket – 7 place settings)

X = cycle being used

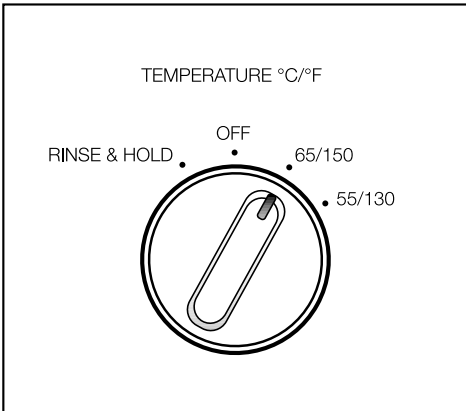
Operating the dishwasher

Turning on.

- Close the door.
- Open the water valve (if closed).



- Turn the Program knob clockwise to the desired program.



- Select the desired temperature, or the "RINSE & HOLD" program.
- The wash program will begin.

If you turn the Program knob past your desired program by mistake:

- Turn the Temperature selector to "OFF".
- Turn the program knob clockwise past the 12 o'clock position, until the desired program is reached.
- Select the temperature. The new program will start.

Changing programs.

- Wash temperatures can be changed while a program is running, by turning the Temperature selector.
- If a different wash program is desired, follow the above procedure.

Turning off.

- When finished, the program will stop automatically.

Your Miele dishwasher is designed to shut off the water flow and drain the machine in the rare event of a valve failure. In order for this function to be active, the door must be shut, a temperature must be selected, and the program knob must be in the "End" (12 o'clock) position.

Program sequence indication.

During the wash program, the program knob will move around the dial and show which section of the wash cycle has been reached.

- Pre-wash (not shown)
- Main wash
- Interim rinse
- Final rinse
- Drying

The dial will remain stationary during the heating stages of the wash and rinse cycles, until the required temperatures have been reached.

When the program has been completed, the dial will be in the “End” position.

The dishwasher can now be opened and unloaded. If the dishes are not immediately needed, leaving the door closed will allow the fan to run a few minutes longer to remove any remaining moisture.

The “RINSE & HOLD” program has been completed when the program dial stops just before the starting point of the “INTENSIVE” program.

Program interruption

A program is interrupted as soon as the door is opened. If the door is closed again, the program will proceed from its previous position.

Warning

The water in the dishwasher may be hot, and steam may be present! Only open the door if absolutely necessary and exercise extreme caution when doing so. The danger of burns and scalding exists. Once the door has been opened, allow 20-30 seconds for the internal temperature to equalize before closing it again, and make sure it clicks into place.

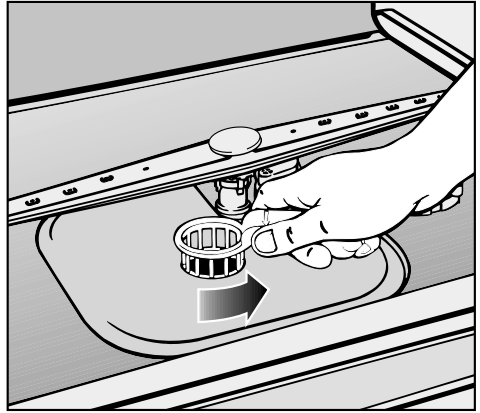
Operating the dishwasher

Unloading the dishwasher

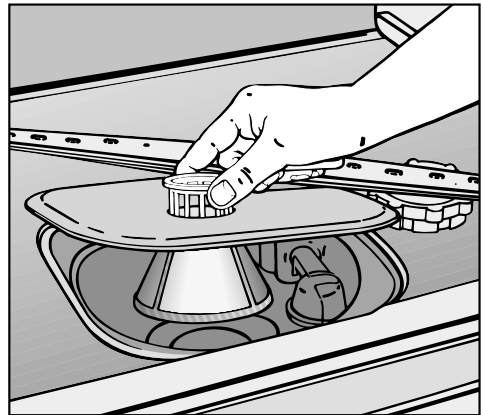
- Dishes tend to break and chip easier when they are hot. Allow the dishes to cool down until they are comfortable enough to handle before unloading them.
- If the door is opened at the end of the drying cycle, the dishes will cool much faster.
- Unload the lower basket first, then the upper basket and cutlery tray (if so equipped). This will prevent water drops from the upper basket or cutlery tray from falling onto the dishes in the lower basket.

Cleaning the filters in the wash cabinet.

The combination filter in the base of the wash cabinet should be regularly inspected and cleaned as necessary. Any broken glass or dishware should be removed immediately upon discovery. Use caution when cleaning the filters, non-return valve or drain pump, as glass or bone splinters may be caught in the bottom of the wash cabinet.

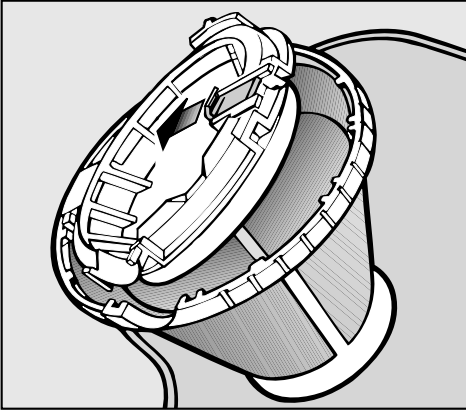


- Turn the handle counterclockwise to release the filters.

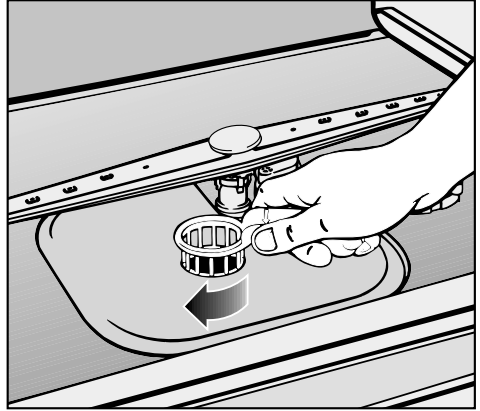


- Lift the combination filter out of the machine. Remove any coarse particles and rinse it under running water. A nylon brush can be used, if necessary.

Cleaning and care



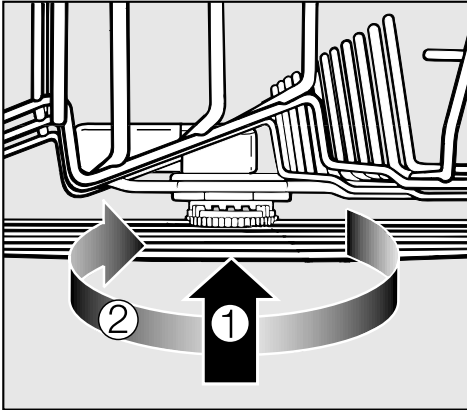
- Turn the combination filter over and open the coarse filter cover by pulling back on the locking tab.
- After cleaning, make sure that the coarse filter cover is properly locked in place.



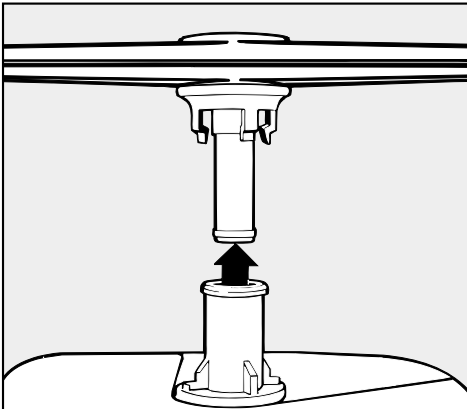
- Replace the combination filter so that it lies flat in the base of the wash cabinet. Secure it by turning the handle clockwise.

Cleaning the spray arms.

On rare occasions particles of food may get stuck in the spray arm jets. They can be easily cleaned as follows:



- To remove the middle spray arm located beneath the upper basket, gently push upwards until it engages in the ratchet ①, then unscrew it ②.



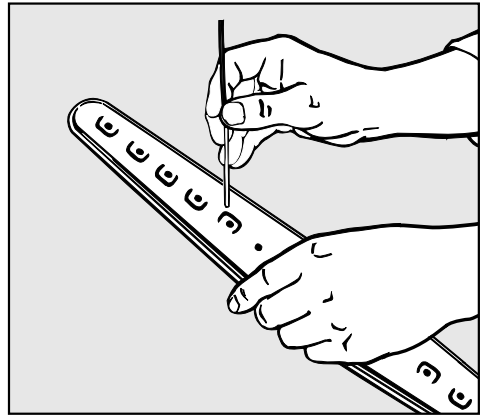
- Lift up on the lower spray arm to remove it.

Dishwashers with cutlery basket:

- Unscrew the upper spray arm.

Dishwashers with cutlery tray:

- Pull out the cutlery tray.
- Push up on the upper spray arm to engage the tooth-wheel mechanism and then unscrew the spray arm.



- To clean the spray arms, use a pointed object to push the the food particles into the jets.
- Rinse under running water to complete the process.
- After cleaning, replace the spray arms.

Important:

After replacing the spray arms, check that they rotate freely.

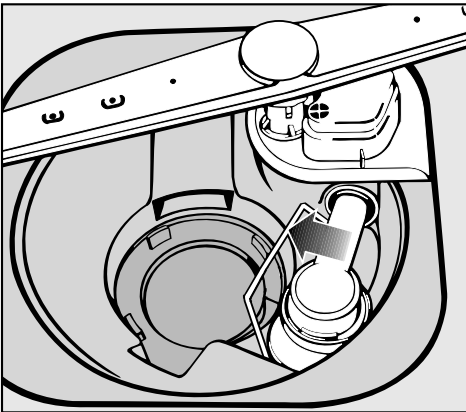
Cleaning and care

Cleaning the drain pump and non-return valve.

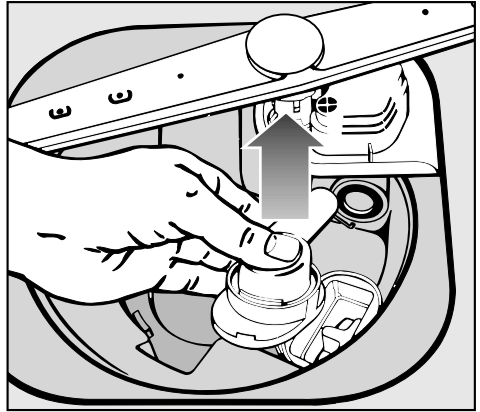
Use caution when cleaning the filters, non-return valve or drain pump, as glass or bone splinters may be caught in the bottom of the wash cabinet.

If the water in the dishwasher is not completely drained at the end of a program, the drain pump or non-return valve may be blocked. To clean them:

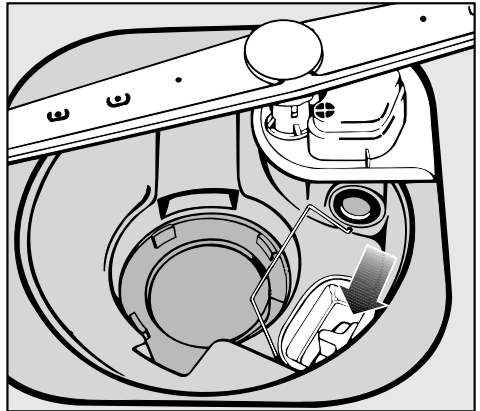
- Remove the combination filter.
- Use a jug or bowl to scoop the water out of the wash cabinet.



- Tilt the locking clamp to the side.



- Pull out the non-return valve.
- Rinse the non-return valve under running water.



The drain pump is situated under the non-return valve (see arrow).

- Before replacing the non-return valve, check to make sure that nothing is obstructing the drain pump. Spin the impeller several times in both directions; it should turn smoothly.
- Carefully replace the non-return valve and secure it with the locking clamp.
- Replace and secure the combination filter.

Cleaning the water intake filter.

The water valve housing on the inlet hose contains electrical components and should not be immersed, or run through water.

A filter is incorporated in the intake hose that is attached to the dishwasher's main shutoff valve. If your water supply is hard, or the pipes contain sediment; this filter may clog and prevent sufficient water from entering the wash cabinet. It can be cleaned as follows:

Cleaning the filter.

Disconnect the dishwasher from the electrical supply (unplug it or shut off the circuit breaker).



- Turn off the main shutoff valve and unscrew the intake hose.
- Carefully remove the rubber seal.
- Remove the filter using needle nose pliers and clean it by rinsing under running water.
- Replace the filter and seal. Make sure they are seated correctly.
- Screw the intake hose back onto the water valve, making certain it is not cross-threaded.
- Slowly turn on the valve and test for leaks.

Installing an in-line water filter.

- If your water supply contains a large number of insoluble substances, we recommend installing a filter between the valve and the intake hose connection. These filters can be obtained from the Miele Parts Department.

Cleaning and care

Cleaning the wash cabinet.

Generally the wash cabinet is self-cleaning, provided that the correct amount of dishwasher detergent is used.

If lime scale or grease deposits form, they can be removed with a special dishwasher cleaner available from the Miele Parts Department.

Cleaning the door and the door seal.

- Wipe the door seal with a damp cloth to remove any food particles.
- Food residue and drink spillage should be wiped from the sides of the dishwasher door. These areas are not normally cleaned by water from the spray arms.

Cleaning the control panel.

- The control panel can be cleaned using a damp cloth and mild detergent.

Do not use abrasive, all purpose, or glass cleaners, as their use may damage plastic surfaces.

Cleaning the door panel.

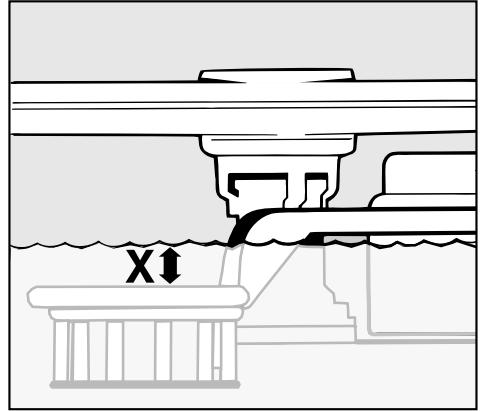
- Plastic laminate panels should be cleaned using a suitable, non-abrasive cleaning agent, or mild soapy water.
- Panels made from wood should be cleaned using a soft damp cloth and an appropriate wood cleaner.

Checking the water level

Checking the water level.

If the water pressure is less than 14.5 psi (1 bar), too little water may flow into the wash cabinet.

- To check the water level, open the water valve completely and run the RINSE & HOLD program once (without dishes), to bring water into the system.
- Start the RINSE & HOLD program again. After approximately 3 minutes, open the door and remove the lower basket from the machine.

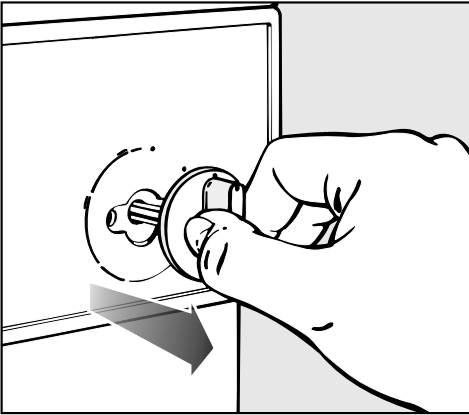


The water level is correct when dimension "X" is at least 1/8" (4 mm).

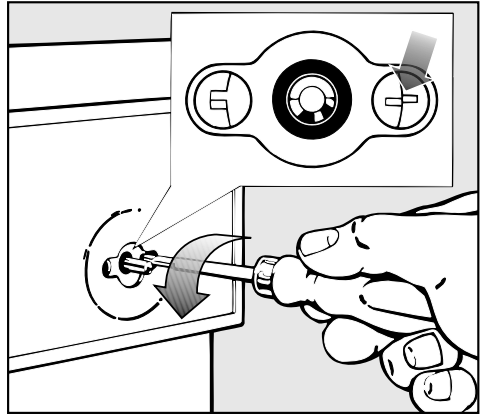
- If it measures less, the water intake time must be increased.

Checking the water level

Increasing the water intake time.



- **Position the program knob vertically,** then pull it off.



- Using a small screwdriver, turn the adjusting slot on the right hand side of the spindle carefully counterclockwise until it clicks into position.



= Counterclockwise turn
(increases water intake to 2 min.)



= Clockwise turn
(factory setting - 1 min.)

Note:

If the water intake time has been increased, the water hardness selector should be set one number higher than that stated in the “Water softener” chapter (if applicable).

With the aid of the following notes, minor problems can be easily corrected. If you are unable to correct the problem, please contact the Miele Service Department.

Any work on the electrical components of the appliance should only be performed by a qualified and trained person in accordance with local and national regulations. Unauthorized repairs could be dangerous.

Problems and possible causes.

The dishwasher does not start.

- The door is not properly closed.
- The plug is not properly inserted.
- The circuit breaker has tripped.

The dishes are not clean.

- The dishes are loaded incorrectly.
- The wrong amount or type of detergent was used.
- The water pressure is too low (allowing too little water into the dishwasher). See “Checking the water level”.
- The water intake filter is clogged. See “Cleaning and care”.
- The filters in the wash cabinet are not clean. See “Cleaning and care”.
- The spray arm jets are blocked - see “Cleaning and care”.
- The spray arms are obstructed by items in the baskets.

White residue is visible on cutlery and dishes.

- Not enough rinse aid was used.
- No salt in the salt reservoir.
- The salt reservoir lid has not been screwed on properly.

Water remains in the dishwasher at the end of a program.

- The drain hose is kinked or clogged.
- The drain pump or non-return valve may be blocked. See “Cleaning and care”.

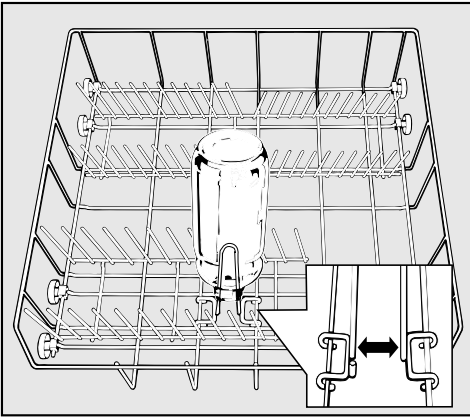
After Sales Service.

- Should you still have difficulties, or if the appliance is under warranty, please contact the Miele Service Department.
(See back cover for address).
- Please give the model and serial number of your appliance. This information can be found on the data plate inside the door.

Accessories

Bottle holder.

(depending on model)



A bottle holder (for milk or baby bottles) is available for use in the lower basket.

To achieve the proper cleaning results, the bottle holder should only be placed in the basket as shown in the illustration.

Glass insert for the upper basket:

provides special support for long stemmed glassware.

Decor panel kit (GDU):

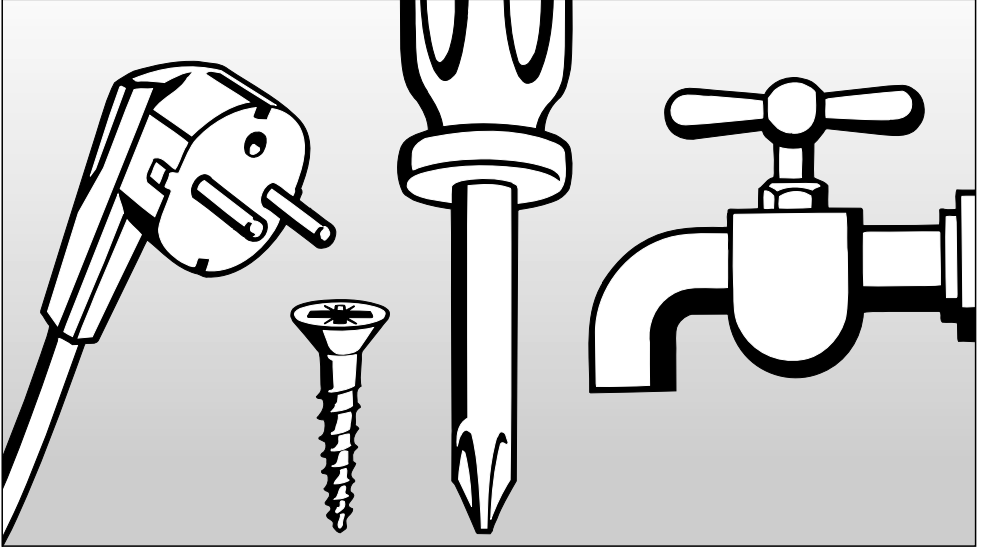
to change an "i" model into a "u" model dishwasher.

Side mount brackets:

For installing a dishwasher under Corian® or granite countertops.

These and other accessories are available through your Dealer or the Miele Parts Department.

Installation instructions



Contents

| | |
|---|----|
| Dishwasher installation | 47 |
| 1. Installing the steam deflector. | 47 |
| 2. Installing the dishwasher under the countertop. | 48 |
| 3. Installing the control panel. | 50 |
| 4. Aligning the control panel with the drawer fronts. | 51 |
| 5. Installing the custom door panel. | 51 |
| 6. Adjusting the door springs. | 55 |
| 7. Securing the dishwasher to the countertop. | 55 |
| 8. Installing the toekick. | 57 |
| Electrical connection | 60 |
| Plumbing | 62 |
| Technical Data | 66 |

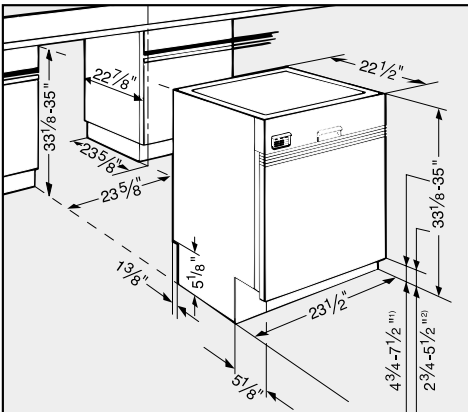
The “i” model dishwasher is specially designed for installation under a continuous countertop.

A panel can be custom made for installation on the front of the dishwasher, assuring a perfect match with the kitchen cabinetry.

If a standard non-cabinet matching dishwasher installation is desired, the “i” model dishwasher can be converted into a “U” model through the addition of a GDU 60/65 decor kit. The decor kit comes supplied with separate installation instructions.

To ensure stability, these dishwashers should only be installed under a continuous countertop which is securely fastened to the cabinet base units.

Dimensions:



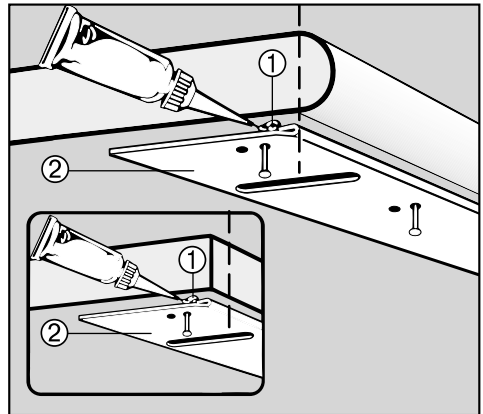
1) with 35" (890 mm) machine height

2) with 33 1/8" (840 mm) machine height

Range of adjustment is approximately 2" (5 cm).

1. Installing the steam deflector, (if applicable).

A stainless steel plate is supplied to protect the underside of the countertop against steam rising from the dishwasher when the door is opened. If the countertop is made of Corian®, granite, marble or other solid, waterproof material, the steam deflector should not be used.



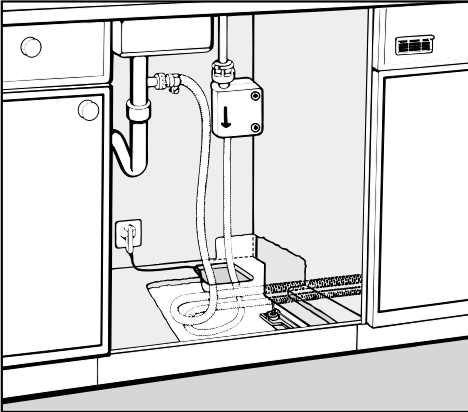
- Squeeze a bead of sealant from the supplied tube into the angle formed by the curved edge ① of the cover-plate.
- Align the plate ② with the lower front edge of the countertop (see illustration) and use the supplied tacks to nail it in place.

On countertops with wood or laminate edging, the tacks should be nailed through the rear holes of the plate.

Dishwasher installation

2. Installing the dishwasher under the countertop.

It is preferable to install the main water and electric supplies so that they can be accessed through an adjacent cabinet, rather than situating them behind the machine. See the "Plumbing" and "Electrical" sections for proper connection procedures before continuing.

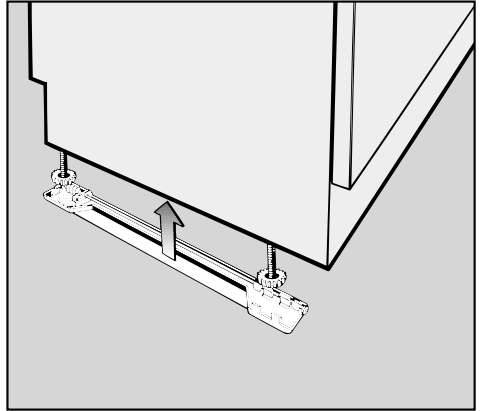


Certain steps in the installation procedures require that the dishwasher be pulled out of its opening. For this reason, perform the final plumbing and electrical connections after the machine has been levelled and the front panel has been mounted.

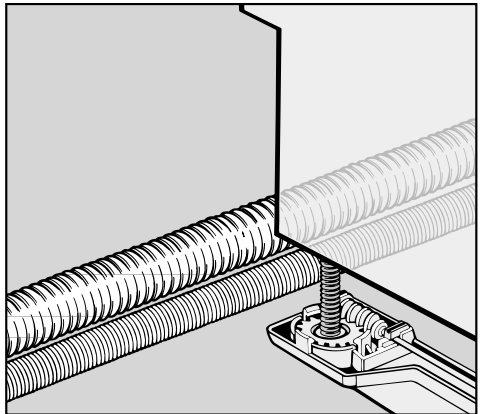
Install the slides.

Two slides are included and should be installed on the feet of the dishwasher before the machine is pushed under the countertop. This will allow the machine to slide easier, protect the floor, and allow adjustment of the rear leveling legs from the front of the machine.

- Place the slides, with the ratchet at the rear, onto the dishwasher legs.

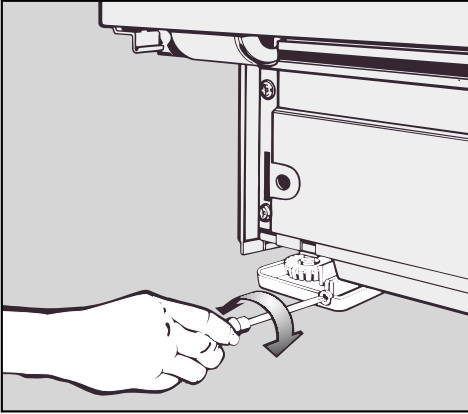


- Unscrew the legs to raise the machine to within 1/4" (5 mm) of the underside of the countertop, and check that the machine is level, before sliding it into its opening.



- Push the machine into the opening, making sure the electrical cable and hoses can reach their connection points without being kinked.

Dishwasher installation

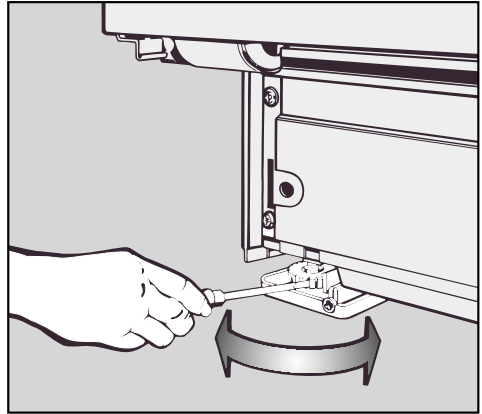


- Adjust the rear leveling legs to the required height.

To raise the machine - turn clockwise.

To lower the machine - turn counter-clockwise.

Several turns may be needed to set the correct height. A low speed electric or cordless screwdriver can also be used.



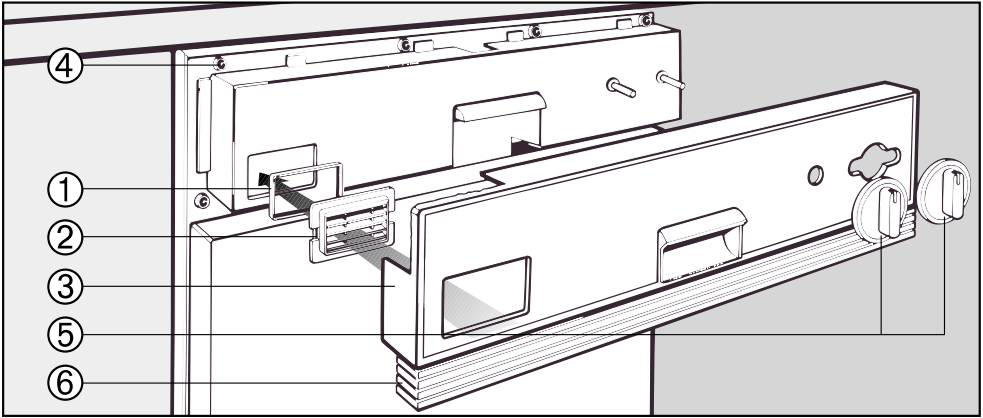
- Adjust the front leveling legs by pushing on the foot with a slotted screwdriver.
- Tipping the machine slightly, if possible, will make adjusting the front legs easier. Make sure the machine is level when adjustments are complete.

The dishwasher should be raised until it just touches the underside of the countertop.

Dishwasher installation

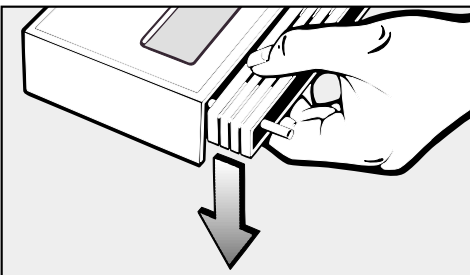
3. Installing the control panel.

The control panel and hardware is packaged separately from the dishwasher. It should be installed using the following procedure.



If a GDU decor kit is being used, (to convert an “I” dishwasher to a “U” version), the spacer bars ⑥ must first be removed and stored for possible use in the future (See the separate instructions for installing the GDU decor kit). If the GDU kit is not being used, skip the following step.

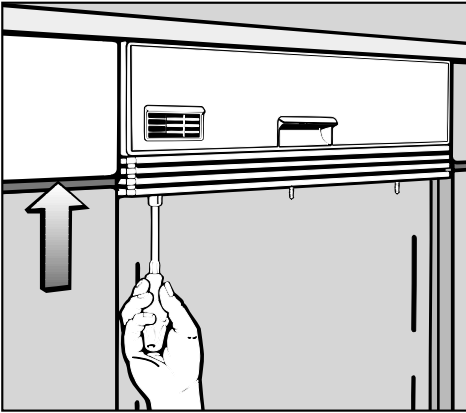
- Install the number of spacer bars ⑥ required to align the lower edge of the control panel with the neighboring cabinet drawer line.
- Place the supplied seal ① onto the ventilation grill ②.
- Push the ventilation grill ② into the metal backing plate.
- Place the control panel ③ over the backing plate and fasten it from the inside of the door ④ using the six screws provided.
- Align and press the program knobs onto their shafts ⑤.



- To remove the spacer bars from the control panel, place the panel on a table, printed side up, and gently push down on the spacer bars at a point near the bottom of the control panel. This will release the mounting bolts from their slots.

4. Aligning the control panel with the drawer fronts.

- The control panel can be aligned with the drawer fronts of the kitchen cabinets by adjusting the spacer bars.



- Using an 8 mm socket, turn the nut clockwise or counterclockwise until the spacers reach the required height.
- If necessary, individual (or all) spacer bars can be removed.

Adjustment range

from 4 1/2" control panel with-
(112 mm): out spacer bars,

to 5 3/4" control panel with
(145 mm): four spacer bars,

to 6": using a fifth spacer bar
(154 mm): (optional accessory).

- After adjusting the control panel height, cut off the plastic screw excess.

5. Installing the custom door panel.

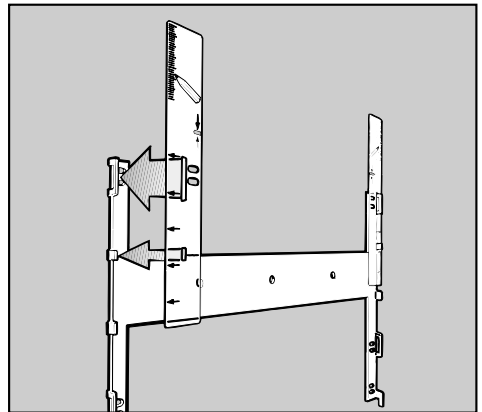
A custom door panel matching the kitchen cabinetry can be installed on the dishwasher by using the provided templates and bracket.

Length: 21" - 25 3/4" (53.3 - 65.4 cm)

Width: 23 1/2" (59.8 cm)

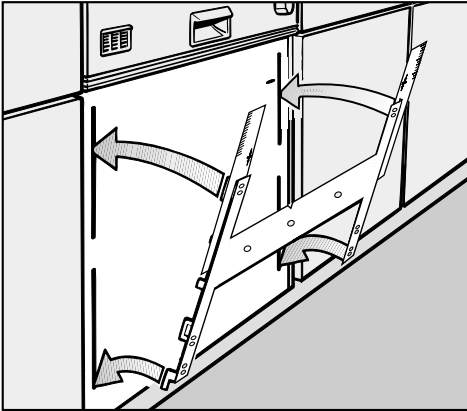
Note: The maximum panel length is only applicable when no spacer bars are used.

After panel installation, see Step 6 "Adjusting the door springs".

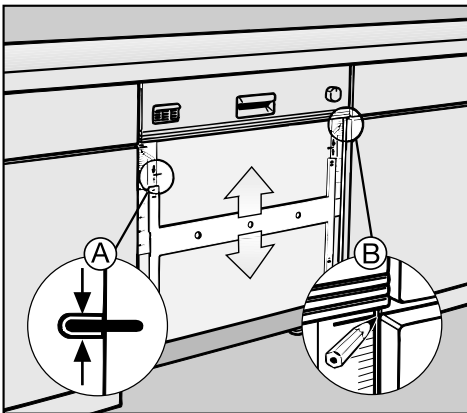


- Place a template on each end of the bracket as shown, making sure the rule marks face the outside of the bracket.

Dishwasher installation

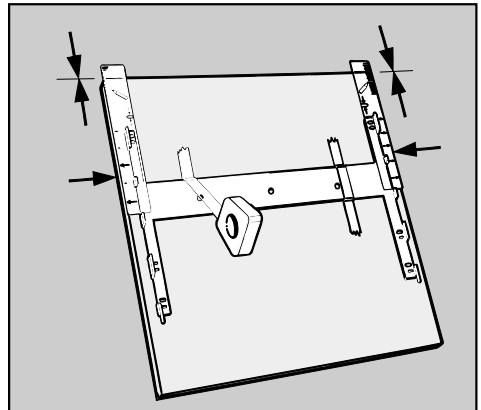


- Hang the bracket on the machine door.
- Slide the top edge of the templates under the spacer bars and control panel.



- Slide the mounting bracket up or down until the oblong holes on the machine door align with the corresponding marks on the template (as shown in the left side of inset A).
- Draw a line on each template that is even with the top edge of the adjacent cabinet door (inset B).

- Remove the bracket from the door.
- Place the door panel on a flat surface, good side facing down, taking care not to scratch the surface. Make certain that the bottom of the panel is closest to you.
- Place the bracket on the back of the door panel and adjust it so that:
 - the lines you drew on the templates align with the upper edge of the door panel and;
 - the mounting bracket is centered (left to right) on the door panel.

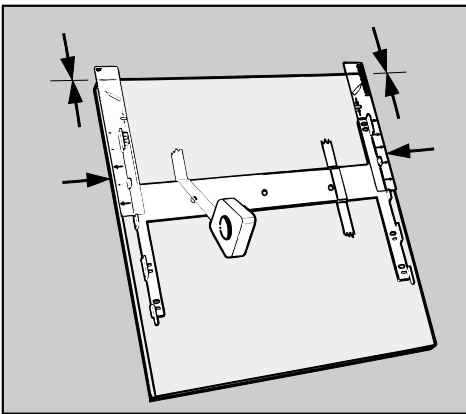


- Tape the bracket to the door panel to hold it in place while the mounting holes are being drilled.
- Proceed to step "Drill pilot holes ...".

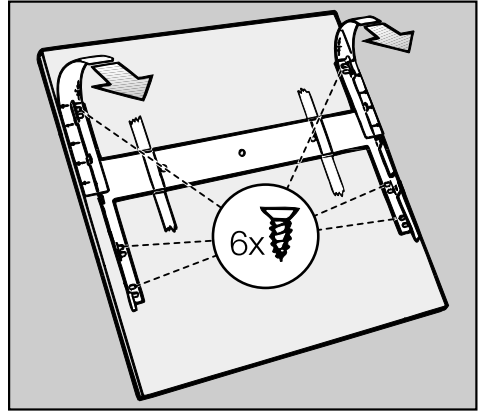
Dishwasher installation

If the adjacent cabinetry (or appliance) does not have drawers and alignment to a drawer line is impossible:

- Hang the bracket on the machine door, without the templates, and tighten the four locking screws on the edges of the door panel.
- Close the door.
- Measure the distance from the adjacent cabinet (or appliance) door bottom to the bottom of the mounting bracket (X).
- Using measurement (X), draw a line on the rear of the door panel (X) inches up from the bottom.
- Remove the bracket from the machine door and place it on the rear of the door panel so that:
 - the bracket is centered left to right, and
 - the bottom of the bracket is aligned with the (X) line.

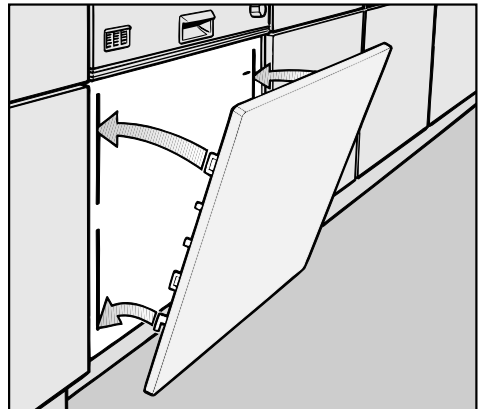


- Tape the bracket to the door panel to hold it in place while the mounting holes are being drilled.



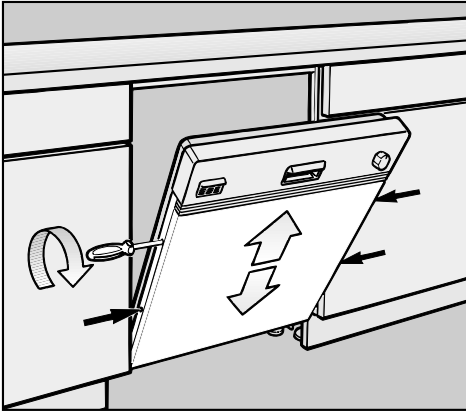
- Drill pilot holes for the screws using a 3/32" (2.5 mm) bit.
- Attach the bracket to the panel using the 6 screws provided.
- Remove the templates (if used).

The templates should be kept in case you want to install a different door panel on the dishwasher at a later date.



- Attach the panel to the dishwasher by aligning the bracket tabs with the slots on the door.

Dishwasher installation



Once the door panel is positioned correctly :

- Open the dishwasher door.
- Tighten all the Torx screws on the edges of the dishwasher door.
- Use the provided caps to plug the locking screw access holes.

- Open the dishwasher door slightly. If the locking screws on the edge of the dishwasher door can not be reached, the dishwasher will have to be pulled out of its recess a few inches.
- Push up one side of the door panel until it touches the spacer bars (or control panel if spacer bars are not being used) and lightly tighten the T20 Torx screw on the corresponding edge of the machine door.
- Repeat the process with the other side of the door panel.
- Shut the door.
- Check that the door panel is adjusted correctly. It should be snug at the top and neatly aligned with the cabinet drawer and door lines. If it isn't aligned properly, loosen the Torx screws and readjust the panel

6. Adjusting the door springs.

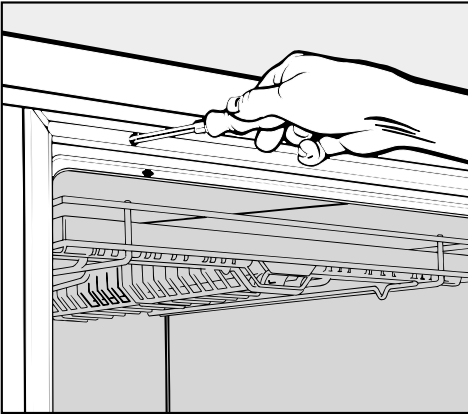
The door springs are adjusted correctly when a half opened door remains in that position when released.

If the door drops down, the spring tension needs to be increased.

If the door closes, the spring tension needs to be decreased.

The adjusting screw is located in the upper front strip, on the left hand side of the dishwasher.

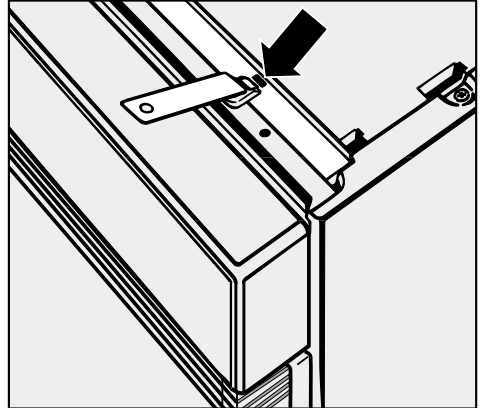
- Open the dishwasher door.



- Adjust the door springs to the correct balance by using a TORX screwdriver:
 - turn clockwise to increase the tension
 - turn counterclockwise to decrease the tension.

7. Securing the dishwasher to the countertop.

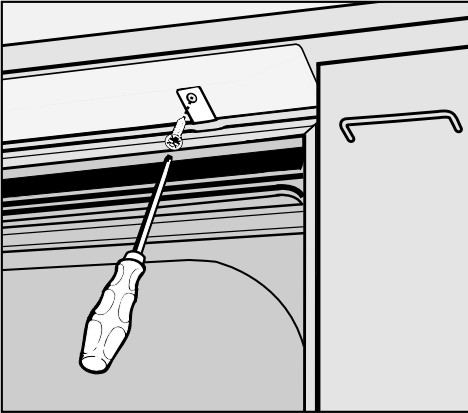
To ensure the stability of the dishwasher, it must be attached to the countertop after it has been positioned.



- Insert one mounting bracket into each of the slots located at the left and right side of the machine top.
- Push the machine into its recess and if necessary, raise the dishwasher by extending the feet until it just touches the underside of the countertop.

If a steam deflector is installed under the countertop, the bracket holes must align with the slots in the deflector.

Dishwasher installation



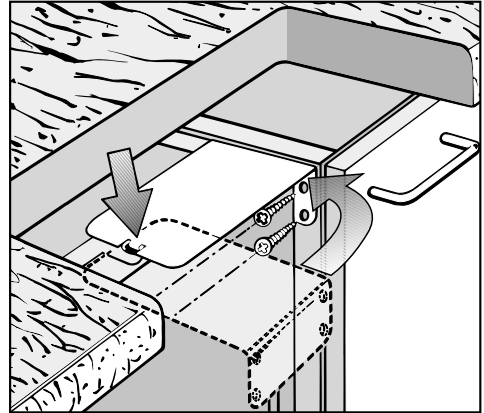
- Open the dishwasher door and using flat head screws, secure the dishwasher to the countertop by screwing through both the mounting brackets and the steam deflector.

Make certain that the white rubber seal located at the top, outer edge of the dishwasher is tight against the bottom of the countertop.

Do not drill any additional holes through any portion of the wash cabinet. If in doubt how to secure the dishwasher, please call the Miele Service Department.

For Corian® or granite countertops, fasten the dishwasher to the adjacent cabinets as follows:

For openings greater than 23 5/8" (60 cm) wide:

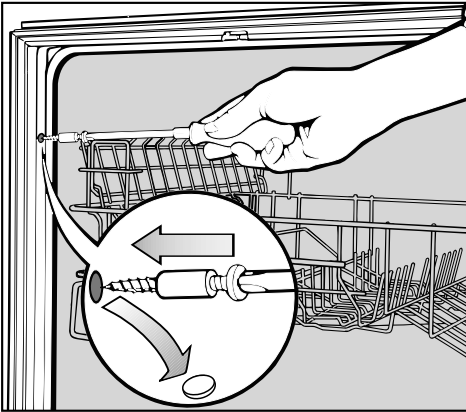


- Pull the dishwasher 4" (10 cm) out of its opening.
- Insert the tab of each optional mounting bracket into the guide hole on top of the dishwasher, and then swing it to the right or left as required.

Push the dishwasher back into its opening, align and fasten it to the adjacent cabinets using 2 screws for each bracket.

For openings exactly 23 5/8" (60 cm) wide:

- Open the dishwasher door and remove the caps covering the mounting holes on the outer edge of the wash chamber.



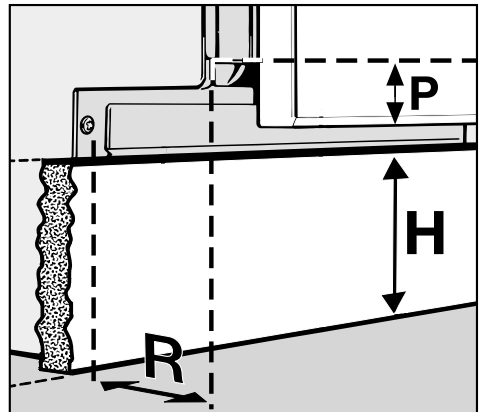
- Fasten the dishwasher to the adjacent cabinets using the supplied screws and bushings. Make sure a bushing is placed over the screw before inserting it into its mounting hole.
- Tighten the screws and replace the caps.

The side mounting holes should only be used for securing the dishwasher if the opening is exactly 23 5/8" (60 cm) wide. Use of this method on larger openings will damage the machine and cause leaks.

8. Installing the toekick.

For kitchens utilizing one continuous or a cabinet matching toekick

To prevent damaging the front panel, and before installing the toekick, measurements must be taken to ensure that the toekick will not interfere with the complete opening of the dishwasher door.



The panel overhang (**P**), and toekick depth of recess (**R**), determine the maximum dishwasher toekick height (**H**).

If the panel contacts the toekick while the dishwasher door is being opened, the dishwasher toekick must be cut shorter or recessed deeper.

If (**H**) is equal to or less than the toekick height of the adjoining cabinetry, no interference will exist, provided that (**R**) is at least 3/4".

Note: If a decorative or flush mount toekick is desired, and (**R**) is less than 3/4", other modifications, such as beveling the top rear edge of the toekick, may be necessary.

Dishwasher installation

For kitchens utilizing the included plastic toekick

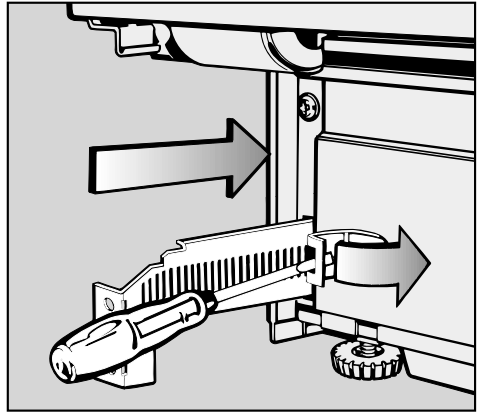
The included toekick will fit without modification when:

- The machine is set to its maximum height (legs fully extended), and
- the toekick is recessed as far as possible (4 ").

If the machine height is less than maximum, or if the toekick is recessed less than 4 ", the toekick must be shortened (see following page).

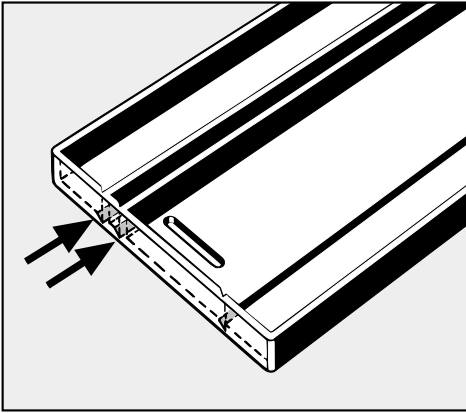
After installation, carefully open the dishwasher door to check that the front panel does not hit the toekick. If it does, remove the toekick and trim it accordingly.

Adjusting the toekick recess.

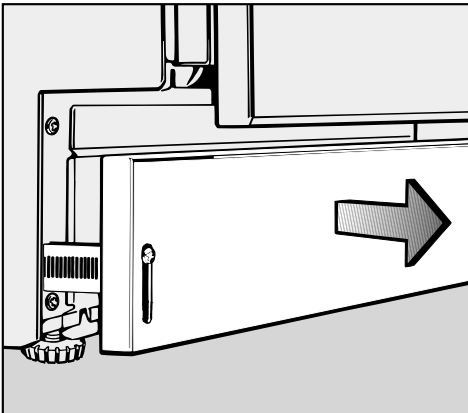


- To adjust the depth (recess) of the toekick, release the tension on the spring clips as shown, and push the mounting brackets included in the installation kit in as far as possible.

Trimming the toekick

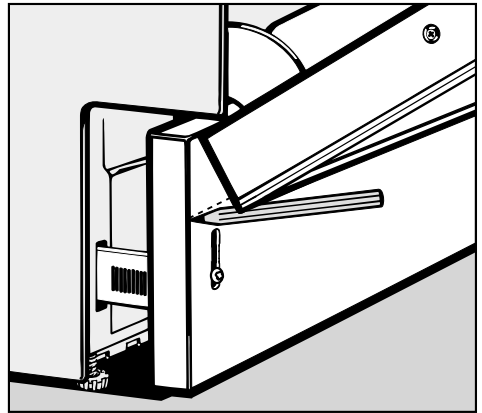


The rear of the toekick has two cutting lines.



- Screw the toekick onto the installed brackets, with the cutting lines towards the top, and pull out evenly until it aligns with the toekick of the adjoining cabinets.

The toekick cannot be pushed back in. It must be unscrewed, so that the tension on the spring clips can be released. The brackets can then be pushed in, and the toekick re-attached.



- Carefully open the dishwasher door until it hits the toekick.
- Using the front lower edge of the door panel as a guide, draw a line across the toekick.
- Unscrew and remove the toekick.
- If one of the cutting lines is close to the line just drawn, score the front of the toekick, and snap off the excess, otherwise, trim the toekick along the line using a saw.
- Screw the toekick back onto the brackets, with the cut edge at the bottom.

If the dishwasher door does not open completely, the toekick may need further trimming.

Electrical connection

It is the responsibility and obligation of the customer to ensure that the electrical and plumbing installation is carried out by a qualified installer in compliance with national and local codes and ordinances.

Disconnect the appliance from the power supply before servicing the machine by pulling the plug or turning off the circuit breaker.

Specifications.

Power Supply: 120 VAC, 60 Hz

Rated Load: 12.5 A / 1500 W

Circuit breaker: 15 AMPS

The unit is equipped with a 5 ft (1.5 m) power supply cord for connection to a 120 V, 15 AMP **grounded** receptacle.

Using an outlet:

- It is recommended that the power outlet for the appliance be installed in a cabinet or on a wall adjacent to the undercounter space in which the appliance itself will be located. An opening through the partition between the compartments of 1 1/2" (3 to 4 cm) can be made to allow the plug to pass through.
- Make certain that there are no rough edges that could damage the power cord. If metal cabinets are used, place the supplied rubber grommet around the edge of the opening before passing the cable through.

- Exercise care when pulling the dishwasher in or out, so as not to damage the power cord or hoses.

GROUNDING INSTRUCTIONS.

THIS APPLIANCE MUST BE GROUNDED.

In the event of a malfunction or breakdown, grounding will reduce the risk of electric shock by providing a path of least resistance for the electric current. This appliance is equipped with a cord having an equipment grounding conductor and a grounding plug. The plug must be plugged into an appropriate outlet that is installed and grounded in accordance with all local codes and ordinances.

WARNING - Improper connection of the equipment grounding conductor can result in the risk of electric shock. Check with a qualified electrician or service representative if you are in doubt as to whether the appliance is properly grounded. Do not modify the plug provided with the appliance; if it will not fit the outlet, have a proper outlet installed by a qualified electrician.

Permanent Connection (Hard Wiring).

For hard wiring, the power cord must be disconnected from the terminal box located at the lower left front of the dishwasher, behind the toe-kick and service panel. Pass the permanent power supply cable through the strain relief and secure it to the terminal box.

Connect:

L1 (Black) to L on terminal block

N (White) to N on terminal block

GRND To ground connector

GROUNDING INSTRUCTIONS

This appliance must be connected to a grounded metal, permanent wiring system, or an equipment-grounding conductor must be run with the circuit conductors and connected to the equipment grounding terminal or lead on the appliance.

Use copper conductors only.

Warning.
Hardwiring the dishwasher should only be done if required by local electrical codes, and then in a manner consistent with those codes. Do not cut the plug off the power supply cord and connect it directly to the house wiring.

Plumbing

It is the responsibility and obligation of the customer to ensure that the electrical and plumbing installation is carried out by a qualified installer in compliance with national and local codes and ordinances.

To help protect your home, all dishwashers that carry the following blue and white sticker are designed to shut off the water and drain the wash chamber in the rare event of an internal water valve failure.

In order for this function to be active, the door must be tightly shut, a temperature must be selected, and the program selector knob must be in the “End” position.



Hot water supply specifications:

Recommended temperature: 120°F (49°C)

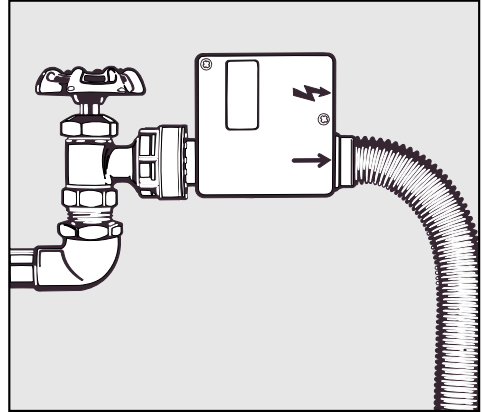
Maximum temperature: 140°F (60°C)

Water pressure: 14.5 - 145 psi (1 - 10 bar)

An air gap is built into the water inlet system to prevent potable water from mixing with waste water.

Hot water connection.

New plumbing:



The water inlet hose comes equipped with a 3/4" female hose thread connector. This can be directly connected to a shut off valve with 3/4" male hose thread ends.

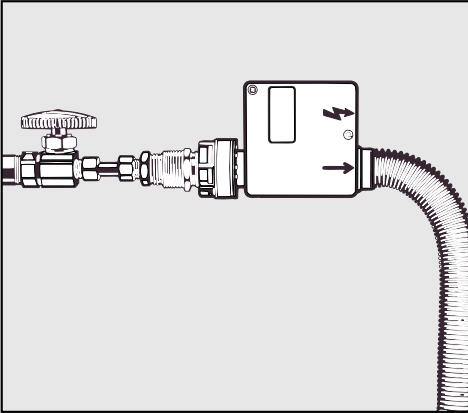
It is preferable that the hose assembly be installed vertically so the hose exits from the bottom of the valve box.

If this is not possible, it can be installed horizontally as shown, provided the hose exit remains beneath the main body of the box (see illustration). (The “lightning bolt” should be above the “arrow” when the installation is complete). The valve box should also be installed so that it is at least 8" (24 cm) above the floor (or base of the cabinet), and so the excess coiled hose will remain lower than the box at all points.

A 2" x 4" (60 x 115 mm) cutout in either the side or bottom of the cabinet adjoining the dishwasher is necessary if the valve box needs to be passed through.

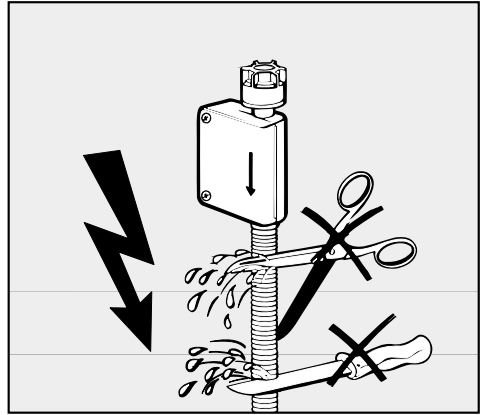
Existing plumbing:

If the standard 3/8" copper plumbing for a dishwasher already exists with a compression fitting and valve as pictured:



- Cut the 3/8" copper tubing after the valve.
- Install the 3/8" compression to 3/4" MHT (Male Hose Thread) adapter (supplied with the machine), as illustrated.
- Connect the inlet hose to the existing valve/adapter assembly.

Electrical wiring and components should not come into contact with any plumbing fixtures or hoses.



Do not, under any circumstances, cut the intake hose. If the hose is cut, the dishwasher will not work, you will have a water leak and you could be injured. If the hose is too long, coil it neatly and place it behind the machine.

Plumbing

Drain system specifications:

The machine comes equipped with:

- A 5 ft. long (1.5 m) flexible drain hose with an internal diameter of 7/8" (22 mm).
- A built-in swivel connector which allows the drain hose to be routed in any direction.
- A built in non-return valve on the discharge side to prevent waste water from flowing back into the dishwasher.
- A built-in odor trap on the discharge side to prevent odors from entering the kitchen.

Maximum drain height: 3 ft (1 m)

Maximum drain hose length: 12 ft (3.5 m)

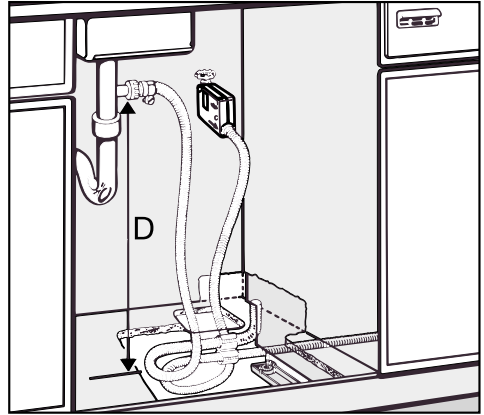
Do not shorten the drain hose.

Electrical wiring and components should not come into contact with any plumbing fixtures or hoses.

IMPORTANT:

The dishwasher should be connected directly to the drain line.

Drain connection:



D = 24" (60 cm) (nominal)

Connect the supplied drain hose to the drain pipe of the kitchen sink either:

A - **above** the trap using the clamp provided, or

B - to the dishwasher connector of the garbage disposal.

When connecting the drain hose to the garbage disposal, make sure to remove the knockout from the connection nipple. (See disposal manufacturer's instructions for this procedure.)

A sample of a correct water and drain installation of a dishwasher is shown.

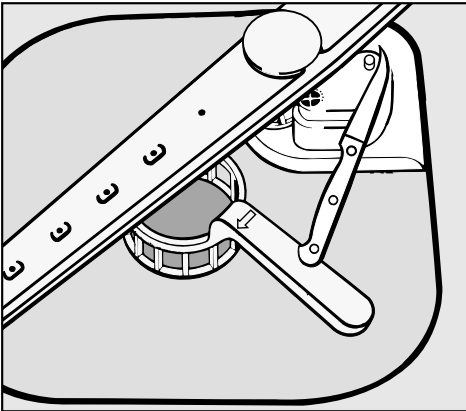
A hose that attaches to a sink spray can burst if it is installed on the same water line as the dishwasher. If your sink has one, it is recommended that the hose be disconnected and the hole plugged.

Venting the drainage system

Only if the dishwasher drain hose is connected to a **floor drain or to a drain pipe that is below the level of the lower baskets wheels**, the drain must be vented; otherwise the water inside of the dishwasher may siphon out during the course of a wash program.

Vent the drain:

- Open the dishwasher door.



- Cut off the vent cap located at the right rear of the dishwasher, behind the filters, as illustrated

Additional note.

Since all Miele dishwashers are equipped with an odor trap and non-return valve, the drain hose can be connected directly to the drain pipe as illustrated.

If plumbing codes require an external air gap on the discharge side of the dishwasher, the following requirements must be met:

- No part of the drain hose should be higher than 39" (1 m).
- If installed horizontally, the drain hose can be up to 12 ft. (3.5 m) long. If the drain hose is angled upwards in any way, it cannot be longer than 5 ft. (1.5 m).
- The drain connection should be made as close as possible to the dishwasher.
- The internal diameter (7/8" or 22 mm) of the drain hose should not be reduced beyond 3/4" at any point.

Technical Data

| | |
|----------------------|---|
| Height | 33 1/8" (84 cm) adjustable to 35" (89 cm) |
| Width | 23 1/2 " (59.8 cm) |
| Width of opening | 23 5/8" (60 cm) |
| Depth | 22 1/2" (57 cm) U and i models |
| Depth with door open | 47 1/2" (120.5 cm) U and i models |
| Weight | approx. 130 lbs (57 kg) |
| Voltage | 110/120 V AC |
| Rated load | 12.5 A / 1500 W |
| Fuse rating | 15 A |
| Water pressure | 14.5 - 145 psi (1 - 10 bar) |
| Hot water connection | 120°F (49°C) (max 140°F (60°C)) |
| Drain height | 3 ft (1 m) maximum |
| Drain length | 12 ft (3.5 m) maximum |
| Power cord length | approx. 5 ft (1.5 m) |

Miele

Miele Appliances, Inc.

National Headquarters

22D Worlds Fair Drive
Somerset, NJ 08873
Phone: 732-560-0899
or 800-843-7231
Fax: 732-560-9649
Internet: <http://www.mieleUSA.com>

Southeast Regional Headquarters

6400 Congress Avenue
Suite 1700
Boca Raton, FL 33487
Phone: 561-995-8030
Fax: 561-995-8083

West Coast Regional Headquarters

680 Eighth Street
Suite 168 - Sobel Building
San Francisco, CA 94103
Phone: 415-241-6820
Fax: 415-241-6822

REGIONAL SERVICE 800-245-8215

Southern California Showroom

189 North Robertson Blvd.
Beverly Hills, CA 90211
Phone: 310-855-9470
Fax: 310-358-0238

Mid West Regional Headquarters

3100 West Dundee Road
Suite 901
Northbrook, IL 60062
Phone: 847-714-9433
Fax: 847-714-9434

Miele Limited

Head Office

55G East Beaver Creek Road
Richmond Hill
Ontario L4B 1E5
Phone Number (905) 707-1171
Fax Number (905) 707-0177
Internet: <http://www.miele.de>

BC Regional Sales Office

3731 North Fraser Way
Unit 200
Burnaby
British Columbia V5J 5J2
Téléphone: (604) 434-1300
Télécopieur: (604) 434-1309