

PureLine Brilliant White
24" Speed Oven

H 6800 BM BRWS



PureLine 24" Speed Oven H 6800 BM BRWS



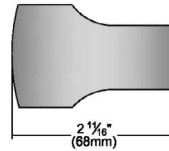
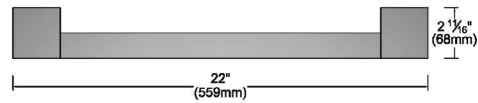
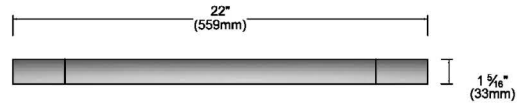
H 6800 BM BRWS

Features:

- M Touch innovative and revolutionary controls are both easy to operate and navigate. An intuitive swipe of the screen will quickly lead you to your desired selection
- 19 operating modes
- Rapid Preheat
- Roast probe for perfect roasting results
- MasterChef menu offers over 100 food types to cook to perfection
- Favorites - up to 20 recipes
- 1,000 watt microwave
- Popcorn button
- Minute Plus button - time and power individually programmable
- PerfectClean interior
- Timer
- Sabbath Program
- The simple yet sleek Silhouette chrome handle seems to float enhancing its modern design lines

Comfort Handle:
Optional with ContourLine

(DS 6708 Item #09828380)

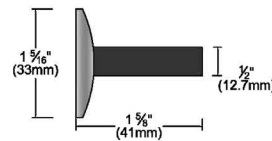
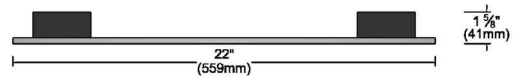
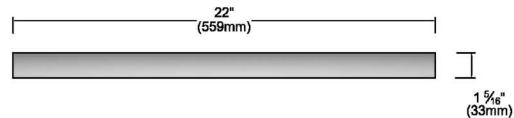


ComfortSwivel Handle:
Standard with ContourLine
Optional for PureLine

(DS 6718 Item # 09828390)

Silhouette Handle:

Standard with Pureline
Optional for Contourline
(DS 6808 Item # 09828400)



Silhouette Handle (Chrome):
Standard with BrilliantWhite
(DS 6808 Item # 09828410)



Silhouette Handle:
Standard with Truffle Brown
(DS 6808 Item # 09870690)

PureLine 24" Speed Oven H 6800 BM BRWS



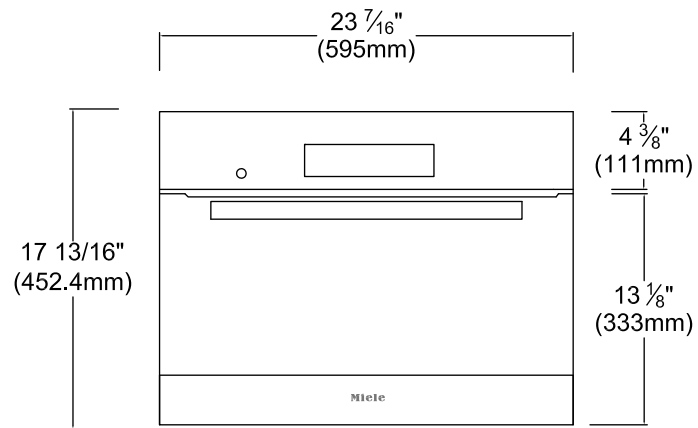
SPECIFICATIONS	
H 6800 BM BRWS – Item 22680014USA	
Overall Unit Width - Excluding Fascia Dimension	22 ¹ / ₁₆ " (560mm)
Overall Height - Excluding Fascia Dimension	17 ¹ / ₂ " (445mm)
Overall Unit Depth - Excluding Fascia Dimension	21 ⁹ / ₁₆ " (549mm)
Oven Door Clearance	34 ¹³ / ₁₆ " (885mm)
Overall Fascia Dimensions	23 ⁷ / ₁₆ " (595mm) W x 17 ⁵ / ₁₆ " (455.5mm) H x 7 ⁷ / ₈ " (22mm) D
Built-In	
Cabinet Width	22 ¹ / ₁₆ " – 22 ³ / ₈ " (561mm – 568mm)
Minimum Cabinet Depth	min. 21 ⁷ / ₈ " (550mm)
Minimum Cabinet Opening Height	17 ³ / ₄ " – 17 ¹³ / ₁₆ " (448 – 452mm)
Minimum Base Support	125 lbs
Additional Cut-outs Required	No
Electrical	
Electrical Requirements	240/208V AC, 60Hz, 20A circuit with Nema 14-30 outlet
Power Cord	Molded NEMA 14-30 configured plug
Cut out for power cord	Minimum 3" square
Electrical Rating	3300W (220V)
Total Amps	16.6A on 240V, 14.4A on 208V
Shipping	
Shipping Weight	126 lbs
Shipping Dimensions	25 ⁵ / ₈ " W (727mm) x 24 ¹³ / ₁₆ " (630mm) H x 27" (686mm) L
Support	
Call	800.843.7231
20/20	📞2020technologies.com

PureLine 24" Speed Oven H 6800 BM BRWS

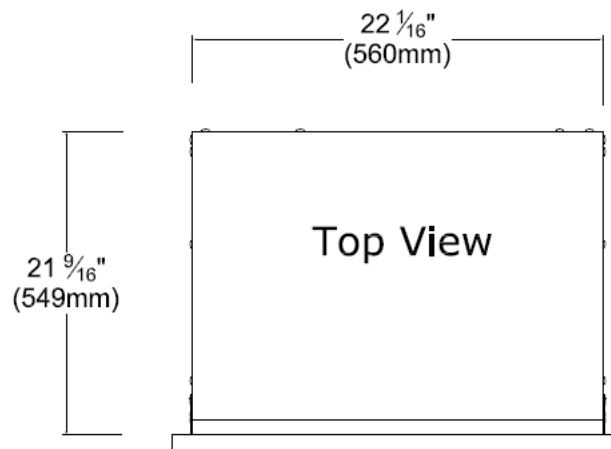


PRODUCT VIEWS

Fascia

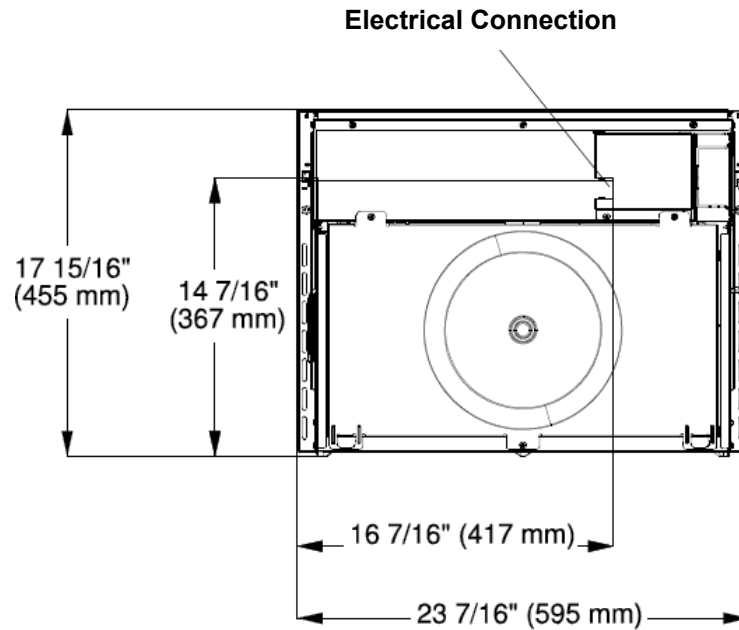


Top View

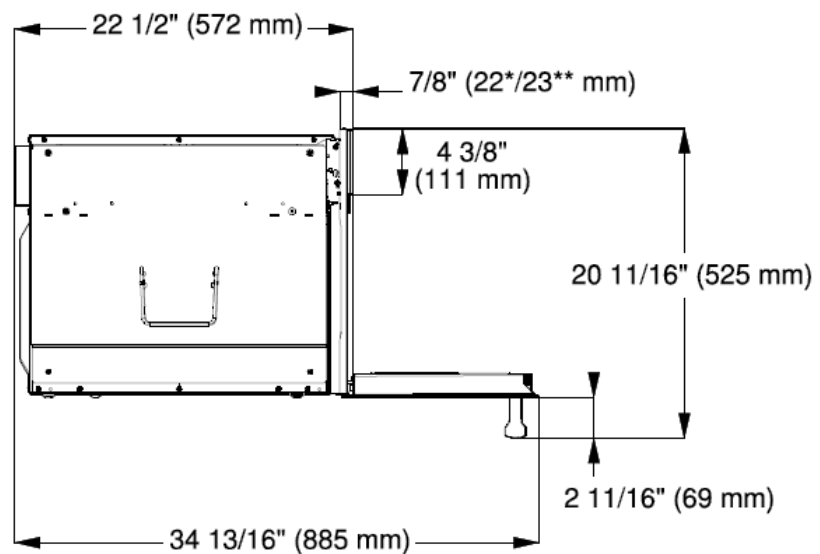


PRODUCT VIEWS

Rear View



Side View



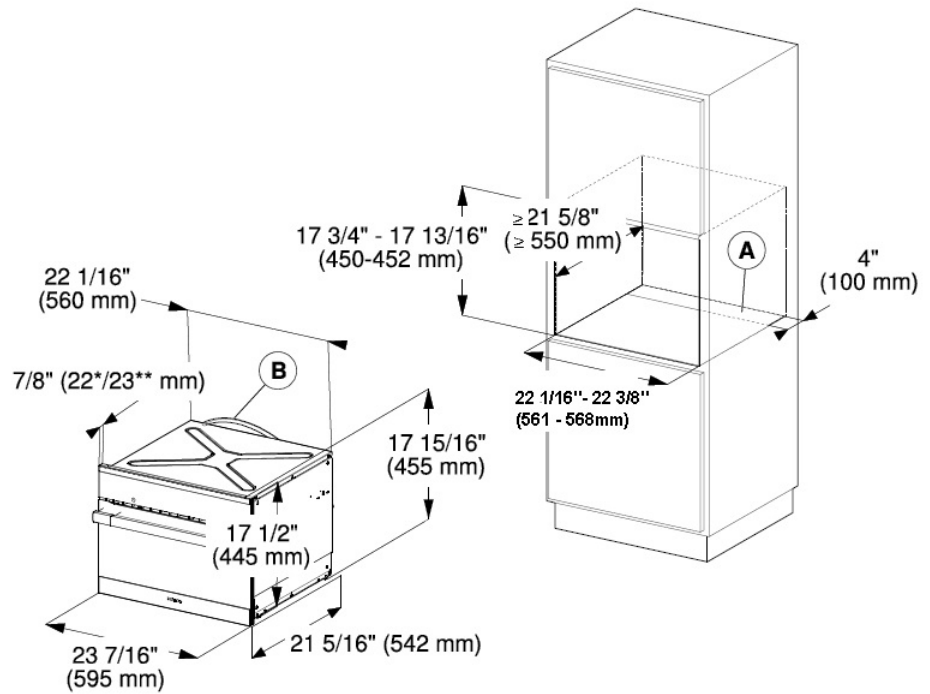
* Oven with glass front
** Oven with metal front

PureLine 24" Speed Oven H 6800 BM BRWS



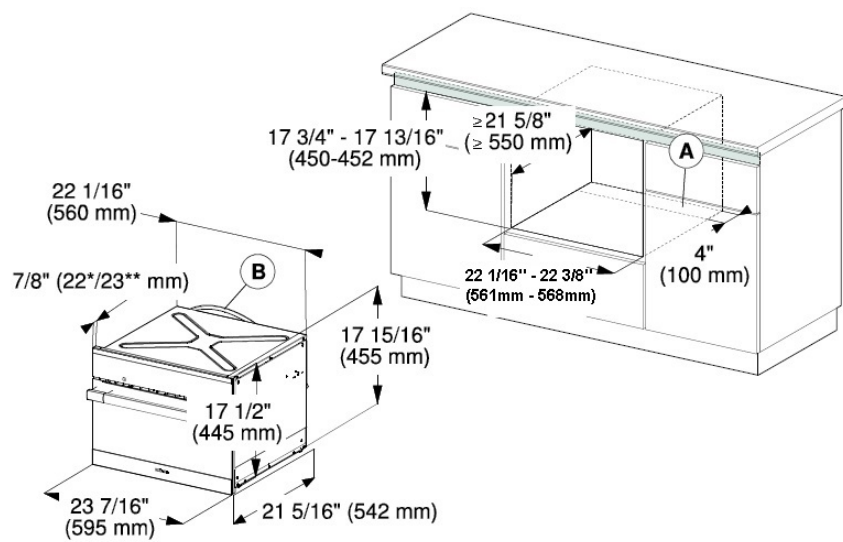
INSTALLATION SPECIFICATIONS

Install in Tall Cabinet



* Oven with glass front
** Oven with metal front

Undercounter Installation



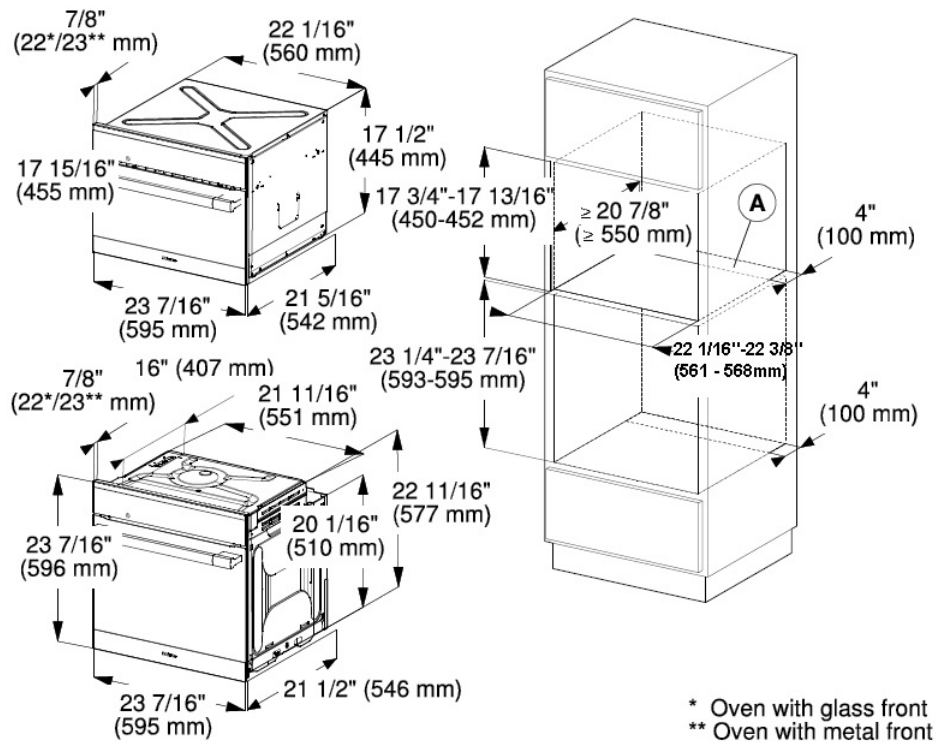
* Oven with glass front
** Oven with metal front

PureLine 24" Speed Oven H 6800 BM BRWS



INSTALLATION SPECIFICATIONS

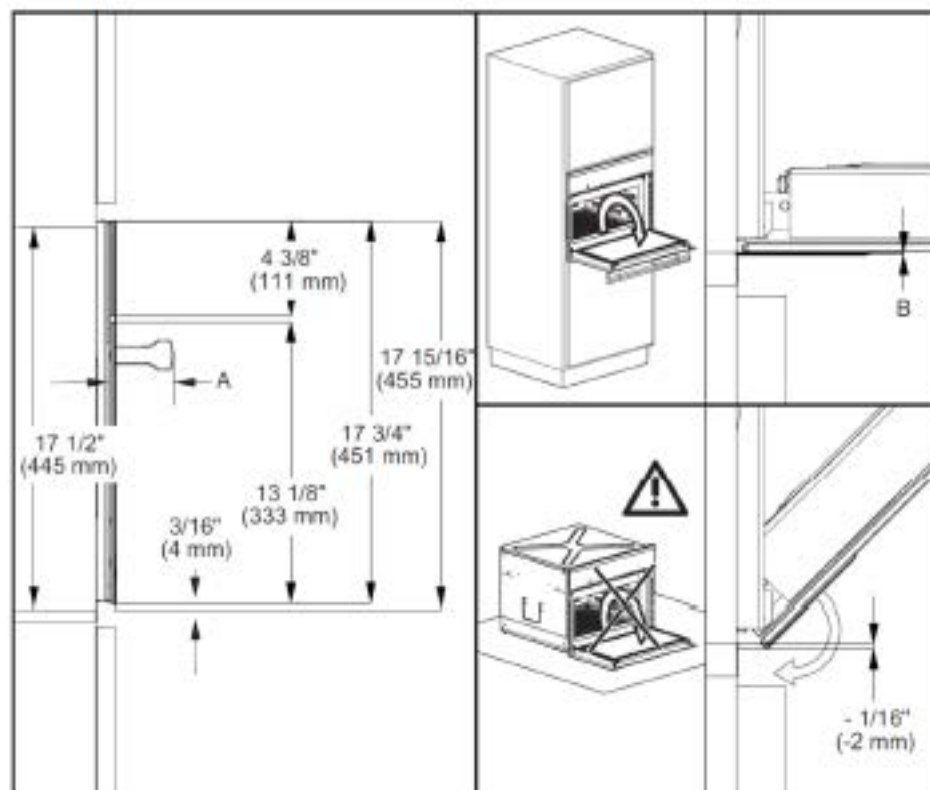
Over 24" Oven Installation



INSTALLATION SPECIFICATIONS

Door Swing

Front dimensions



- A** H67xx: 2 3/4" (69 mm)
H68xx: 1 5/8" (42 mm)

- B** Speed Oven with glass front: 1/16" (2.2 mm)
Speed Oven with metal front: 1/16" (1.2 mm)

