

30" All Gas Range

Model: HR 1124 G / HR 1124 LP



HR 1124 G / HR 1124 LP

Features:

- DirectSelect controls
- M Pro dual stacked burner system with TrueSimmer
- ComfortClean dishwasher-safe grates
- 5 Operating modes including Self Clean
- Twin Convection fans
- Soft Open and Soft Close
- Clean Touch Steel™ front

SPECIFICATIONS

HR 1124 G — Item 25112451USA

HR 1124 LP — Item 25112452USA

Overall Unit Width	29 ¹⁵ / ₁₆ " (760mm)
Overall Height	35 ¹ / ₂ " — 37" (901.7 — 939.8mm)
Overall Unit Depth to front of control panel	26 ¹ / ₂ " (673mm)
Oven Door Clearance	22 ³ / ₄ " (577mm)
Niche	
Minimum Cabinet Niche Width	30" (762mm)
Minimum Cabinet Opening Height	35 ¹ / ₂ " (901.7mm)
Burners	
Gas Burners:	(1) 12,500 BTU; (3) 19,500 BTU
Total BTU Output	71,000 BTU
Gas Line Connection	1/2" NPT
Electrical	
Electrical Requirements	120V, 60Hz, 15 Amps
Power Cord	Yes - NEMA 5-15 plug, 5' 11" (1.8m) long
Shipping	
Shipping Weight	337.3 lbs (153kg)
Shipping Dimensions	37 7/16" (950mm) W x 52" (1,294mm) H x 31 1/2" (800mm) D
Support	
Call Miele	800.843.7231
Miele Website	~www.mieleusa.com
20/20 Link	~2020technologies.com

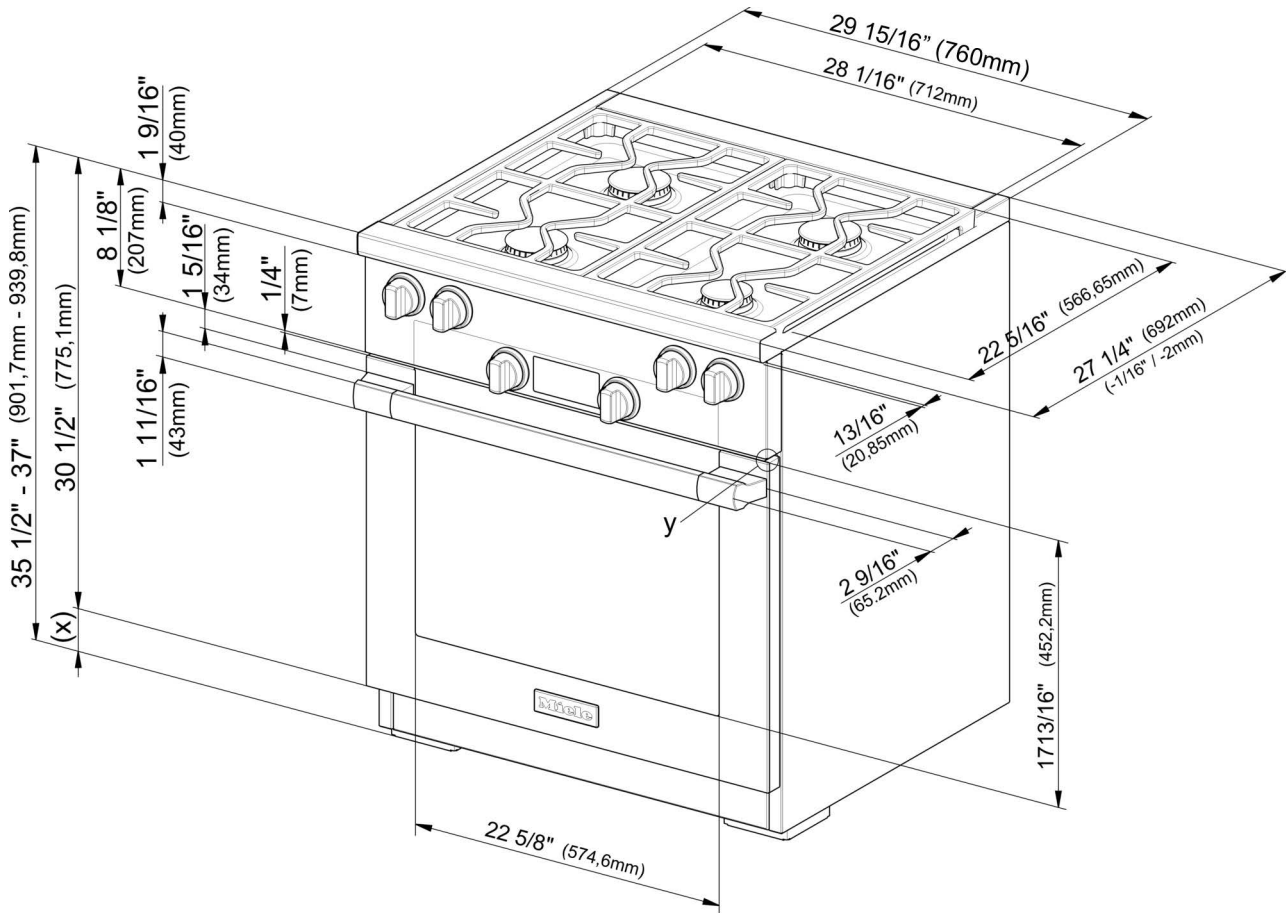
30" All Gas Range

Model: HR 1124 G / HR 1124 LP

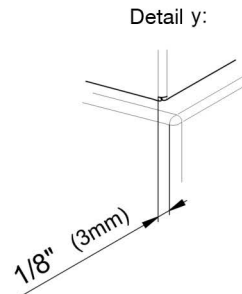


PRODUCT VIEWS

Isometric



(x) = Toe-kick height adjustment 4" - 5 1/2" (101,6mm - 139,7mm)



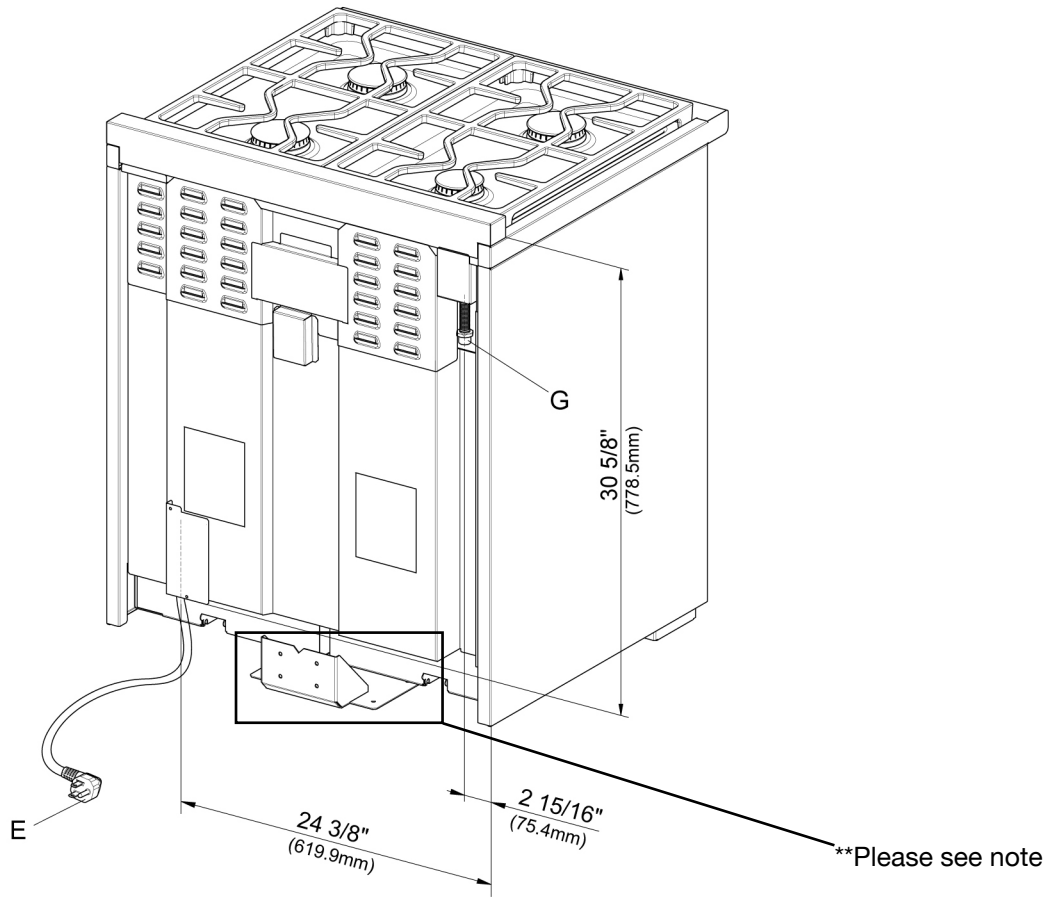
30" All Gas Range

Model: HR 1124 G / HR 1124 LP



PRODUCT VIEWS

Rear View



E = Electrical connection

G = Gas connection

****PLEASE NOTE:** Anti-tip device must be fastened securely in place to all studs or floor. Please refer to the Anti-tip device section in the installation manual for further details.

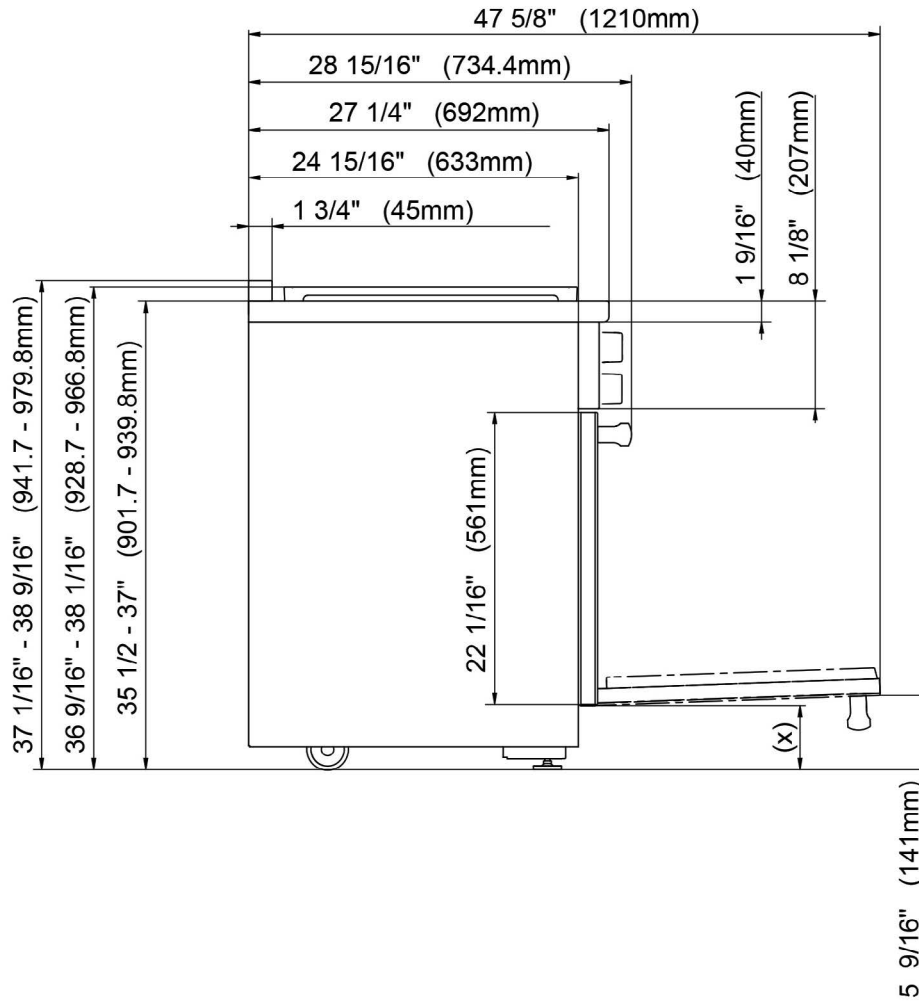
30" All Gas Range

Model: HR 1124 G / HR 1124 LP



PRODUCT VIEWS

Detailed Side View



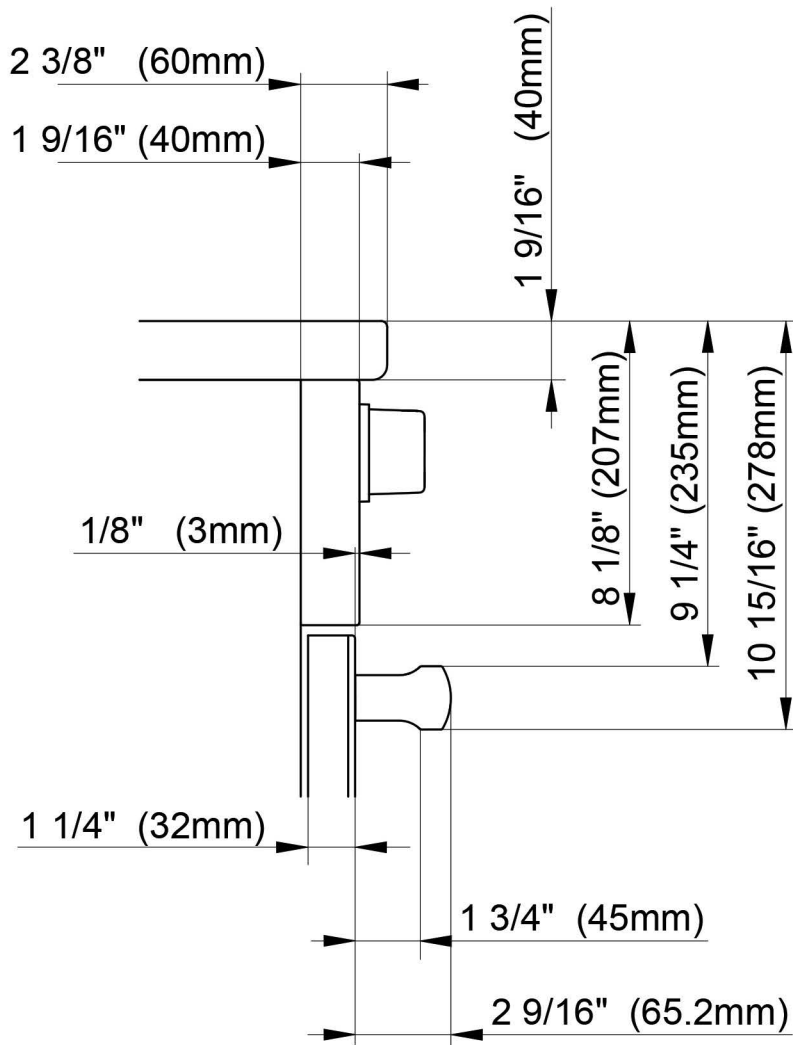
(x) = Depending on the appliance height adjustment: 4" - 5 1/2" (101.6 mm - 139.7 mm)

30" All Gas Range
Model: HR 1124 G / HR 1124 LP



PRODUCT VIEWS

Detailed Bullnose and Handel View



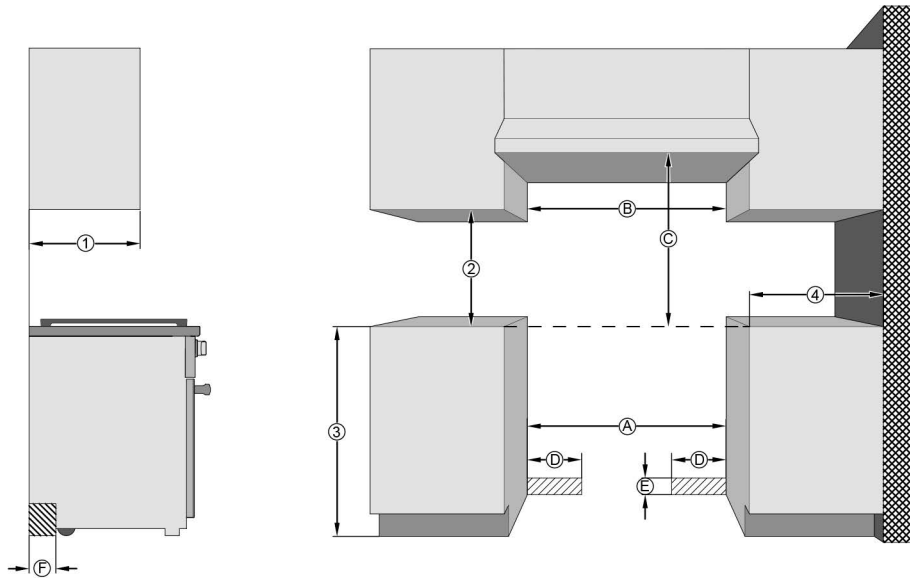
30" All Gas Range

Model: HR 1124 G / HR 1124 LP



PRODUCT VIEWS

Cabinet View



Ⓑ In case of combustible construction, an additional minimum clearance of 6" (each side) is necessary.

Position	Dimension	Description	
①	13" (330 mm)	Maximum depth of top cabinet	
②	18" (457 mm)	Minimum distance to bottom edge of top cabinet	
③	35 1/2"–37" (901 - 940 mm)	Distance from floor to cooktop surface	
④	10" (254 mm)	Minimum distance to combustible surfaces	
Ⓐ	30" (762 mm)	Width of cabinet opening	
Ⓑ	6" + Ⓐ + 6"	In case of the presence of combustible material an additional minimum clearance of 6" (each side) is necessary. Ensure local codes are observed.	
Ⓒ	37" (940 mm)	Minimum distance between the top of the cooking area and the bottom of an unprotected combustible surface.	
	30" (760 mm)	Minimum distance between the top of the cooking area and the bottom of the Miele Range Hood (DAR model with DRxB XL Blower).	
For all other Hoods, please consult with manufacturer's instructions for required distances.			
Ⓓ	approx. 10 13/16" (274 mm)	Maximum connection width right and left	Location of wall receptacle
Ⓔ	approx. 4 1/2" (115 mm)	Maximum connection height	
Ⓕ	approx. 2 13/16" (72 mm)	Maximum connection depth	