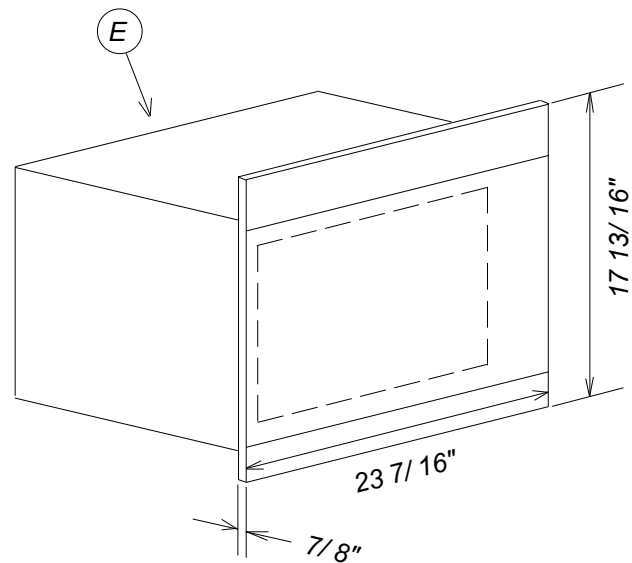
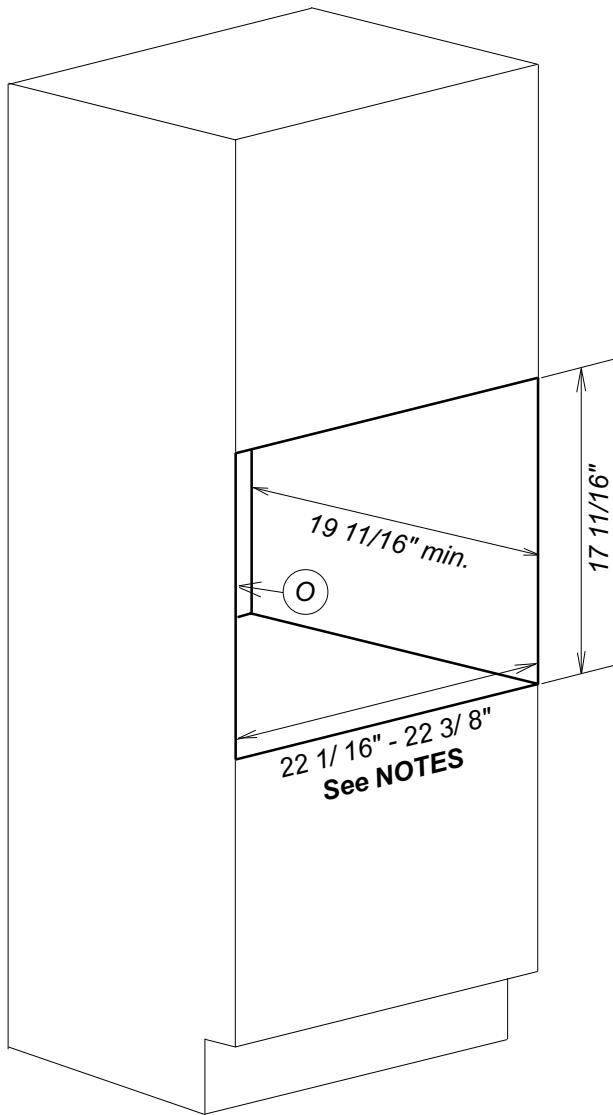


Product and Cut-out Dimensions Microwave Oven

M8260-1



| Location Codes | |
|--|--|
| E | 5 foot electrical main with plug connects upper rear right side |
| O | 120 Volt - 15 Amp 3 wire connection with NEMA 5-15R. Location must be accessible |
| Notes | |
| <ul style="list-style-type: none"> Width with optional EBA Trim Kits: EBA5470MC 26" - 26 1/4" EBA5476MC 28 3/8" - 28 1/2" All installations must be done in accordance with local codes. | |

NOTE: Drawing is not to scale.
SPECIFICATION SHEETS 150306